



Richter Spielgeräte GmbH
English

“Play is an activity that is satisfying in and for itself” (Immanuel Kant)

Welcome to Richter Spielgeräte GmbH

Expertise

For over 50 years our expertise has been directed towards the planning, designing and equipping of attractive and child-friendly play spaces. In our family-run and craftsman-orientated business, we produce unique play equipment, which is far removed from industrial manufacturing processes, based on our knowledge of wood and our skills in working with it.

History

The beginning of our business activities in the sixties was shaped by our characteristic wood play equipment – and this remains true today. The designs of our play houses, trains, horses and towers originated during this time and have left their mark on the playground equipment landscape. Over the years we have not only added slides and swings but also large pieces of equipment such as ships and castle complexes, our acoustics and water-play equipment as well as special equipment for young people, small children, seniors and wheelchair users. Based on our equipment exclusively manufactured from wood, we have been developing more and more exciting combinations from a range of different materials such as stainless steel, concrete, stone and cable.

Social responsibility

We consider the provision of play spaces to be a social necessity. Above all, it is children who need play to help to develop their personalities; however, also young people and adults find stimulation and relaxation in play.

When we design play equipment we put play value first. Our aim is to provide our play offers with very stimulating character and enduring play incentive to ensure that there is a basic desire to play. Moreover, with our play equipment, we aim to promote the development of children’s capabilities as well as their social and motor skills. Above all, however, children should be given the chance to become absorbed in play, and our equipment should be fun and enjoyable.

Catalogue

In our new main catalogue, we would like to present our complete product programme with tried-and-tested but also innovative play equipment. More detailed information on our individual equipment can be found in our theme catalogues: **The Child at Play, Water and Play, Acoustics and Play, For the Very Young, Movement by Climbing, Growing Older and Graubner Play Stations for Developing the Senses** as well as at www.richter-spielgeraete.de.

Frasdorf, October 2015
Richter Spielgeräte GmbH



Notes	Quality criteria Wood quality criteria for larch wood Surface Types · Impact Absorption Playing together barrier-free Explanation of icons Alphabetical Search Index
A Standard Combination Elements for Individual Play Installations	Huts Towers Platforms Combinations · Examples Triangular Platform Special Towers
B Big Playthings for the Very Young	Vehicles Play houses and small platforms Animals and animal-shaped platforms
C Sand · Water · Mud	Working with sand and water Pumping and splashing Channels · basins · mud tables Damming · channelling · propelling Transporting water Being carried by water
D Movement	Cableways Turning Swinging · swaying · rocking Jumping · see-sawing · wobbling Balancing Sliding Climbing Free-standing bridges
E Sound and Acoustics	
F Large and Special	Ships Play constructions
G Additional Equipment	Meeting points Playful competition Drawing Sensory experiences
H Other Useful Information	On the topics of materials: wood · rope · stainless steel



de-barked posts

de-barked means: bark, cambium and sapwood are removed, by this, the natural shape and unevenness of the timber is preserved



angle cut

vertical support posts with angle cut in the end grain section as constructive wood preservation



perforated

the earth/air zone of the wood is perforated by small bore holes to ensure that the impregnating agent penetrates this particularly endangered zone



Fürstenberg Permadur System

In particular cases such as equipment with a single support and with climbing forest posts we additionally use the patented Fürstenberg Permadur System



core-free timber

sawn timbers core-free, by that formation of cracks can be reduced



claddings

thickness (larch 4 - 5 cm, spruce/fir 3 - 5 cm), de-barked by hand, by that, the natural surface of the tree remains perceptible



tongue and groove

platform boards of 40 mm tongue and groove boarding



laminated wood

laminated wood glued according to DIN 1052



hardwood rungs

climbing rungs of hardwood, milled and mortised, Ø 42 mm



plywood

three-layer waterproof plywood of larch, 30 mm, four-layer 40 mm



one-piece construction

total construction of slide of 2 mm stainless steel, mould-profiled longitudinally, no welding seams along the slide surfaces, side walls, glass bead blasted



rubber seat

rubber seat with anatomically correct shape, strong profiled steel insert and soft shock absorbing edge



pendulum seat

with large rubber surface, with a soft, protecting edge and steel insert



impact absorbing

swing platform of waterproof plywood, 30 mm, covered in milled-off half-tyre for impact absorption, 4 suspensions held with a metal ring



milled-off tyres

milled-off tyre segments to make the elements clean, smooth, soft and light



Corocord® rope special ropes of "Hercules type"

six-strand Corocord® rope of the special "Hercules type", abrasion protected through heating of the six steel strands and melting the polyamide sleeve onto them



Hercules rope

a combination of steel and polyester or polyamide yarn is used to manufacture the sleeve. Four or six strands depending on usage



aluminium swages

double-conical aluminium swages with rounded-off ends



S-clamps

neatly rounded Corocord®S clamps made of stainless steel, Ø 8 mm



swing joint

drop-forged and hot-dip galvanised swing joint with bush with graphite sleeve for self-lubrication and integrated swivel



universal joint

drop-forged and hot-dip galvanised joint yoke; the universal joint insert consists of two swing bearings



rope connection rotating

close fitting connection without dangerous openings, with integrated swivel, the bearing consists of one brass bush



rope connection fixed

close fitting connection without dangerous openings



rope connection with joint

close fitting connection without dangerous openings; the bearing consists of one brass bush



rope connection ball joint

this rope connection with a ball joint prevents the unravelling and thus rapid wear of ropes subjected to stress



double rope connection

the double rope connection is an effective and durable construction for complicated swing and swivel motion



concealed head

large surface for pressure distribution, prevents water from getting inside, protects the bolt head



adjustable

no projecting threads after re-tightening due to two-piece bolt connection and therefore easy to maintain



strong fastening

bolt connections with milled metal rings for connections which are stressed cross-wise



end grain connectors

special adjustable fittings for connecting horizontal timbers to standing timbers



brass bush

for all to and fro movements we use bush bearings which allow for self-lubrication while in use and which can be easily exchanged in case of need



steel reinforced rubber belt

two way steel armoured rubber belt, almost indestructible, total thickness approx. 11 mm

**tensioning device**

the cable goes over a winch in a big radius. Thus the tensioning adjustment can easily be done by one person

**travelling crab**

our travelling crab is made in a sandwich construction. Due to its isolated mechanism, sound proof working is ensured. The travelling crab can be installed without dismantling the cable

**special lifting cable**

for our cableways we use a special lifting cable made of pure steel which is irrotational, impregnated, length-stable and bending stress resistant

**ground anchor**

all parts used for anchoring to the ground made of hot-dip galvanised steel

**ground anchor**

foundation anchor made of phenol resin paper based laminate

**crossbar**

of hot-dip galvanised steel, with rigid corner connection by that smaller foundations are possible

**chains**

suspended on short-link chains, welded before hot-dip galvanisation (stainless steel chains available on request)

**distance fitting**

to avoid entrapment of chords

**Starting element of slides**

enlarged entry with climbing structures for a safe change from climbing to sliding

**relief cut**

parts which are not core-free have a kerf sawn at a suitable section of the trunk to pre-empt cracks that would form naturally or a bore hole as relief

**ball bearing**

low-maintenance ball bearings

Richter Wood Quality Criteria for Larch Wood

Origin

Exclusive use of mountain larch (bot. *larix decidua*) from the Alps. It grows 1000 - 1800 m above sea level and comes from sustainable forestries. Since October 2001 our wood supplier is certified according to EN 45011 PEFC. The certificate confirms that the produced and traded sawn and round timbers come from sustainable forestry.

According to an official ranking, larch is a moderately rot-resistant type of wood - considerably less durable than oak or, particularly, robinia.

However, there are different kinds of larch. The larch which we use for our production grows in the mountains at a height of more than 1000 m above sea level. Therefore, it has considerably better wood physical properties (and thus should actually be called *larix decidua montania*).

This advantages of this mountain grown larch are considerable:

- less resin galls,
 - less splinters,
 - closer year rings,
- thereby higher stability and enhanced durability.

Felling time

Our larch trees are felled in winter so that the cut wood can dry before fertile fungus spores, which can lead to early decomposition, appear.

Corning

During the natural ageing process of the tree, core materials are deposited in the wood. This corning is responsible for the rot-resistance of the mountain larch. Good corning and therefore suitability for ground insertion is recognisable to our colleagues by the red colour of the wood.

Sapwood

We have tightened the Richter wood quality criteria. Timbers of mountain larch are delivered practically without sapwood.

Year rings

Wood with close year rings is more resistant to rot. Wood intended for ground insertion and for horizontal beams has particularly close rings. Our poles have at least 8 year rings in the outer 2 centimetres.

Evenness

We ensure that poles inserted into the ground and horizontal beams have centred rings so that close ring wood lies near the outer edge. We do not permit an eccentricity of the piths of greater than 3 cm.

Fungal attack

Occasionally even a standing tree is attacked by fungus. Such wood only gives limited durability, which is why we carefully sort it out.

Wood moisture

Wood-destroying fungi require high levels of moisture in the wood. We increase the lifespan of our wood through natural open-air drying. Advanced drying in the poles is demonstrated by the appearance of splits. Our sawn timber is already dried to 20 % of original wood moisture before it is used for construction.

Since 1989 we have manufactured much of our wooden play equipment of unimpregnated mountain larch. Our play equipment made of unimpregnated poles of mountain larch stands as a rule on steel feet. For short vertical pole length we do without steel feet construction more and more. For square timbers inserted into the ground we use oak core timber. The end-grained timber surfaces are cut on the cross and covered with paraffin wax.

All equipment printed in red in our price list is made from unimpregnated mountain larch which has been selected according to the eight Richter quality criteria.



Promoting
Sustainable Forest
Management
www.pefc.org

Minimum requirements for surfacing materials, impact absorption and fall protection

For safety reasons, equipment that has a greater fall height than 600 mm must be installed on surfaces with specific impact-absorbing properties.

As the fall height increases, so must also the impact-absorbing qualities of the designated surface types (see following diagram), i.e. greater fall height requires 'softer' ground.

When selecting the type of surfacing, not only safety requirements have to be taken into consideration, but also whether this type of surfacing meets requirements regarding the desired play function and the intended play value.

For example, very low equipment (fall height < 600 mm) for sand games such as the Excavator, Sand Hoist, Crane etc. must naturally also be installed in sand for play value and functional reasons, even though e.g. asphalt or concrete may be sufficient in terms of safety.

The fall height of each piece of equipment is indicated in the price list. However the actual fall height may differ depending on the structure of the ground. The diagram offers support for selecting the right surfacing taking into consideration the following criteria

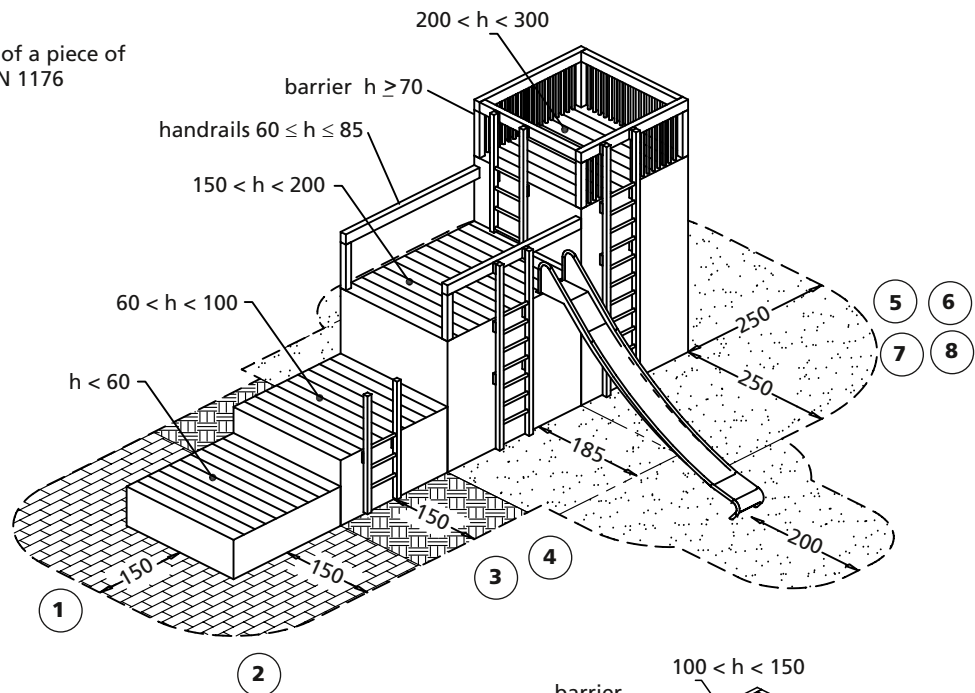
- play value
- safety (impact absorption)
- easy maintenance
- costs

For reasons of safety, it is especially important to choose surfacing that has impact-absorbing properties corresponding to the existing fall height.

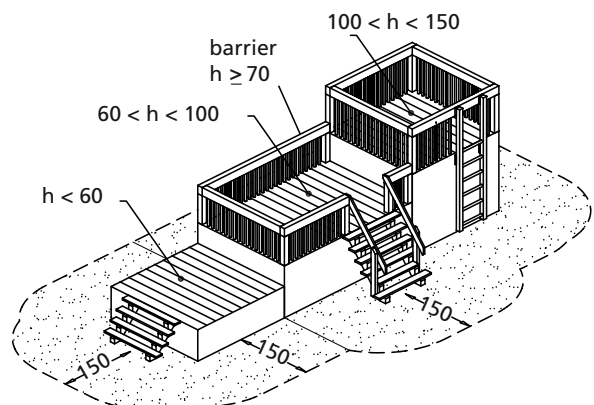
What we mean when we say "fall height < 600 mm" is that the fall height does not exceed 600 mm. "No fall height" for us means < 200 mm (height of a step).

In individual cases, e.g. for certain equipment such as the Rotating Beam, Belt Path, Balance Blocks or Jumping Disc, we recommend the surfacing has impact absorption better than concrete/stone in spite of a fall height of < 600 mm.

Rough schematic diagram of a piece of equipment according to EN 1176



Rough schematic diagram of a piece of equipment according to EN 1176
Recommendation – easily accessible



- 1 Concrete/stone
- 2 Bituminous surfacing materials, refer to DIN 18 317, DIN 18 354 and DIN 18 560 part 1 (corresponds to asphalt).
- 3 Topsoil (previously termed natural material), refer to DIN 18 915, DIN citation: The topsoil is the topmost layer of ground surfacing formed through physical, chemical or biological processes. It is especially well suited for vegetation and serves to accommodate the roots and seed of plants that are typical for the location, such as e.g. trodden-on grass.
- 4 Grass, refer to DIN EN 1176, 4.2.8.5.2. Note 1, citation:
 "In addition to its aesthetic effect, grass also has useful impact-absorbing properties. Experience has shown that if it is well maintained it is generally effective for free fall heights of up to 1 m and can be used without the necessity of carrying out tests. For fall heights above 1 m, the property of the grass as an impact-absorbing surface depends on the local climatic conditions."
 For information on the construction of grass surfacing, refer to DIN 18917 (also see DIN EN 1176, Appendix F, F3.3 impact-absorbing surfacing).
- 5 Bark mulch consists of broken bark of conifers, grain size 20 mm to 80 mm.
- 6 Wood chip is mechanically broken wood (no wood-based materials) without bark and leaf components, grain size 5 mm to 30 mm.
- 7, 8 Sand and fine gravel must have the following properties:
 - grain size for sand, minimum of 0.2 mm and maximum 2 mm,
 for fine gravel, a minimum of 2 mm and maximum 8 mm (according to EN 933-1)
 - without silt or clay parts (refer to DIN 18 196)
 - ratio of uneven grain size $U < 5$ (refer to DIN 18 196)
- 9 Other materials or other thicknesses are possible if the corresponding HIC testing in accordance with EN 1176 has been carried out.

The following minimum requirements apply:

0–60 cm	without forced movement: concrete, stone, bituminous surfacing materials
60–100 cm	topsoil
100–150 cm	grass
above 150 cm	sand, gravel, wood chips, bark mulch and synthetic fall protection with the appropriate impact-absorbing property

Playing together barrier-free

Each person is unique and everyone has special skills, strengths and weaknesses. This is especially true for people who have disabilities. Nevertheless everyone should be able to live a self-determined life. We shouldn't try to overlook "otherness" but rather consider it to be an opportunity and not make anyone into an outsider.

Play activities in particular offer a great deal of potential to learn from one another. For example people who are deaf often have a heightened visual sense, while those who are blind frequently have better hearing and taste senses. People who have Asperger's syndrome, and are not suffering too great a developmental disorder, often have phenomenal memories.

Playing together with people with disabilities is an enriching experience from many perspectives. Perhaps this sense of otherness is exactly what is needed in our society – fixated as it has become on speed and performance – as a means to slow down. Adequate space is a prerequisite for this, especially in public areas.

First and foremost, the framework conditions must be in place before mutual play activities are possible. This is especially important when it comes to pathways and ground surfacing at playgrounds.

For play offers, we differentiate between:

Please note that in many cases, support is required by an accompanying person.

- Playground equipment that provides unusual exercise opportunities to people with physical disabilities, such as the wheelchair swing, special see-saws, swings and bridges.
- Playground equipment that provides people with a disability with an especially valuable experience, such as accessible sand play equipment, partner swings with a special seat, the large balancing disc, rotating plate, rope nest and cradle nest.
- Playground equipment that allows people with a disability to create an effect by themselves, e.g. much of the water play equipment, particularly the play gutters and play tables (easily accessible by wheelchair users), water push buttons, lever pumps, mushroom pumps, water wheels and many more. Also our stroking stones, wobbly sheep, range of bell towers, wind pumps, sound instruments and drawing boards are all worthy of consideration. All the stations from the theme catalogue "graubner Play Stations for Developing the Senses" are extremely suitable.

Because there are so many different forms of disability, a whole range of factors need to be taken into consideration during the planning and design process.

One thing is true in any case: just being present is a valuable experience for everyone.

Barrier-free

The equipment marked with this icon is suited for people with a disability.



- special exercise experience
- with a carer
- independent play

Explanation of following icons



Videos

You can find videos on our website for the equipment marked with this icon.



Young People

The equipment marked with this icon is also especially suited for young people.

Alphabetical Search Index

Order No.	Item	Chapter	Page
A			
w/No.	Adventure playground in Luxemburg municipal park	F 1	541
5.20500ff.	Archimedes Screws	C 5	287ff.
5.51000ff.	AQuadrat®	C 3	262
B			
4.24173	Baby Elephant	B 3	169
6.51700	Balance Blocks	D 5	423
9.15100	Ball Labyrinth	G 2	595
5.20950	Ball Valve	C 4	271
6.99000	Ball Wall	G 2	601
5.28031	Bar Gate	C 4	279
5.10100ff.	Basic Elements of Wood for Water Playgrounds	C 3	249ff.
5.14800	Basin with Transverse See-saw	C 3	256
6.99100	Basketball Net	G 2	603
6.11600	Beam See-saw	D 4	405
7.90000	Bell Climbing Poles	D 7	485
9.02510	Bell Tower	E	525
6.64700ff.	Belt Paths	D 4	397
9.20000ff.	Benches	G 1	577
4.90000	Big Bird Platform	B 3	183
5.15920	Big Bucket Wheel	C 4	267
4.08200	Big Chicken with Net	B 3	179
4.08304	Big Fish with Small Children Slide and Ramp	B 3	177
3.17000	Big Hexagonal Hut with Roof	A 1	7
3.28700	Big Hexagonal Platform	A 3	53
4.10200ff.	Big Play Houses	B 2	131
3.43000	Big Pyramid Tower	A 6	111ff.
4.24100	Big Railway	B 1	117
6.70000	Big See-saw Platform	D 4	413
6.61000	Big Suspension Bridge	D 8	491
8.05000	Big Wooden Plane	F 2	545
5.28030	Board Gate	C 4	279
6.06500	Bouncing Flower	D 4	395
6.52500	Bow Bridge	D 8	489
5.01000ff.	Building Sites	C 1	205ff.
C			
6.01050	Cableway with Ramp	D 1	307
5.28045	Canal Lock	C 4	277
6.18460	Car Tyre Swing	D 3	369
6.26502	Carousel with Seating Ring	D 2	323
3.22000	Castle Tower	A 6	109
4.24210	Cat	B 3	151

Order No.	Item	Chapter	Page
5.00010	Caterpillar type 01	C 1	199
5.00015	Caterpillar type 02	G 4	609
5.00020	Caterpillar type 03	C 1	201
5.00025	Caterpillar type 04	C 1	203
6.52000ff.	Chain Paths	D 4	429
5.10400	Channel with Shutter	C 3	252
5.12800	Channel with transverse See-saw	C 3	252
5.10300	Channel with two-way seal	C 3	252
5.10200	Channel with wedge seal	C 3	252
w/No.	Chevetogne Ship	F 1	539
4.24260	Chicken Family	B 3	149
6.11900	Circular See-saw	D 4	415
10.8000ff.	Climbing Forest	D 7	475ff.
4.20000	Climbing Loom	D 7	487
6.51800ff.	Climbing Ropes	D 4	427
6.51001ff.	Climbing Structures	D 7	451ff.
7.77010	Climbing Walls with 2 elements	D 7	483
7.77060	Climbing Wall with 4 elements	D 7	483
w/No.	Coastal Ship	F 1	537
6.46000	Combination of Whisk, Rope Bar and Vertical Climbing Net	D 2	337
5.18250	Concrete Well for Pedal Pump	C 2	231
6.14500	Cradle Nest	D 3	357
6.14520	Cradle Nest special	D 3	357
6.10100	Cross Scales	D 4	407
8.03100	Cutter	F 1	527

D

5.20900	Dam of Wood	C 4	269
5.20908	Damming Disc	C 4	273
5.20910	Damming Wedge	C 4	269
9.06000	Dance Chimes	E	497
4.24250	Dancing Mice	B 3	149
9.10600ff.	Distorting Mirror	G 4	611
6.43000ff.	Double Hammock Seat	D 3	383
6.11610	Double See-saw	D 4	405
4.90020	Dragon Platform	B 3	187
4.24450ff.	Drawing Boards	G 3	605
4.24457	Drawing Table	G 3	607
4.24240	Duck Family	B 3	149
4.05500	Dwarf Castle	B 2	129
4.06000	Dwarf Hill	B 2	145

Order No.	Item	Chapter	Page
E			
4.90030	Elephant Bumba	B 3	189
8.99210	Elephant with Trunk Slide	B 3	181
w/No.	English Narrowboat	F 1	538
w/No.	Examples for Crossings	D 8	495
5.30000ff.	Excavators	C 1	221
7.14000	Extra High Swing	D 3	351
7.14020	Extra High Swing special	D 3	353
F			
9.07000	Ferraphone	E	515
4.90010	Fish Berta	B 3	185
5.41020ff.	Flow Tables	C 4	285
5.27010ff.	Forest Fountain	C 2	243ff.
9.15000	Four in a Row	G 2	593
G			
8.76000	Giant Elephant with Tunnel Slide	F 2	559
7.25000	Giant Revolving Disc	D 2	333
6.00001	Giraffe Swing	D 3	355
6.98000	Goal	G 2	601
6.01110ff.	Grand Arch Cableways	D 1	305
H			
3.16100ff.	Hexagonal Huts	A 1	5
3.28100ff.	Hexagonal Platforms with elements for combination	A 3	51
6.31000	Hexagonal Rocking Plate	D 4	417
6.17000	Hexagonal Swing	D 3	361
6.17020	Hexagonal Swing special	D 3	363
3.20900	Hexagonal Tower with lockable equipment room	A 6	105
7.75004	High Balancing Rope	D 4	437
6.13000	High Swing	D 3	349
6.13020	High Swing special	D 3	349
6.14000	High Twin Swing	D 3	349
6.14020	High Twin Swing special	D 3	349
6.96000	Horizontal Bars	G 2	601
5.28020	Horizontal Millwheel	C 4	277
4.24130	Horse	B 1	125
4.10700	House Group A	B 2	137
4.10900	House Group C	B 2	139
2.12150	Hut Combination 215	A 4	79
2.12160	Hut Combination 216	A 4	80
2.12170	Hut Combination 217	A 4	81
2.13200	Hut Combination 32	A 4	82

Order No.	Item	Chapter	Page
2.13500	Hut Combination 350	A 4	83
2.13710	Hut Combination 371	A 4	84
2.14700	Hut Combination 47	A 4	85
3.12100ff.	Huts for combination with standard elements	A 1	1ff.
I			
9.05500	Instrument for All	E	513
5.18052	Intake Container for Splash Pumps	C 2	235
J			
6.50600	Jackstraws See-saw	D 5	433
6.06000	Jumping Disc	D 4	389
K			
9.08000ff.	Kling Klang Discs	E	517
L			
5.30000	Large Excavator	C 1	221
6.01100ff.	Large Gated Cableways	D 1	303
3.53000	Large Pentagonal Tower	A 6	115
6.26402	Large Spinner	D 2	317
4.10400ff.	Large Timber Houses on Stilts	B 2	133
8.02000	Large Two-Masted Ship	F 1	534
5.28000	Lever Pump	C 2	229
7.89700	Lifting Equipment	G 2	599
4.24175	Lion	B 3	169
4.90040	Lion Leo	B 3	191
4.08100	Little Chicken	B 3	153
4.08110	Little Fish	B 3	153
4.06010	Little Mountain	B 2	147
4.24235	Little Snail	B 3	161
5.18500	Little Whale	C 2	237
w/No.	Little York	F 2	557
5.20930	Lock Gate	C 4	271
3.21500	Look-Out Tower	A 6	107
7.15000	Lounging Logs	D 4	431
M			
11.01500	Marbles Table	G 2	589
7.16000	Maypole	D 2	341
6.26401	Medium Spinner	D 2	317
7.82300	Meeting House	G 1	587
8.01000	Metal Ship „Sand“	F 1	531
3.52000	Middle Pentagonal Tower	A 6	115

Order No.	Item	Chapter	Page
3.42000	Middle Pyramid Tower	A 6	111ff.
5.15810ff.	Mill Wheels	C 4	265
w/No.	Mini-Kado	F 2	555
9.41010	Mirror Cylinder	G 4	613
9.10020	Mirror Rotunda	E	521
5.21800	Mobile Water Playground	C 4	263
8.79000	Mountain Guard	F 2	551
4.24190	Mouse	B 3	151
9.14000	Morris Table	G 2	591
5.14700	Mud Trough	C 3	256
6.12600	Multi-surface Swing	D 3	347
6.12620	Multi-surface Swing special	D 3	347
6.12800	Multi-surface Twin Swing	D 3	347
6.12820	Multi-surface Twin Swing special	D 3	347
5.18030	Mushroom Column Spring	C 2	227
5.25500	Mushroom Fountain	C 2	241
5.18000ff.	Mushroom Springs	C 2	227
9.02420	Musical Path	E	503
N			
5.42050	Nautilus Snail	C 5	295
8.02020	Nile Galley	F 1	535
9.14010	Nine Men's Morris Table	G 2	591
O			
7.79000	Octagonal Tower	A 6	103
9.40100	Open Kaleidoscope	G 4	615
3.67000ff.	Open Slides	D 6	445
8.85000	Ornithopter	F 2	543
P			
9.15200	Pairs	G 2	597
9.05000	Parabolic Reflectors	E	511
7.67000	Partner Pendulum	D 3	381
5.18100ff.	Pedal Pumps	C 2	231
5.24520ff.	Pedestal Pipes	C 3	259
3.52000ff.	Pentagonal Towers	A 6	115
4.24140	„Peter“ Horse-cart	B 1	125
9.02700ff.	Phones	E	509
4.24180	Pig	B 3	151
9.02660	Piper	E	507
w/No.	Pirate Ship	F 1	533
3.26100ff.	Platforms for combination with standard elements	A 3	49ff.
4.14904ff.	Platform Houses	B 2	141ff.

Order No.	Item	Chapter	Page
3.13100ff.	Platform Huts for combination with standard elements	A 1	3
5.17630ff.	Playground Pumps	C 2	223
7.78500	Play Block	F 2	569
w/No.	Play Ship Würfelwiese	F 1	542
4.24170	Play Table	G 1	573
8.50001	Play Wall Type 01	F 2	547
4.24135	Pony	B 1	127
4.24145	Pony and Trap	B 1	127
5.19000	Pump Pedestal	C 2	223
3.41000ff.	Pyramid Towers	A 6	111ff.
Q			
6.43500ff.	Quadro Hammock Seat	D 3	383
6.27600	Queen Swing	D 3	365
R			
5.45000	Raft	C 6	299
8.95100	Ramp Labyrinth	F 2	567
5.28034	Rectangular Flap	C 4	283
5.10100	Reservoir	C 3	252
4.24176	Rhinoceros	B 3	169
4.24120	RIKO Railway	B 1	119
6.10300	Ring Scales	D 3	379
5.28040	River Fork	C 4	277
6.04000	Rocker	D 4	391
6.52200	Rocking Plank	D 4	421
6.30000	Rocking Plate	D 4	417
6.08000	Rocking Ship	D 4	399
3.26800ff.	Roofs for Platforms	A 3	77
6.45100	Rope Bar	D 2	337
5.44000	Rope Ferry	C 6	297
4.19000	Rope Nest	G 1	571
6.51500	Rotating Beam	D 4	425
5.20850	Rotating Conveyor with Tipper Trays	C 5	291
7.26000	Rotating Disc	D 2	335
5.28035	Rotating Gate	C 4	281
6.32000	Rotating Plate	D 2	325
6.26000	Roundabout	D 2	331
5.28033	Round Flap	C 4	283
5.10600	Round Mud Table	C 3	252
5.22000ff.	Round Reservoirs of concrete	C 3	259
4.40000	Round Table	G 1	575
4.35000	Round Table with 8 Benches	G 1	575
5.24000ff.	Round Water Basins of concrete	C 3	259

Order No.	Item	Chapter	Page
S			
6.03200ff.	Sailing Boats	D 4	387
4.24305	Sand Box	C 1	195
4.07500ff.	Sand Play Ships	C 1	193
w/No.	Sand Ship	F 1	536
5.00001	Sand Snake	C 1	197
5.06100ff.	Sand Transport System for attachment	C 1	213
6.10000	Scales	D 4	409
8.80500	Science Fiction Town	F 2	553
5.20880	Scooping Wheel	C 5	293
9.02650ff.	Sea Roarers	E	507
6.11000	See-saw	D 4	403
5.14520	See-saw Basin with shock absorbers	C 3	256
7.52000	See-saw Carousel Swing	D 3	367
5.13500	See-saw Flooder	C 3	256
5.18600ff.	See-saw Pumps	C 2	225
6.11500	See-saw with shock absorber	D 4	403
9.63010ff.	Shadowplays	G 4	619
4.24196	Sheep, resting	B 3	157
4.24195	Sheep, standing	B 3	157
7.82000	Shelter	G 1	587
5.28032	Sickle Gate	C 4	281
5.18870	Simple Spraying Head	C 2	233
7.85000ff.	Sitting Fences	G 1	581
4.40870	Sitting Steps	G 1	583
7.15500	Slackline	D 4	435
3.65200ff.	Slide supports	D 6	445
7.66000	Small Acrobat Rig	D 3	385
5.15900	Small Bucket Wheel for concrete base	C 4	267
5.15910	Small Bucket Wheel for site foundations	C 4	267
5.09300	Small Building Site	C 1	215
6.26501	Small Carousel	D 2	319
5.32000	Small Excavator	C 1	221
4.08503	Small Fish with Peepholes, Floor and Bench	B 3	171
4.08501	Small Fish with Stainless Steel Incline and Staircase	B 3	175
3.15100ff.	Small Hexagonal Huts for combination with standard elements	A 1	5
3.14100ff.	Small Platform Huts for combination with standard elements	A 1	3
4.10100ff.	Small Play Houses	B 2	131
8.00010	Small Play Pyramid	F 2	549
3.41000	Small Pyramid Tower	A 6	111ff.
6.11700	Small See-saw	D 4	401

Order No.	Item	Chapter	Page
6.26400	Small Spinner	D 2	311
4.10300ff.	Small Timber Houses on Stilts	B 2	133
4.24005	Small Tractor	B 1	123
3.12100	Small Triangular Hut for combination with standard elements	A 1	1
8.02030	Small Two-Master	F 1	529
6.32500	Small Wheelchair Carousel	D 2	327
4.24230	Snail	B 3	161
4.24220	Snail Queen	B 3	159
3.68050	Snail Run-out	D 6	449
5.12050ff.	Solid water channel	C 3	252
9.02410	Sound Cushions	E	501
9.02430	Sound Roller	E	505
4.18000	Spiral Stairs Slide	D 6	443
5.18050ff.	Splash Pumps	C 2	235
5.18810ff.	Spraying Heads	C 2	233
6.11800	Springing Circle	D 4	415
5.10700	Square Mud Table	C 3	252
3.20500ff.	Square Towers	A 2	27
3.63020ff.	Stainless Steel Slides width 0.45 m	D 6	439
3.63320ff.	Stainless Steel Slides width 1.00 m	D 6	441
3.64200ff.	Stainless Steel Slides width 1.50 m	D 6	441
6.26503	Standing Carousel	D 2	321
9.40200	Star Kaleidoscope	G 4	617
4.40050ff.	Stools	G 1	575
6.81000	Straight Balancing Beam	D 4	425
9.10010	Street Musicians	E	519
4.60010ff.	Stroking Stones	B 3	163ff.
6.62300	Suspension Bridge for Wheelchair Users	D 8	493
4.24150	Swinging Horse	B 3	155
9.55000	Swinging Table	G 1	579
7.65000ff.	Swing Rope Equipments	D 3	377
6.10200	Swing Scales	D 4	411
6.12100ff.	Swings with horizontal bar	D 2	345
T			
9.20000	Tables	G 1	577
7.89000	Table Tennis Table	G 2	603
7.64200ff.	Tarzan Ropes	D 3	375
6.50000ff.	Timberwood Tangles	F 2	561ff.
6.12000ff.	Toddler's Swings	D 3	343ff.
4.35050	Toddler's Table with 8 Stools	G 1	573
6.05000	Totter Beam	D 4	393
6.52300	Totter Path	D 4	421

Order No.	Item	Chapter	Page
2.18000	Tower Combination 18	A 4	86
2.30000	Tower Combination 30	A 4	87
2.33100	Tower Combination 331	A 4	88
2.54000	Tower Combination 54	A 4	89
2.60000	Tower Combination 60	A 4	90
3.20500ff.	Towers for combination with standard elements	A 2	27ff.
7.81000	Town Box	G 1	585
4.24000	Tractor	B 1	121
7.45000	Tractor Tyre Swing	D 3	371
4.24010	Trailer for Tractor	B 1	121
3.20530ff.	Transparent Square Towers	A 2	29
5.05000	Transport System	C 1	211
5.15600	Triangular Channel	C 3	252
3.12300	Triangular Hut for combination with standard elements	A 1	1
3.29700	Triangular Platform for combination with standard elements	A 5	97
7.73000	Triple Beam Swing	D 3	373
4.24200	Trunk Seat	G 1	573
3.68000	Tunnel Slides	D 6	447
6.27000ff.	Turning Tyres	D 2	313
6.26500	Turntable	D 2	319
6.11620	Twin See-saw	D 4	405
4.08502	Two Small Fish with Stainless Steel Incline, Ramp and Staircase	B 3	173
4.10500	Two Storey Play House	B 2	135
V			
6.51630	Vertical Climbing Net	D 2	337
W			
5.09500	Water Building Site	C 1	217
5.10010	Water Combination „Small Fish“	C 1	219
5.20905	Water Flap	C 4	269
5.13000ff.	Water Flooder	C 3	256
5.25000ff.	Water Jets	C 2	239
5.46000	Water Path	C 6	301
5.22000ff.	Water Play Elements of Concrete	C 3	259
5.13000ff.	Water Play Elements of Metal	C 3	255ff.
5.18020	Water Push Button	C 2	233
5.42010	Water Scoop	C 5	293
5.12500	Water See-saw with shock absorbers	C 3	252
5.20907	Water Switch	C 4	271
5.14050ff.	Water Trays	C 3	256
5.14200	Water Tray with Ball Shutter	C 3	256

Order No.	Item	Chapter	Page
5.14400	Water Trays with Seals	C 3	256
5.28010	Water Wheel with flying shovels	C 4	275
5.28015	Waterwheel	C 4	275
6.29000	Wheelchair Carousel	D 2	329
6.75010	Wheelchair See-saw	D 4	419
6.29100	Wheelchair Swing	D 3	359
6.28000ff.	Whirlings	D 2	309
6.10500	Whirlwind	D 2	339
6.27600	Whisk	D 2	337
4.24273	Wild Boar	B 3	167
9.65040ff.	Windmills	G 4	621
5.18900	Wind Mill	C 2	247
9.02400	Wind Pipes	E	499
9.02500	Wind Pump	E	523
6.27300	Wobble Dish	D 2	315
3.69833	Wobbly Bridge	A 5	100
4.24270	Wobbly Sheep	B 3	167

A Standard Combination Elements for Individual Play Installations












- 1 Huts
- 2 Towers
- 3 Platforms
- 4 Combinations · Examples
- 5 Triangular Platform
- 6 Special Towers

In the following chapter you will find standard elements for combination and several of our proposals for combinations. Of course, there are also other possibilities.

A



A 1 Huts

Order No. Item	page	Order No. Item	page
			
3.12100 Small Triangular Hut	1	3.16100/3.16150 Hexagonal Hut	5
			
3.12300 Triangular Hut	1	3.16300/3.16350 Hexagonal Hut with Roof	5
			
3.13100 Platform Hut	3	3.17000 Big Hexagonal Hut with Roof	7
			
3.13300 Platform Hut with Roof	3		
			
3.14100/3.14150 Small Platform Hut	3		
			
3.14300/3.14350 Small Platform Hut with Roof	3		
			
3.15100 Small Hexagonal Hut	5		
			
3.15300 Small Hexagonal Hut with Roof	5		



Order No. 3.12100 Small Triangular Hut

Play value

The Triangular Hut without combination equipment is a house for family role plays and other games on one or two levels. If the Hut is combined with a slide or other attractive play equipment, it represents a versatile "mini-playground" in limited space. The Triangular Hut is an unusual basic element which adds to the value of playgrounds.

Fundamental characteristics

- child proportions according to ergonomic requirements
- one or two play levels
- natural wooden surface which appeals to the senses
- variable basic elements offering many opportunities for combination
- incentive for playing: role games in small, cosy rooms
- movement: climbing

Suitable

- for children from 3 years
- for playgrounds situated near houses
- nurseries
- public playgrounds



Order No. 3.12300 Triangular Hut

Huts for combination

Small Triangular Hut
Triangular Hut



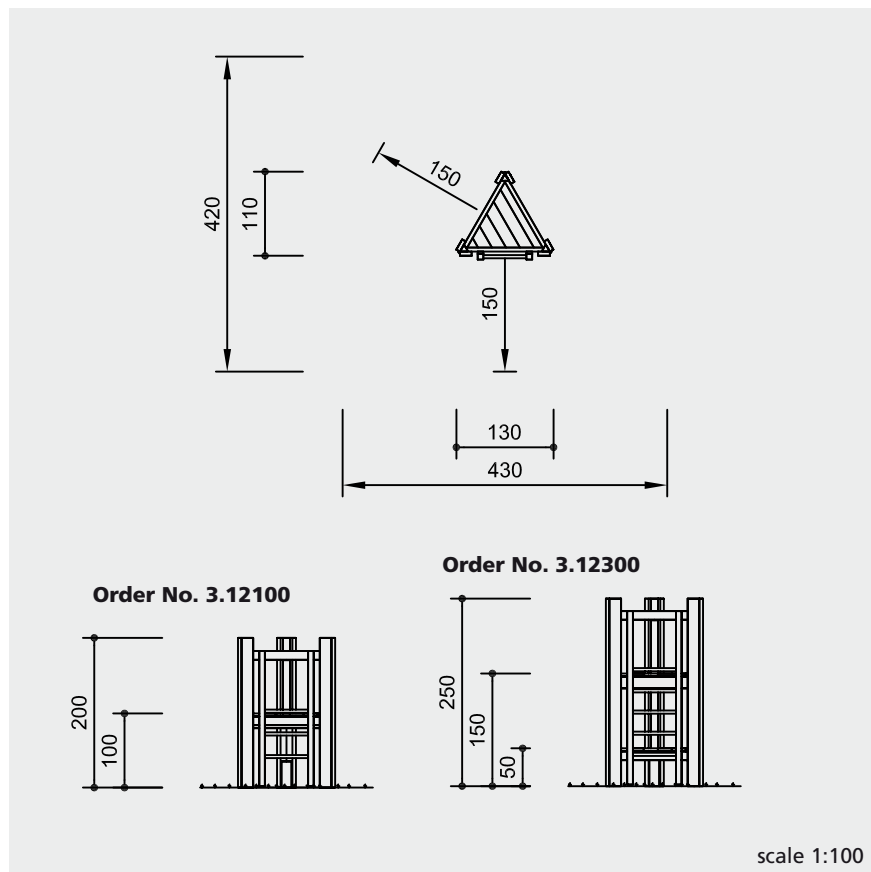
Order No. 3.12300 Triangular Hut



3.12100



3.12300



Safety check according to EN 1176

Components

**Order No. 3.12100
Small Triangular Hut**
3 side parts, 1 ladder, 1 floor,
3 steel feet

Order No. 3.12300 Triangular Hut
as before, but with 2 floors

Installation information

Surfacing requirements
corresponding to a fall height of ≤ 1.00 m
or ≤ 1.50 m
(please refer to price list for more
detailed information)

Foundations
3 items 40 x 40 x 40 cm
excavation depth 60 cm

Attention:
**Exact measurements may vary, for
all installation dimensions refer to
current installation instructions.**
Technical changes reserved.

Technical information

equipment of not impregnated
mountain larch

core-free
sawn timbers core-free, by that
formation of cracks can be reduced

tongue and groove
platform floors of 40 mm tongue and
groove boarding

hardwood rungs
climbing rungs of hardwood, milled
and mortised, Ø 42 mm

ground anchor
all parts used for anchoring to the
ground made of hot-dip galvanised
steel

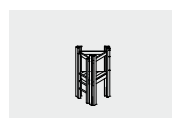


For more detailed explanation of the
quality characteristics see price list.

Dimensions
(small deviations possible)

**Order No. 3.12100
Small Triangular Hut**
height 2.00 m
floor height 1.00 m
side length 1.30 m
weight 190 kg

Order No. 3.12300 Triangular Hut
height 2.50 m
floor heights 0.50 m
1.50 m
side length 1.30 m
weight 240 kg



3.12100



3.12300



Order No. 3.14300 Small Platform Hut with roof

Play value

The Platform Hut without combination equipment is a house for family role plays and other games on two levels. With a roof the Platform Hut even has two covered rooms in which children can feel sheltered. The roof also enables a climbing rope to be attached. If the Platform Hut is combined with a slide, sand-play centre, or with other attractive play equipment, it represents a versatile mini-playground in limited space.

Fundamental characteristics

- child proportions according to ergonomic requirements
- one or two play levels
- natural wooden surface which appeals to the senses
- variable basic elements offering many opportunities for combination
- incentive for playing: role games in small, cosy rooms
- movement: climbing

Suitable

- for children from 3 years
- for playgrounds situated near houses
- nurseries
- public playgrounds



Order No. 3.14350 Small Platform Hut with roof, 2 walls, 2 benches, 1 table

Huts for combination

Platform Hut

Platform Hut with roof

Small Platform Hut

Small Platform Hut with 2 walls, 2 benches, 1 table

Small Platform Hut with roof

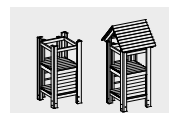
Small Platform Hut with roof, 2 walls, 2 benches, 1 table



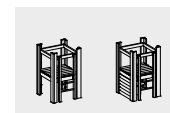
Order No. 3.13100 Platform Hut

© Richter Spielgeräte GmbH 10/15

Design and Copyright



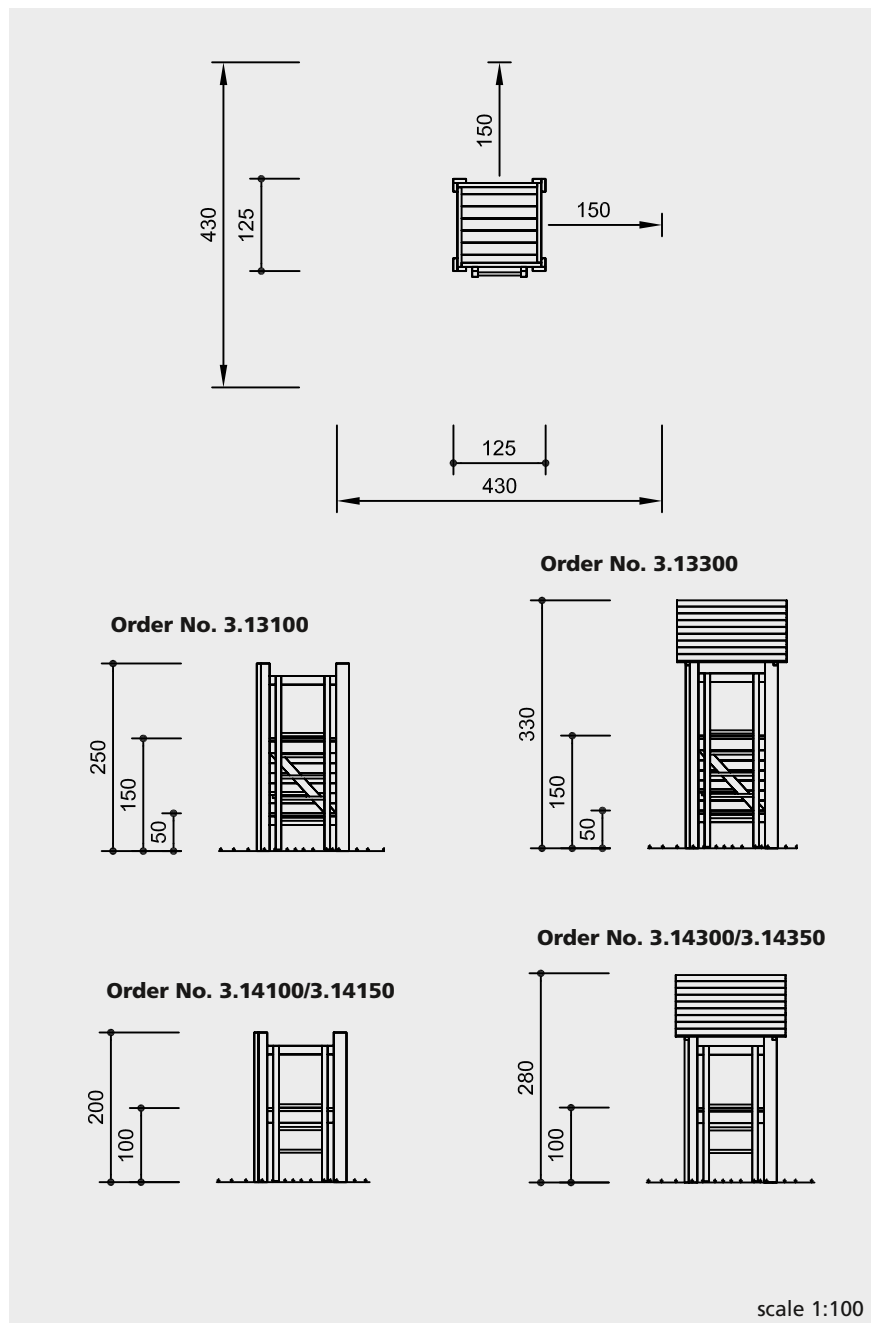
3.13100/3.13300



3.14100/3.14150



3.14300/3.14350



Safety check according to EN 1176

Components

Order No. 3.13100 Platform Hut

4 side parts, 1 ladder, 2 floors, 2 walls, 1 bench, 4 steel feet

Order No. 3.13300 as before, but in addition with 2 roof halves

Order No. 3.14100 Small Platform Hut

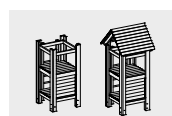
4 side parts, 1 ladder, 1 floor, 4 steel feet

Order No. 3.14150 as before, but in addition with 2 walls, 2 benches, 1 table

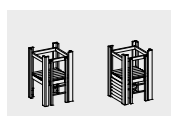
Order No. 3.14300 Small Platform Hut with roof

4 side parts, 1 ladder, 1 floor, 4 steel feet, 2 roof halves

Order No. 3.14350 as before, but in addition with 2 walls, 2 benches, 1 table



3.13100/3.13300



3.14100/3.14150



3.14300/3.14350

Technical information

equipment made of non-impregnated mountain larch

core-free

sawn timbers core-free, by that formation of cracks can be reduced



claddings

roofs and walls made of claddings, thickness 4 - 5 cm, de-barked by hand



tongue and groove

platform floors of 40 mm tongue and groove boarding



hardwood rungs

climbing rungs of hardwood, milled and mortised, Ø 42 mm



ground anchor

all parts used for anchoring to the ground made of hot-dip galvanised steel



Dimensions

(small deviations possible)

Order No. 3.13100/3.13300

Platform Huts

height	2.50 m
with roof	3.30 m
floor heights	0.50 m
	1.50 m
side length	1.25 m
weight	390 kg

Order No. 3.14100 - 3.14350

Small Platform Huts

height	2.00 m
with roof	2.75 m
floor height	1.00 m
side length	1.25 m
weight	180 - 350 kg

Installation information

Surfacing requirements corresponding to a fall height of ≤ 1.00 m or ≤ 1.50 m (please refer to price list for more detailed information)

Foundations
4 items 50 x 50 x 40 cm
excavation depth 60 cm

Attention:

Exact measurements may vary, for all installation dimensions refer to current installation instructions.

Technical changes reserved.

For more detailed explanation of the quality characteristics see price list.

Play value

Play combinations in children's environments are particularly homely if versatile roof and building shapes offer opportunities for discovery and diversity for the eyes. The nicely shaped Hexagonal Hut makes a good centre-piece for a play area. Our different play huts are basic elements which can be combined with many linking elements. On the ground floor, there are cosy rooms for role play. Linking elements, by themselves also play equipment, can start from the upper storey and lead to other constructions or to a hill. Interesting linking elements are, for instance, rope or suspension bridge or chain path.

Fundamental characteristics

- child proportions according to ergonomic requirements
- one or two play levels
- natural wooden surface which appeals to the senses
- variable basic elements offering many opportunities for combination
- incentive for playing: role games in small, cosy rooms
- movement: climbing

Suitable

- for children from 3 years
- for playgrounds situated near houses
- nurseries
- public playgrounds



Order No. 3.16350 Hexagonal Hut with roof, 3 walls and 1 bench



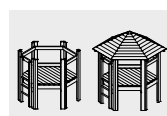
Order No. 3.15300 Small Hexagonal Hut with roof

Huts for combination

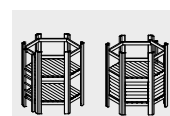
Small Hexagonal Hut
Small Hexagonal Hut with roof

Hexagonal Hut
Hexagonal Hut with 3 walls and 1 bench

Hexagonal Hut with roof
Hexagonal Hut with roof, 3 walls and 1 bench



3.15100/3.15300

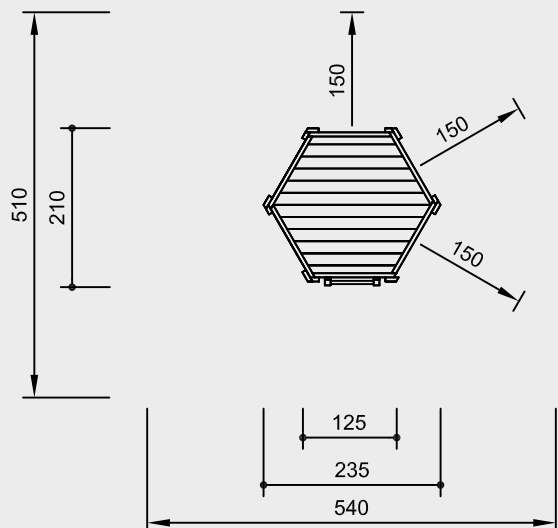


3.16100/3.16150



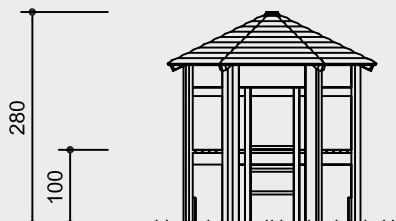
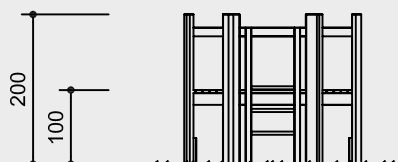
3.16300/3.16350

scale 1:100



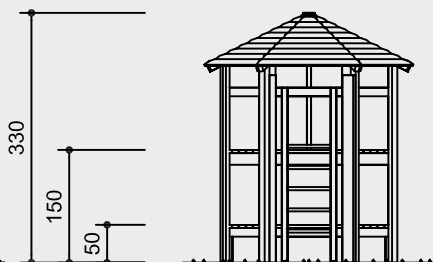
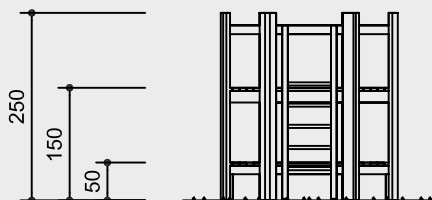
Order No. 3.15300

Order No. 3.15100



Order No. 3.16300/3.16350

Order No. 3.16100/3.16150



Safety check according to EN 1176

Components

**Order No. 3.15100
Small Hexagonal Huts**

6 side parts, 1 floor
1 ladder, 6 steel feet

Order No. 3.15300 as before, but in addition with six-part roof

**Order No. 3.16100
Hexagonal Hut**

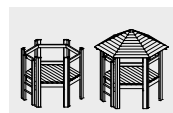
6 side parts, 2 floors
1 ladder, 6 steel feet

Order No. 3.16150 as before, but in addition with 3 walls and 1 bench

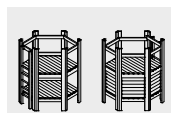
**Order No. 3.16300
Hexagonal Hut**

6 side parts, 2 floors
1 ladder, 6 steel feet
1 six-part roof

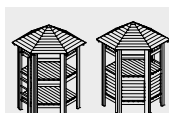
Order No. 3.16350 as before, but in addition with 3 walls and 1 bench



3.15100/3.15300



3.16100/3.16150



3.16300/3.16350

Technical information

equipment made of non-impregnated mountain larch

core-free

sawn timbers core-free, by that formation of cracks can be reduced



claddings

roofs and walls of claddings, thickness 4 - 5 cm, de-barked by hand



tongue and groove

platform floors of 40 mm tongue and groove boarding



hardwood rungs

climbing rungs of hardwood, milled and mortised, Ø 42 mm



ground anchor

all parts used for anchoring to the ground made of hot-dip galvanised steel



Dimensions

(small deviations possible)

Order No. 3.15100/3.15300

Small Hexagonal Huts

height	2.00 m
with roof	2.80 m
floor height	1.00 m
side length	1.25 m
weight	400 kg/580 kg

Order No. 3.16100 - 3.16350

Hexagonal Huts

height	2.50 m
with roof	3.30 m
floor heights	0.50 m/1.50 m
side length	1.25 m
weight	560 - 840 kg

Installation information

Surfacing requirements corresponding to a fall height of ≤ 1.00 m or ≤ 1.50 m (please refer to pricelist for more detailed information)

Foundations

6 items 50 x 50 x 40 cm
excavation depth 60 cm

Attention:

Exact measurements may vary, for all installation dimensions refer to current installation instructions.

Technical changes reserved.

For more detailed explanation of the quality characteristics see price list.

Play value

The construction principle is like two Hexagonal Huts put on top of each other. By its light and harmonious design and its friendly material, the Hut becomes the centre piece of a small play area. Four storeys inside invite for climbing and hiding. Right on the top floor under the roof there is a cosy little room for chatting. All levels can be reached by ladders and ways through. Interesting attachment parts such as a suspension bridge, which links the hut with a hill, or a slide as way down, offer versatile play possibilities with a strong expression.

Fundamental characteristics

- light and harmonious appearance
- four different levels which can be reached by ladders and ways through
- incentive for playing: friendly appearance, gaining height, cave games
- movement: climbing

Suitable

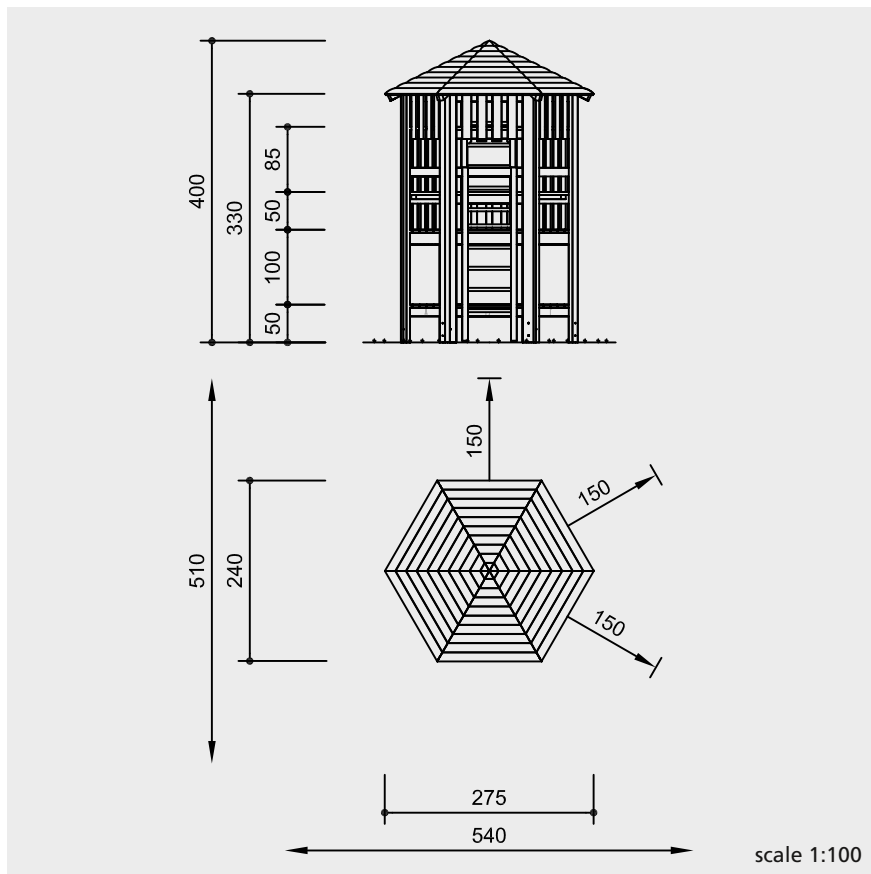
- for children from 3 years
- for public playgrounds
- nurseries
- playgrounds situated near houses



Big Hexagonal Hut with roof



3.17000



Safety check according to EN 1176

Components

- 6 side parts (partly with walls)
- 2 whole floors
- 2 half floors
- 1 ladder outside
- 1 continuing ladder inside
- 1 roof
- 6 steel feet

Installation information

Surfacing requirements corresponding to a fall height of ≤ 2.00 m (please refer to price list for more detailed information)

Foundations
6 items 80 x 80 x 50 cm
excavation depth 70 cm

Attention:
Exact measurements may vary, for all installation dimensions refer to current installation instructions.

Technical changes reserved.

Technical information

equipment of non-impregnated mountain larch

core-free timber

sawn timbers are core-free, by that formation of cracks can be reduced



claddings

roof made of claddings, thickness 4 - 5 cm, de-barked by hand



tongue and groove

platform floors of 40 mm tongue and groove boarding



hardwood rungs

climbing rungs of hardwood, milled and mortised, $\varnothing 42$ mm



ground anchor

all parts used for anchoring to the ground made of hot-dip galvanised steel



Dimensions

(small deviations possible)

height	3.30 m
with roof	4.00 m
floor heights	
whole floors	0.50 m
half floors	1.50 m
total	2.00 m
with roof	2.85 m
side length	1.25 m
weight	1060 kg
roof	180 kg

For more detailed explanation of the quality characteristics see price list.

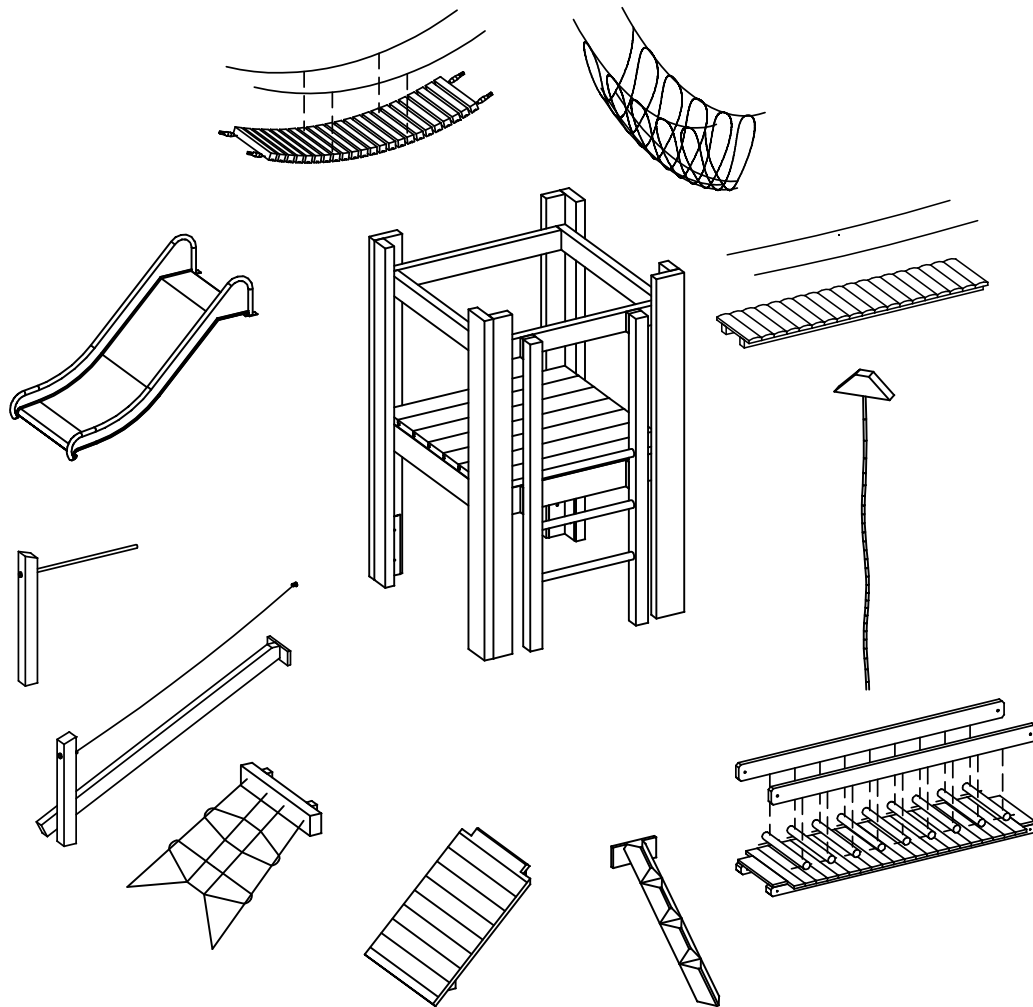


3.17000


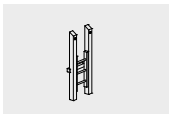


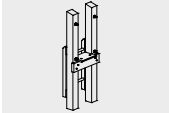
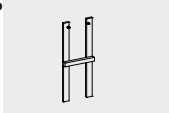

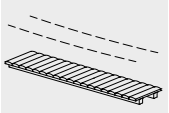

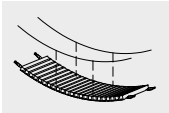

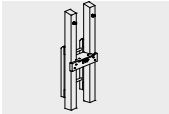
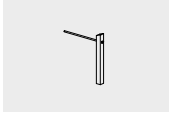
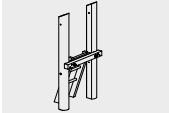



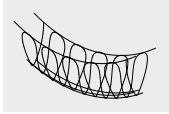
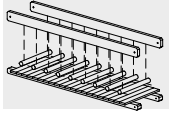



**Standard elements for combination
with Huts**


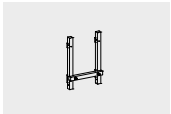
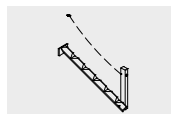


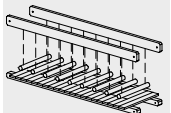
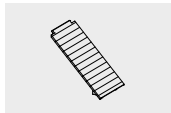


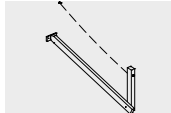
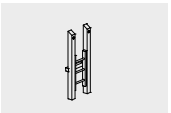
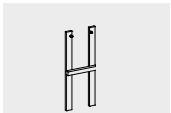

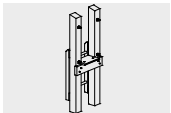
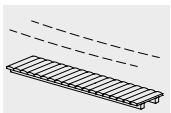



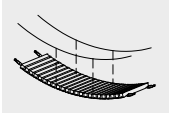
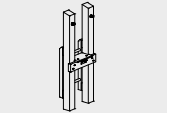


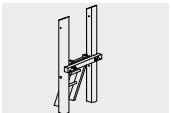
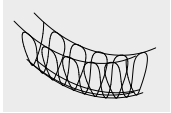
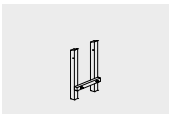
**Standard elements for combination
with Huts 1.00 m**



Standard elements for combination with Huts 1.00 m

Order No. Product name	Page	Order No. Product name	Page	Order No. Product name	Page
		BRIDGE ELEMENTS		MISCELLANEOUS	
3.19200 Small Children Slide for Huts 1.00 m	14				
		3.66386 End Frame with Ladder	26	3.67535 Inclined Wall	17
SUSPENSION BRIDGE ELEMENTS					
				3.69124 Inclined Climbing Net	16
3.66033 End Frame with Ladder	23	3.66360 Support Frame for Chain Handrail	22		
					
3.66057 Support Frame	21	3.66320 ff. Bridge 3, 4, 5 m with chain handrail	26	3.69433 Climbing Rope for Huts with Roof	20
		ROPE BRIDGE ELEMENTS			
3.66090 ff. Running Boards 3, 4, 5 m	23			3.69505 Climbing Trunk	19
CHAIN PATH ELEMENTS					
		3.66523 End Frame with Ladder	24	3.69700 Horizontal Bar	18
					
3.66223 End Frame with Ladder	25	3.66647 Support Frame	21		
					
3.66230 End Frame for Inclined Path without safety board	25	3.66550 ff. Rope Bridge 3, 4, 5 m	24		
					
3.66290 Support Frame	22				
					
3.66260 ff. Handrails and Running Board Timbers path 3, 4 m	25				

Standard elements for combination with Huts 1.50 m

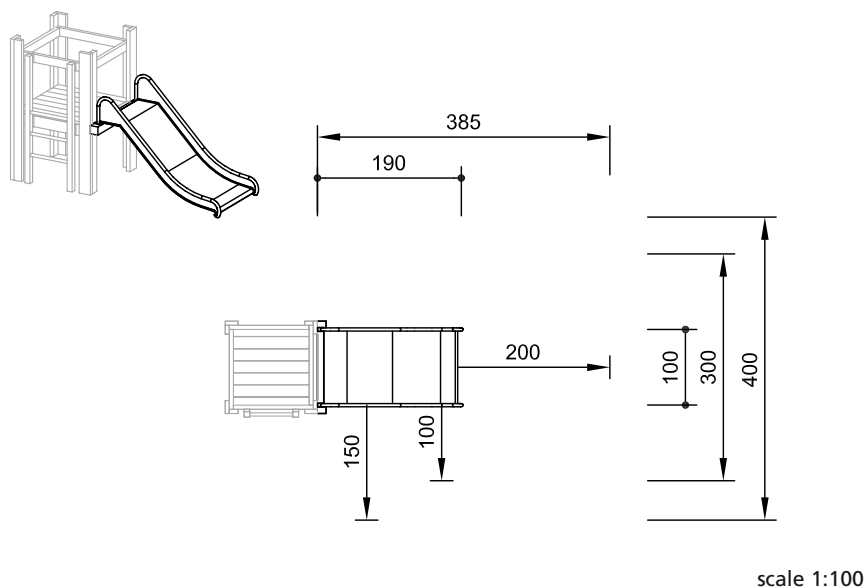
Order No. Product name	Page	Order No. Product name	Page	Order No. Product name	Page	Order No. Product name	Page
	15		22	MISCELLANEOUS			19
3.19802 Single Swing special		3.66290 Support Frame			20	3.67503 Climbing Wall	
	20		25		17		18
3.19100 Sand Play Equipment		3.66260 ff. Handrails and Running Board Timbers path 3, 4 m		3.67530 Inclined Wall		3.69700 Horizontal Bar	
	14	BRIDGE ELEMENTS			18		
3.19210 Stainless Steel Slide			26	3.68305 Inclined Balancing Beam			
SUSPENSION BRIDGE ELEMENTS			22		16		
	23	3.66360 Support Frame for Chain Handrail		3.69120 Inclined Climbing Net			
3.66033 End Frame with Ladder			26		16		
	21	3.66320 ff. Bridge 3, 4, 5 m with chain handrail		3.69355 Vertical Climbing Net			
3.66055 Support Frame		ROPE BRIDGE ELEMENTS			20		
	23		24	3.69430 Climbing Rope for Huts with Roof			
3.66090 ff. Running Boards 3, 4, 5 m		3.66523 End Frame with Ladder			18		
CHAIN PATH ELEMENTS			21				
	25	3.66645 Support Frame			24		
3.66223 End Frame with Ladder			25	3.66550 ff. Rope Bridge 3, 4, 5 m			
3.66230 End Frame for Inclined Path without safety board							

Small Children Slide

Order No. 3.19200

width 1.00 m

for attachment to Huts 1.00 m

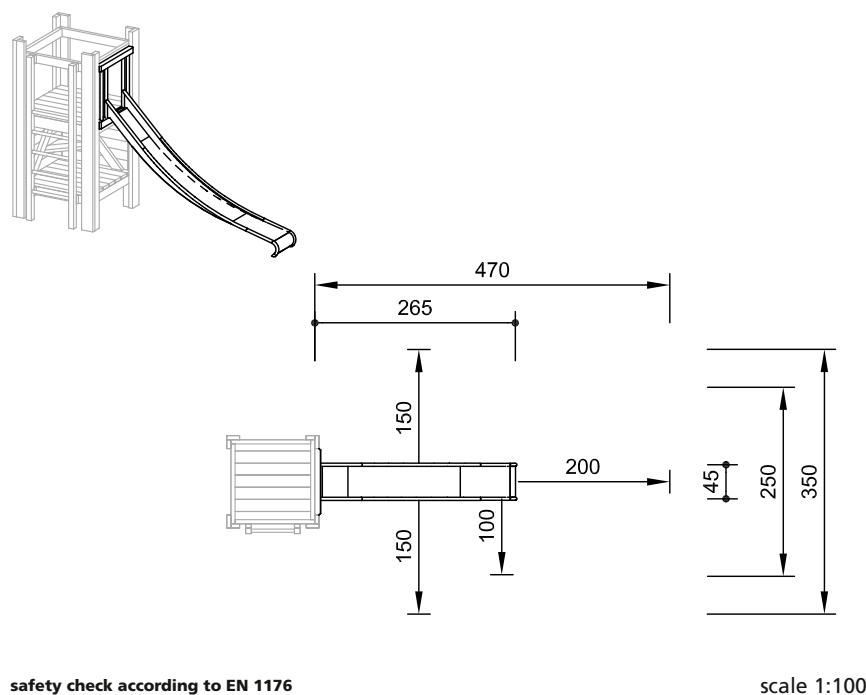


Slide

Order No. 3.19210

width 0.45 m

for attachment to Huts 1.50 m



safety check according to EN 1176

scale 1:100

Note on installation

Avoid orientation of the slide to the south (heating up of material).



3.19200



3.19210

Technical information

total construction of slides made of stainless steel, side walls glass bead blasted

thickness of sliding surface 2 mm

handrail tube Ø 42 mm

ground anchor of oak

Order No. 3.19210

one-piece construction

total construction mould-profiled longitudinally, no welding seams along the slide surface



Dimensions

(small deviations possible)

Order No. 3.19200

installation height 1.00 m

width 1.00 m

weight 65 kg

Order No. 3.19210

installation height 1.50 m

width 0.45 m

weight 53 kg

Components

Order No. 3.19200

1 slide with ground anchor

1 slide support

Order No. 3.19210

1 slide with ground anchor

1 support frame

Installation information

Surfacing requirements corresponding to a fall height of **order No. 3.19200** ≤ 1.00 m **order No. 3.19210** ≤ 1.50 m (please refer to price list for more detailed information)

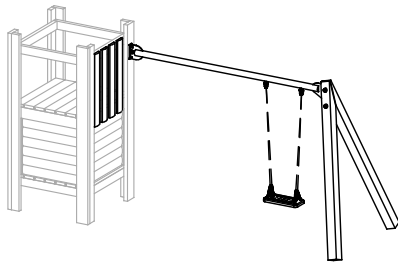
Foundations excavation depth for ground anchor 55 cm

Attention:
Exact measurements may vary; for all installation dimensions refer to current assembly instructions.
Technical changes reserved.

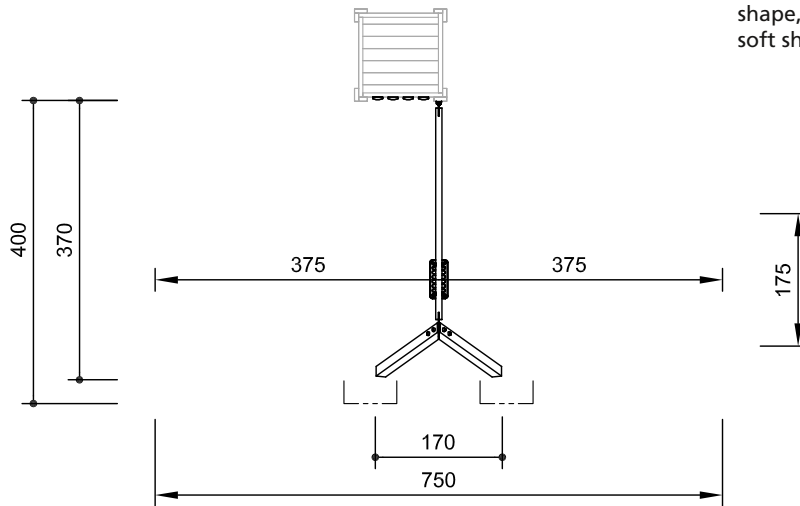


Please refer to the price list for a more detailed explanation of the quality characteristics.

Single Swing special long
Order No. 3.19802
 for attachment to Huts 1.50 m



scale 1:100



safety check according to EN 1176

Components

- 1 swing frame with steel feet
- 1 cross beam made of steel
- 1 swing seat with chains
- 1 guarding section (pre-installed to hut)

Installation information

Surfacing requirements corresponding to a fall height of ≤ 1.50 m (please refer to price list for more detailed information)

Foundations
 2 items 60 x 70 x 40 cm
 excavation depth 60 cm

Attention:
Exact measurements may vary; for all installation dimensions refer to current assembly instructions.
 Technical changes reserved.



Technical information

wooden parts of non-impregnated mountain larch

core-free timber
 sawn timbers core-free, thus decreasing occurrences of cracking

claddings
 thickness 4 - 5 cm, de-barked by hand, made of non-impregnated mountain larch (guarding section)

rubber seat
 rubber seat with anatomically correct shape, strong profiled steel insert and soft shock absorbing edge



Please refer to the price list for a more detailed explanation of the quality characteristics.

swing joint
 drop-forged, hot-dip galvanised swing joint with bush with graphite sleeve for self-lubrication and integrated swivel



strong fastening
 bolt connections with milled metal rings for connections that are stressed cross-wise



brass bush
 for all to and fro movements we use sintered metal bearings which allow for self-lubrication while in use and are easy to exchange if required



ground anchor
 all parts used for anchoring to the ground made of hot-dip galvanised steel



cross beam made of steel
 galvanised steel with rigid corner connection; therefore smaller foundations

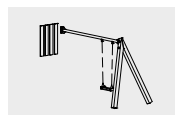


chains
 suspended on short-link chains 6 mm, welded before hot-dip galvanisation (stainless steel chains available on request)



Dimensions
 (small deviations possible)

height	2.20 m
vertical clearance	2.05 m
length	3.70 m
width	1.70 m
weight	135 kg

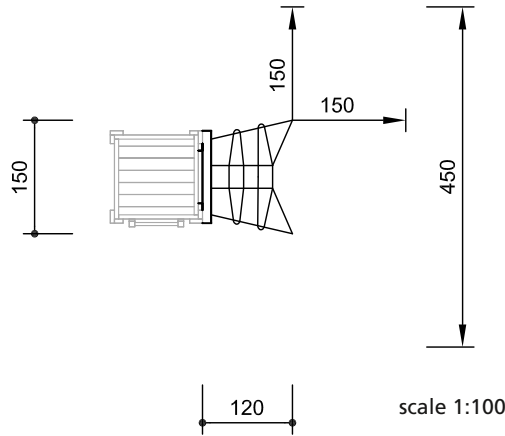
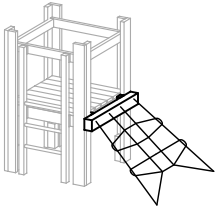


3.19802

Inclined Climbing Net

Order No. 3.69124

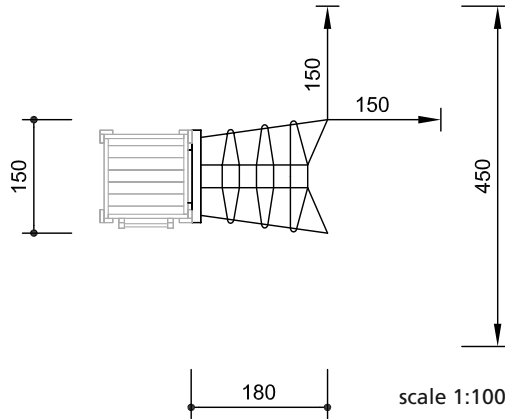
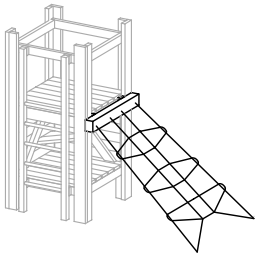
for attachment to Huts 1.00 m



Inclined Climbing Net

Order No. 3.69120

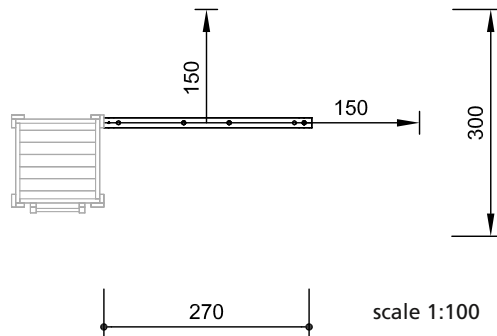
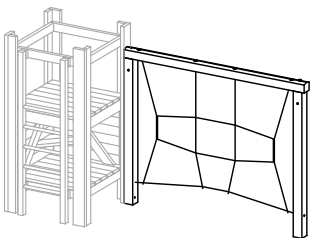
for attachment to Huts 1.50 m



Vertical Climbing Net

Order No. 3.69355

for attachment to Huts 1.50 m



safety check according to EN 1176



3.69120



3.69124



3.69355

Technical information

net beam of non-impregnated mountain larch, stand post of oak

core-free timber

sawn timbers core-free, thus decreasing occurrences of cracking



Corocord® rope

special ropes of "Hercules type"

net of 19 mm six-strand Corocord® rope of the special "Hercules type", abrasion-protected through heating of the six steel strands and melting the polyamide sleeve onto them, standard colour red



aluminium swages

double-conical aluminium swages with rounded-off ends



S-clamps

neatly rounded Corocord® S-clamps of stainless steel, Ø 8 mm



Dimensions

(small deviations possible)

Order No. 3.69120

net 1.00 x 2.20 m
weight 50 kg

Order No. 3.69124

net 1.00 x 1.40 m
weight 40 kg

Order No. 3.69355

height 2.20 m
width 2.70 m
weight 100 kg

Components

Order No. 3.69120/3.69124

1 inclined net with cross beam, anchoring to the ground with chains and tensioning levers

Order No. 3.69355

1 net with 2 beams and 1 stand post

Installation information

Surfacing requirements

Order No. 3.69120

corresponding to a fall height of ≤ 1.50 m

Order No. 3.69124

corresponding to a fall height of ≤ 1.00 m

Order No. 3.69355

corresponding to a fall height of ≤ 1.50 m (please refer to price list for more detailed information)

Foundations

Order No. 3.69120

2 items 50 x 50 x 40 cm
excavation depth 80 cm

Order No. 3.69124

2 items 50 x 50 x 40 cm
excavation depth 80 cm

Order No. 3.69355

1 item 60 x 60 x 60 cm
excavation depth 80 cm

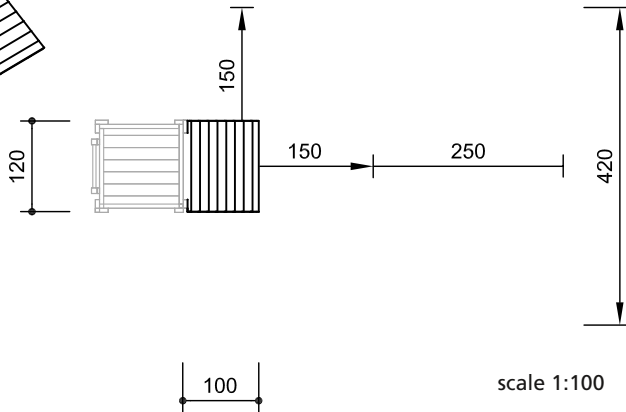
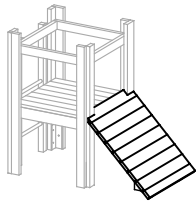
Attention:

Exact measurements may vary; for all installation dimensions refer to current assembly instructions.
Technical changes reserved.

Vertical climbing net also available with steel foot.

Please refer to the price list for a more detailed explanation of the quality characteristics.

Inclined Wall
Order No 3.67535
 for attachment to Huts 1.00 m



Technical information

equipment of non-impregnated mountain larch, anchoring to the ground of oak

core-free timber
 sawn timbers core-free, thus decreasing occurrences of cracking

tongue and groove
 covering of 40 mm tongue and groove boarding

Order No 3.69470

Corocord® rope special ropes of "Hercules type"
 six-strand Corocord® rope of the special "Hercules type", abrasion-protected through heating of the six steel strands and melting the polyamide sleeve onto them, standard colour rainbow



Please refer to the price list for a more detailed explanation of the quality characteristics.



Dimensions

(small deviations possible)

Order No 3.67530

length 2.15 m
 width 1.20 m
 weight 65 kg

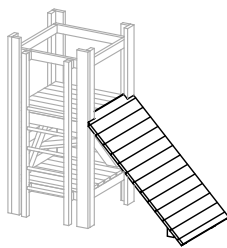
Order No 3.67535

length 1.40 m
 width 1.20 m
 weight 40 kg

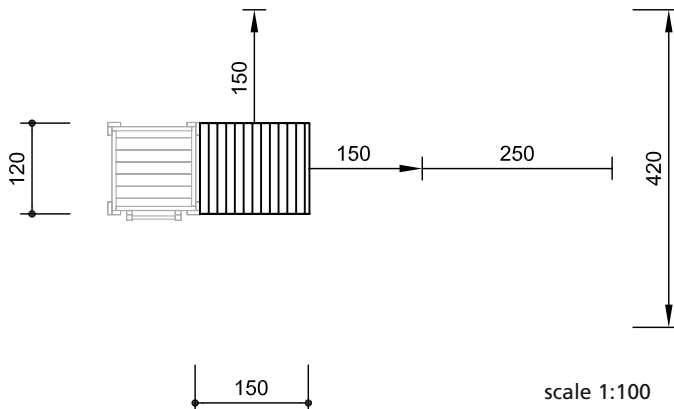
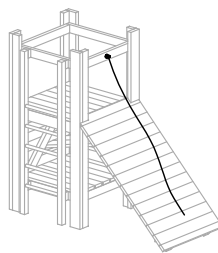
Components

1 inclined wall with inclination 45°
 with stand posts

Inclined Wall
Order No 3.67530
 for attachment to Huts 1.50 m



Holding Rope
Order No 3.69470



Installation information

Surfacing requirements

Order No 3.67530

corresponding to a fall height of ≤ 1.50 m

Order No 3.67535

corresponding to a fall height of ≤ 1.00 m
 (please refer to price list for more detailed information)

Foundations

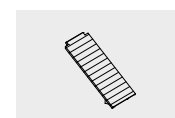
1 item 50 x 105 x 40 cm
 excavation depth 60 cm

Attention:

Exact measurements may vary; for all installation dimensions refer to current assembly instructions.

Technical changes reserved.

Equipment also available with steel feet.



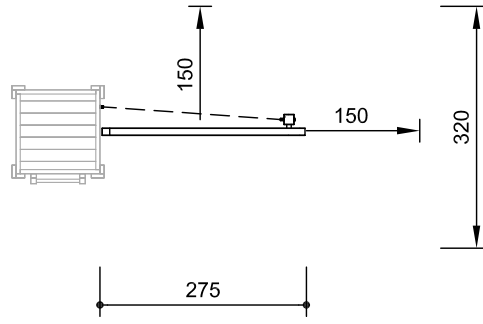
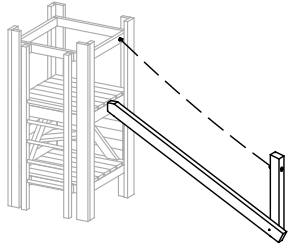
3.67530



3.67535

safety check according to EN 1176

Inclined Balancing Beam
Order No 3.68305
 for attachment to Huts 1.50 m



Technical information

Order No 3.68305

equipment of non-impregnated mountain larch, stand post of oak
angle cut
 vertical stand post with angle cut in the end grain section as constructive wood preservation
core-free timber
 sawn timbers core-free, thus decreasing occurrences of cracking



chains
 short-link chains, 6 mm, welded before hot-dip galvanisation (stainless steel chain available on request)



Dimensions
 (small deviations possible)
 length 3.00 m
 weight 80 kg

Components
 1 inclined balancing beam with chain handrail and stand post

Installation information
 Surfacing requirements corresponding to a fall height of ≤ 1.50 m (please refer to price list for more detailed information)
 Foundations
 1 item 60 x 60 x 50 cm excavation depth 70 cm

Order No 3.69700
 stand post of oak

angle cut
 vertical stand post with angle cut in the end grain section as constructive wood preservation
core-free timber
 timbers core-free, thus decreasing occurrences of cracking



horizontal bar of stainless steel

Dimensions
 horizontal bar Ø 30 mm, height 1.14 m, glass bead blasted

Components
 1 horizontal bar with stand post

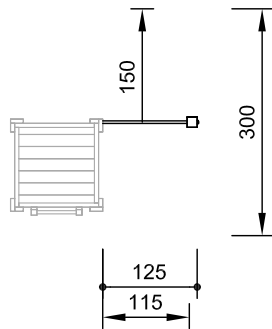
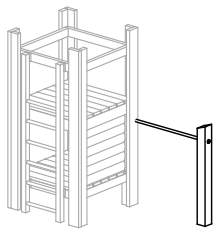
Installation information
 Surfacing requirements corresponding to a fall height of ≤ 1.50 m (please refer to price list for more detailed information)
 Foundations
 1 item 60 x 60 x 50 cm excavation depth 70 cm

Order No 3.69480
 bent fireman's pole of stainless steel, glass bead blasted, Ø 42 mm

Components
 1 bent fireman's pole
Installation information
 Surfacing requirements corresponding to a fall height of ≤ 1.50 m (please refer to price list for more detailed information)

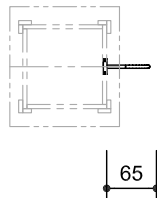
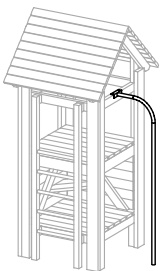
Foundations
 1 item 30 x 30 x 30 cm excavation depth 50 cm

Horizontal Bar
Order No 3.69700



scale 1:100

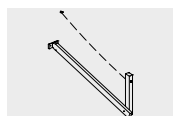
Firemen's Pole
Order No 3.69480
 for attachment to Huts 1.50 m



scale 1:100

safety check according to EN 1176

Attention:
 Exact measurements may vary;
 for all installation dimensions refer to current assembly instructions.
 Technical changes reserved.
 Balancing beam and horizontal bar also available with steel feet.



3.68305



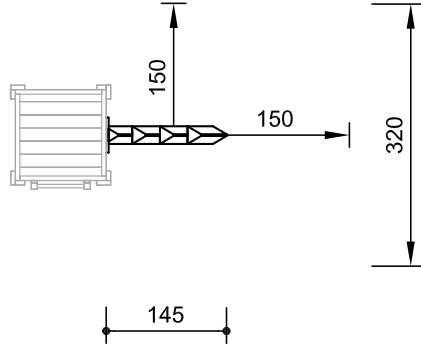
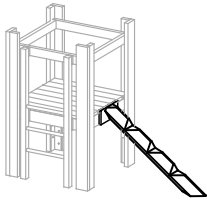
3.69480



3.69700

Please refer to the price list for a more detailed explanation of the quality characteristics.

Climbing Trunk
Order No 3.69505
 for attachment to Huts 1.00 m



scale 1:100



Technical information

Order No 3.69505

equipment made of non-impregnated mountain larch

core-free timber

sawn timbers core-free, thus decreasing occurrences of cracking



Dimensions

(small deviations possible)

length 2.45 m
 weight 40 kg

Components

1 climbing trunk

Installation information

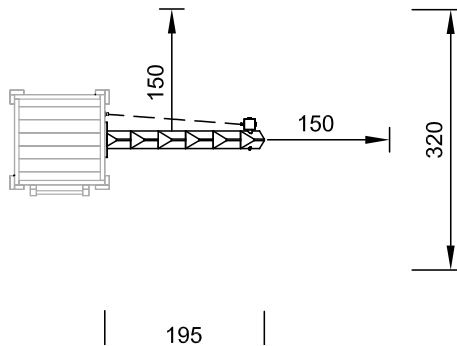
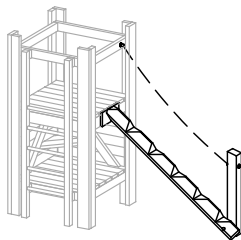
Surfacing requirements corresponding to a fall height of ≤ 1.00 m (please refer to price list for more detailed information)

Foundations

1 item 100 x 60 x 40 cm
 excavation depth 60 cm

Please refer to the price list for a more detailed explanation of the quality characteristics.

Climbing Trunk
Order No 3.69515
 for attachment to Huts 1.50 m



scale 1:100

safety check according to EN 1176

Order No 3.69515

climbing trunk of non-impregnated mountain larch, stand post of oak

angle cut

vertical stand post with angle cut in the end grain section as constructive wood preservation



core-free timber

sawn timbers core-free, thus decreasing occurrences of cracking



concealed head

large surface for pressure distribution, prevents water from getting inside, protects the bolt head



chains

short-link chains, 6 mm, welded before hot-dip galvanisation (stainless steel chain available on request)



distance fitting

to avoid entrapment of chords



Dimensions

(small deviations possible)

length 2.35 m
 weight 80 kg

order No 3.69515

Components

1 climbing trunk with chain handrail and stand post

Installation information

Surfacing requirements corresponding to a fall height of ≤ 1.50 m (please refer to price list for more detailed information)

Foundations

1 item 60 x 60 x 50 cm
 excavation depth 70 cm

Attention:

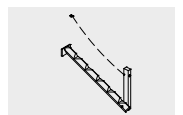
Exact measurements may vary; for all installation dimensions refer to current assembly instructions.

Technical changes reserved.

Equipment also available with steel feet.

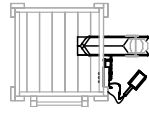
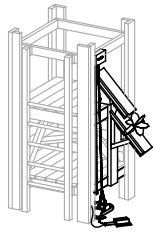


3.69505



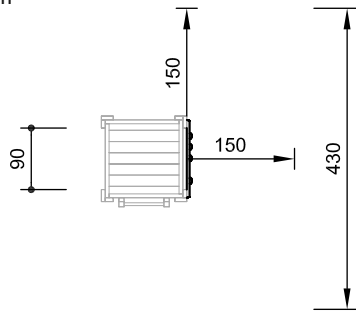
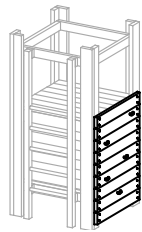
3.69515

Sand Play Equipment
Order No 3.19100
 for attachment to Huts 1.50 m



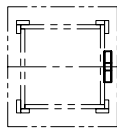
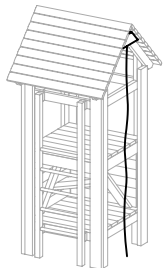
scale 1:100

Climbing Wall
Order No 3.67503
 for attachment to Huts 1.50 m

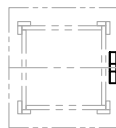
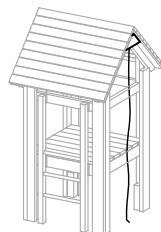


scale 1:100

Climbing Rope
Order No 3.69430
 for attachment to Platform Hut 1.50 m
 with Roof



Climbing Rope
Order No 3.69433
 for attachment to Platform Hut 1.00 m
 with Roof



scale 1:100

safety check according to EN 1176

Order No. 3.69430/3.69433

Components

1 climbing rope with fitting for roof of platform hut

Installation information

Surfacing requirements corresponding to a fall height of
Order No. 3.69430 ≤ 2.00 m
Order No. 3.69433 ≤ 1.50 m
 (please refer to price list for more detailed information)

Foundations
 1 item 30 x 30 x 30 cm
 excavation depth 50 cm

Attention:
Exact measurements may vary;
for all installation dimensions refer to current assembly instructions.
 Technical changes reserved.



3.19100



3.67503



3.69430/3.69433

Technical information

Order No 3.19100

equipment of non-impregnated mountain larch

core-free timber

sawn timbers core-free, thus decreasing occurrences of cracking



brass bush

for all to and fro movements we use sintered metal bearings which allow for self-lubrication while in use and are easy to exchange if required



sand container of textile-reinforced PAH-free rubber belt, 8 mm thick

sand wheel hot-dip galvanised

Components

1 sand hoist with shovel
 1 2-level sand chute with sand wheel

Installation information

Surfacing requirements
 Sand is required for correct functioning.

Order No 3.67503

climbing wall of non-impregnated mountain larch

core-free timber

sawn timbers core-free, thus decreasing occurrences of cracking



tongue and groove

climbing wall of 40 mm tongue and boarding



professional climbing grips made of a mixture of sand/synthetic resin with 100% safe anti-rotation system against unintended twisting of the grips

Dimensions

(small deviations possible)
 height 1.50 m
 width 0.90 m
 weight 50 kg

Components

1 attached climbing wall
 5 climbing grips

Installation information

Surfacing requirements corresponding to a fall height of ≤ 1.50 m (please refer to price list for more detailed information)

Order No. 3.69430/3.69433

Corocord® rope

special ropes of "Hercules type"
 climbing rope of 22 mm six-strand Corocord® rope of the special "Hercules type", abrasion-protected through heating of the six steel strands and melting the polyamide sleeve onto them, standard colour rainbow



rope connection fixed

close fitting connection without dangerous openings, anchoring to the ground with chain



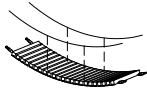
Dimensions

(small deviations possible)
Order No. 3.69430/3.69433
 installation height 3.00/2.50 m
 weight 5 kg

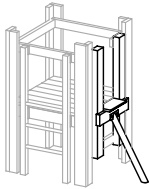
Please refer to the price list for a more detailed explanation of the quality characteristics.

SUPPORT FRAMES

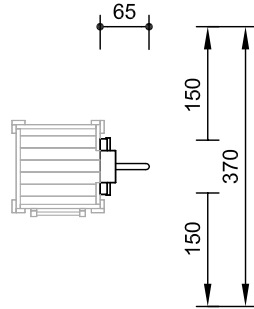
for Suspension Bridges
Order No 3.66090 ff.



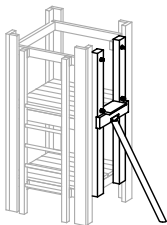
Order No 3.66057



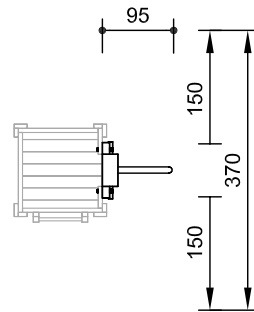
installation height 1.00 m



Order No 3.66055



installation height 1.50 m

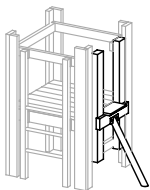


scale 1:100

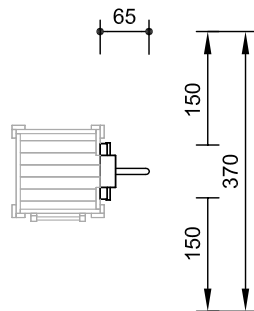
for Rope Bridges
Order No 3.66550 ff.



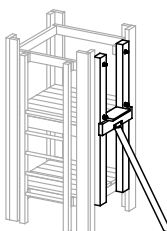
Order No 3.66647



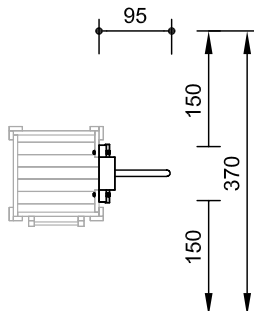
installation height 1.00 m



Order No 3.66645



installation height 1.50 m



scale 1:100

Technical information

all support frames of non-impregnated mountain larch

core-free timber

sawn timbers core-free, thus decreasing occurrences of cracking



plywood

starting board of three-layer waterproof plywood of mountain larch, 30 mm



concealed head

large surface for pressure distribution, prevents water from getting inside, protects the bolt head



metal braces hot-dip galvanised, Ø 83 mm

Components

1 frame each with metal brace

Installation information

Surfacing requirements corresponding to a fall height determined by installation height (please refer to price list for more detailed information)

Foundations

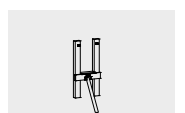
1 item 60 x 60 x 40 cm excavation depth 60 cm

Attention:

Exact measurements may vary; for all installation dimensions refer to current assembly instructions.
Technical changes reserved.



3.66055/3.66645

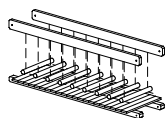


3.66057/3.66647

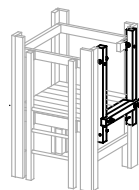
Please refer to the price list for a more detailed explanation of the quality characteristics.

SUPPORT FRAMES

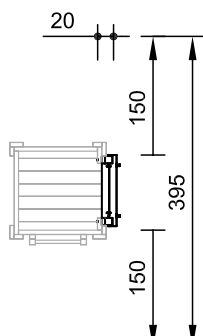
for Chain Paths
Order No. 3.66260 ff.



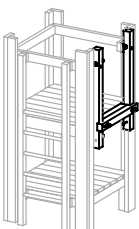
Order No 3.66290



installation
 height 1.00 m

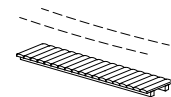


Order No 3.66290

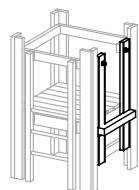


installation
 height 1.50 m

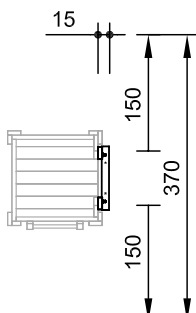
for Bridge with Chain Handrail
Order No 3.66320 ff.



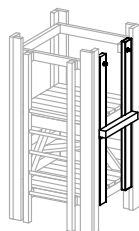
Order No 3.66367



installation
 height 1.00 m

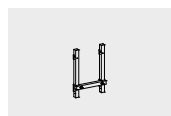


Order No 3.66360

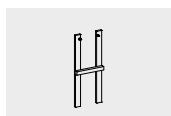


installation
 height 1.50 m

safety check according to EN 1176



3.66290



3.66360



3.66367

Technical information

all support frames of non-impregnated mountain larch

core-free timber
 sawn timbers core-free, thus decreasing occurrences of cracking



Components

1 frame each

Installation information

Surfacing requirements
 fall height determined by installation height (please refer to price list for more detailed information)

Attention:
Exact measurements may vary;
for all installation dimensions refer to current assembly instructions.
 Technical changes reserved.

scale 1:100



scale 1:100

Please refer to the price list for a more detailed explanation of the quality characteristics.

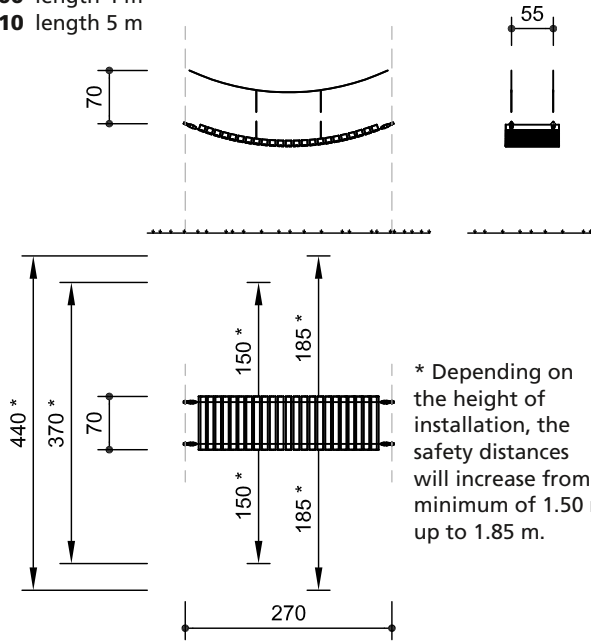
Running Boards for Suspension Bridges with chain handrails

Order No.

3.66090 length 3 m

3.66100 length 4 m

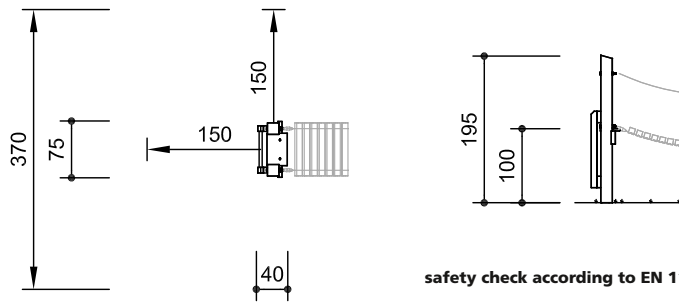
3.66110 length 5 m



Order No. 3.66033

End Frame with Ladder

scale 1:100



Installation information

Surfacing requirements depends on the installation conditions (please refer to price list for more detailed information)

Foundations

Order No. 3.66033 End Frame

1 item 125 x 120 x 60 cm

excavation depth 80 cm

Attention:

Exact measurements may vary; for all installation dimensions refer to current assembly instructions.

Technical changes reserved.

Technical information

wooden parts of non-impregnated mountain larch

core-free timber

sawn timbers core-free, thus decreasing the occurrences of cracking, individually fastened to carrying ropes



rope connection with joint

close fitting connection without dangerous openings; the bearing consists of one brass bush



concealed head

large surface for pressure distribution, prevents water from getting inside, protects the bolt head



adjustable

easy to maintain, no projecting threads after re-tightening due to two-piece bolt connection



brass bush

for all to and fro movements we use bush bearings which allow for self-lubrication while in use and are easy to exchange if required



chains

short-link handrail chains, 6 mm, of stainless steel



carrying rope Ø 18 mm of "Hercules type" with steel core, suspended on drop-forged joints

Order No. 3.66033

End frame with Ladder

angle cut

vertical stand posts with angle cut in the end grain section as constructive wood preservation



core-free timber

sawn timbers core-free, thus decreasing the occurrences of cracking



hardwood rungs

climbing rungs of hardwood, milled and mortised, Ø 42 mm



plywood

starting board made of three-layer waterproof plywood made of mountain larch, 30 mm



ground anchor

all parts used for anchoring made of hot-dip galvanised steel



Dimensions

(small deviations possible)

walkway length 2.70/3.70/4.60 m

walkway width 0.70 m

running boards 75 x 75 mm

weight 50/80/95 kg

end frame 100 kg

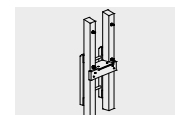
Components

Order No. 3.66033

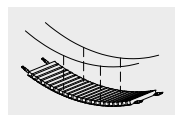
1 end frame made of square timber with steel feet and ladder for huts

Order No. 3.66090/3.66100/3.66110

1 walkway (running boards) with chain handrails and distance battens



3.66033



3.66090-3.66110

Please refer to the price list for a more detailed explanation of the quality characteristics.

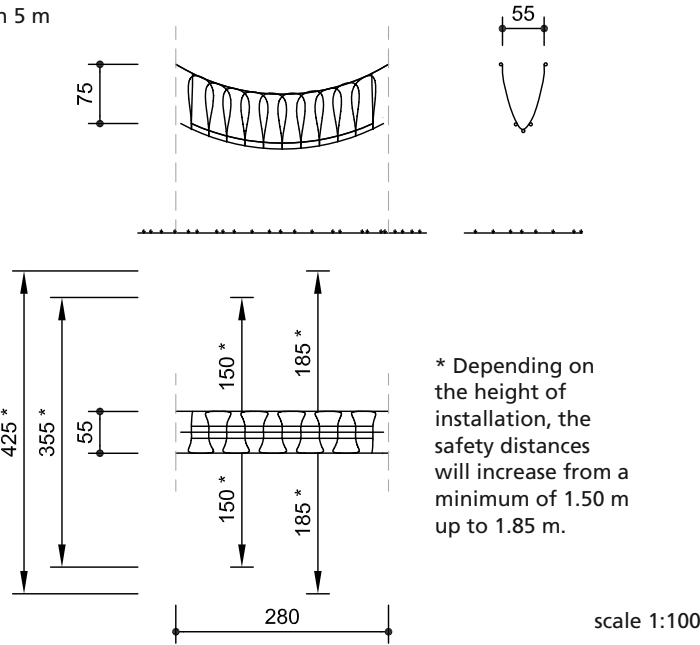
Running Boards for Rope Bridges

Order No.

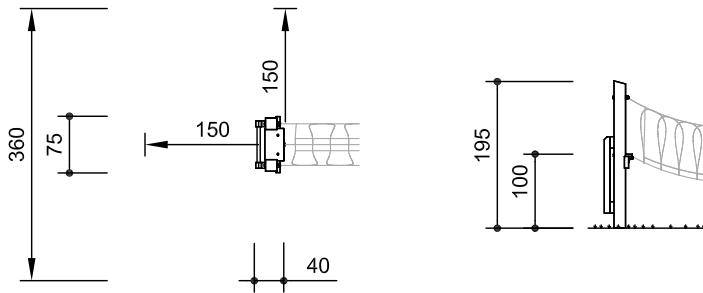
3.66550 length 3 m

3.66560 length 4 m

3.66570 length 5 m



Order No. 3.66523
End Frame with Ladder



safety check according to EN 1176



Components

Order No. 3.66523
1 end frame with steel feet and ladder

Order No. 3.66550/3.66560/3.66570
1 rope bridge with distance battens

Installation information

Surfacing requirements corresponding to a fall height of depends on the installation conditions (please refer to price list for more detailed information)

Foundations

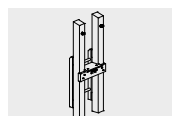
Order No. 3.66523 End Frame

1 item 125 x 120 x 60 cm
excavation depth 80 cm

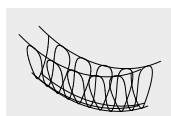
Attention:

Exact measurements may vary; for all installation dimensions refer to current assembly instructions.

Technical changes reserved.



3.66523



3.66550-3.66570

Technical information

Corocord® rope special ropes of "Hercules type"

rope bridges of 19 mm six-strand Corocord® rope of the special "Hercules type", abrasion-protected through heating of the six steel strands and melting the polyamide sleeve onto them, standard colour red



aluminium swages

double-conical aluminium swages with rounded-off ends



S-clamps

neatly rounded Corocord® S-clamps made of stainless steel, Ø 8 mm



rope connection with joint

close fitting connection without dangerous openings; the bearing consists of one brass bush



concealed head

large surface for pressure distribution, prevents water from getting inside, protects the bolt head



adjustable

easy to maintain, no projecting threads after re-tightening due to two-piece bolt connection



brass bush

for all to and fro movements we use bush bearings which allow for self-lubrication while in use and are easy to exchange if required



End Frame with Ladder

Order No. 3.66523

equipment of non-impregnated mountain larch

angle cut

vertical stand posts with angle cut in the end grain section as constructive wood preservation



core-free timber

sawn timbers core-free, thus decreasing the occurrences of cracking



hardwood rungs

climbing rungs of hardwood, milled and mortised, Ø 42 mm



plywood

starting board made of three-layer waterproof plywood made of mountain larch, 30 mm



ground anchor

all parts used for anchoring to the ground made of hot-dip galvanised steel



Dimensions

(small deviations possible)

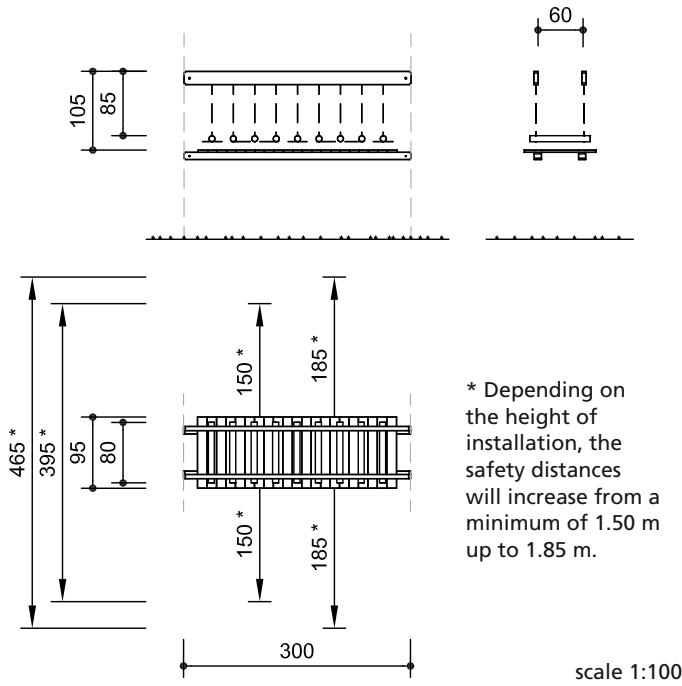
bridge length	2.80/3.80/4.70 m
width	0.55 m
weight	40/53/66 kg
end frame	100 kg

Please refer to the price list for a more detailed explanation of the quality characteristics.

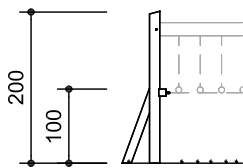
Running Board Timbers for Chain Path with safety board

Order No. 3.66260 length 3 m

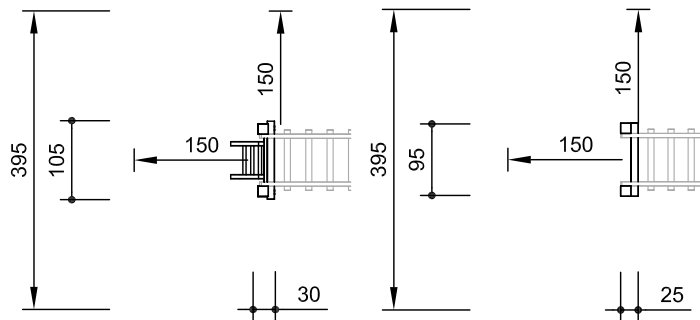
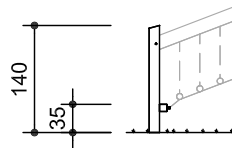
Order No. 3.66270 length 4 m



**Order No. 3.66223
End Frame with Ladder**



**Order No. 3.66230
End Frame for Inclined Chain Path**



safety check according to EN 1176

Components

Order No. 3.66260/3.66270

2 handrails with running board timbers and chains
1 safety board

Order No. 3.66263/3.66273

2 handrails with running board timbers and chains

Order No. 3.66223

1 end frame with ladder
made of square timber for huts

Order No. 3.66230

1 end frame for inclined chain path of square timber for huts

Attention:

Exact measurements may vary; for all installation dimensions refer to current assembly instructions.

Technical changes reserved.

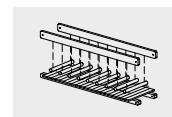
End frames also available with steel feet.



3.66223



3.66230



3.66260 - 3.66270



3.66263 - 3.66273

Technical information

equipment of non-impregnated mountain larch

core-free timber

sawn timbers core-free, thus decreasing the occurrences of cracking



concealed head

large surface for pressure distribution, prevents water from getting inside, protects the bolt head



adjustable

no projecting threads after re-tightening due to two-piece bolt connection and therefore easy to maintain



chains

suspended on short-link chains 6 mm, welded before hot-dip galvanisation (stainless steel chains available on request)



Order No 3.66223/3.66230

End Frames

stand posts of oak, horizontal timbers and ladder beams of non-impregnated mountain larch

angle cut

vertical stand posts with angle cut in the end grain section as constructive wood preservation



core-free timber

sawn-timbers are core-free, by that formation of cracks can be reduced



**Order No. 3.66223 with Ladder
hardwood rungs**

climbing rungs of hardwood, milled and mortised, Ø 42 mm



Dimensions

(small deviations possible)

handrail length	3.00/4.00 m
width	0.95 m
running boards	Ø 80 mm
weight	120/160 kg
end frame with ladder	100 kg
end frame for inclined chain path	70 kg

Installation information

Surfacing requirements corresponding to a fall height of depends on the installation conditions (please refer to price list for more detailed information)

Foundations

Order No. 3.66223

End Frame with Ladder

2 items 60 x 60 x 60
excavation depth 80 cm
1 item 60 x 30 x 30
excavation depth 50 cm

Order No. 3.66230

End Frame for Inclined Chain Path

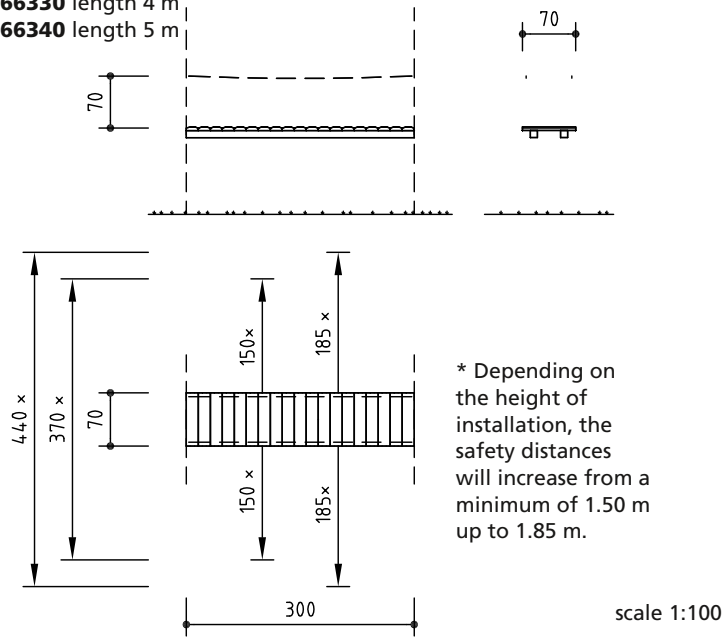
2 items 60 x 60 x 50
excavation depth 70 cm

Rigid Bridge with chain handrail

Order No. 3.66320 length 3 m

Order No. 3.66330 length 4 m

Order No. 3.66340 length 5 m

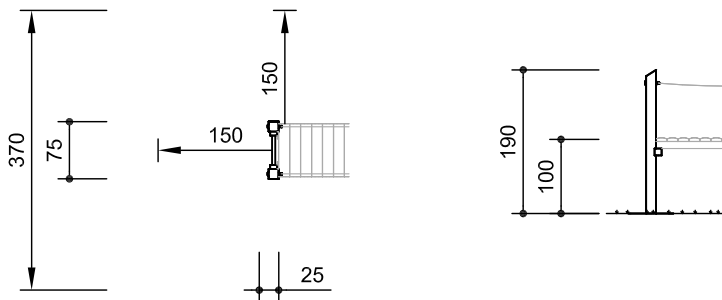


* Depending on the height of installation, the safety distances will increase from a minimum of 1.50 m up to 1.85 m.

scale 1:100

Order No. 3.66386

End Frame with Ladder



safety check according to EN 1176

Components

Order No. 3.66300

1 rigid bridge, length 3 m

order No. 3.66320/3.66330/3.66340

1 rigid bridge with chain handrails length 3, 4, 5 m

Order No. 3.66386

1 end frame of square timber for huts

Installation information

Surfacing requirements corresponding to a fall height of depends on the installation conditions (please refer to price list for more detailed information)

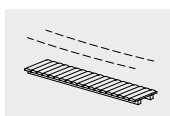
Foundations

Order No. 3.66386 End Frame

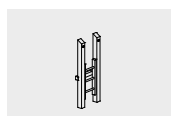
1 item 120 x 60 x 50 cm excavation depth 70 cm



3.66300



3.66320-3.66340



3.66386



Technical information

equipment of non impregnated mountain larch

core-free timber

sawn timbers core-free, thus decreasing occurrences of cracking



3

claddings

thickness 4 - 5 cm, de-barked by hand



4

concealed head

large surface for pressure distribution, prevents water from getting inside, protects the bolt head



29

chains

suspended on short-link chains, 6 mm, welded before hot-dip galvanisation (stainless steel chains available on request)



43

Order No. 3.66383 End Frame of Square Timber for Huts

stand posts of oak

angle cut

vertical stand posts with angle cut in the end grain section as constructive wood preservation



1A

core-free timber

sawn timbers core-free, thus decreasing the occurrences of cracking



3

hardwood rungs

climbing rungs of hardwood, milled and mortised, Ø 42 mm



8

Dimensions

(small deviations possible)

length of bridge	3.00/4.00/5.00 m
width	0.70 m
weight	110/146/183 kg
end frame	50 kg

Attention:

Exact measurements may vary; for all installation dimensions refer to current assembly instructions.

Technical changes reserved.

End frame also available with steel feet.

Please refer to the price list for a more detailed explanation of the quality characteristics.

A Standard Combination Elements for Individual Play Installations

- 1 Huts
- 2 **Towers**
- 3 Platforms
- 4 Combinations · Examples
- 5 Triangular Platform
- 6 Special Towers

A 2 Towers

Order No.
Item page



3.20500 27
Square Tower



3.20530 29
Transparent Tower



3.20600 27
Square Tower
with Roof



3.20630 29
Transparent Tower
with Roof

Play value

The claddings of the tower walls are de-barked by hand allowing them to retain the natural structure of the wood. This means you can still feel where the branches used to grow on the tree, and the grain remains visible. The natural surface is more important to us than the cost savings of using industrial production. The playrooms of our towers are also little individual play-house offers and their size matches that of a child's perception. By providing intermediate floors, cosy little rooms are created; some are fitted with a hatch. A bench in the bottom room is an inviting place to meet for a chat where children feel sheltered and protected. Climbing up to the next floor in the tower is also very exciting. The various combination elements such as slide, suspension bridge, chain path etc. make the tower especially appealing. To enhance the transparency, the side walls of the tower can be fitted with four lookout slits at an additional charge.



Order No. 3.20500 Square Tower



Fundamental characteristics

- high-quality design
- very special appeal
- versatile opportunities for combination
- rooms for play inside
- incentive for playing: experiencing height, cosy rooms
- exercise activity: climbing, role-playing games

Suitable

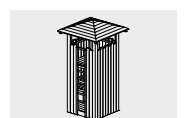
- for children from 5 years of age
- for public playgrounds
- kindergartens
- children's homes

Towers for combination

Square Tower
Square Tower with Roof

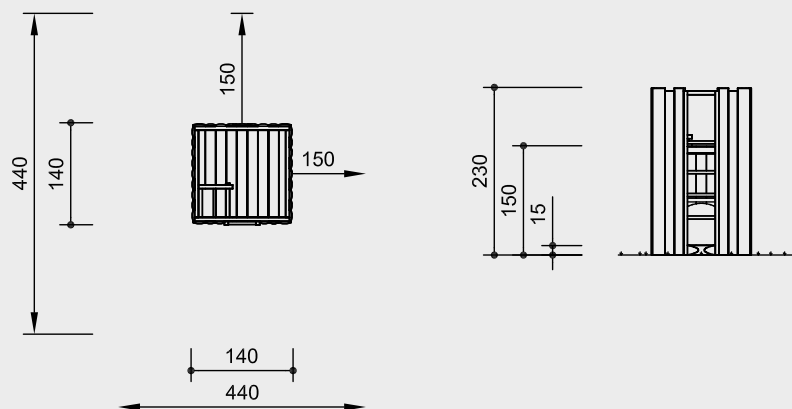


3.20500

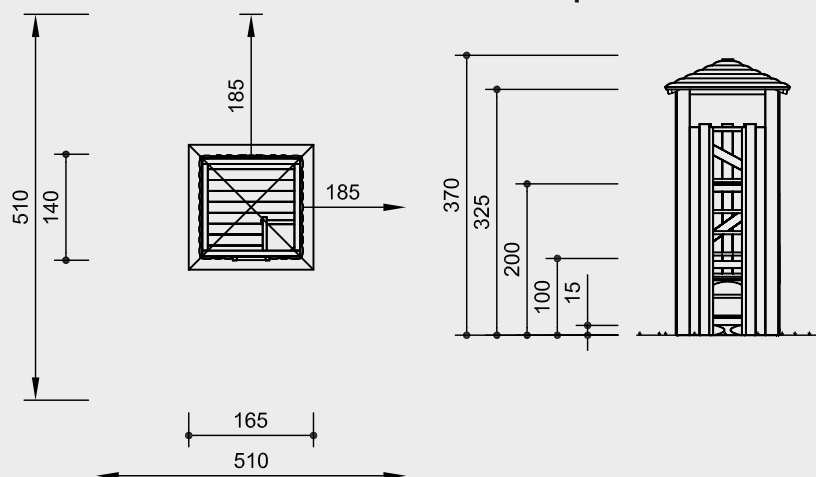


3.20600

Order No. 3.20500 Square Tower



Order No. 3.20600 Square Tower with Roof



scale 1:100

safety check according to EN 1176

Technical information

cladding panels of spruce/fir, boiler pressure impregnated according to DIN 68800-3, use class 4, all other wooden parts made of non-impregnated mountain larch

core-free timber

sawn timbers core-free, thus decreasing occurrences of cracking

claddings

thickness 3 – 5 cm, de-barked by hand

hardwood rungs

climbing rungs of hardwood, milled and mortised, Ø 42 mm

ground anchor

all parts used for anchoring to the ground made of hot-dip galvanised steel



Please refer to the price list for a more detailed explanation of the quality characteristics.

completely assembled construction

Dimensions

(small deviations possible)

Order No. 3.20500 Square Tower

height	2.30 m
floor heights	0.15 m
	1.50 m
footprint	1.40 x 1.40 m
weight	350 kg

Order No 3.20600 Square Tower with Roof

height	3.70 m
floor heights	0.15 m
	1.00 m
	2.00 m
footprint	1.40 x 1.40 m
with roof	1.65 m x 1.65 m
weight	550 kg

Components

Order No 3.20500

- 1 tower with:
 - 2 floors, 1 ladder
 - 1 bench in the lower room
 - 1 passageway
- 4 steel feet

Order No 3.20600

- 1 tower with:
 - 3 floors, 1 ladder
 - 1 bench in the lower room
 - 1 passageway from 1st to 2nd floor
- 1 roof
- 4 steel feet

Installation information

Surfacing requirements
Tower corresponding to a fall height of ≤ 1.50 m
Tower with Roof corresponding to a fall height of ≤ 2.00 m
 (please refer to price list for more detailed information)

Foundations
 4 items 50 x 50 x 55 cm
 excavation depth 75 cm

Attention:
Exact measurements may vary; for all installation dimensions refer to current assembly instructions.
 Technical changes reserved.
Equipment also available made of larch.



3.20500



3.20600

Play value

Our Transparent Towers are a very special play experience. Intermediate floors create small rooms that invite the children to hide away and engage in different kinds of role-playing games. The playroom in the bottom part of the tower offers a small bench and additional incentives for playing. A ladder installed on the outside can be used to climb up to the upper playing surface. The tower has a roof, and there is a passageway that connects the lower level with the upper one. Thanks to the gaps between the claddings, the towers are "transparent", making them appear cosy and at the same time light and open.

Planning information

The following pieces of equipment **cannot** be combined with the tower:

- Inclined Climbing Net
- Vertical Climbing Net
- Swing
- Balancing Rope with Holding Rope



Fundamental characteristics

- high-quality design
- very special appeal
- versatile opportunities for combination
- rooms for play inside
- incentive for playing: experiencing height, cosy rooms despite "transparency"
- exercise activity: climbing, role-playing games

Suitable

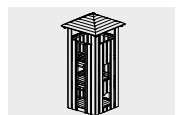
- for children from 5 years of age
- for public playgrounds
- kindergartens
- children's homes

Towers for combination

Transparent Square Tower
Transparent Square Tower with Roof

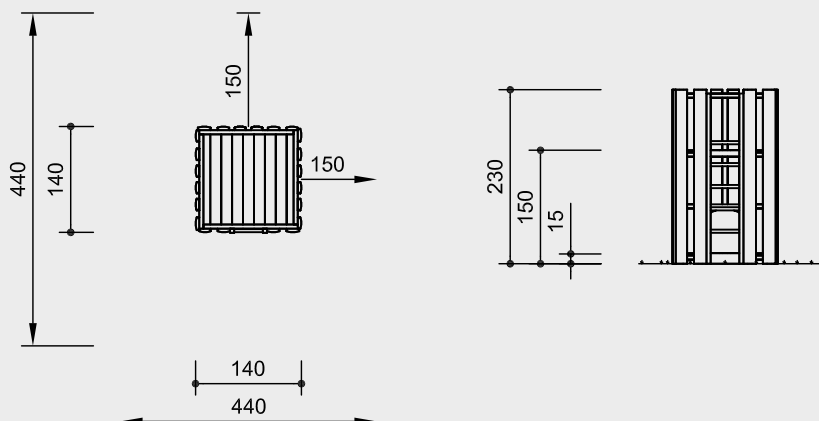


3.20530

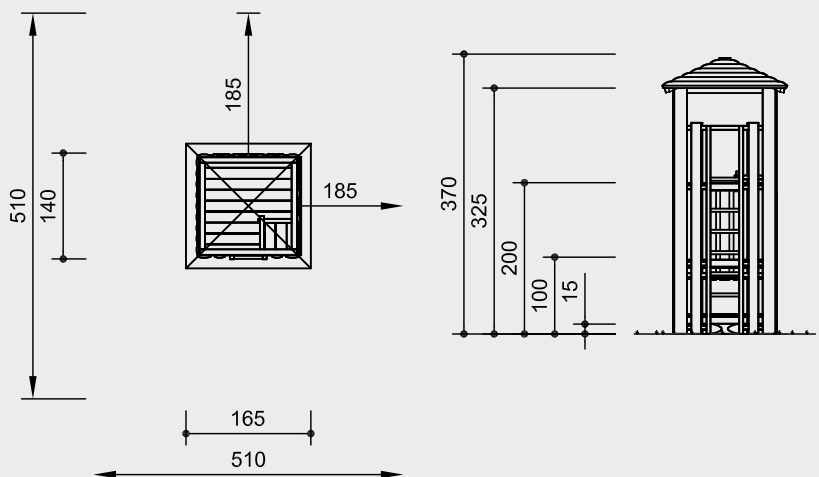


3.20630

**Order No 3.20530
Transparent Square Tower**



**Order No. 3.20630
Transparent Square Tower with Roof**



scale 1:100

safety check according to EN 1176

Technical information

cladding panels of spruce/fir, boiler pressure impregnated according to DIN 68800-3, use class 4, all other wooden parts made of non-impregnated mountain larch

core-free timber

sawn timbers core-free, thus decreasing occurrences of cracking

claddings

thickness 3 - 5 cm, de-barked by hand

hardwood rungs

climbing rungs of hardwood, milled and mortised, Ø 42 mm

ground anchor

all parts used for anchoring to the ground made of hot-dip galvanised steel



Please refer to the price list for a more detailed explanation of the quality characteristics.

completely assembled construction

Dimensions

(small deviations possible)

Order No. 3.205300

Transparent Square Tower

height 2.30 m
 floor heights 0.15 m
 1.50 m
 footprint 1.40 x 1.40 m
 weight 300 kg

Order No. 3.20630

Transparent Square Tower with Roof

height 3.70 m
 floor heights 0.15 m
 1.00 m
 2.00 m
 footprint 1.40 x 1.40 m
 with roof 1.65 m x 1.65 m
 weight 500 kg

Components

Order No 3.20530

1 tower with:
 2 floors, 1 ladder
 1 bench in the lower room
 1 passageway
 4 steel feet

Order No. 3.20630

1 tower with:
 3 floors, 1 ladder
 1 bench in the lower room
 1 passageway from 1st to 2nd floor
 1 roof
 4 steel feet

Installation information

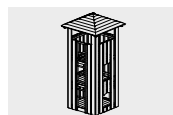
Surfacing requirements
Tower corresponding to a fall height of ≤ 1.50 m
Tower with Roof corresponding to a fall height of ≤ 2.00 m
 (please refer to price list for more detailed information)

Foundations
 4 items 50 x 50 x 55 cm
 excavation depth 75 cm

Attention:
Exact measurements may vary; for all installation dimensions refer to current assembly instructions.
 Technical changes reserved.
Equipment also available made of larch.



3.20530

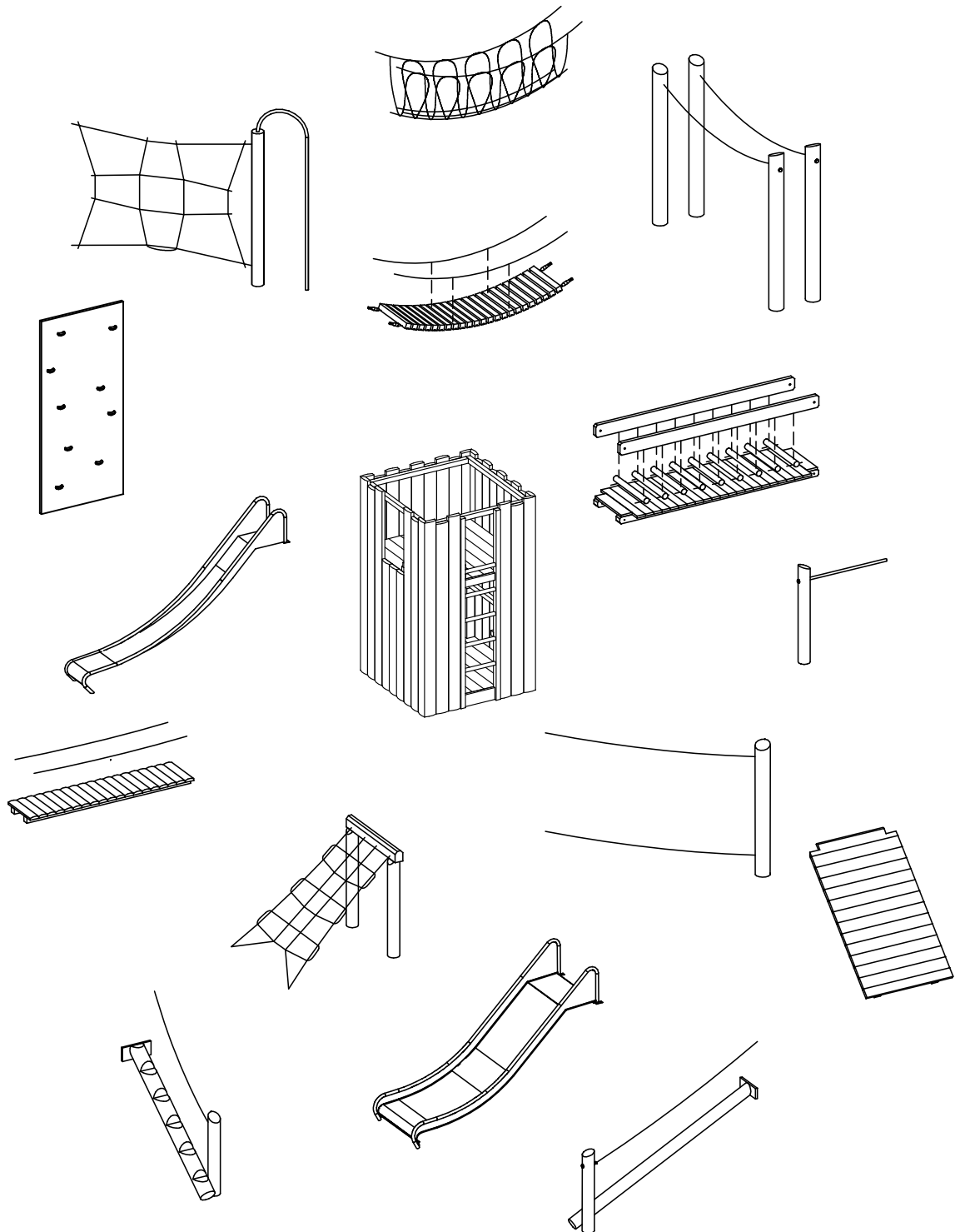


3.20630


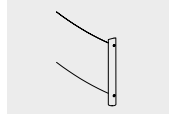

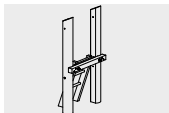
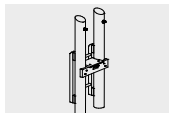

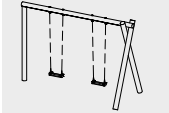





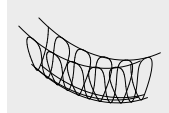

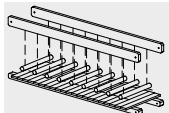
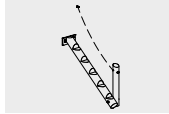
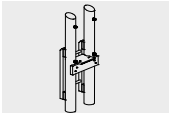



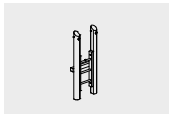

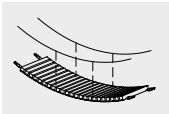

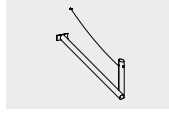
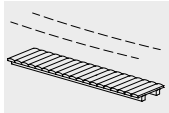
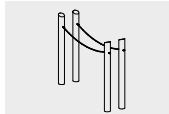


Standard elements for combination
with Towers

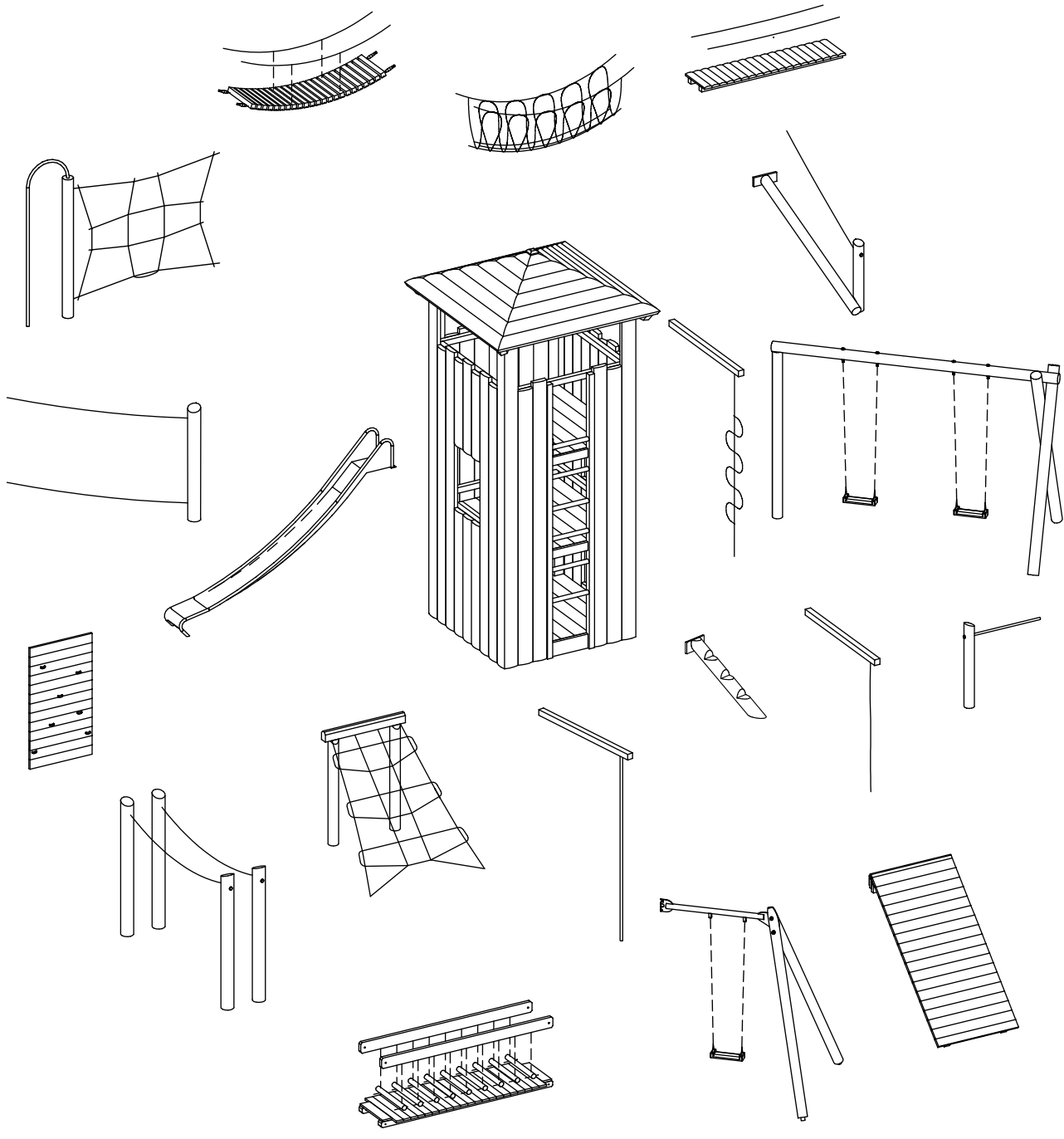
**Standard elements for combination
with Tower 1.50 m
Order No 3.20500**




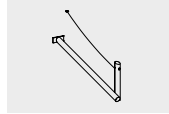

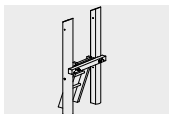
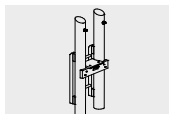
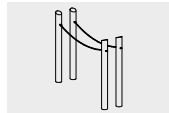
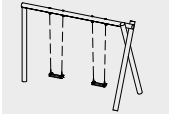

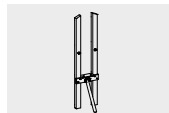
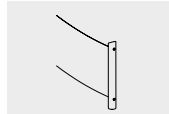




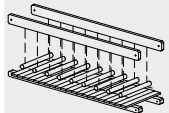
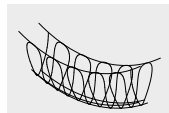

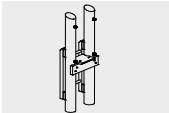







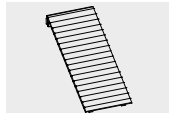

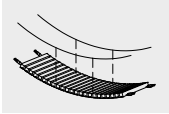
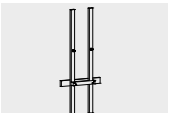


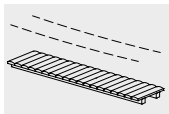
Standard elements for combination with Towers 1.50 m

Order No. Product name	Page	Order No. Product name	Page	Order No. Product name	Page	Order No. Product name	Page
 3.19030 High Swing	15	Chain Path Elements		Rope Bridge Elements		 3.69010 Balancing Rope with Holding Rope	17
 3.19032 High Swing special	19	 3.66220 End Frame with Ladder	12	 3.66520 End Frame with Ladder	20	 3.69105 Inclined Climbing Net	17
 3.19040 High Twin Swing	14	 3.66230 End Frame for Inclined Path w/o safety board	14	 3.66603 Support Frame	16	 3.69350 Vertical Climbing Net	17
 3.19042 High Twin Swing special	14	 3.66240 Support Frame	14	 3.66550 ff. Rope Bridge 3, 4, 5 m	16	 3.69510 Climbing Trunk with chain handrail	17
Suspension Bridge Elements		 3.66260 ff. Handrails and Running Board Timbers path 3, 4 m	19	Miscellaneous		 3.63020 Stainless Steel Slide	17
 3.66030 End Frame with Ladder	12	Bridge Elements		 3.67504 Climbing Wall	20	 3.63320 Stainless Steel Slide	17
 3.66045 Support Frame	19	 3.66387 End Frame with Ladder	19	 3.67513 Inclined Wall	19		
 3.66090 ff. Running Boards 3, 4, 5 m	19	 3.66352 Support Frame	19	 3.68300 Inclined Balancing Beam with chain handrail	14		
		 3.66320 ff. Bridge 3, 4, 5 m with chain handrails	19	 3.68500 Double Hanging Rope	17		

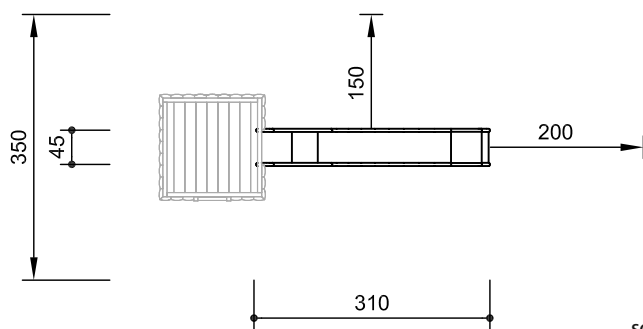
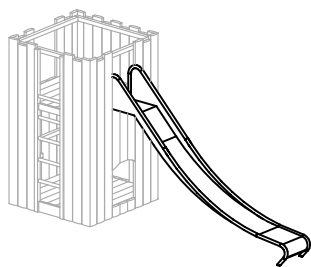
**Standard elements for combination
with Tower with Roof 2.00 m
Order No 3.20600**



Standard elements for combination with Towers with Roof 2.00 m

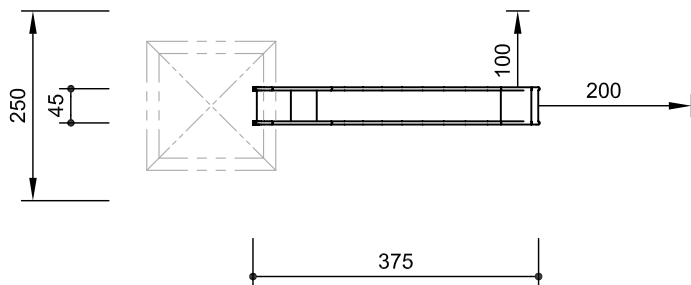
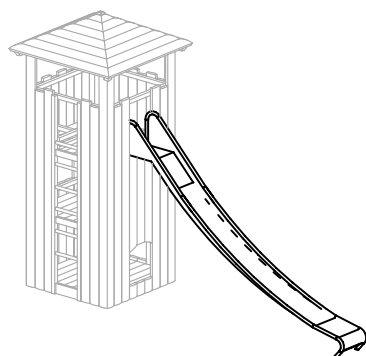
Order No. Product name	Page	Order No. Product name	Page	Order No. Product name	Page	Order No. Product name	Page
 3.19030 High Swing	15	Chain Path Elements		Rope Bridge Elements		 3.68300 Inclined Balancing Beam with chain handrail	14
 3.19032 High Swing special	19	 3.66220 End Frame with Ladder	12	 3.66520 End Frame with Ladder	20	 3.68500 Double Hanging Rope	17
 3.19040 High Twin Swing	14	 3.66230 End Frame for Inclined Path w/o safety board	14	 3.66593 Support Frame installation height 1.00 m	16	 3.69010 Balancing Rope with Holding Rope	17
 3.19042 High Twin Swing special	14	 3.66240 Support Frame	14	 3.66613 Support Frame installation height 2.00 m	16	 3.69103 Inclined Climbing Net	17
Suspension Bridge Elements		 3.66260 ff. Handrails and Running Board Timbers path 3, 4 m	19	 3.66550 ff. Rope Bridge 3, 4, 5 m	16	 3.69350 Vertical Climbing Net	17
 3.66030 End Frame with Ladder	12	Bridge Elements		Miscellaneous		 3.63420 Stainless Steel Slide	18
 3.66005 Support Frame installation height 1.00 m	19	 3.66387 End Frame with Ladder	19	 3.67502 Climbing Wall	20	 3.69410 Climbing Ladder w. Beam	17
 3.66065 Support Frame installation height 2.00 m	19	 3.66350 Support frame installation height 1.00 m	19	 3.67510 Inclined Wall	19	 3.69450 Swing Rope with Beam	17
 3.66090 ff. Running Boards 3, 4, 5 m	19	 3.66351 Support Frame installation height 2.00 m	12	 3.69440 Holding Rope installation height 2.00 m	19	 3.69500 Climbing Trunk installation height 1.00 m	17
		 3.66320 ff. Bridge 3, 4, 5 m with chain handrails	19				

Stainless Steel Slide
Order No 3.63020
 for attachment to Tower 1.50 m



scale 1:100

Stainless Steel Slide
Order No 3.63420
 for attachment to Tower with Roof 2.00 m



scale 1:100

safety check according to EN 1176



3.63020/3.63420

Technical information

one-piece construction

total construction of slide of 2 mm stainless steel, mould-profiled longitudinally, no welding seams along the slide surface, slide walls glass bead blasted



handrail tube Ø 42 mm

ground anchor of oak heartwood

Dimensions

(small deviations possible)

Order No 3.63020

sliding width 0.45 m
 sliding length 2.85 m
 weight 53 kg

Order No 3.63420

sliding width 0.45 m
 sliding length 3.65 m
 weight 69 kg

Components

1 slide with ground anchor

Installation information

Surfacing requirements corresponding to a fall height determined by installation height, otherwise depending on the installation situation (please refer to price list for more detailed information)

Foundations
 excavation depth for ground anchor 55 cm

Attention:
Exact measurements may vary;
for all installation dimensions refer to current assembly instructions.
 Technical changes reserved.



Note

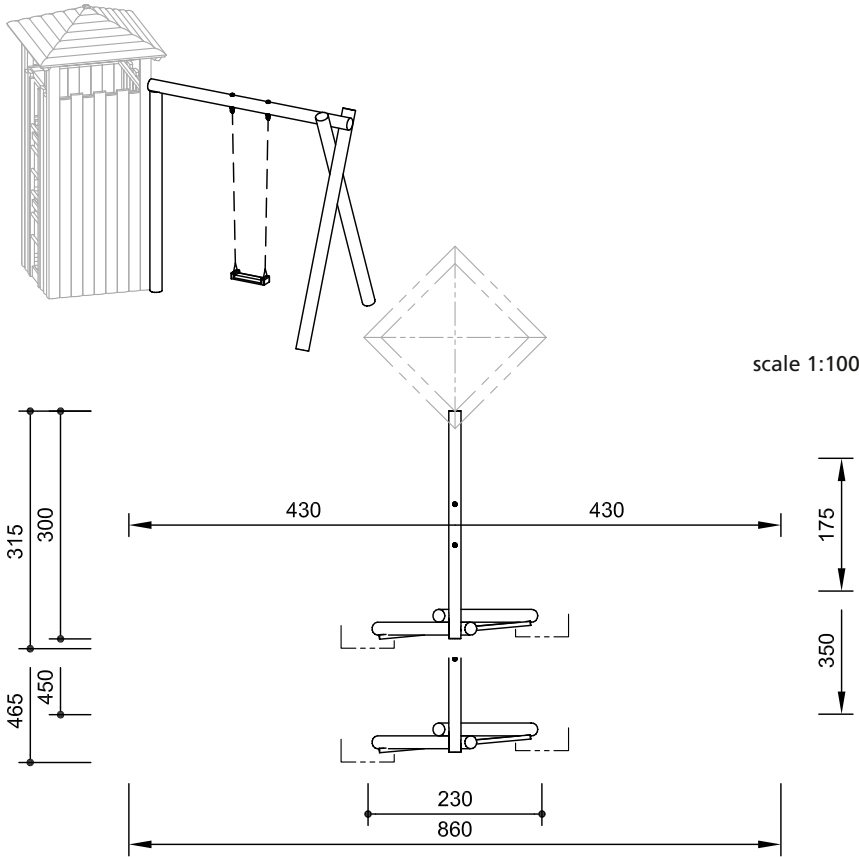
The Slides shown on this page are examples from our standard slide range. For additional types of slides please refer to Movement > Sliding.

Note on installation

Avoid orientation of the slide to the south (heating up of material).

Please refer to the price list for a more detailed explanation of the quality characteristics.

High Swing Order No. 3.19030
High Twin Swing Order No. 3.19040
 for attachment to tower corner



For a description of the materials used for the attachment swings, please refer to Movement > Swinging.

Dimensions
 (small deviations possible)

Order No	3.19030	3.19040
height	3.15 m	3.15 m
vertical clearance	2.80 m	2.80 m
length	3.00 m	4.50 m
width	2.30 m	2.30 m
weight	210 kg	240 kg

Order No	3.19032	3.19042
height	3.00 m	3.00 m
vertical clearance	2.80 m	2.80 m
length	2.60 m	3.80 m
width	2.25 m	2.25 m
weight	130 kg	150 kg

Components

Order No 3.19030/3.19040

- 3 stand posts
- 1 cross beam with joints
- 1 or 2 swing seat(s) with chains

Order No. 3.19032/3.19042

- 2 stand posts with steel feet
- 1 cross beam made of steel with joints
- 1 or 2 swing seat(s)

Installation information

Surfacing requirements corresponding to a fall height of ≤ 2.00 m (please refer to price list for more detailed information)

Foundations

Order No 3.19030/3.19040

- 2 items 60 x 70 x 60 cm
- 1 item 60 x 60 x 60 cm
- excavation depth 80 cm

Order No. 3.19032/3.19042

- 2 items 60 x 70 x 40 cm
- excavation depth 60 cm

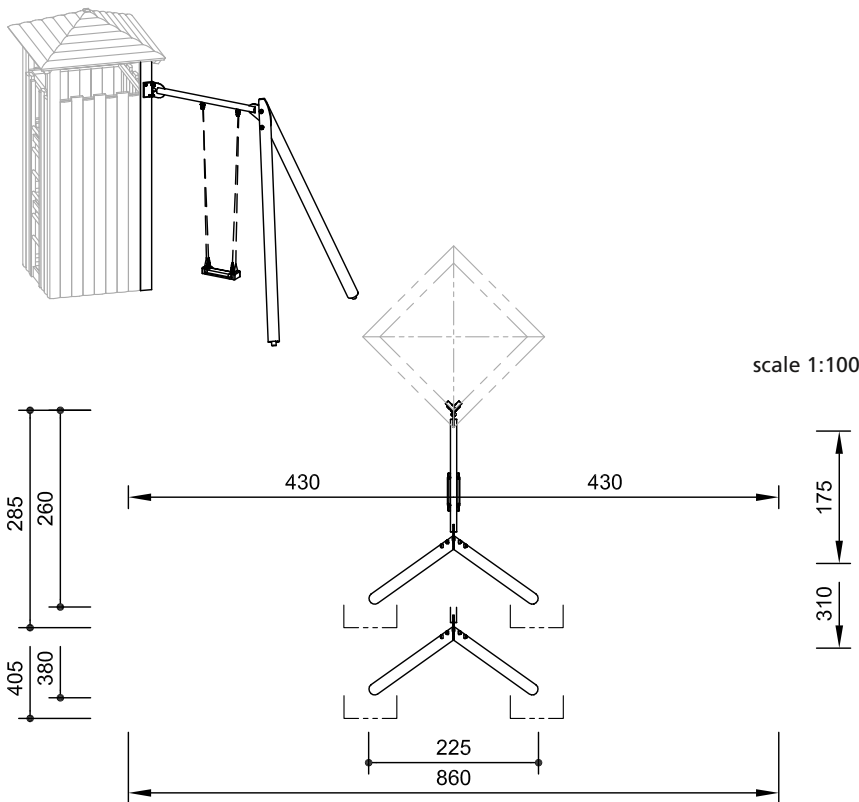
Attention:

Exact measurements may vary; for all installation dimensions refer to current assembly instructions.

Technical changes reserved.

Order No. 3.19030 and 3.19040 also available with steel feet.

High Swing special Order No. 3.19032
High Twin Swing special Order No. 3.19042
 for attachment to tower corner



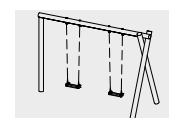
safety check according to EN 1176



3.19030



3.19032



3.19040

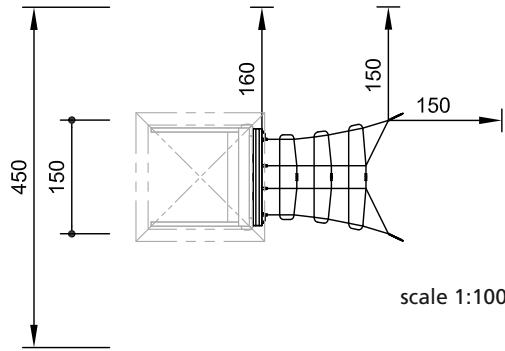
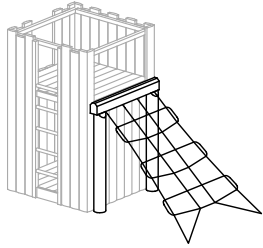


3.19042

Inclined Climbing Net

Order No 3.69105

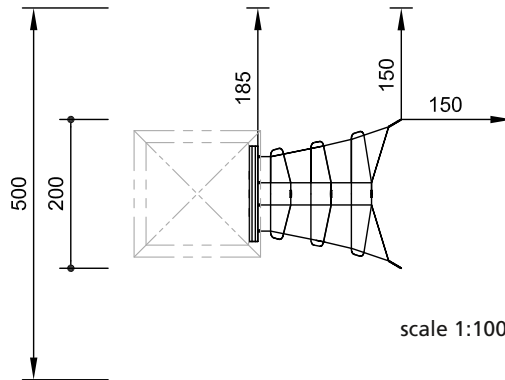
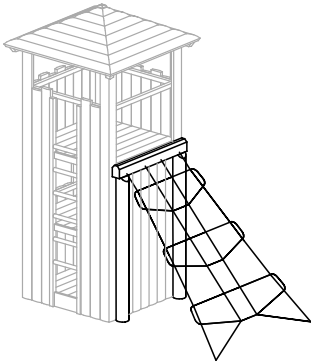
for attachment to Tower 1.50 m



Inclined Climbing Net

Order No 3.69103

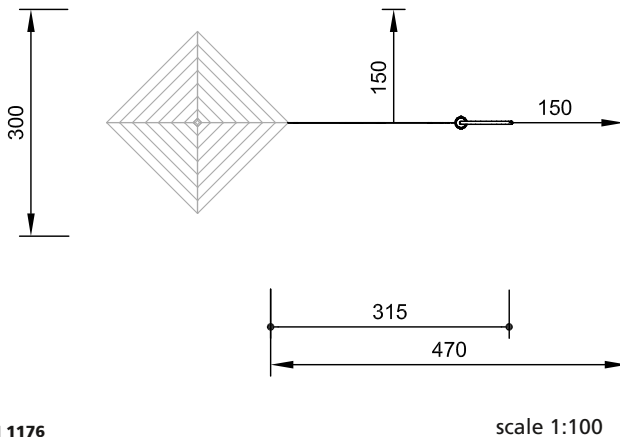
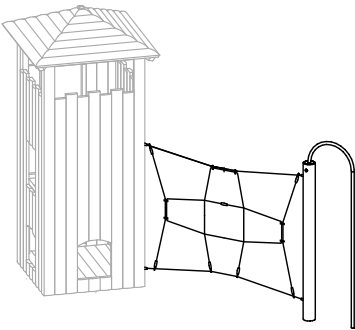
for attachment to Tower with Roof 2.00 m



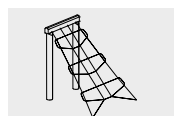
Vertical Climbing Net

with Firemen's Pole

Order No 3.69350



safety check according to EN 1176



3.69103



3.69105



3.69350

Technical information

de-barked

de-barked posts, Ø 18-21 cm, of spruce/ fir, boiler pressure impregnated according to DIN 68800-3, use class 4

core-free timber

Order No 3.69103/3.69105

cross beams core-free, thus decreasing occurrences of cracking

Corocord® rope

special ropes of "Hercules type"

nets of 19 mm six-strand Corocord® rope of the special "Hercules type", abrasion-protected through heating of the six steel strands and melting the polyamide sleeve onto them, standard colour red

aluminium swages

double-conical aluminium swages with rounded-off ends

S-clamps

neatly rounded Corocord®S-clamps made of stainless steel, Ø 8 mm

rope connection fixed

close fitting connection without dangerous openings

ground anchor

all parts used for anchoring to the ground of the inclined net made of hot-dip galvanised steel

firemen's pole of stainless steel, Ø 42 mm

Dimensions

(small deviations possible)

Order No 3.69103/3.69105

net 1.00 x 2.20 m
weight 180 kg

Order No 3.69350

height of net 2.00 m
net size 1.75 x 2.50 m
width 3.20 m
weight 70 kg

Components

Order No 3.69103/3.69105

1 inclined net with cross beam,
anchoring to the ground with chains
and tensioning levers

2 stand posts

Order No 3.69350

1 vertical net with 1 stand post
1 bent fireman's pole

Installation information

Surfacing requirements

Order No 3.69103

corresponding to a fall height of ≤ 2.00 m

Order No. 3.69105/3.69350

corresponding to a fall height of ≤ 1.50 m
(please refer to price list for more detailed information)

Foundations

Order No 3.69103/3.69105

2 items 50 x 50 x 40 cm
excavation depth 80 cm

2 items 70 x 55 x 60 cm
excavation depth 80 cm

Order No 3.69350

1 item 60 x 60 x 60 cm
excavation depth 80 cm

1 item 55 x 40 x 30 cm
excavation depth 50 cm

Attention:

**Exact measurements may vary;
for all installation dimensions refer to
current assembly instructions.**

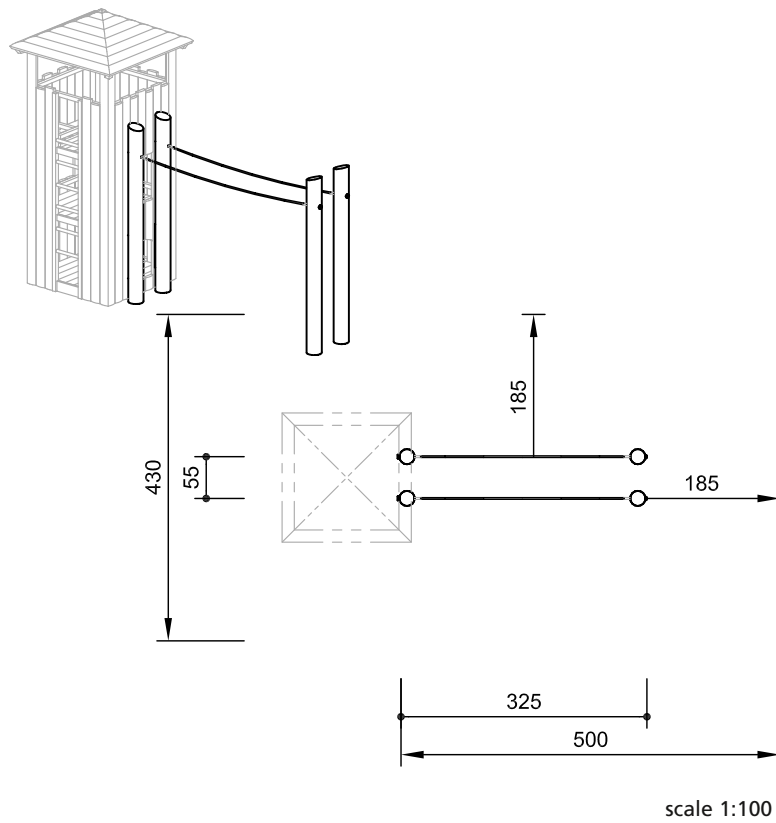
Technical changes reserved.

**Order No. 3.69350 also available with
steel foot or made of larch with steel
foot.**

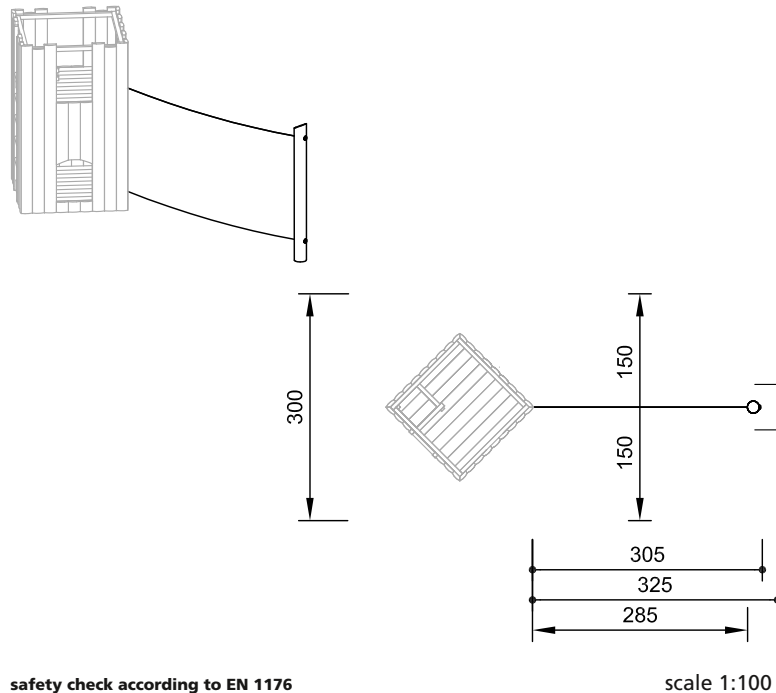


Please refer to the price list for a more detailed explanation of the quality characteristics.

Double Hanging Rope
Order No 3.68500



Balancing Rope with Holding Rope
Order No 3.69010



safety check according to EN 1176

Technical information

de-barked
de-barked posts, Ø 18 - 21 cm, of spruce/fir, boiler pressure impregnated according to DIN 68800-3, use class 4



angle cut
vertical stand posts with angle cut in the end grain section as constructive wood preservation



Corocord® rope
special ropes of "Hercules type"
six-strand Corocord® rope of the special "Hercules type", abrasion-protected through heating of the six steel strands and melting the polyamide sleeve onto them, standard colour red



aluminium swages
double-conical aluminium swages with rounded-off ends



rope connection fixed
close fitting connection without dangerous openings



Dimensions
(small deviations possible)

Order No 3.68500	
height of rope	2.00 m
length	3.25 m
weight	180 kg
Order No 3.69010	
height of balancing rope	0.25 m
height of holding rope	1.40 m
length	3.05 m
weight	50 kg

Components

- Order No 3.68500**
- 4 stand posts
- 2 ropes, length 2.90 m
- Order No 3.69010**
- 1 stand post
- 2 ropes, length 2.90 m

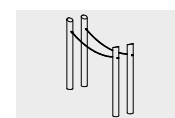
Installation information

Surfacing requirements
Order No 3.68500
corresponding to a fall height of ≤ 2.00 m
Order No 3.69010
corresponding to a fall height of ≤ 1.50 m
(please refer to price list for more detailed information)

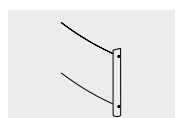
Foundations
Order No 3.68500
2 items 60 x 110 x 60 cm
excavation depth 80 cm
Order No 3.69010
1 item 60 x 60 x 50 cm
excavation depth 70 cm

Please refer to the price list for a more detailed explanation of the quality characteristics.

Attention:
Exact measurements may vary;
for all installation dimensions refer to current assembly instructions.
Technical changes reserved.
Equipment also available with steel feet or made of larch with steel feet.



3.68500



3.69010

Climbing Trunk

Order No 3.69500

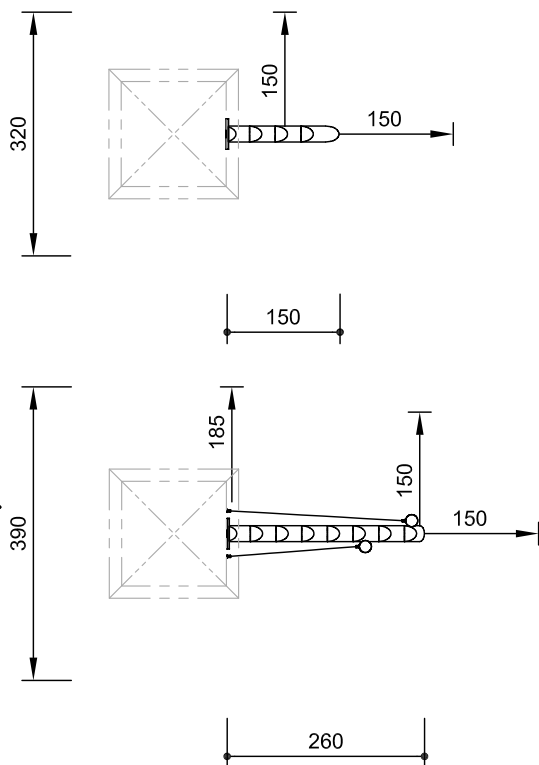
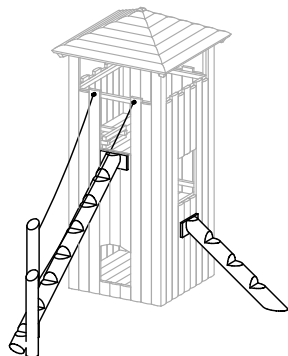
for attachment to Tower with Roof 1.00 m

Climbing Trunk

with double-sided handrail

Order No 3.69520

for attachment to Tower with Roof 2.00 m

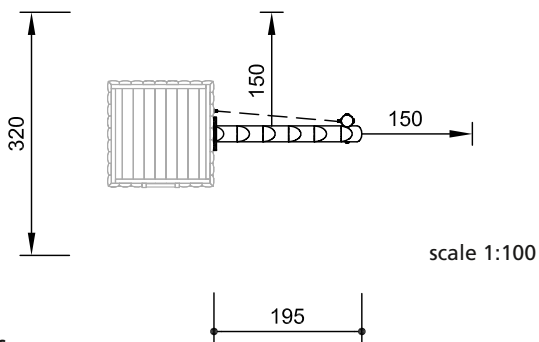
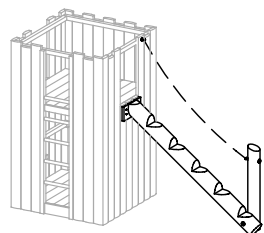


scale 1:100

Climbing Trunk with handrail

Order No 3.69510

for attachment to Tower 1.50 m



scale 1:100

safety check according to EN 1176



Technical information

equipment made of non-impregnated mountain larch

de-barked

de-barked posts, stand posts
Ø 15 – 18 cm, climbing trunk Ø 22.5 cm



angle cut

vertical stand posts with angle cut in the end grain section as constructive wood preservation



chains

short-link chains, 6 mm, welded before hot-dip galvanisation (stainless steel chain available on request)



Dimensions

(small deviations possible)

Order No 3.69500	length	2.45 m
	weight	50 kg
Order No 3.69510	length	2.35 m
	weight	100 kg
Order No 3.69520	length	3.15 m
	weight	140 kg

Components

- Order No 3.69500**
1 climbing trunk
- Order No 3.69510**
1 climbing trunk
1 stand post with chain handrail
- Order No 3.69520**
1 climbing trunk
2 stand posts with chain handrails

Installation information

Surfacing requirements corresponding to a fall height determined by installation height (please refer to price list for more detailed information)

Foundations

- Order No 3.69500**
1 item 60 x 100 x 40 cm
excavation depth 60 cm
- Order No 3.69510**
1 item 60 x 60 x 50 cm
excavation depth 70 cm
- Order No 3.69520**
2 items 60 x 60 x 50 cm
excavation depth 70 cm

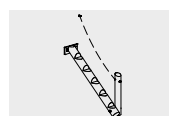
Attention:

Exact measurements may vary; for all installation dimensions refer to current assembly instructions.
Technical changes reserved.
Equipment also available with steel feet.

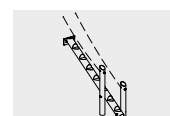
Please refer to the price list for a more detailed explanation of the quality characteristics.



3.69500

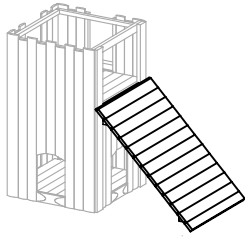


3.69510

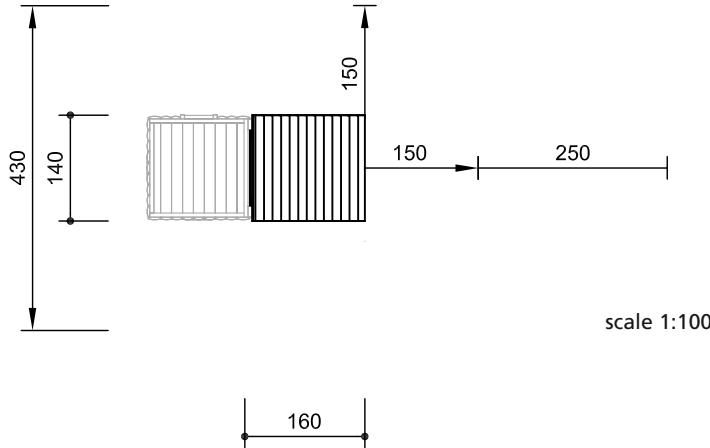
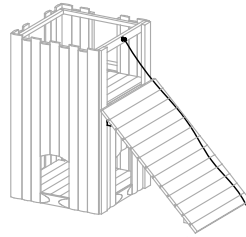


3.69520

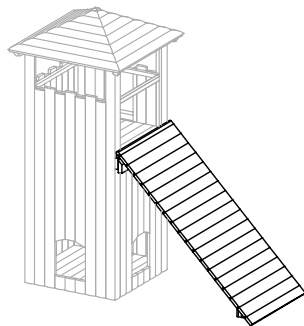
Inclined Wall
Order No 3.67513
 for attachment to Tower 1.50 m



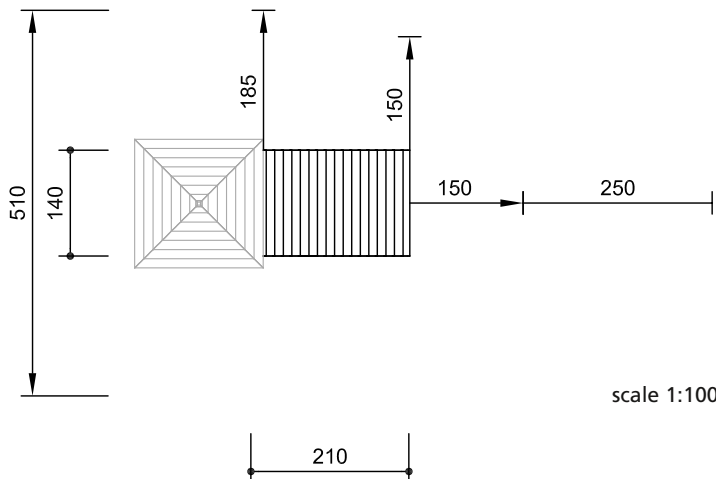
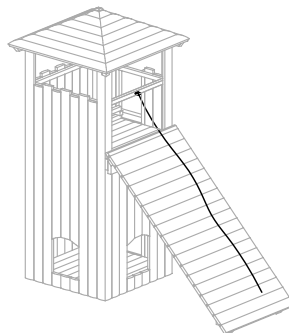
Holding Rope
Order No 3.69470
 for Inclined Wall with installation height 1.50 m



Inclined Wall
Order No 3.67510
 for attachment to Tower with roof 2.00 m



Holding Rope
Order No 3.69440
 for Inclined Wall with installation height 2.00 m



Technical information

equipment of non-impregnated mountain larch, anchoring to the ground of oak heartwood

core-free timber
 sawn timbers core-free, thus decreasing occurrences of cracking



tongue and groove
 covering of 40 mm tongue and groove boarding



Order No 3.69440

Corocord® rope special ropes of "Hercules type"
 holding rope of 22 mm six-strand Corocord® rope of the special "Hercules type", abrasion-protected through heating of the six steel strands and melting the polyamide sleeve onto them, standard colour rainbow



Please refer to the price list for a more detailed explanation of the quality characteristics.

Dimensions

(small deviations possible)

Order No 3.67513

installation height 1.50 m

length 2.20 m

width 1.40 m

weight 120 kg

Order No 3.67510

installation height 2.00 m

length 2.90 m

width 1.40 m

weight 150 kg

Components

1 inclined wall with inclination 45° with stand posts

Installation information

Surfacing requirements corresponding to a fall height of

Order No. 3.67513 ≤ 1.50 m

Order No. 3.67510 ≤ 2.00 m

(please refer to price list for more detailed information)

Foundations

Order No 3.67513

2 items 50 x 50 x 40 cm

excavation depth 60 cm

Order No 3.67510

2 items 50 x 50 x 40 cm

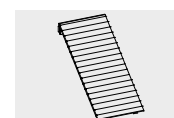
excavation depth 60 cm

Attention:

Exact measurements may vary; for all installation dimensions refer to current assembly instructions.

Technical changes reserved.

Equipment also available with steel feet.

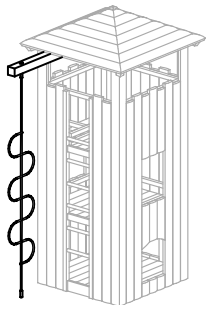


3.67510

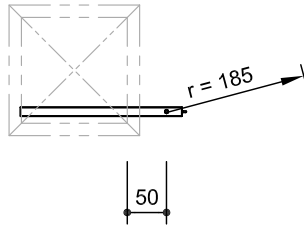
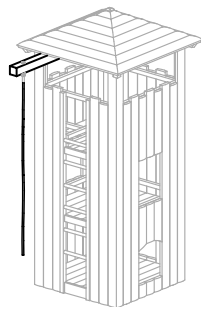


3.67513

Climbing Ladder w. Beam
Order No 3.69410
 for attachment to Tower with Roof

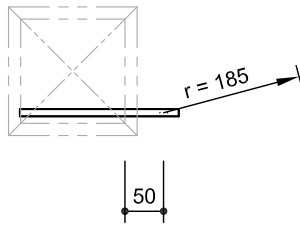
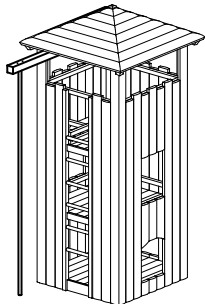


Swing Rope with Beam
Order No 3.69450
 for attachment to Tower with Roof



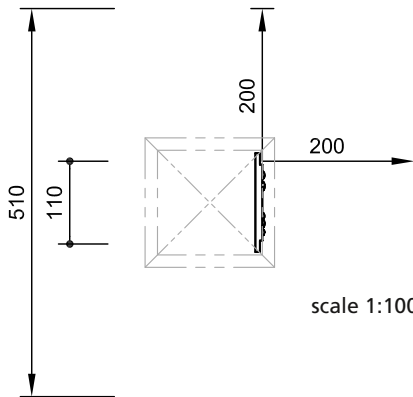
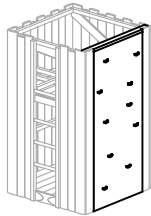
scale 1:100

Firemen's Pole with Beam
Order No 3.69460
 for attachment to Tower with Roof



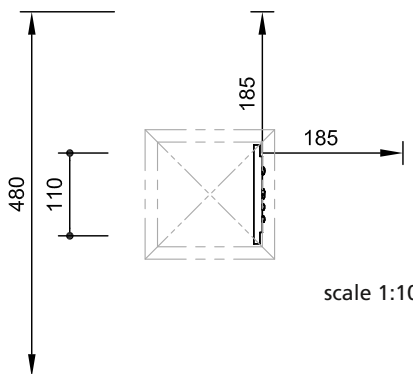
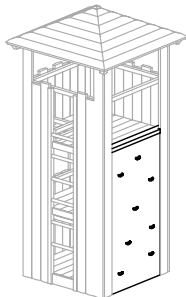
scale 1:100

Climbing Wall
Order No 3.67504
 for attachment to Tower



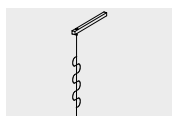
scale 1:100

Climbing Wall
Order No 3.67502
 for attachment to Tower with Roof



scale 1:100

safety check according to EN 1176



3.69410



3.69450



3.69460



3.67504/3.67502

Technical information

Order No. 3.69410/3.69450/3.69460

core-free timber

cross beams of non-impregnated mountain larch, core-free, thus decreasing occurrences of cracking



Corocord® rope

special ropes of "Hercules type"

six-strand Corocord® rope of the special "Hercules type", abrasion-protected through heating of the six steel strands and melting the polyamide sleeve onto them, standard colour rainbow



firemen's pole Ø 42 mm, of stainless steel, glass bead blasted

Dimensions

(small deviations possible)

installation height of cross beam 3.10 m

Components

1 cross beam with combination element

Installation information

Surfacing requirements

corresponding to a fall height of ≤ 2.00 m (please refer to price list for more detailed information)

Foundations

Order No 3.69410

Order No 3.69460

1 item 30 x 30 x 30 cm

excavation depth 50 cm

Order No. 3.69450 without foundation

Order No. 3.67504/367502

plywood

three-layer waterproof plywood made of mountain larch, 30 mm



professional climbing grips made of a mixture of sand/synthetic resin with 100% safe anti-rotation system against unintended twisting of the grips

Dimensions

(small deviations possible)

Order No 3.67504 3.67502

height 2.30 m 2.00 m

width 1.10 m 1.10 m

Components

Order No 3.67504

1 climbing wall, attached with 10 climbing grips

Order No 3.67502

1 climbing wall, attached with 8 climbing grips

Installation information

Surfacing requirements

corresponding to a fall height of ≤ 3.00 m (please refer to price list for more detailed information)

Attention:

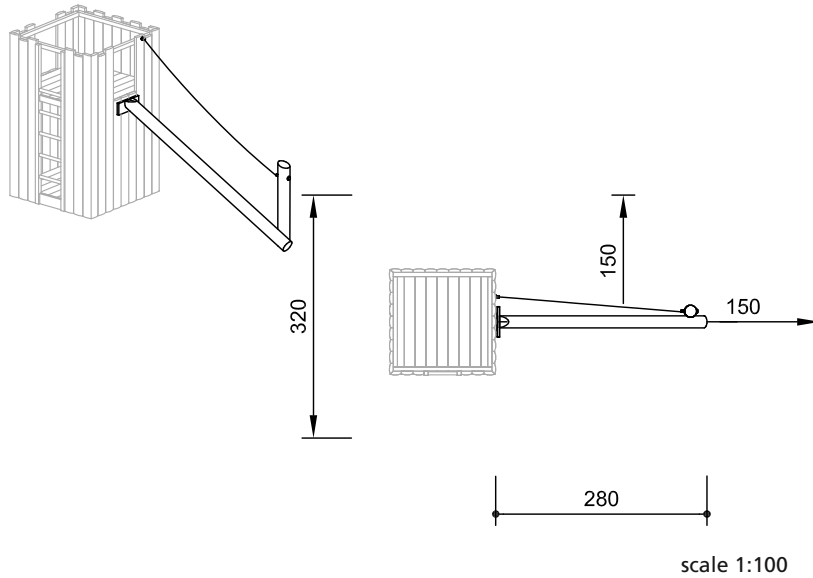
Exact measurements may vary;

for all installation dimensions refer to current assembly instructions.

Technical changes reserved.

Please refer to the price list for a more detailed explanation of the quality characteristics.

Inclined Balancing Beam
Order No. 3.68300
 for attachment to Tower 1.50 m



Technical information

equipment of non-impregnated mountain larch

Order No. 3.68300

de-barked
 de-barked posts, Ø 15 - 18 cm

angle cut
 vertical stand posts with angle cut in the end grain section as constructive wood preservation

chains
 suspended on short-link chains, 6 mm, welded before hot-dip galvanisation (stainless steel chains available on request)

Dimensions
 (small deviations possible)
 length 3.00 m
 weight 100 kg

Components
 1 inclined balancing beam
 1 stand post with chain handrail

Installation information
 Surfacing requirements corresponding to a fall height of ≤ 1.50 m (please refer to price list for more detailed information)

Foundations
 1 item 60 x 60 x 50 cm
 excavation depth 70 cm

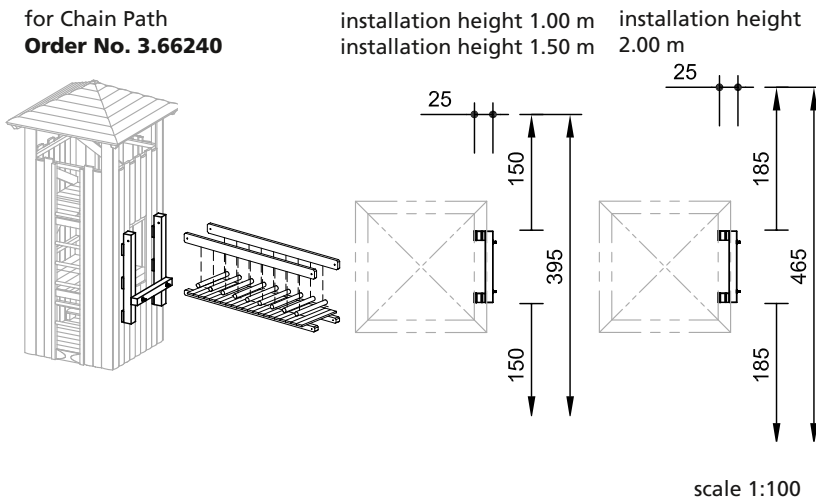
Attention:
Exact measurements may vary; for all installation dimensions refer to current assembly instructions.
 Technical changes reserved.
Equipment also available with steel foot.



Please refer to the price list for a more detailed explanation of the quality characteristics.

SUPPORT FRAMES

for Chain Path
Order No. 3.66240



SUPPORT FRAMES

core-free timber
 sawn timbers core-free, thus decreasing occurrences of cracking

plywood
 starting board of three-layer waterproof plywood, 30 mm

concealed head
 large surface for pressure distribution, prevents water from getting inside, protects the bolt head

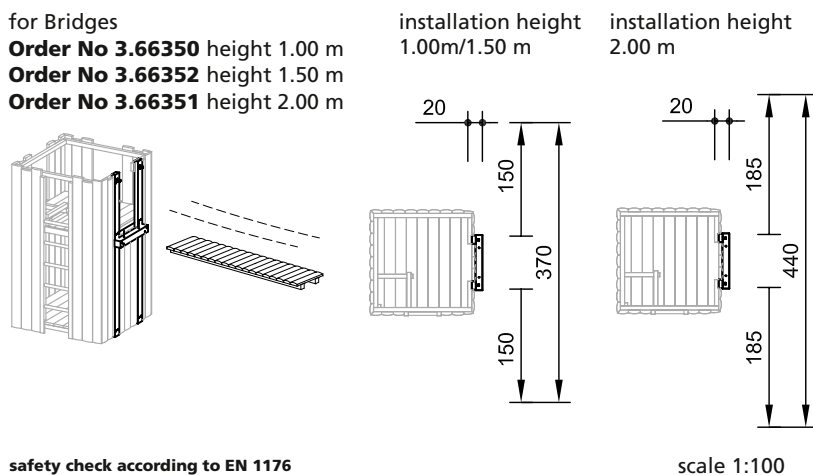
adjustable
 chain path forks can be retightened, no projecting threads after retightening due to two-piece bolt connection

Components
 1 support frame each

Installation information
 Surfacing requirements fall height determined by installation height (please refer to price list for more detailed information)

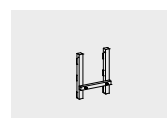


for Bridges
Order No 3.66350 height 1.00 m
Order No 3.66352 height 1.50 m
Order No 3.66351 height 2.00 m

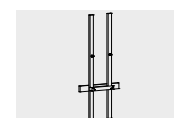


safety check according to EN 1176

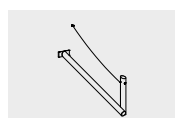
Attention:
Exact measurements may vary; for all installation dimensions refer to current assembly instructions.
 Technical changes reserved.



3.66240



3.66350 ff.

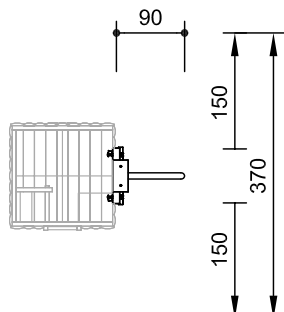
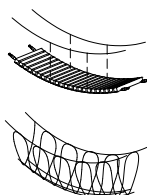
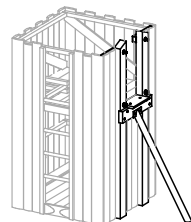


3.68300

SUPPORT FRAMES

for Suspension Bridge on Tower
installation height 1.50 m
Order No. 3.66045

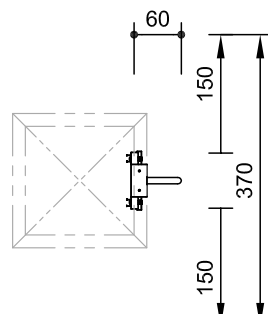
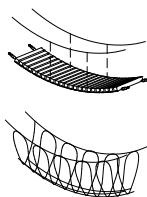
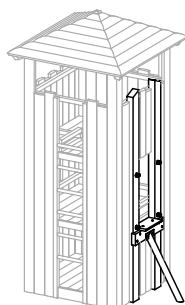
for Rope Bridge on Tower
installation height 1.50 m
Order No. 3.66603



scale 1:100

for Suspension Bridge on Tower with Roof
installation height 1.00 m
Order No. 3.66005

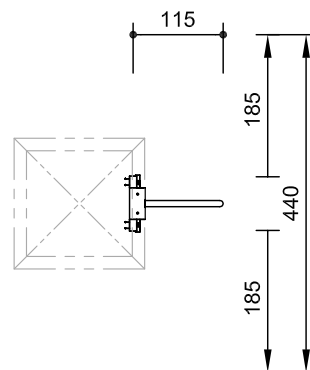
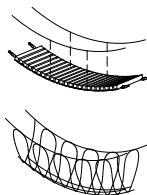
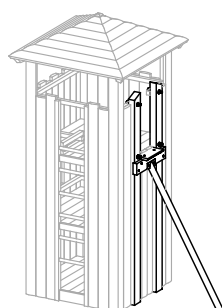
for Rope Bridge on Tower with Roof
installation height 1.00 m
Order No. 3.66593



scale 1:100

for Suspension Bridge on Tower with Roof
installation height 2.00 m
Order No. 3.66065

for Rope Bridge on Tower with Roof
installation height 2.00 m
Order No. 3.66613



scale 1:100

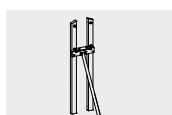
safety check according to EN 1176



3.66045/3.66603



3.66005/3.66593



3.66065/3.66613

Technical information

all support frames of non-impregnated mountain larch

core-free timber
sawn timbers core-free, thus decreasing occurrences of cracking



plywood
starting board of three-layer waterproof plywood, 30 mm



concealed head
large surface for pressure distribution, prevents water from getting inside, protects the bolt head



metal braces hot-dip galvanised, Ø 83 mm

Components

1 frame each with metal brace

Installation information

Surfacing requirements corresponding to a fall height determined by installation height (please refer to price list for more detailed information)

Foundations
for each support frame
1 item 60 x 60 x 40 cm
excavation depth 60 cm

Attention:
Exact measurements may vary;
for all installation dimensions refer to current assembly instructions.
Technical changes reserved.



Please refer to the price list for a more detailed explanation of the quality characteristics.

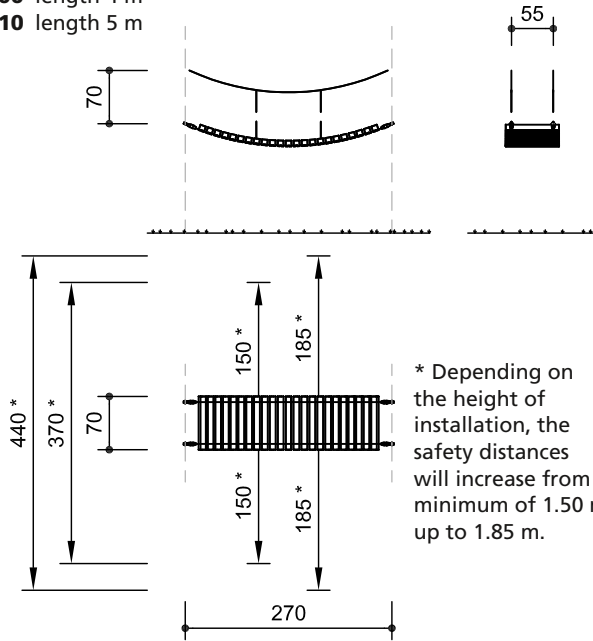
Running Boards for Suspension Bridges with chain handrails

Order No.

3.66090 length 3 m

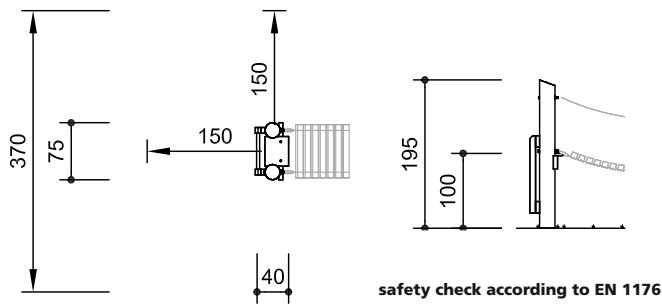
3.66100 length 4 m

3.66110 length 5 m



**Order No. 3.66030
End Frame with Ladder**

scale 1:100



Installation information

Surfacing requirements depend on the installation conditions (please refer to price list for more detailed information)

Foundations

Order No. 3.66030 End Frame

1 item 125 x 120 x 60 cm
excavation depth 80 cm

Attention:

Exact measurements may vary; for all installation dimensions refer to current assembly instructions.
Technical changes reserved.
End frame also available with steel feet or made of larch with steel feet.

Technical information

running board timbers made of non-impregnated mountain larch

core-free timber

sawn timbers core-free, thus decreasing occurrences of cracking, running board timbers individually fastened to carrying ropes

rope connection with joint

close fitting connection without dangerous openings; the bearing consists of one brass bush

adjustable

easy to maintain, no projecting threads after re-tightening due to two-piece bolt connection

brass bush

for all to and fro movements we use bush bearings which allow for self-lubrication while in use and are easy to exchange if required

chains

short-link handrail chains, 6 mm, of stainless steel

carrying rope Ø 18 mm of „Hercules type“ with steel core, suspended on drop-forged joints

**Order No. 3.66030
End Frame with Ladder**

de-barked

de-barked posts, Ø 18 - 21 cm, of spruce/fir, boiler pressure impregnated according to DIN 68800-3, use class 4

angle cut

vertical stand posts with angle cut in the end grain section as constructive wood preservation

perforated

the earth/air zone of the wood is perforated by small bore holes to ensure that the impregnating agent penetrates this particularly endangered zone

hardwood rungs

climbing rungs of hardwood, milled and mortised, Ø 42 mm

plywood

starting board made of three-layer waterproof plywood, mountain larch, 30 mm

Dimensions

(small deviations possible)

walkway length	2.70/3.70/4.60 m
walkway width	0.70 m
running boards	75 x 75 mm
weight	50/80/95 kg
end frame	
with ladder	100 kg

Components

Order No. 3.66030

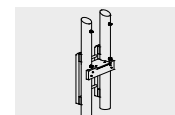
1 end frame with ladder

Order No. 3.66090/3.66100/3.66110

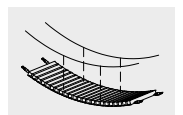
1 walkway with chain handrails and distance battens



Please refer to the price list for a more detailed explanation of the quality characteristics.



3.66030

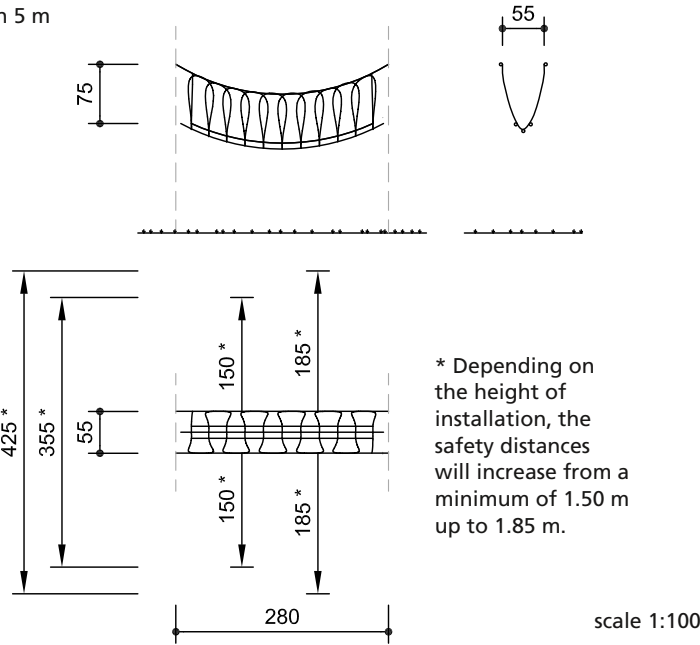


3.66090 -3.66110

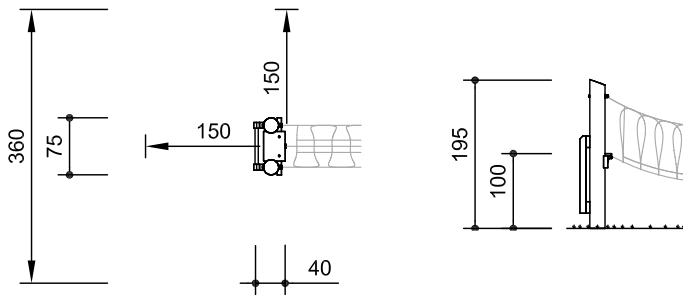
Running Boards for Rope Bridges

Order No.

- 3.66550** length 3 m
- 3.66560** length 4 m
- 3.66570** length 5 m



**Order No. 3.66520
End Frame with Ladder**



safety check according to EN 1176



Components

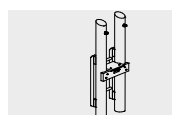
- Order No. 3.66520**
1 end frame with ladder
- Order No. 3.66550/3.66560/3.66570**
1 rope bridge with distance battens

Installation information

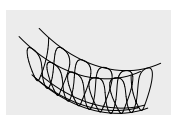
Surfacing requirements corresponding to a fall height determined by the installation situation (please refer to price list for more detailed information)

Foundations
Order No. 3.66520 End Frame
1 item 125 x 120 x 60 cm
excavation depth 80 cm

Attention:
Exact measurements may vary, for all installation dimensions refer to current assembly instructions.
Technical changes reserved.
End frame also available with steel feet or larch version with steel feet.



3.66520



3.66550 - 3.66570

Technical information

Corocord® rope special ropes of "Hercules type"
rope bridge of 19 mm six-strand Corocord® rope of the special "Hercules type", abrasion-protected through heating of the six steel strands and melting the polyamide sleeve onto them, standard colour red



aluminium swages
double-conical aluminium swages with rounded-off ends



S-clamps
neatly rounded Corocord®S-clamps made of stainless steel, Ø 8 mm



rope connection with joint
close fitting connection without dangerous openings; the bearing consists of one brass bush



adjustable
easy to maintain, no projecting threads after re-tightening due to two-piece bolt connection



brass bush
for all to and fro movements we use bush bearings which allow for self-lubrication while in use and are easy to exchange if required



**End Frame with Ladder
Order No. 3.66520**

de-barked
de-barked posts, Ø 18 - 21 cm, of spruce/fir, boiler pressure impregnated according to DIN 68800-3, use class 4



angle cut
vertical stand posts with angle cut in the end grain section as constructive wood preservation



perforated
the earth/air zone of the wood is perforated by small bore holes to ensure that the impregnating agent penetrates this particularly endangered zone



hardwood rungs
climbing rungs of hardwood, milled and mortised, Ø 42 mm



plywood
starting board made of three-layer waterproof plywood, mountain larch, 30 mm



Dimensions
(small deviations possible)

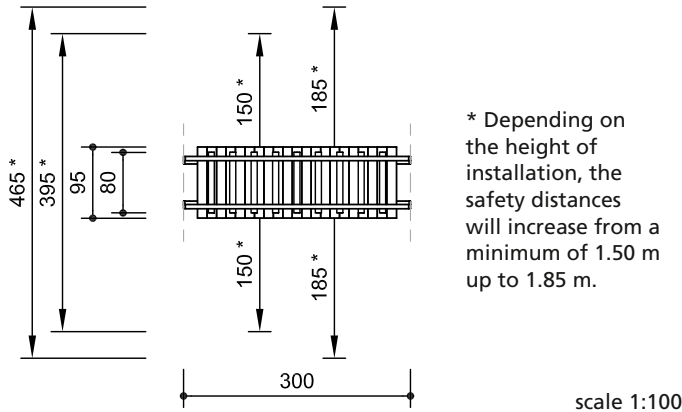
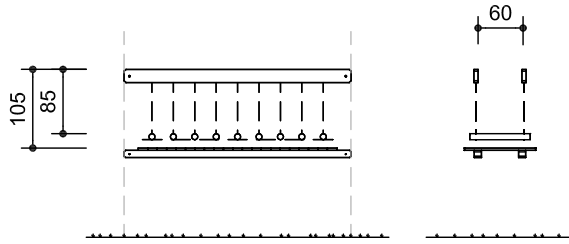
bridge length	2.80/3.80/4.70 m
width	0.55 m
weight	40/53/66 kg
end frame	
with ladder	100 kg

Please refer to the price list for a more detailed explanation of the quality characteristics.

Running Board Timbers for Chain Path with safety board

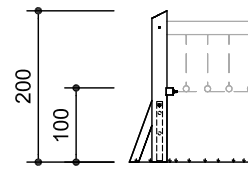
Order No. 3.66260 length 3 m

Order No. 3.66270 length 4 m

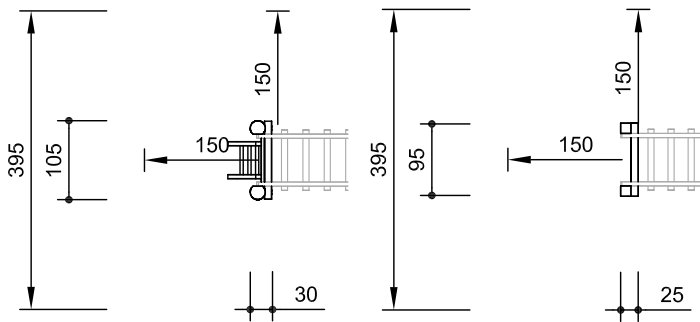
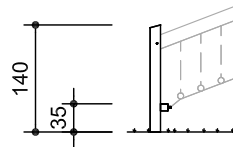


scale 1:100

Order No. 3.66220
End Frame with Ladder



Order No. 3.66230
End Frame for Inclined Chain Path



safety check according to EN 1176

Components

Order No. 3.66260/3.66270

2 handrails with running board timbers and chains
1 safety board

Order No. 3.66263/3.66273

2 handrails with running board timbers and chains

Order No. 3.66220

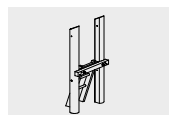
1 end frame with ladder

Order No. 3.66230

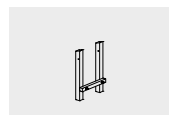
1 end frame for inclined chain path

Attention:

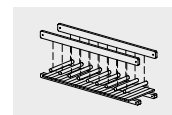
Exact measurements may vary; for all installation dimensions refer to current assembly instructions.
Technical changes reserved.
End frames also available with steel feet or made of larch with steel feet.



3.66220



3.66230



3.66260 - 3.66270



3.66263 - 3.66273

Technical information

equipment of non-impregnated mountain larch

core-free timber

sawn timbers core-free, thus decreasing occurrences of cracking



chains

suspended on short-link chains 6 mm, welded before hot-dip galvanisation (stainless steel chains available on request)



Order No. 3.66220

End Frame with Ladder de-barked

de-barked posts, Ø 16/18 cm, of spruce/fir, boiler pressure impregnated according to DIN 68800-3, use class 4



angle cut

vertical stand posts with angle cut in the end grain section as constructive wood preservation



perforated

The earth/air zone of the wood is perforated by small bore holes to ensure that the impregnating agent penetrates this particularly endangered zone



hardwood rungs

climbing rungs of hardwood, milled and mortised, Ø 42 mm



Order No. 3.66230

End Frame for Inclined Chain Path

stand posts of oak heartwood, cross beams and ladder beams of non-impregnated mountain larch

core-free timber

sawn timbers core-free, thus decreasing occurrences of cracking



Dimensions

(small deviations possible)

handrail length	3.00/4.00 m
width	0.95 m
running boards	Ø 80 mm
weight	120/160 kg
end frame with ladder	100 kg
end frame for inclined chain path	70 kg

Installation information

Surfacing requirements corresponding to a fall height determined by the installation conditions (please refer to price list for more detailed information)

Foundations

Order No. 3.66220

End Frame with Ladder

2 items 60 x 60 x 60 cm
1 item 60 x 30 x 30 cm
excavation depth 50 cm

Order No. 3.66230

End Frame for Inclined Chain Path

2 items 60 x 60 x 50 cm
excavation depth 70 cm

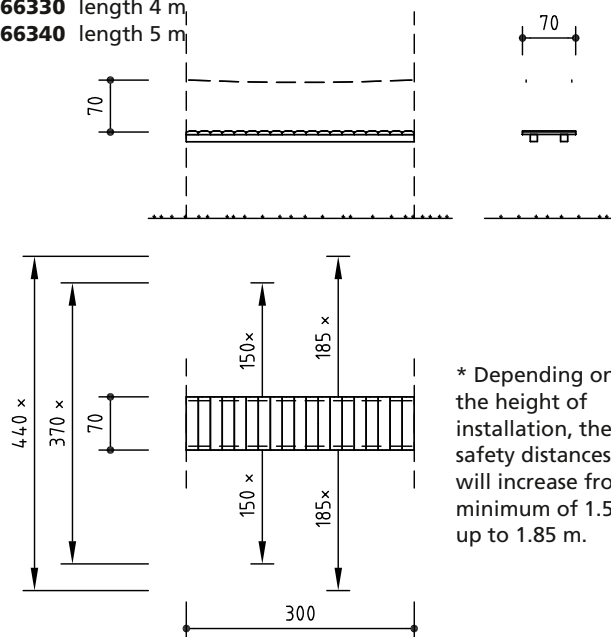
Please refer to the price list for a more detailed explanation of the quality characteristics.

Bridge with Chain Handrail

Order No. 3.66320 length 3 m

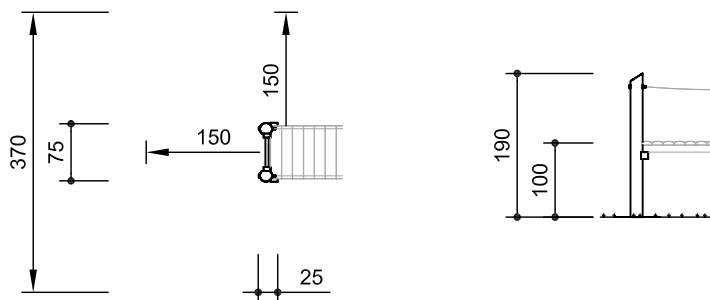
Order No. 3.66330 length 4 m

Order No. 3.66340 length 5 m



Order No. 3.66387

End Frame with Ladder



safety check according to EN 1176

Components

Order No. 3.66300

1 bridge, length 3 m

order No. 3.66320/3.66330/3.66340

1 bridge with chain handrails
length 3, 4, 5 m

Order No. 3.66387

1 end frame with ladder

Installation information

Surfacing requirements corresponding to a fall height determined by the installation conditions (please refer to price list for more detailed information)

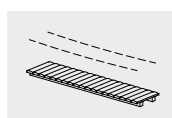
Foundations

Order No. 3.66387 End Frame

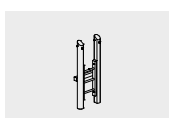
1 item 120 x 60 x 50 cm
excavation depth 70 cm



3.66300



3.66320-3.66340



3.66387

Technical information

equipment of non-impregnated mountain larch

core-free timber

sawn timbers core-free, thus decreasing occurrences of cracking



claddings

thickness 4 – 5 cm, de-barked by hand



chains

suspended on short-link chains, 6 mm, welded before hot-dip galvanisation (stainless steel chains available on request)



Order No. 3.66387

End Frame of Round Timbers

de-barked

de-barked posts, Ø 15 - 18 cm, of non-impregnated mountain larch



angle cut

vertical stand posts with angle cut in the end grain section as constructive wood preservation



hardwood rungs

climbing rungs of hardwood, milled and mortised, Ø 42 mm



Dimensions

(small deviations possible)

length of bridge	3.00/4.00/5.00 m
width	0.70 m
weight	110/146/183 kg
end frame	
with ladder	50 kg

Attention:

Exact measurements may vary; for all installation dimensions refer to current assembly instructions.
Technical changes reserved.
End frame also available with steel feet.






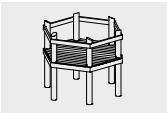



Please refer to the price list for a more detailed explanation of the quality characteristics.

A Standard Combination Elements for Individual Play Installations

- 1 Huts
- 2 Towers
- 3 **Platforms**
- 4 Combinations · Examples
- 5 Triangular Platform
- 6 Special Towers

A 3 Platforms

Order No. Item	page	Order No. Item	page
 3.26100 Platform height 1.00 m	49	 3.28700 Big Hexagonal Platform	53
 3.26300 Platform height 1.50 m	49		
 3.26500 Platform height 2.00 m	49		
 3.28100 Hexagonal Platform height 1.00 m	51		
 3.28300 Hexagonal Platform height 1.50 m	51		
 3.28500 Hexagonal Platform height 2.00 m	51		



Play value

The Platform is well suited as centre of a small play installation. Through the versatile attachment offers, above all attractive activity equipment such as slide, inclined wall, climbing net or firemen's pole, many children can play at the same time; this is important, for instance, on school playgrounds. The Platform is also available with roof.

Fundamental characteristics

- versatile activity offers
- sturdy meeting point
- incentive for playing: climbing up, enjoying the view
- movement: climbing

Suitable

- for children from 5 years
- for public playgrounds
- leisure areas
- school playgrounds
- institutions for children

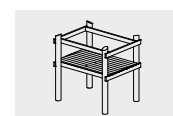


Platforms for combination

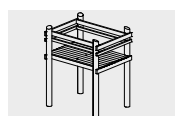
- Platform**
 height 1.00 m
 height 1.50 m
 height 2.00 m



3.26100

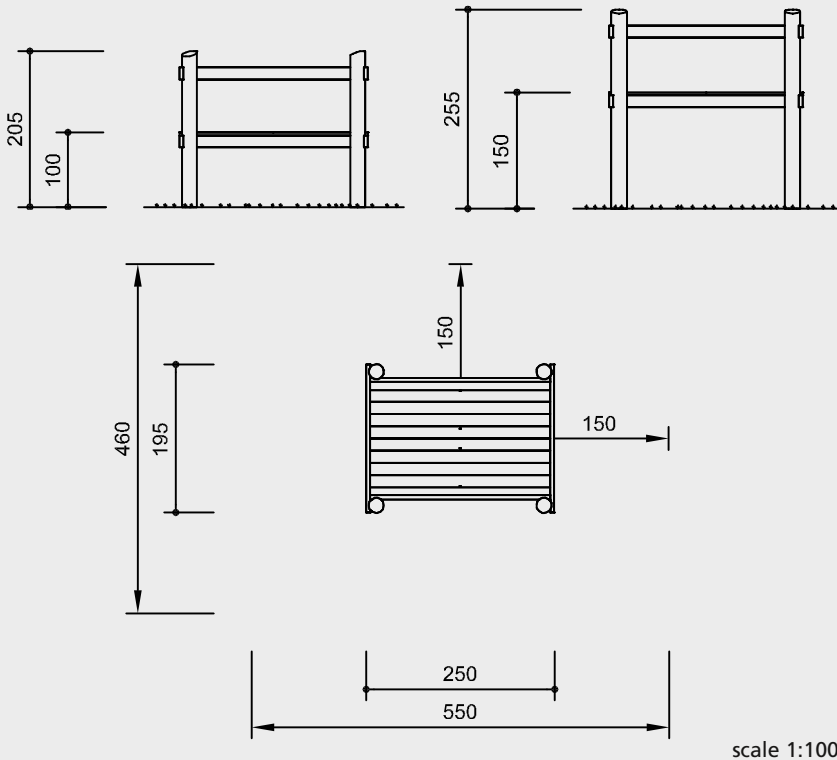


3.26300

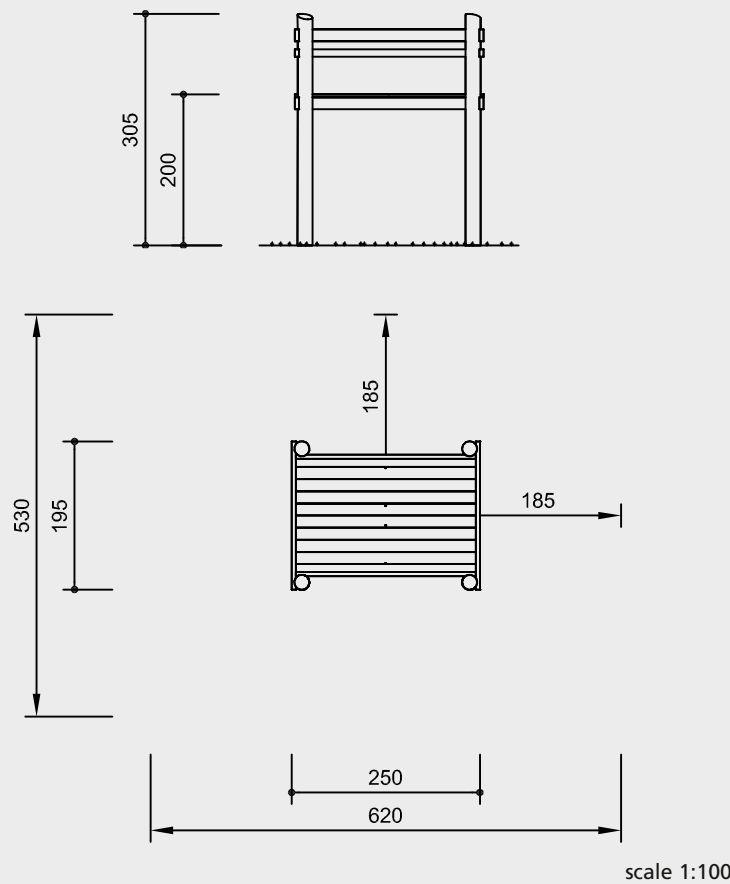


3.26500

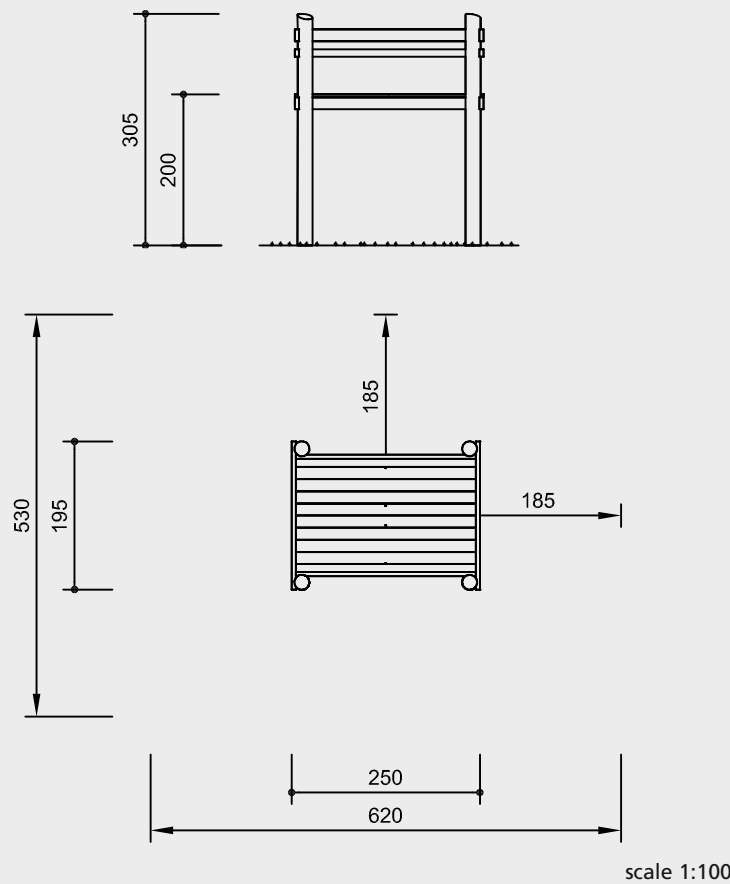
Order No. 3.26100 Platform
height 1.00 m



Order No. 3.26300 Platform
height 1.50 m



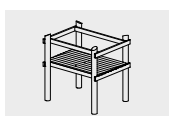
Order No. 3.26500 Platform
height 2.00 m



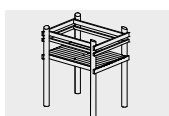
Safety check according to EN 1176



3.26100



3.26300



3.26500

Technical information

de-barked posts

de-barked posts, Ø 18 - 21 cm, of spruce/fir, boiler pressure impregnated according to DIN 68800-3, use class 4



angle cut

vertical support posts with angle cut in the end grain section as constructive wood preservation



perforated

the earth/air zone of the wood is perforated by small bore holes to ensure that the impregnating agent penetrates this particularly endangered zone



core-free timber

sawn timbers of non-impregnated mountain larch, by that formation of cracks can be reduced



tongue and groove

platform boards of 40 mm tongue and groove boarding



Dimensions

(small deviations possible)

Order No. 3.26100

height 2.05 m
floor height 1.00 m
floor size 1.60 x 2.50 m
exterior dimension 1.95 x 2.50 m
weight 270 kg

Order No. 3.26300

height 2.55 m
floor height 1.50 m
floor size 1.60 x 2.50 m
exterior dimension 1.95 x 2.50 m
weight 320 kg

Order No. 3.26500

height 3.05 m
floor height 2.00 m
floor size 1.60 x 2.50 m
exterior dimension 1.95 x 2.50 m
weight 370 kg

Components

1 Platform complete
with 2 floor elements and guardrails

Installation information

Surfacing requirements determined by floor height (please refer to price list for more detailed information)

Foundations
4 items 60 x 60 x 60 cm
excavation depth 80 cm

Attention:

Exact measurements may vary, for all installation dimensions refer to current installation instructions.

Technical changes reserved.

Equipment also available with steel feet or made of mountain larch with steel feet.

For more detailed explanation of the quality characteristics see price list.

Play value

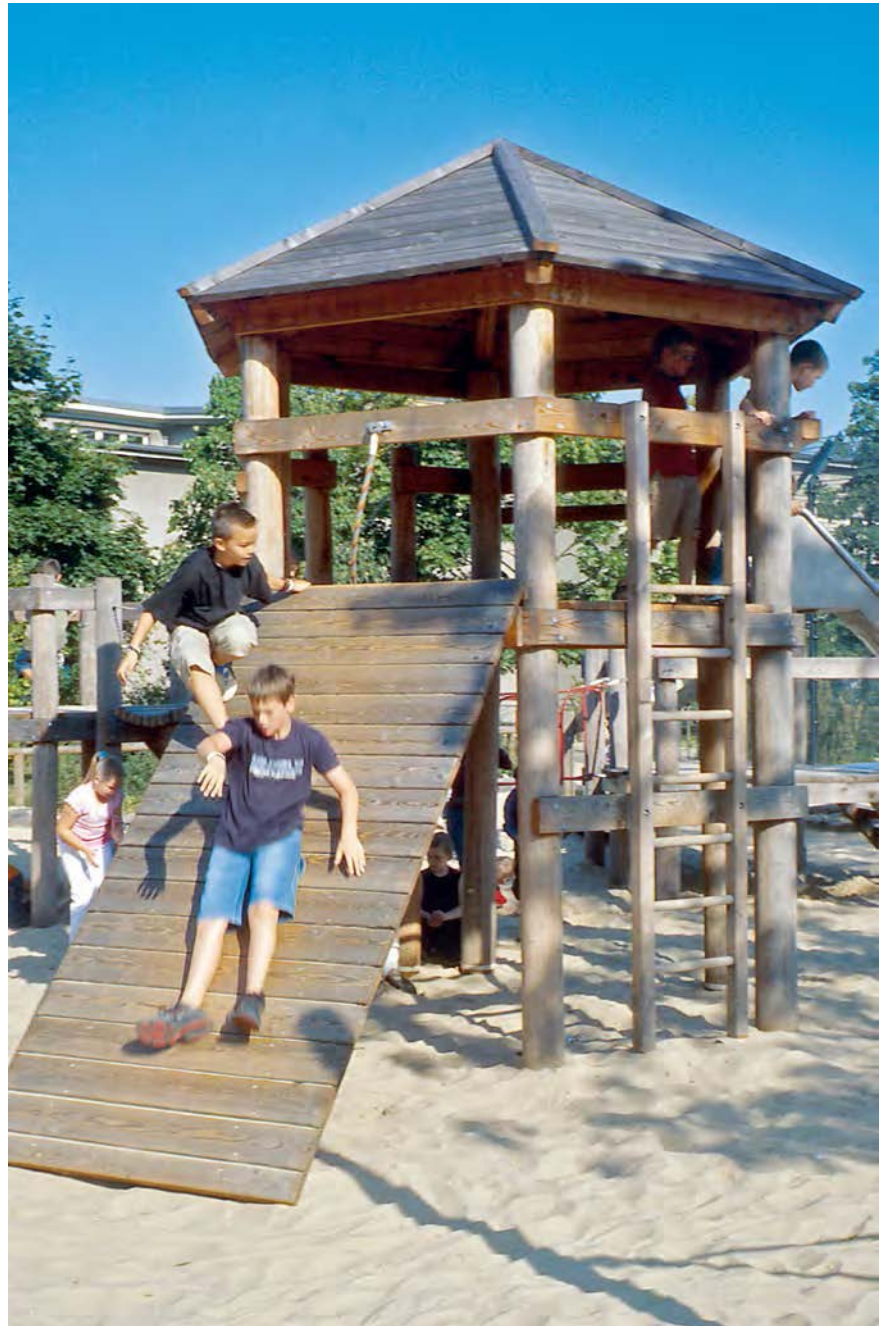
The Hexagonal Platform is perfectly suited as centre of a small play installation. Through the versatile attachment offers, above all attractive activity equipment such as slide, inclined wall, climbing net or firemen's pole many children can play at the same time; this is important, for instance, on school playgrounds. The Platform is also available with a roof.

Fundamental characteristics

- hexagonal structure with versatile opportunities for attachment elements
- sturdy meeting point
- incentive for playing: climbing up, enjoying the view
- movement: climbing

Suitable

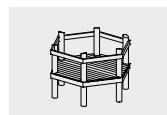
- for children from 5 years
- for public playgrounds
leisure areas
school playgrounds
institutions for children



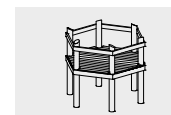
Platforms for combination

Hexagonal Platform

- height 1.00 m
- height 1.50 m
- height 2.00 m



3.28100



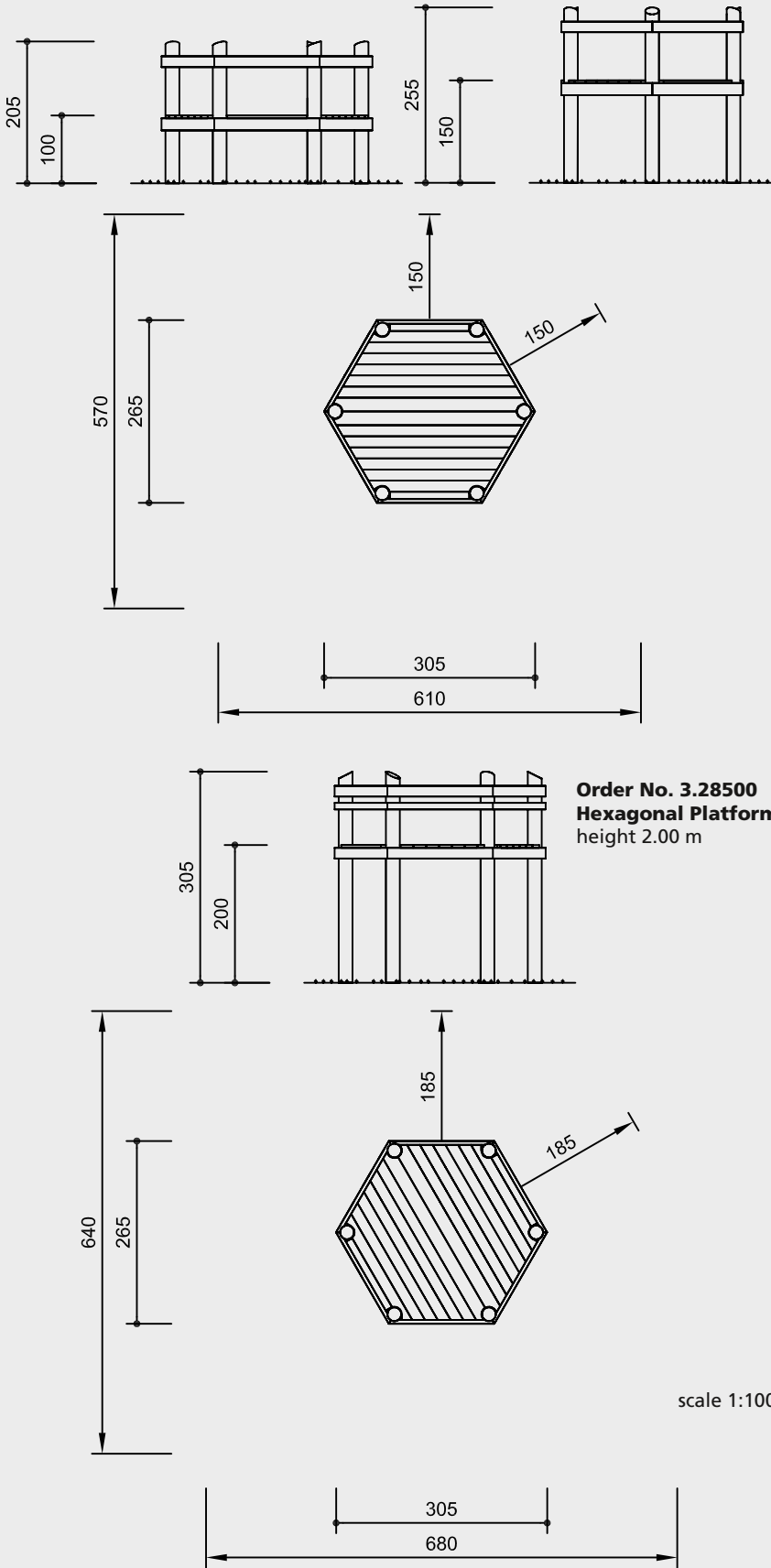
3.28300



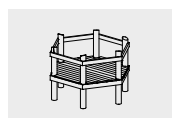
3.28500

Order No. 3.28100
Hexagonal Platform
height 1.00 m

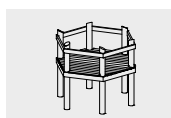
Order No. 3.28300
Hexagonal Platform
height 1.50 m



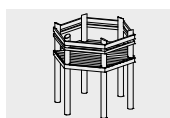
Safety check according to EN 1176



3.28100



3.28300



3.28500

Technical information

de-barked posts

de-barked posts, Ø 18 - 21 cm, of spruce/fir, boiler pressure impregnated according to DIN 68800-3, use class 4



angle cut

vertical support posts with angle cut in the end grain section as constructive wood preservation



perforated

the earth/air zone of the wood is perforated by small bore holes to ensure that the impregnating agent penetrates this particularly endangered zone



core-free timber

sawn timbers of non-impregnated mountain larch, core-free, by that formation of cracks can be reduced



tongue and groove

platform boards of 40 mm tongue and groove boarding



Dimensions

(small deviations possible)

Order No. 3.28100

height 2.05 m
floor height 1.00 m
floor size 3.05 x 2.65 m
weight 400 kg

Order No. 3.28300

height 2.55 m
floor height 1.50 m
floor size 3.05 x 2.65 m
weight 480 kg

Order No. 3.28500

height 3.05 m
floor height 2.00 m
floor size 3.05 x 2.65 m
weight 550 kg

Components

1 Platform complete
with 2 floor elements and guardrails

Installation information

Surfacing requirements determined by floor height (please refer to price list for more detailed information)

Foundations

6 items 60 x 60 x 60 cm
excavation depth 80 cm

Attention:

Exact measurements may vary, for all installation dimensions refer to current installation instructions.

Technical changes reserved.

Equipment also available with steel feet or made of mountain larch with steel feet.

For more detailed explanation of the quality characteristics see price list.

Play value

The nicely shaped Big Hexagonal Platform makes a very good centrepiece for a play area. The appealing material and the harmonious design simply invite children to climb it, use it as a hidey-hole, and as a place for a chat. The platform can be combined with a variety of pieces of equipment. All levels can be reached via ladders.

Fundamental characteristics

- friendly hexagonal design with versatile opportunities for combination
- appealing hexagonal design

Suitable

- for children from 5 years of age
- for public playgrounds
- leisure areas
- school playgrounds



Note

The pictures show a special version of the roof. The standard version of the platform includes the roof available under the order No. 3.26920. A coloured design and a windmill are available at an extra charge.

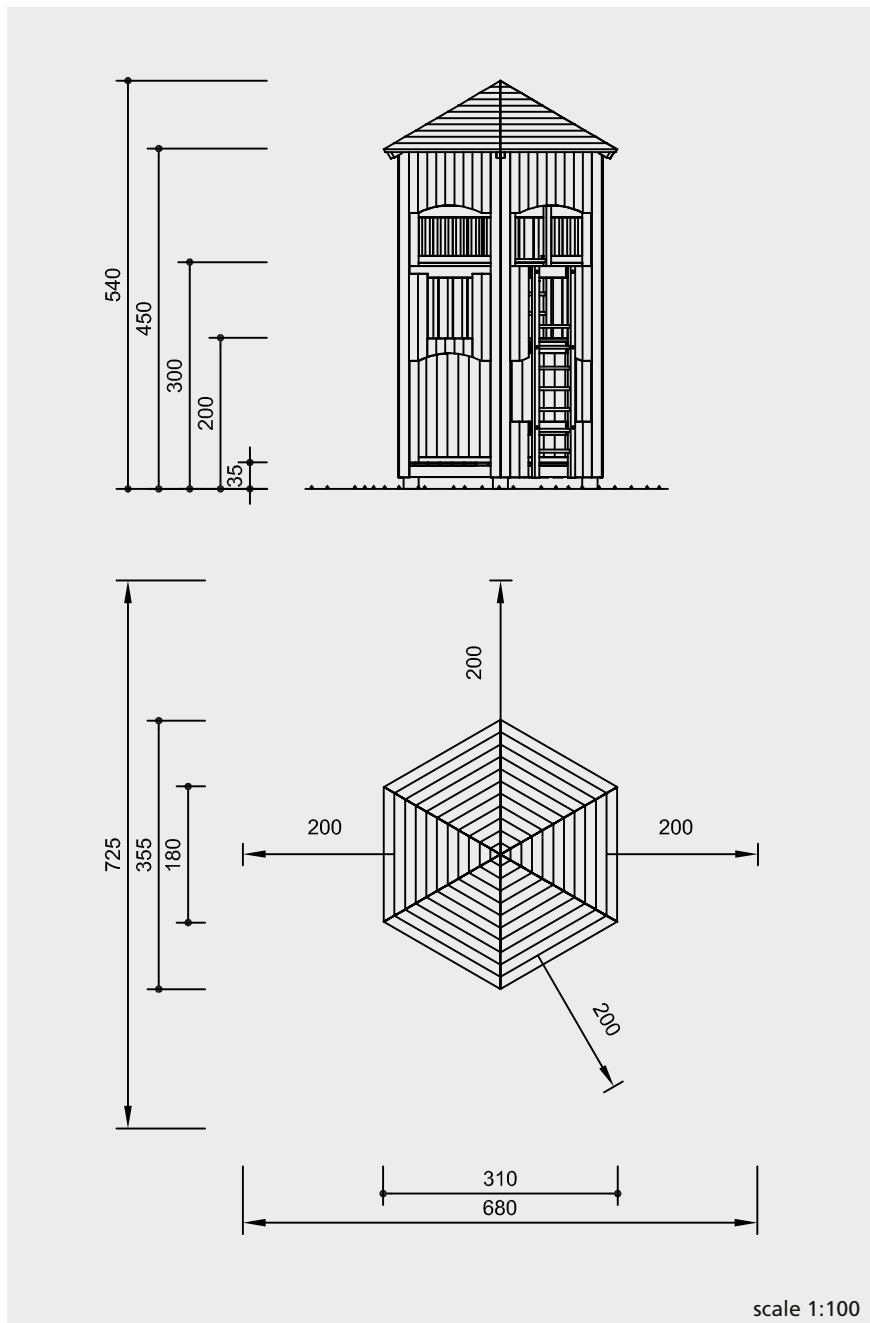
Big Hexagonal Platform

Copyright © Richter Spielgeräte GmbH 10/15

Design P. Hohenbauer



3.28700



scale 1:100

safety check according to EN 1176

Technical information

de-barked

de-barked posts, Ø 18 - 21 cm, of spruce/fir, boiler pressure impregnated according to DIN 68800-3, use class 4



perforated

The earth/air zone of the wood is perforated by small bore holes to ensure that the impregnating agent penetrates this particularly endangered zone.



core-free timber

sawn timbers of non-impregnated mountain larch, core-free, thus decreasing occurrences of cracking



claddings

thickness 4 - 5 cm, de-barked by hand, of non-impregnated mountain larch



tongue and groove

platform made of 40 mm tongue and groove boarding



hardwood rungs

climbing rungs of hardwood, milled and mortised, Ø 42 mm



Dimensions

(small deviations possible)

height	5.40 m
floor heights	0.35/2.00/3.00 m
length	3.10 m
width	3.55 m
weight	2500 kg

Please refer to the price list for a more detailed explanation of the quality characteristics.

Components

- 1 big hexagonal platform, completely clad, with 5 floor elements,
- 1 ladder fixed on the outside, 1 ladder fixed on the inside, 1 partition on the ground floor

Installation information

Surfacing requirements corresponding to a fall height of ≤ 2.00 m (please refer to price list for more detailed information)

Foundations
6 items 60 x 60 x 60 cm
excavation depth 80 cm

Attention:
Exact measurements may vary; for all installation dimensions refer to current assembly instructions.
Technical changes reserved.
Equipment also available with steel feet or made of larch with steel feet.



3.28700



Standard elements for combination
with Platforms

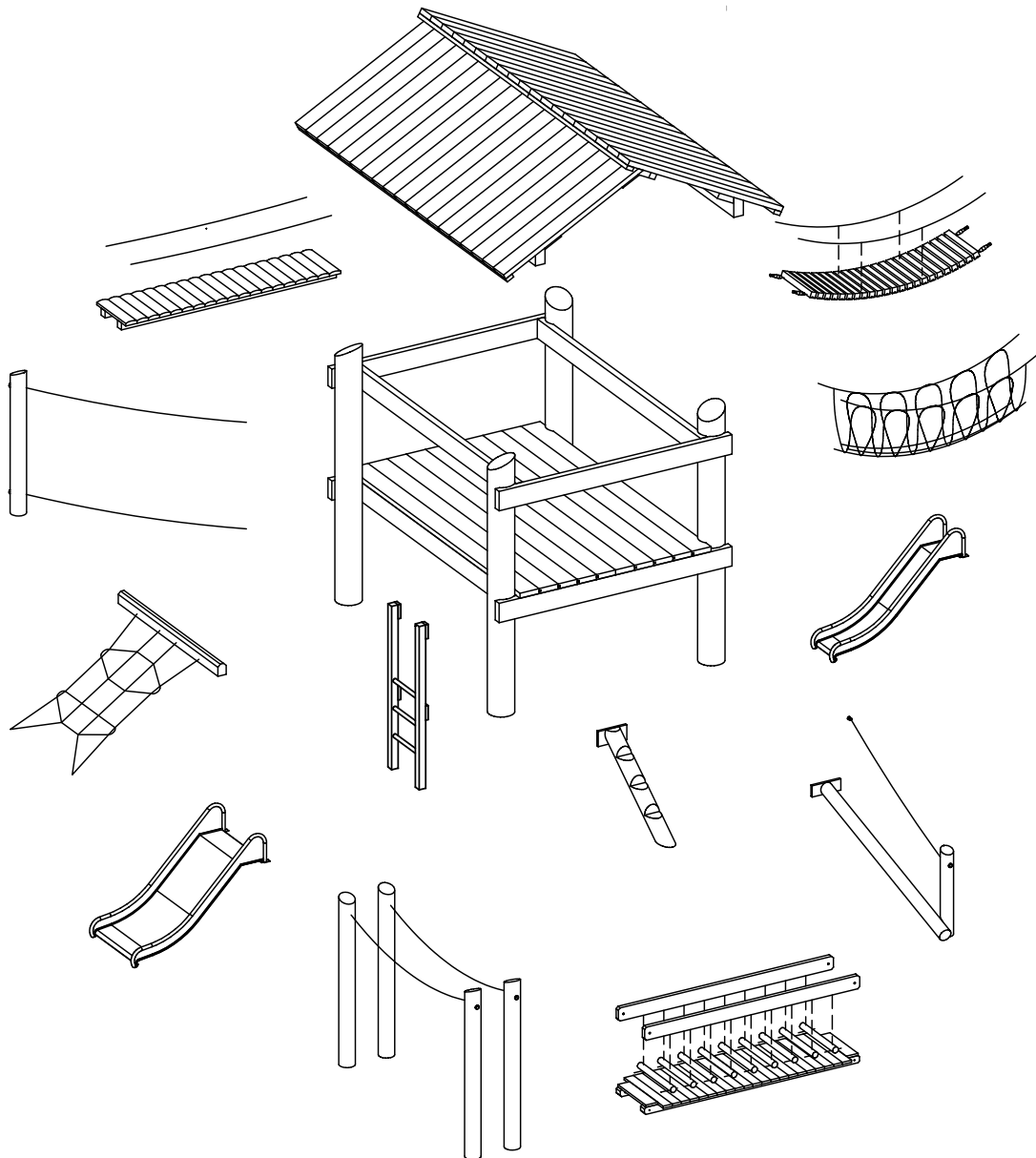
Standard elements for combination

with Platform 1.00 m

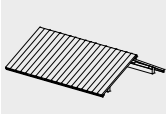
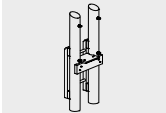




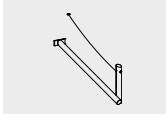

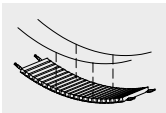
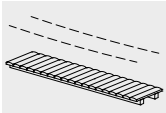
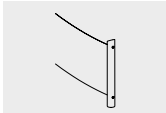

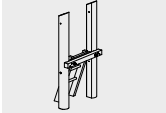
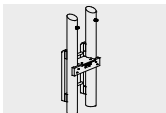

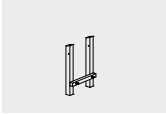



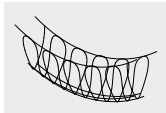
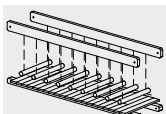
Order No 3.26100

with Hexagonal Platform 1.00 m

Order No 3.28100



Standard elements for combination with Platforms 1.00 m

Order No. Product name	Page	Order No. Product name	Page	Order No. Product name	Page	Order No. Product name	Page
SUSP. BRIDGE ELEMENTS		BRIDGE ELEMENTS		MISCELLANEOUS			
	71		74		69	3.26800/3.26900 Roof	77
	70		70		67		78
	71		74		65		
3.66090 ff. Running Boards 3, 4, 5 m		3.66320 ff. Bridge 3, 4, 5 m with Chain Handrail		3.69010 Balancing Rope with Holding Rope			
CHAIN PATH ELEMENTS		ROPE BRIDGE ELEMENTS			64		
	73		72		66		
	73		70		62		
3.66220 End Frame with Ladder		3.66520 End Frame with Ladder		3.69140 Inclined Climbing Net			
3.66230 End Frame for Inclined Path without safety board		3.66623 Support Frame		3.69500 Climbing Trunk			
	70		72				
3.66250 Support Frame		3.66550 ff. Rope Bridge 3, 4, 5 m					
	73						
3.66260 ff. Handrails and Running Board Timbers path 3, 4 m							

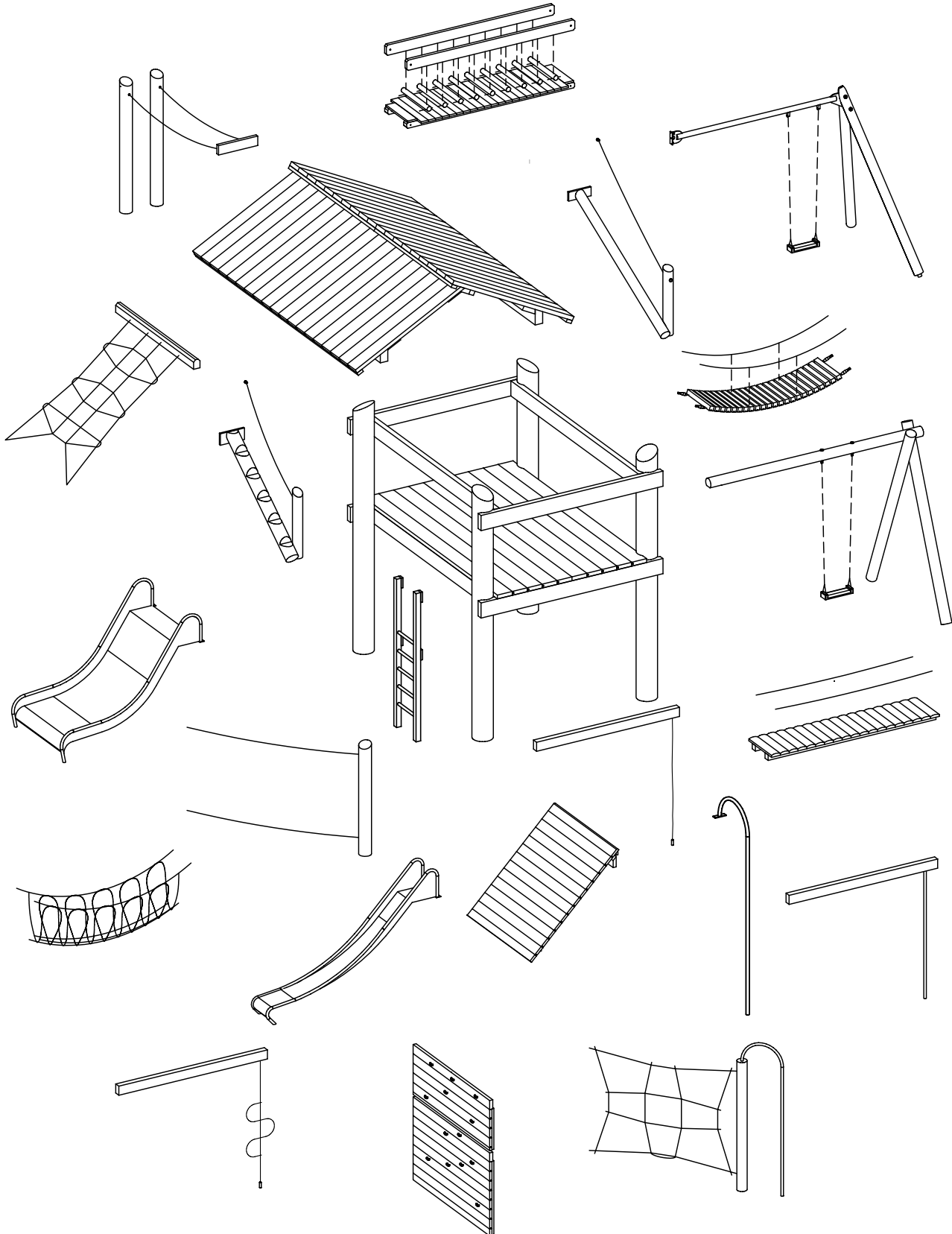
Standard elements for combination

with Platform 1.50 m

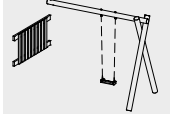
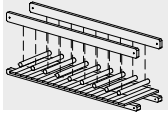




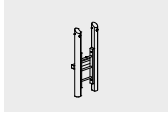
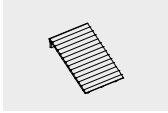

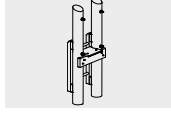




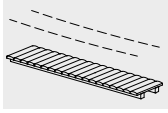

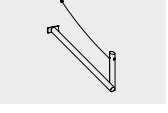
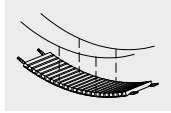
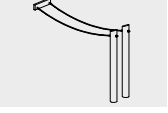
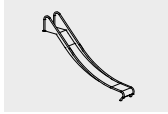
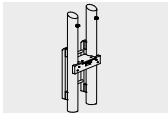
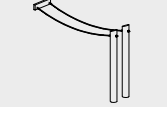

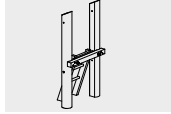

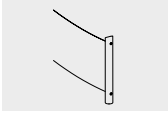
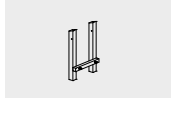
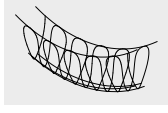
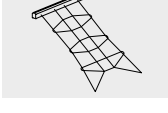
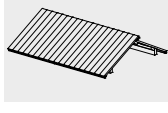



Order No 3.26300

with Hexagonal Platform 1.50 m

Order No 3.28300



Standard elements for combination with Platforms 1.50 m

Order No. Product name	Page	Order No. Product name	Page	Order No. Product name	Page	Order No. Product name	Page
 3.19850 High Swing	63	 3.66260 ff. Handrails and Running Board Timbers path 3, 4 m	73	MISCELLANEOUS		 3.69412 Climbing Ladder with Beam	76
 3.19852 High Swing special	63	BRIDGE ELEMENTS		 3.67360/3.67370 Ladders	69	 3.69452 Climbing Rope with Beam	76
SUSPENSION BRIDGE ELEMENTS		 3.66387 End Frame with Ladder	74	 3.67520 Inclined Wall	68	 3.69460 Straight Firemen's Pole	76
 3.66030 End Frame with Ladder	71	 3.66370 Support Frame for Chain Handrail	70	 3.69470 Holding Rope	75	 3.69464 Bent Firemen's Pole	76
 3.66075 Support Frame	70	 3.66320 ff. Bridge 3, 4, 5 m with Chain Handrail	74	 3.67515/3.67516 Climbing Wall	75	 3.68300 Inclined Balancing Beam	67
 3.66090 ff. Running Boards 3, 4, 5 m	71	ROPE BRIDGE ELEMENTS		 3.68510 Double Hanging Rope	65	 3.63020 Stainless Steel Slide width 0.45 m	62
CHAIN PATH ELEMENTS		 3.66520 End Frame with Ladder	72	 3.68510 Double Hanging Rope	65	 3.63320 Stainless Steel Slide width 1.00 m	440
 3.66220 End Frame with Ladder	73	 3.66623 Support Frame	70	 3.69010 Balancing Rope with Holding Rope	65	 3.69510 Climbing Trunk with Chain Handrail	66
 3.66230 End Frame for Inclined Path without safety board	73	 3.66550 ff. Rope Bridge 3, 4, 5 m	72	 3.69160 Inclined Climbing Net	64	 3.26800/3.26900 Roof	77
 3.66250 Support Frame	70			 3.69350 Vertical Climbing Net	67	 3.26920 Roof	78

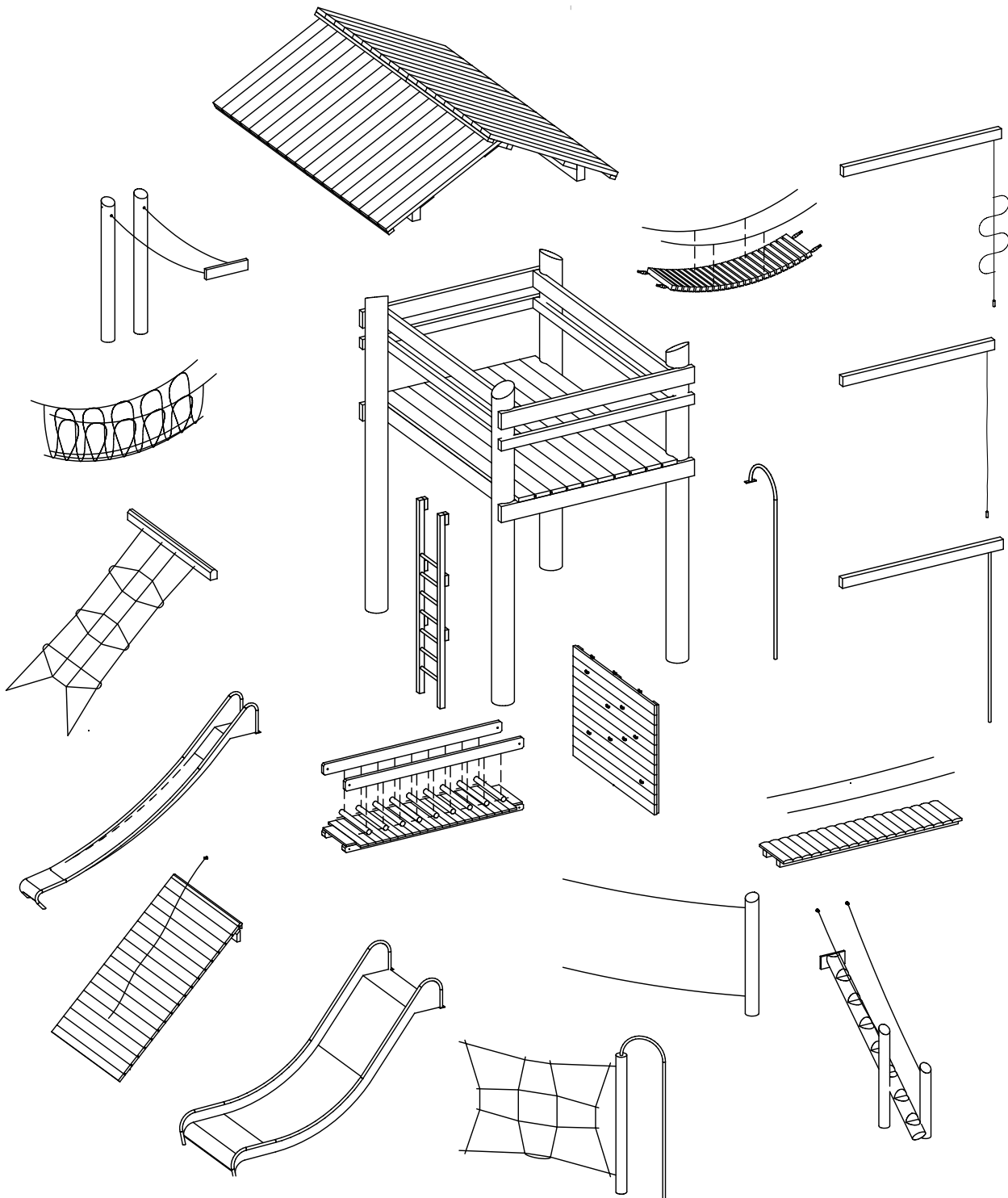
Standard elements for combination

with Platform 2.00 m

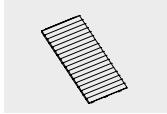

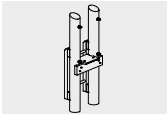





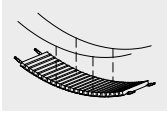
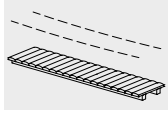

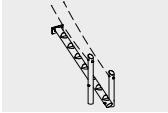
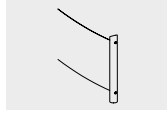

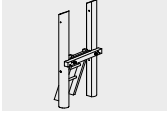
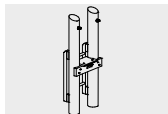


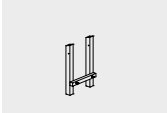


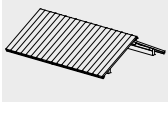
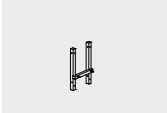
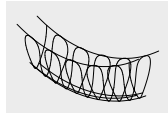

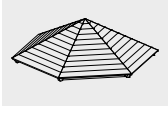
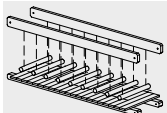


Order No 3.26500

with Hexagonal Platform 2.00 m

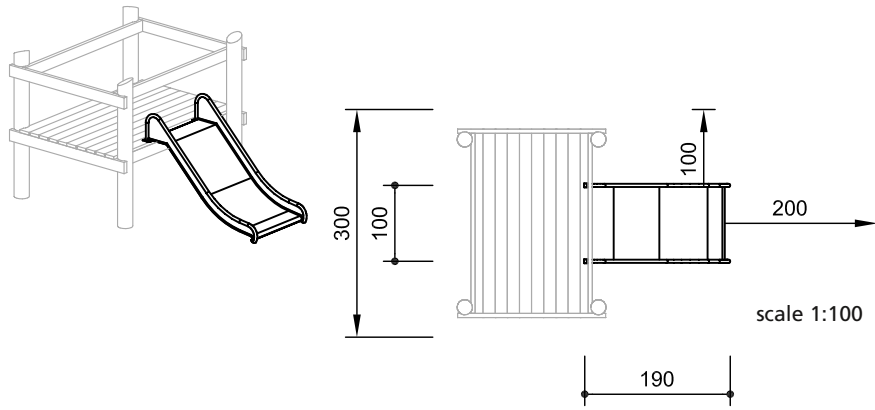
Order No 3.28500



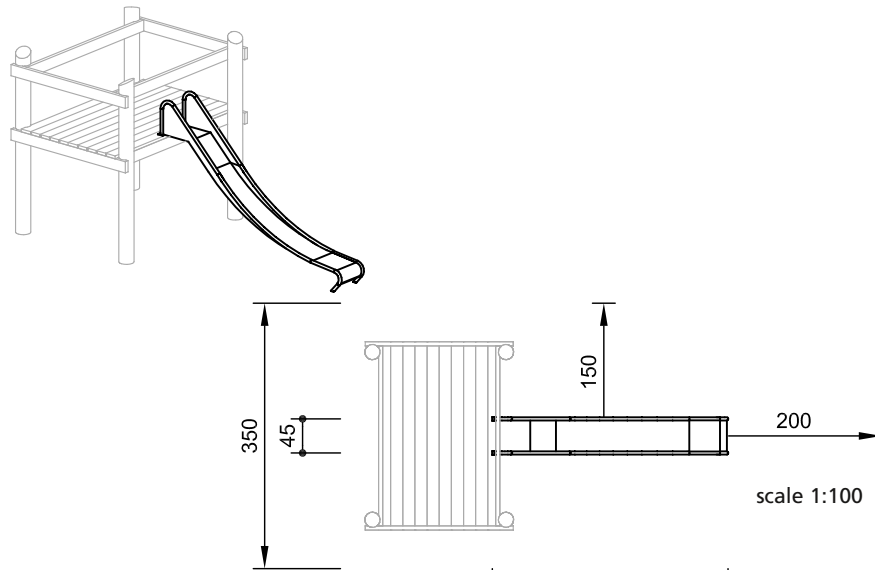
Standard elements for combination with Platforms 2.00 m

Order No. Product name	Page	Order No. Product name	Page	Order No. Product name	Page	Order No. Product name	Page
SUSP. BRIDGE ELEMENTS		BRIDGE ELEMENTS					
				3.67500 Inclined Wall	68	3.69460 Straight Firemen's Pole	76
3.66030 End Frame with Ladder	71	3.66387 End Frame with Ladder	74	3.69440 Holding Rope			
							
3.66085 Support Frame	70	3.66370 Support Frame for Chain Handrail	70	3.67505/3.67506 Climbing Wall	75	3.69464 Bent Firemen's Pole	76
							
3.66090 ff. Running Boards 3, 4, 5 m	71	3.66320 ff. Bridge 3, 4, 5 m with Chain Handrail	74	3.68510 Double Hanging Rope	65	3.69520 Climbing Trunk with Chain Handrail	66
CHAIN PATH ELEMENTS		ROPE BRIDGE ELEMENTS					
				3.69010 Balancing Rope with Holding Rope	65	3.63420 Stainless Steel Slide width 0.45 m	438
3.66220 End Frame with Ladder	73	3.66520 End Frame with Ladder	72				
				3.69180 Inclined Climbing Net	64	3.63360 Stainless Steel Slide width 1.00 m	440
3.66230 End Frame for Inclined Path without safety board	73	3.66633 Support Frame	70				
				3.69350 Vertical Climbing Net	67	3.26800/3.26900 Roof	77
3.66250 Support Frame	70	3.66550 ff. Rope Bridge 3, 4, 5 m	72				
		MISCELLANEOUS					
3.66260 ff. Handrails and Running Board Timbers path 3, 4 m	73			3.69413 Climbing Ladder with Beam	76	3.26920 Roof	78
		3.67380/3.67390 Ladders	69	3.69451 Climbing Rope with Beam	76		

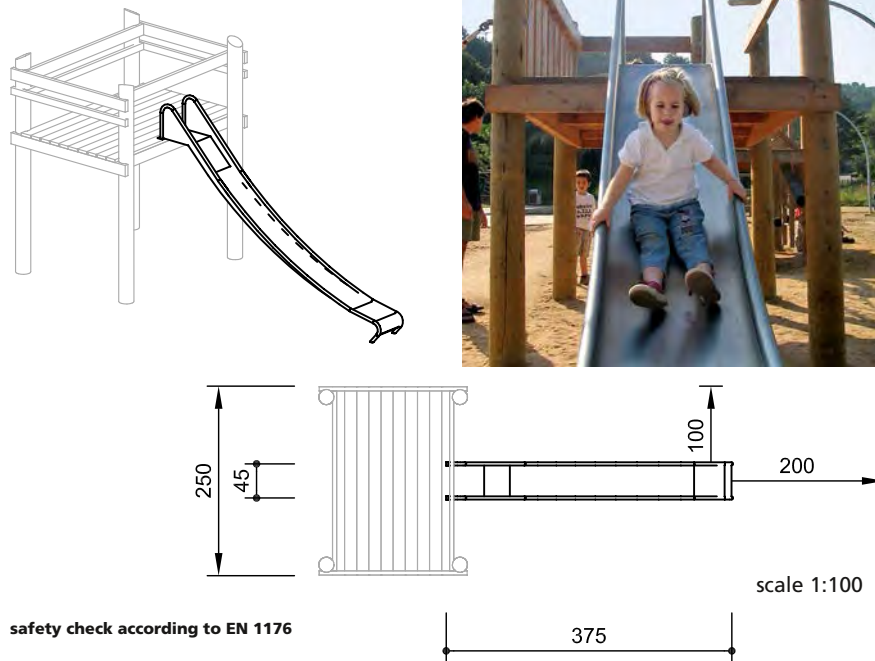
Order No 3.63300 Stainless Steel Slide
installation height 1.00 m



Order No 3.63020 Stainless Steel Slide
installation height 1.50 m



Order No 3.63420 Stainless Steel Slide
installation height 2.00 m



safety check according to EN 1176



3.63300



3.63020



3.63420

Technical information

total construction of slides made of stainless steel, slide walls glass bead blasted

thickness of sliding surface 2 mm

handrail tube Ø 42 mm

ground anchor of oak heartwood

Order No 3.63020/3.63420

one-piece construction

total construction of slides mould-profiled longitudinally, no welding seams along the slide surface



Dimensions

(small deviations possible)

Order No 3.63300

sliding width 1.00 m
weight 65 kg

Order No 3.63020

sliding width 0.45 m
weight 53 kg

Order No 3.63420

sliding width 0.45 m
weight 69 kg

Components

1 slide with ground anchor

Installation information

Surfacing requirements corresponding to a fall height determined by installation height otherwise depending on the installation conditions (please refer to price list for more detailed information)

Foundations excavation depth for ground anchor 55 cm

Attention:

Exact measurements may vary; for all installation dimensions refer to current assembly instructions.
Technical changes reserved.

Note

The slides shown on this page are examples from our standard slide range. For additional types of slides please refer to Movement > Sliding.

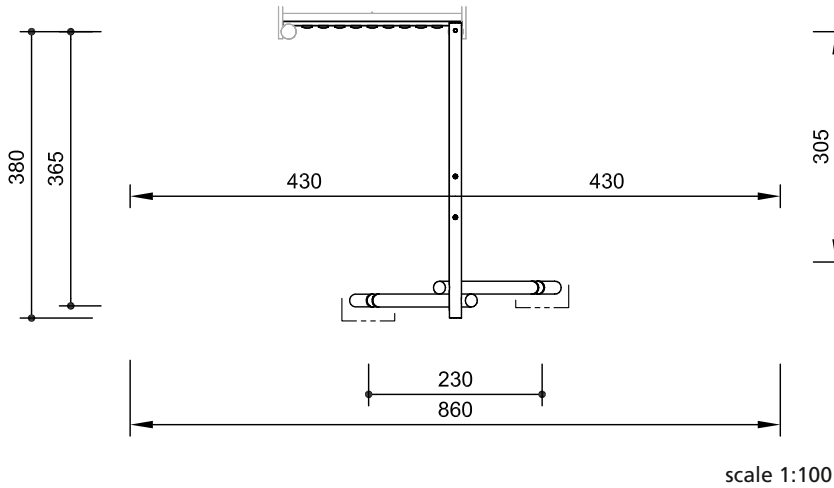
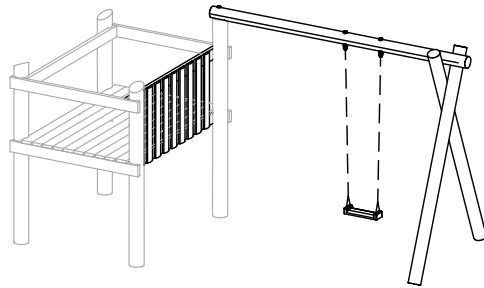
Note on installation

Avoid orientation of the slide to the south (heating up of material).

Please refer to the price list for a more detailed explanation of the quality characteristics.

High Swing long
Order No 3.19850

for attachment to Platform 1.50 m



scale 1:100

For a description of the materials used for the attachment swings, please refer to Movement Swinging.

Dimensions

(small deviations possible)

Order No	3.19850	3.19852
height	3.00 m	3.00 m
vertical clearance	2.80 m	2.80 m
length	3.65 m	3.95 m
width	2.30 m	2.20 m
weight	185 kg	145 kg

Components

Order No 3.19850

- 1 support frame
- 1 cross beam with joints
- 1 swing seat with chains
- 1 guarding section for platform

Order No 3.19852

- 1 support frame with steel feet
- 1 cross beam made of steel with joints
- 1 swing seat with chains
- 1 guarding section for platform

Installation information

Surfacing requirements corresponding to a fall height of ≤ 2.00 m (please refer to price list for more detailed information)

Foundations

Order No 3.19850

- 2 items 60 x 70 x 60 cm excavation depth 80 cm

Order No 3.19852

- 2 items 60 x 70 x 40 cm excavation depth 60 cm

Attention:

Exact measurements may vary; for all installation dimensions refer to current assembly instructions.

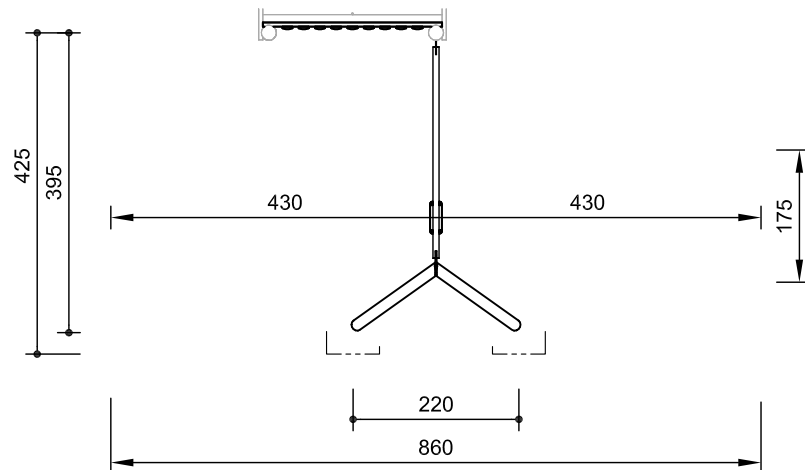
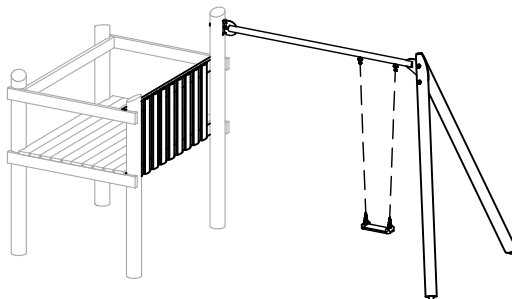
Technical changes reserved.

Order No. 3.19850 also available with steel feet.

High Swing special long

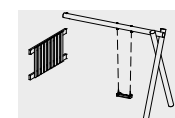
Order No 3.19852

for attachment to Platform 1.50 m



scale 1:100

safety check according to EN 1176

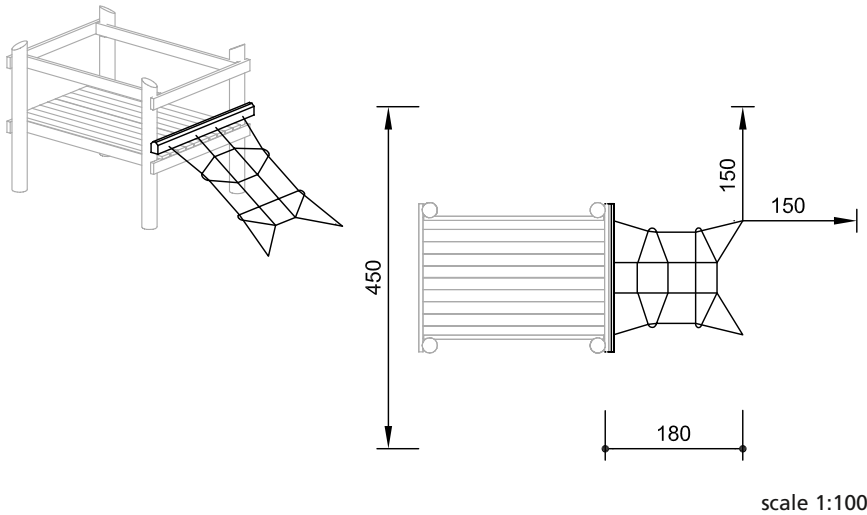


3.19850

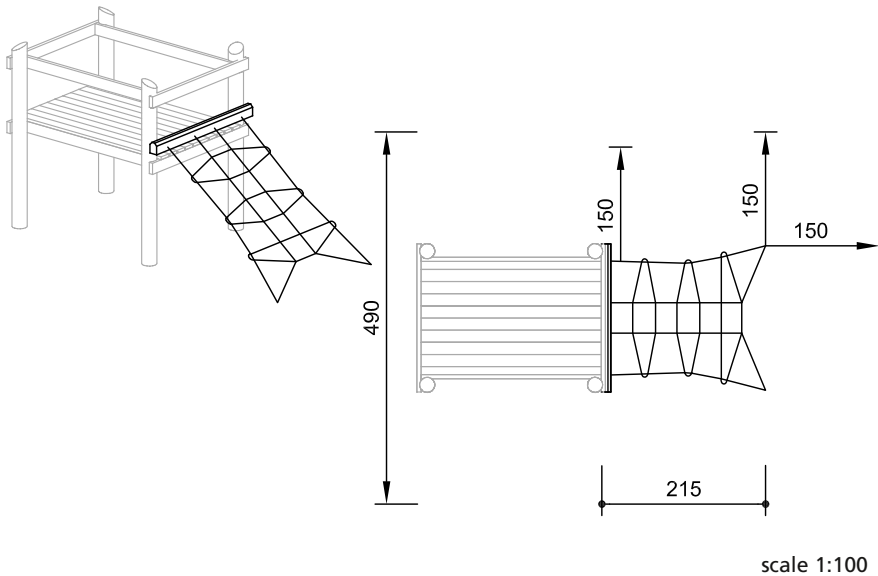


3.19852

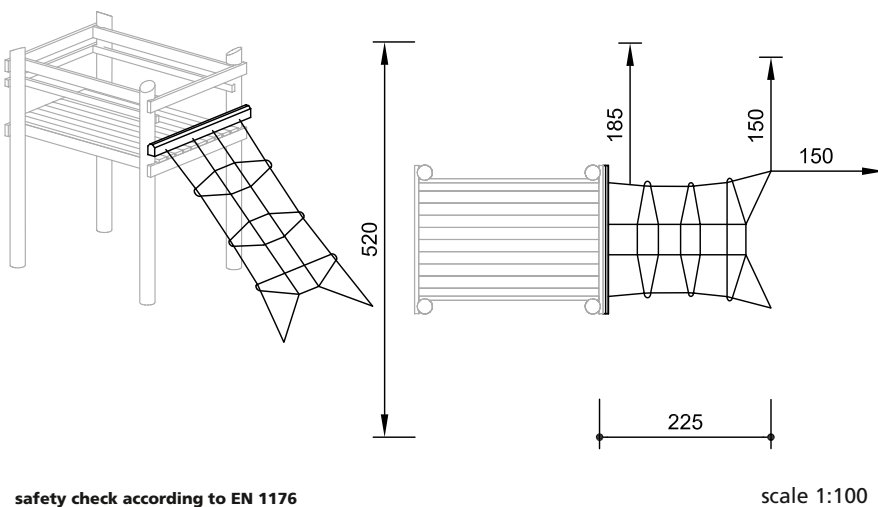
Order No 3.69140 Inclined Climbing Net
for attachment to Platform 1.00 m



Order No 3.69160 Inclined Climbing Net
for attachment to Platform 1.50 m



Order No 3.69180 Inclined Climbing Net
for attachment to Platform 2.00 m



safety check according to EN 1176



3.69140



3.69160



3.69180

Technical information

core-free timber

cross beams of non-impregnated mountain larch, core-free, thus decreasing occurrences of cracking



Corocord® rope

special ropes of "Hercules type"
net of 19 mm six-strand Corocord® rope of the special "Hercules type", abrasion-protected through heating of the six steel strands and melting the polyamide sleeve onto them, standard colour red



aluminium swages

double-conical aluminium swages with rounded-off ends



S-clamps

neatly rounded Corocord®S-clamps of stainless steel, Ø 8 mm



Dimensions

(small deviations possible)

Order No 3.69140

net 1.50 x 2.00 m
installation height 1.00 m
weight 55 kg

Order No 3.69160

net 1.50 x 2.50 m
installation height 1.50 m
weight 60 kg

Order No 3.69180

net 1.50 x 3.00 m
installation height 2.00 m
weight 65 kg

Components

1 inclined climbing net with cross beam

Installation information

Surfacing requirements corresponding to a fall height determined by installation height (please refer to price list for more detailed information)

Foundations

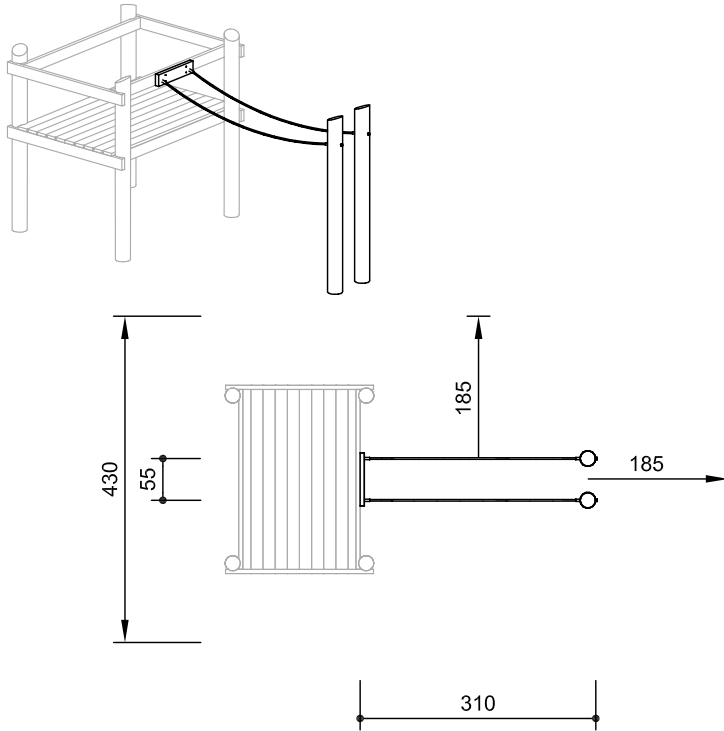
2 items 50 x 50 x 40 cm
excavation depth 80 cm

Attention:

Exact measurements may vary; for all installation dimensions refer to current assembly instructions.
Technical changes reserved.

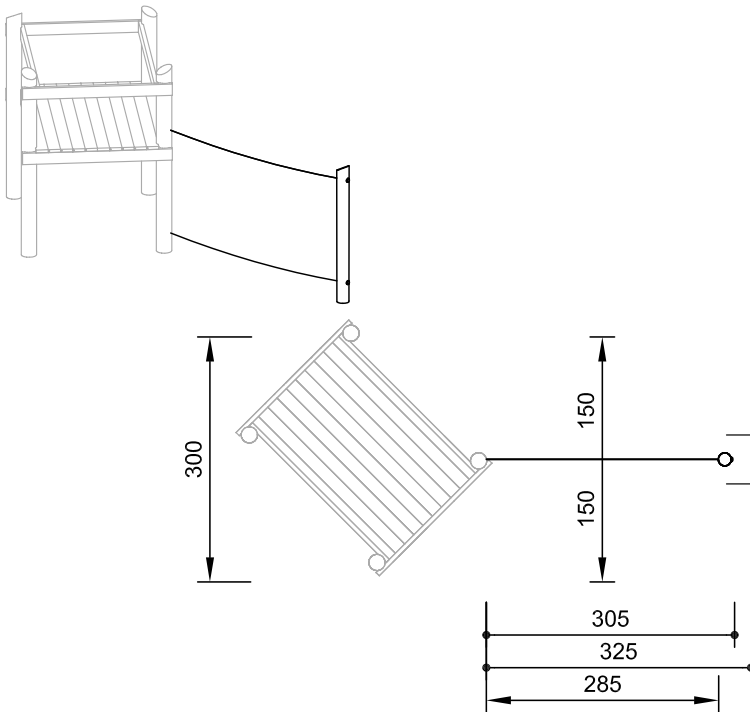
Please refer to the price list for a more detailed explanation of the quality characteristics.

Double Hanging Rope
Order No 3.68510



scale 1:100

Balancing Rope with Holding Rope
Order No 3.69010



scale 1:100

safety check according to EN 1176

Technical information

de-barked

de-barked posts, Ø 18 - 21 cm, of spruce/fir, boiler pressure impregnated according to DIN 68800-3, use class 4



angle cut

vertical stand posts with angle cut in the end grain section as constructive wood preservation



Corocord® rope

special ropes of "Hercules type"

six-strand Corocord® rope of the special "Hercules type", abrasion-protected through heating of the six steel strands and melting the polyamide sleeve onto them, standard colour red



aluminium swages

double-conical aluminium swages with rounded-off ends



rope connection fixed

close fitting connection without dangerous openings



Dimensions

(small deviations possible)

Order No 3.68510

height of rope	2.00 m
length	3.10 m
width	0.55 m
weight	90 kg

Order No 3.69010

height of balancing rope	0.25 m
height of holding rope	1.40 m
length	3.05 m
weight	50 kg

Components

Order No 3.68510

2 stand posts
2 ropes, length 2.90 m

Order No 3.69010

1 stand post
2 ropes, length 2.90 m

Installation information

Surfacing requirements

Order No 3.68510

corresponding to a fall height of ≤ 2.00 m

Order No 3.69010

corresponding to a fall height of ≤ 1.50 m
(please refer to price list for more detailed information)

Foundations

Order No 3.68510

1 item 60 x 110 x 60 cm
excavation depth 80 cm

Order No 3.69010

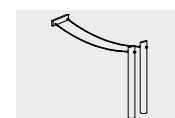
1 item 60 x 60 x 50 cm
excavation depth 70 cm

Please refer to the price list for a more detailed explanation of the quality characteristics.

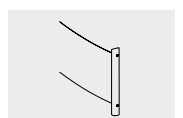
Attention:

Exact measurements may vary; for all installation dimensions refer to current assembly instructions.
Technical changes reserved.

Equipment also available with steel feet or made of larch with steel feet.



3.68510

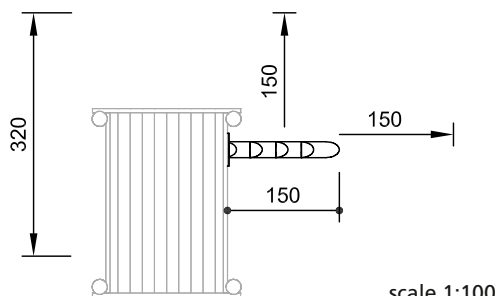
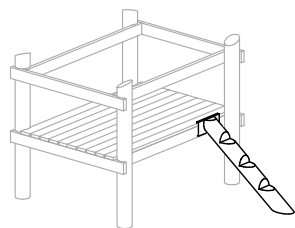


3.69010

Climbing Trunk

Order No 3.69500

for attachment to Platform 1.00 m

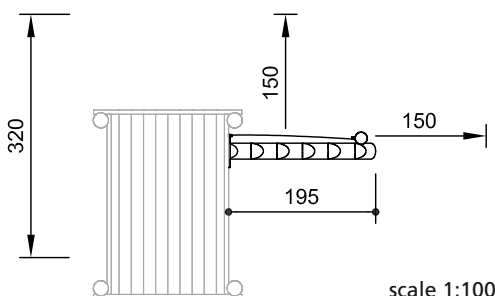
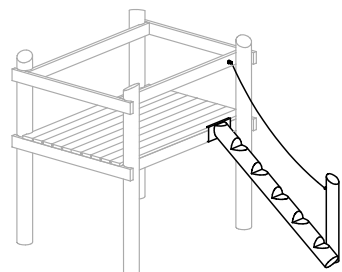


scale 1:100

Climbing Trunk with handrail on one side

Order No 3.69510

for attachment to Platform 1.50 m

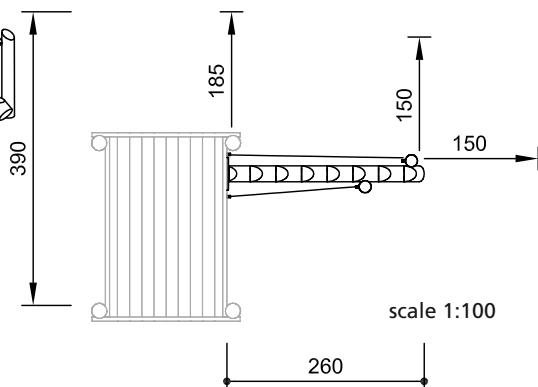
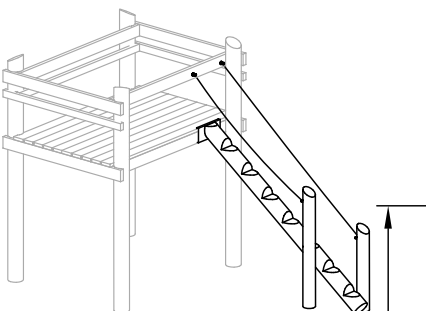


scale 1:100

Climbing Trunk with double-sided handrail

Order No 3.69520

for attachment to Platform 2.00 m

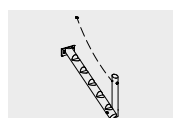


scale 1:100

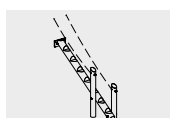
safety check according to EN 1176



3.69500



3.69510



3.69520

Technical information

equipment of non-impregnated mountain larch

de-barked

de-barked posts, stand posts
Ø 15 - 18 cm, climbing trunk Ø 22.5 cm



angle cut

vertical stand posts with angle cut in the end grain section as constructive wood preservation



chains

short-link chains, 6 mm, welded before hot-dip galvanisation (stainless steel chain available on request)



Dimensions

(small deviations possible)

Order No 3.69500

length 2.45 m
weight 50 kg

Order No 3.69510

length 2.35 m
weight 100 kg

Order No 3.69520

length 3.15 m
weight 140 kg

Components

Order No 3.69500

1 climbing trunk

Order No 3.69510

1 climbing trunk
1 stand post with chain handrail

Order No 3.69520

1 climbing trunk
2 stand posts with chain handrails

Installation information

Surfacing requirements corresponding to a fall height determined by installation height (please refer to price list for more detailed information)

Foundations

Order No 3.69500

1 item 60 x 100 x 40 cm
excavation depth 60 cm

Order No 3.69510

1 item 60 x 60 x 50 cm
excavation depth 70 cm

Order No 3.69520

2 items 60 x 60 x 50 cm
excavation depth 70 cm

Attention:

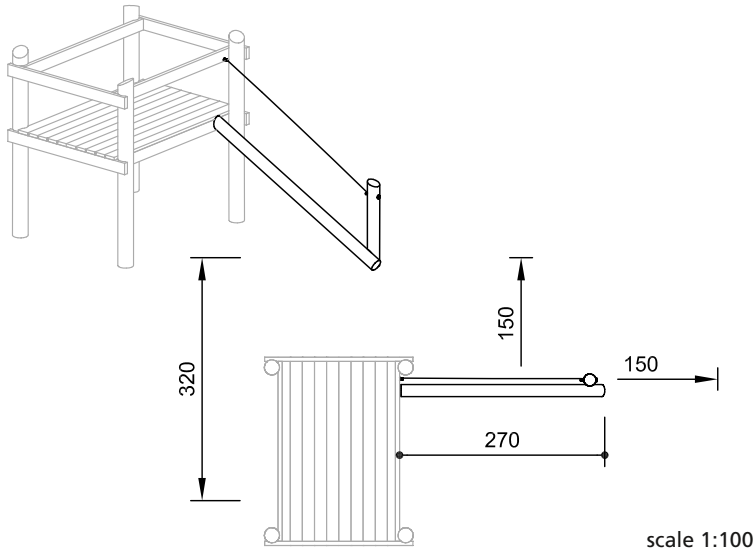
Exact measurements may vary; for all installation dimensions refer to current assembly instructions.

Technical changes reserved.

Equipment also available with steel feet.

Please refer to the price list for a more detailed explanation of the quality characteristics.

Inclined Balancing Beam
Order No. 3.68300
 for attachment to Platform 1.50 m



Technical information

Order No. 3.68300

equipment of non-impregnated mountain larch
de-barked
 de-barked posts, Ø 15 - 18 cm



angle cut

vertical stand posts with angle cut in the end grain section as constructive wood preservation



chains

short-link chains, 6 mm, welded before hot-dip galvanisation (stainless steel chain available on request)



Dimensions

(small deviations possible)
 length 3.00 m
 weight 100 kg

Components

- 1 inclined balancing beam
- 1 stand post with chain handrail

Installation information

Surfacing requirements corresponding to a fall height of ≤ 1.50 m (please refer to price list for more detailed information)

Foundations

- 1 item 60 x 60 x 50 cm
- excavation depth 70 cm

Order No 3.69350

de-barked
 de-barked posts, Ø 15 - 18 cm, of spruce/fir, boiler pressure impregnated according to DIN 68800-3, use class 4



perforated

the earth/air zone of the wood is perforated by small bore holes to ensure that the impregnating agent penetrates this particularly endangered zone



Corocord® rope

special ropes of "Hercules type"
 net of 19 mm six-strand Corocord® rope of the special "Hercules type", abrasion-protected through heating of the six steel strands and melting the polyamide sleeve onto them, standard colour red



S-clamps

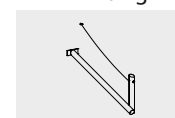
neatly rounded Corocord®S-clamps made of stainless steel, Ø 8 mm



firemen's pole of stainless steel, glass bead blasted, Ø 42 mm

Dimensions

(small deviations possible)
 height of net 2.00 m
 net size 1.75 x 2.50 m
 width 3.15 m
 weight 70 kg

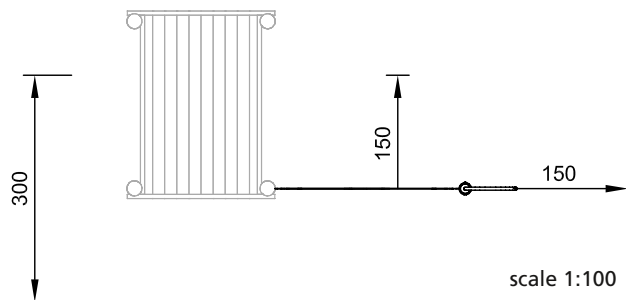
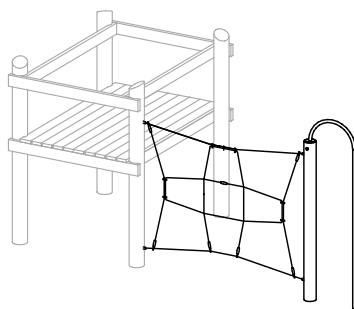


3.68300

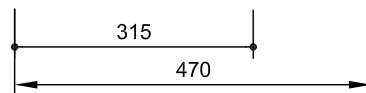


3.69350

Vertical Climbing Net
Order No 3.69350



safety check according to EN 1176



Components

- 1 vertical net with 1 stand post
- 1 bent fireman's pole

Installation information

Surfacing requirements corresponding to a fall height of ≤ 1.50 m (please refer to price list for more detailed information)

Foundations

- Order No 3.69350**
- 1 item 60 x 60 x 60 cm
 - excavation depth 80 cm
 - 1 item 55 x 40 x 30 cm
 - excavation depth 50 cm

Attention:
Exact measurements may vary; for all installation dimensions refer to current assembly instructions.

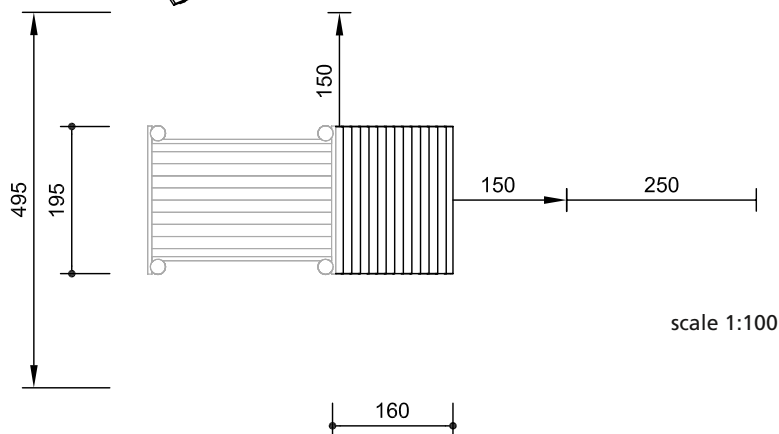
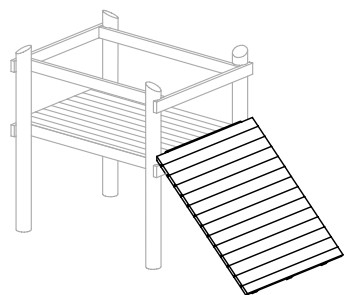
Technical changes reserved.

Equipment also available with steel feet; vertical net also available made of larch with steel feet.

Inclined Wall

Order No. 3.67520

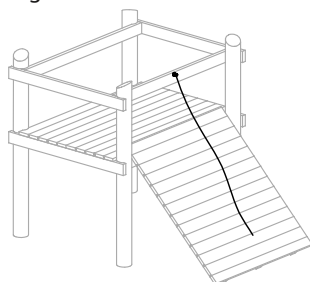
for attachment to Platform 1.50 m



Holding Rope

Order No 3.69470

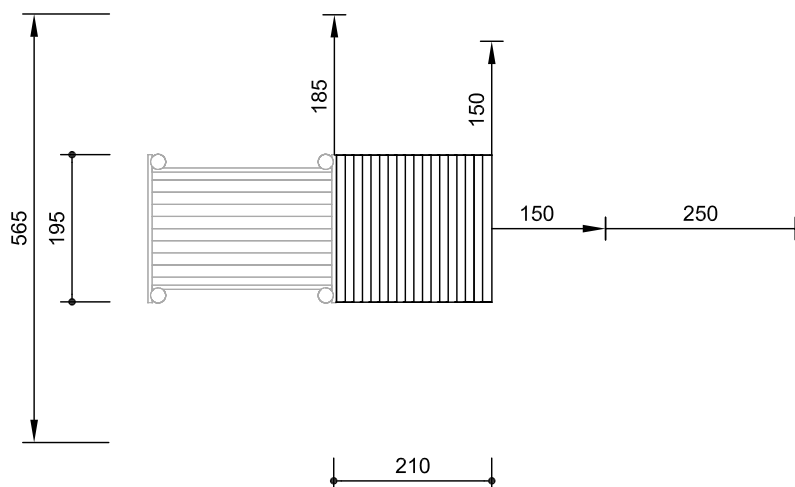
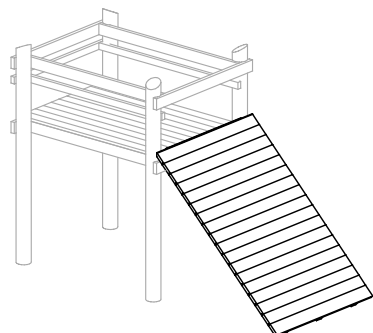
for Inclined Wall with installation height 1.50 m



Inclined Wall

Order No 3.67500

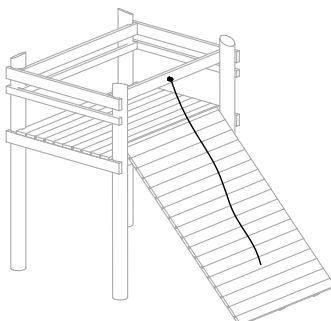
for attachment to Platform 2.00 m



Holding Rope

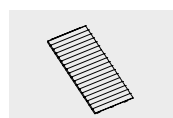
Order No 3.69440

for Inclined Wall with installation height 2.00 m

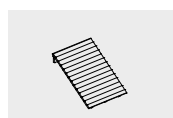


safety check according to EN 1176

scale 1:100



3.67500



3.67520

Technical information

Order No. 3.67520/3.67500

equipment of non-impregnated mountain larch, anchoring to the ground of oak heartwood

core-free timber

sawn timbers core-free, thus decreasing occurrences of cracking



tongue and groove

covering of 40 mm tongue and groove boarding



Dimensions

(small deviations possible)

Order No 3.67500

installation height 2.00 m
length 2.90 m
width 1.95 m
weight 200 kg

Order No. 3.67520

installation height 1.50 m
length 2.20 m
width 1.95 m
weight 150 kg

Components

1 inclined wall with inclination 45° with stand posts

Installation information

Surfacing requirements corresponding to a fall height of **Order No. 3.67500** ≤ 2.00 m **Order No. 3.67520** ≤ 1.50 m (please refer to price list for more detailed information)

Foundations

Order No 3.67500

2 items 50 x 50 x 40 cm excavation depth 60 cm

Order No 3.67520

2 items 50 x 50 x 40 cm excavation depth 60 cm

Order No. 3.69470/3.69440

Corocord® rope

special ropes of "Hercules type"

six-strand Corocord® rope of the special "Hercules type", abrasion-protected through heating of the six steel strands and melting the polyamide sleeve onto them, standard colour rainbow



aluminium swages

double-conical aluminium swages with rounded-off ends



rope connection rotating

close fitting connection without dangerous openings, with integrated swivel, the bearing consists of one brass bush



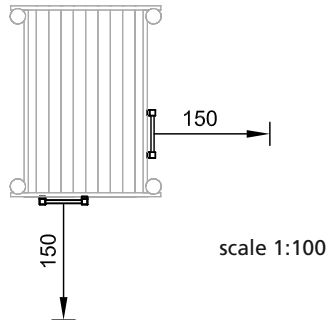
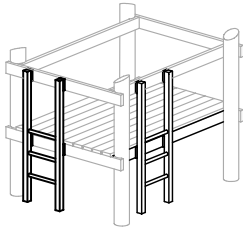
Attention:

Exact measurements may vary; for all installation dimensions refer to current assembly instructions. Technical changes reserved. **Equipment also available with steel feet.**

Please refer to the price list for a more detailed explanation of the quality characteristics.

Ladder for Platform 1.00 m
for attachment to the short side
Order No. 3.67340

for attachment to the long side
Order No. 3.67350



Technical information

equipment of non-impregnated mountain larch

core-free timber

sawn timbers core-free, thus decreasing occurrences of cracking



hardwood rungs

climbing rungs of hardwood, milled and mortised, Ø 42 mm



Dimensions

(small deviations possible)

inst. height	1.00 m	1.50 m	2.00 m
length	1.80 m	2.30 m	2.80 m
width	0.62 m	0.62 m	0.62 m
weight	14.5 kg	17.5 kg	20.5 kg

Components

1 ladder

Installation information

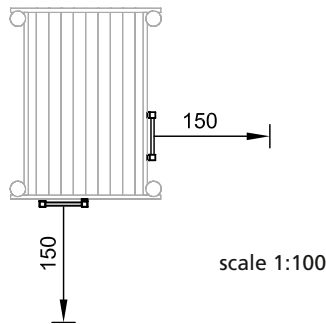
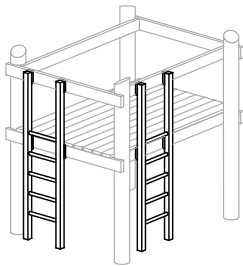
Surfacing requirements corresponding to a fall height determined by installation height (please refer to price list for more detailed information)

Attention:
Exact measurements may vary;
for all installation dimensions refer to current assembly instructions.
Technical changes reserved.



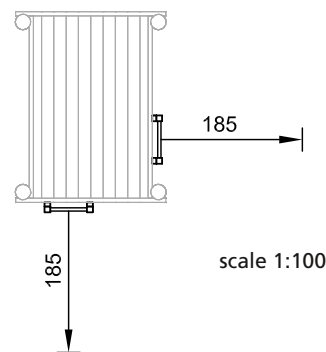
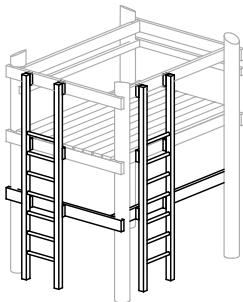
Ladder for Platform 1.50 m
for attachment to the short side
Order No. 3.67360

for attachment to the long side
Order No. 3.67370



Ladder for Platform 2.00 m
for attachment to the short side
Order No. 3.67380

for attachment to the long side
Order No. 3.67390



safety check according to EN 1176



3.67340/3.67350



3.67360/3.67370



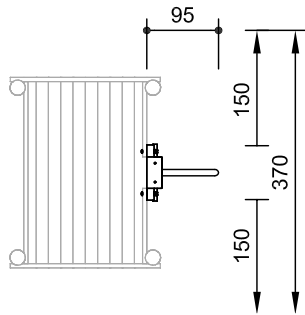
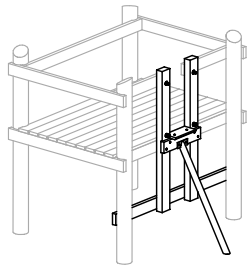
3.67380/3.67390

Please refer to the price list for a more detailed explanation of the quality characteristics.

SUPPORT FRAMES

for Suspension Bridge, platform height 1.50 m
Order No. 3.66075

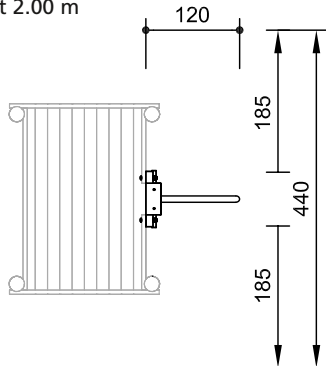
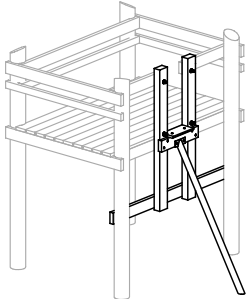
for Rope Bridge, platform height 1.50 m
Order No. 3.66623



scale 1:100

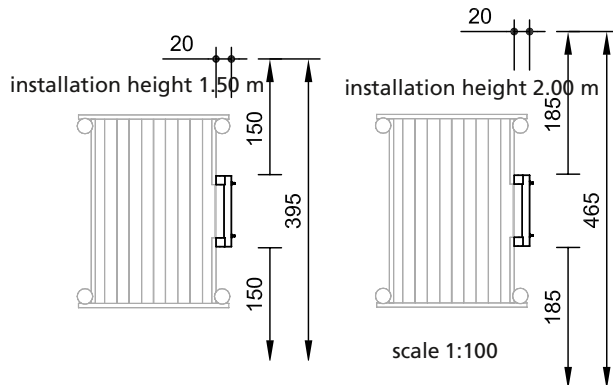
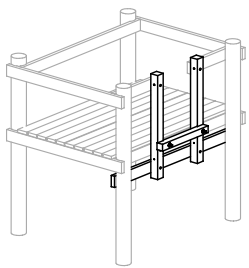
for Suspension Bridge, platform height 2.00 m
Order No. 3.66085

for Rope Bridge, platform height 2.00 m
Order No. 3.66633



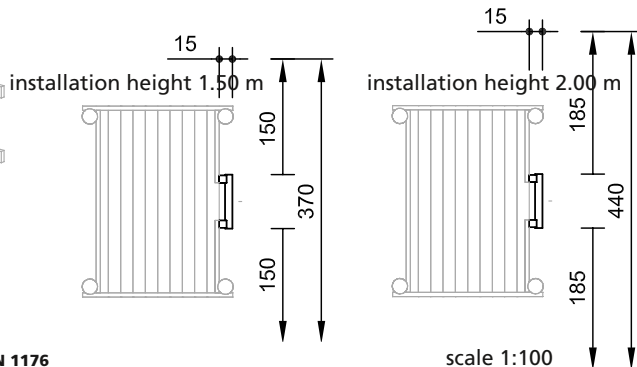
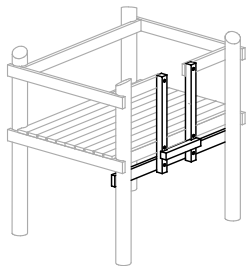
scale 1:100

for Chain Path
Order No. 3.66250



scale 1:100

for Bridges
Order No. 3.66370

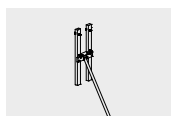


scale 1:100

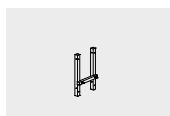
safety check according to EN 1176



3.66075/3.66623



3.66085/3.66633



3.66250



3.66370

Technical information

all support frames of non-impregnated mountain larch

core-free timber

sawn timbers core-free, thus decreasing occurrences of cracking



concealed head

large surface for pressure distribution, prevents water from getting inside, protects the bolt head



metal braces hot-dip galvanised, Ø 83 mm

Components

1 frame each
 with metal brace in the case of suspension bridges and rope bridges

Installation information

Surfacing requirements corresponding to a fall height determined by installation height (please refer to price list for more detailed information)

Foundations

Order No. 3.66075/3.66085

Support Frame for Suspension Bridge

Order No. 3.66623/3.66633

Support Frame for Rope Bridge

1 item 60 x 60 x 40 cm
 excavation depth 60 cm

Attention:

Exact measurements may vary; for all installation dimensions refer to current assembly instructions.
 Technical changes reserved.

Please refer to the price list for a more detailed explanation of the quality characteristics.

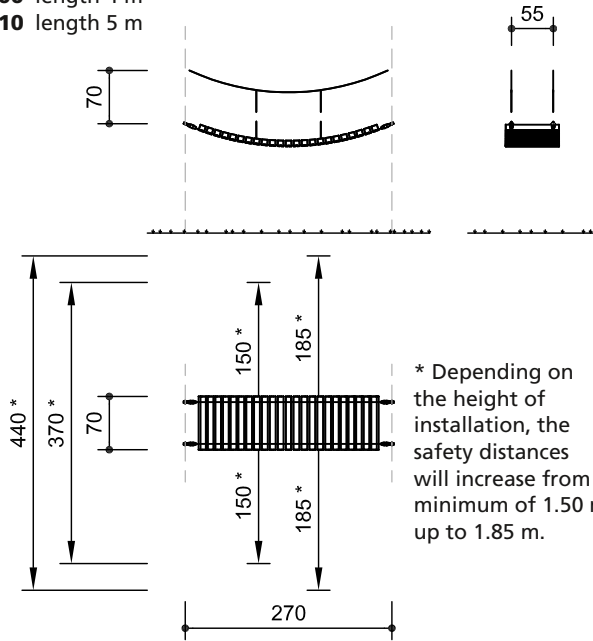
Running Boards for Suspension Bridges with chain handrails

Order No.

3.66090 length 3 m

3.66100 length 4 m

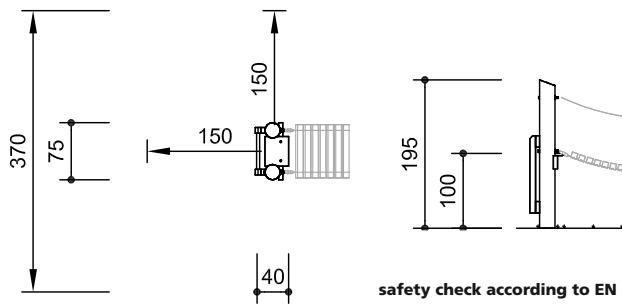
3.66110 length 5 m



* Depending on the height of installation, the safety distances will increase from a minimum of 1.50 m up to 1.85 m.

Order No. 3.66030
End Frame with Ladder

scale 1:100



safety check according to EN 1176



Installation information

Surfacing requirements depend on the installation conditions (please refer to price list for more detailed information)

Foundations

Order No. 3.66030 End Frame

1 item 125 x 120 x 60 cm
excavation depth 80 cm

Attention:

Exact measurements may vary; for all installation dimensions refer to current assembly instructions.
Technical changes reserved.
End frame also available with steel feet or made of larch with steel feet.

Technical information

running board timbers made of non-impregnated mountain larch

core-free timber

sawn timbers core-free, thus decreasing occurrences of cracking, running board timbers individually fastened to carrying ropes

rope connection with joint

close fitting connection without dangerous openings; the bearing consists of one brass bush

adjustable

easy to maintain, no projecting threads after re-tightening due to two-piece bolt connection

brass bush

for all to and fro movements we use bush bearings which allow for self-lubrication while in use and are easy to exchange if required

chains

short-link handrail chains, 6 mm, of stainless steel

carrying rope Ø 18 mm of "Hercules type" with steel core, suspended on drop-forged joints

Order No. 3.66030
End Frame with Ladder

de-barked

de-barked posts, Ø 18 - 21 cm, of spruce/fir, boiler pressure impregnated according to DIN 68800-3, use class 4

angle cut

vertical stand posts with angle cut in the end grain section as constructive wood preservation

perforated

the earth/air zone of the wood is perforated by small bore holes to ensure that the impregnating agent penetrates this particularly endangered zone

hardwood rungs

climbing rungs of hardwood, milled and mortised, Ø 42 mm

plywood

starting board made of three-layer waterproof plywood, mountain larch, 30 mm

Dimensions

(small deviations possible)

walkway length	2.70/3.70/4.60 m
walkway width	0.70 m
running boards	75 x 75 mm
weight	50/80/95 kg
end frame	
with ladder	100 kg

Components

Order No. 3.66030

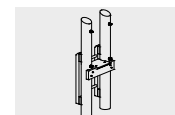
1 end frame with ladder

Order No. 3.66090/3.66100/3.66110

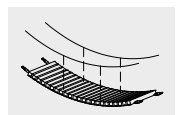
1 walkway with chain handrails and distance battens



Please refer to the price list for a more detailed explanation of the quality characteristics.



3.66030

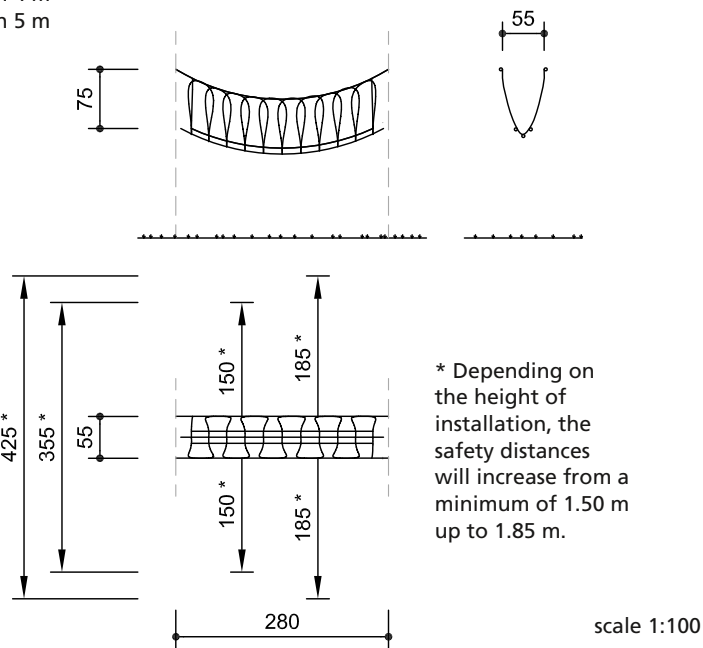


3.66090 -3.66110

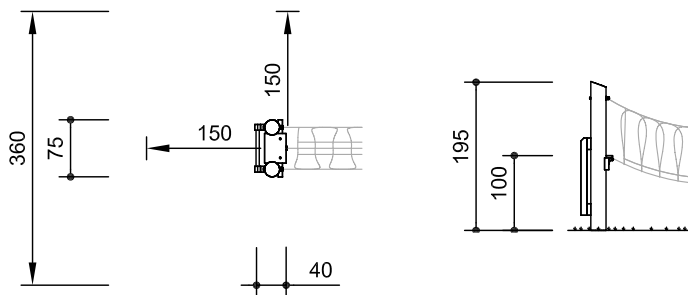
Running Boards for Rope Bridges

Order No.

- 3.66550** length 3 m
- 3.66560** length 4 m
- 3.66570** length 5 m



**Order No. 3.66520
End Frame with Ladder**



safety check according to EN 1176



Components

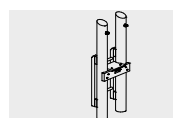
- Order No. 3.66520**
1 end frame with ladder
- Order No. 3.66550/3.66560/3.66570**
1 rope bridge with distance battens

Installation information

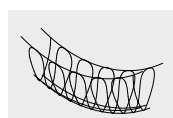
Surfacing requirements corresponding to a fall height determined by the installation situation (please refer to price list for more detailed information)

Foundations
Order No. 3.66520 End Frame
1 item 125 x 120 x 60 cm
excavation depth 80 cm

Attention:
Exact measurements may vary, for all installation dimensions refer to current assembly instructions.
Technical changes reserved.
End frame also available with steel feet or larch version with steel feet.



3.66520



3.66550 - 3.66570

Technical information

Corocord® rope special ropes of "Hercules type"
rope bridge of 19 mm six-strand Corocord® rope of the special "Hercules type", abrasion-protected through heating of the six steel strands and melting the polyamide sleeve onto them, standard colour red



aluminium swages
double-conical aluminium swages with rounded-off ends



S-clamps
neatly rounded Corocord®S-clamps made of stainless steel, Ø 8 mm



rope connection with joint
close fitting connection without dangerous openings; the bearing consists of one brass bush



adjustable
easy to maintain, no projecting threads after re-tightening due to two-piece bolt connection



brass bush
for all to and fro movements we use bush bearings which allow for self-lubrication while in use and are easy to exchange if required



**End Frame with Ladder
Order No. 3.66520**

de-barked
de-barked posts, Ø 18 - 21 cm, of spruce/fir, boiler pressure impregnated according to DIN 68800-3, use class 4



angle cut
vertical stand posts with angle cut in the end grain section as constructive wood preservation



perforated
the earth/air zone of the wood is perforated by small bore holes to ensure that the impregnating agent penetrates this particularly endangered zone



hardwood rungs
climbing rungs of hardwood, milled and mortised, Ø 42 mm



plywood
starting board made of three-layer waterproof plywood, mountain larch, 30 mm



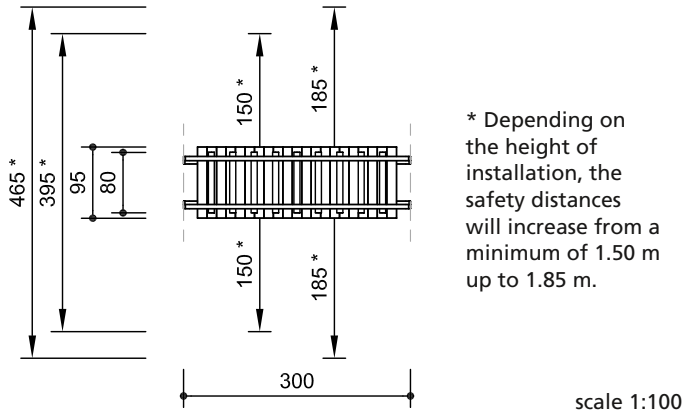
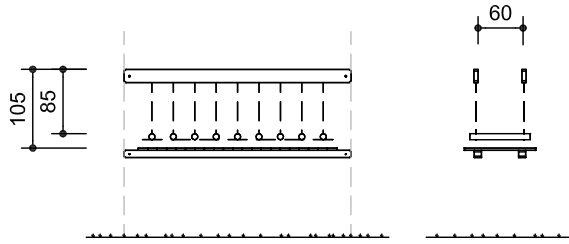
Dimensions
(small deviations possible)

bridge length	2.80/3.80/4.70 m
width	0.55 m
weight	40/53/66 kg
end frame	
with ladder	100 kg

Please refer to the price list for a more detailed explanation of the quality characteristics.

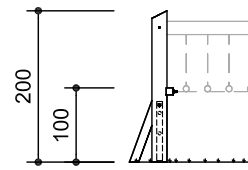
Running Board Timbers for Chain Path with safety board

Order No. 3.66260 length 3 m
Order No. 3.66270 length 4 m

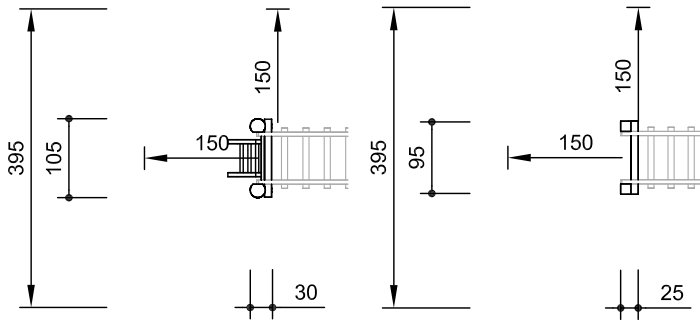
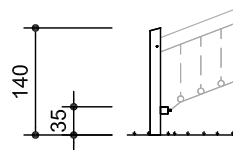


scale 1:100

Order No. 3.66220
End Frame with Ladder



Order No. 3.66230
End Frame for Inclined Chain Path



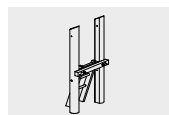
safety check according to EN 1176

Components

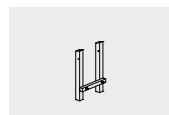
- Order No. 3.66260/3.66270**
 2 handrails with running board timbers and chains
 1 safety board
- Order No. 3.66263/3.66273**
 2 handrails with running board timbers and chains
- Order No. 3.66220**
 1 end frame with ladder
- Order No. 3.66230**
 1 end frame for inclined chain path

Attention:

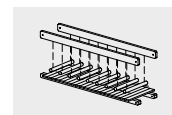
Exact measurements may vary; for all installation dimensions refer to current assembly instructions.
 Technical changes reserved.
End frames also available with steel feet or made of larch with steel feet.



3.66220



3.66230



3.66260 - 3.66270



3.66263 - 3.66273

Technical information

equipment of non-impregnated mountain larch

core-free timber

sawn timbers core-free, thus decreasing occurrences of cracking



chains

suspended on short-link chains 6 mm, welded before hot-dip galvanisation (stainless steel chains available on request)



Order No. 3.66220

End Frame with Ladder de-barked

de-barked posts, Ø 16/18 cm, of spruce/fir, boiler pressure impregnated according to DIN 68800-3, use class 4



angle cut

vertical stand posts with angle cut in the end grain section as constructive wood preservation



perforated

The earth/air zone of the wood is perforated by small bore holes to ensure that the impregnating agent penetrates this particularly endangered zone



hardwood rungs

climbing rungs of hardwood, milled and mortised, Ø 42 mm



Order No. 3.66230

End Frame for Inclined Chain Path

stand posts of oak heartwood, cross beams and ladder beams of non-impregnated mountain larch

core-free timber

sawn timbers core-free, thus decreasing occurrences of cracking



Dimensions

(small deviations possible)

handrail length	3.00/4.00 m
width	0.95 m
running boards	Ø 80 mm
weight	120/160 kg
end frame with ladder	100 kg
end frame for inclined chain path	70 kg

Installation information

Surfacing requirements corresponding to a fall height determined by the installation conditions (please refer to price list for more detailed information)

Foundations

Order No. 3.66220

End Frame with Ladder

- 2 items 60 x 60 x 60 cm
- 1 item 60 x 30 x 30 cm
- excavation depth 50 cm

Order No. 3.66230

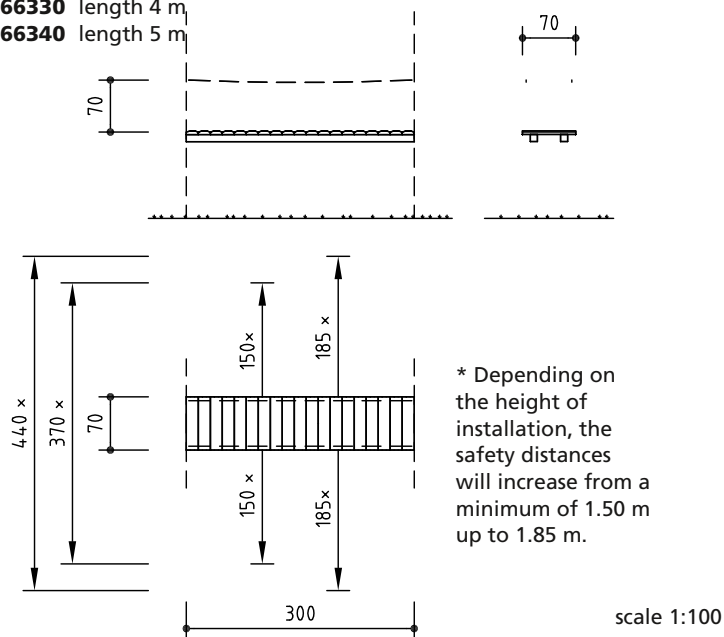
End Frame for Inclined Chain Path

- 2 items 60 x 60 x 50 cm
- excavation depth 70 cm

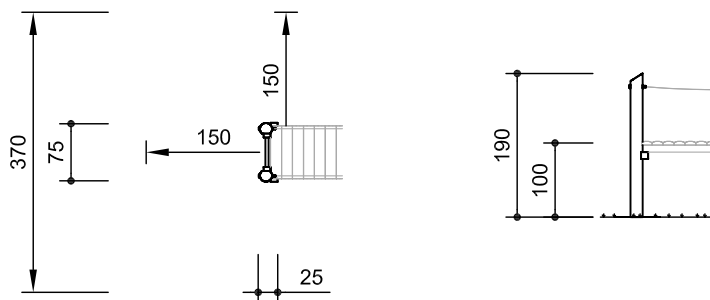
Please refer to the price list for a more detailed explanation of the quality characteristics.

Bridge with Chain Handrail

- Order No. 3.66320** length 3 m
- Order No. 3.66330** length 4 m
- Order No. 3.66340** length 5 m



Order No. 3.66387
End Frame with Ladder



safety check according to EN 1176

Components

- Order No. 3.66300**
1 bridge, length 3 m
- order No. 3.66320/3.66330/3.66340**
1 bridge with chain handrails
length 3, 4, 5 m
- Order No. 3.66387**
1 end frame with ladder

Installation information

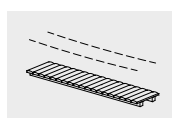
Surfacing requirements corresponding to a fall height determined by the installation conditions (please refer to price list for more detailed information)

Foundations

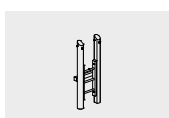
- Order No. 3.66387 End Frame**
1 item 120 x 60 x 50 cm
excavation depth 70 cm



3.66300



3.66320-3.66340



3.66387

Technical information

equipment of non-impregnated mountain larch

core-free timber
sawn timbers core-free, thus decreasing occurrences of cracking



claddings
thickness 4 – 5 cm, de-barked by hand



chains
suspended on short-link chains, 6 mm, welded before hot-dip galvanisation (stainless steel chains available on request)



Order No. 3.66387
End Frame of Round Timbers

de-barked
de-barked posts, Ø 15 - 18 cm, of non-impregnated mountain larch



angle cut
vertical stand posts with angle cut in the end grain section as constructive wood preservation



hardwood rungs
climbing rungs of hardwood, milled and mortised, Ø 42 mm



Dimensions
(small deviations possible)

length of bridge	3.00/4.00/5.00 m
width	0.70 m
weight	110/146/183 kg
end frame	
with ladder	50 kg

Attention:
Exact measurements may vary; for all installation dimensions refer to current assembly instructions.
Technical changes reserved.
End frame also available with steel feet.

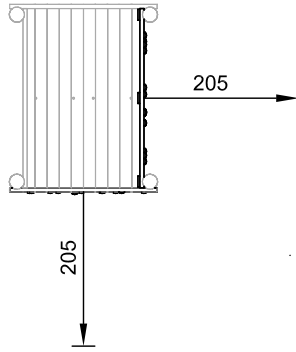
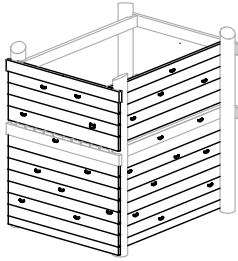


Please refer to the price list for a more detailed explanation of the quality characteristics.

Climbing Walls for Platform 1.50 m

for attachment to the short side
Order No. 3.67515

for attachment to the long side
Order No. 3.67516



Technical information

equipment of non-impregnated mountain larch

core-free timber

sawn timbers core-free, thus decreasing occurrences of cracking



tongue and groove

climbing walls of 40 mm tongue and groove boarding



professional climbing grips made of a mixture of sand/synthetic resin with 100% safe anti-rotation system against unintended twisting of the grips

Dimensions

(small deviations possible)

Order No. 3.67515/3.67516

height 2.30 m
width 2.00 or 2.20 m

Order No. 3.67505/3.67506

height 2.00 m
width 2.00 or 2.20 m

Components

Order No. 3.67515/3.67516

1 climbing wall
with 10 or 13 climbing grips

Order No. 3.67505/3.67506

1 climbing wall
with 8 or 11 climbing grips

Installation information

Surfacing requirements

Order No. 3.67515/3.67516

corresponding to a fall height of ≤ 3.00 m

Order No. 3.67505/3.67506

corresponding to a fall height of ≤ 2.00 m
(please refer to price list for more detailed information)

Attention:

Exact measurements may vary; for all installation dimensions refer to current assembly instructions.

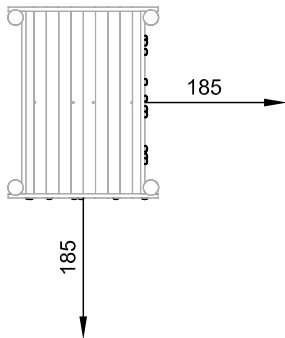
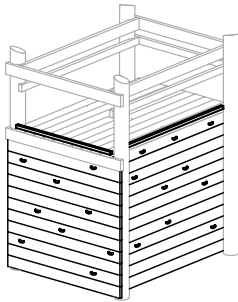
Technical changes reserved.

Please refer to the price list for a more detailed explanation of the quality characteristics.

Climbing Walls for Platform 2.00 m

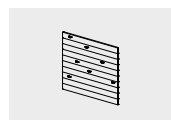
for attachment to the short side
Order No. 3.67505

for attachment to the long side
Order No. 3.67506

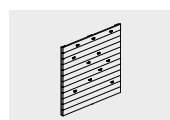


safety check according to EN 1176

scale 1:100



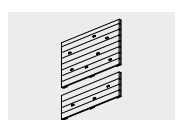
3.67505



3.67506

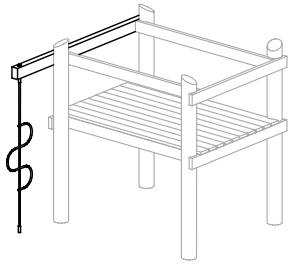


3.67515

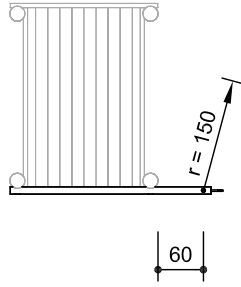


3.67516

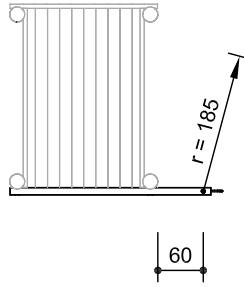
Climbing Ladder with Beam



Order No. 3.69412
for Platform 1.50 m



Order No. 3.69413
for Platform 2.00 m



Technical information

Order No. 3.69412/3.69413
3.69451/3.69452

core-free timber

sawn timbers of non-impregnated mountain larch, core-free, thus decreasing occurrences of cracking



Corocord® rope

special ropes of "Hercules type"
six-strand Corocord® rope, Ø 22 mm, of the special "Hercules type", abrasion-protected through heating of the six steel strands and melting the polyamide sleeve onto them, standard colour rainbow



rope connection fixed

close fitting connection without dangerous openings



Components

1 climbing ladder or climbing rope with beam and chain as anchoring to the ground each

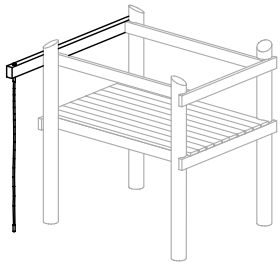
Installation information

fall height determined by platform height (please refer to price list for more detailed information)

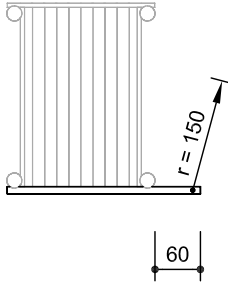
Foundations

1 item 30 x 30 x 30 cm
excavation depth 50 cm

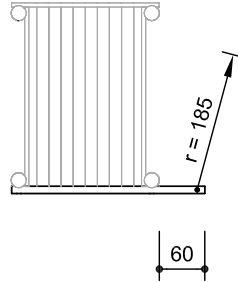
Climbing Rope with Beam



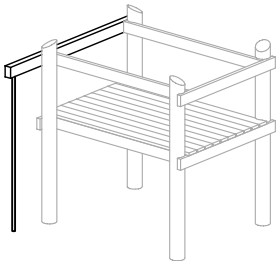
Order No. 3.69452
for Platform 1.50 m



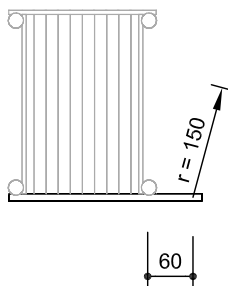
Order No. 3.69451
for Platform 2.00 m



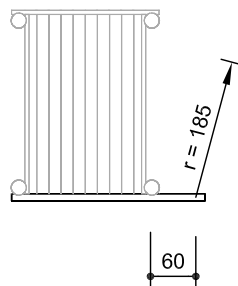
Straight Firemen's Pole with Beam



Order No. 3.69460
for Platform 1.50 m



Order No. 3.69460
for Platform 2.00 m



Order No. 3.69460

core-free timber

sawn timbers of non-impregnated mountain larch, core-free, thus decreasing occurrences of cracking



firemen's pole of stainless steel, glass bead blasted, Ø 42 mm

Components

1 straight firemen's pole with beam

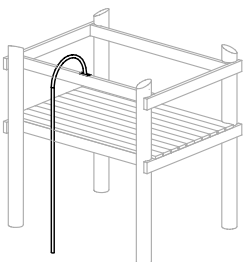
Installation information

fall height determined by platform height (please refer to price list for more detailed information)

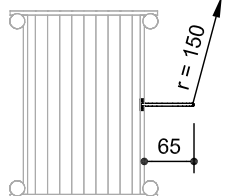
Foundations

1 item 30 x 30 x 30 cm
excavation depth 60 cm

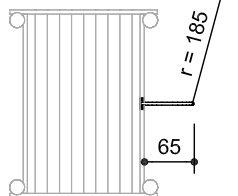
Bent Firemen's Pole with Beam



Order No. 3.69464
for Platform 1.50 m



Order No. 3.69464
for Platform 2.00 m



Order No. 3.69464

firemen's pole of stainless steel, glass bead blasted, Ø 42 mm

Installation information

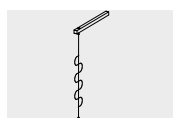
fall height determined by platform height (please refer to price list for more detailed information)

Components

1 bent fireman's pole

safety check according to EN 1176

scale 1:100



3.69413



3.69451



3.69460



3.69464

Foundations

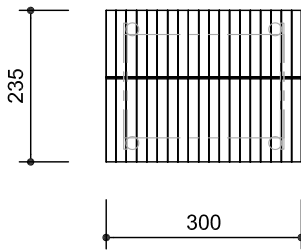
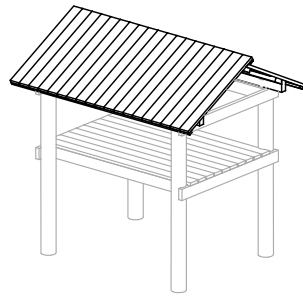
1 item 30 x 30 x 30 cm
excavation depth 60 cm

Attention:

Exact measurements may vary;
for all installation dimensions refer to current assembly instructions.
Technical changes reserved.

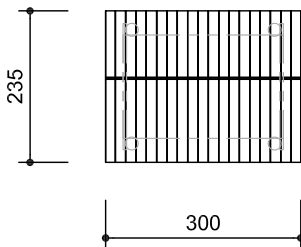
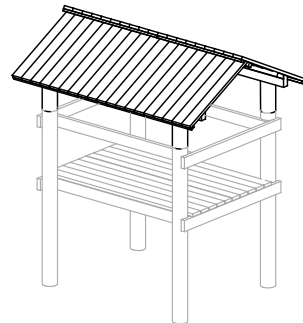
Please refer to the price list for a more detailed explanation of the quality characteristics.

Roof for Platforms
Order No. 3.26800



scale 1:100

Roof for Platforms, standing headroom
Order No. 3.26900



scale 1:100

Technical information

equipment of non-impregnated mountain larch

core-free timber

sawn timbers core-free, thus decreasing occurrences of cracking



tongue and groove

roof of 40 mm tongue and groove boarding



Dimensions

(small deviations possible)

Order No. 3.26800

roofed area 2.35 x 3.00 m
 ridge height 1.35 m
 from platform 200 kg

Order No. 3.26900

roofed area 2.35 x 3.00 m
 ridge height 1.80 m
 from platform 200 kg

Components

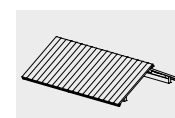
2 roof sections each including supporting structure

Attention:

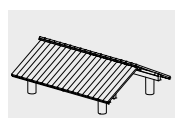
Exact measurements may vary; for all installation dimensions refer to current assembly instructions.
 Technical changes reserved.

Please refer to the price list for a more detailed explanation of the quality characteristics.

safety check according to EN 1176

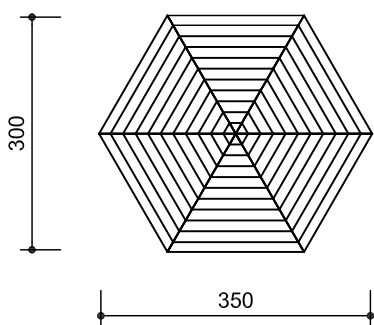
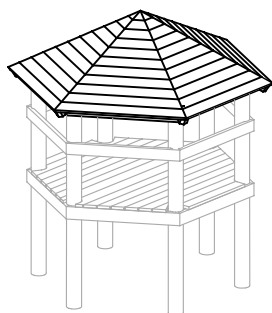


3.26800



3.26900

Roof for Hexagonal Platform
Order No. 3.26920



Technical information

equipment of non-impregnated mountain larch

core-free timber
 sawn timbers core-free, thus decreasing occurrences of cracking



tongue and groove
 roof of 40 mm tongue and groove boarding



Dimensions
 (small deviations possible)

roofed area 3.00 x 3.50 m
 weight 300 kg

Components

6 roof parts

Attention:
Exact measurements may vary;
for all installation dimensions refer
to current assembly instructions.
 Technical changes reserved.

Please refer to the price list for a more detailed explanation of the quality characteristics.

safety check according to EN 1176

scale 1:100

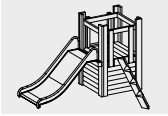



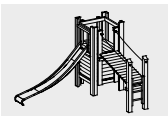
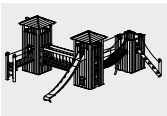
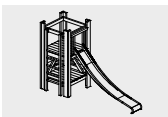




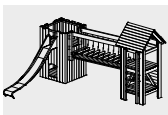


3.26920

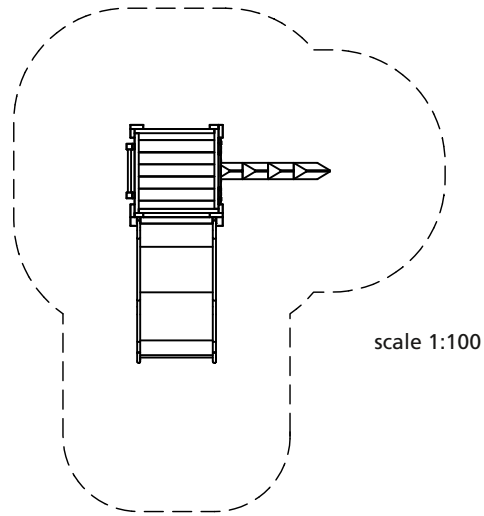
A Standard Combination Elements for Individual Play Installations

- 1 Huts
- 2 Towers
- 3 Platforms
- 4 **Combinations · Examples**
- 5 Triangular Platform
- 6 Special Towers

A 4 Combinations · Examples

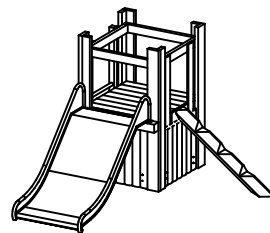
Order No. Item	page	Order No. Item	page
 2.12150 Hut Combination 215	79	 2.30000 Tower Combination 30	87
 2.12160 Hut Combination 216	80	 2.33100 Tower Combination 331	88
 2.12170 Hut Combination 217	81	 2.54000 Tower Combination 54	89
 2.13200 Hut Combination 32	82	 2.60000 Tower Combination 60	90
 2.13500 Hut Combination 350	83	Examples	91 - 96
 2.13710 Hut Combination 371	84		
 2.14700 Hut Combination 47	85		
 2.18000 Tower Combination 18	86		

Hut Combination 215
Order No. 2.12150

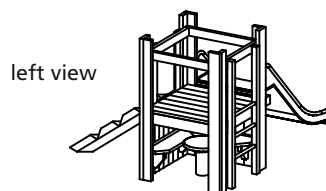


Required space incl. safety distances
 6.65 x 5.70 m

Components	Order No.
1 Small Platform Hut with 2 walls, 2 benches and 1 table	3.14150
1 Climbing Trunk	3.69505
1 Stainless Steel Slide with ground anchor attachment height 1.00 m	3.19200



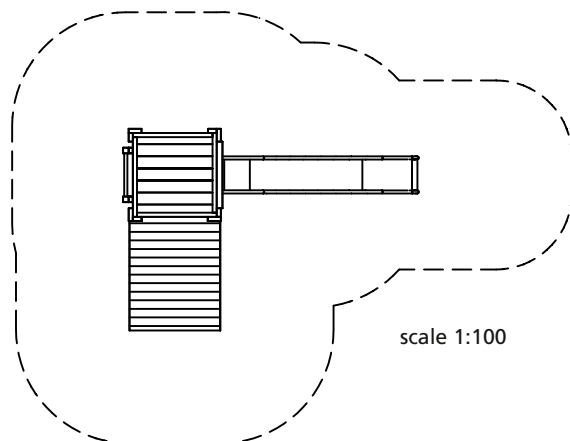
right view



left view



Hut Combination 216
Order No. 2.12160



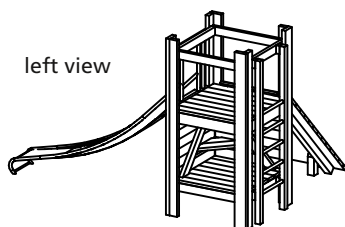
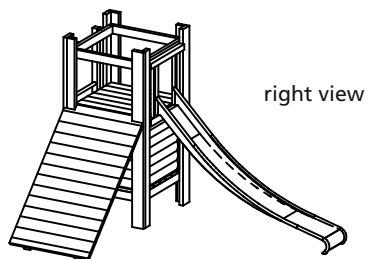
Required space incl. safety distances
 8.20 x 7.40 m

Components

Order No.

- 1 Platform Hut with 2 walls, 1 bench
- 1 Inclined Wall
- 1 Stainless Steel Slide with ground anchor attachment height 1.50 m

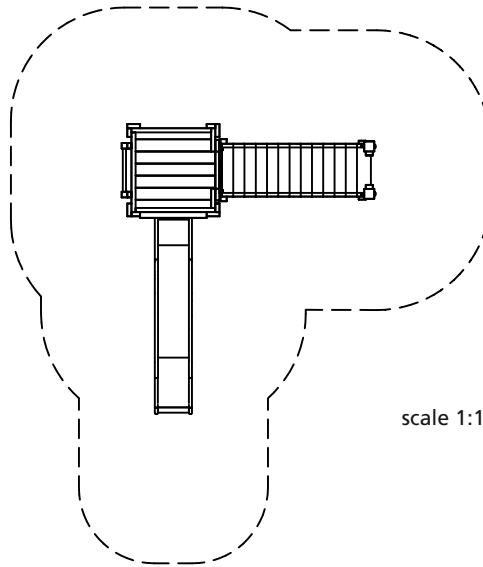
- 3.13100**
- 3.67530**
- 3.19210**



2.12160

Safety check according to EN 1176

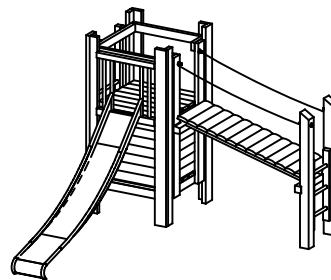
Hut Combination 217
Order No. 2.12170



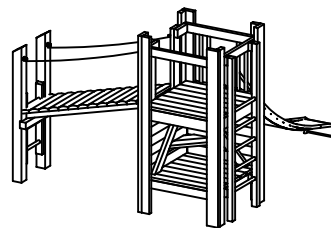
scale 1:100

Required space incl. safety distances
 7.35 x 6.35 m

Components	Order No.
1 Platform Hut with 2 walls, 1 bench	3.13100
1 Stainless Steel Slide with ground anchor attachment height 1.50 m	3.19210
1 Bridge 2.00 m with chain handrails	3.66420
1 Fastening Frame for Hut	3.66360
1 Endframe with ladder	3.66386



right view



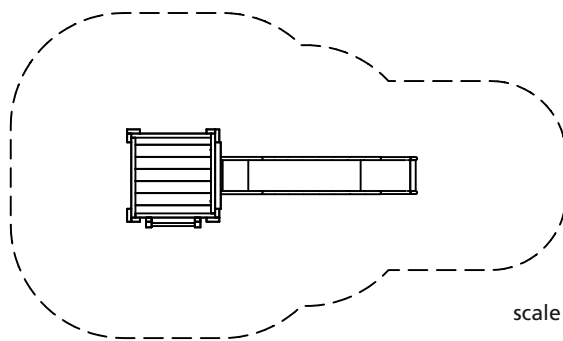
left view

Safety check according to EN 1176



2.12170

Hut Combination 32
Order No. 2.13200



scale 1:100

Required space incl. safety distances
 7.35 x 4.30 m

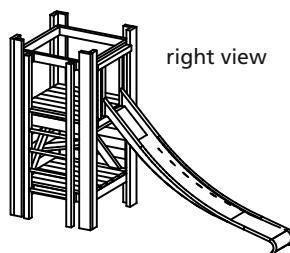
Components

Order No.

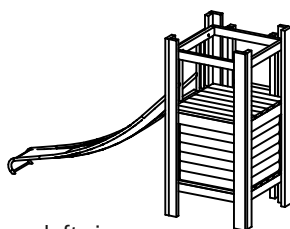
- 1 Platform Hut with 2 walls, 1 bench
- 1 Stainless Steel Slide with ground anchor attachment height 1.50 m

3.13100

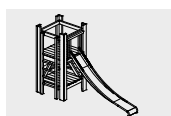
3.19210



right view



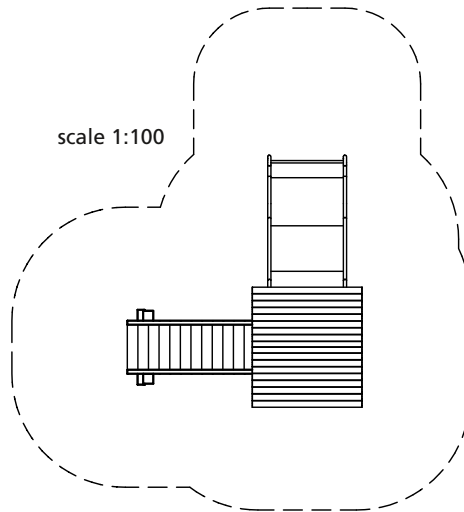
left view



2.13200

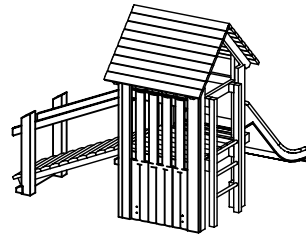
Safety check according to EN 1176

Hut Combination 350
with fittings
Order No. 2.13500



Required space incl. safety distances
6.65 x 6.05 m

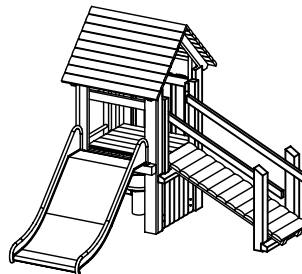
Components	Order No.
1 Small Platform Hut with roof, 2 walls, 2 benches, 1 table	3.14150
1 Barrier	3.13161
1 Bridge 2.00 m with wooden handrails	3.66425
1 Endframe for Bridge	3.66415
1 Stainless Steel Slide with ground anchor attachment height 1.00 m	3.19200



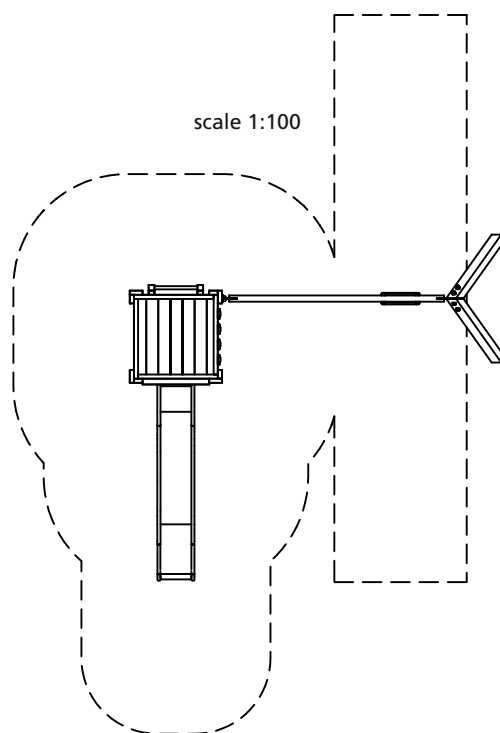
right view



left view



Hut Combination 371
Order No. 2.13710



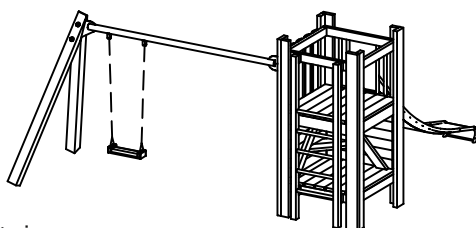
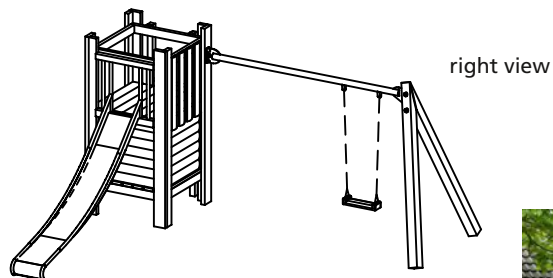
Required space incl. safety distances
 9.50 x 6.75 m

Components

- 1 Platform Hut with 2 walls, 1 bench
- 1 Single Swing special long
- 1 Stainless Steel Slide with ground anchor attachment height 1.50 m

Order No.

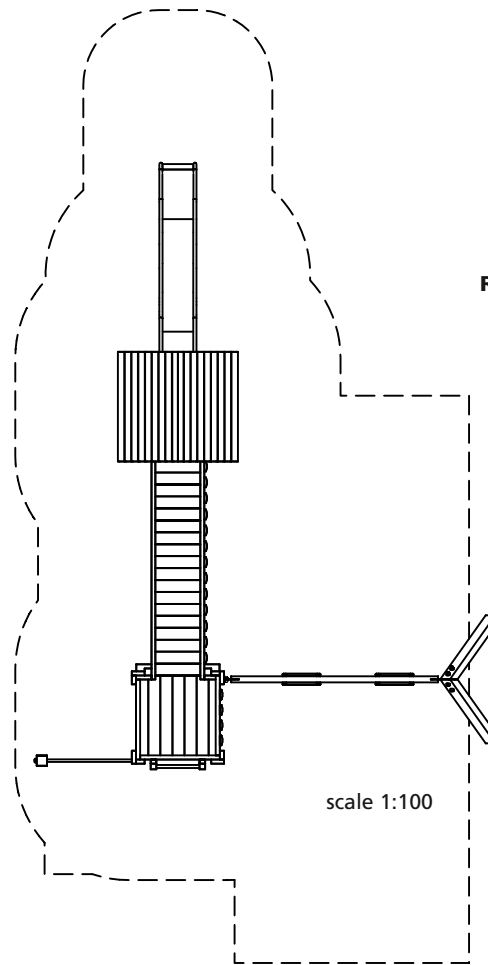
- 3.13100**
- 3.19802**
- 3.19210**



2.13710

Safety check according to EN 1176

Hut Combination 47
Order No. 2.14700



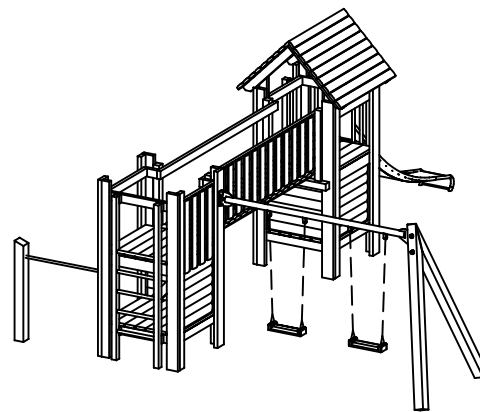
Required space incl. safety distances
 12.60 x 6.65 m

Components

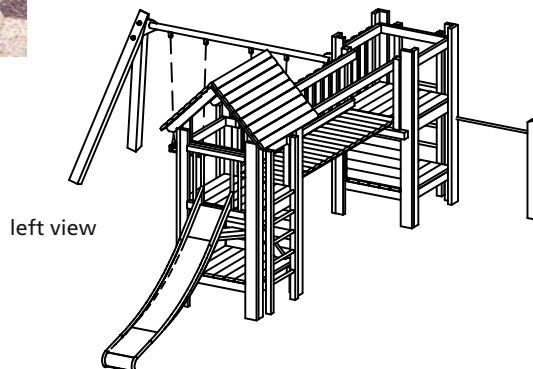
- 1 Platform Hut with 2 walls, 1 bench
- 1 Platform Hut with roof, 2 walls, 1 bench
- 1 Stainless Steel Slide with ground anchor attachment height 1.50 m
- 1 Bridge 3.00 m with wooden handrail
- 1 Balustrade 3.00 m
- 2 Fastening Frames
- 1 Horizontal Bar
- 1 Double Swing special

- Order No.**
- 3.13100**
- 3.13300**
- 3.19210**
- 3.66310**
- w/o No.**
- 3.66364**
- 3.69700**
- 3.19020**

scale 1:100



right view



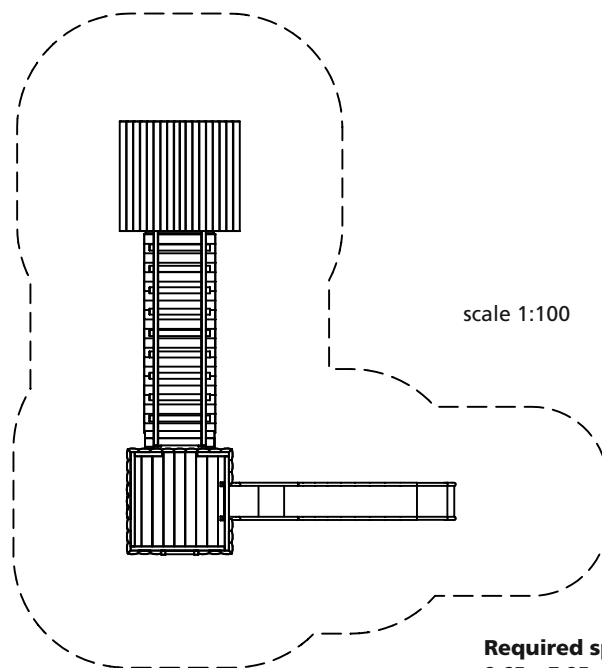
left view



2.14700

Safety check according to EN 1176

Tower Combination 18
Order No. 2.18000



Components

Order No.

- 1 Platform Hut with roof,
2 walls, 1 bench
- 1 Fastening Frame
for chain path
- 1 Chain Path 3.00 m
with safety board
- 1 Square Tower
- 1 Fastening Frame
for chain path
- 1 Stainless Steel Slide
with ground anchor
attachment height 1.50 m

3.13300

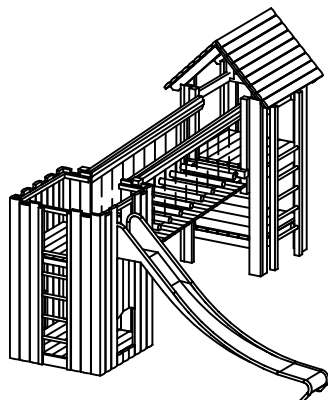
3.66290

3.66260

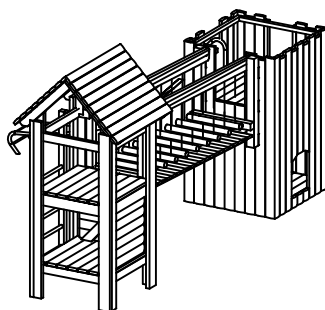
3.20500

3.66240

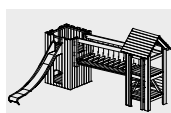
3.63020



right view



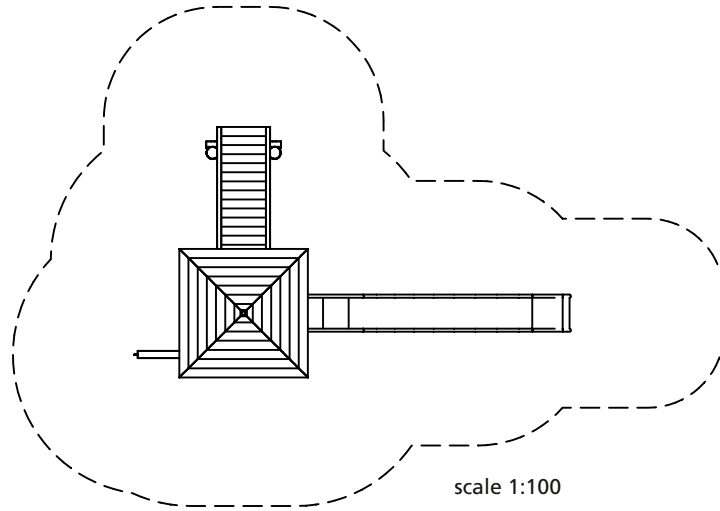
left view



2.18000

Safety check according to EN 1176

Tower Combination 30
Order No. 2.30000

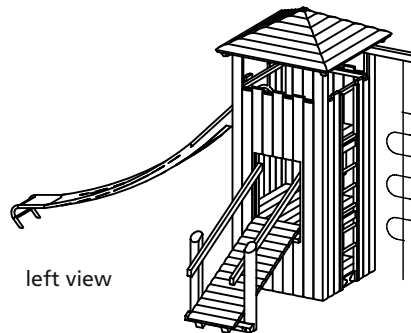
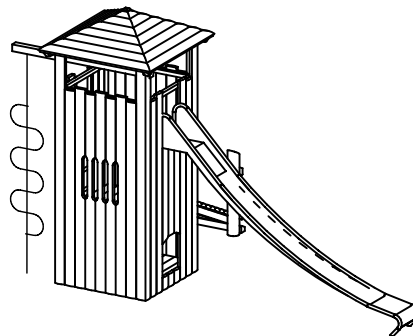


Components

Order No.

- | | |
|---|----------------|
| 1 Square Tower with roof | 3.20600 |
| 1 Climbing Ladder with beam | 3.69410 |
| 1 Fastening Frame for bridge | 3.66353 |
| 1 Bridge 2.00 m with wooden handrails | 3.66425 |
| 1 End Frame | 3.66410 |
| 1 Stainless Steel Slide with ground anchor attachment height 2.00 m | 3.63420 |

Required space incl. safety distance
 9.40 x 6.60 m



© Richter Spielgeräte GmbH 10/15

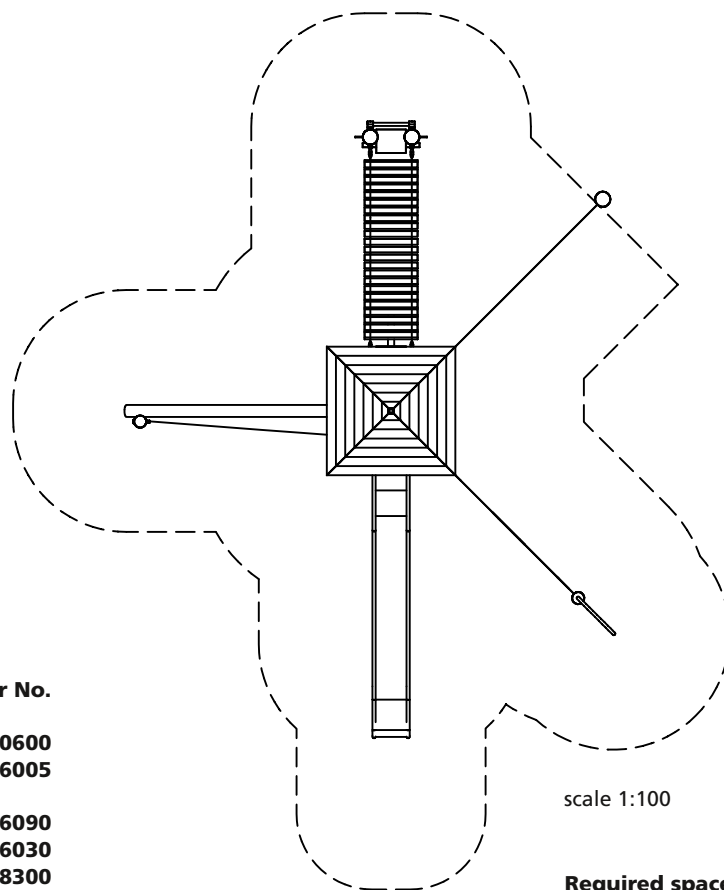
Design and Copyright

Safety check according to EN 1176



2.30000

Tower Combination 331
Order No. 2.33100



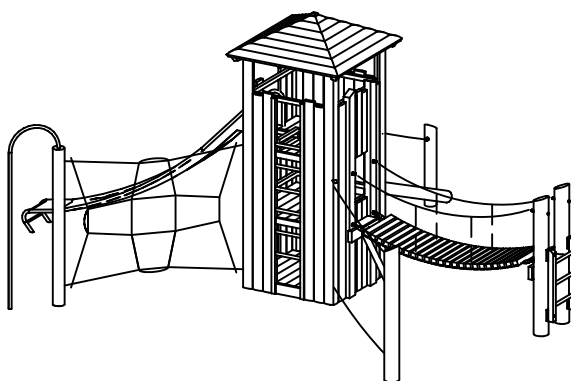
scale 1:100

Required space incl. safety distance
 11.60 x 9.50 m

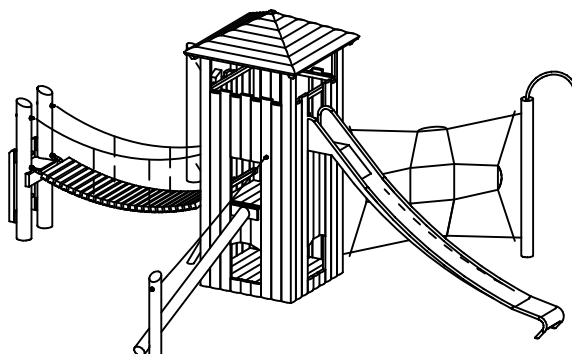
Components

Order No.

- | | |
|---|----------------|
| 1 Square Tower with roof | 3.20600 |
| 1 Support Frame for suspension bridge | 3.66005 |
| 1 Suspension Bridge 3.00 m | 3.66090 |
| 1 End Frame with ladder | 3.66030 |
| 1 Inclined Balancing Beam with chain handrail | 3.68300 |
| 1 Stainless Steel Slide with ground anchor attachment height 2.00 m | 3.63420 |
| 1 Vertical Climbing Net with bent firemen's pole | 3.69350 |
| 1 Balancing Rope with holding rope | 3.69010 |



right view



left view



2.33100

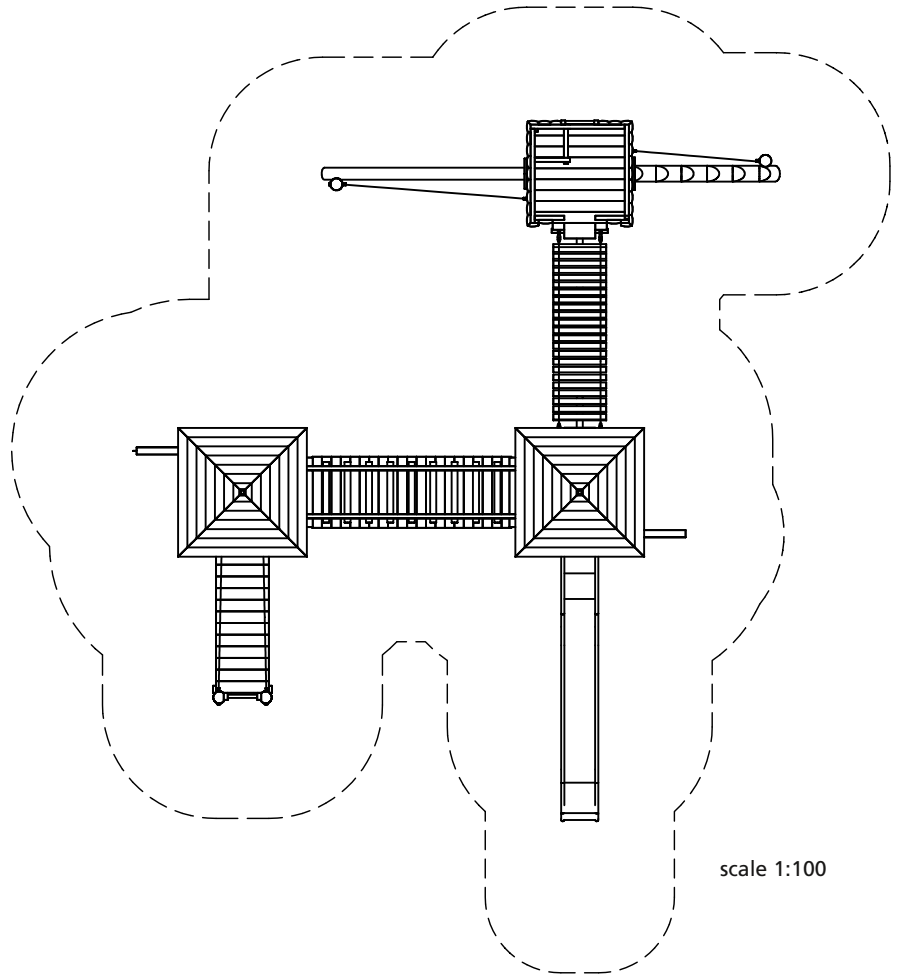
Safety check according to EN 1176

Tower Combination 54
Order No. 2.54000

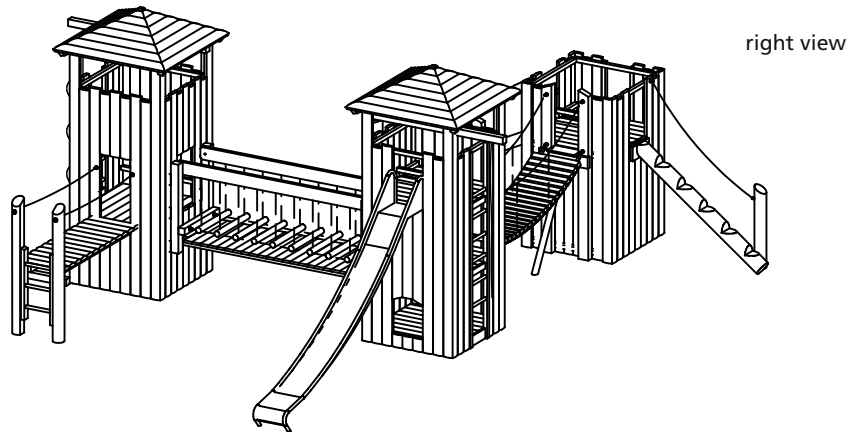
Required space incl. safety distance
 12.80 x 11.60 m

Components

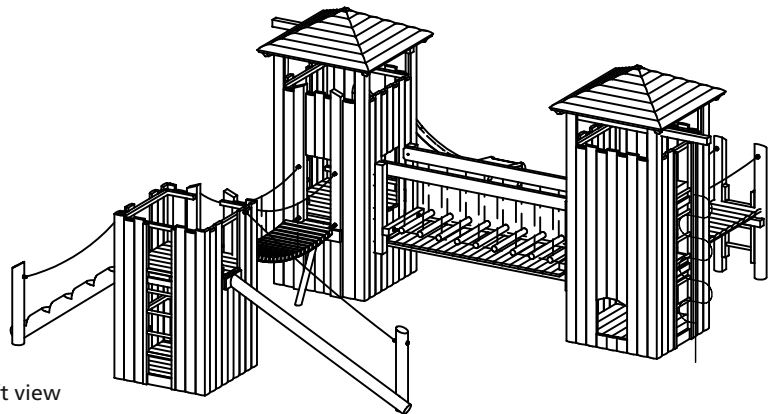
	Order No.
1 Square Tower	3.20500
1 Climbing Trunk with chain handrail	3.69510
1 Inclined Balancing Beam with chain handrail	3.68300
1 Support Frame for suspension bridge	3.66005
1 Support Frame for suspension bridge	3.66045
1 Suspension Bridge 3.00 m with chain handrails	3.66090
2 Square Towers with roof	3.20600
1 Climbing Ladder with beam	3.69410
1 Swing Rope with beam	3.69450
2 Fastening Frames for Chain Path	3.66240
1 Chain Path 3.00 m with safety board	3.66260
1 Support Frame for bridge	3.66350
1 Bridge 2.00 m with chain handrail	3.66420
1 End Frame with ladder	3.66387
1 Stainless Steel Slide with ground anchor attachment height 2.00 m	3.63420



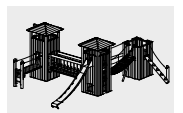
scale 1:100



right view



left view



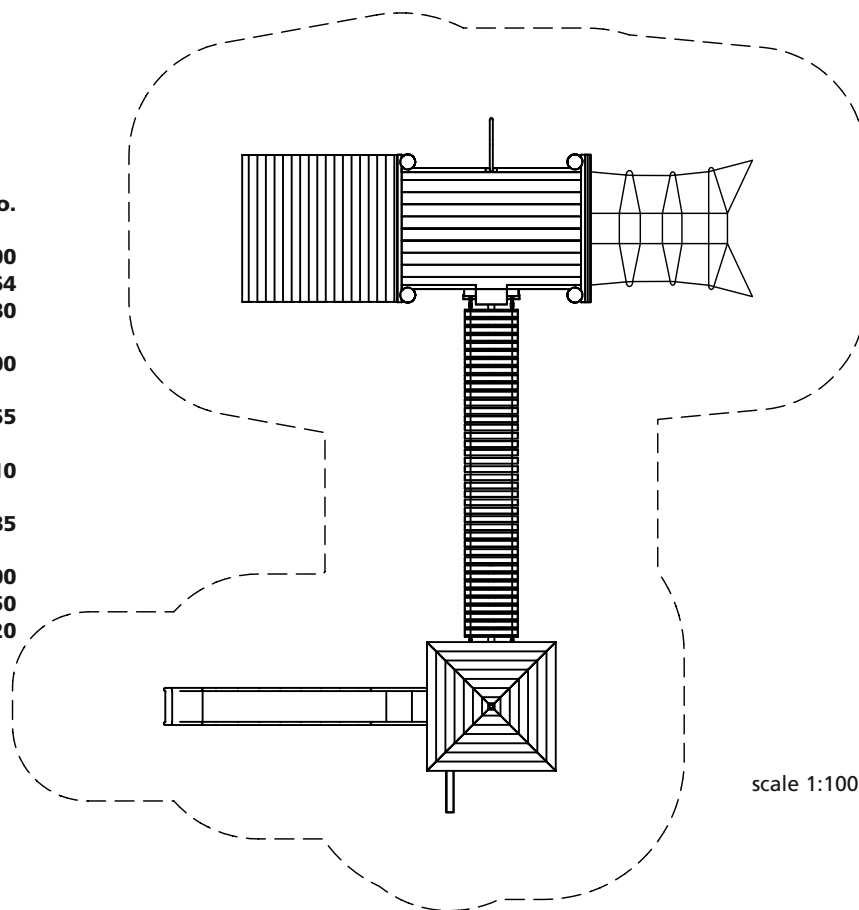
Tower Combination 60
Order No. 2.60000

Components

- 1 Platform height 2.00 m
- 1 Bent Firmer's Pole
- 1 Inclined Climbing Net attachment height 2.00 m
- 1 Inclined Wall attachment height 2.00 m
- 1 Support Frame for suspension bridge
- 1 Suspension Bridge 5.00 m with chain handrails
- 1 Support Frame for suspension bridge
- 1 Square Tower with roof
- 1 Swing Rope with beam
- 1 Stainless Steel Slide with ground anchor attachment height 2.00 m

Order No.

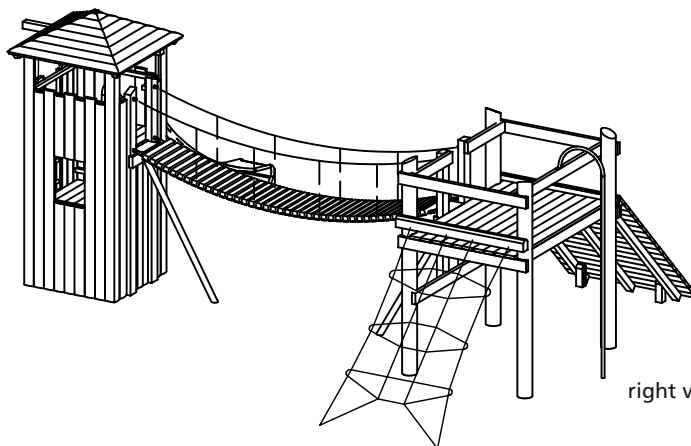
- 3.26500**
- 3.69464**
- 3.69180**
- 3.67500**
- 3.66065**
- 3.66110**
- 3.66085**
- 3.20600**
- 3.69450**
- 3.63420**



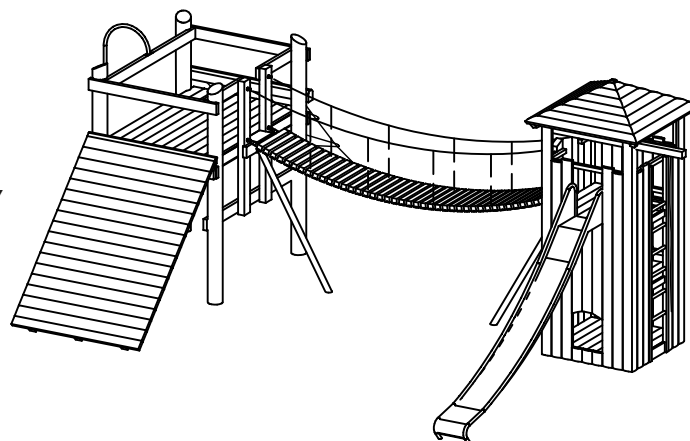
scale 1:100



Required space incl. safety distance
 12.25 x 11.85 m



right view



left view



2.60000

Safety check according to EN 1176



The following images display a selection of possible combinations of our equipment and attachment parts.

Also suitable for small children under 3 years of age.





Combination possibilities for Platform Huts without Roof





Roofed tower combinations





Possible attachment parts, ladders and crossings





Combination examples of various towers, huts and platforms with attachment equipment





Examples of large playground equipment combinations with Pyramid Towers

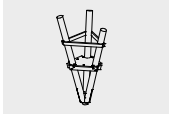


A Standard Combination Elements for Individual Play Installations

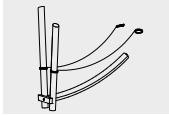
- 1 Huts
- 2 Towers
- 3 Platforms
- 4 Combinations · Examples
- 5 Triangular Platform**
- 6 Special Towers

A 5 Triangular Platform

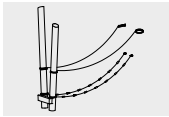
Order No.
Item page



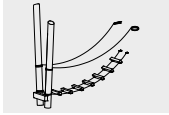
3.29700 97
Triangular Platform



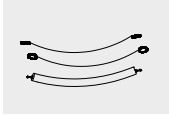
3.69803 99
End Frame with Ladder
of Coconut Rope



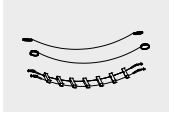
3.69813 100
End Frame with Ladder
with Climbing Holds



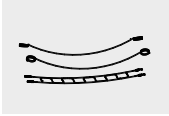
3.69823 101
End Frame with Ladder
with Walkway



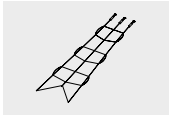
3.69805 99
Crossing
with Coconut Rope



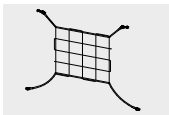
3.69825 101
Crossing
with Walkway



3.69833 100
Crossing
with Wobbly Bridge



3.69840 102
Inclined Climbing Net



3.69850 102
Vertical Climbing Net

Function and Play value

The Triangular Platform is an interesting combination element for play centres. Its unusual shape and the inclined support posts contribute to the outstanding appearance.

Fundamental characteristics

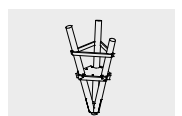
- sturdy wooden construction with natural posts

Suitable

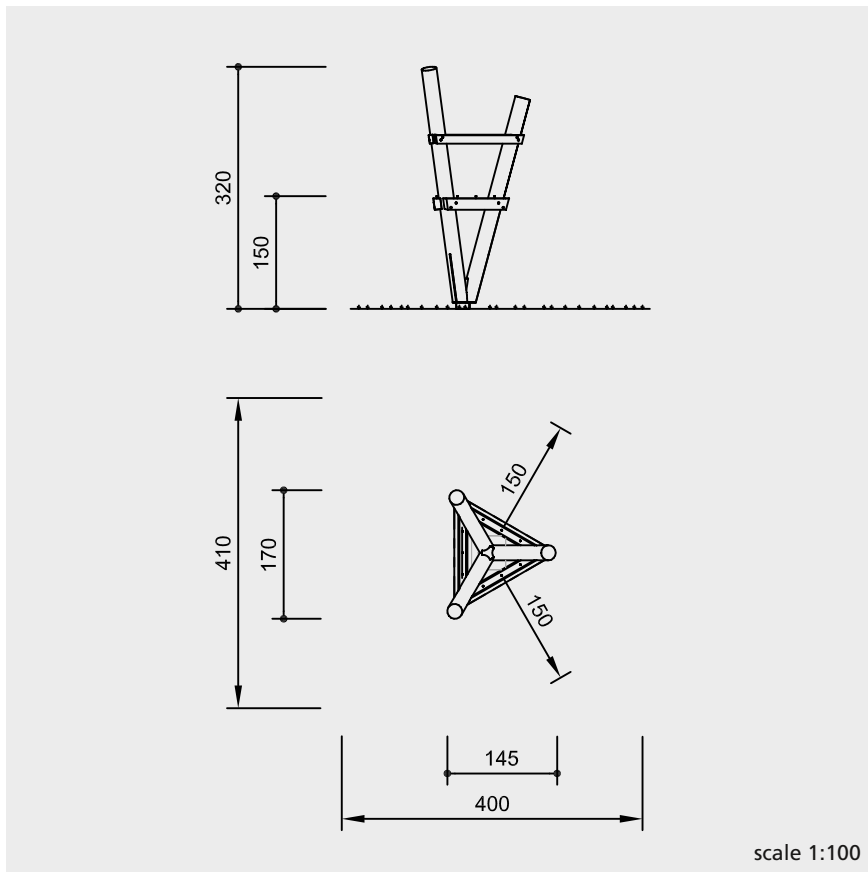
- for children from 5 years
- for public playgrounds
- leisure areas
- parks
- school playgrounds



Triangular Platform



3.29700



Safety check according to EN 1176

Components

1 wooden construction with steel foot

Installation information

Surfacing requirements corresponding to a fall height of ≤ 1.50 m (please refer to price list for more detailed information)

Foundations
1 item 120 x 120 x 60 cm
excavation depth 100 cm

Attention:
Exact measurements may vary, for all installation dimensions refer to current installation instructions.
Technical changes reserved.

Technical information

equipment of non-impregnated mountain larch

de-barked posts
de-barked posts, \varnothing 18 - 21 cm



core-free timber
sawn timbers core-free, by that formation of cracks can be reduced



plywood
three-layer waterproof plywood of larch, 30 mm



ground anchor
all parts used for anchoring to the ground made of hot-dip galvanised steel



Dimensions
(small deviations possible)

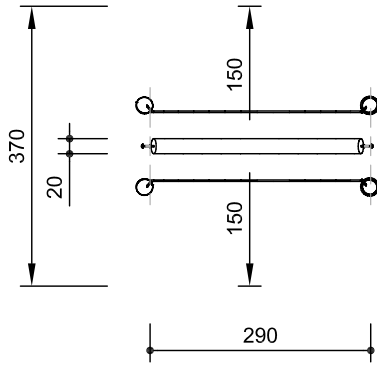
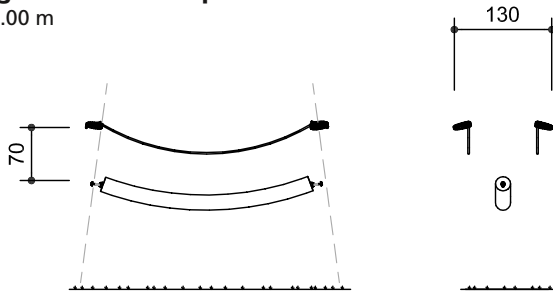
height	3.20 m
floor height	1.50 m
weight	250 kg

For more detailed explanation of the quality characteristics see price list.



3.29700

Order No. 3.69805
Crossing with Coconut Rope
 length 3.00 m



scale 1:100

Technical information

Order No. 3.69805

rope made of coconut fibre with 12 mm galvanised steel core

Corocord® rope special ropes of "Hercules type"
 handrails made of six-strand Corocord® rope of the special "Hercules type", abrasion-protected through heating of the six steel strands and melting the polyamide sleeve onto them, standard colour natural



Dimensions
 (small deviations possible)

length	2.90 m
diameter	0.20 m
weight	45 kg

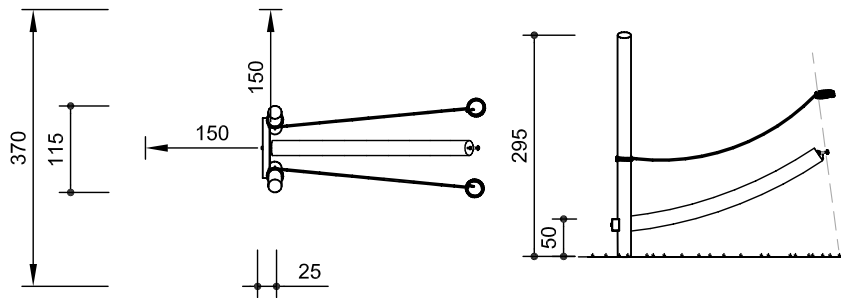
Order No. 3.69803

rope made of coconut fibre with 12 mm galvanised steel core

de-barked
 de-barked posts, Ø 15 - 18 cm, of non-impregnated mountain larch



Order No. 3.69803
End Frame with Ladder of Coconut Rope



safety check according to EN 1176

angle cut
 vertical stand posts with angle cut in the end grain section as constructive wood preservation



Corocord® rope special ropes of "Hercules type"
 handrails made of six-strand Corocord® rope of the special "Hercules type", abrasion-protected through heating of the six steel strands and melting the polyamide sleeve onto them, standard colour natural



ground anchor
 all parts used for anchoring to the ground made of hot-dip galvanised steel



Components

Order No. 3.69805
 1 coconut rope 3.00 m
 2 handrails
 1 distance batten

Order No. 3.69803
 1 end frame with steel feet
 1 coconut rope 3.00 m
 2 handrails
 1 distance batten

Installation information

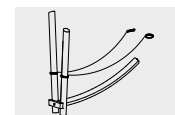
Surfacing requirements corresponding to a fall height of ≤ 1.50 m (please refer to price list for more detailed information)

Foundations
Order No. 3.69803
 1 item 100 x 100 x 60 cm
 excavation depth 80 cm

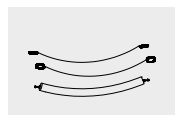
Attention:
Exact measurements may vary; for all installation dimensions refer to current installation instructions.
 Technical changes reserved.

Dimensions
 (small deviations possible)

height	2.95 m
length	0.25 m
width	1.15 m
weight	180 kg



3.69803



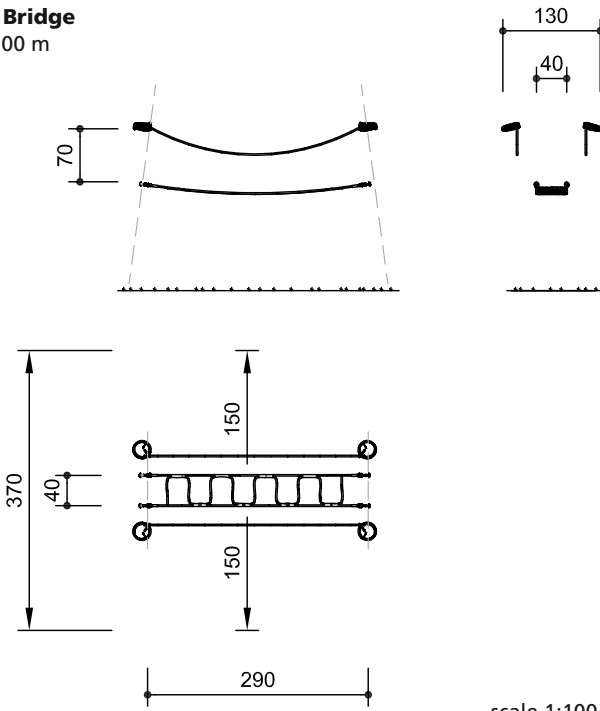
3.69805

Please refer to the price list for a more detailed explanation of the quality characteristics.

Order No. 3.69833

Wobbly Bridge

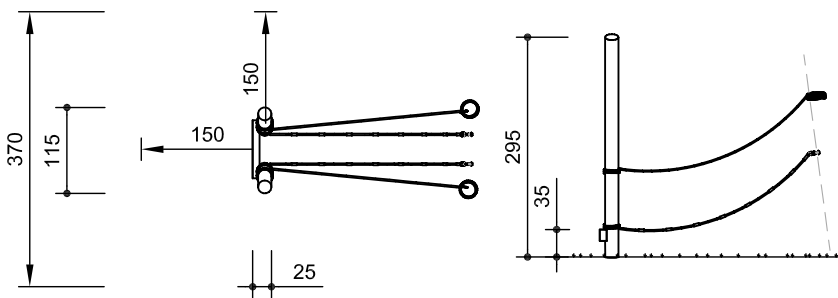
length 3.00 m



scale 1:100

Order No. 3.69813

End frame with Ladder and Climbing Holds



safety check according to EN 1176

Components

Order No. 3.69833

- 1 wobbly bridge 3.00 m
- 2 handrails
- 2 distance battens

Order No. 3.69813

- 1 end frame with steel feet
- 1 ladder with climbing holds 3.00 m
- 2 handrails

Installation information

Surfacing requirements corresponding to a fall height of ≤ 1.50 m (please refer to price list for more detailed information)

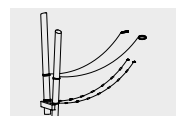
Foundations

Order No. 3.69813

- 1 item 100 x 100 x 60 cm
- excavation depth 80 cm

Attention:

Exact measurements may vary; for all installation dimensions refer to current installation instructions.
Technical changes reserved.



3.69813



3.69833

Technical information

Order No. 3.69833

Corocord® rope

special ropes of "Hercules type"
six-strand Corocord® rope of the special "Hercules type", abrasion-protected through heating of the six steel strands and melting the polyamide sleeve onto them, standard colour natural



aluminium swages

double-conical aluminium swages with rounded-off ends



S-clamps

neatly rounded Corocord® S-clamps made of stainless steel, Ø 8 mm



rope connection with joint

close fitting connection without dangerous openings; the bearing consists of one brass bush



Dimensions

(small deviations possible)

length	2.90 m
width	0.40 m
weight	12 kg

Order No. 3.69813

de-barked

de-barked posts, Ø 15 - 18 cm, of non-impregnated mountain larch



angle cut

vertical stand posts with angle cut in the end grain section as constructive wood preservation



Corocord® rope

special ropes of "Hercules type"
six-strand Corocord® rope of the special "Hercules type", abrasion-protected through heating of the six steel strands and melting the polyamide sleeve onto them, standard colour natural



aluminium swages

double-conical aluminium swages with rounded-off ends



rope connection with joint

close fitting connection without dangerous openings; the bearing consists of one brass bush



ground anchor

all parts used for anchoring to the ground made of hot-dip galvanised steel



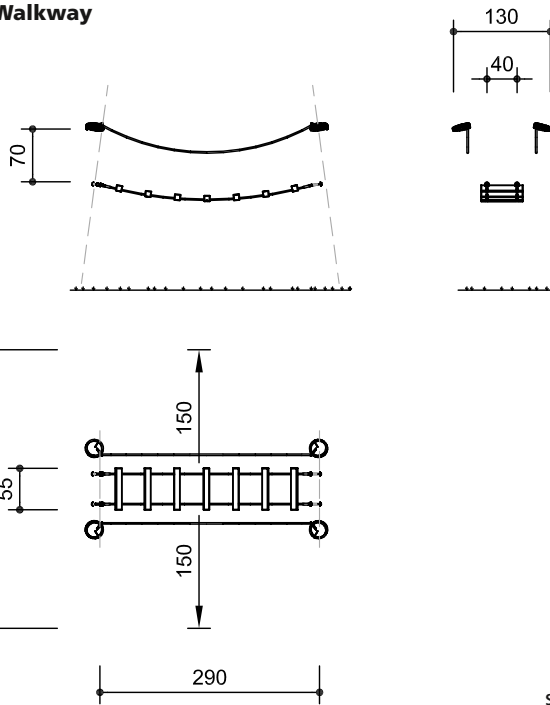
Dimensions

(small deviations possible)

height	2.95 m
length	0.25 m
width	1.15 m
weight	145 kg

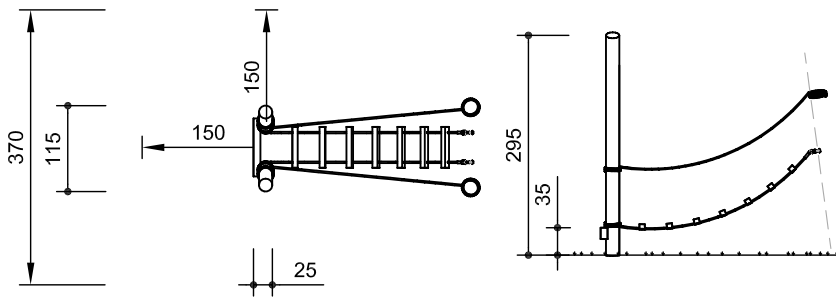
Please refer to the price list for a more detailed explanation of the quality characteristics.

Order No. 3.69825
Crossing with Walkway
 length 3.00 m



scale 1:100

Order No. 3.69823
End frame with Ladder with Walkway



safety check according to EN 1176

Components

- Order No. 3.69825**
 1 crossing with walkway 3.00 m
 2 handrails
 2 distance battens

- Order No. 3.69823**
 1 end frame with steel feet
 1 ladder with walkway 3.00 m
 2 handrails

Installation information

Surfacing requirements corresponding to a fall height of ≤ 1.50 m (please refer to price list for more detailed information)

Foundations
Order No. 3.69823
 1 item 100 x 100 x 60 cm
 excavation depth 80 cm

Attention:
Exact measurements may vary;
for all installation dimensions
refer to current installation
instructions.
 Technical changes reserved.

Technical information

Order No. 3.69825

core-free timber
 sawn timbers core-free, thus decreasing the occurrences of cracking, made of non-impregnated mountain larch



Corocord® rope special ropes of "Hercules type"
 handrails made of six-strand Corocord® rope of the special "Hercules type", abrasion-protected through heating of the six steel strands and melting the polyamide sleeve onto them, standard colour natural



aluminium swages
 double-conical aluminium swages with rounded-off ends



rope connection with joint
 close fitting connection without dangerous openings; the bearing consists of one brass bush



Dimensions
 (small deviations possible)

length	2.90 m
width	0.55 m
weight	15 kg

Order No. 3.69823

de-barked
 de-barked posts, $\varnothing 15 - 18$ cm, of non-impregnated mountain larch



angle cut
 vertical stand posts with angle cut in the end grain section as constructive wood preservation



Corocord® rope special ropes of "Hercules type"
 six-strand Corocord® rope of the special "Hercules type", abrasion-protected through heating of the six steel strands and melting the polyamide sleeve onto them, standard colour natural



aluminium swages
 double-conical aluminium swages with rounded-off ends



rope connection with joint
 close fitting connection without dangerous openings; the bearing consists of one brass bush

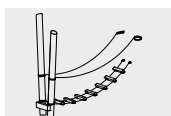


ground anchor
 all parts used for anchoring to the ground made of hot-dip galvanised steel

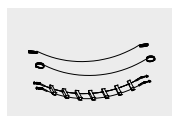


Dimensions
 (small deviations possible)

height	2.95 m
length	0.25 m
width	1.15 m
weight	150 kg

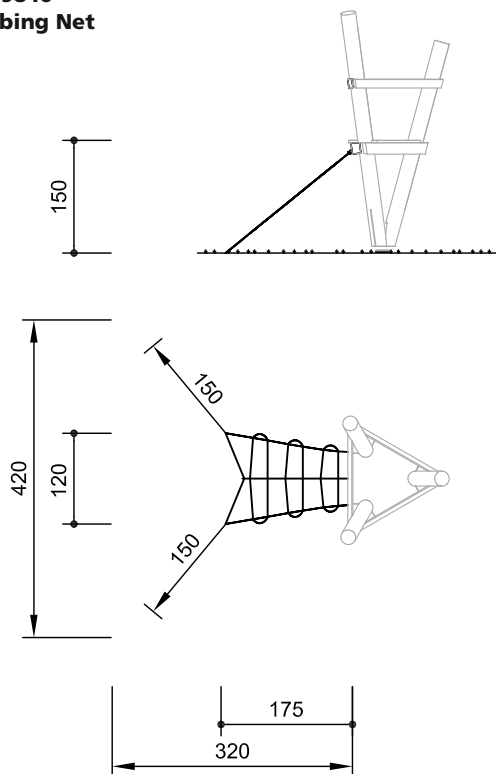


3.69823



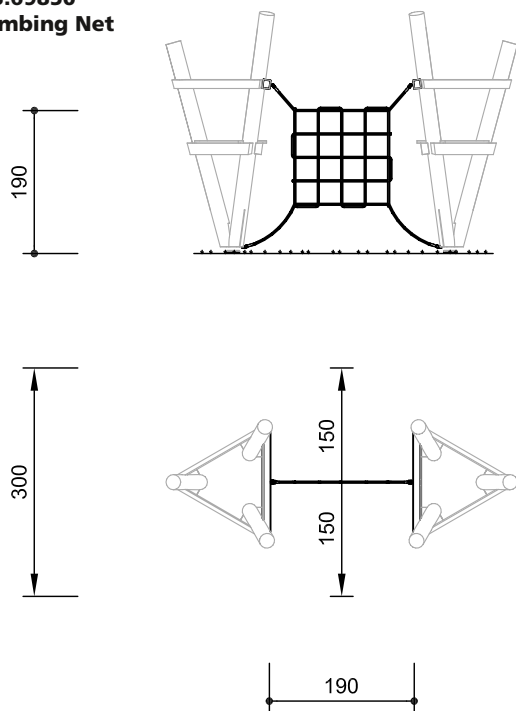
3.69825

Order No. 3.69840
Inclined Climbing Net



scale 1:100

Order No. 3.69850
Vertical Climbing Net



safety check according to EN 1176

Technical information

Corocord® rope
special ropes of "Hercules type"
six-strand Corocord® rope of the special „Hercules type“, abrasion-protected through heating of the six steel strands and melting the polyamide sleeve onto them, standard colour natural



aluminium swages
double-conical aluminium swages with rounded-off ends



S-clamps
neatly rounded Corocord® S-clamps made of stainless steel, Ø 8 mm



Dimensions
(small deviations possible)

Order No. 3.69840
length 1.75 m
width 1.20 m
installation height 1.50 m
weight 40 kg

Order No. 3.69850
height 1.90 m
length 1.90 m
weight 50 kg

Components

Order No. 3.69840
1 inclined climbing net, anchor irons with chains and tensioning devices

Order No. 3.69850
1 vertical climbing net
1 distance batten

Installation information

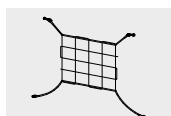
Surfacing requirements corresponding to a fall height of ≤ 1.50 m (please refer to price list for price)

Attention:
Exact measurements may vary, for all installation dimensions refer to current installation instructions.
Technical changes reserved.

Please refer to the price list for a more detailed explanation of the quality characteristics.



3.69840



3.69850

A Standard Combination Elements for Individual Play Installations

- 1 Huts
- 2 Towers
- 3 Platforms
- 4 Combinations · Examples
- 5 Triangular Platform
- 6 **Special Towers**

A 6 Special Towers

Order No.
Item page



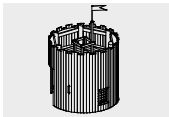
7.79000 103
Octagonal Tower



3.20900 105
Hexagonal Tower



3.21500 107
Look-out Tower



3.22000 109
Castle Tower



3.41000 111 - 114
Small Pyramid Tower



3.42000 111 - 114
Middle Pyramid Tower



3.43000 111 - 114
Big Pyramid Tower



3.52000 115
Middle Pentagonal Tower



3.53000 115
Big Pentagonal Tower

Play value

The complex Octagonal Tower with its attractive shape is particularly suited to identify a play area. It has a very special appeal and is often the centre-piece of a playground. Adventure games and role playing can develop around it and together with it. Combination equipment such as the standard Climbing Rope, the Net or the Slide increase the incentive for play. Children feel good in gaining height and in observing the world from above, from a completely different perspective. This makes them feel they are the „King of the Castle“.

Fundamental characteristics

- unique and original
- experiencing height
- agreeable design
- incentive for playing: height
- movement: climbing

Suitable

- for children from 6 years
- for public playgrounds
- leisure areas
- school playgrounds
- outdoor swimming pools

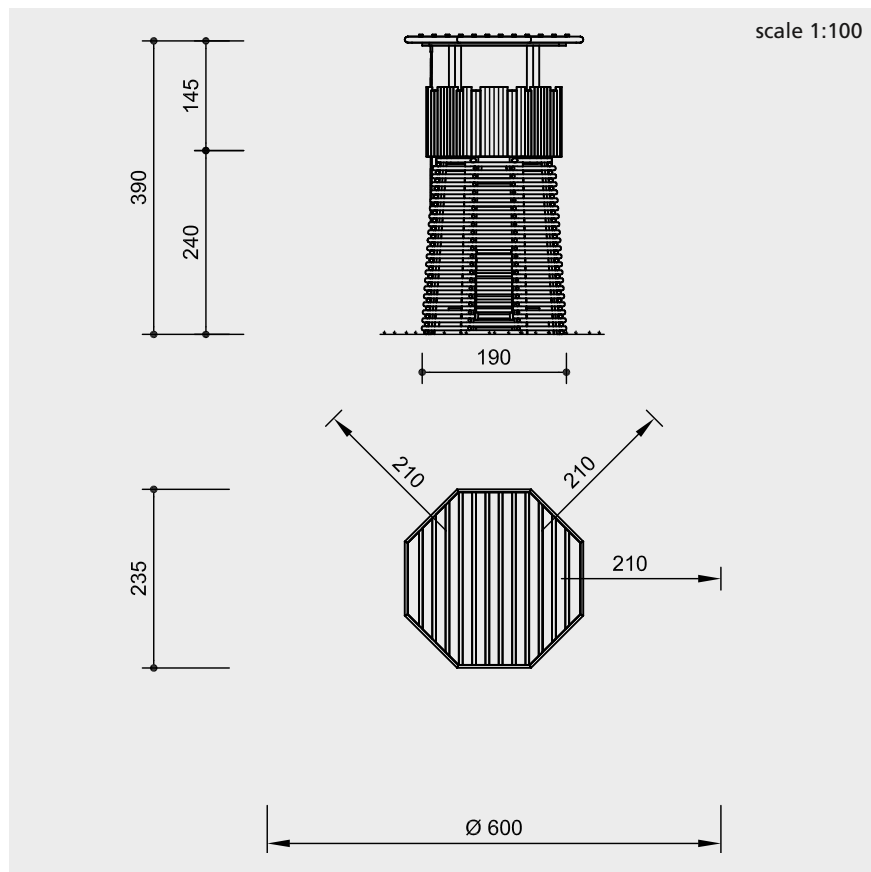


Slide see Order No. 3.63520

Octagonal Tower



7.79000



Safety check according to EN 1176

Components

- 1 tower with inside ladder ascent and entrance to the basket
- 1 basket top
- 1 roof with climbing rope
- 8 steel feet

Installation information

Surfacing requirements corresponding to a fall height of ≤ 3.00 m (please refer to price list for more detailed information)

Foundations

- Tower**
7 items 40 x 40 x 50 cm
excavation depth 70 cm
- Climbing Rope**
1 item 60 x 40 x 50 cm
excavation depth 70 cm

Attention:
Exact measurements may vary, for all installation dimensions refer to current installation instructions.
Technical changes reserved.

Technical information

equipment of non-impregnated mountain larch

core-free timber
sawn timbers core-free, by that formation of cracks can be reduced



hardwood rungs
climbing rungs of hardwood, milled and mortised, Ø 42 mm



Corocord® rope special ropes of "Hercules type"
Climbing Rope of six-strand Corocord® rope of the special "Hercules type", abrasion protected through heating of the six steel strands and melting the polyamide sleeve onto them, standard colour rainbow
end of rope anchored in the ground through a chain



aluminium swages
double-conical aluminium swages with rounded-off ends



rope connection fixed
close fitting connection without dangerous openings



ground anchor
all parts used for anchoring to the ground made of hot-dip galvanised steel



Dimensions
(small deviations possible)

height	3.90 m
platform height	2.40 m
ground surface	Ø 1.90 m
weight	1300 kg

For more detailed explanation of the quality characteristics see price list.



7.79000

Play value

The attractive shape of the complex Hexagonal Tower, including a lockable equipment room, is particularly suited as an identification element in a play area. It has a very special appeal and is often the centrepiece of a playground. Permanently installed intermediate floors create cosy rooms which are a stimulus to role-play. A bench in the bottom room is an inviting place to meet for a chat. Climbing up the ladder to the next highest room is also very exciting.



Fundamental characteristics

- lockable room with four big shelves
- easily accessible seating area in the bottom part
- two elevated play levels accessible via ladders
- unique hexagonal design
- particularly suitable for small outdoor spaces that call for a special space concept
- incentive for playing: role-play games, hide and seek
- exercise activity: climbing

Suitable

- for children from 3 years
- nurseries/kindergartens
- leisure areas
- playgrounds situated near houses

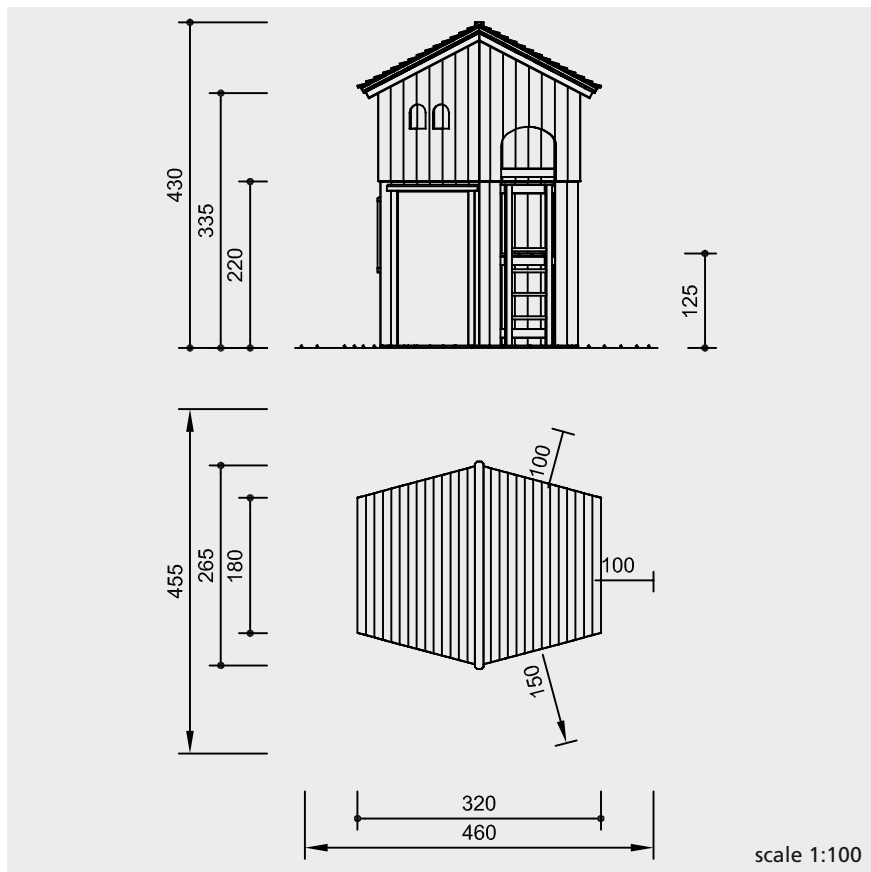
Hexagonal Tower
with lockable equipment room

Copyright © Richter Spielgeräte GmbH 10/15

Design P. Hohenauer



3.20900



Safety check according to EN 1176

Components

- 1 complete tower
incl. interior fittings
- 2 roof sections
- 6 steel feet

Installation information

Surfacing requirements
corresponding to a fall height of ≤ 1.50 m
(please refer to price list for more detailed
information)

Foundations
6 items 50 x 50 x 50 cm
excavation depth 70 cm

Attention:

**Exact measurements may vary, for
all installation dimensions refer to
current installation instructions.**

Technical changes reserved.

Technical information

equipment of non-impregnated
mountain larch

core-free timber

sawn timbers are core-free, by that
formation of cracks can be reduced



tongue and groove

platform floors made of 40 mm tongue
and groove boarding



hardwood rungs

climbing rungs of hardwood, milled
and mortised, $\varnothing 42$ mm



plywood

door and shelves of equipment room
made of waterproof plywood board,
30 mm



ground anchor

all parts used for anchoring to the
ground made of hot-dip galvanised
steel



two-layer roof structure, rainproof
thanks to underlay

window openings glazed with
8 mm safety glass

Dimensions

(small deviations possible)

height	4.30 m
floor heights	1.25 m/2.20 m
length	3.20 m
width	2.65 m
weight	1150 kg

For more detailed explanation of the
quality characteristics see price list.



3.20900

Play value

The tower is clad with timber facing made of natural larch, complete with observation slits. Inside are three floors, installed offset to one another. Those permanently installed intermediate floors create cosy rooms. The top floor can be reached via a ladder or you can climb up to the level of the balcony and enjoy the panorama. Use the ladder installed there to reach the ground again. The balcony can also be used as a connection to other play equipment e.g. with a suspension bridge. In combination with a slide, the Look-Out Tower is an attractive eye-catcher.

Fundamental characteristics

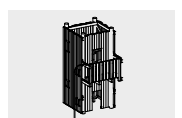
- unique and original
- harmonious design
- observation slits
- balcony

Suitable

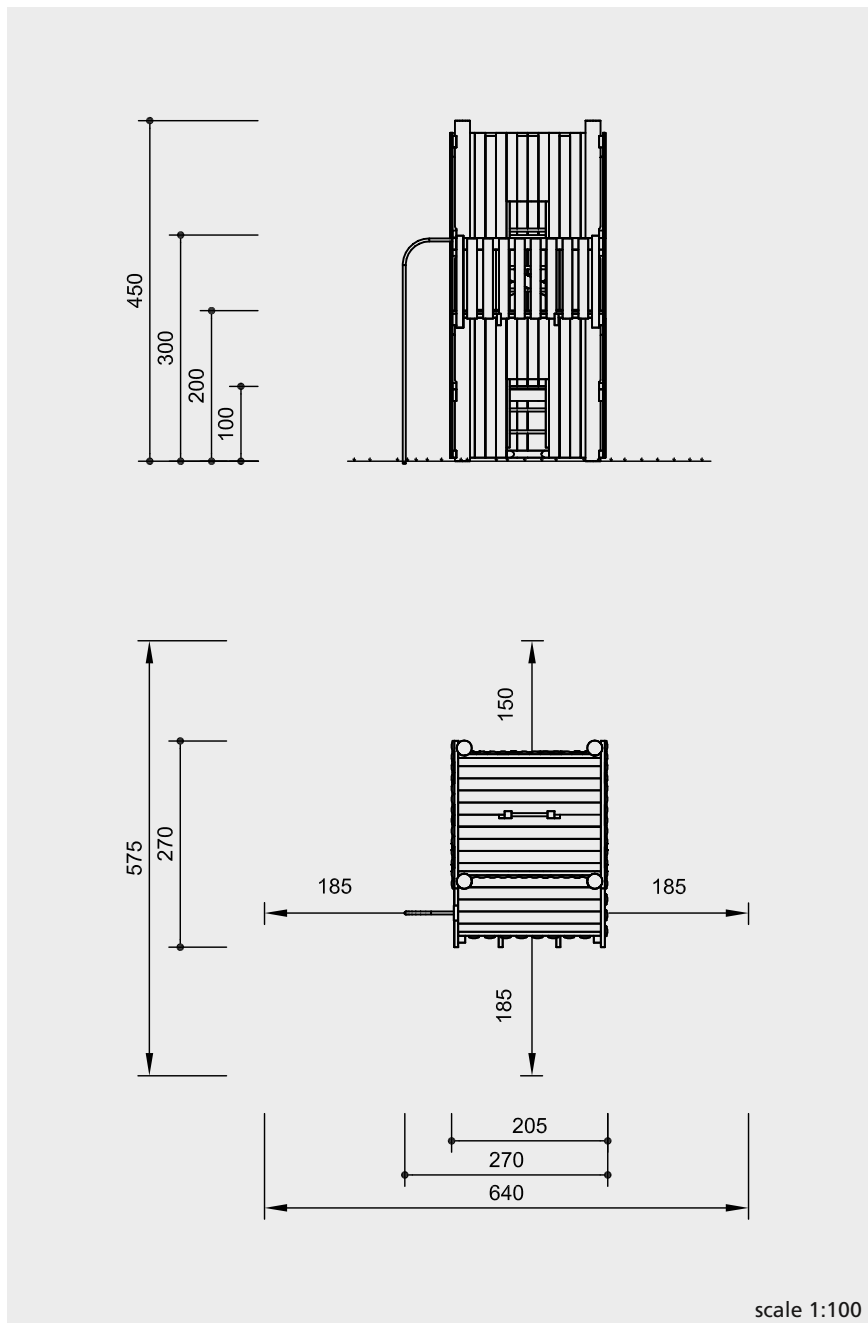
- for children from 5 years
- for public playgrounds
- leisure areas
- school playgrounds
- outdoor swimming pools



Look-Out Tower



3.21500



Safety check according to EN 1176

Components

- 4 side parts
- 1 balcony balustrade
- 3 floor halves
- 1 balcony floor
- 1 ladder
- 1 firemen's pole

Installation information

Surfacing requirements corresponding to a fall height of ≤ 2.00 m (please refer to price list for more detailed information)

Foundations
 4 items 60 x 60 x 60 cm excavation depth 80 cm
 1 item 30 x 30 x 30 cm excavation depth 60 cm

Attention:

Exact measurements may vary, for all installation dimensions refer to current installation instructions.

Technical changes reserved.



3.21500

Technical information

equipment of non-impregnated mountain larch

de-barked posts

de-barked posts, \varnothing 18 - 21 cm



angle cut

vertical stand posts with angle cut in the end grain section as constructive wood preservation



core-free timber

sawn timbers are core-free, by that formation of cracks can be reduced



claddings

thickness 4 - 5 cm, timbers de-barked by hand



tongue and groove

platform floors made of 40 mm tongue and groove boarding



hardwood rungs

climbing rungs of hardwood, milled and mortised, \varnothing 42 mm



ground anchor

all parts used for anchoring to the ground made of hot-dip galvanised steel



firemen's pole made of stainless steel, glass bead blasted

Dimensions

(small deviations possible)

height	4.50 m
floor heights	1.00/2.00/3.00 m
length	2.70 m
width	2.70 m
weight	1200 kg

For more detailed explanation of the quality characteristics see price list.

Play value

The Castle Tower looks just like an old fortified tower and is a meeting point for older children and young people. It is crowned with a battlement and can be combined with other equipment. It can be combined particularly well with slides but other combinations are also possible. A ladder leads up to a two-metre-high floor, topped with a castle flag. A round bench in the lower area is an inviting place to sit for a while. With its striking appearance, the Castle Tower has a signal effect and lends a special atmosphere to every playground.



This picture shows a special version without the battlement.

Fundamental characteristics

- unique and original striking appearance
- eye-catcher
- observation slits

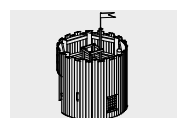
Suitable

- for children from 5 years
- for public playgrounds
- leisure areas
- school playgrounds
- outdoor swimming pools

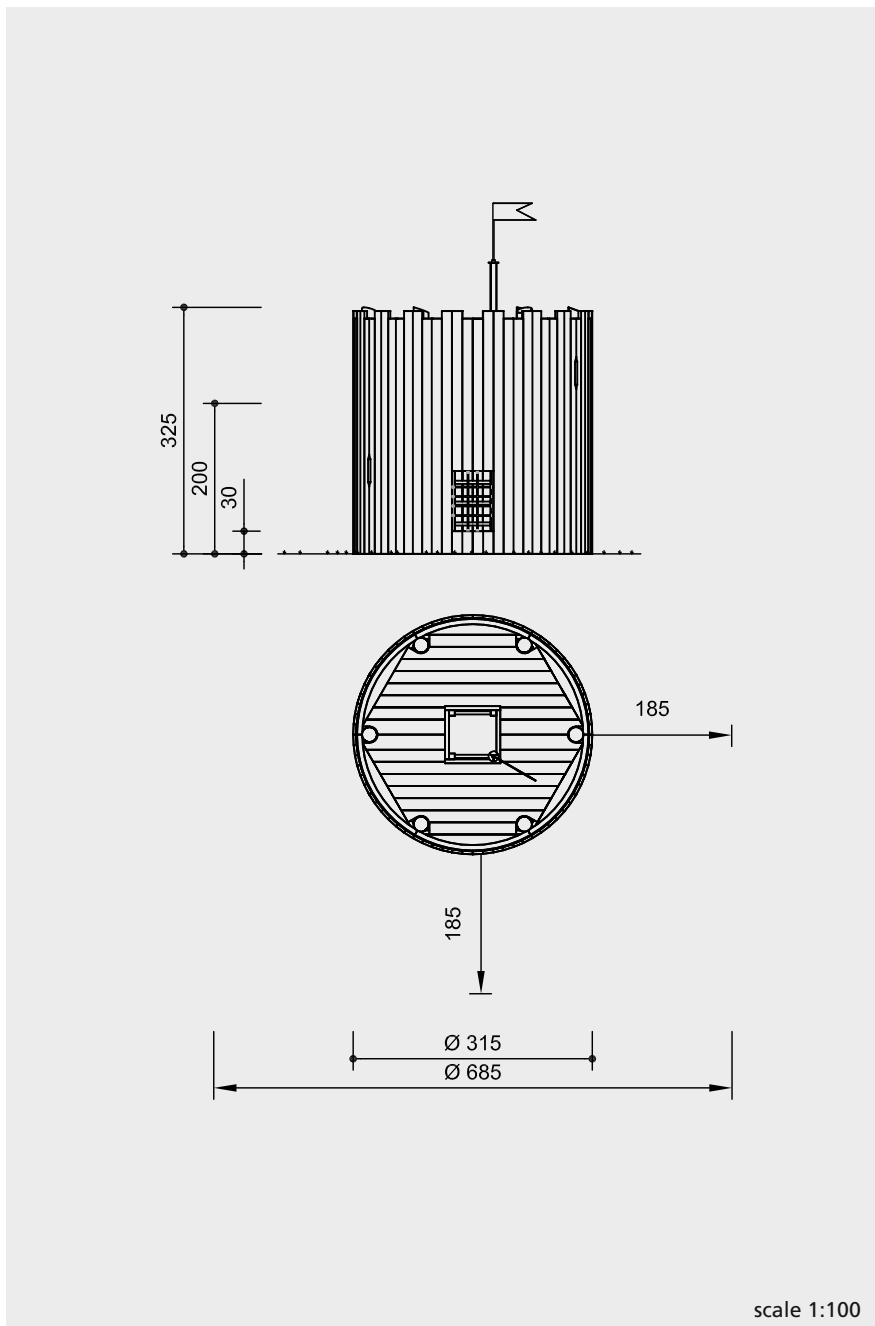
Castle Tower

© Richter Spielgeräte GmbH 10/15

Design and Copyright



3.22000



Technical information

equipment of non-impregnated mountain larch

de-barked posts
de-barked posts, Ø 18 - 21 cm



core-free timber
sawn timbers are core-free, by that formation of cracks can be reduced



tongue and groove
floor of 40 mm tongue and groove boarding



hardwood rungs
climbing rungs of hardwood, milled and mortised, Ø 42 mm



Corocord® rope
special ropes of "Hercules type"
rope windows of six-strand Corocord® rope of the special "Hercules type", abrasion-protected through heating of the six steel strands and melting the polyamide sleeve onto them, standard colour natural



ground anchor
all parts used for anchoring to the ground made of hot-dip galvanised steel



Dimensions
(small deviations possible)

height	3.25 m
floor height	2.00 m
diameter	3.15 m
weight	1500 kg

For more detailed explanation of the quality characteristics see price list.

Safety check according to EN 1176

Components

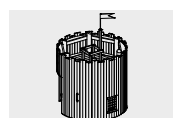
- 3 support frames
- 2 floor halves
- 1 ladder with flag
- 6 facade elements
- 2 rope windows

Installation information

Surfacing requirements corresponding to a fall height of ≤ 2.00 m (please refer to price list for more detailed information)

Foundations
6 items 60 x 60 x 60 cm excavation depth 80 cm
4 items 30 x 30 x 30 cm excavation depth 50 cm

Attention:
Exact measurements may vary, for all installation dimensions refer to current installation instructions.
Technical changes reserved.



3.22000

Play value

Because of its individual shape, the Pyramid Tower catches the eye and is therefore suited as a playground signal and lends the site an unmistakable character. The metal tip shines in the sunlight and the cladding is transparent, letting light pass through, despite its sturdiness. A colour design provides an interesting accentuation. If the towers are grouped, it is possible to create a spectacular slide system with connecting tunnels which will undoubtedly form a big attraction in leisure areas.



Fundamental characteristics

- unique and original
- high-quality design
- high aesthetic value
- incentive for playing: experiencing height, curiosity
- movement: climbing

Suitable

- for children from 5 years
- for public playgrounds
- leisure areas

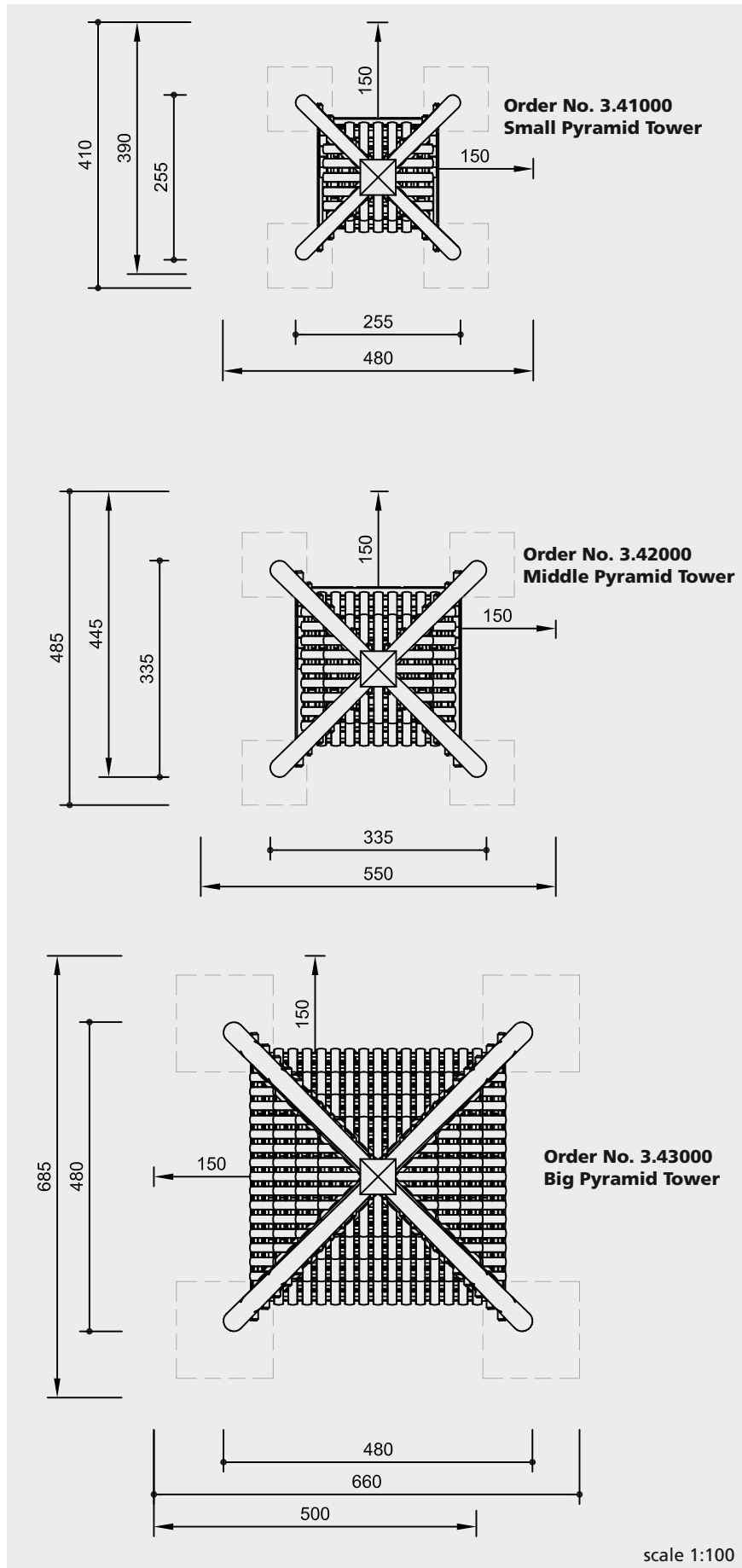
Small Pyramid Tower
Middle Pyramid Tower
Big Pyramid Tower

Copyright © Richter Spielgeräte GmbH 10/15

Design G. Beltzig



3.41000 - 3.43000



Safety check according to EN 1176



3.41000 - 3.43000

Technical information

de-barked posts

de-barked posts, Ø 22 - 30 cm, of spruce/fir, boiler pressure impregnated according to DIN 68800-3, use class 4



perforated

the earth/air zone of the wood is perforated by small bore holes to ensure that the impregnating agent penetrates this particularly endangered zone



core-free timber

sawn timbers of non-impregnated mountain larch



claddings

thickness 3 - 5 cm, de-barked by hand, of spruce/fir, boiler pressure impregnated according to DIN 68800-3, use class 4



tongue and groove

platform boards of 40 mm tongue and groove boarding



hardwood rungs

climbing rungs of hardwood, milled and mortised, Ø 42 mm



strong fastening

bolt connections with milled metal rings for connections which are stressed cross-wise



tip of stainless steel, glass bead blasted

Dimensions

(small deviations possible)

Order No. 3.41000

Small Pyramid Tower

height 7.00 m
 floor heights 1.00 - 3.00 m
 ground surface 2.50 x 2.50 m
 support posts Ø 22 - 26 cm
 weight 1500 kg

Order No. 3.42000

Middle Pyramid Tower

height 9.00 m
 floor heights 1.00 - 5.00 m
 ground surface 3.20 x 3.20 m
 support posts Ø 25 - 28 cm
 weight 3000 kg

Order No. 3.43000

Big Pyramid Tower

height 13.00 m
 floor heights 1.00 - 9.00 m
 ground surface 4.70 x 4.70 m
 support posts Ø 27 - 30 cm
 weight 4500 kg

For more detailed explanation of the quality characteristics see price list.

Components

Order No. 3.41000

Small Pyramid Tower

- 4 posts
- 3 floors, one-piece construction
- 4 panels
- 1 ladder
- 1 tip

Order No. 3.42000

Middle Pyramid Tower

- as before, but with 5 floors, one-piece construction
- 8 panels

Order No. 3.43000

Big Pyramid Tower

- as before, but with 8 floors, one-piece construction
- 1 floor, two-piece construction with post
- 16 panels
- 2 ladders



This picture shows a special version. Colour design on site.

**Small Pyramid Tower
Middle Pyramid Tower
Big Pyramid Tower**





Order No. L3.41000 Small Pyramid Tower made of larch

Installation information

Surfacing requirements corresponding to a fall height of ≤ 1.00 m (please refer to price list for more detailed information)

Foundations

Order No. 3.41000

4 items 100 x 100 x 80 cm excavation depth 100 cm

Order No. 3.42000

4 items 100 x 100 x 80 cm excavation depth 120 cm

Order No. 3.43000

4 items 150 x 150 x 80 cm excavation depth 120 cm

1 item 30 x 90 x 50 cm excavation depth 70 cm

1 item 40 x 40 x 50 cm excavation depth 70 cm

Attention:

Exact measurements may vary, for all installation dimensions refer to current installation instructions.

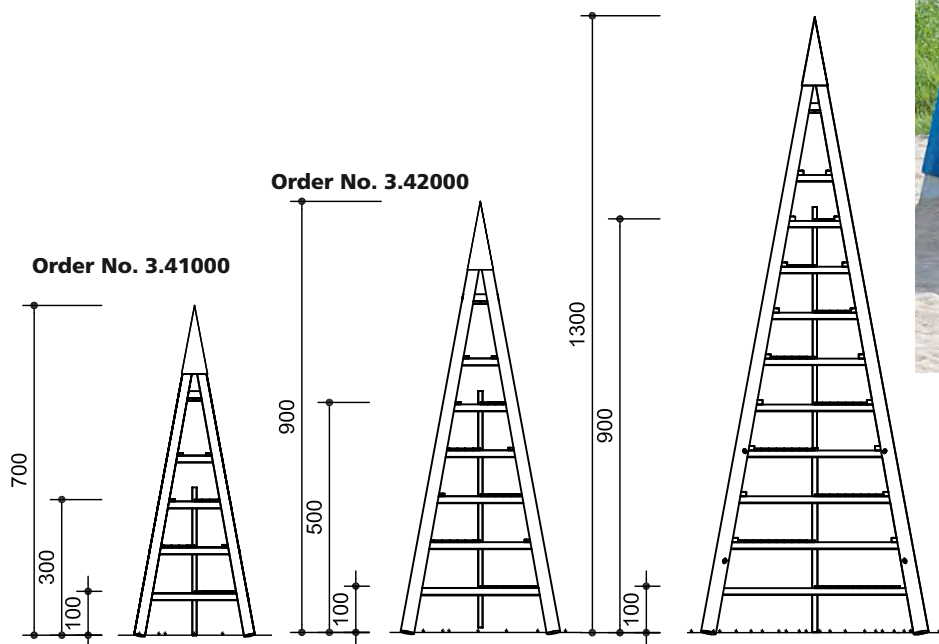
Technical changes reserved.

Equipment also available with steel feet or made of larch with steel feet.



This picture shows a special version.

Order No. 3.43000



Play value

Because of their striking shape, the Pentagonal Towers are real eye-catchers and are therefore well suited as a playground signal. They lend the site a very special, unmistakable character. The gaps in the cladding allow light to pass through and give children the opportunity to reach and experience heights. The installation of slides, e.g. as a tunnel slide increases the exercise activity. Several towers can be combined using connection tunnels to create a small village.

Fundamental characteristics

- reach and experience heights
- walls with gaps can be combined with open slides and tunnel slides, connection tunnel, telescopes, kaleidoscope, prisms

Suitable

- for children from 5 years
- for public playgrounds, leisure parks



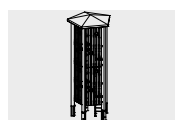
This picture shows a special version of the Middle Pentagonal Tower, closed to a height of 2.40 m.

Middle Pentagonal Tower
total height 6.70 m

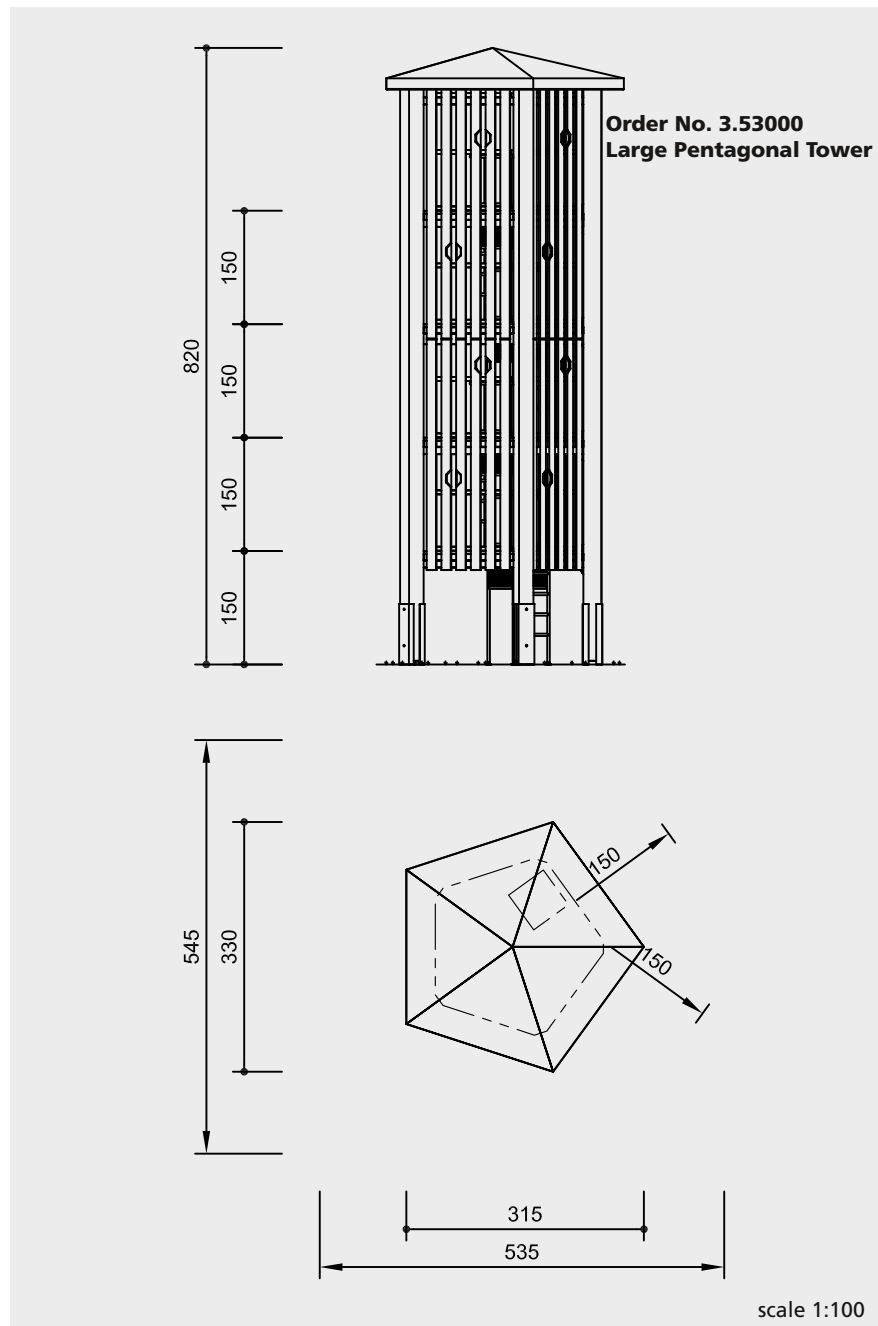
Large Pentagonal Tower
total height 8.20 m



3.52000



3.53000



Safety check according to EN 1176

Components

- Order No. 3.52000
Middle Pentagonal Tower**
- 5 laminated beams with steel feet
 - 3 floors
 - 3 ladders
 - 5 wall elements
 - 5 roof elements

- Order No. 3.53000
Large Pentagonal Tower**
- 5 laminated beams with steel feet
 - 4 floors
 - 4 ladders
 - 10 wall elements
 - 5 roof elements

Installation information

Surfacing requirements corresponding to a fall height of ≤ 1.50 m or depending on combination equipment (please refer to price list for more detailed information)

Foundations
1 item Ø 360 cm x 90 cm
excavation depth 110 cm

Attention:
Exact measurements may vary, for all installation dimensions refer to current installation instructions.
Technical changes reserved.



3.52000



3.53000

Technical information

equipment made of non-impregnated mountain larch

core-free timber
sawn timbers are core-free, by that formation of cracks can be reduced



claddings
thickness 4 to 5 cm, timbers de-barked by hand



tongue and groove
platform floors made of 40 mm tongue and groove boarding



laminated
laminated beams of the stand posts glued according to DIN 1052



ground anchor
all parts used for anchoring to the ground made of hot-dip galvanised steel



roof, floor frame and ladders on the inside made of stainless steel, glass bead blasted

acrylic glass in window openings

Dimensions
(small deviations possible)

**Order No. 3.52000
Middle Pentagonal Tower**

height	6.70 m
floor heights	1.50/3.00/4.50 m
floor space	Ø 2.05 m
footprint	Ø 3.50 m
	incl. roof
length	3.15 m
width	3.30 m
weight	3500 kg

**Order No. 3.53000
Large Pentagonal Tower**

height	8.20 m
floor heights	1.50/3.00/4.50/6.00 m
floor space	Ø 2.05 m
footprint	Ø 3.50 m
	incl. roof
length	3.15 m
width	3.30 m
weight	4000 kg

For more detailed explanation of the quality characteristics see price list.

B Big Playthings for the Very Young

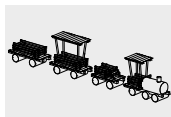
- 1 Vehicles**
- 2 Play houses and small platforms**
- 3 Animals and animal-shaped platforms**

Younger children don't just need a sand box on playgrounds but also big play elements with which they can practise simple exercises. With them, children can make their first walking and climbing attempts, holding on to the grip-friendly wood shapes and sitting on a raised place. The child-sized dimensions and simple design are reassuringly familiar, making our little vehicles attractive to small children. The wood in its natural form conveys a feeling of warmth and safety.

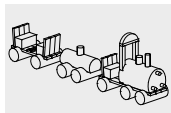
B

B 1 Vehicles

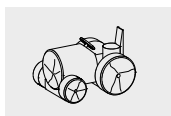
Order No.
Item page



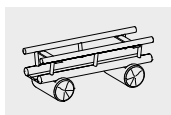
4.24100 117
Big Railway



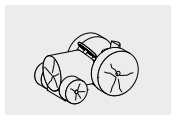
4.24120 119
RIKO Railway



4.24000 121
Tractor



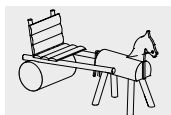
4.24010 121
Trailer



4.24005 123
Small Tractor



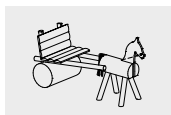
4.24130 125
Horse



4.24140 125
„Peter“ Horse-Cart



4.24135 127
Pony



4.24145 127
Pony and Trap

Play value

The Railway with locomotive, rail tender and wagons has a friendly look and gives small children the necessary stimulus for active play. It is an aide to the induction of simple exercises.



© Richter Spielgeräte GmbH 10/15

Design and Copyright

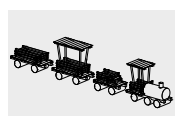
Fundamental characteristics

- child proportions according to ergonomic requirements
- appealing design
- natural wooden surface which appeals to the senses
- incentive for playing: handles in the cabin, wagons
- movement: holding on, climbing, sitting
- experiences: wood in its natural form with year rings, cracks etc.

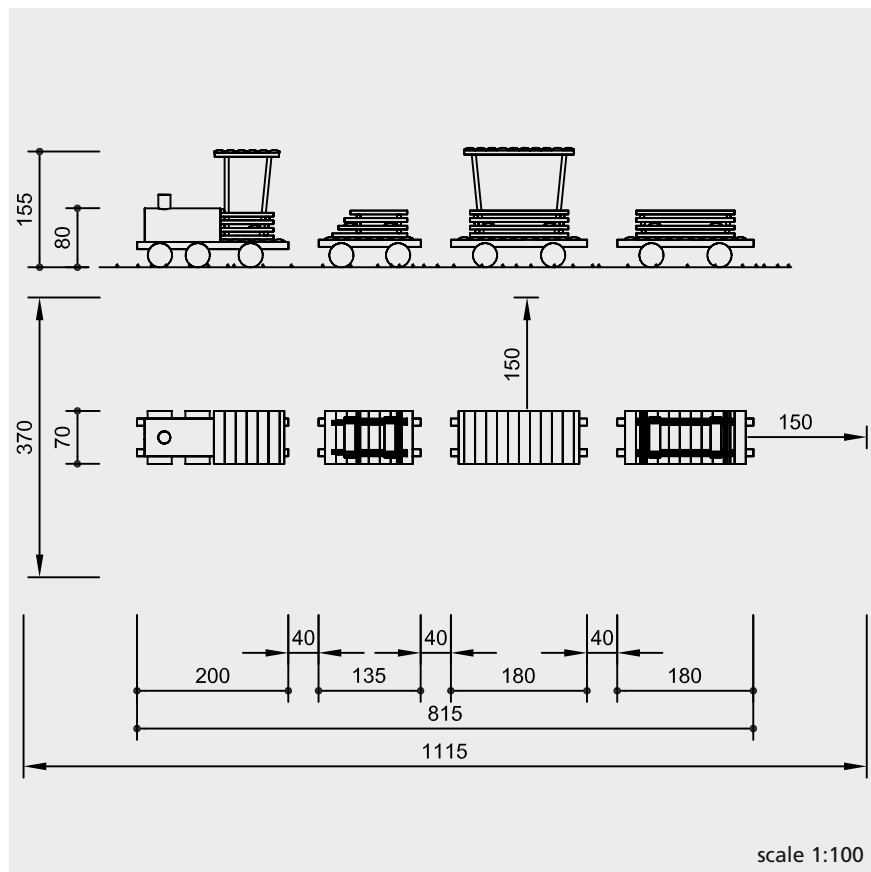
Big Railway

Suitable

- for older than, but also suitable for children under 3 years
- for public playgrounds
- nurseries
- children's homes
- therapy institutions for children
- camp sites



4.24100



Safety check according to EN 1176

Components

- 1 locomotive
- 1 rail tender
- 1 wagon with roof
- 1 wagon without roof
- with 2 foundation irons each

Installation information

Surfacing requirements corresponding to a fall height of ≤ 1.00 m (please refer to price list for more detailed information)

Foundations (only necessary to immobilise the equipment)
8 items 30 x 30 x 30 cm
excavation depth 50 cm

Attention:
Exact measurements may vary, for all installation dimensions refer to current installation instructions.
Technical changes reserved.

Technical information

equipment of non-impregnated mountain larch

de-barked
solid wooden elements de-barked by hand



core-free
sawn timbers core-free, by that formation of cracks can be reduced



claddings
thickness 4 - 5 cm, de-barked by hand



ground anchor
all parts used for anchoring to the ground made of hot-dip galvanised steel



relief cut
parts which are not core-free have a kerf sawn at a suitable section of the trunk to pre-empt cracks that would form naturally or a bore hole as relief



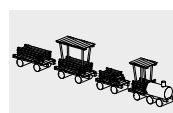
bell made of brass

Dimensions

(small deviations possible)

max. height	1.55 m
length	1.35 m - 2.00 m
width	0.70 m
weight	820 kg

For more detailed explanation of the quality characteristics see price list.



4.24100



Play value

The child's sense of proportion is reflected in the attractive shape of the RIKO Railway. The height-differentiated parts are good for holding onto and climbing on; driving with the train is great fun.



© Richter Spielgeräte GmbH 10/15

Design and Copyright

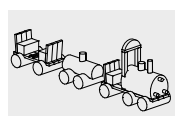
Fundamental characteristics

- child-oriented dimensions
- emotionally appealing design
- natural wooden surface which appeals to the senses
- incentive for playing: bell, trailer
- movement: climbing, holding on
- experience: wood in its natural form with year rings, branches, cracks etc.

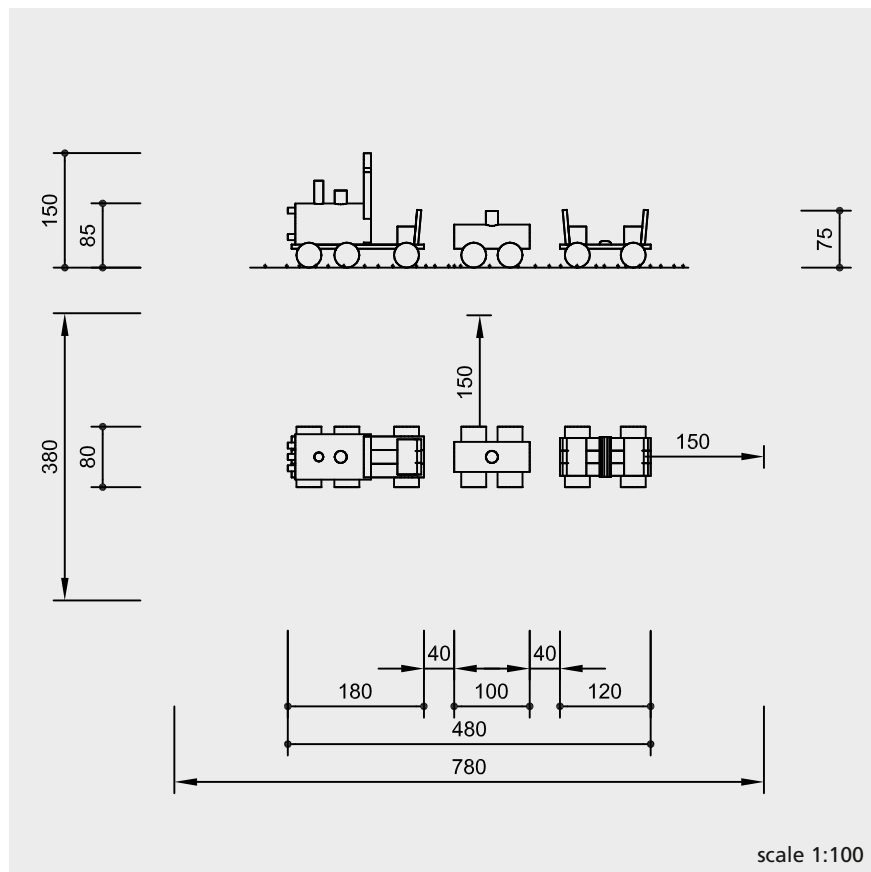
Suitable

- for small children's areas of:
 - public playgrounds
 - playgrounds situated near houses
 - kindergartens
 - children's homes
 - therapy institutions for children
 - camp sites
- nurseries

RIKO Railway



4.24120



Safety check according to EN 1176

Components

- 1 locomotive
- 1 rail tender
- 1 wagon
- with 2 foundation irons each

Installation information

Surfacing requirements corresponding to a fall height of ≤ 1.00 m (please refer to price list for more detailed information)

Foundations (only necessary to immobilise the equipment)
 6 items 30 x 30 x 30 cm
 excavation depth 50 cm

Attention:
Exact measurements may vary, for all installation dimensions refer to current installation instructions.
 Technical changes reserved.

Technical information

equipment of non-impregnated mountain larch

de-barked
 solid wooden parts are de-barked by hand



core-free
 sawn timbers core-free, by that formation of cracks can be reduced



ground anchor
 all parts used for anchoring to the ground made of hot-dip galvanised steel



relief cut
 parts which are not core-free have a kerf sawn at a suitable section of the trunk to pre-empt cracks that would form naturally or a bore hole as relief

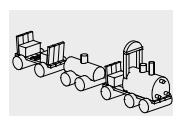


bell made of brass

Dimensions
 (small deviations possible)

max. height	1.50 m
lengths	1.00 m - 1.80 m
width	0.80 m
weight	650 kg

For more detailed explanation of the quality characteristics see price list.



4.24120



Play value

The wooden Tractor with Trailer is very attractive to young children because of its friendly material. It enables children to practice simple movements and role-play.



© Richter Spielgeräte GmbH 10/15

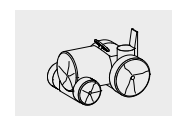
Fundamental characteristics

- child proportions according to ergonomic requirements
- appealing design
- natural wooden surface which appeals to the senses
- incentive for playing: rotating steering wheel, seat, trailer
- movement: climbing up, holding on
- experiences: wood in its natural form with year rings, cracks etc.

**Tractor
Trailer for Tractor**

Suitable

- for older than, but also suitable for children under 3 years
- for public playgrounds
nurseries
playgrounds situated near houses
children's homes
therapy institutions for children
camp sites

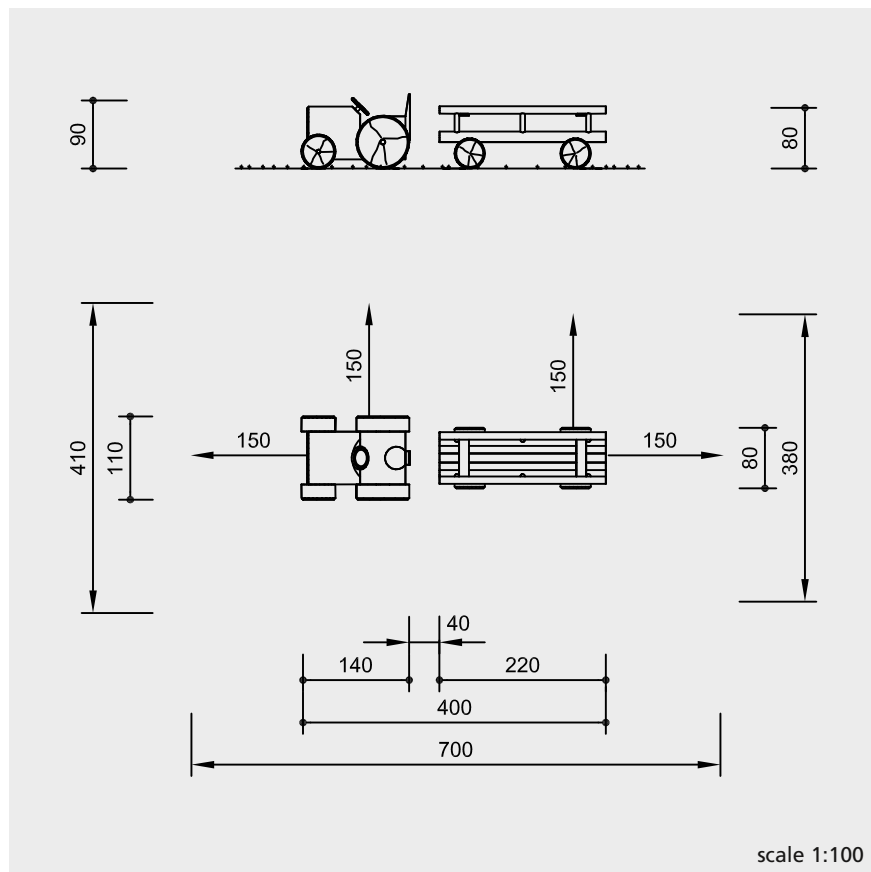


4.24000



4.24010

Design and Copyright



Safety check according to EN 1176

Components

Order No. 4.24000

- 1 Tractor
- 2 foundation irons

Order No. 4.24010

- 1 Trailer
- 2 foundation irons

Installation information

Surfacing requirements corresponding to a fall height ≤ 1.00 m (please refer to price list for more detailed information)

Foundations (only necessary to immobilise the equipment)
 2 items each 30 x 30 x 30 cm
 excavation depth 50 cm

Attention:
Exact measurements may vary, for all installation dimensions refer to current installation instructions.
 Technical changes reserved.

Technical information

equipment of non-impregnated mountain larch

de-barked
 tractor and wheels de-barked by hand



core-free
 round poles core-free and milled, by that formation of cracks can be reduced



claddings
 thickness 4 - 5 cm, de-barked by hand



ground anchor
 all parts used for anchoring to the ground made of hot-dip galvanised steel



relief cut
 parts which are not core-free have a kerf sawn at a suitable section of the trunk to pre-empt cracks that would form naturally or a bore hole as relief

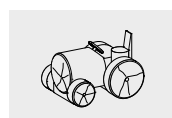


Dimensions

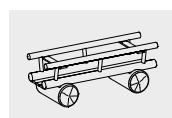
(small deviations possible)

Order No.	4.24000	4.24010
height	0.90 m	0.80 m
length	1.40 m	2.20 m
width	1.10 m	0.80 m
weight	350 kg	190 kg

For more detailed explanation of the quality characteristics see price list.



4.24000



4.24010



Play value

The Small Tractor is a smaller version of our Tractor. Its appealing appearance makes it very attractive to small children. It is very suitable for simple exercise movements and role-play games.



© Richter Spielgeräte GmbH 10/15

Design and Copyright

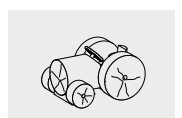
Fundamental characteristics

- child-oriented dimensions
- an emotionally appealing design due to the chunky shape
- natural wooden surface which appeals to the senses
- incentive for playing: rotating steering wheel, seat
- movement: climbing up, touch it all the way along
- experience: wood in its natural form with year rings, branches, cracks etc.

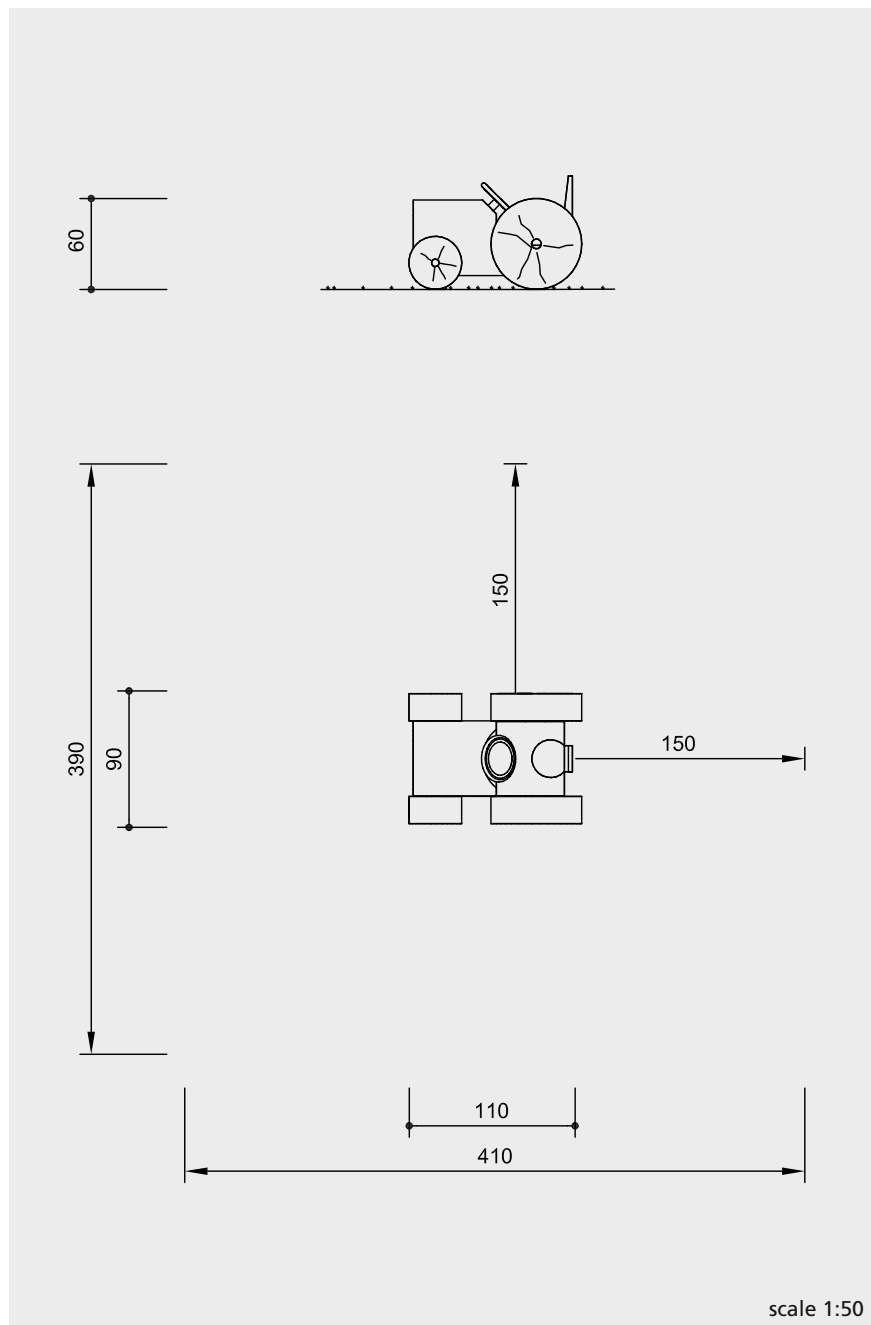
Small Tractor

Suitable

- for small children's areas of:
 - public playgrounds
 - kindergartens
 - playgrounds situated near houses
 - children's homes
 - therapy institutions for children
 - camp sites
- nurseries



4.24005



Safety check according to EN 1176

Components

- 1 tractor
- 2 foundation irons

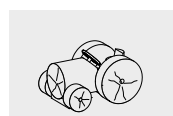
Installation information

Surfacing requirements corresponding to a fall height of ≤ 0.60 m

(please refer to price list for more detailed information)

Foundations
(only necessary in order to immobilise the equipment)
2 items 30 x 30 x 30 cm
excavation depth 50 cm

Attention:
Exact measurements may vary, for all installation dimensions refer to current installation instructions.
Technical changes reserved.



4.24005

Technical information

equipment made of non-impregnated mountain larch

de-barked timber

tractor and wheels de-barked by hand



ground anchor

all parts used for anchoring to the ground made of hot-dip galvanised steel



relief cut

parts which are not core-free have a kerf sawn at a suitable section of the trunk to pre-empt cracks that would form naturally or a bore hole as relief



dimensions

(small deviations possible)

height	0.60 m
length	1.10 m
width	0.90 m
weight	250 kg

For more detailed explanation of the quality characteristics see price list.



Play value

Children, above all girls, love horses. More than any other toy animal it is cared for, groomed and included into role play. The cart encourages communication.



© Richter Spielgeräte GmbH 10/15

Design and Copyright

Fundamental characteristics

- child proportions according to ergonomic requirements
- natural wooden surface which appeals to the senses
- incentive for playing: animal, cart, tail, rein
- movement: climbing, riding

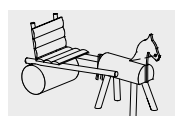
Suitable

- for older than, but also suitable for children under 3 years
- for public playgrounds
nurseries
playgrounds situated near houses
children's homes
therapy institutions for children
camp sites

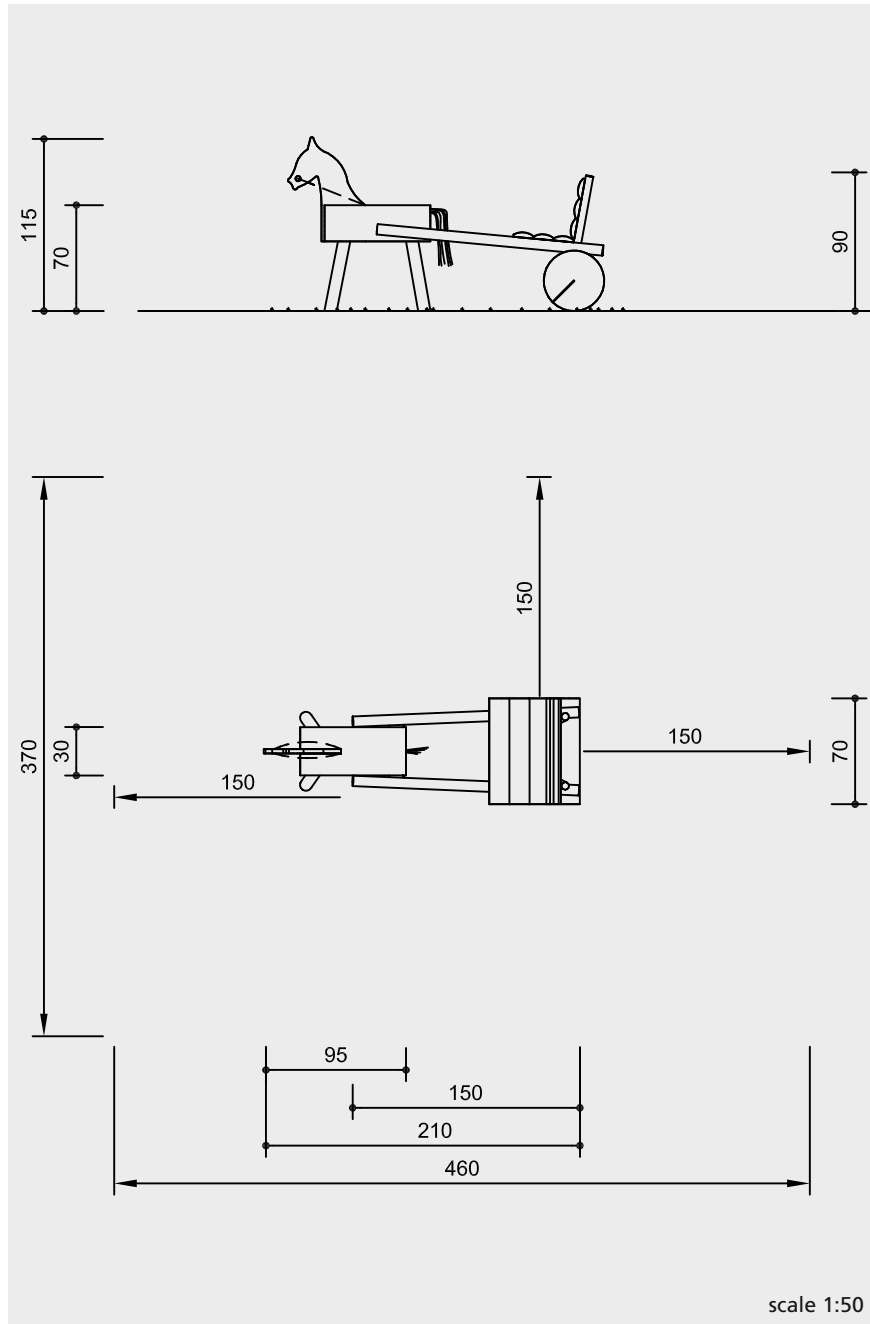
Horse „Peter“ Horse-cart



4.24130



4.24140



Technical information

equipment of non-impregnated mountain larch

de-barked

horse body and cart de-barked



core-free

round timbers core-free, by that formation of cracks can be reduced, milled



claddings

thickness 4 - 5 cm, de-barked by hand



plywood

head of three-layer waterproof plywood 30 mm



chains

short-link chain, 6 mm, welded before hot-dip galvanisation (stainless steel chains available on request)



ground anchor

all parts used for anchoring to the ground made of hot-dip galvanised steel



relief cut

parts which are not core-free have a kerf sawn at a suitable section of the trunk to pre-empt cracks that would form naturally or a bore hole as relief



Dimensions

(small deviations possible)

Order No.	4.24130	4.24140
height	1.15 m	1.15 m
length	0.95 m	2.10 m
width	0.30 m	0.70 m
weight	35 kg	110 kg

For more detailed explanation of the quality characteristics see price list.

Safety check according to EN 1176

Components

Order No. 4.24130 Horse

1 horse
4 foundations irons

Order No. 4.24140 „Peter“ Horse-cart

1 horse
1 cart
5 foundation irons

Installation information

Surfacing requirements corresponding to a fall height of ≤ 1.00 m (please refer to price list for more detailed information)

Foundations (only necessary to immobilise the equipment)

Order No. 4.24130
2 items 30 x 60 x 30 cm
excavation depth 50 cm

Order No. 4.24140
2 items 30 x 60 x 30 cm
excavation depth 50 cm
1 item 30 x 30 x 30 cm
excavation depth 50 cm

Attention:
Exact measurements may vary, for all installation dimensions refer to current installation instructions.

Technical changes reserved.



4.24130



4.24140

Play value

Children, and above all girls, love every kind of horse. They promote role play and encourage communication skills. The Pony is a smaller edition of our Horse. The small Pony and Trap is a miniature version of the big "Peter" Horse Cart. The buggy promotes role play and encourages communication skills. The pony can also be looked after alone, just like in real life.



© Richter Spielgeräte GmbH 10/15

Design and Copyright

Fundamental characteristics

- child-oriented dimensions
- natural wooden surface which appeals to the senses, chunky bodies
- incentive for playing: animal, cart, tail, rein
- movement: climbing, riding

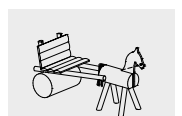
Suitable

- for small children's areas of:
 - public playgrounds
 - kindergartens
 - playgrounds situated near houses
 - children's homes
 - therapy institutions for children
 - camp sites
- nurseries

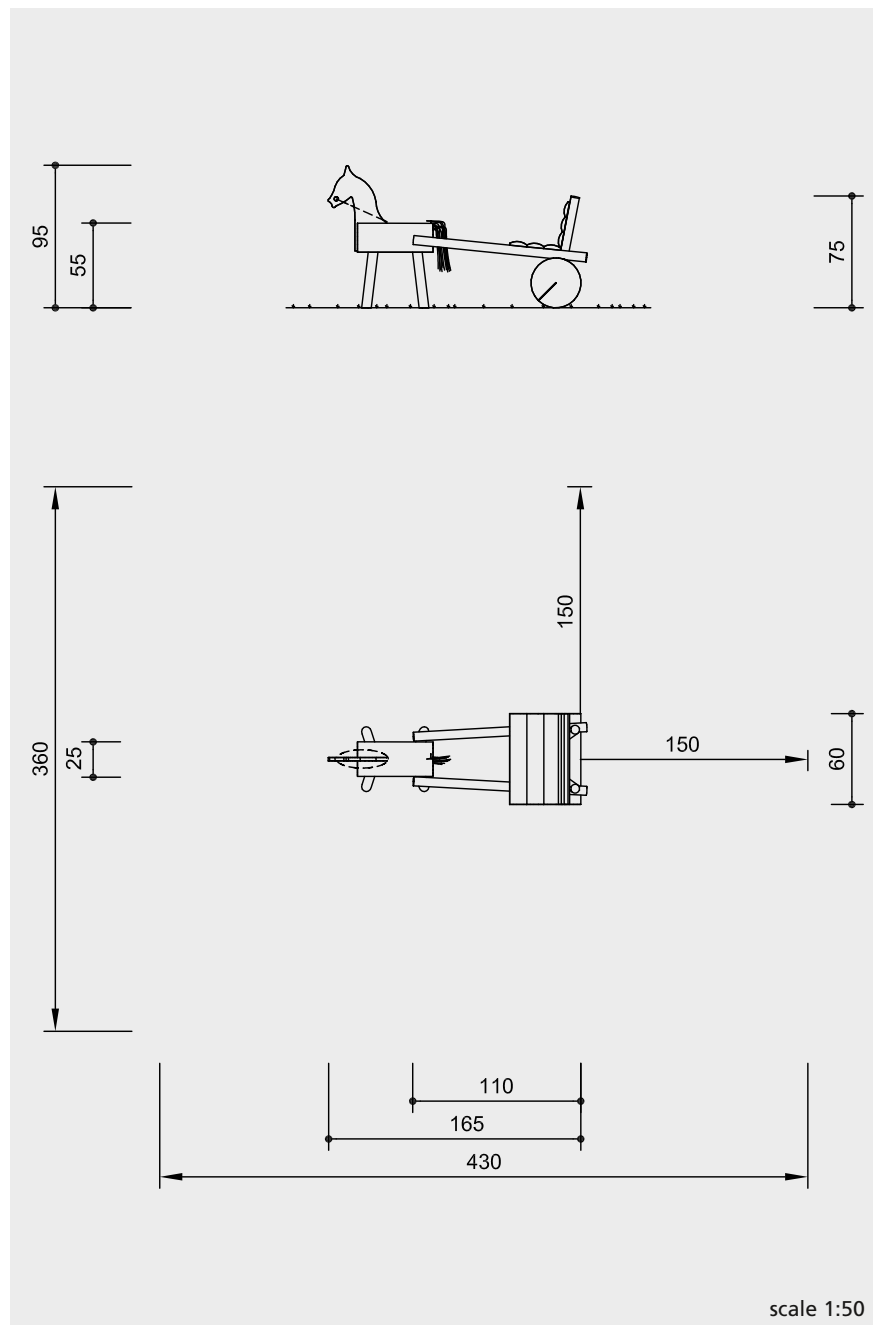
**Pony
Pony and Trap**



4.24135



4.24145



Safety check according to EN 1176

Technical information

equipment of non-impregnated mountain larch

de-barked timber
animal body and trap de-barked



core-free timber
round timbers core-free, by that formation of cracks can be reduced, milled



claddings
thickness 4 - 5 cm, de-barked by hand



plywood
head of plywood board 30 mm, waterproof



ground anchor
all parts used for anchoring to the ground made of hot-dip galvanised steel



chains
short-link chain, 6 mm, welded before hot-dip galvanisation (stainless steel chain available on request)



relief cut
parts which are not core-free have a kerf sawn at a suitable section of the trunk to pre-empt cracks that would form naturally or a bore hole as relief



dimensions
(small deviations possible)

Order No.	4.24135	4.24145
height	0.95 m	0.95 m
seat height	0.55 m	0.55 m
length	0.70 m	1.65 m
width	0.40 m	0.60 m
weight	30 kg	70 kg

For more detailed explanation of the quality characteristics see price list.

Components

Order No. 4.24135 Pony

- 1 pony
- 4 foundation irons

Order No. 4.24145 Pony and Trap

- 1 pony
- 1 trap
- 5 foundation irons

Installation information

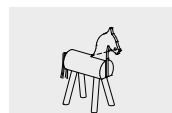
Surfacing requirements corresponding to a fall height of ≤ 0.60 m (please refer to price list for more detailed information)

Foundations (only necessary in order to immobilise the equipment)

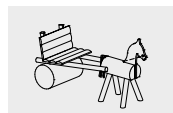
Order No. 4.24135
1 item 50 x 70 x 30 cm
excavation depth 50 cm

Order No. 4.24145
3 items 30 x 30 x 30 cm
excavation depth 50 cm

Attention:
Exact measurements may vary, for all installation dimensions refer to current installation instructions.
Technical changes reserved.



4.24135



4.24145

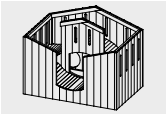


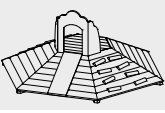








B Big Playthings for the Very Young

- 1 Vehicles
- 2 Play houses and small platforms
- 3 Animals and animal-shaped platforms

2

Whether people are big or small, all of us want a protective roof and the security of our own four sheltering walls. Children love to build dens in bushes, tree-houses, a nest in the bed, a little house underneath the staircase or a hut from a cardboard box; they build themselves a home. This is their very own home where they can feel safe and can hide away from the adult world. These structures, built according to their own imagination, provide the right setting for feeling at ease and stimulate a variety of role play. We copied our idea for a play house from children.

B 2 Play houses and small platforms

Order No. Item	page	Order No. Item	page
 4.05500 Dwarf Castle	129	 4.14914/4.14916 Platform House 4914/4916	143
 4.10100/4.10110 Small Play House	131	 4.06000 Dwarf Hill	145
 4.10200/4.10210 Big Play House	131	 4.06010 Little Mountain	147
 4.10300/4.10310 Small Timber House on Stilts	133		
 4.10400/4.10410 Large Timber House on Stilts	133		
 4.10500 Two Storey Playhouse	135		
 4.10700 House Group A	137		
 4.10900 House Group C	139		
 4.14904/4.14906 Platform House 4904/4906	141		

Play value

The fortified appearance of this Dwarf Castle can't help but arouse the interest of little ones. Different openings only partially reveal the secrets it holds inside. It is only through the capture and ransacking of the different levels and openings at the back that further possibilities begin to unfold. Whether as a commando bridge, to play hide and seek or a place for a short time-out for the childhood spirit. Creative children's games are always emotionally charged situations.



The curved floor offers an enticing, different way of conquering heights; both as a walking level and as an area for lying down on, and increases the experience for the children in a very special way.

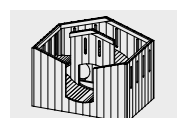
Dwarf Castle

Fundamental characteristics

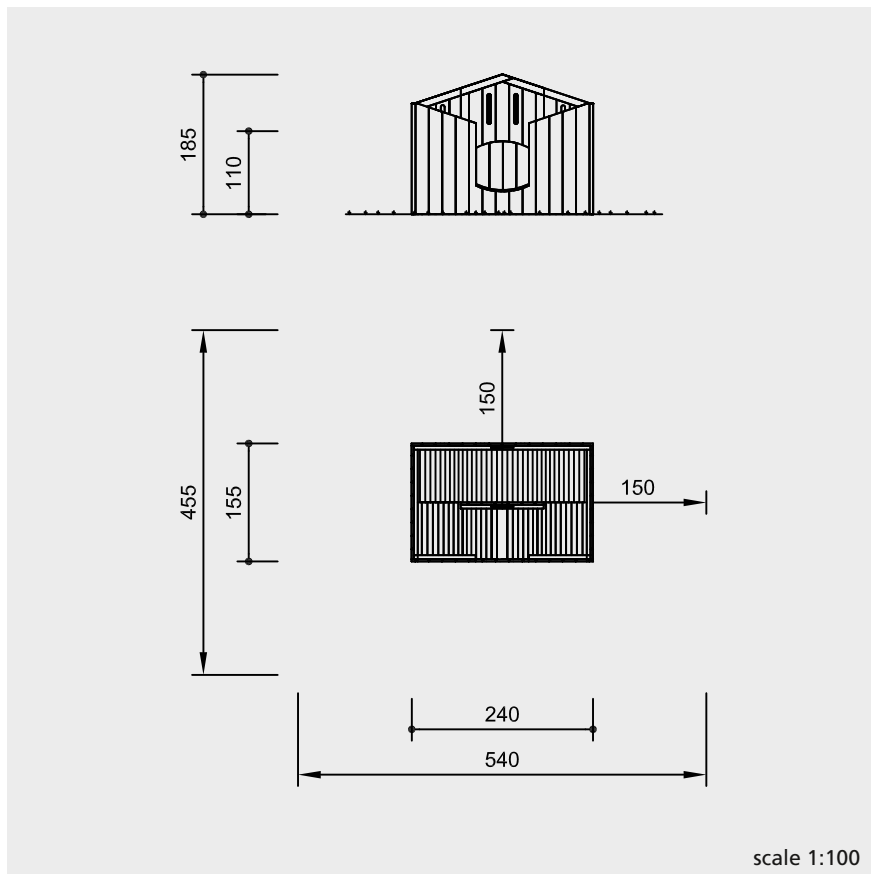
- completely made of wood for positive stimulus and tactile perception
- combination of curved and level elements
- opening for visual communication
- exercise activity:
 - running, crawling, going through openings
- role-play games

Suitable

- for small children's areas of:
 - public playgrounds
 - playgrounds situated near houses
 - kindergartens/nurseries
 - children's homes



4.05500



Safety check according to EN 1176

Technical information

equipment of non-impregnated mountain larch

core-free timber

sawn timbers are core-free, thus decreasing the occurrence of cracking



walls of 40 mm tongue and groove boarding



ground anchor

all parts used for anchoring to the ground made of hot-dip galvanised steel



Dimensions

(small deviations possible)

height	1.85 m
length	2.40 m
width	1.55 m
weight	460 kg

For more detailed explanation of the quality characteristics see price list.

Components

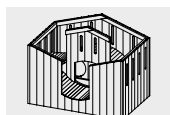
- 1 dwarf castle
- 4 foundation irons

Installation information

Surfacing requirements corresponding to a fall height of ≤ 1.50 m (please refer to price list for more detailed information)

Foundations
4 items 30 x 30 x 20 cm
excavation depth 40 cm

Attention:
Exact measurements may vary, for all installation dimensions refer to current installation instructions.
Technical changes reserved.



4.05500



Play value

The Play Houses with their basic furnishings like a table and benches are a stimulus to role-play for younger children. Primarily this entails mother and child games because the house with protective roof and four sheltering walls conveys the feelings and actions associated with family. The window enables supervision of the child and the door ensures the boundary to the private space. Doors, especially half doors, stimulate a variety of role-play such as shopping, post and bank activities.

Fundamental characteristics

- child proportions according to ergonomic requirements
- appealing design
- mixed material forms: claddings/square timber
- natural wooden surface which appeals to the senses
- sturdy, double-layer roof construction
- incentive for playing: veranda, door, furniture

Suitable

- for older than, but also suitable for children under 3 years
- for small children's areas of public playgrounds
- nurseries
- children's homes
- therapy institutions for children
- leisure areas
- school playgrounds



Order No. 4.10105 Smallest Playing House please refer to our catalogue „For the Very Young“



Order No. 4.10110 with door

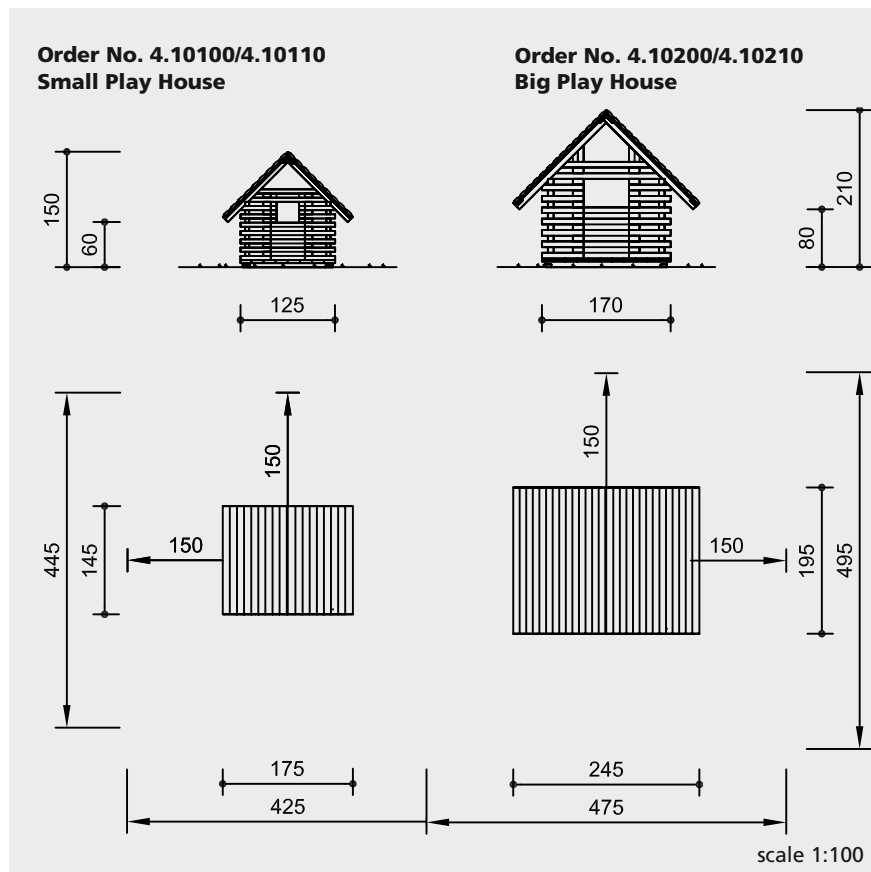
Small Play House
Small Play House with door
Big Play House
Big Play House with door



4.10100/4.10110



4.10200/4.10210



Safety check according to EN 1176

Components

- 1 house body, including:
 - 2 benches
 - 1 table
- 2 roof sections, double-layered
- 4 foundation irons

Order No. 4.10110/4.10210
as before, but with installed door

Installation information

Surfacing requirements corresponding to a fall height of ≤ 0.60 m (please refer to price list for more detailed information)

Foundations (only necessary to immobilise the equipment)

- Order No. 4.10100/4.10110**
4 items 30 x 30 x 30 cm
excavation depth 40 cm
- Order No. 4.10200/4.10210**
4 items 40 x 40 x 40 cm
excavation depth 50 cm

Attention:
Exact measurements may vary, for all installation dimensions refer to current installation instructions.
Technical changes reserved.

Technical information

core-free
sawn timbers of spruce/fir, boiler-pressure impregnated according to DIN 68800-3, use class 4, core-free, by that formation of cracks can be reduced



claddings
thickness 3 - 5 cm, de-barked by hand, of spruce/fir, boiler-pressure impregnated according to DIN 68800-3, use class 4



ground anchor
all parts used for anchoring to the ground made of hot-dip galvanised steel



Order No. 4.10100/4.10110
Order No. 4.10200/4.10210
impregnated version with double-layered roof of 21 mm boards and 3 - 5 cm thick claddings

Order No. L4.10100/L4.10110
Order No. L4.10200/L4.10210
version made of larch with single-layered roof of 4 - 5 cm thick, half-rebated claddings

Dimensions

(small deviations possible)

Order No.	4.10100	4.10200
	4.10110	4.10210
height	1.50 m	2.10 m
width	1.75 m	2.45 m
depth	1.45 m	1.95 m
weight	250 kg	500 kg

For more detailed explanation of the quality characteristics see price list.



4.10100/4.10110



4.10200/4.10210



Play value

The Timber House is a Play House on stilts, with basic furnishings like a table and benches. It offers all the play possibilities of the Play House but has a higher play value due to the second play level. The lower play area invites den-building and adventure games but can also be cellar or stable. The stair is a stimulus for activity and can be an activity in itself, climbing, stepping, jumping and hiding.

Fundamental characteristics

- child proportions according to ergonomic requirements
- appealing design
- natural wooden surface which appeals to the senses
- incentive for playing: veranda, furniture, ladder
- movement: climbing up and around

Suitable

- for older than, but also suitable for children under 3 years
- for public playgrounds
- playgrounds situated near houses
- nurseries
- children's homes
- therapy institutions for children
- school playgrounds
- leisure areas



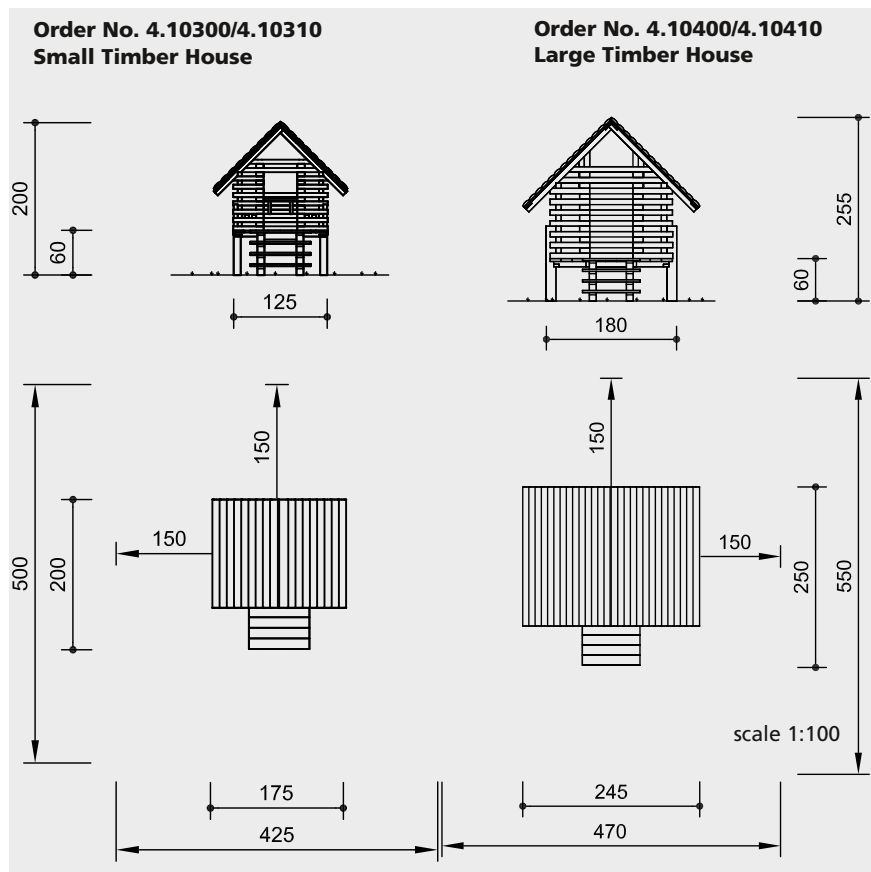
Small Timber House on Stilts
Small Timber House on Stilts with door
Large Timber House on Stilts
Large Timber House on Stilts with door



4.10300/4.10310



4.10400/4.10410



Safety check according to EN 1176

Components

- 1 house body, including:
 - 2 benches
 - 1 table
- 4 support posts
- 1 stairs with foundation irons
- 2 roof sections, double-layered

Order No. 4.10310/4.10410
as before, but with door

Installation information

Surfacing requirements corresponding to a fall height of ≤ 0.60 m (please refer to price list for more detailed information)

Foundations
Order No. 4.10300/4.10310
Small Timber House on Stilts

- 4 items 50 x 50 x 40 cm excavation depth 60 cm
- 1 item 30 x 70 x 20 cm excavation depth 40 cm

Order No. 4.10400/4.10410
Large Timber House on Stilts

- 4 items 50 x 50 x 40 cm excavation depth 60 cm
- 1 item 30 x 70 x 20 cm excavation depth 40 cm

Attention:
Exact measurements may vary, for all installation dimensions refer to current installation instructions.
 Technical changes reserved.
Equipment also available with steel feet or made of larch with steel feet.

Technical information

core-free
 sawn timbers of spruce/fir, boiler-pressure impregnated according to DIN 68800-3, use class 4, core-free, by that formation of cracks can be reduced



claddings
 thickness 3 - 5 cm, de-barked by hand, boiler pressure impregnated according to DIN 68800-3, use class 4



floor of 25 mm tongue and groove boards

steps of stairs made of hardwood, 32 mm

Order No. 4.10300/4.10400
Order No. 4.10310/4.10410
 impregnated version with double-layered roof of 21 mm boards and 3 - 5 cm thick claddings

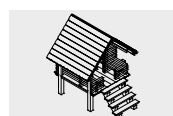
Order No. L4.10300/L4.10400
Order No. L4.10310/L4.10410
 version made of larch with single-layered roof of 4 - 5 cm thick, half-rebated claddings

Dimensions

(small deviations possible)

Order No.	4.10300	4.10400
	4.10310	4.10410
height	2.00 m	2.55 m
height floor	0.60 m	0.60 m
length	1.75 m	2.45 m
width	2.00 m	2.50 m
weight	320 kg	600 kg

For more detailed explanation of the quality characteristics see price list.



4.10300/4.10310



4.10400/4.10410

Play value

The Two Storey Play House offers two rooms and basic furnishings like a table and benches for role play such as family, mother and child and neighbourly play activities on two levels. There is a furnished basement with window and a ladder leading to the upper area.

Fundamental characteristics

- child proportions according to ergonomic requirements
- appealing design by:
 - solid wooden roof, proportion between closed and transparent walls, child-orientated rooms
- natural wooden surface which appeals to the senses
- incentive for playing: two storeys, veranda, furnishing on both play levels

Suitable

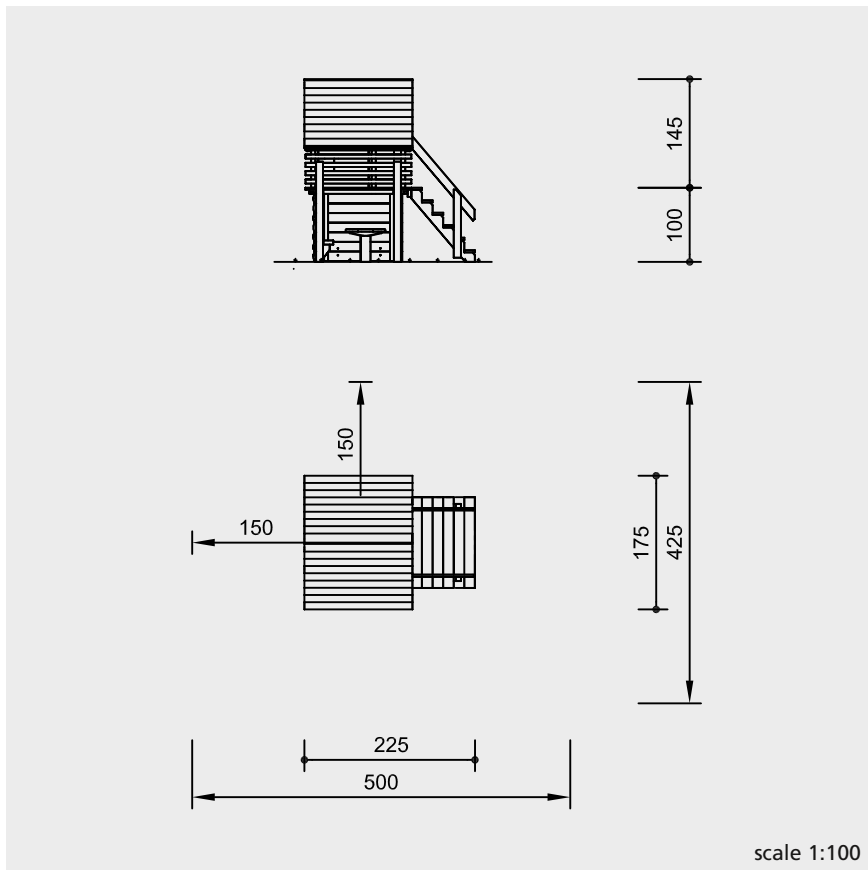
- for older than, but also suitable for children under 3 years
- for public playgrounds
playgrounds situated near houses
nurseries
children's homes
therapy institutions for children
school playgrounds
leisure areas



Two Storey Play House



4.10500



Safety check according to EN 1176

Components

- 1 house body
- 2 roof sections, double-layered
- 4 support posts
- 1 stairs with hand rail and foundation irons
- 1 level playroom containing:
 - 2 walls with 2 benches
 - 1 round table

Installation information

Surfacing requirements corresponding to a fall height of ≤ 1.00 m (please refer to price list for more detailed information)

Foundations

Timber House on Stilts

4 items 50 x 50 x 40 cm
excavation depth 60 cm

Stairs

2 items 30 x 30 x 20 cm
excavation depth 40 cm

Table

1 item 60 x 60 x 40 cm
excavation depth 60 cm

Attention:

Exact measurements may vary, for all installation dimensions refer to current installation instructions.

Technical changes reserved.

Equipment also available with steel feet or made of larch with steel feet.

Technical information

core-free

sawn timbers of spruce/fir, boiler-pressure impregnated according to DIN 68800-3, use class 4, core-free, by that formation of cracks can be reduced



claddings

thickness 3 - 5 cm, de-barked by hand, boiler pressure impregnated according to DIN 68800-3, use class 4



floor of 25 mm tongue and groove boards

stairs, table and benches of non-impregnated mountain larch

steps of stair made of hardwood, 32 mm

Order No. 4.10500

impregnated version with double-layered roof of 21 mm boards and 3 - 5 cm thick claddings

Order No. L4.10500

version made of larch with single-layered roof of 4 - 5 cm thickness, half-rebated claddings

Dimensions

(small deviations possible)

total height	2.45 m
height floor	1.00 m
length	2.25 m
width	1.75 m
width stair	1.20 m
weight	380 kg

For more detailed explanation of the quality characteristics see price list.



4.10500

Play value

The small village of timber houses provides a friendly atmosphere in the play area. The different play levels with their basic furnishings like a table and benches stimulate house and cave games while the wide platform is a meeting point for neighbourhood contacts. The steps are good for sitting and talking. Naturally the active children use the house combination for running about, chasing and climbing.



Order No. L4.10700 made of larch



Order No. 4.10701 impregnated with steel feet

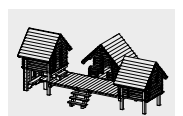
Fundamental characteristics

- child proportions according to ergonomic requirements
- agreeably designed ensemble for role games
- appealing design by: arrangement of the houses, sheltering roofs, alteration on materials: claddings/ square timber
- natural wooden surface which appeals to the senses
- sturdy roof construction
- incentive for playing: furniture, stairs, ramps
- movement: crawling, hiding, climbing

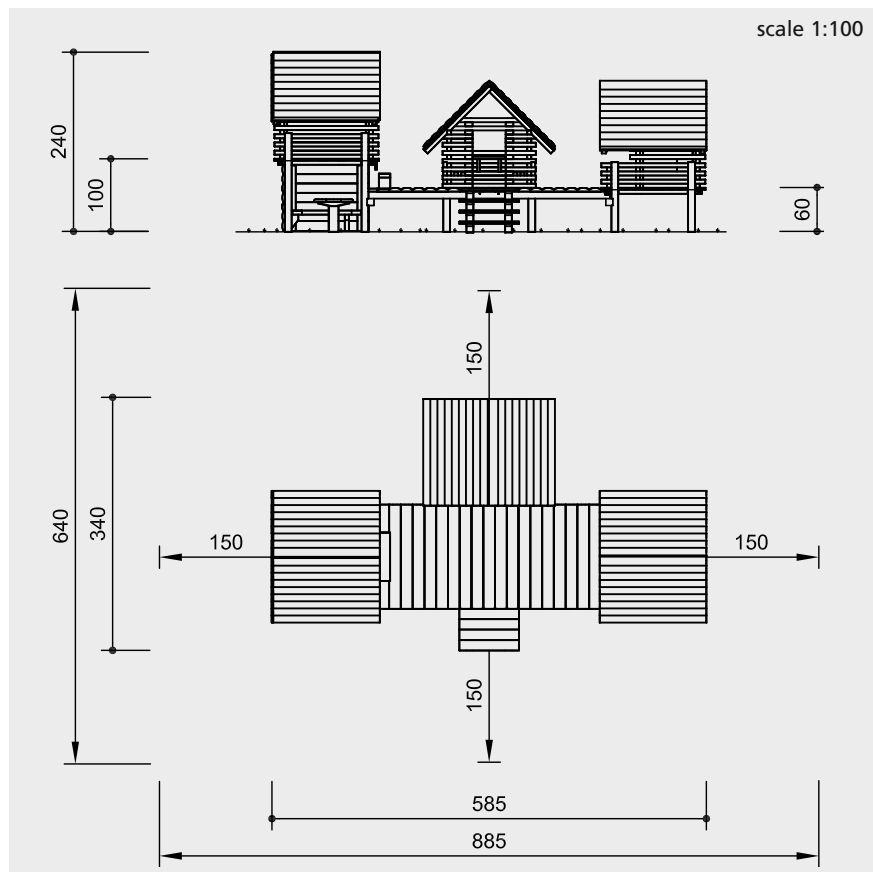
Suitable

- for older than, but also suitable for children under 3 years
- for public playgrounds
playgrounds situated near houses
nurseries
children's homes
therapy institutions for children
school playgrounds
leisure areas

House Group A



4.10700



Safety check according to EN 1176

Components

- 3 timber houses on stilts
- 1 level room containing:
 - 2 walls with 2 benches,
 - 1 round table
- 1 bridge
- 1 stairs with foundation irons
- 1 step

Installation information

Surfacing requirements corresponding to a fall height of ≤ 0.60 m (please refer to price list for more detailed information)

Foundations

Timber Houses
12 items 50 x 50 x 40 cm
excavation depth 60 cm

Stairs
1 item 30 x 70 x 20 cm
excavation depth 40 cm

Table
1 item 60 x 60 x 40 cm
excavation depth 60 cm

Attention:

Exact measurements may vary, for all installation dimensions refer to current installation instructions.
Technical changes reserved.
Equipment also available with steel feet or made of larch with steel feet.

Technical information

core-free

sawn timbers of spruce/fir, boiler pressure impregnated according to DIN 68800-3, use class 4, core-free, by that formation of cracks can be reduced



claddings

thickness 3 - 5 cm, de-barked by hand, boiler pressure impregnated according to DIN 68800-3, use class 4



floors of the houses of 25 mm tongue and groove boards

Bridge, stairs, table and benches of non-impregnated mountain larch

steps of stairs made of hardwood, 32 mm

Order No. 4.10700

impregnated version with double-layered roof of 21 mm boards and 3 - 5 cm thick claddings

Order No. L4.10700

version made of larch with single-layered roof of 4 - 5 cm thickness, half-rebated claddings

Dimensions

(small deviations possible)

length 5.85 m
width 3.40 m

Timber Houses

height 2.40 m
height floor 1.00/0.60 m

Bridge

height 0.60 m
length 3.00 m
width 1.40 m

Stairs

width 0.80 m

weight 1180 kg

For more detailed explanation of the quality characteristics see price list.



4.10700

Play value

House combinations with basic furnishings like a table and benches promote role games such as family and neighbourhood games and are a friendly centre-piece of playgrounds. It is possible to drive child vehicles onto the ramp and directly in front of the house, and the steps invite sitting. The play houses with their different levels are an incentive for active play.



Order No. L4.10900 made of larch

Fundamental characteristics

- child proportions according to ergonomic requirements
- agreeably designed ensemble for role games
- appealing design by: arrangement of the houses, sheltering roofs, mixed material forms: claddings/square timber
- natural wooden surface which appeals to the senses
- sturdy roof construction
- incentive for playing: furniture, stairs, ramps
- movement: crawling, hiding, movement on the ramp

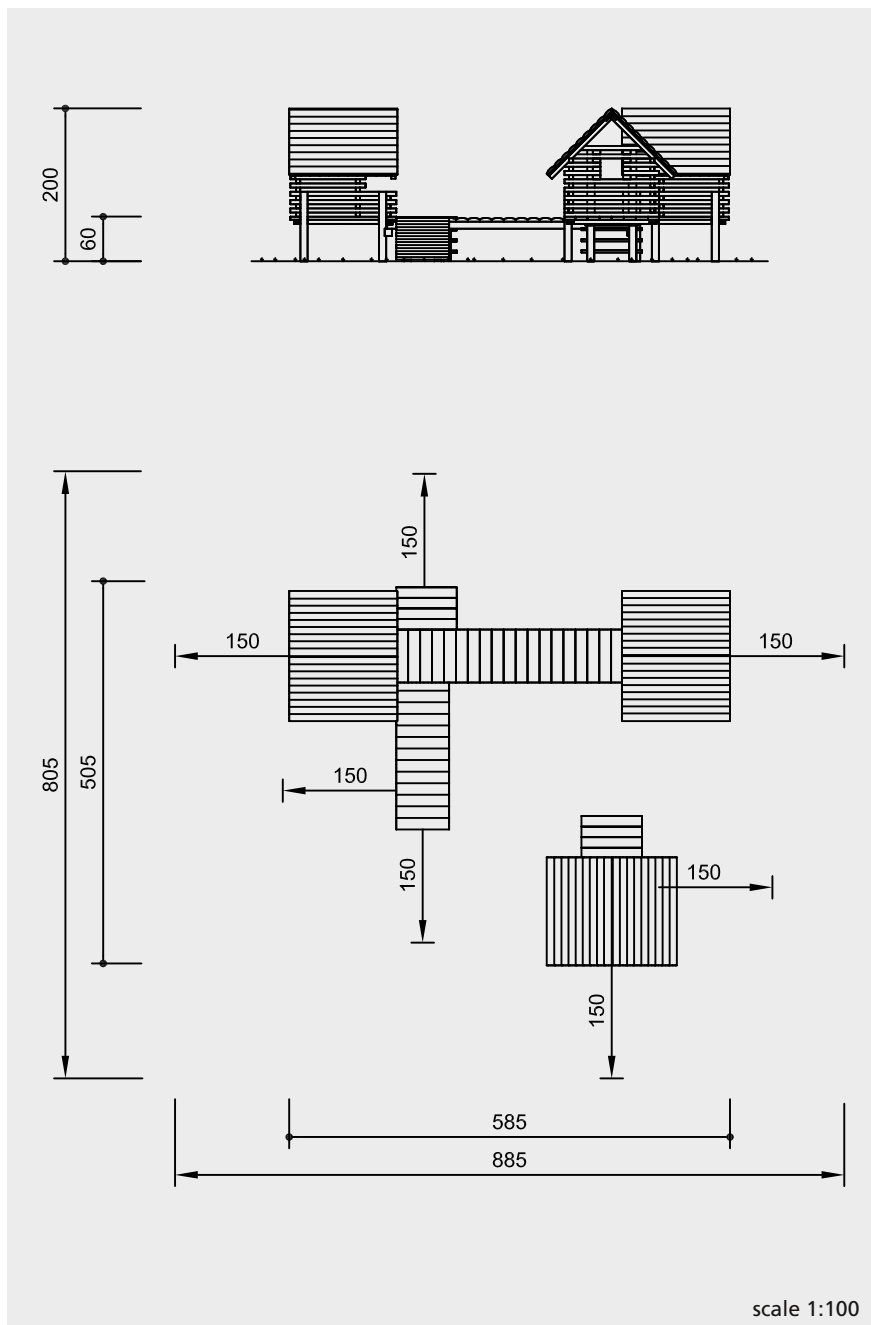
House Group C

Suitable

- for older than, but also suitable for children under 3 years
- for public playgrounds
- playgrounds situated near houses
- nurseries
- children's homes
- therapy institutions for children
- school playgrounds
- leisure areas
- camp sites



4.10900



Safety check according to EN 1176

Components

- 3 timber houses on stilts
- 1 bridge
- 1 inclined ramp with foundation irons
- 2 narrow stairs with foundation irons

Installation information

Surfacing requirements corresponding to a fall height of ≤ 0.60 m (please refer to price list for more detailed information)

Foundations

Timber Houses
12 items 50 x 50 x 40 cm
excavation depth 60 cm

Ramp
1 item 30 x 50 x 30 cm
excavation depth 50 cm

Stairs
2 items 30 x 70 x 20 cm
excavation depth 40 cm

Attention:

Exact measurements may vary, for all installation dimensions refer to current installation instructions.

Technical changes reserved.

Equipment also available with steel feet or made of larch with steel feet.

Technical information

core-free timber

sawn timbers core-free, of spruce/fir, boiler pressure impregnated according to DIN 68800-3, use class 4



claddings

thickness 3 - 5 cm, de-barked by hand, boiler pressure impregnated according to DIN 68800-3, use class 4



floors of the houses of 27 mm tongue and groove boards

Ramp, bridge, handrail and stairs of non-impregnated mountain larch

steps of hardwood, 32 mm

Order No. 4.10900 impregnated version with double-layered roof of 21 mm boards and 3 - 5 cm thick cladding

Order No. L4.10900 version in larch with single-layered roof of 4 - 5 cm thickness, half-rebated cladding

Dimensions

(small deviations possible)

length 5.85 m
width 5.05 m

Timber Houses

height 2.00 m
height floor 0.60 m

Bridge

height 0.60 m
length 3.00 m
width 0.70 m

Ramp

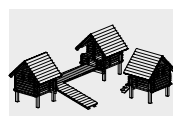
length 3.00 m
width 0.70 m

Stair

width 0.80 m

weight 1150 kg

For more detailed explanation of the quality characteristics see price list.



4.10900

Play value

Even as basic equipment, the Platform House has Platform, House, Slide and Inclined Climbing Net as well as basic furnishings like a table and benches and is a versatile, independent small playground. It provides incentives for role-playing games and numerous exercise activities.



© Richter Spielgeräte GmbH 10/15

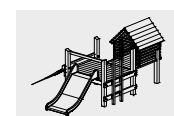
Fundamental characteristics

- child-oriented dimensions according to ergonomic requirements
- natural wooden surface which appeals to the senses
- constructional advantage: strong planking of the platform creates large, "support-free" play space underneath the platform
- compact playground with a small footprint, suitable when space is at stake
- combination for role-playing games, "work" play and activity
- exercise activity: climbing, sliding, crawling, crouching, using physical strength

Platform House 4904
Platform House 4906

Suitable

- for children from 3 years of age
- for public playgrounds
- playgrounds situated near houses
- kindergartens/nurseries
- children's homes
- child therapy centres
- full-day schools
- leisure areas

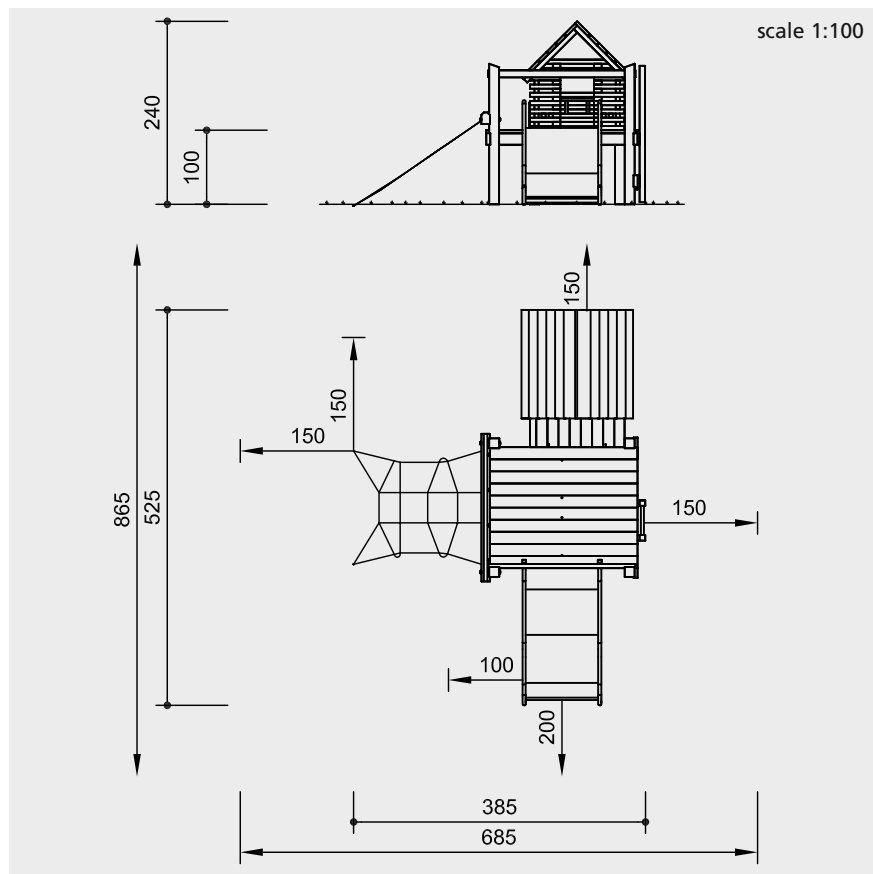


4.14904



4.14906

Design and Copyright



scale 1:100

safety check according to EN 1176

Components

- 1 platform 1.60 x 2.00 m
- 1 platform house
floor dimensions 1.25 x 1.80 m
- 1 ladder
- 1 inclined climbing net
installation height 1.00 m
- 1 small children slide with ground anchor
Order No 3.63300

Installation information

Surfacing requirements corresponding to a fall height of ≤ 1.00 m (please refer to price list for more detailed information)

Foundations

- Platform House**
6 items 60 x 60 x 60 cm
excavation depth 80 cm
- Inclined Climbing Net**
2 items 50 x 50 x 40 cm
excavation depth 80 cm
- Slide**
excavation depth for ground anchor 55 cm

Attention:
Exact measurements may vary;
for all installation dimensions refer
to current assembly instructions.
Technical changes reserved.

Technical information

equipment of non-impregnated mountain larch

angle cut
vertical stand posts with angle cut in the end grain section as constructive wood preservation



core-free timber
sawn timbers core-free, thus decreasing occurrences of cracking



tongue and groove
platform floors and roof made of 40 mm tongue and groove boarding



hardwood rungs
climbing rungs of hardwood, milled and mortised, Ø 42 mm



Corocord® rope
special ropes of "Hercules type"
net of 19 mm six-strand Corocord® rope of the special "Hercules type", abrasion-protected through heating of the six steel strands and melting the polyamide sleeve onto them, standard colour red



aluminium swages
double-conical aluminium swages with rounded-off ends



S-clamps
neatly rounded Corocord® S-clamps made of stainless steel, Ø 8 mm



ground anchor
all parts used for anchoring to the ground made of hot-dip galvanised steel



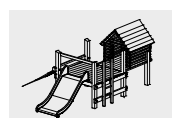
total construction of the slide made of stainless steel, thickness of the sides 2 mm, thickness of sliding surface 2.5 mm

Order No 4.14906
Platform House 4906
handrails all round

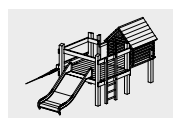
Dimensions
(small deviations possible)

height	2.40 m
length	3.85 m
width	5.25 m
platform height	1.00 m
platform length	2.00 m
weight	630 kg

Please refer to the price list for a more detailed explanation of the quality characteristics.



4.14904



4.14906

Play value

Our Platform House with fitted interior furnishing simply invites children to engage in different types of role-playing games. Installed in sand, the hoist with revolving crane also makes additional activities possible. Children are able to give free reign to fantasy-full games that mirror the grown-up world of work. It also promotes communication and coordination.



Fundamental characteristics

- child-oriented dimensions according to ergonomic requirements
- natural wooden surface which appeals to the senses
- constructional advantage: strong planking of the platform creates large, "support-free" play space underneath the platform
- compact playground with a small footprint, suitable when space is at stake
- combination for role-playing games, "work" play and activity
- exercise activity: climbing, sliding, crawling, crouching, using physical strength



Platform House 4914
Platform House 4916

Suitable

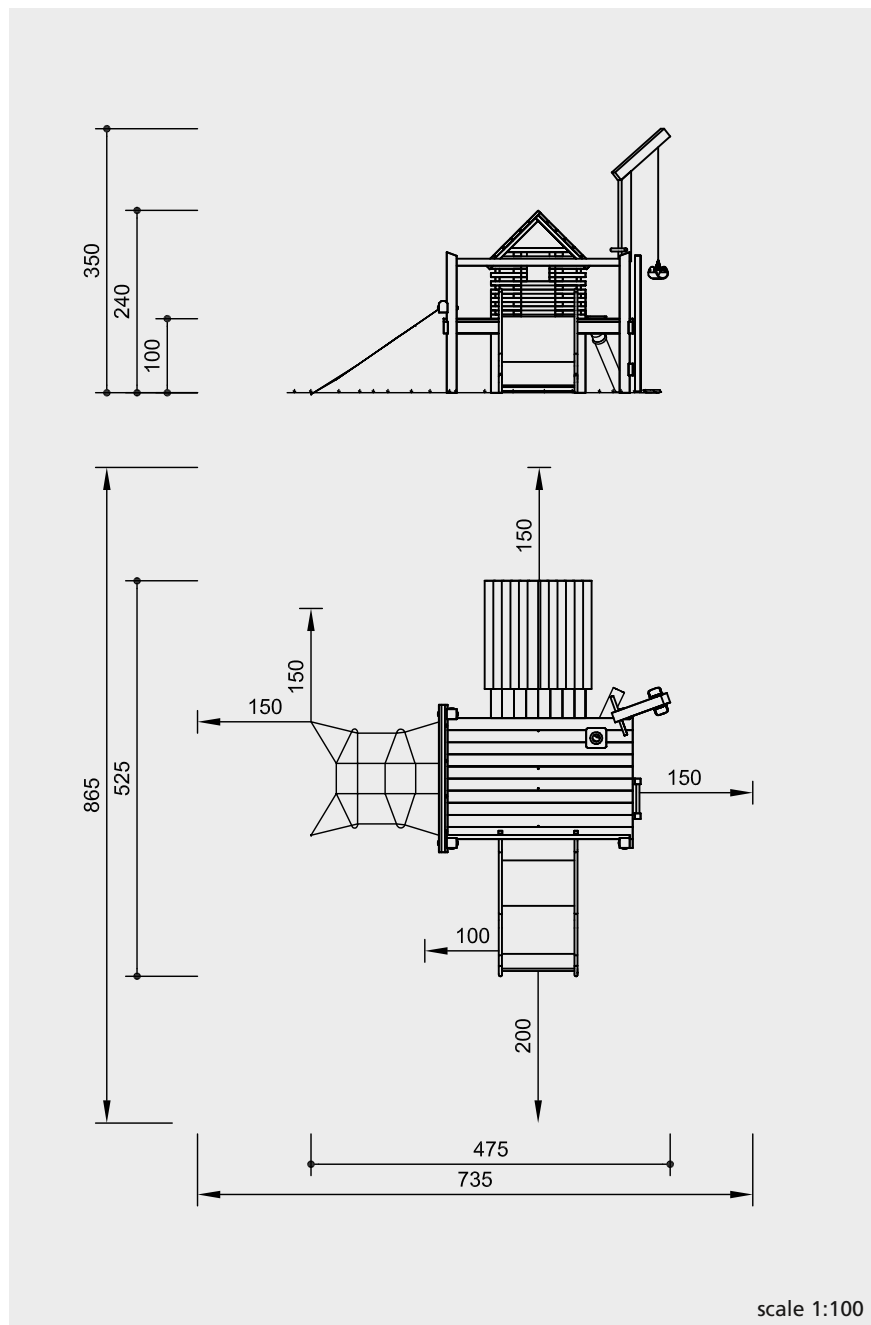
- for children from 3 years of age
- for public playgrounds
- playgrounds situated near houses
- kindergartens/nurseries
- children's homes
- child therapy centres
- full-day schools
- leisure areas



4.14914



4.14916



scale 1:100

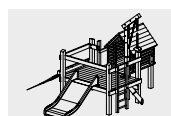
safety check according to EN 1176

Components

- 1 platform 1.60 x 2.50 m
- 1 platform house
floor dimensions 1.25 x 1.80 m
- 1 ladder
- 1 inclined climbing net,
installation height 1.00 m
- 1 small children slide with ground anchor
order No 3.63300
- 1 revolving crane with sand hoist
- 1 sand pipe, 1 shovel



4.14914



4.14916

Installation information

Surfacing requirements corresponding to a fall height of ≤ 1.00 m (please refer to price list for more detailed information)

Foundations

- Platform House**
6 items 60 x 60 x 60 cm
excavation depth 80 cm
- Inclined Climbing Net**
2 items 50 x 50 x 40 cm
excavation depth 80 cm

Slide

excavation depth for ground anchor 55 cm

Attention:

Exact measurements may vary; for all installation dimensions refer to current assembly instructions.

Technical changes reserved.

Technical information

equipment of non-impregnated mountain larch

angle cut

vertical stand posts with angle cut in the end grain section as constructive wood preservation



core-free timber

sawn timbers core-free, thus decreasing occurrences of cracking



tongue and groove

platform floors and roof made of 40 mm tongue and groove boarding



hardwood rungs

climbing rungs of hardwood, milled and mortised, Ø 42 mm



Corocord® rope

special ropes of "Hercules type"

net of 19 mm six-strand Corocord® rope of the special "Hercules type", abrasion-protected through heating of the six steel strands and melting the polyamide sleeve onto them, standard colour red



aluminium swages

double-conical aluminium swages with rounded-off ends



S-clamps

neatly rounded Corocord® S-clamps made of stainless steel, Ø 8 mm



ground anchor

all parts used for anchoring to the ground made of hot-dip galvanised steel



chains

short-link chains, 5 mm, welded before hot-dip galvanisation (stainless steel chain available on request)



total construction of the slide made of stainless steel, thickness of the sides 2 mm, thickness of sliding surface 2.5 mm

revolving range of crane 350°, axially connected to post, with maintenance-free turning mechanism

sand pipe made of plastic, wall thickness approx. 7 mm

sand container of textile-reinforced PAH-free rubber belt, 8 mm thick

Order No 4.14916
Platform House 4916
handrails all round

Dimensions

(small deviations possible)

height	3.50 m
length	4.75 m
width	5.25 m
platform height	1.00 m
platform length	2.50 m
weight	730 kg

Please refer to the price list for a more detailed explanation of the quality characteristics.



Play value

Up and down – the Dwarf Hill provides a good practice area for basic exercises, such as climbing, standing on top and sliding. This promotes coordination as well as body awareness.

Fundamental characteristics

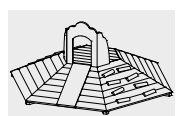
- child-oriented dimensions
- appealing design and construction
- natural wooden surface which appeals to the senses
- movement: climbing with different degrees of difficulty, standing high on top
- can also be used instead of a mound

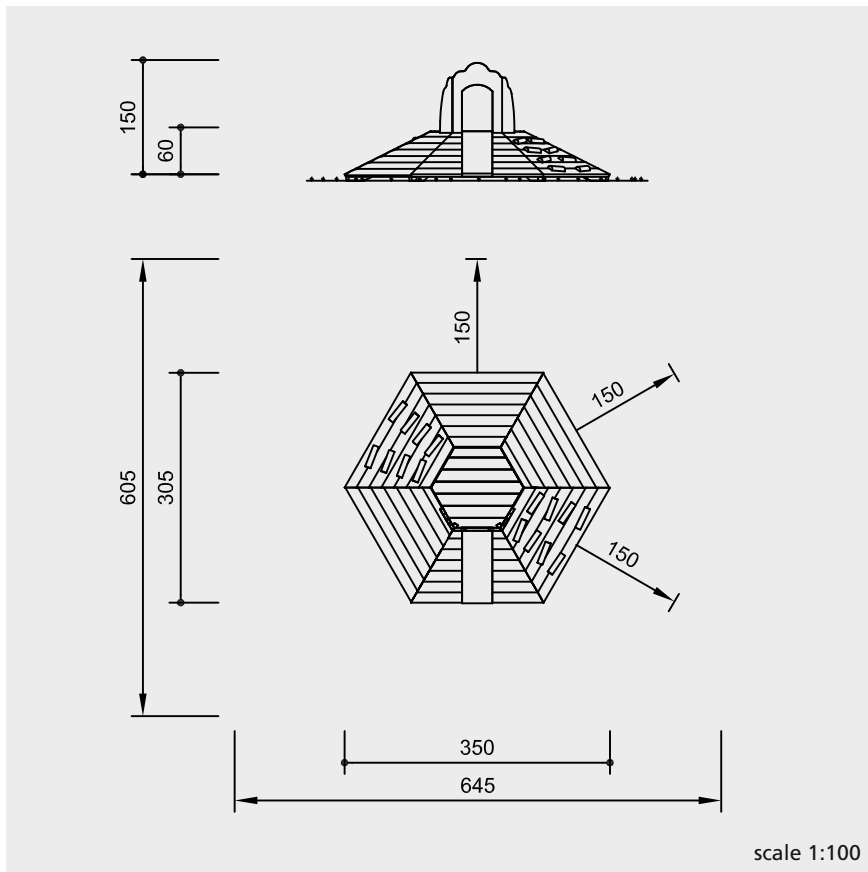
Suitable

- for small children's areas of:
public playgrounds
playgrounds situated near houses
kindergartens/nurseries
children's homes



Dwarf Hill





Safety check according to EN 1176

Technical information

equipment made of non-impregnated mountain larch

core-free timber

sawn timbers core-free, thus decreasing the occurrences of cracking



claddings

thickness 4 - 5 cm, de-barked by hand



tongue and groove

floor made of 40 mm tongue and groove boarding



plywood

gate made of larch plywood board 30 mm, waterproof



stainless steel incline

Dimensions

(small deviations possible)

height	1.50 m
height of the hill	0.60 m
length	3.50 m
width	3.05 m
weight	360 kg

For more detailed explanation of the quality characteristics see price list.

Components

- 2 parts of the hill with stainless steel incline and climbing aids
- 1 floor
- 1 gate

Installation information

Surfacing requirements corresponding to a fall height of ≤ 0.60 m (please refer to price list for more detailed information)

Foundations not necessary

Attention:
Exact measurements may vary, for all installation dimensions refer to current installation instructions.
 Technical changes reserved.



4.06000



Play value

Standing on top of the Little Mountain after climbing it in many different ways, gives rise to an unexpected feeling of freedom. The special construction makes a safety-related fall height unnecessary, which is why no barriers are required. The wooden slopes, each constructed in a different way, entice children to climb them. The fun slide ensures they get down quickly. The design of the Little Mountain lends a delightful character to any play area for the smallest child.

Fundamental characteristics

- child-oriented dimensions
- appealing design and construction
- natural wooden surface which appeals to the senses
- movement: climbing with different degrees of difficulty, standing high on top, sliding
- can also be used instead of a mound

Suitable

- for small children's areas of:
 - public playgrounds
 - playgrounds situated near houses
 - kindergartens/nurseries
 - children's homes



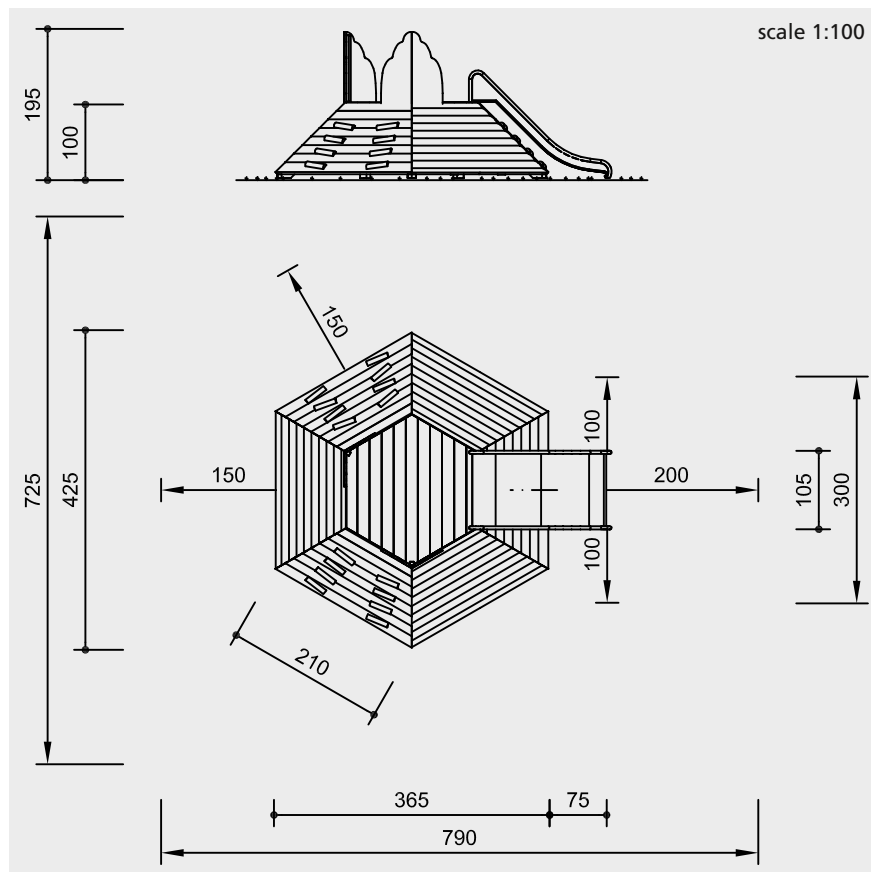
Little Mountain

© Richter Spielgeräte GmbH 10/15

Design and Copyright



4.06010



scale 1:100

Safety check according to EN 1176

Technical information

equipment of non-impregnated mountain larch

core-free timber
sawn timbers core-free, thus decreasing the occurrences of cracking



claddings
thickness 4 - 5 cm, de-barked by hand



tongue and groove
floor made of 40 mm tongue and groove boarding



plywood
leaves made of larch plywood board 30 mm, waterproof



Slide
total construction made of stainless steel, thickness of the sides 2 mm, thickness of sliding surface 2.5 mm, slide walls glass bead blasted

Dimensions
(small deviations possible)

height	1.95 m
height. of mountain	1.00 m
length	4.40 m
width	4.25 m
width slide	1.00 m
weight	570 kg

For more detailed explanation of the quality characteristics see price list.

Components

- 2 parts of the mountain partly with climbing aids
- 1 floor with 1 frame
- 2 walls
- 1 wide slide with ground anchor
- Order No. 3.63300

Installation information

Surfacing requirements corresponding to a fall height of ≤ 1.00 m (please refer to price list for more detailed information)

Foundations not necessary

Slide
excavation depth for ground anchor 55 cm

Attention:
Exact measurements may vary, for all installation dimensions refer to current installation instructions.
Technical changes reserved.




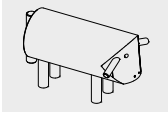
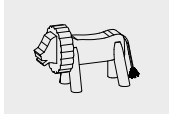

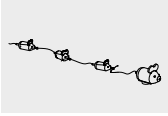
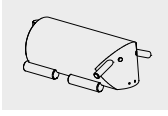
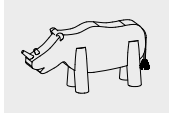

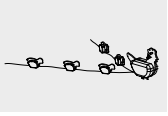

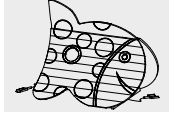
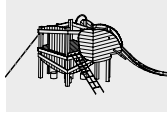
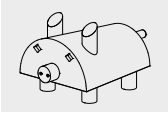
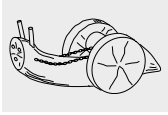
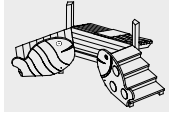
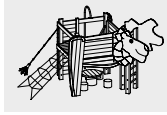
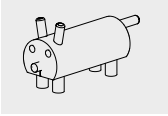
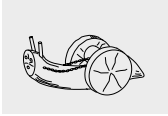
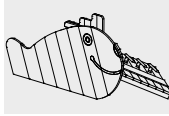


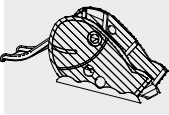


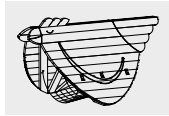

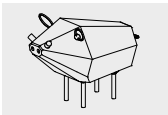
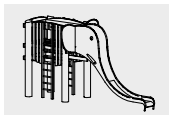

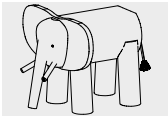
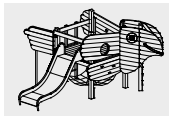
4.06010

B Big Playthings for the Very Young

- 1 Vehicles
- 2 Play houses and small platforms
- 3 **Animals and animal-shaped platforms**

The inner freedom of children who grow up more or less stress-free makes it possible for them to explore many different paths – ones which are mostly no longer open to adults. A part of this freedom is also the ability to make believe. This means they are able to animate inanimate objects with a deeper conviction. At that moment they create their own individual reality, which is very important for the development of the child's inner sense of being. Within this living space that they create for themselves, they are free to satisfy their wishes and, in the best case scenario, manage conflicts. Most children, in keeping with their holistic state of being, are drawn to animals. They are very attracted to them and it can be easily observed how they engage with animals on an equal level. They are often still in tune with nature.

B 3 Animals and animal-shaped platforms

Order No. Item	page	Order No. Item	page	Order No. Item	page	Order No. Item	page
 4.24240 Duck Family	149	 4.24195 Sheep, standing	157	 4.24175 Lion	169	 4.90010 Fish Berta	185
 4.24250 Dancing Mice	149	 4.24196 Sheep, resting	157	 4.24176 Rhinoceros	169	 4.90020 Dragon Platform	187
 4.24260 Chicken Family	149	 4.24220 Snail Queen	159	 4.08503 Small Fish with Peep- holes, Floor, Bench	171	 4.90030 Elephant Bumba	189
 4.24180 Pig	151	 4.24230 Snail	161	 4.08502 Two Small Fish	173	 4.90040 Lion Leo	191
 4.24190 Mouse	151	 4.24235 Little Snail	161	 4.08501 Small Fish with Stain- less Steel incline	175		
 4.24210 Cat	151	 4.60010 ff. Stroking Stones	163 - 166	 4.08304 Big Fish	177		
 4.08100 Little Chicken	153	 4.24270 Wobbly Sheep	167	 4.08200 Big Chicken	179		
 4.08110 Little Fish	153	 4.24273 Wild Boar	167	 8.99210 Elephant	181		
 4.24150 Swinging Horse	155	 4.24173 Baby Elephant	169	 4.90000 Big Bird Platform	183		



Order No. 4.24250 Dancing Mice

Play value

The friendly look of the animal families gives a special atmosphere to a play area. This large play equipment allows for fun with movement, role play and understanding of the quantity units one to five, and is therefore a useful addition for small children's areas.

Fundamental characteristics

- child proportions according to ergonomic requirements
- careful use of colours
- unique design
- use of wood for visual perception
- incentive for playing: mother-child-situation, small-big, coloured holding grips and connecting ropes
- movement: moving one's centre of gravity, sitting, crawling, pushing, gentle up and down movement of duck and chicken mother, rotating movement of mouse mother

Suitable

- for small children's areas of:
 - public playgrounds
 - playgrounds near houses
 - nurseries
 - children's homes
 - camp sites



Order No. 4.24240 Duck Family

**Duck Family
Dancing Mice
Chicken Family**



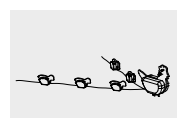
Order No. 4.24260 Chicken Family



4.24240

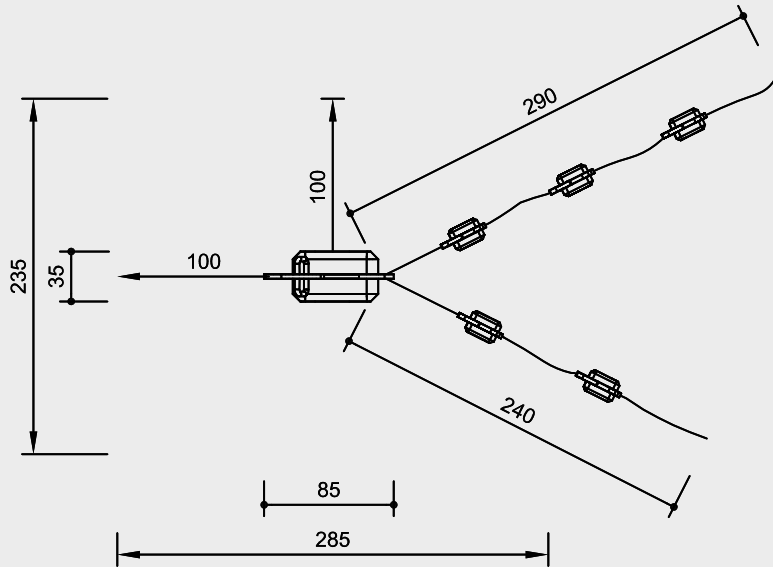
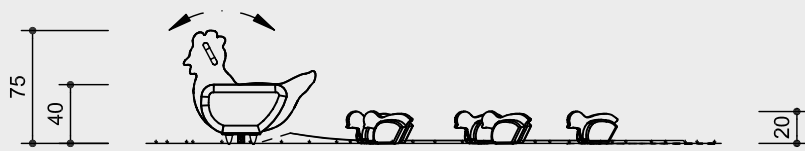


4.24250

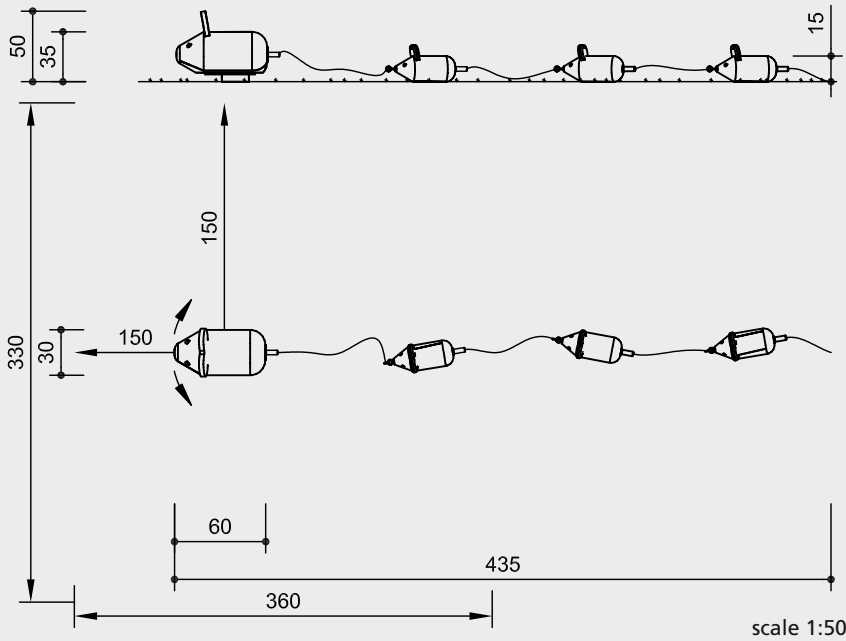


4.24260

Order No. 4.24240 Duck Family
Order No. 4.24260 Chicken Family



Order No. 4.24250 Dancing Mice



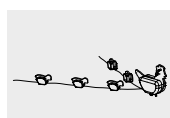
Safety check according to EN 1176



4.24240



4.24250



4.24260

Attention:
Exact measurements may vary, for all installation dimensions refer to current installation instructions.
 Technical changes reserved.

Technical information

core-free
 animal bodies made of non-impregnated mountain larch, core-free, by that formation of cracks can be reduced



plywood
 duck, chicken and ears of the mouse made of three-layer waterproof plywood of larch, 30 mm



Corocord®rope
special ropes of "Hercules type"
 connecting ropes of six-strand Corocord® rope of the special "Hercules type", abrasion protected through heating of the six steel strands and melting the polyamide sleeve onto them, standard colour rainbow



relief cut (only Order No. 4.24250)
 parts which are not core-free have a kerf sawn at a suitable section of the trunk to pre-empt cracks that would form naturally or a bore hole as relief



colour
 colouring with solvent-free acrylic paints; the wood is processed in a way that allows the structure of the wood to remain clearly visible

rocking and turning mechanism and fixings hot-dip galvanised

foundation timbers of oak wood

Dimensions

(small deviations possible)

Order No. 4.24240 Duck Family

Order No. 4.24260 Chicken Family

overall length 3.75 m

mother width 0.35 m

sitting height 0.40 m

weight 135 kg

Order No. 4.24250 Dancing Mice

overall length 4.35 m

mother length 0.60 m

width 0.30 m

sitting height 0.35 m

weight 130 kg

Components

Order No. 4.24240 Duck Family

Order No. 4.24260 Chicken Family

1 big animal mother

with rocking mechanism

5 ducklings, threaded on Corocord®

ropes

1 pre-fabricated foundation

2 foundation timbers

Order No. 4.24250 Dancing Mice

1 big mother with turning mechanism

3 little mice, threaded on Corocord®

ropes

1 pre-fabricated foundation

1 foundation timber

Installation information

Surfacing requirements

corresponding to a fall height of

≤ 0.60 m (please refer to price list

for more detailed information)

Foundations

1 pre-fabricated foundation delivered

with equipment

1 or 2 foundation timbers for digging in

Recommendation

When installed in loose ground, the

pre-fabricated concrete foundation

should be covered durably, e.g. with

safety tiles.

For more detailed explanation of the quality characteristics see price list.



Order No. 4.24180 Pig

Play value

The friendly wooden animals can be used in versatile ways and are an enjoyable and appealing design element in the area for the smallest children. They can be used as seats or as something to hold onto, as well as being incorporated into role-play games. Their emotional appeal also serves as a basis for creating memories and encourages the child to develop a relationship to the play area.

Fundamental characteristics

- child-oriented dimensions
- emotionally appealing design: chunky, friendly bodies, whiskers
- experience: large, thick trunks with natural phenomena such as year rings, branches, cracks, etc.

Suitable

- for small children's areas of:
 - public playgrounds
 - playgrounds situated near houses
 - children's homes
 - kindergartens
- nurseries

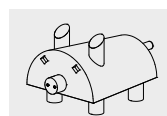


Order No. 4.24210 Cat

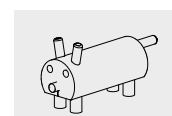


Order No. 4.24190 Mouse

**Pig
Mouse
Cat**



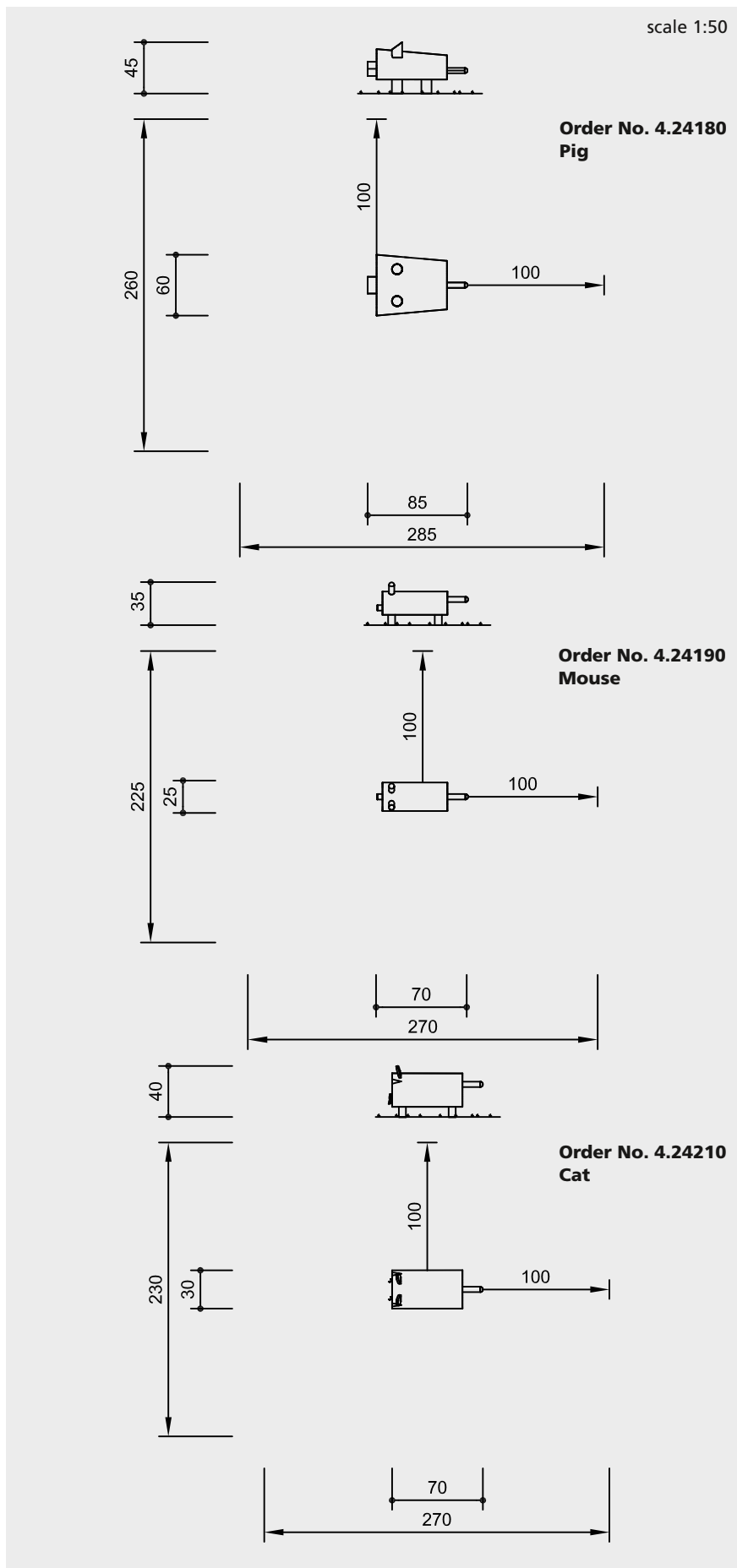
4.24180



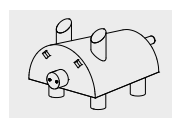
4.24190



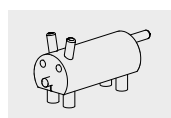
4.24210



Safety check according to EN 1176



4.24180



4.24190



4.24210

Technical information

de-barked timber

timbers de-barked, made of impregnated mountain larch



ground anchor

all parts used for anchoring to the ground made of hot-dip galvanised steel



chains

short-link chains, 6 mm, welded before hot-dip galvanisation (stainless steel chain available on request)



relief cut

(only 4.24190 and 4.24210)

parts which are not core-free (Mouse, Cat) have a kerf sawn at a suitable section of the trunk to pre-empt cracks that would form naturally or a bore hole as relief



Dimensions

(small deviations possible)

Order No. 4.24180 Pig

height 0.45 m
length 0.85 m
width 0.60 m
weight 40 kg

Order No. 4.24190 Mouse

height 0.35 m
length 0.70 m
width 0.25 m
weight 17 kg

Order No. 4.24210 Cat

height 0.40 m
length 0.70 m
width 0.30 m
weight 25 kg

Components

Order No. 4.24180

1 Pig

Order No. 4.24190

1 Mouse

Order No. 4.24210

1 Cat

each with foundation chain and foundation iron

Installation information

Surfacing requirements corresponding to a fall height of ≤ 0.60 m

(please refer to price list for more detailed information)

Foundations

(only necessary in order to immobilise the equipment)
1 item 30 x 30 x 20 cm
excavation depth 50 cm

Attention:

Exact measurements may vary, for all installation dimensions refer to current installation instructions.

Technical changes reserved.

For more detailed explanation of the quality characteristics see price list.

Play value

The likeable appeal of the animals plays a role in creating a play environment which is favourable for small children. They are mainly used to ride upon. A slight rocking motion can be created by a shift in weight.



Order No. 4.08100 Little Chicken



Order No. 4.08110 Little Fish

Fundamental characteristics

- child-oriented dimensions
- friendly appearance
- natural wooden surface which appeals to the senses
- coloured design
- movement: climbing, riding

Suitable

- for small children's areas of:
 - public playgrounds
 - kindergartens
 - playgrounds situated near houses
 - children's homes
 - therapy institutions for children
 - camp sites
- nurseries

**Little Chicken
Little Fish**
with pre-fabricated
concrete foundation

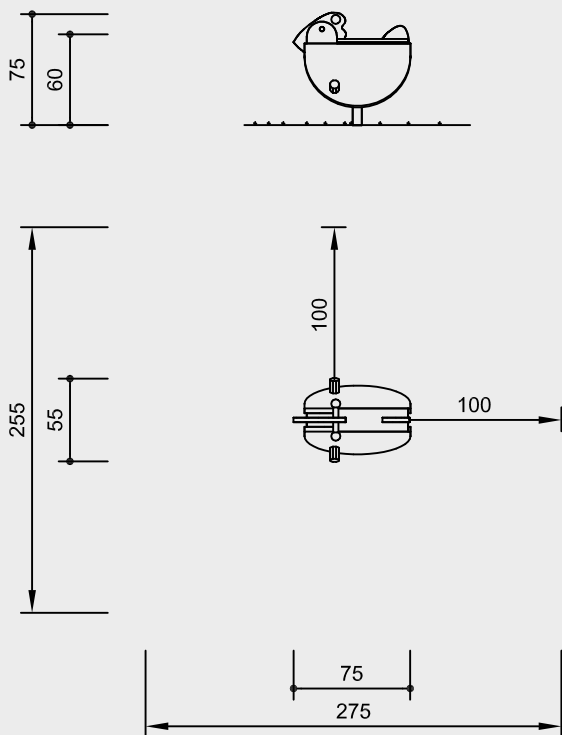


4.08100

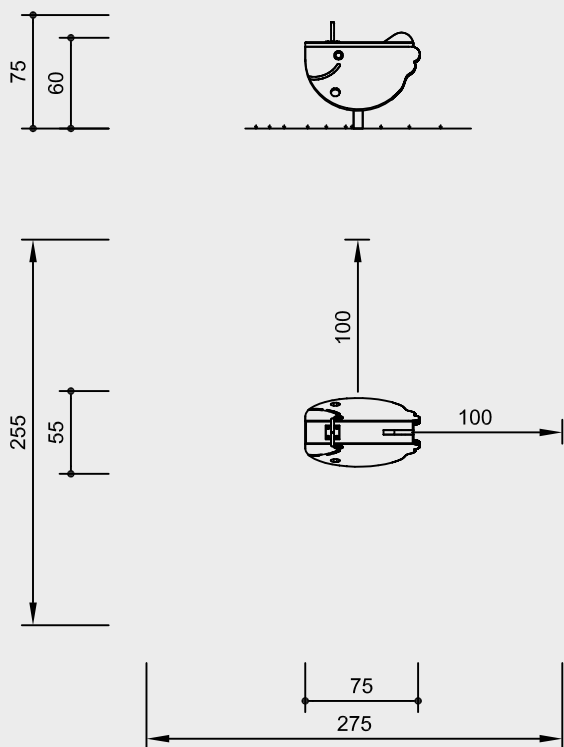


4.08110

Order No. 4.08100 Little Chicken



Order No. 4.08110 Little Fish



scale 1:50

Technical information

equipment made of non-impregnated mountain larch

core-free
sawn timbers core-free, thus decreasing the occurrence of cracking



plywood
shaped components made of water-proof larch plywood board, 30 mm



brass bush
for all to and fro movements we use bush bearings which allow for self-lubrication while in use and which can be easily exchanged in case of need



colour
solvent-free acrylic paints are used for colouring; the wood is painted in a way which allows the structure of the wood to remain clearly visible

see-saw mechanism hot-dip galvanised

Dimensions
(small deviations possible)

height	0.75 m
seat height	0.60 m
length	0.75 m
width	0.55 m
weight	140 kg

Components

- 1 animal body, mounted on hot-dip galvanised see-saw mechanism
- 1 pre-fabricated concrete foundation

Installation information

Surfacing requirements corresponding to a fall height of ≤ 0.60 m (please refer to price list for more detailed information)

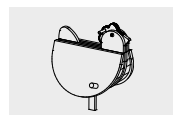
Foundations excavation for pre-fabricated foundation 0.45 x 0.95 x 0.20 m

Recommendation
When installed in loose ground, the pre-fabricated concrete foundation should be covered durably, e.g. with safety tiles.

Attention:
Exact measurements may vary, for all installation dimensions refer to current installation instructions.
Technical changes reserved.

For more detailed explanation of the quality characteristics see price list.

Safety check according to EN 1176



4.08100



4.08110

Play value

The Swinging Horse makes a swinging and rocking movement possible for little ones. Through the strength of the rider a harmonious rocking cycle results which cannot be compared to ordinary upward and downward movement.

Fundamental characteristics

- child proportions according to ergonomic requirements
- natural wooden surface which appeals to the senses
- defined swinging direction through leaf spring, no turning movement
- incentive for playing: horse body
- movement: riding, moving one's centre of gravity

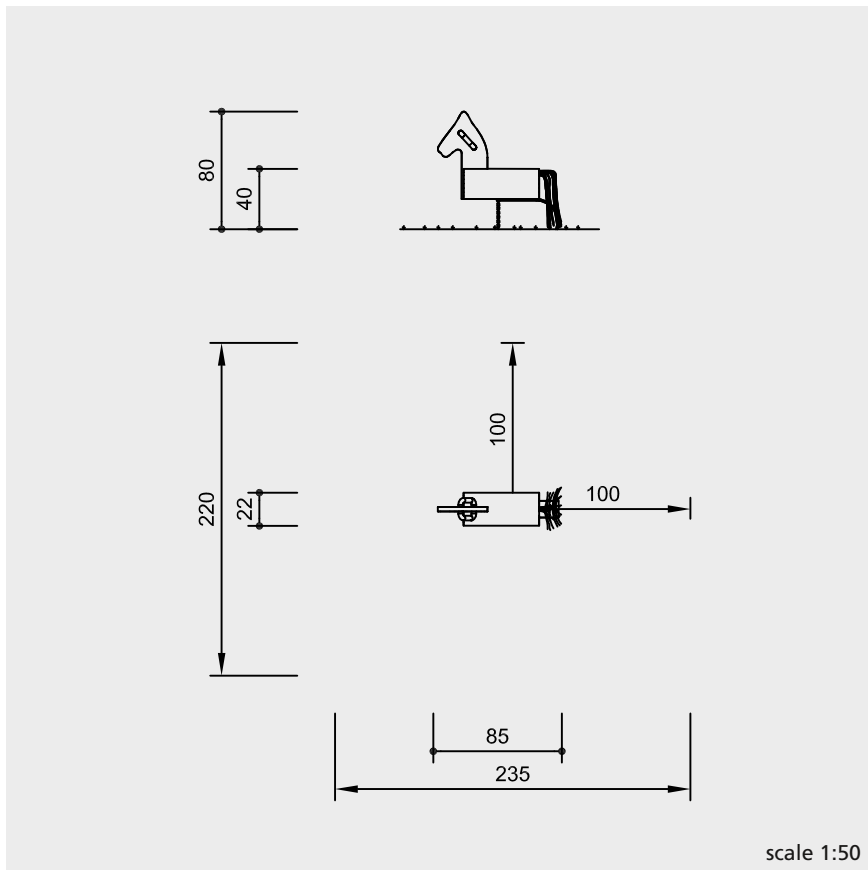
Suitable

- for children from 3 years
- for small children's areas of public playgrounds
- playgrounds situated near houses
- children's homes
- nurseries
- camp sites



Swinging Horse





Safety check according to EN 1176

Components

1 horse body, mounted on leaf spring

Pre-fabricated concrete foundation available, see **Order No. 4.24160** in the price list.

Installation information

Surfacing requirements corresponding to a fall height of ≤ 0.60 m (please refer to price list for more detailed information)

Foundations
1 item 30 x 50 x 20 cm
excavation depth 30 cm

Recommendation

When installed in loose ground, the pre-fabricated concrete foundation should be covered durably, e.g. with safety tiles.

Attention:

Exact measurements may vary, for all installation dimensions refer to current installation instructions.

Technical changes reserved.

Technical information

de-barked

de-barked post, Ø 22 cm, of non-impregnated mountain larch



plywood

three-layer waterproof plywood of mountain larch, 30 mm



chains

chains, 6 mm, welded before hot-dip galvanisation (stainless steel chains available on request)



relief cut

parts which are not core-free have a kerf sawn at a suitable section of the trunk to pre-empt cracks that would form naturally or a bore hole as relief



leaf spring sand-blasted, hardened and plastic coated

grips of polyamide

Dimensions

(small deviations possible)

total height	0.80 m
height seat	0.40 m
length	0.85 m
width	0.22 m
leaf spring	100 x 8 mm
weight	25 kg

For more detailed explanation of the quality characteristics see price list.



4.24150



Play value

The abstracted shape of the sheep is no problem for children. At once, they recognize them as standing and resting sheep by their posture, the expression of their faces and the characteristic look of their ears. The sheep become part of role play, they are used for riding or as alternative seats. When they are installed in a group, the play area gets a friendly, warm atmosphere.

Fundamental characteristics

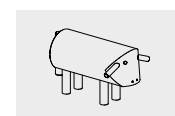
- appealing, child-orientated design
- tactile experience of wood
- abstracted design
- incentive for playing: friendly appearance, ears

Suitable

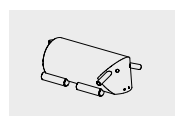
- for small children's areas of:
 - public playgrounds
 - playgrounds situated near houses
 - nurseries
 - children's homes



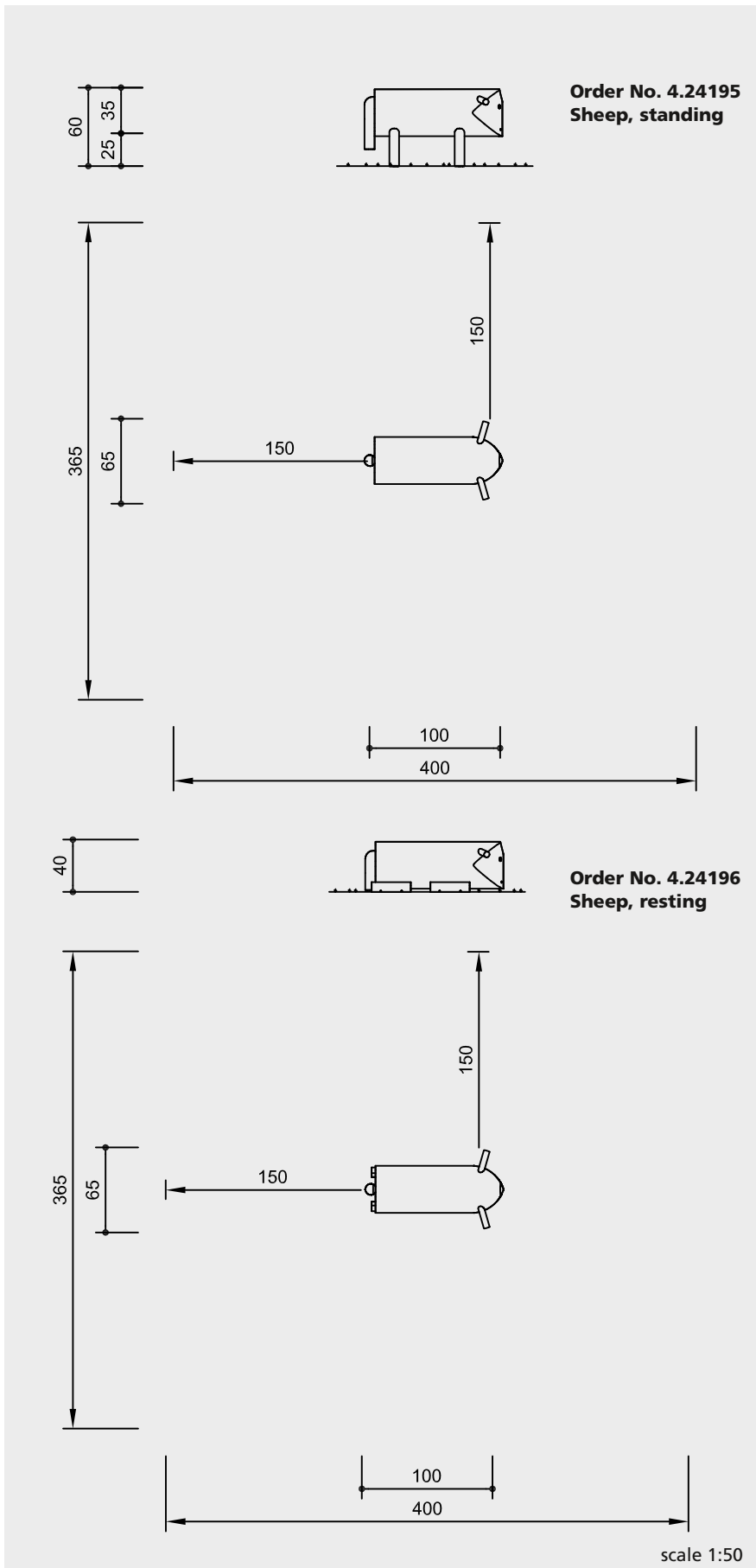
Sheep, standing
Sheep, resting



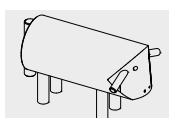
4.24195



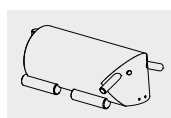
4.24196



Safety check according to EN 1176



4.24195



4.24196

Technical information

de-barked

timbers de-barked, of non-impregnated mountain larch



ground anchor

all parts used for anchoring to the ground made of hot-dip galvanised steel



relief cut

parts which are not core-free have a kerf sawn at a suitable section of the trunk to pre-empt cracks that would form naturally or a bore hole as relief



Dimensions

(small deviations possible)

height	
sheep, standing	0.60 m
sheep, resting	0.40 m
length	1.00 m
width	0.65 m
weight	
sheep, standing	80 kg
sheep, resting	75 kg

Components

Order No. 4.24195 Sheep, standing

- 1 sheep, standing
- 4 foundation irons

Order No. 4.24196 Sheep, resting

- 1 sheep, resting
- 2 foundation irons

Installation information

Surfacing requirements corresponding to a fall height of ≤ 0.60 m (please refer to price list for more detailed information)

Foundations (only necessary to immobilise the equipment)

Order No. 4.24195 Sheep, standing

2 items 30 x 50 x 30 cm excavation depth 50 cm

Order No. 4.24196 Sheep, resting

2 items 30 x 30 x 30 cm excavation depth 50 cm

Attention:

Exact measurements may vary, for all installation dimensions refer to current installation instructions.

Technical changes reserved.

For more detailed explanation of the quality characteristics see price list.



Play value

The appearance of the Snail Queen has a strong attractive force for small children. It can be used for riding or integrated into a role play situation. The Snail Queen creates a cosy atmosphere and helps to shape a small children's area in a friendly way.

Fundamental characteristics

- child proportions according to ergonomic requirements
- agreeable design
- use of wood which appeals to the senses
- incentive for playing: horns, eyes, snail shell
- movement: defined pendulum movement, moving one's centre of gravity

Suitable

- for older than, but also suitable for children under 3 years
- for small children's areas of:
 - public playgrounds
 - playgrounds situated near houses
 - children's homes
- nurseries
- camp sites



Snail Queen

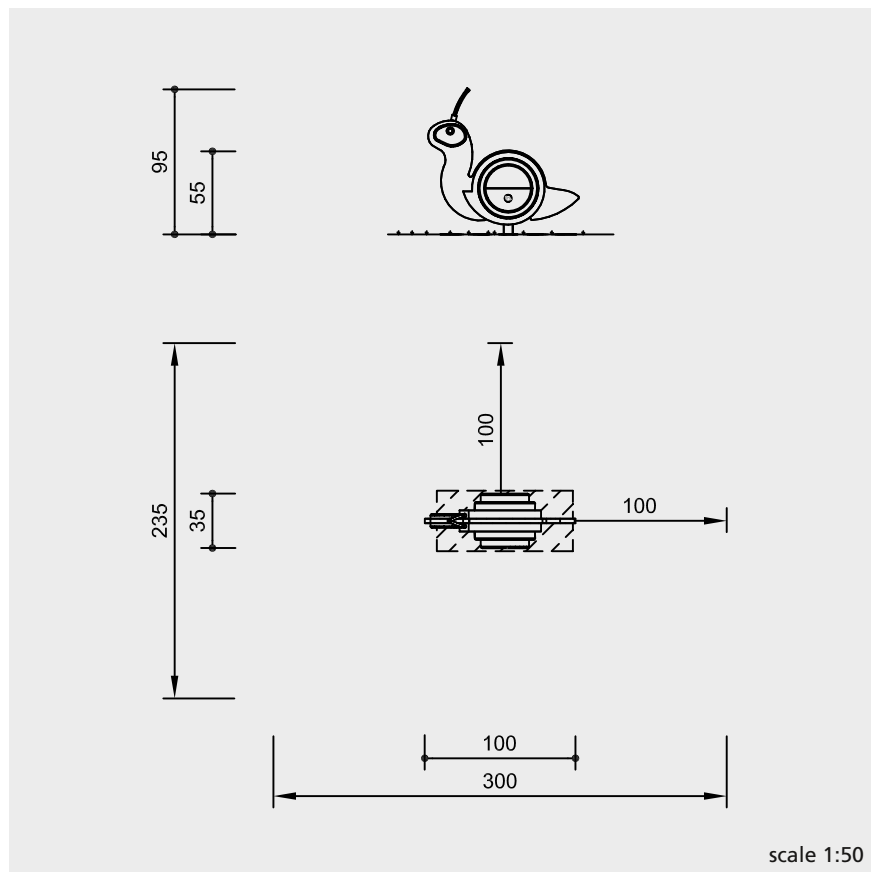


© Richter Spielgeräte GmbH 10/15

Design and Copyright



4.24220



Safety check according to EN 1176

Components

- 1 snail body, mounted onto a galvanised rocking mechanism
- 1 pre-fabricated concrete foundation

Installation information

Surfacing requirements corresponding to a fall height of $\leq 0,60$ m (please refer to price list for more detailed information)

Foundations excavation for pre-fabricated foundation 0.45 x 0.95 x 0.20 m

Recommendation

When installed in loose ground, the pre-fabricated concrete foundation should be covered durably, e.g. with safety tiles.

Attention:

Exact measurements may vary, for all installation dimensions refer to current installation instructions.

Technical changes reserved.

Technical information

core-free

snail-shell of non-impregnated mountain larch, core-free, by that formation of cracks can be reduced



plywood

snail body of three-layer waterproof plywood of larch, 30 mm



Corocord® rope special ropes of "Hercules type"

horns of Corocord® rope of the special "Hercules type", abrasion protected through heating of the six steel strands and melting the polyamide sleeve onto them, standard colour rainbow



brass bush

for all to and fro movements we use bush bearings which allow for self-lubrication while in use and which can be easily exchanged in case of need



equipment in natural colour, protected with linseed oil

rocking mechanism hot-dip galvanised

Dimensions

(small deviations possible)

height	0.95 m
sitting height	0.55 m
length	1.00 m
weight	130 kg

For more detailed explanation of the quality characteristics see price list.



4.24220

Play value

Our big and small snails are versatile and attractive design elements especially suited for the small children's area. The friendly animals can be used as comfortable seats or just to hold onto lovingly. Often, they will be integrated into role-play games. Due to their emotional appeal, they also act as identifying features that help children to develop a connection to the playground.



© Richter Spielgeräte GmbH 10/15

Fundamental characteristics

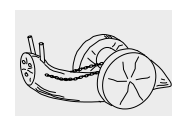
- child-oriented dimensions according to ergonomic knowledge
- emotionally appealing design
- chunky body
- experience: large, thick trunks with natural phenomena such as year rings and branches

Suitable

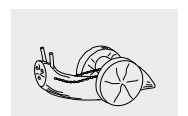
- for older children but also for children under 3 years old
- for small children's areas of:
 - public playgrounds
 - play spaces situated near houses
 - children's homes
 - child therapy centres
 - leisure areas
 - kindergartens
- day nurseries

**Snail
Little Snail**

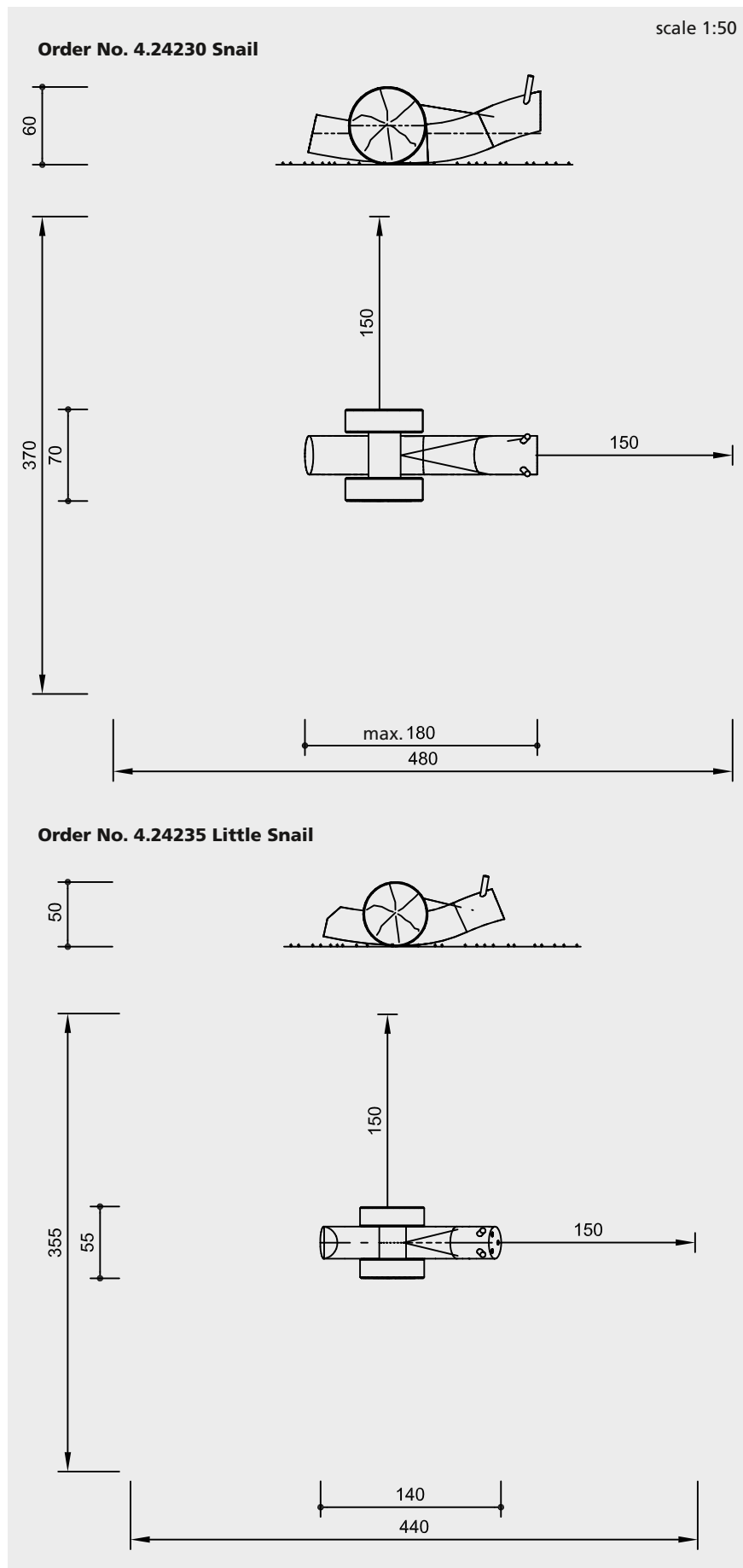
Design and Copyright



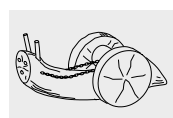
4.24230



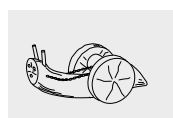
4.24235



safety check according to EN 1176



4.24230



4.24235

Technical information

de-barked

trunks de-barked posts, of non-impregnated mountain larch



ground anchor

all parts used for anchoring to the ground made of hot-dip galvanised steel



chains

short-link chains, 6 mm, welded before hot-dip galvanisation (stainless steel chain available on request)



relief cut

round timbers which are not core-free have a relief cut or bore hole to prevent cracks from occurring in an arbitrary place



Dimensions

(small deviations possible)

Order no. 4.24230 Snail

height	0.60 - 0.70 m
length	1.70 - 1.80 m
weight	200 kg

Order No. 4.24235 Little Snail

height	0.50 m
length	1.40 m
width	0.55 m
weight	150 kg

Components

- 1 snail
- 2 foundation irons

Installation information

Surfacing requirements corresponding to a fall height of ≤ 0.60 m (please refer to price list for more detailed information)

Foundations (only necessary in order to immobilise the equipment)
 1 item 50 x 30 x 50 cm
 excavation depth 50 cm

Attention:
Exact measurements may vary, for all installation dimensions refer to current installation instructions.
 Technical changes reserved.

Please refer to the price list for a more detailed explanation of the quality characteristics.

Play value

The gentle nature of these play and art figures and their quiet expressions create an atmosphere of peace which facilitates a friendly encounter with the animals. The stone animals are ideal to stroke, touch and feel or incorporated into role-play games. Play figures such as these strengthen the identity of an area.

Fundamental characteristics

- child-oriented dimensions
- natural colours
- high-quality design
- special concrete with ground granite
- incentive for playing: animals with a friendly appearance
- movement: climbing, sitting, stroking

Suitable

- for small children's areas of:
 - public playgrounds
 - playgrounds situated near houses
 - kindergartens
 - children's homes
 - therapy institutions for children
 - pedestrian areas, parks
 - market squares and piazzas
- nurseries

Barrier-free - independent play



Order No. 4.70070 Small Turtle, concrete grey



Order No. 4.71070 Small Resting Cat, concrete grey



Order No. 4.69060 Bear, charcoal



Order No. 4.65020 Pony, brown



Order No. 4.68060 Chicken, charcoal



Order No. 4.60170 Seal, concrete grey



Order No. 4.62050 Resting Cat, sand



Order No. 4.73020 Lop-eared Rabbit, brown

Stroking Stones

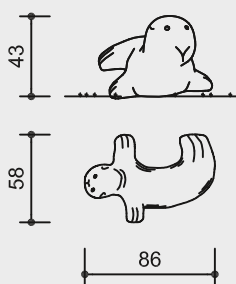
Note

Original colours may deviate from the colours in the pictures.

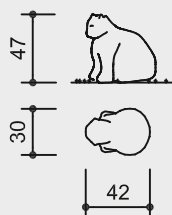


4.60010 - 4.73070

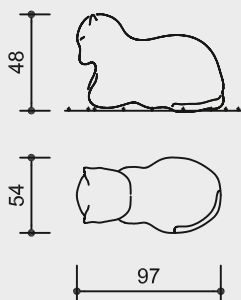
**Order No. 4.60110 -
4.60170 Seal**



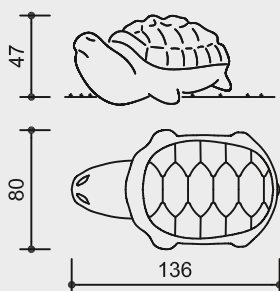
**Order No.4.61010 -
4.61070 Small Sitting Cat**



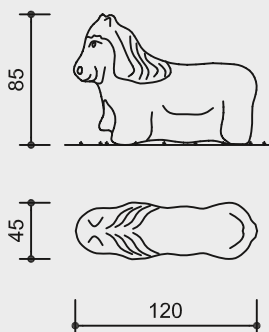
**Order No. 4.62010 -
4.62070 Resting Cat**



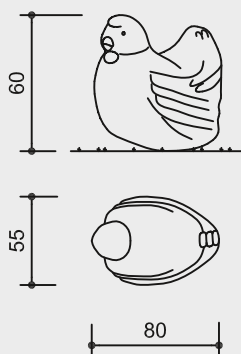
**Order No. 4.64010 -
4.64070 Turtle**



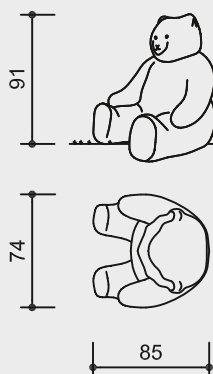
**Order No. 4.65010 -
4.65070 Pony**



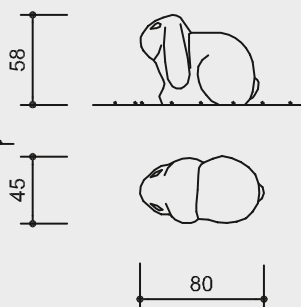
**Order No. 4.68010 -
4.68070 Chicken**



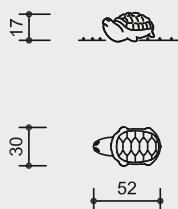
**Order No. 4.69010 -
4.69070 Bear**



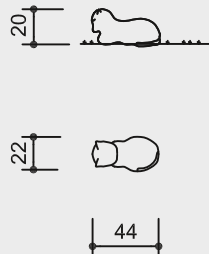
**Order No. 4.73010 -
4.73070 Lop-eared Rabbit**



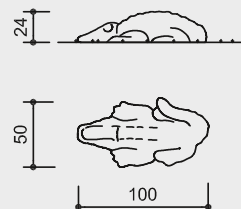
**Order No. 4.70010 -
4.70070 Small Turtle**



**Order No. 4.71010 -
4.71070 Small Resting Cat**



**Order No. 4.72010 -
4.72070 Small Crocodile**



scale 1:50

Technical information

All sculptures are made from special concrete with ground granite, the surface is painted, but not coloured through. Slight irregularities and the formation of bubbles can occur when processing concrete due to conditions of production. The colour examples displayed should be understood as approximate values. Discolorations and shading are possible. Moreover, slight lime bloom cannot be entirely ruled out.

Standard colours



Colour samples are for guidance only, the actual colours will be slightly different!

Dimensions

(small deviations possible)

Order No.	height	width	length
4.60110	0.43 m	0.58 m	0.86 m
4.61010	0.47 m	0.30 m	0.42 m
4.62010	0.48 m	0.54 m	0.97 m
4.64010	0.47 m	0.80 m	1.36 m
4.65010	0.85 m	0.45 m	1.20 m
4.68010	0.60 m	0.55 m	0.80 m
4.69010	0.91 m	0.74 m	0.85 m
4.70010	0.17 m	0.30 m	0.52 m
4.71010	0.20 m	0.22 m	0.44 m
4.72010	0.24 m	0.50 m	1.00 m
4.73010	0.58 m	0.45 m	0.80 m

Order No. weight (without box)

4.60110	115 kg
4.61010	75 kg
4.62010	325 kg
4.64010	519 kg
4.65010	450 kg
4.68010	300 kg
4.69010	580 kg
4.70010	50 kg
4.71010	22 kg
4.72010	125 kg
4.73010	300 kg

Components

one stroking stone each, packed in one box

Installation information

Surfacing requirements
firm and level

Recommendation:

circumferential operational space 1.00 m

Foundations

Foundations are usually not necessary for the big animals due to their heavy weight. If required, threaded bushes have been cast into the underside of all stroking stones for the purpose of installation. Due to the heavy weight of the animals, it must be possible to access the location by means of lifting equipment.

Safety check according to EN 1176



4.60010 - 4.73070

Attention:

Exact measurements may vary, for all installation dimensions refer to current installation instructions.

Technical changes reserved.



Order No. 4.63010 Frog, yellow

Play value

The calm expression of the concrete sculptures produces a peaceful atmosphere which invites children to deal lovingly with animals and the environment. It is possible to involve the stone animals into role play activities. One can climb carefully on their back and sit or lie there. And what is even more important: to touch and feel the animals, to nestle up against them or to stroke them. They contribute in giving a distinctive character to a place, thus allowing the development of a local identity.

Fundamental characteristics

- child proportions according to ergonomic requirements
- natural colours
- agreeable design
- special concrete with ground granite
- incentive for playing: animals with a friendly appearance
- movement: climbing, sitting, stroking

Suitable

- for small children's areas of:
 - public playgrounds
 - playgrounds situated near houses
 - kindergartens
 - children's homes
 - therapy institutions for children
 - pedestrian areas, parks
 - market squares and piazzas
- nurseries

Barrier-free - independent play



Order No. 4.66060 Dog, charcoal

Stroking Stones

Note

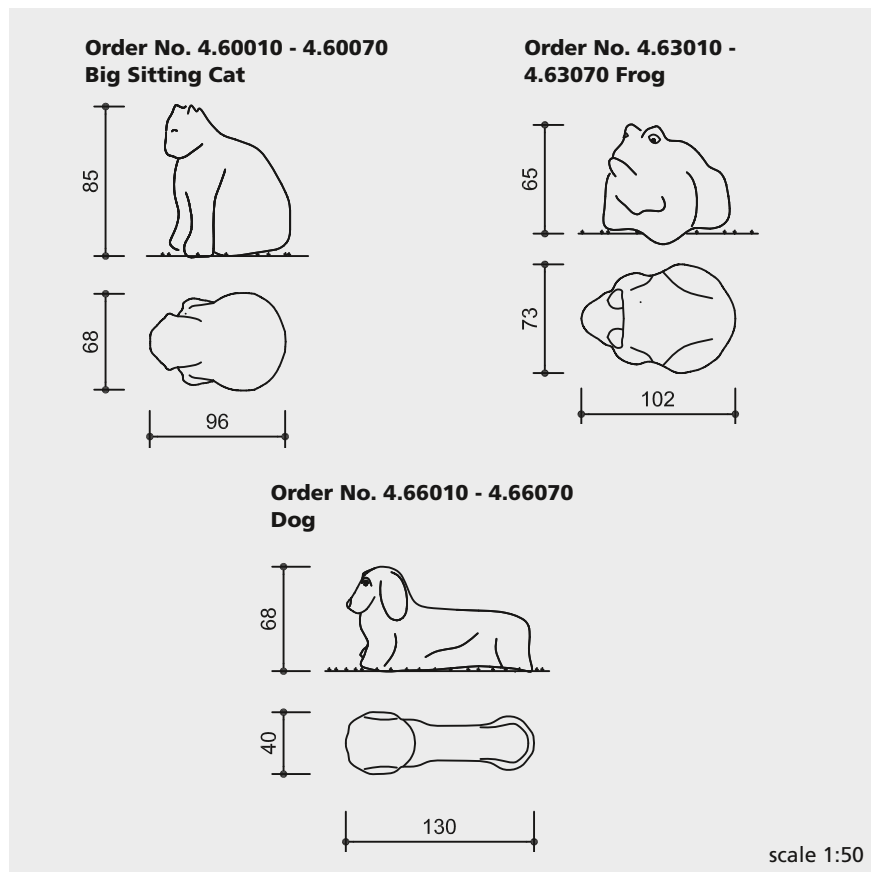
Original colours may deviate from the colours in the pictures.



Order No. 4.64010 Turtle, yellow



4.60010 - 4.73070



Safety check according to EN 1176

Technical information

All sculptures are made from special concrete with ground granite, the surface is painted, but not coloured through. Slight irregularities and the formation of bubbles can occur when processing concrete due to conditions of production. The colour examples displayed should be understood as approximate values. Discolorations and shading are possible. Moreover, slight lime bloom cannot be entirely ruled out.

Standard colours



Colour samples are for guidance only, the actual colours will be slightly different!

Dimensions

(small deviations possible)

Order No.	Height	Width	Length
4.60010	0.85 m	0.68 m	0.96 m
4.63010	0.65 m	0.73 m	1.02 m
4.66010	0.68 m	0.40 m	1.30 m

Order No. Weight (without box)

4.60010	570 kg
4.63010	440 kg
4.66010	450 kg

Components

one stroking stone each, packed in one box

Installation information

Surfacing requirements
firm and level

Recommendation:
circumferential operational space 1.00 m

Foundations
Foundations are usually not necessary for the big animals due to their heavy weight. If required, threaded bushes have been cast into the underside of all stroking stones for the purpose of installation.
Due to the heavy weight of the animals, it must be possible to access the location by means of lifting equipment.

Attention:

Exact measurements may vary, for all installation dimensions refer to current installation instructions.

Technical changes reserved.



4.60010 - 4.73070

Play value

The artist took hold of the subjects sheep and flock on different levels and abstracted it with flair. The thick, shaggy wool, the softly shaped ears and the gawky feet of a sheep are transposed as well as the patient and humble appearance which a sheep has while grazing. Even if the movement does not immediately bring to mind an association with sheep, the fine, wobbling of the body reflects the undulations of a walking flock. When standing in a group, these art objects evoke associations with flocks of sheep, unity in variety, and even - due to successful abstraction - one's relationship with nature. The sheep is equally suitable for an artistically designed play point in urban environments. In leisure areas, the animals can be used as amusing, alternative seats for young and old, which promote relaxation and ease by their movement. Children's spaces get an unmistakable identity from a flock of sheep.

Fundamental characteristics

- Art Play
- incentive for playing: friendly appearance, animal
- movement: climbing, sitting, little wobble effect

Suitable

- for children from 3 years
- for public playgrounds
playgrounds situated near houses
nurseries
children's homes
therapy institutions for children
pedestrian zones, parks
market squares



Order No. 4.24273 Wild Boar



Order No. 4.24270 Wobbly Sheep



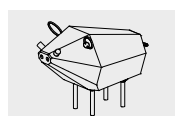
**Wobbly Sheep
Wild Boar**

Copyright © Richter Spielgeräte GmbH 10/15

Design M. Lehner

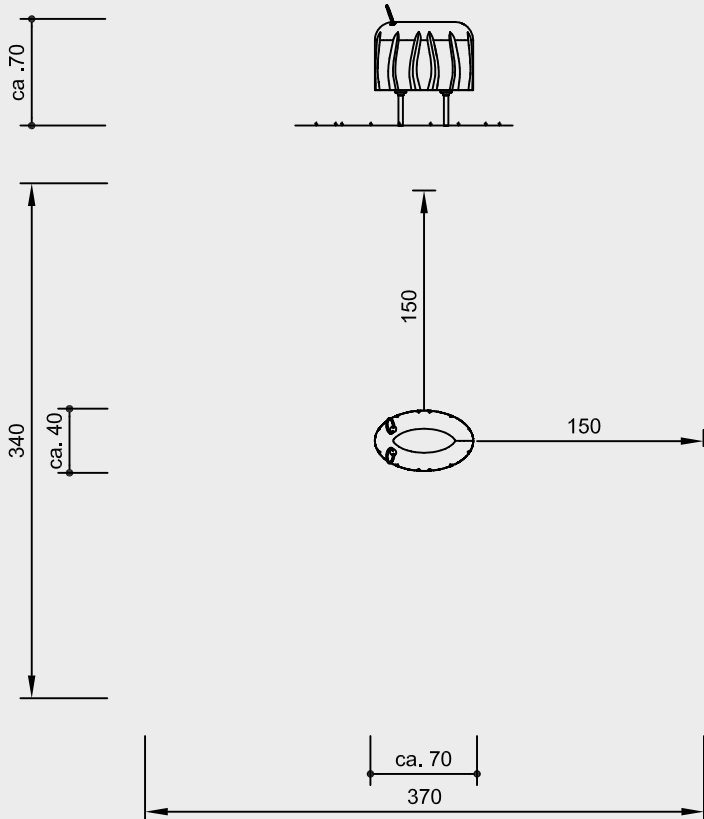


4.24270

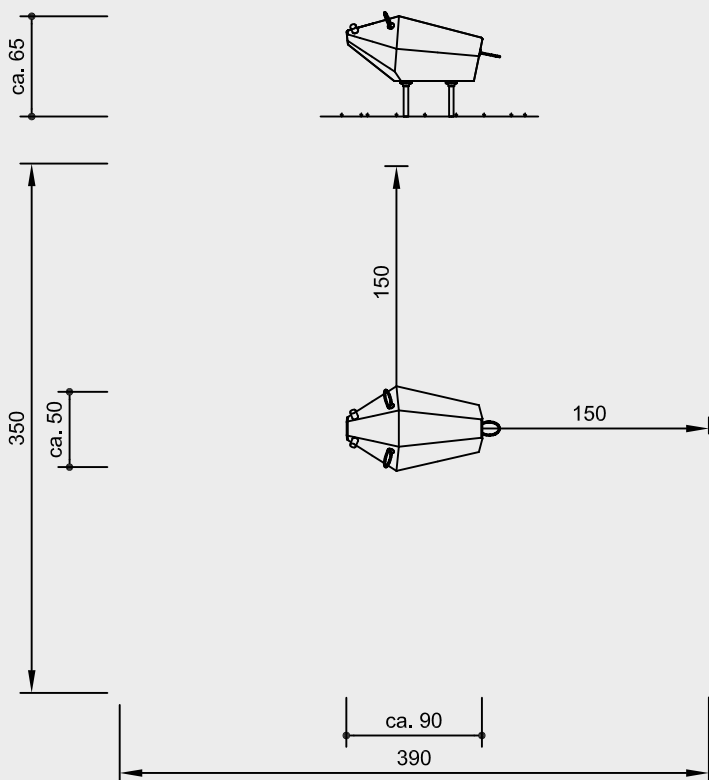


4.24273

**Order No. 4.24270
Wobbly Sheep**

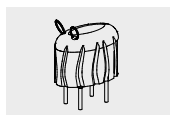


**Order No. 4.24273
Wild Boar**

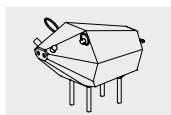


scale 1:50

Safety check according to EN 1176



4.24270



4.24273

Technical information

Body of solid poplar wood, worked on by hand, boiler pressure impregnated according to DIN 68800-3, use class 4

**Corocord® rope
special ropes of "Hercules type"**

ears of Corocord® rope of the special "Hercules type", abrasion protected through heating of the six steel strands and melting the polyamide sleeve onto them, standard colour natural



bearing: rubber-metal connection only intended for gentle movement

Dimensions

(every animal is unique, the indications of the measurements may vary)

Order No. 4.24270 Wobbly Sheep

length	0.70 m
height	0.70 m
width	0.40 m
weight	125 kg

Order No. 4.24273 Wild Boar

length	0.90 m
height	0.65 m
width	0.50 m
weight	140 kg

Components

1 animal with wobbling mechanism, in various sizes, with ground anchor of steel

Installation information

Surfacing requirements corresponding to a fall height of ≤ 1.00 m (please refer to price list for more detailed information)

Foundations excavation depth for ground anchor 85 x 70 x 50 cm

Attention:

Exact measurements may vary, for all installation dimensions refer to current installation instructions.

Technical changes reserved.

For more detailed explanation of the quality characteristics see price list.



Order No. 4.24175 Lion

Play value

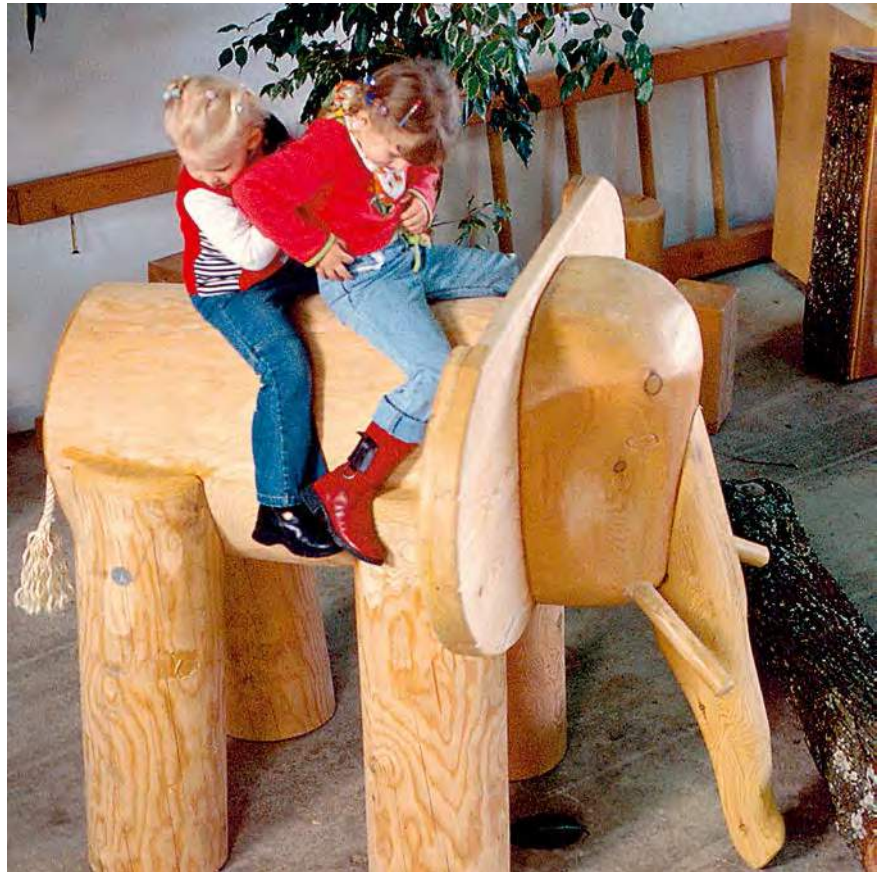
Our three artistically designed animal babies, Lion, Elephant and Rhinoceros, create a friendly atmosphere and are instantly accepted by children. Without needing any encouragement at all, they immediately play riding games, pat their faces and pull on their tails. Play sculptures such as these are particularly well suited to accentuate children's worlds and strengthen the identity of a space. These installations create a welcoming atmosphere for entrance areas to kindergartens, children's hospitals and similar institutions.

Fundamental characteristics

- very special appeal
- eye-catcher of a play area
- attractive meeting point
- incentive for playing: curiosity, role-playing games, experiencing closeness
- exercise activity: climbing up

Suitable

- for children from 3 years of age
- day nurseries
- kindergartens
- day-care centres
- children's homes
- playgrounds situated near houses
- public playgrounds
- parks
- exhibitions
- leisure parks



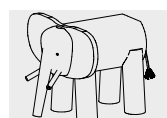
Baby Elephant
Lion
Rhinoceros



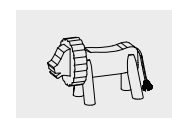
Order No. 4.24176 Rhinoceros

Copyright © Richter Spielgeräte GmbH 10/15

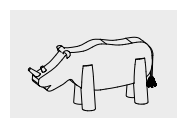
Design G. Beltzig



4.24173

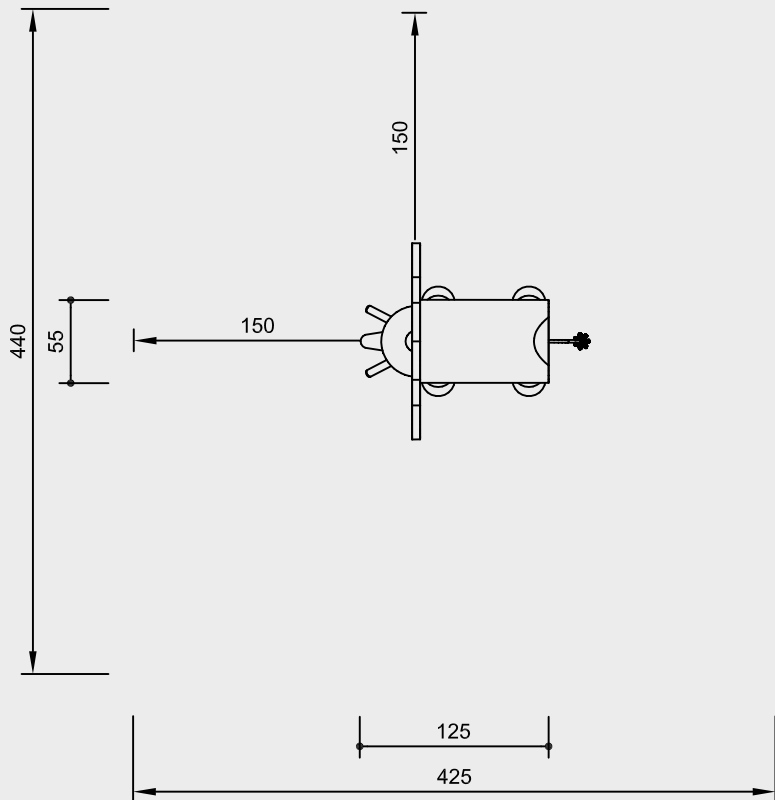
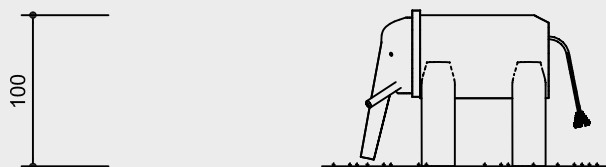


4.24175

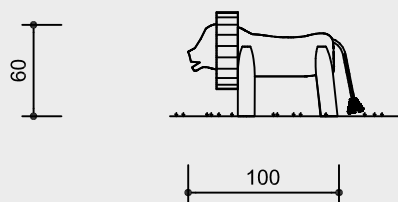


4.24176

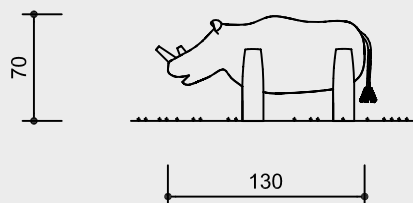
Order No. 4.24173 Baby Elephant



Order No. 4.24175 Lion

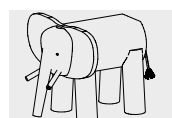


Order No. 4.24176 Rhinoceros

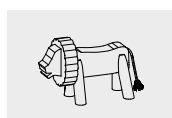


scale 1:50

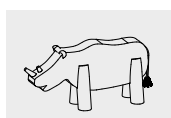
safety check according to EN 1176



4.24173



4.24175



4.24176

Technical information

equipment of non-impregnated mountain larch

de-barked

round logs de-barked



core-free timber

sawn timbers core-free, thus decreasing occurrences of cracking



plywood

elephant ears are made of five-layer waterproof plywood board 40 mm



ground anchor

all parts used for anchoring to the ground made of hot-dip galvanised steel



tail made of sisal rope, 4 strands, natural-coloured

Dimensions

(small deviations possible)

Order No. 4.24273 Baby Elephant

height	1.00 m
length	1.25 m
width	0.55 m
weight	200 kg

Order No. 4.24275 Lion

height	0.60 m
length	1.00 m
width	0.45 m
weight	60 kg

Order No. 4.24276 Rhinoceros

height	0.70 m
length	1.30 m
width	0.40 m
weight	100 kg

Components

1 animal and 4 foundation irons each

Installation information

Surfacing requirements corresponding to a fall height of ≤ 1.00 m (please refer to price list for more detailed information)

Foundations

Order No. 4.24273 Baby Elephant

2 items 90 x 30 x 30 cm excavation depth 50 cm

Order No. 4.24275 Lion

2 items 80 x 30 x 30 cm excavation depth 50 cm

Order No. 4.24276 Rhinoceros

1 item 90 x 60 x 30 cm excavation depth 50 cm

Attention:

Exact measurements may vary; for all installation dimensions refer to current installation instructions. Technical changes reserved.

Please refer to the price list for a more detailed explanation of the quality characteristics.



Play value

The Small Fish with the peepholes is a playing house which lends a special character to the playground. Its appearance and attractive decorative paintwork make it a popular attraction point for small children. The roof surface, which is open on both sides, has appealing peepholes set into it. The inside space is a meeting point as well as an area for play activities. Children can hide inside the tummy of the fish, keep a lookout or make themselves comfortable, just as if they were in a little house.

Fundamental characteristics

- attractive forms and colours
- the friendly fish as meeting point
- playing house with peepholes

Suitable

- for small children's areas of:
 - public playgrounds
 - playgrounds situated near houses
 - kindergartens/nurseries
 - children's homes
 - therapy institutions for children
 - camp sites
- nurseries

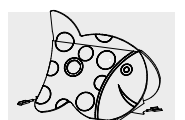


Small Fish
with Peepholes, Floor and Bench

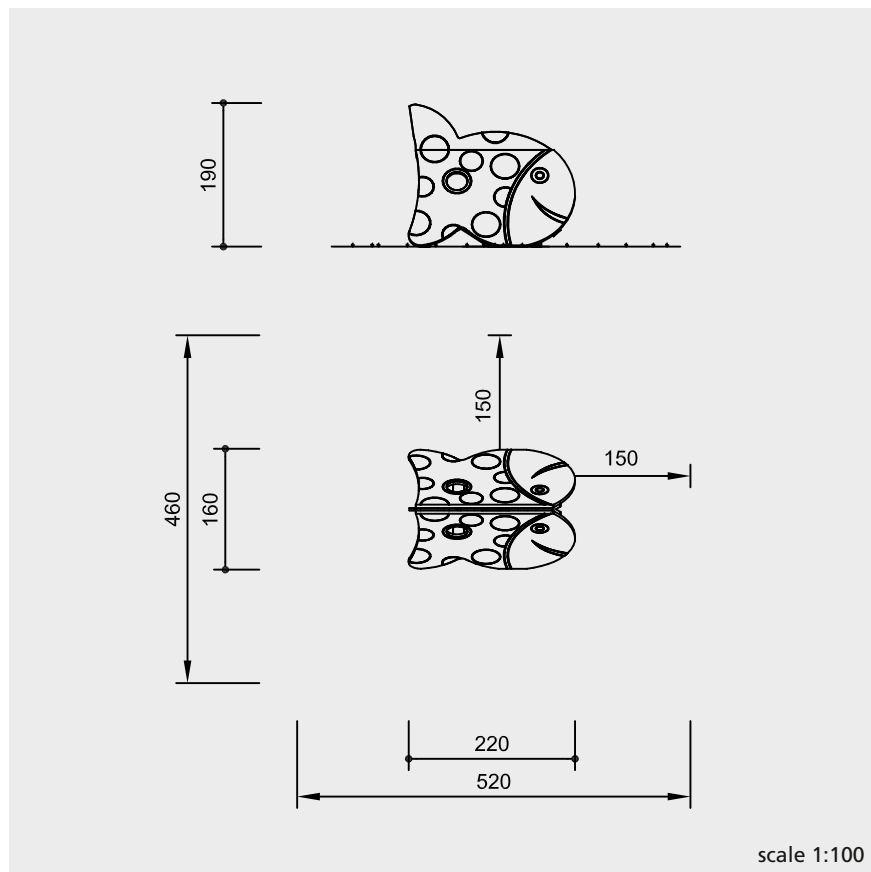


Copyright © Richter Spielgeräte GmbH 10/15

Design Dorband/Thiele



4.08503



Safety check according to EN 1176

Components

- 1 fish with floor and bench
- 2 shovels
- 4 foundation irons

Installation information

Surfacing requirements corresponding to a fall height of ≤ 0.60 m (please refer to price list for more detailed information)

Foundations
4 items 40 x 40 x 40 cm
excavation depth 60 cm

Attention:
Exact measurements may vary, for all installation dimensions refer to current installation instructions.
Technical changes reserved.

Technical Information

equipment of non-impregnated mountain larch

core-free timber
sawn timbers core-free, thus decreasing the occurrence of cracking



tongue and groove
side walls, floor and bench made of 40 mm tongue and groove boarding



plywood
fins made of three-layer waterproof plywood of larch, 30 mm



ground anchor
all parts used for anchoring to the ground made of hot-dip galvanised steel



colour
solvent-free acrylic paints are used for colouring; the wood is painted in a way which allows the structure of the wood to remain clearly visible

Dimensions
(small deviations possible)

height	1.90 m
length	2.20 m
width	1.60 m
weight	270 kg

For more detailed explanation of the quality characteristics see price list.



4.08503

Play value

The two lovingly designed small fish are an attractive meeting point for small children. The platform can be conquered by different ways and means. Steps, a ramp with or without climbing aids, and a sliding surface all entice the children to play. With a height of 60 cm, the platform is also the perfect place to practice those first jumps. The fish are playthings with the power to charm.



technical change at the posts

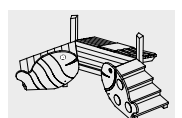
Fundamental characteristics

- lovingly designed
- platform for versatile playing
- practice object for crawling, running, jumping, rolling and climbing steps
- stainless steel incline

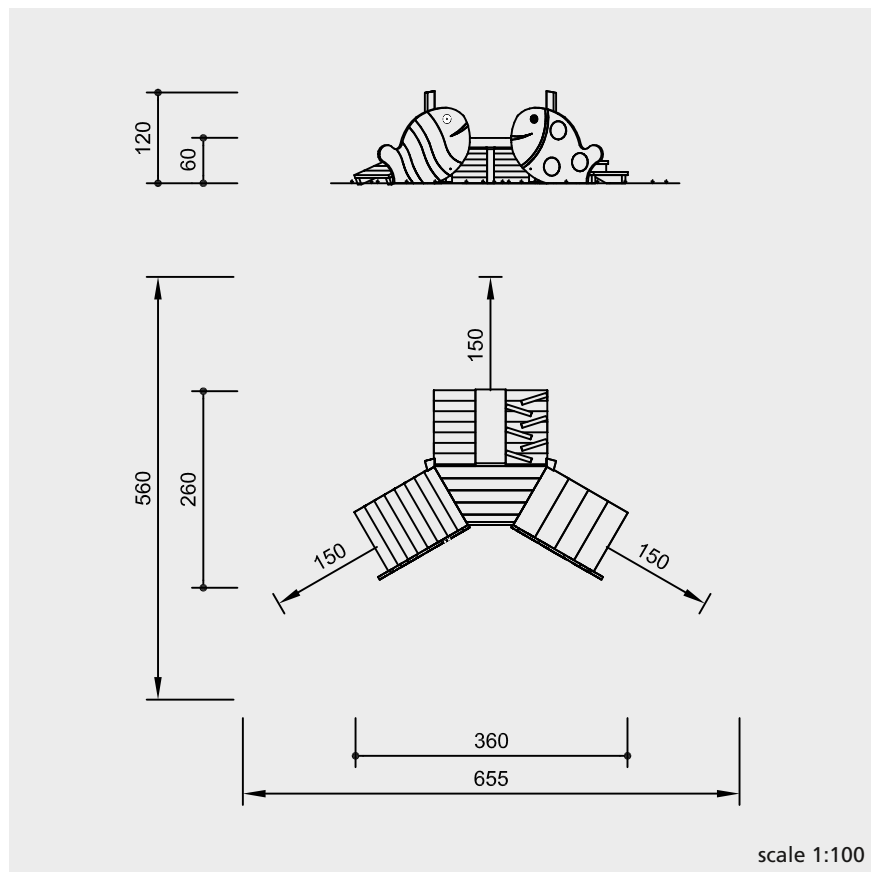
Suitable

- for small children's areas of:
 - public playgrounds
 - playgrounds situated near houses
 - kindergartens
 - children's homes
 - therapy institutions for children
 - camp sites
- nurseries

Two Small Fish
with Stainless Steel Incline, Ramp and Staircase



4.08502



Safety check according to EN 1176

Components

- 1 pedestal
- 1 staircase
- 1 ramp
- 1 ramp with stainless steel incline
- 2 side parts in the shape of a fish
- 2 stand posts with steel feet
- 8 foundation irons

Installation information

Surfacing requirements corresponding to a fall height of ≤ 0.60 m (please refer to price list for more detailed information)

Foundations
 8 items 30 x 30 x 30 cm excavation depth 50 cm
 2 items 50 x 50 x 40 cm excavation depth 60 cm

Attention:
Exact measurements may vary, for all installation dimensions refer to current installation instructions.
 Technical changes reserved.

Technical information

equipment made of non-impregnated mountain larch

angle cut
 vertical support posts with angle cut in the end grain section as constructive wood preservation



core-free timber
 sawn timbers core-free, thus decreasing the occurrence of cracking



tongue and groove
 platform boards and ramp of 40 mm tongue and groove boarding



plywood
 side walls made of waterproof larch plywood board, 40 mm



ground anchor
 all parts used for anchoring to the ground made of hot-dip galvanised steel



stainless steel incline

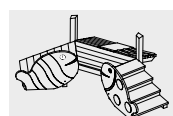
colour
 solvent-free acrylic paints are used for colouring; the wood is painted in a way which allows the structure of the wood to remain clearly visible

Dimensions

(small deviations possible)

height	1.20 m
length	3.60 m
width	2.60 m
weight	390 kg

For more detailed explanation of the quality characteristics see price list.



4.08502



Play value

The small striped fish is a delightful playing area for small children. The friendly charisma of the figure is enhanced by the warm colours. There are different ways to climb up onto the triangular platform. The ramp has a smooth surface with lengths of wood set into it which serve as a crawling aid. There is a small sliding surface. The platform can also be reached via steps.

Fundamental characteristics

- agreeable formal look-and-feel
- design which arouses interest
- seating platform with shade wall
- climbing variation with crawling aids
- stainless steel incline

Suitable

- for small children's areas of:
 - public playgrounds
 - playgrounds situated near houses
 - kindergartens
 - children's homes
 - therapy institutions for children
 - camp sites
- nurseries

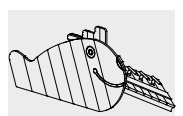


Small Fish
with Stainless Steel Incline and Staircase

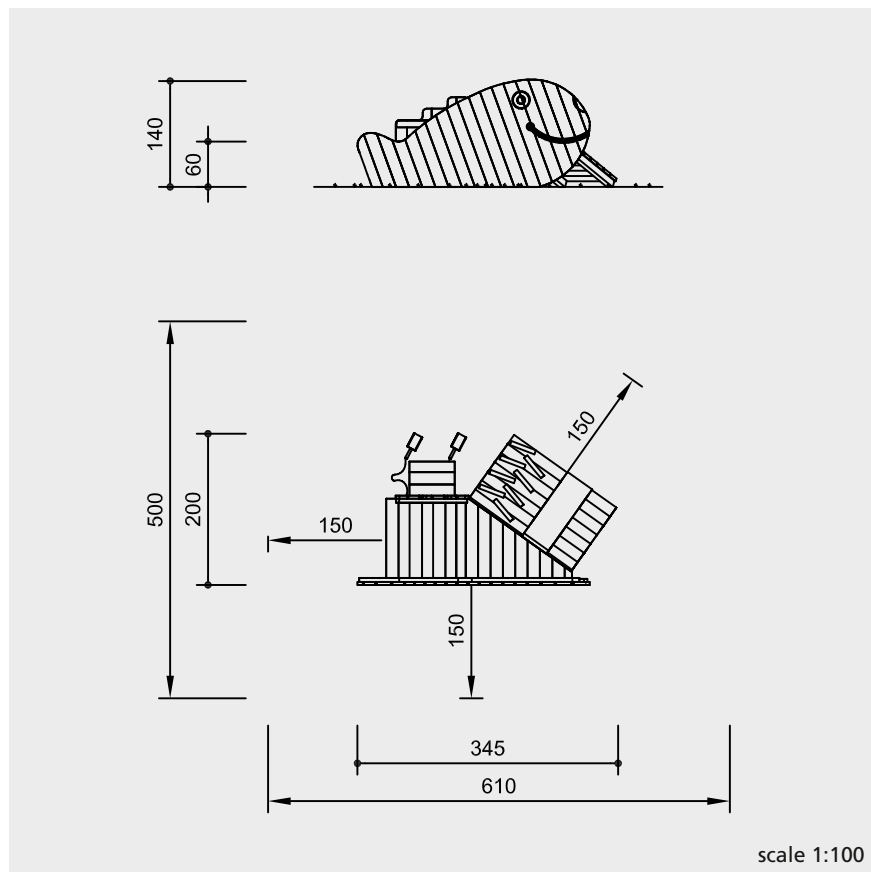


Copyright © Richter Spielgeräte GmbH 10/15

Design: F. Dorband/K. H. Thiele



4.08501



Safety check according to EN 1176

Technical information

equipment of non-impregnated mountain larch

core-free timber

sawn timbers core-free, thus decreasing the occurrence of cracking



tongue and groove

platform boards, side part and ramp of 40 mm tongue and groove boarding



ground anchor

all parts used for anchoring to the ground made of hot-dip galvanised steel



stainless steel incline

colour

solvent-free acrylic paints are used for colouring; the wood is painted in a way which allows the structure of the wood to remain clearly visible

Dimensions

(small deviations possible)

height	1.40 m
length	3.45 m
width	2.00 m
weight	330 kg

For more detailed explanation of the quality characteristics see price list.

Components

- 1 side part in the shape of a fish with staircase and pedestal
- 1 ramp with stainless steel incline and climbing aids
- 1 table, 2 shovels
- 6 foundation irons

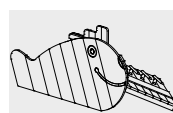
Installation information

Surfacing requirements corresponding to a fall height of ≤ 0.60 m

Recommendation: shock absorbing surfacing (please refer to price list for more detailed information)

Foundations
6 items 30 x 30 x 30 cm
excavation depth 50 cm

Attention:
Exact measurements may vary, for all installation dimensions refer to current installation instructions.
Technical changes reserved.



4.08501

Play value

The attractive appearance of the Big Fish, which is just rising out of the water, gives this play equipment its simulative nature. The children can conquer the platform via a wide ramp and can explore their surroundings through big "portholes". They can also enjoy sliding fun together on the wide slide. The tummy of the fish under the platform can also be used as a hidey-hole or a little house.



Fundamental characteristics

- friendly appearance
- appealing design
- large ramp for crawling, climbing and rolling around
- wide slide for sliding together
- hidey-hole and sand play area
- portholes

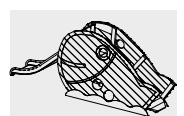
Suitable

- for small children's areas of:
 - public playgrounds
 - playgrounds situated near houses
 - kindergartens
 - children's homes
 - therapy institutions for children
 - camp sites
- nurseries

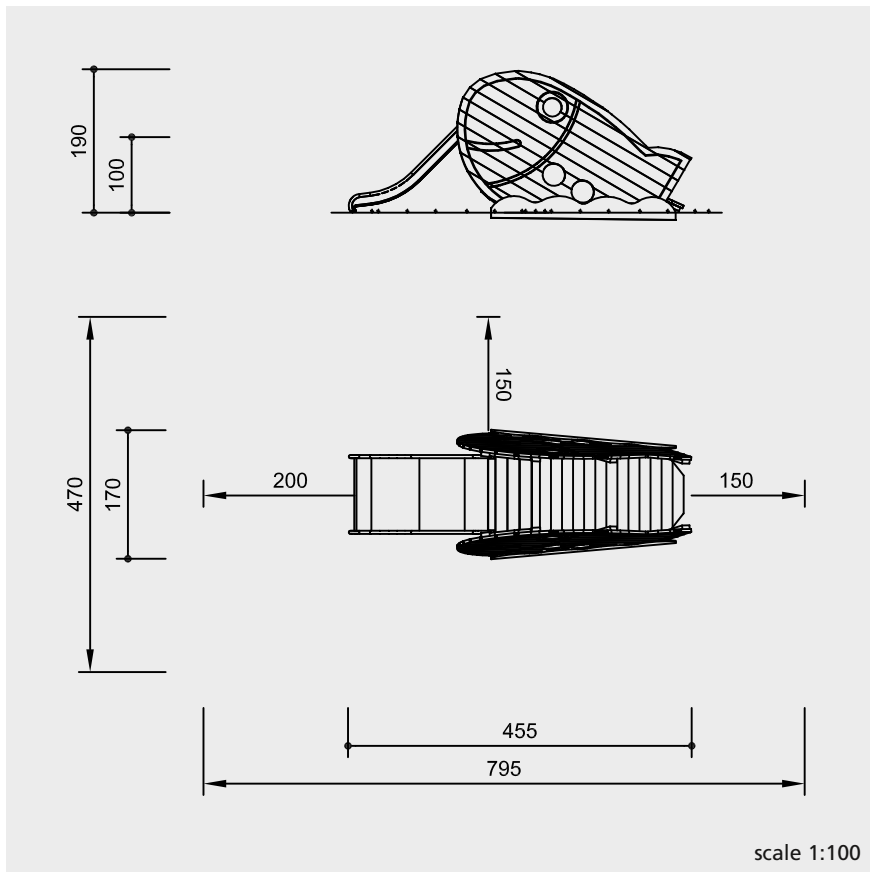
Big Fish
with Small Children Slide and Ramp

Copyright © Richter Spielgeräte GmbH 10/15

Design: F. Dorband/K. H. Thiele



4.08304



Safety check according to EN 1176

Components

- 2 side parts in the shape of a fish
- 1 ramp access
- 1 platform
- 2 lateral waves
- 1 wide slide with ground anchor
Order No. 3.63300
- 4 foundation irons

Installation information

Surfacing requirements corresponding to a fall height of ≤ 1.00 m (please refer to price list for more detailed information)

Foundations
4 items 40 x 40 x 40 cm
excavation depth 60 cm

Slide
excavation depth for ground anchor 55 cm

Attention:

Exact measurements may vary, for all installation dimensions refer to current installation instructions.

Technical changes reserved.

Technical information

equipment made of non-impregnated mountain larch

core-free

sawn timbers core-free, thus decreasing the occurrence of cracking



tongue and groove

platform boards, side parts and ramp of 40 mm tongue and groove boarding



ground anchor

all parts used for anchoring to the ground made of hot-dip galvanised steel



colour

solvent-free acrylic paints are used for colouring; the wood is painted in a way which allows the structure of the wood to remain clearly visible

total construction of the slide made of stainless steel, sides 2 mm, sliding surface 2.5 mm

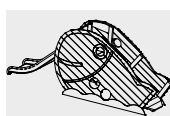
waves made of polyethylene

Dimensions

(small deviations possible)

height	1.90 m
length	4.55 m
width	1.70 m
weight	360 kg

For more detailed explanation of the quality characteristics see price list.



4.08304

Play value

The likeable appeal of the chicken plays a role in creating a play environment which is favourable for children. The coloured design immediately attracts children to play. The net in the stomach is a small meeting place where children can come to find seclusion.



Fundamental characteristics

- high-quality design
- coloured elements, eye-catcher
- very special appeal
- movement: climbing

Suitable

- for older than, but also suitable for children under 3 years
- for playgrounds situated near houses public playgrounds

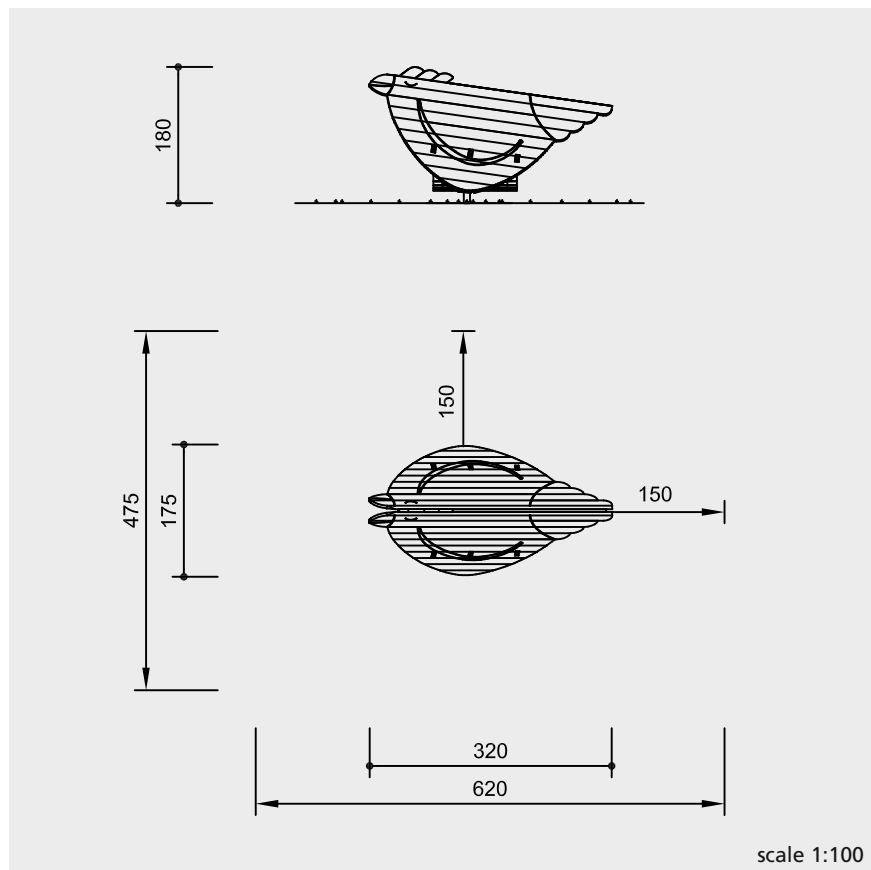
Big Chicken
with Net

Copyright © Richter Spielgeräte GmbH 10/15

Design: F. Dorband/K. H. Thiele



4.08200



Safety check according to EN 1176

Components

- 2 side parts in the shape of a chicken coloured design according to picture
- 1 net
- 2 steel feet

Installation information

Surfacing requirements corresponding to a fall height of ≤ 0.60 m (please refer to price list for more detailed information)

Foundations
2 items 60 x 60 x 60 cm
excavation depth 80 cm

Attention!
Exact measurements may vary, for all installation dimensions refer to current installation instructions.
Technical changes reserved.

Technical information

equipment made of non-impregnated mountain larch

core-free
all timber core-free, thus decreasing the occurrence of cracking



tongue and groove
side parts made of 40 mm tongue and groove boarding



hercules rope
climbing net of 16 mm six-strand, combined of steel and polyamide yarn for the sleeve



aluminium swages
double-conical aluminium swages with rounded-off ends



rope connection with joint
close fitting connection without dangerous openings; the bearing consists of one brass bush



ground anchor
all parts used for anchoring to the ground made of hot-dip galvanised steel



colour

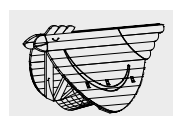
solvent-free acrylic paints are used for colouring; the wood is painted in a way which allows the structure of the wood to remain clearly visible

Dimensions

(small deviations possible)

height	1.80 m
length	3.20 m
width	1.75 m
weight	240 kg

For more detailed explanation of the quality characteristics see price list.



4.08200

Play value

Our Elephant with Trunk Slide can be seen from a long way away. The large animal is an impressive example of play space design. Small and big children immediately recognise the elephant and want to explore the life within. A large play area is situated in the body, which invites them to hide away and engage in role-playing games. The slide in the trunk allows a quick getaway to the ground.



Fundamental characteristics

- impressive design statement
- very special appeal
- eye-catcher of a play area
- attractive meeting point
- large play area underneath the platform
- incentive for playing: curiosity, role-playing games, experiencing height, hiding
- exercise activity: climbing up and around, observing, sliding

Suitable

- for children from 6 years and young people
- for public playgrounds
- parks
- exhibitions
- leisure parks

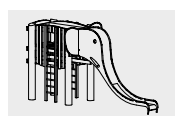


special version height 1 m

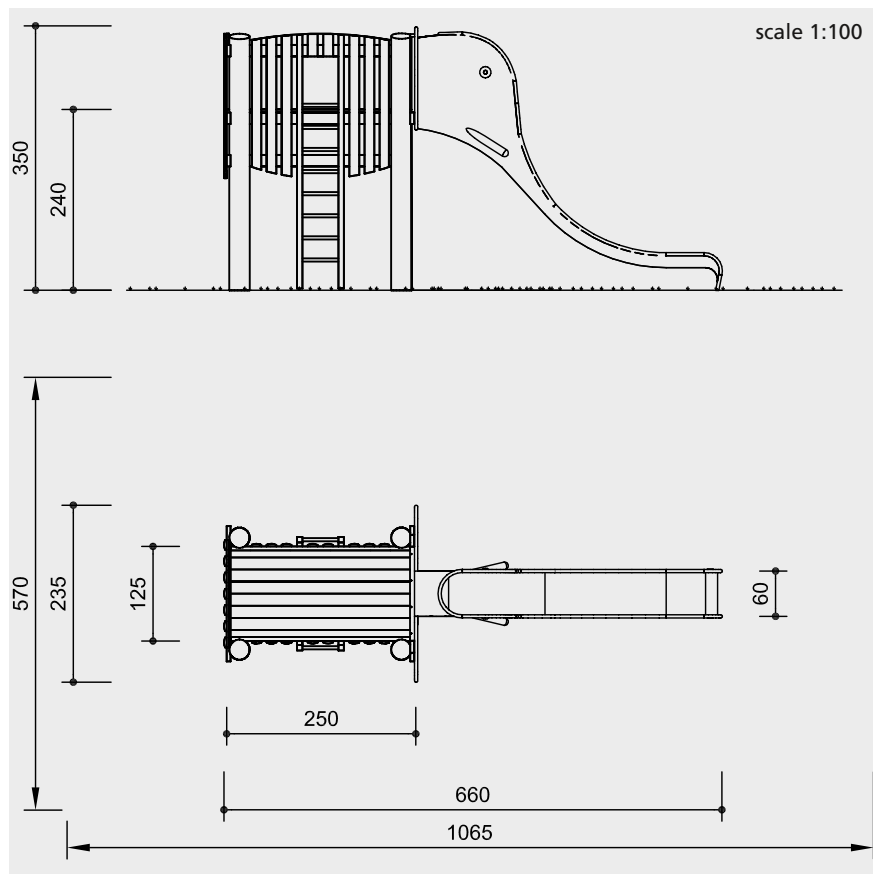
Elephant with Trunk Slide

Copyright © Richter Spielgeräte GmbH 10/15

Design G. Beltzig



8.99210



safety check according to EN 1176

Components

- 1 platform with 2 ladders
- 4 steel feet
- 1 trunk slide

Installation information

Surfacing requirements corresponding to a fall height of ≤ 3.00 m (please refer to price list for more detailed information)

Foundations

- Elephant**
4 items 80 x 80 x 60 cm
excavation depth 80 cm
- Trunk Slide**
1 item 90 x 30 x 30 cm
excavation depth 70 cm

Attention:

Exact measurements may vary; for all installation dimensions refer to current assembly instructions.

Technical changes reserved.

Technical information

equipment of non-impregnated mountain larch

high-quality carpentry joints

de-barked

de-barked posts, \varnothing 25 - 29 cm



angle cut

vertical stand posts with angle cut in the end grain section as constructive wood preservation



core-free

sawn timbers core-free, thus decreasing occurrences of cracking



slabs

thickness 4 - 5 cm, de-barked by hand



tongue and groove

platform floors made of 40 mm tongue and groove boarding



hardwood rungs

climbing rungs of hardwood, milled and mortised, \varnothing 42 mm



ground anchor

all parts used for anchoring to the ground made of hot-dip galvanised steel



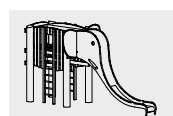
trunk slide made of stainless steel, side of the slide glass bead blasted

Dimensions

(small deviations possible)

height	3.50 m
height of platform	2.40 m
length	6.60 m
width	2.50 m
weight	on request

Please refer to the price list for a more detailed explanation of the quality characteristics.



8.99210

Play value

The shape of a play equipment is one of the main factors giving children the necessary stimulus for active play. By an attractive design, children become aware of the play offer. A friendly look creates a pleasant atmosphere and invites children to play. Rope nest and slide are included in the basic elements of the Big Bird Platform. In addition, there are three coloured climbing grips attached to the head.



Copyright © Richter Spielgeräte GmbH 10/15

Design F. Dorband/K.H. Thiele

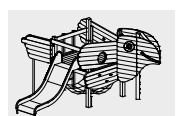
Fundamental characteristics

- high-quality design
- coloured elements, eye-catcher
- creates a pleasant atmosphere
- many possibilities for attaching play elements
- play offers inside the structure
- incentive for playing: climbing grips, friendly face
- movement: climbing, role games

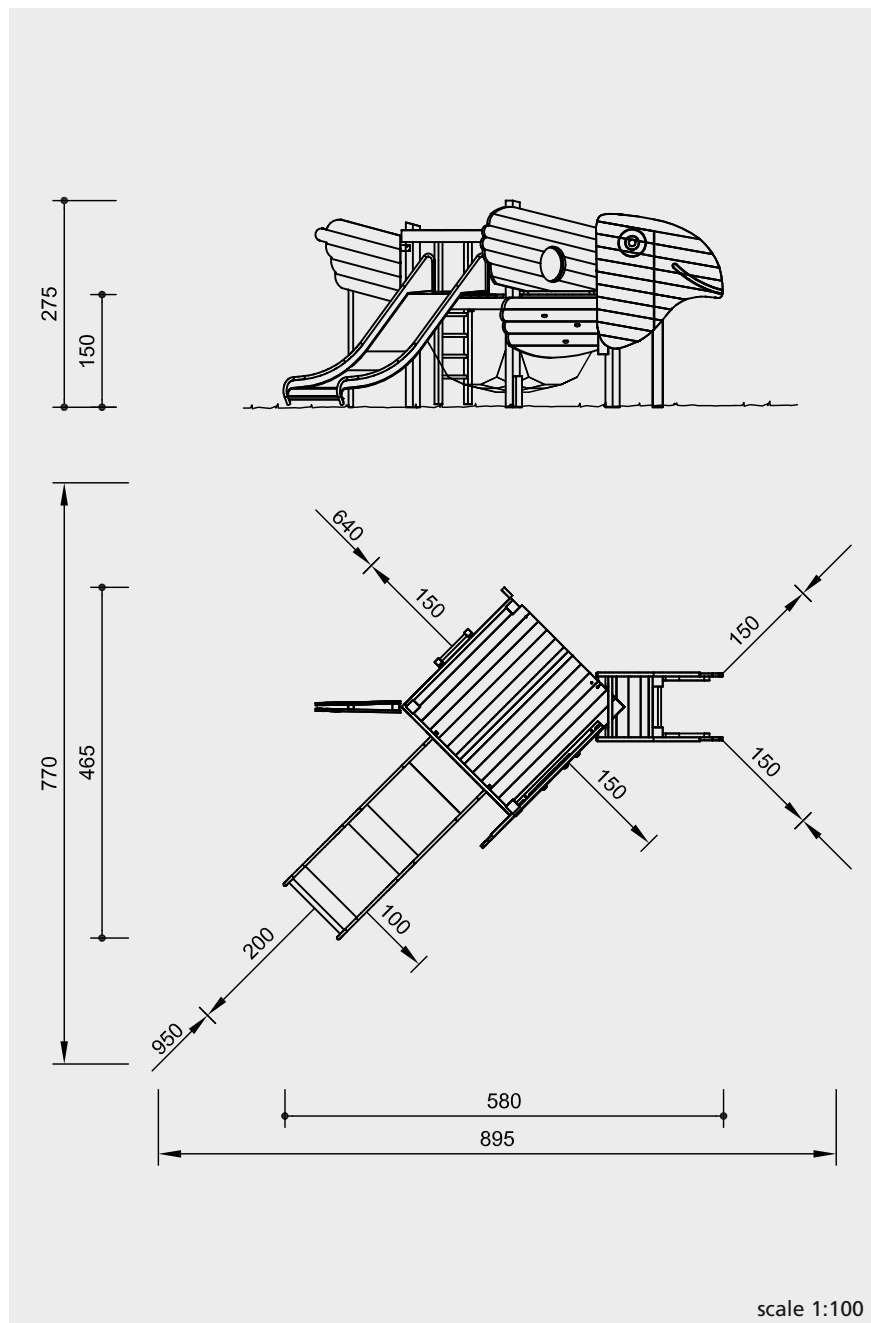
Suitable

- for children from 3 years
- for playgrounds situated near houses public playgrounds

Big Bird Platform



4.90000



Safety check according to EN 1176

Components

- 1 Platform
two sides close clad in the shape of a bird, with double sided head and tail, coloured design according to picture
- 7 steel feet
- 1 ladder in the head
- 3 climbing grips
- 1 rope nest
- 1 stainless steel slide, width 1.00 m
attachment height 1.50 m

Installation information

Surfacing requirements corresponding to a fall height of ≤ 1.50 m (please refer to price list for more detailed information)

Foundations

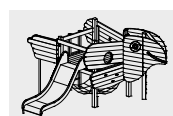
Platform
7 items 60 x 60 x 60 cm
excavation depth 80 cm

Slide
2 items 30 x 30 x 30 cm
excavation depth 70 cm

Attention:

Exact measurements may vary, for all installation dimensions refer to current installation instructions.

Technical changes reserved.



4.90000

Technical information

equipment made of non-impregnated mountain larch

core-free

all timbers core-free, by that formation of cracks can be reduced



tongue and groove

platform boards of 40 mm tongue and groove boarding



hardwood rungs

climbing rungs of hardwood, milled and mortised, \varnothing 42 mm



Corocord@rope

special ropes of "Hercules type"
rope nest of 19 mm six-strand Corocord@ rope of the special "Hercules type", abrasion protected through heating of the six steel strands and melting the polyamide sleeve onto them, standard colour red



aluminium swages

double-conical aluminium swages with rounded-off ends



S-clamps

neatly rounded Corocord@S clamps made of stainless steel, \varnothing 8 mm



ground anchor

all parts used for anchoring to the ground made of hot-dip galvanised steel



slide of stainless steel, slide walls glass bead blasted, thickness of slide metal 3 mm, handrail tube \varnothing 42 mm, thickness 2 mm

professional climbing grips made of a mixture of sand/synthetic resin with 100% safe anti-rotation system against unintended twisting of the grips

colour

solvent-free acrylic paints are used for colouring; the wood is painted in a way which allows the structure of the wood to remain clearly visible

Dimensions

(small deviations possible)

height	2.75 m
floor height	1.50 m
floor size	2.00 x 2.00 m
length	5.80 m
width	4.65 m
weight	700 kg

For more detailed explanation of the quality characteristics see price list.



Play value

The shape of a play equipment is one of the main factors giving children the necessary stimulus for active play. By an attractive design, children become aware of the play offer. A friendly look creates a pleasant atmosphere and invites children to play. Fish Berta has an amiable appearance in the shape of a fish which provides a special attraction to the play area. The net and climbing grips, which stick like shells to one side of the structure, emphasize the look of a sea animal which can become the centre of a play area. Fish Berta offers play opportunities inside the structure and has a climbing net and a slide in the basis version.



Fundamental characteristics

- high-quality design
- coloured elements, eye-catcher
- creates a pleasant atmosphere
- many possibilities for attaching play elements
- play offers inside the fish body
- incentive for playing: climbing grips, friendly face
- movement: climbing, role games

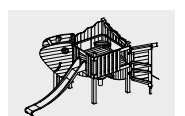
Suitable

- for children from 3 years
- for playgrounds situated near houses
- public playgrounds

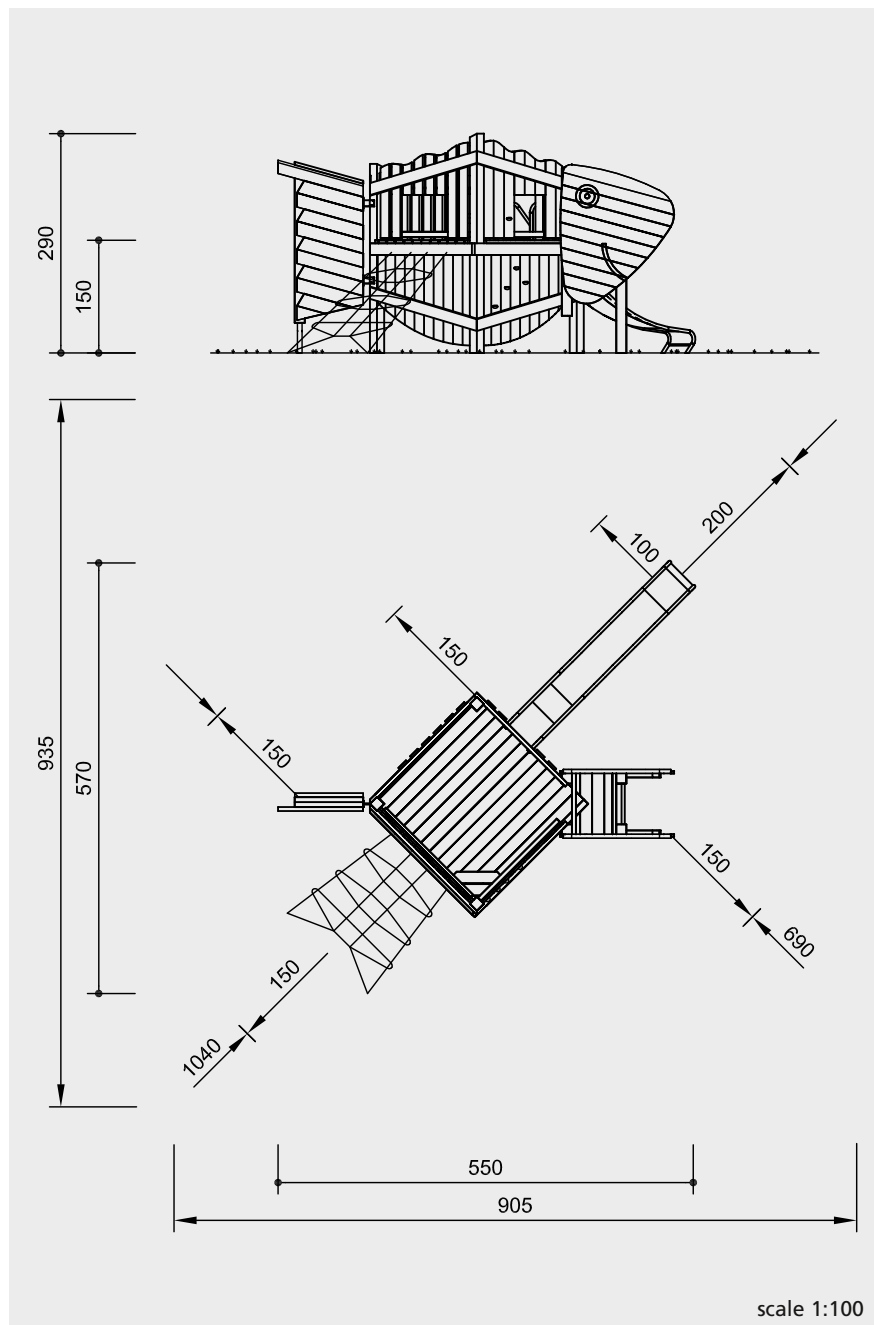
Fish Berta

Copyright © Richter Spielgeräte GmbH 10/15

Design: F. Dorband/K. H. Thiele



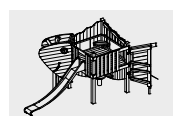
4.90010



Safety check according to EN 1176

Components

- 1 Platform
two sides close clad in the shape of a fish, with double sided head and tail fin, coloured design according to picture
- 7 steel feet
- 1 round table, 1 bench
- 1 ladder in the head
- 5 climbing grips on the closed side
- 1 inclined climbing net
- 1 stainless steel slide with ground anchor
Order No. 3.63020



4.90010

Installation information

Surfacing requirements corresponding to a fall height of ≤ 1.50 m (please refer to price list for more detailed information)

Foundations

Platform
7 items 60 x 60 x 60 cm
excavation depth 80 cm

Net
2 items 50 x 50 x 40 cm
excavation depth 80 cm

Table
1 item 60 x 60 x 40 cm
excavation depth 60 cm

Slide
excavation depth for the ground anchor 55 cm

Technical information

equipment of non-impregnated mountain larch

core-free
all timbers, core-free, by that formation of cracks can be reduced



tongue and groove
platform floor of 40 mm tongue and groove boarding



hardwood rungs
climbing rungs of hardwood, milled and mortised, \varnothing 42 mm



one-piece construction of slide
total construction of slide of 2 mm stainless steel, mould-profiled longitudinally, no welding seams along the slide surface



Corocord@rope special ropes of "Hercules type"
climbing net of 19 mm six-strand Corocord@ rope of the special "Hercules type", abrasion protected through heating of the six steel strands and melting the polyamide sleeve onto them, standard colour red



aluminium swages
double-conical aluminium swages with rounded-off ends



S-clamps
neatly rounded Corocord@S clamps made of stainless steel, \varnothing 8 mm



rope connection fixed
close fitting connection without dangerous openings



ground anchor
all parts used for anchoring to the ground made of hot-dip galvanised steel



professional climbing grips made of a mixture of sand/synthetic resin with 100% safe anti-rotation system against unintended twisting of the grips

colour

solvent-free acrylic paints are used for colouring; the wood is painted in a way which allows the structure of the wood to remain clearly visible

Dimensions

(small deviations possible)

height	2.90 m
floor height	1.50 m
floor size	2.00 x 2.00 m
length	5.50 m
width	5.70 m
weight	700 kg

Attention:
Exact measurements may vary, for all installation dimensions refer to current installation instructions. Technical changes reserved.

For more detailed explanation of the quality characteristics see price list.

Play value

In the design of the dragon, children see a figure which plays an important role in their fantasy. With its striking head and the continuous spiky crest the dragon is the endearing focal point of every play area. The basic version of the dragon is equipped with a climbing net and a slide. The small seating corner under the platform and the four climbing grips on the dragon's tail offer further play opportunities.



Copyright © Richter Spielgeräte GmbH 10/15

Design: F. Dorband/K. H. Thiele

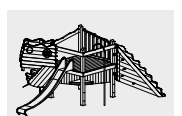
Fundamental characteristics

- high-quality design
- coloured elements, eye-catcher
- creates a pleasant atmosphere
- many possibilities for attaching play elements
- incentive for playing: climbing grips, friendly face
- movement: climbing, role games

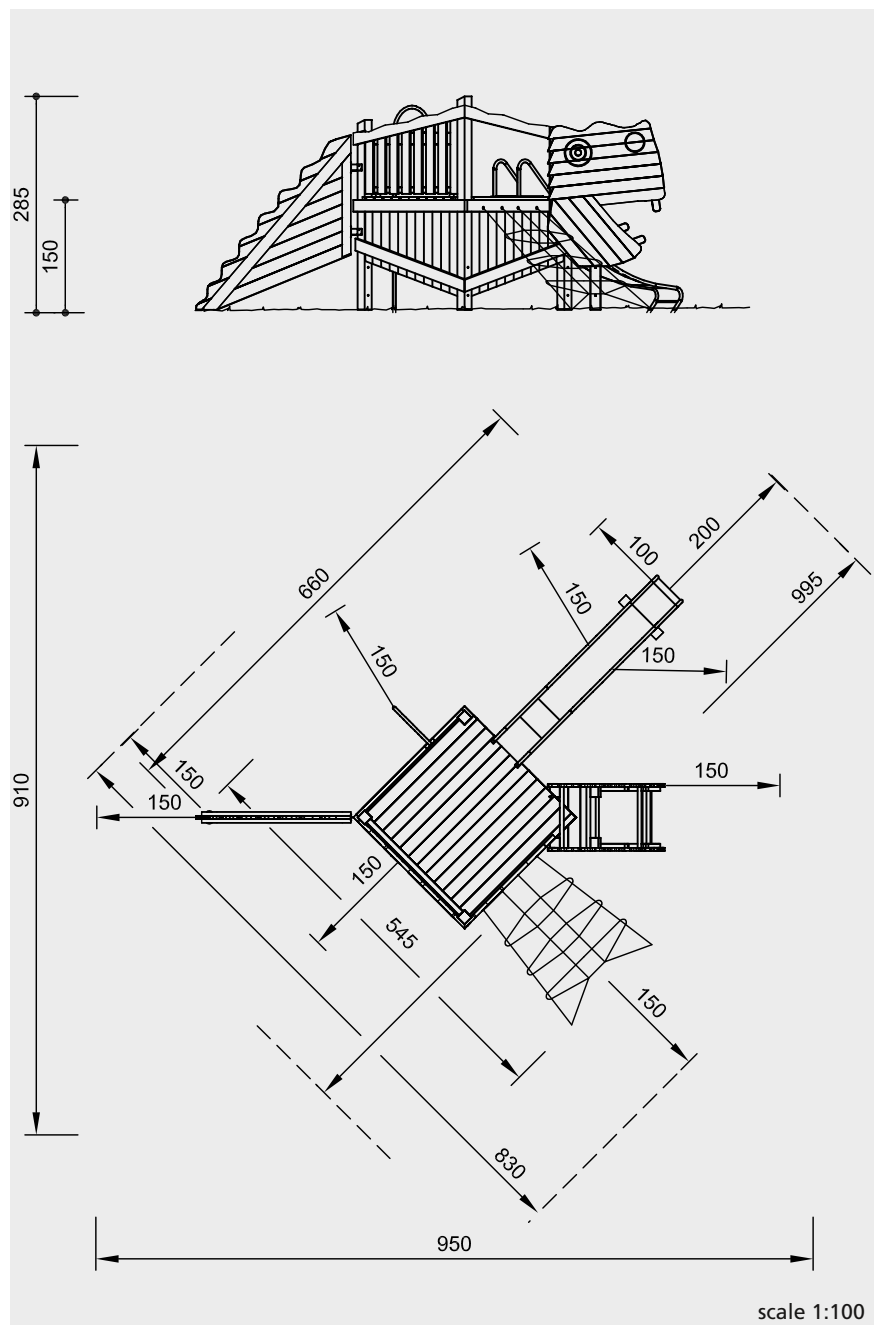
Suitable

- for children from 3 years
- for playgrounds situated near houses
- public playgrounds

Dragon Platform



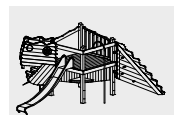
4.90020



Safety check according to EN 1176

Components

- 1 platform
two sides close clad in the shape of a dragon, with double sided head and tail fin, coloured design according to picture
- 7 steel feet
- 1 bench
- 1 ladder in the head
- 4 climbing grips on the closed side
- 1 inclined climbing net
- 1 bent firemen's pole
- 1 stainless steel slide with ground anchor
Order No. 3.63020



4.90020

Installation information

Surfacing requirements corresponding to a fall height of ≤ 1.50 m (for more detailed information see price list)

Foundations

Platform
7 items 60 x 60 x 60 cm
excavation depth 80 cm

Net
2 items 50 x 50 x 40 cm
excavation depth 80 cm

Bent Firemen's Pole
1 item 30 x 30 x 30 cm
excavation depth 60 cm

Slide
excavation depth for ground anchor
55 cm

Attention:
Exact measurements may vary, for all installation dimensions refer to current installation instructions.

Technical changes reserved.

Technical information

equipment of non-impregnated mountain larch

core-free timber
all timbers, core-free, by that formation of cracks can be reduced



tongue and groove
platform floor of 40 mm tongue and groove boarding



hardwood rungs
climbing rungs of hardwood, milled and mortised, \varnothing 42 mm



one-piece construction of slide
total construction of slide of 2 mm stainless steel, mould-profiled longitudinally, no welding seams along the slide surface



Corocord® rope
special ropes of "Hercules type"
climbing net of 19 mm six-strand Corocord® rope of the special "Hercules type", abrasion protected through heating of the six steel strands and melting the polyamide sleeve onto them, standard colour red



aluminium swages
double-conical aluminium swages with rounded-off ends



S-clamps
neatly rounded Corocord®S clamps made of stainless steel, \varnothing 8 mm



rope connection fixed
close fitting connection without dangerous openings



ground anchor
all parts used for anchoring to the ground made of hot-dip galvanised steel



bent firemen's pole \varnothing 42 mm, made of stainless steel, glass bead blasted

professional climbing grips made of a mixture of sand/synthetic resin with 100% safe anti-rotation system against unintended twisting of the grips

colour
solvent-free acrylic paints are used for colouring; the wood is painted in a way which allows the structure of the wood to remain clearly visible

Dimensions
(small deviations possible)

height	2.85 m
floor height	1.50 m
floor size	2.00 x 2.00 m
length	6.60 m
width	5.45 m
weight	700 kg

For more detailed explanation of the quality characteristics see price list.

Play value

A number of different aspects contribute to the appeal of a play offer. One of the most important factors is its appearance. If the design is appropriate and appealing to children, this acts as a stimulus for them to play with it. The attractive design of the elephant lends a special flair to every play location. The basic version of Bumba, the elephant, includes a table and stools, a slide, a net ladder, a firemen's pole and a climbing rope.



Copyright © Richter Spielgeräte GmbH 10/15

Fundamental characteristics

- high-quality design
- coloured elements, eye-catcher
- very special appeal
- versatile opportunities for combination
- movement: climbing, sliding

Suitable

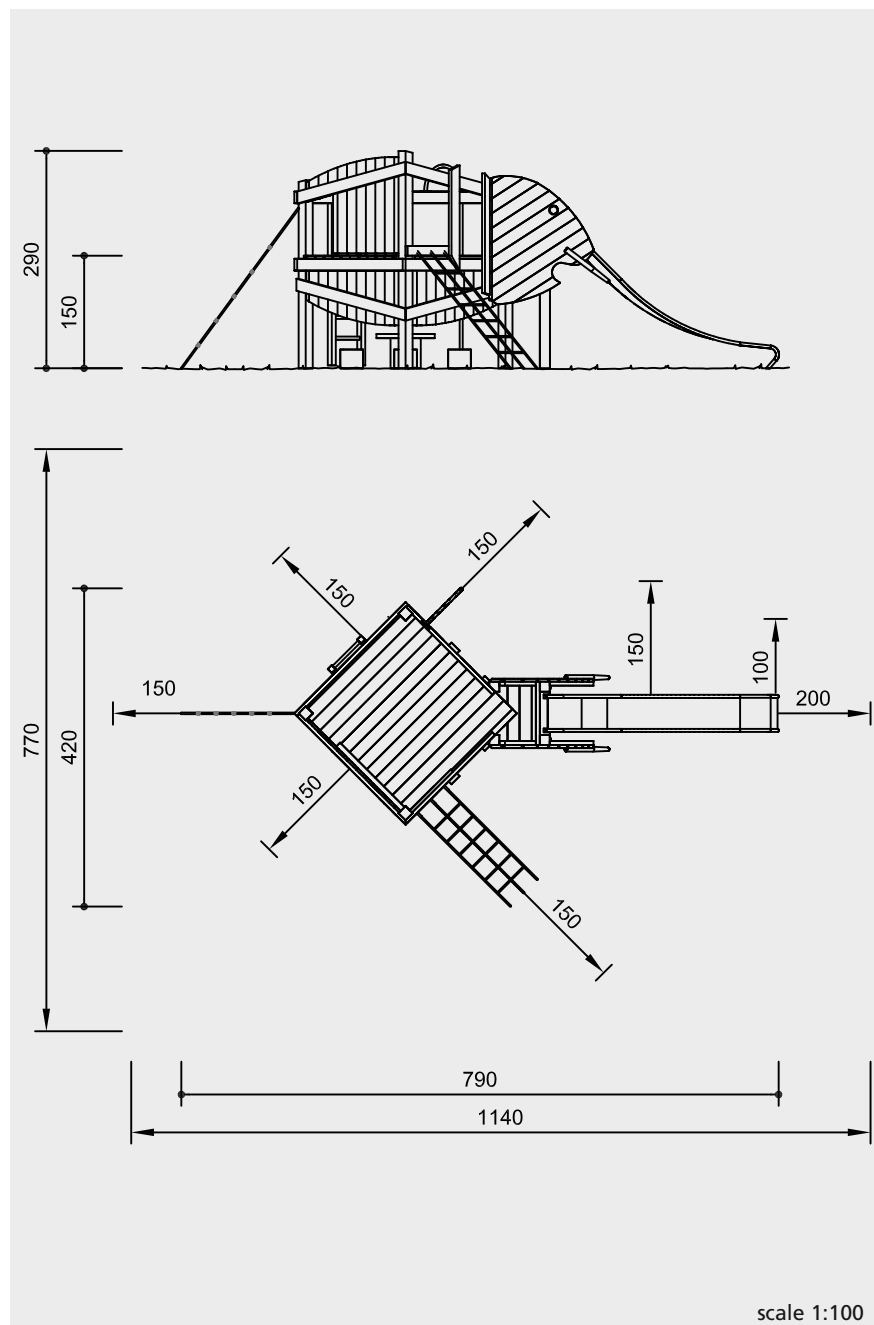
- for children from 3 years
- for playgrounds situated near houses
nurseries/kindergartens
public playgrounds

Elephant Bumba

Design: F. Dorband/K. H. Thiele



4.90030



Safety check according to EN 1176

Components

- 1 platform in the shape of a dragon, coloured design according to picture
- 6 steel feet
- 1 climbing rope as a tail
- 1 ladder
- 1 net ladder
- 1 bent firemen's pole
- 1 stainless steel slide with ground anchor
Order No. 3.63020
- 1 round table with foundation irons
- 4 stools with foundation irons



4.90030

Installation information

Surfacing requirements corresponding to a fall height of ≤ 1.50 m (please refer to price list for more detailed information)

Foundations

Platform and climbing rope

7 items 60 x 60 x 60
excavation depth 80 cm

Bent Firemen's pole

1 item 30 x 30 x 30 cm
excavation depth 60 cm

Net ladder

1 item 100 x 50 x 40 cm
excavation depth 80 cm

Slide

excavation depth for ground anchor 55 cm

Table

1 item 50 x 50 x 20 cm
excavation depth 40 cm

Stool (only to immobilise the equipment)

4 items 40 x 30 x 20 cm
excavation depth 40 cm

Technical information

equipment of non-impregnated mountain larch

core-free timber

all timber made, core-free, thus decreasing the occurrence of cracking



tongue and groove

platform floor made of 40 mm tongue and groove boarding



hardwood rungs

climbing rungs of hardwood, milled and mortised, Ø 42 mm



one-piece construction

complete construction made of slide of 2 mm stainless steel, mould-profiled longitudinally, no welding seams along the sliding surface



Corocord® rope

climbing net of "Hercules type" special ropes of 19 mm six-strand Corocord® rope of the special "Hercules type", abrasion protected through heating of the six steel strands and melting the polyamide sleeve onto them, standard colour red



aluminium swages

double-conical aluminium swages with rounded-off ends



S-clamps

neatly rounded Corocord®S-clamps made of stainless steel, Ø 8 mm



rope connection with joint

close fitting connection without dangerous openings; the bearing consists of one brass bush



ground anchor

all parts used for anchoring to the ground made of hot-dip galvanised steel



bent firemen's pole made of stainless steel

colour solvent-free acrylic paints are used for colouring; the wood is painted in a way which allows the structure of the wood to remain clearly visible

Dimensions

(small deviations possible)

height	2.90 m
floor height	1.50 m
floor dimensions	2.00 x 2.00 m
length	7.90 m
width	4.20 m
weight	750 kg

Attention:

Exact measurements may vary, for all installation dimensions refer to current installation instructions.
Technical changes reserved.

For more detailed explanation of the quality characteristics see price list.

Play value

A number of different aspects contribute to the appeal of a play offer. One of the most important factors is its appearance. If the design is appropriate and appealing to children, this acts as a stimulus for them to play with it. The attractive design of the lion lends a special flair to every play location. The basic version of Lion Leo includes a table and four stools, a climbing wall, an inclined climbing net, a fireman's pole and a climbing rope.



Copyright © Richter Spielgeräte GmbH 10/15

Fundamental characteristics

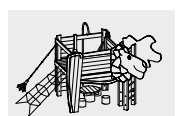
- high-quality design
- coloured elements, eye-catcher
- very special appeal
- versatile opportunities for combination
- rooms for play inside
- incentive for playing: climbing grips, friendly face
- movement: climbing, role-playing

Suitable

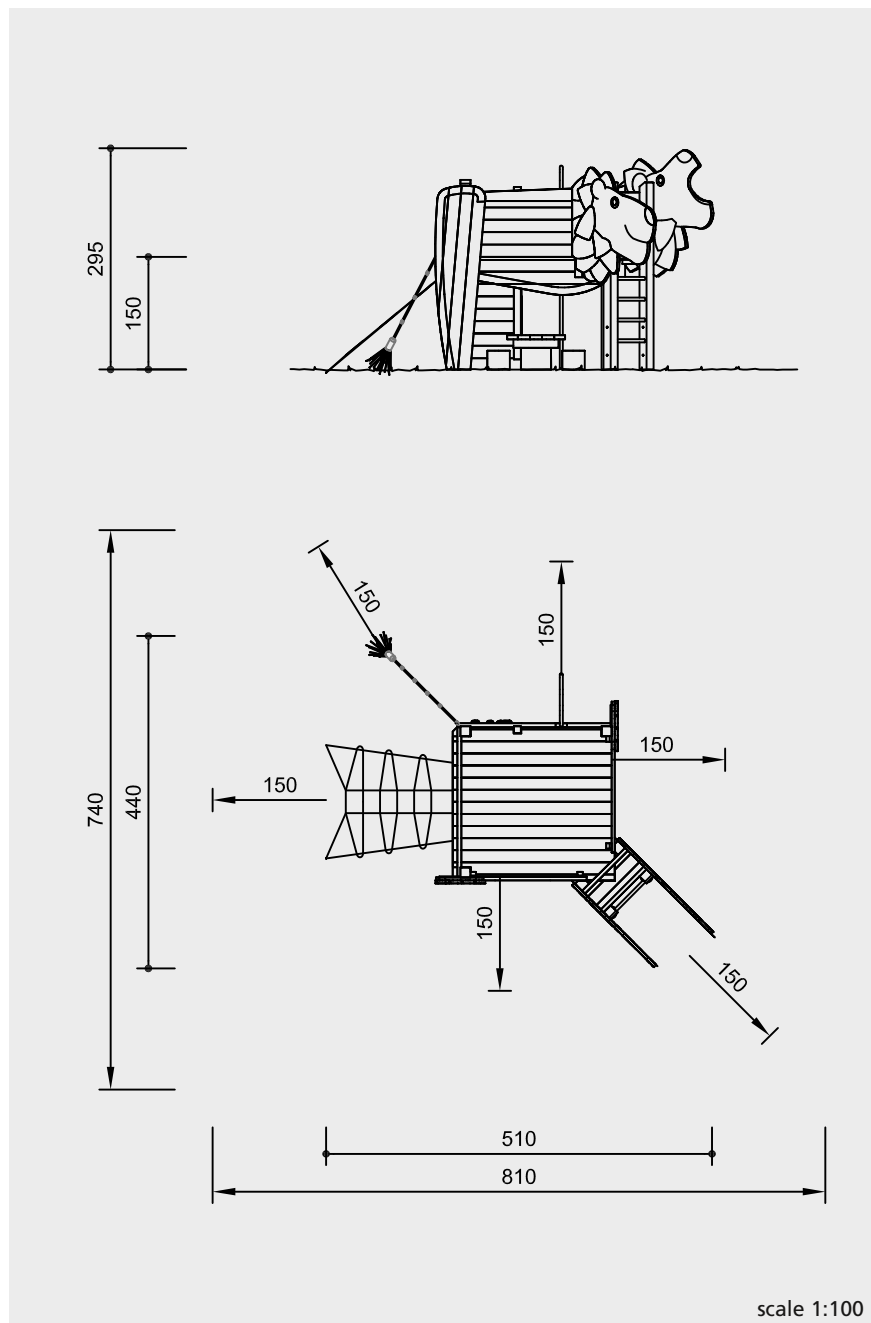
- for children from 3 years
- for playgrounds situated near houses kindergartens public playgrounds

Lion Leo

Design: F. Dorband/K. H. Thiele



4.90040



Safety check according to EN 1176

Technical information

equipment of non-impregnated mountain larch

core-free

all timber made, core-free, thus decreasing the occurrence of cracking



tongue and groove

platform floor made of 40 mm tongue and groove boarding



hardwood rungs

climbing rungs of hardwood, milled and mortised, Ø 42 mm



Corocord®rope

special ropes of "Hercules type"

climbing net made of 19 mm six-strand Corocord® rope of the special "Hercules type", abrasion-protected through heating of the six steel strands and melting the polyamide sleeve onto them, standard colour red



aluminium swages

double-conical aluminium swages with rounded-off ends



S-clamps

neatly rounded Corocord® S-clamps made of stainless steel, Ø 8 mm



rope connection with joint

close fitting connection without dangerous openings; the bearing consists of one brass bush



ground anchor

all parts used for anchoring to the ground made of hot-dip galvanised steel



bent fireman's pole Ø 42 mm, made of stainless steel, glass bead blasted

professional climbing grips made of a mixture of sand/synthetic resin with 100% safe anti-rotation system against unintended twisting of the grips

colour

solvent-free acrylic paints are used for colouring; the wood is painted in a way which allows the structure of the wood to remain clearly visible

Dimensions

(small deviations possible)

length	5.10 m
width	4.40 m
height	2.95 m
floor height	1.50 m
floor size	2.00 x 2.00 m
weight	750 kg

Attention:

Exact measurements may vary, for all installation dimensions refer to current installation instructions. Technical changes reserved.

For more detailed explanation of the quality characteristics see price list.

Components

- 1 platform in the shape of a lion, coloured design according to picture
- 6 steel feet
- 1 ladder
- 1 inclined climbing net
- 1 bent fireman's pole
- 1 tail as climbing rope
- 1 climbing wall
- 1 round table with foundation irons
- 4 stools with foundation irons

Installation information

Surfacing requirements corresponding to a fall height of ≤ 1.50 m (please refer to price list for more detailed information)

Foundations

Platform

6 items 60 x 60 x 60 cm excavation depth 80 cm

Net

2 items 50 x 50 x 40 cm excavation depth 80 cm

Bent fireman's pole

1 item 30 x 30 x 30 cm excavation depth 60 cm

Climbing rope

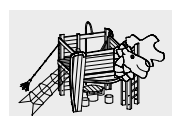
1 item 60 x 60 x 60 cm excavation depth 100 cm

Table

1 item 50 x 50 x 20 cm excavation depth 40 cm

Stool

4 items 40 x 30 x 20 cm excavation depth 40 cm





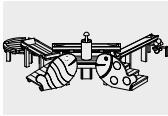

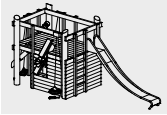
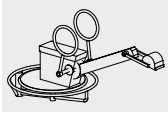
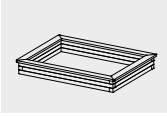
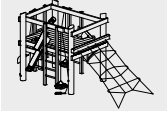

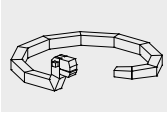

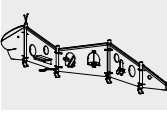
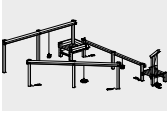



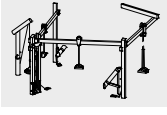
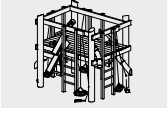
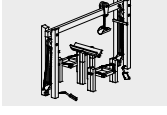

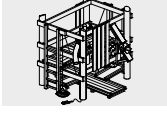
4.90040

C Sand · Water · Mud

- 1 Working with sand and water
- 2 Pumping and splashing
- 3 Channels · basins · mud tables
- 4 Damming · channelling · propelling
- 5 Transporting water
- 6 Being carried by water

Many children are attracted by mimicking the working world of adults as realistically as possible. Moving heavy loads, pouring sand into pipes, switching points, digging out ditches with an excavator helps to understand physical laws and, above all, leads to satisfying play. Cooperation and communication, encouraged by our versatile play offers, make these working games very intense.

C 1 Working with sand and water

Order No. Item	page	Order No. Item	page	Order No. Item	page
 4.07500 Sand Play Ship	193	 5.01400 Building Site 014	207	 5.10010 Water Combination „Small Fish“	219
 4.07600 Sand Play Ship with Sails	193	 5.01500 Building Site 015	207	 5.30000 Large Excavator	221
 4.24305 Sand Box	195	 5.02000 Building Site 02	208	 5.32000 Small Excavator	221
 5.00001 Sand Snake	197	 5.03000 Building Site Combination 03	209		
 5.00010 Caterpillar Type 01	199	 5.05000 Transport System	211		
 5.00020 Caterpillar Type 03	201	 5.06100 Sand Transport System Type I	213		
 5.00025 Caterpillar Type 04	203	 5.06200 Sand Transport System Type II	213		
 5.01000 Building Site	205	 5.09300 Small Building Site	215		
 5.01100 Building Site 011	207	 5.09500 Water Building Site	217		

Play value

Our little Sand Play Ship is both a sand box and a sailing ship. Big and small can slip into the role of pirates, sailors and captains and, at the same time, play, build sandcastles and play at baking in the sand in the hull. Not only can the sail be used as a sunshade, it also serves as a cover for the sand box.



Order No. 4.07500 Sand Play Ship



Fundamental characteristics

- child-oriented dimensions
- natural wooden surface which appeals to the senses
- emotionally appealing design
- friendly appearance
- sunshade
- incentive for playing: role-playing games

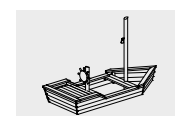
Suitable

- for older children but also for children under 3 years of age
- for small children's areas of: public playgrounds, play spaces situated near houses, kindergartens, children's homes, child therapy centres
- for day nurseries

Barrier-free

- with a carer
- independent play

**Sand Play Ship
Sand Play Ship with sails**
for supervised areas

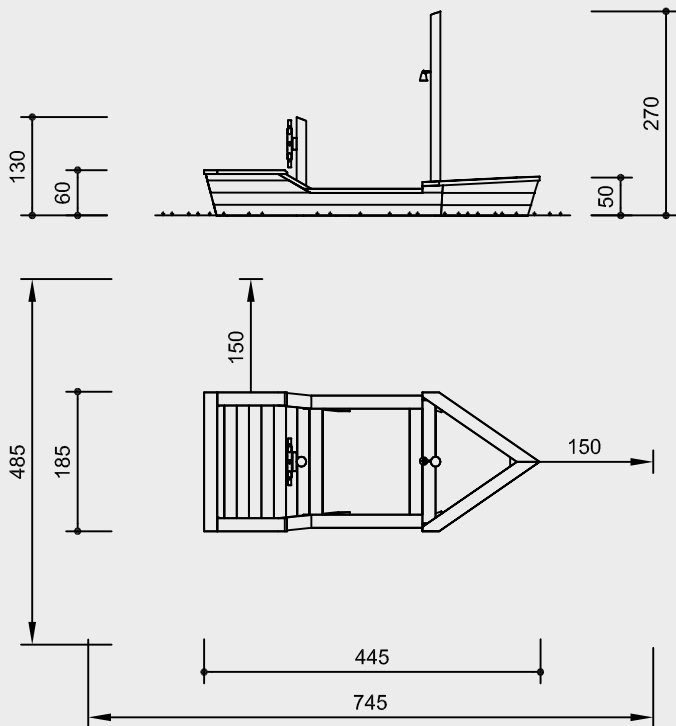


4.07500

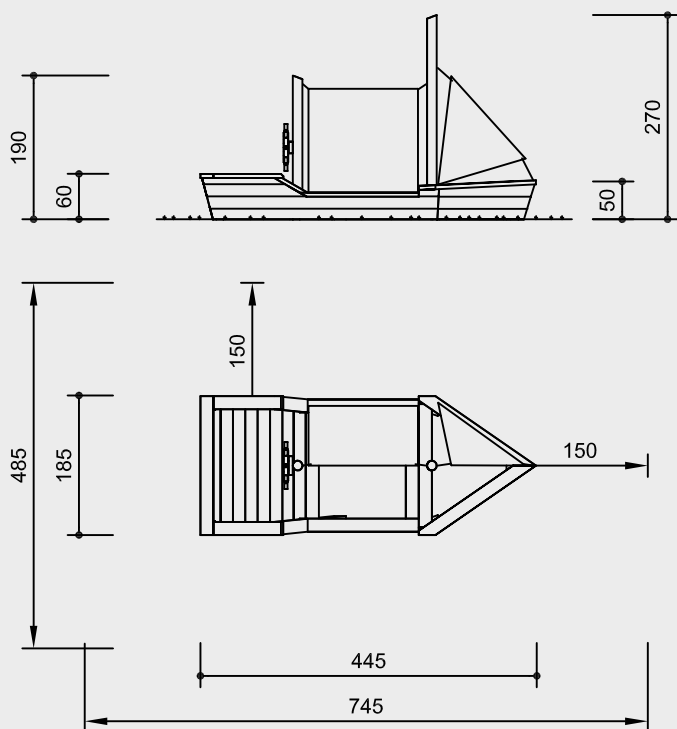


4.07600

Order No. 4.07500 Sand Play Ship

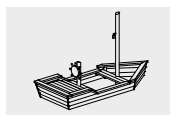


Order No. 4.07600 Sand Play Ship with sails

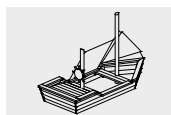


scale 1:100

safety check according to EN 1176



4.07500



4.07600

Technical information

equipment of non-impregnated mountain larch

de-barked

de-barked posts, Ø 15 - 18 cm



angle cut

vertical support posts with angle cut in the end grain section as constructive wood preservation



core-free timber

sawn timbers core-free, thus decreasing the occurrences of cracking



chains

short-link chains, 5 mm, welded before hot-dip galvanisation (stainless steel chains available on request)



fittings hot-dip galvanised

sail made of weatherproof plastic fabric (PVC)

bell made of brass

Dimensions

(small deviations possible)

height	2.70 m
seat height	0.60 m
length	4.45 m
width	1.85 m
weight	600 kg

Components

Order No. 4.07500

- 1 ship's hull
- 2 masts
- 1 steering wheel
- 3 shovels
- 1 bell

Order No. 4.07600

as before but in addition with 2 sails

Installation information

Surfacing requirements corresponding to a fall height of ≤ 0.60 m (please refer to price list for more detailed information)
Sand is required for correct functioning.

Foundations
2 items 60 x 60 x 40 cm
excavation depth 80 cm

Attention:

Exact measurements may vary, for all installation dimensions refer to current installation instructions.

Technical changes reserved.

Please refer to the price list for a more detailed explanation of the quality characteristics.



Play value

Playing with sand has a very stimulating quality, which is why it should not be missing from any small children's area. And if there is also water available children can splash and mix away, make sandcastles and "bake cakes".



Sun sail see Order No. 4.24309 in the price list

Fundamental characteristics

- child-oriented dimensions
- natural wooden surface which appeals to the senses

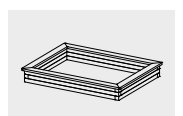
Suitable

- for small children's areas of: playgrounds situated near houses kindergartens
- nurseries

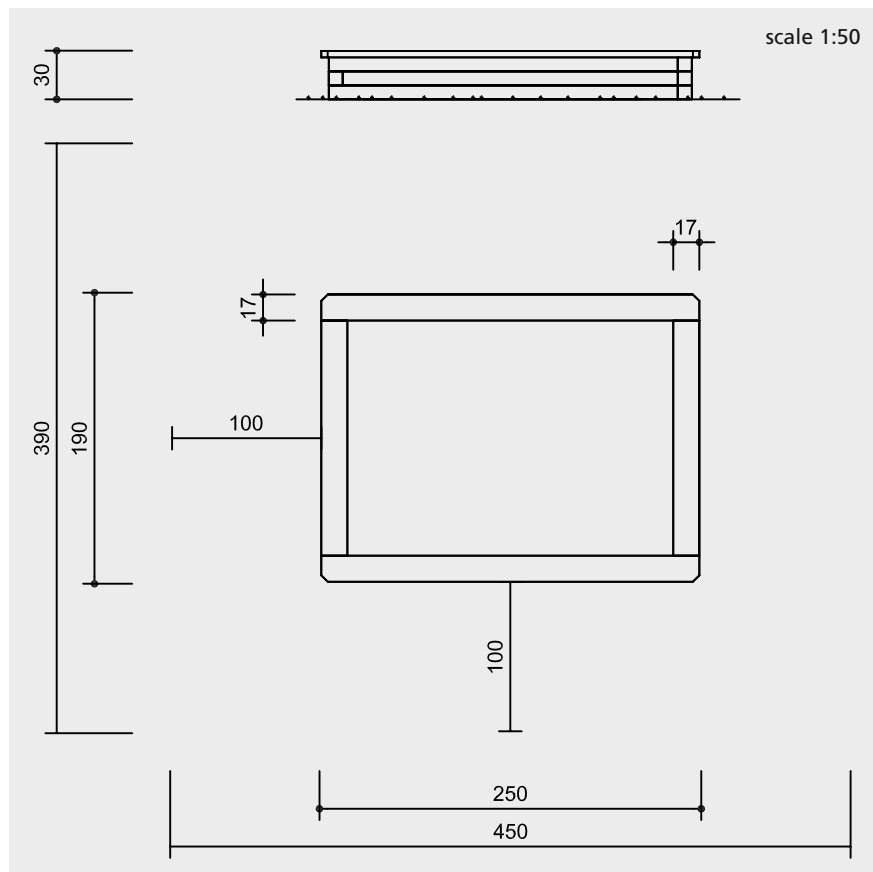
Barrier-free

- with a carer
- independent play

Sand Box



4.24305



scale 1:50

Technical information

equipment of non-impregnated mountain larch

core-free

sawn timbers core-free, thus decreasing the occurrences of cracking



ground anchor

all parts used for anchoring to the ground made of hot-dip galvanised steel



Dimensions

(small deviations possible)

height	0.30 m
length	2.50 m
width	1.90 m
weight	160 kg

For more detailed explanation of the quality characteristics see price list.

Safety check according to EN 1176

Components

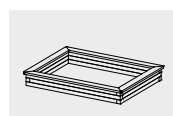
- 1 sand box
- 2 ground anchors

Installation information

Surfacing requirements
no requirements
Sand is required for correct functioning.

Foundations
(only necessary in order to immobilise the equipment)
2 ground anchors are included for fastening in the ground.

Attention:
Exact measurements may vary, for all installation dimensions refer to current installation instructions.
Technical changes reserved.



4.24305

Play value

The Sand Snake is not just an enclosure for a sand pit, but also serves as a surface for playing and "baking", or as an alternative bench which can be balanced upon. Shaped like a big animal, the Sand Snake is an artistic design element which, coupled with its versatility, makes it a very special decorative object for any playground or adventure area.

Fundamental characteristics

- high-quality design
- natural wooden surface which appeals to the senses
- due to modular system, the direction of the snake can be changed
- incentive for playing: big head with ears, smooth play and seating surface
- movement: balancing, climbing, touching it

Suitable

- for small children's areas of:
 - public playgrounds
 - playgrounds situated near houses
 - kindergartens
 - parks
- nurseries

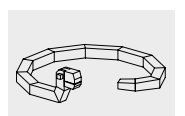


Sand Snake

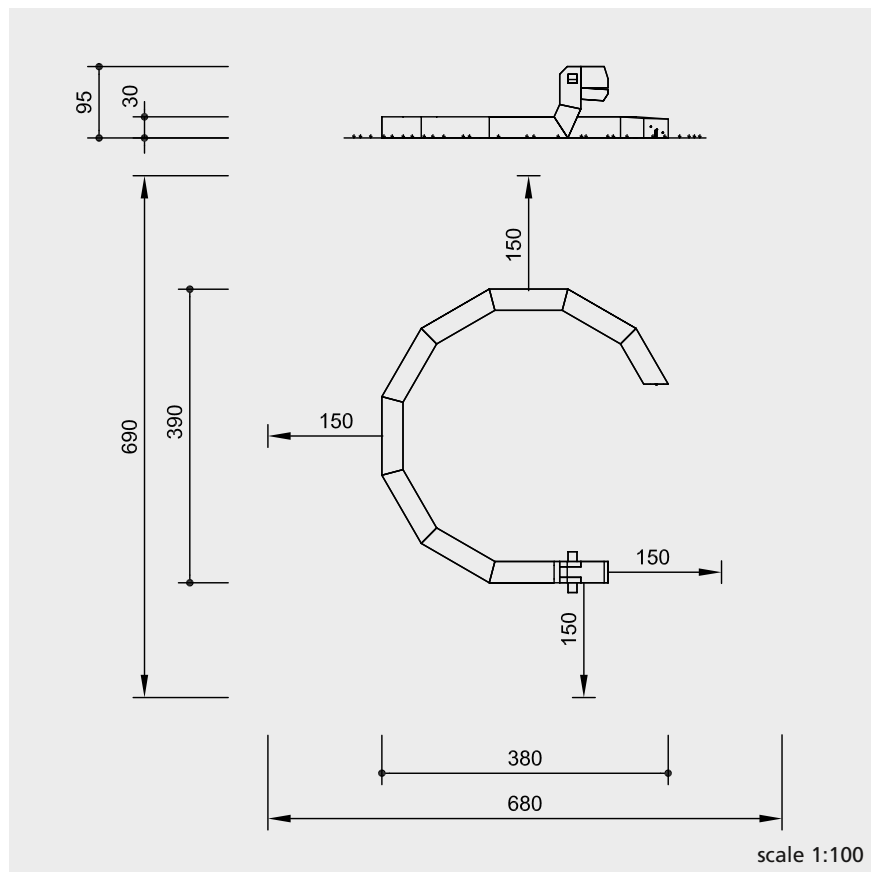


Copyright © Richter Spielgeräte GmbH 10/15

Design F. Schelb



5.00001



Safety check according to EN 1176

Technical information

equipment made of non-impregnated mountain larch, cross section 28/28 cm

ground anchor

all parts used for anchoring to the ground made of hot-dip galvanised steel

relief cut

parts which are not core-free have a kerf sawn at a suitable section of the trunk to pre-empt cracks that would form naturally or a bore hole as relief



Dimensions

(small deviations possible)

height	0.30 m
height of head	0.95 m
length	3.80 m
width	3.90 m
weight	650 kg

For more detailed explanation of the quality characteristics see price list.

Components

- 1 head
- 1 shutter for the head foundation
- 7 body elements
- 1 tail
- 3 foundation irons

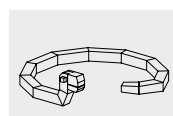
Installation information

Surfacing requirements corresponding to a fall height of ≤ 1.00 m (please refer to price list for more detailed information)
Sand is required for correct functioning.

Foundations
1 item 100 x 50 x 60 cm excavation depth 60 cm
1 item 40 x 40 x 20 cm excavation depth 40 cm

Attention:
Exact measurements may vary, for all installation dimensions refer to current installation instructions.

Technical changes reserved.



5.00001

Play value

The caterpillar is a friendly play offer for small children. The harmonious appearance of the figure and the way in which it is possible to play from both sides offer a lively and pleasant basis for smaller playing spaces. The space partitions promote communicative play, but also make it possible to create borders and divisions of the play areas. Alongside there are many different sand play offers such as sand shovel, sand dump, sieve, turntable, baking table and sand channels.



Copyright © Richter Spielgeräte GmbH 10/15

Design: F. Dorband/K. H. Thiele

Fundamental characteristics

- friendly appearance
- sand play area
- peepholes

Suitable

- for small children's areas of:
 - public playgrounds
 - playgrounds near houses
 - kindergartens
 - children's homes
 - therapy institutions for children
 - camp sites
- for nurseries

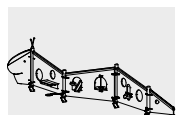
Planning information

The angles of the opposing wall elements and their number can be freely selected to a great extent. Both spread-out as well as more compact floor plans can be constructed. By freely selecting and arranging the individual elements, it is possible to carry out planning according to your requirements. The elements can also be used as partitioning play units without caterpillar head and tail.

Note

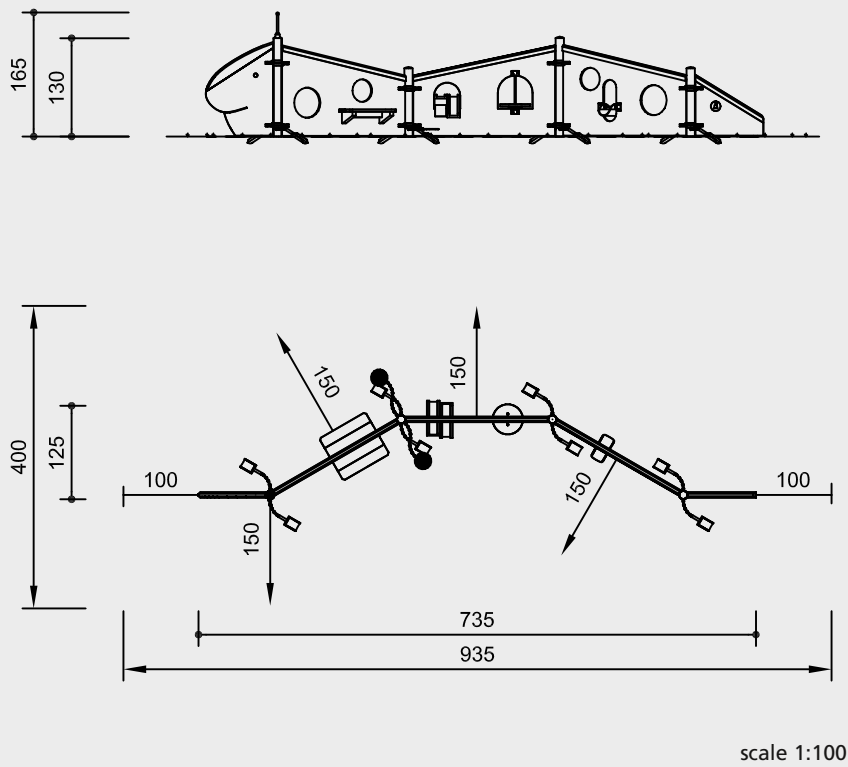
In the standard version, only the head and tail use colour in their design. The elements installed in between are also available with coloured trims (as shown in the photograph) at extra charge.

Caterpillar type 01



5.00010

Example for installation



Safety check according to EN 1176

Components

- 1 head with horns
- 1 element: baking table with 2 sand sieves and 4 shovels
- 1 element: sand see-saw and 2 shovels
- 1 element: turntable, two-way channel and 2 shovels
- 1 tail with a bell
- 4 posts

Installation information

Surfacing requirements corresponding to a fall height of ≤ 0.60 m (please refer to price list for more detailed information)

Foundations

- 4 items 50 x 50 x 40 cm excavation depth 60 cm
- 2 items 30 x 30 x 30 cm excavation depth 50 cm

Attention:

Exact measurements may vary, for all installation dimensions refer to current assembly instructions.

Technical changes reserved.

Technical information

equipment of non-impregnated mountain larch

core-free

sawn timbers core-free, thus decreasing the occurrences of cracking



tongue and groove

baking table made of 40 mm tongue and groove boarding



plywood

wall elements made of waterproof plywood board, 30 mm



Corocord@rope

special ropes of "Hercules type"

horns of six-strand Corocord@ rope of the special "Hercules type", abrasion-protected through heating of the six steel strands and melting the polyamide sleeve onto them, standard colour rainbow



ground anchor

posts for bolt on, head and tail with foundation irons made of hot-dip galvanised steel



chains

short-link chains, 5 mm, welded before hot-dip galvanisation (stainless steel chain available on request)



posts and sand sieves made of stainless steel, glass bead blasted

sand container of textile-reinforced PAH-free rubber belt, 8 mm thick

bell made of brass

colour

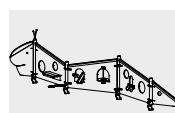
colouring with solvent-free acrylic paints: the wood is processed in a way that allows the structure of the wood to remain clearly visible

Dimensions

(small deviations possible)

height	1.65 m
height of head	1.30 m
length of the element	
head	1.00 m
middle part	2.00 m
tail	1.00 m
weight	350 kg

For more detailed explanation of the quality characteristics see price list.



5.00010

Play value

The caterpillar is a friendly play offer for small children. The harmonious appearance of the figure and the way in which it is possible to play from both sides offer a lively and pleasant basis for smaller playing spaces. The space partitions promote communicative play, but also make it possible to create borders and divisions of the play areas. This caterpillar type is equipped with a sun sail and an opportunity for role-playing games such as "kitchen". The latter can also be fitted with a water connection via a garden hose.



Copyright © Richter Spielgeräte GmbH 10/15

Design: F. Dorband/K. H. Thiele

Fundamental characteristics

- friendly appearance
- kitchen
- sun sail

Suitable

- only for **supervised** small children's areas of:
 - public playgrounds
 - playgrounds situated near houses
 - kindergartens
 - children's homes
 - therapy institutions for children
 - camping sites
- nurseries

Planning information

The angles of the opposing wall elements and their number can be freely selected to a great extent. Both spread-out as well as more compact floor plans can be constructed. By freely selecting and arranging the individual elements, it is possible to carry out planning according to your requirements. The elements can also be used as partitioning play units without caterpillar head and tail.

Note

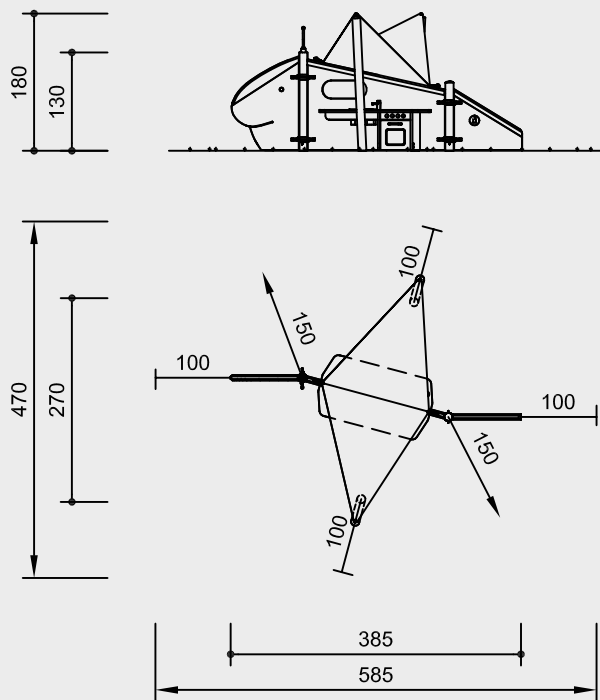
In the standard version, only the head and tail use colour in their design. The element installed in between is also available with a coloured trim at extra charge.

Caterpillar type 03



5.00020

Example of installation



scale 1:100

Safety check according to EN 1176

Components

- 1 head with horns
- 1 element: kitchen
- 1 tail with bell
- 1 sun sail
- 4 posts

Installation information

Surfacing requirements corresponding to a fall height of ≤ 0.60 m (please refer to price list for more detailed information)

Foundations

- 4 items 50 x 50 x 40 cm excavation depth 60 cm
- 2 items 30 x 30 x 30 cm excavation depth 50 cm

Attention:

Exact measurements may vary, for all installation dimensions refer to current installation instructions.

Technical changes reserved.

Technical information

equipment of non-impregnated mountain larch

core-free

sawn timbers, core-free, thus decreasing the occurrences of cracking



plywood

wall elements made of waterproof plywood board, 30 mm



Corocord® rope

special ropes of "Hercules type"

horns of six-strand Corocord® rope of the special "Hercules type", abrasion-protected through heating of the six steel strands and melting the polyamide sleeve onto them, standard colour rainbow



ground anchor

posts for bolt on, head and tail with foundation irons made of hot-dip galvanised steel



posts made of stainless steel, glass bead blasted

bell made of brass

colour

colouring with solvent-free acrylic paints; the wood is processed in a way that allows the structure of the wood to remain clearly visible

Sun Sail

diamond shaped, made of polyethersulfone, coated with acrylate on one side, high UV resistance, colour dark blue

Kitchen

hotplates made of polyamide, sink made of stainless steel, rubber buffers as knobs, sill cock with self-closing valve, quick connector for garden hose

Dimensions

(small deviations possible)

height	1.80 m
height of head	1.30 m
length of the element	
head	1.00 m
middle part	2.00 m
tail	1.00 m
weight	200 kg

For more detailed explanation of the quality characteristics see price list.



5.00020

Play value

The caterpillar is a friendly play offer for small children. The harmonious appearance of the figure and the way in which it is possible to play from both sides offer a lively and pleasant basis for smaller playing spaces. The space partitions promote communicative play, but also make it possible to create borders and divisions of the play areas. This caterpillar type is equipped with a turntable, a two-way channel and shovels.



Fundamental characteristics

- friendly appearance
- sand play equipment

Suitable

- for small children's areas of:
 - public playgrounds
 - playgrounds situated near houses
 - kindergartens
 - children's homes
 - therapy institutions for children
 - camping sites
- nurseries

Planning information

The angles of the opposing wall elements and their number can be freely selected to a great extent. Both spread-out as well as more compact floor plans can be constructed. By freely selecting and arranging the individual elements, it is possible to carry out planning according to your requirements. The elements can also be used as partitioning play units without caterpillar head and tail.

Note

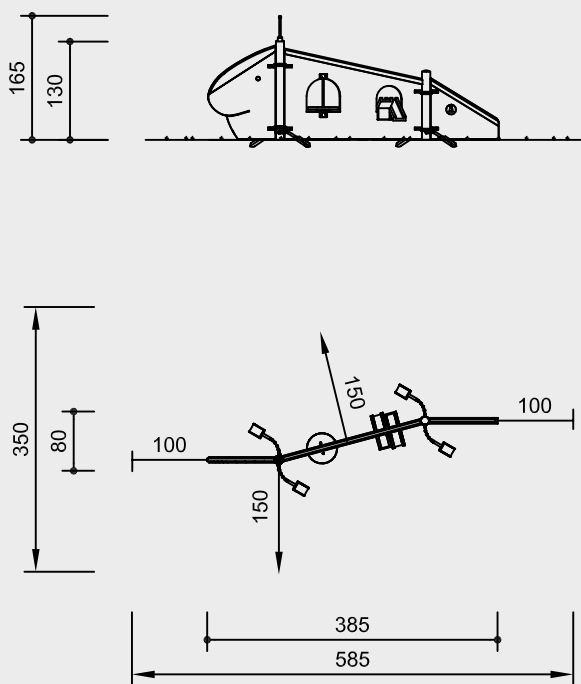
In the standard version, only the head and tail use colour in their design. The element installed in between is also available with a coloured trim (as shown in the photograph) at extra charge.

Caterpillar type 04



5.00025

Example of installation



scale 1:100

Safety check according to EN 1176

Components

- 1 head with horns
- 1 element: turntable, two-way channel, 4 shovels
- 1 tail with bell
- 2 posts

Installation information

Surfacing requirements corresponding to a fall height of ≤ 0.60 m (please refer to price list for more detailed information)

Foundations

- 2 items 50 x 50 x 40 cm excavation depth 60 cm
- 2 items 30 x 30 x 30 cm excavation depth 50 cm

Attention:

Exact measurements may vary, for all installation dimensions refer to current installation instructions.

Technical changes reserved.

Technical information

equipment of non-impregnated mountain larch

core-free

sawn timbers, core-free, thus decreasing the occurrences of cracking



plywood

wall elements and turntable made of waterproof plywood board, 30 mm



Corocord® rope

special ropes of "Hercules type"

horns of six-strand Corocord® rope of the special "Hercules type", abrasion-protected through heating of the six steel strands and melting the polyamide sleeve onto them, standard colour rainbow



ground anchor

posts for bolt on, head and tail with foundation irons made of hot-dip galvanised steel



chains

short-link chains, 5 mm, welded before hot-dip galvanisation (stainless steel chains available on request)



posts made of stainless steel, glass bead blasted

bell made of brass

colour

colouring with solvent-free acrylic paints; the wood is processed in a way that allows the structure of the wood to remain clearly visible

Dimensions

(small deviations possible)

height	1.65 m
height of head	1.30 m
length of the element	
head	1.00 m
middle part	2.00 m
tail	1.00 m
weight	150 kg

For more detailed explanation of the quality characteristics see price list.



5.00025



Function and Play value

The Building Site is one of our “work” play offers and provides children with the opportunity to realistically mimic the working world of adults. Heavy loads can be moved using rollers, sand or gravel can be tipped into channels and tubes, a bucket wheel turns around and, depending on the model, a tipper tray also fills up. Carrying out a joint undertaking fosters creative cooperation. The structure should be installed in a bed of sand or gravel. This will allow the element of earth to be ideally incorporated into the play activity.

Fundamental characteristics

- child-oriented dimensions according to ergonomic knowledge
- naturally shaped de-barked posts
- appealing to the senses with its space-defining design
- high-quality design
- numerous play offers
- sturdy tongue and groove floor allows for large play space below the platform
- high play value with low space requirement
- can be combined with other equipment
- incentive for playing: sand hoists, sand wheel, chains
- movement: physical exertion, climbing

Suitable

- for children from 3 years of age
- for public playgrounds
- playgrounds situated near houses
- kindergartens/nurseries
- children’s homes
- leisure areas of elementary schools



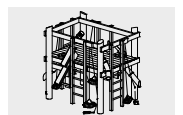
Order No. L5.01000 Building Site larch version

Building Site

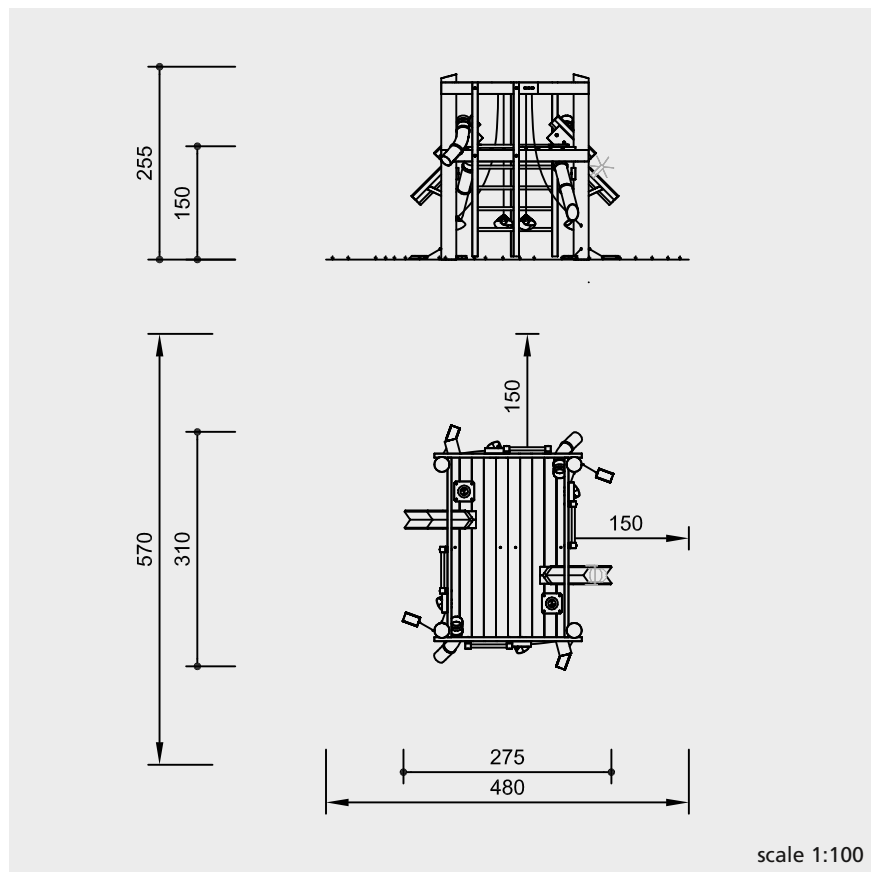


© Richter Spielgeräte GmbH 10/15

Design and Copyright



5.01000



safety check according to EN 1176

Components

- 1 platform
- 4 ladders
- 4 sand hoists with 4 shovels
- 4 sand pipes
- 2 sand chutes, 2 levels, 1 sand wheel

Installation information

Surfacing requirements corresponding to a fall height of ≤ 1.50 m (please refer to price list for more detailed information)
 Sand is required for correct functioning.

Foundations
 4 items 60 x 60 x 60 cm
 excavation depth 80 cm

Attention:
Exact measurements may vary, for all installation dimensions refer to current installation instructions.
 Technical changes reserved.
Equipment also available with steel feet or made of larch.

Technical information

de-barked
 de-barked posts, \varnothing 18 - 21 cm, of spruce/fir, boiler pressure impregnated according to DIN 68800-3, use class 4



angle cut
 vertical stand posts with angle cut in the end grain section as constructive wood preservation



perforated
 the earth/air zone of the wood is perforated by small bore holes to ensure that the impregnating agent penetrates this particularly endangered zone



core-free
 sawn timber of non-impregnated mountain larch, core-free thus decreasing the occurrence of cracking



tongue and groove
 platform floor made of 40 mm tongue and groove boarding



hardwood rungs
 climbing rungs of hardwood, milled and mortised, \varnothing 42 mm



chains
 short-link chains, 5 mm, welded before hot-dip galvanisation (stainless steel chains available on request)



sand pipes made of plastic, wall thickness approx. 7 mm

sand container of textile-reinforced PAH-free rubber belt, 8 mm thick

sand wheel hot-dip galvanised

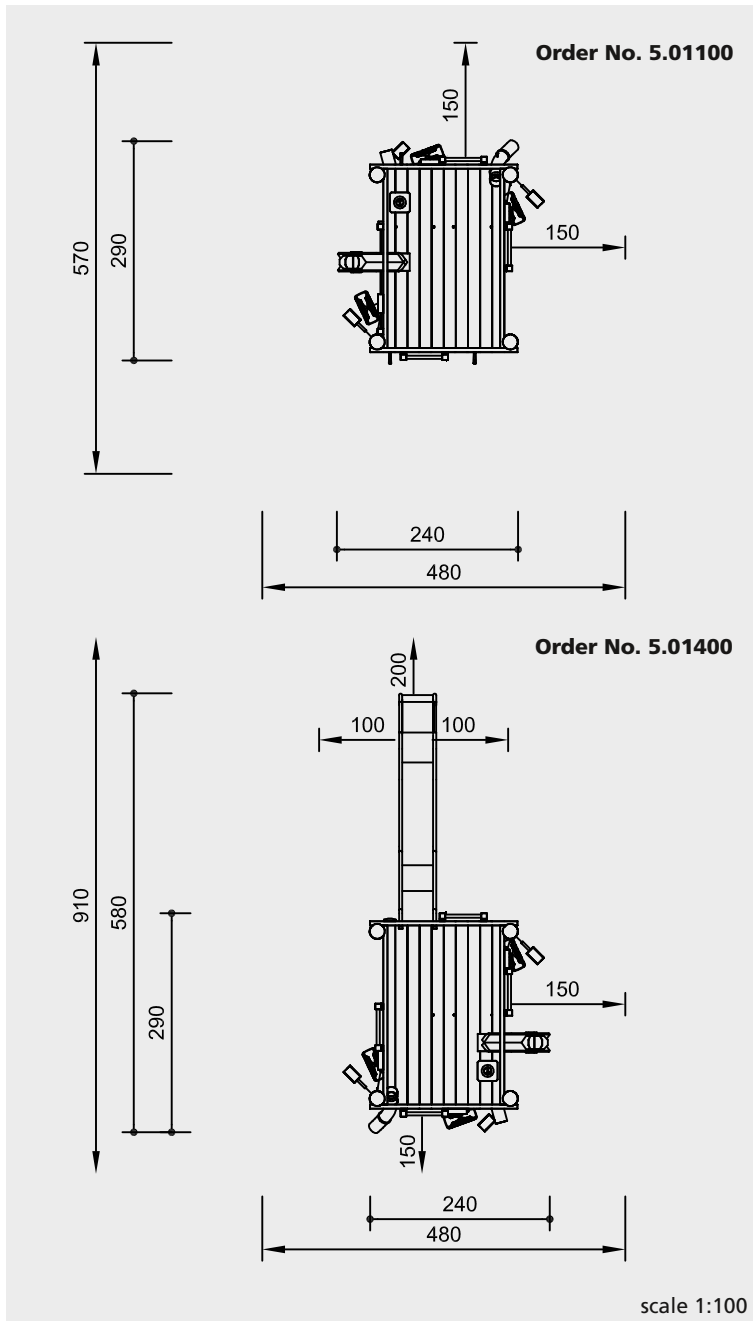
Dimensions
 (small deviations possible)

height	2.55 m
platform height	1.50 m
platform floor	1.60 x 2.50 m
length	3.10 m
width	2.75 m
weight	700 kg

Please refer to the price list for a more detailed explanation of the quality characteristics.



5.01000



scale 1:100

safety check according to EN 1176

Components

Order No. 5.01100

- 1 platform
- 3 ladders
- 3 sand hoists with 3 shovels
- 2 sand pipes
- 1 sand chute, 2 levels, 1 sand wheel
- 3 walls
- 2 benches, 1 table

Order No. 5.01500

description of materials as before, but in addition:
 1 stainless steel slide with ground anchor Order No. 3.63020

Order No. 5.01400

- 1 platform
- 4 ladders
- 3 sand hoists with 3 shovels
- 2 sand pipes
- 1 sand chute, 2 levels, 1 sand wheel
- 1 stainless steel slide with ground anchor Order No. 3.63020

Installation information

Surfacing requirements corresponding to a fall height of ≤ 1.50 m (please refer to price list for more detailed information)
 Sand is required for correct functioning.

Foundations

Basic Building Site
 4 items 60 x 60 x 60 cm
 excavation depth 80 cm

Slide
 excavation depth for ground anchor 55 cm

Technical changes reserved.
Equipment also available with steel feet or made of larch.

Technical information

de-barked

de-barked posts, Ø 18-21 cm, of spruce/ fir, boiler pressure impregnated according to DIN 68800-3, use class 4



angle cut

vertical stand posts with angle cut in the end grain section as constructive wood preservation



perforated

The earth/air zone of the wood is perforated by small bore holes to ensure that the impregnating agent penetrates this particularly endangered zone.



core-free

cut timber of non-impregnated mountain larch, core-free thus decreasing the occurrence of cracking



claddings

thickness 4 – 5 cm, de-barked by hand, of non-impregnated mountain larch



tongue and groove

platform floor made of 40 mm tongue and groove boarding



hardwood rungs

climbing rungs of hardwood, milled and mortised, Ø 42 mm



one-piece construction

slide made of 2 mm stainless steel, mould-profiled longitudinally, no welding seams along the sliding surface



chains

short-link chains, 5 mm, welded before hot-dip galvanisation (stainless steel chains available on request)



sand pipes made of plastic, wall thickness approx. 7 mm
 sand container of textile-reinforced PAH-free rubber belt, 8 mm thick

sand wheel hot-dip galvanised

Dimensions

(small deviations possible)

height	2.55 m
platform height	1.50 m
platform floor	1.60 x 2.50 m
length	2.90 m
with slide	5.80 m
width	2.40 m
weight	

Order No. 5.01100 800 kg

Order No. 5.01400 700 kg

Order No. 5.01500 850 kg

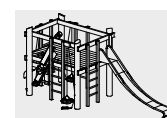
Attention:

Exact measurements may vary; for all installation dimensions refer to current installation instructions.

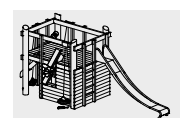
Please refer to the price list for a more detailed explanation of the quality characteristics.



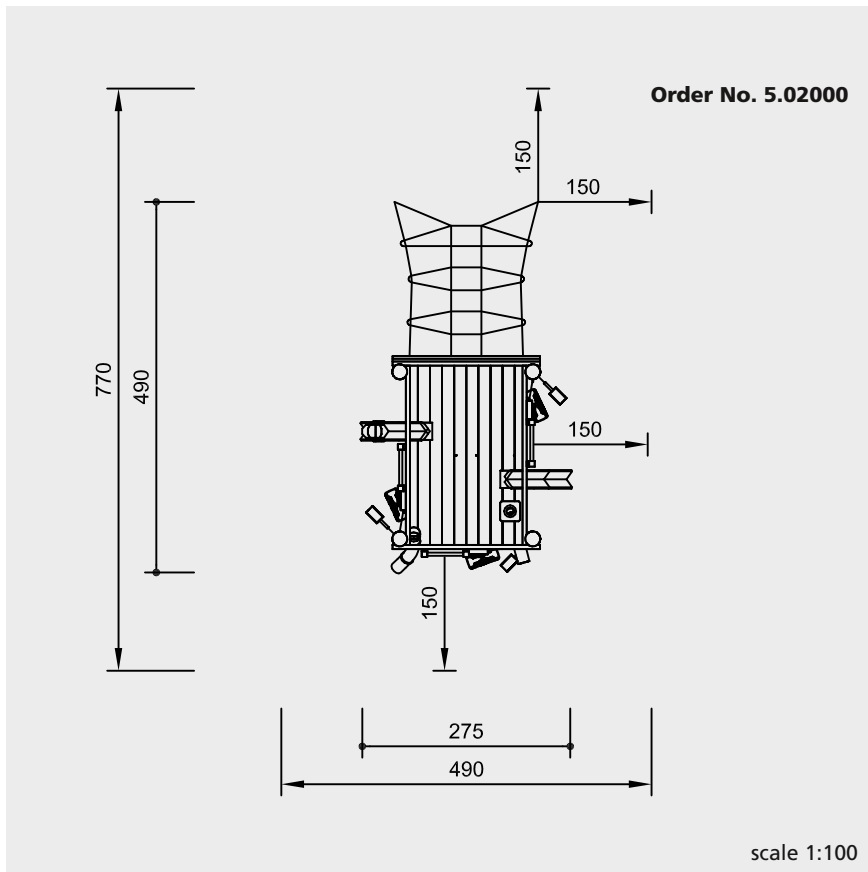
5.01100



5.01400



5.01500



safety check according to EN 1176

Components

- 1 platform, height 1.50 m
- 3 ladders
- 3 sand hoists with 3 shovels
- 2 sand pipes
- 2 sand chutes, 2 levels, 1 sand wheel
- 1 inclined climbing net

Installation information

Surfacing requirements corresponding to a fall height of ≤ 1.50 m (please refer to price list for more detailed information)
 Sand is required for correct functioning.

- Foundations**
- Basic Building Site**
4 items 60 x 60 x 60 cm
excavation depth 80 cm
 - Inclined Climbing Net**
2 items 50 x 50 x 40 cm
excavation depth 80 cm

Attention:
Exact measurements may vary; for all installation dimensions refer to current installation instructions.
 Technical changes reserved.
Equipment also available with steel feet or made of larch with steel feet.



5.02000

Technical information

de-barked
 de-barked posts, Ø 18 - 21 cm, of spruce/fir, boiler pressure impregnated according to DIN 68800-3, use class 4



angle cut
 vertical stand posts with angle cut in the end grain section as constructive wood preservation



perforated
 the earth/air zone of the wood is perforated by small bore holes to ensure that the impregnating agent penetrates this particularly endangered zone



core-free
 sawn timber of non-impregnated mountain larch, core-free thus decreasing the occurrence of cracking



tongue and groove
 platform floor made of 40 mm tongue and groove boarding



hardwood rungs
 climbing rungs of hardwood, milled and mortised, Ø 42 mm



Corocord® rope special ropes of "Hercules type"
 six-strand Corocord® rope of the special "Hercules type", abrasion-protected through heating of the six steel strands and melting the polyamide sleeve onto them, standard colour red



aluminium swages
 double-conical aluminium swages with rounded-off ends



S-clamps
 neatly rounded Corocord® S-clamps made of stainless steel, Ø 8 mm



rope connection fixed
 close fitting connection without dangerous openings



chains
 short-link chains, 5 mm, welded before hot-dip galvanisation (stainless steel chains available on request)



sand pipes made of plastic, wall thickness approx. 7 mm

sand container of textile-reinforced PAH-free rubber belt, 8 mm thick

sand wheel hot-dip galvanised

Dimensions
 (small deviations possible)

height	2.55 m
platform height	1.50 m
platform floor	1.60 x 2.50 m
length	4.90 m
width	2.75 m
weight	700 kg

Please refer to the price list for a more detailed explanation of the quality characteristics.

Play value

Our Building Site Combination offers numerous opportunities for creative play and exercise. The platform can be reached via a climbing net and ladder, while the slide offers a swift getaway. The diverse “work” equipment, hut and the play area under the platform invite children to hide away and engage in different kinds of role-playing games. Working together on the building site is equally enjoyable for both big and small children.



Order No. L5.03000 Building Site Combination 03 larch version

Building Site Combination 03

Fundamental characteristics

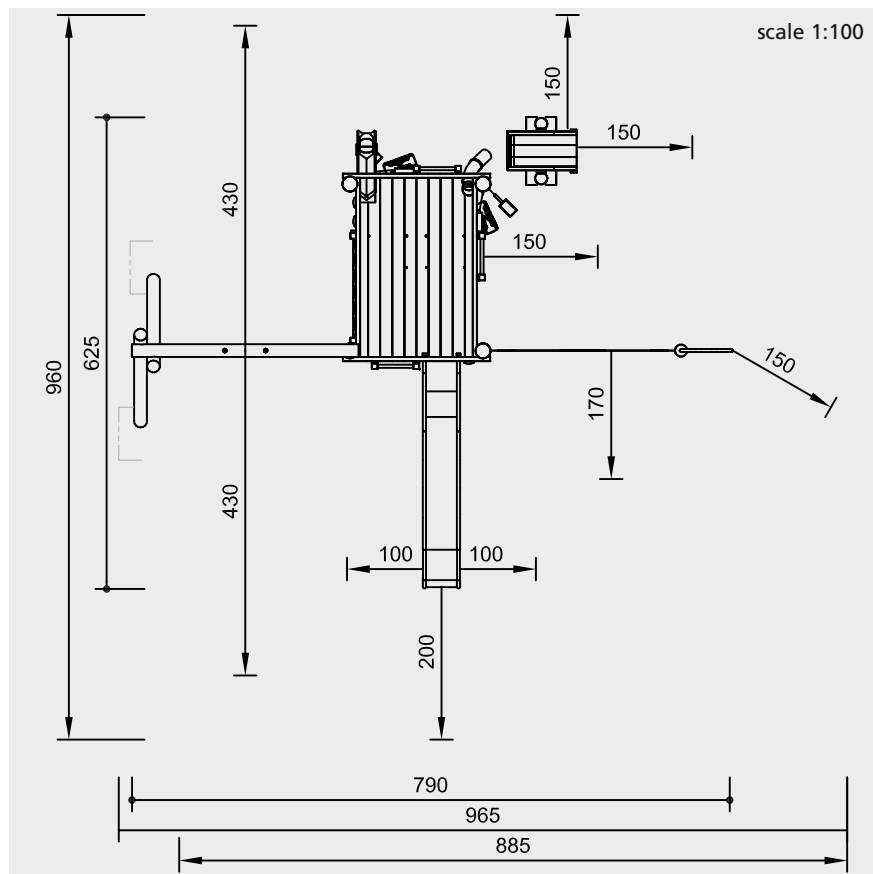
- child-oriented dimensions according to ergonomic knowledge
- space-defining design and natural wooden surface appeal to the senses
- offers a range of play opportunities
- large play area underneath the platform
- incentive for playing: sand hoists, sand wheel, chains, climbing net, swing, slide
- movement: physical effort, climbing, swinging, sliding

Suitable

- for children from 4 years of age
- for public playgrounds
- playgrounds situated near houses
- kindergartens
- after-school programmes
- children’s homes
- school playgrounds



5.03000



safety check according to EN 1176

Components

- 1 platform
- 3 walls
- 2 benches
- 1 table
- 3 ladders
- 2 sand hoists with 2 shovels
- 1 bent sand pipe
- 1 sand chute, 2 levels, 1 sand wheel
- 1 balustrade at the side of the swing
- 1 single swing with swing suspension
- 1 vertical climbing net with firemen's pole Order No. 3.69350
- 1 stainless steel slide with ground anchor Order No. 3.63020
- 1 sand tipper Order No. 5.01200

Installation information

Surfacing requirements depend on overall construction corresponding to a fall height of ≤ 2.00 m (please refer to price list for more detailed information)
Sand is required for correct functioning.

- Foundations**
- Basic Building Site**
4 items 60 x 60 x 60 cm
excavation depth 80 cm
 - Stainless Steel Slide**
excavation depth for ground anchor 55 cm
 - Vertical Climbing Net**
1 item 60 x 60 x 60 cm
excavation depth 80 cm
 - Firemen's Pole**
1 item 40 x 40 x 30 cm
excavation depth 50 cm
 - Single Swing**
2 items 60 x 70 x 60 cm
excavation depth 80 cm
 - Sand Tipper**
1 item 135 x 60 x 50 cm
excavation depth 70 cm

Attention: Exact measurements may vary, for all installation dimensions refer to current installation instructions.

Technical changes reserved.
Equipment also available with steel feet or made of larch with steel feet.

Technical information

Basic Building Site
refer to Order No. 5.01000

claddings
hut with claddings thickness 4 - 5 cm, de-barked by hand, of non-impregnated mountain larch



Corocord® rope
special ropes of "Hercules type"
six-strand Corocord® rope of the special "Hercules type", abrasion-protected through heating of the six steel strands and melting the polyamide sleeve onto them, standard colour red



aluminium swages
double-conical aluminium swages with rounded-off ends



S-clamps
neatly rounded Corocord® S-clamps made of stainless steel, Ø 8 mm



secure rope connection
close fitting connection without dangerous openings



rubber seat
rubber seat with anatomically correct shape, strong profiled steel insert and soft shock absorbing edge



swing joint
drop-forged, hot-dip galvanised swing joint with bush with graphite sleeve for self-lubrication and integrated swivel



adjustable
easy to maintain, no projecting threads after re-tightening due to two-piece bolt connection



strong fastening
bolt connections with milled metal rings for connections that are stressed cross-wise



brass bush
for all to and fro movements we use bush bearings which allow for self-lubrication while in use



one-piece construction
slide made of 2 mm stainless steel, mould-profiled longitudinally, no welding seams along the sliding surface



Firemen's Pole Ø 42 mm, stainless steel, glass bead blasted

sand container of textile-reinforced PAH-free rubber belt, 8 mm thick

Dimensions
(small deviations possible)

height	3.00 m
platform height	1.50 m
platform floor	1.60 x 2.50 m
length	6.25 m
width	7.90 m
vertical net	1.75 x 2.50 m
weight	1200 kg

Please refer to the price list for a more detailed explanation of the quality characteristics.



5.03000

Play value

Children love to imitate the world of grown-ups and the lively activity on a building site is particularly attractive. With its range of different elements, our Transport System offers a wealth of opportunities for role playing. Conveyor tracks, re-loading stations, container wagons, cranes, hoists and shovels enable children-friendly "construction work", promote cooperation and creativity and stimulate cognitive processes.



This photo shows the Transport System combined with the Building Site 5.01000.

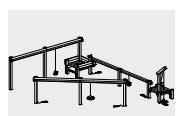
Fundamental characteristics

- use of natural wood which appeals to the senses
- can be combined with other equipment
- incentive for playing: hoisting, pouring, moving and reloading material

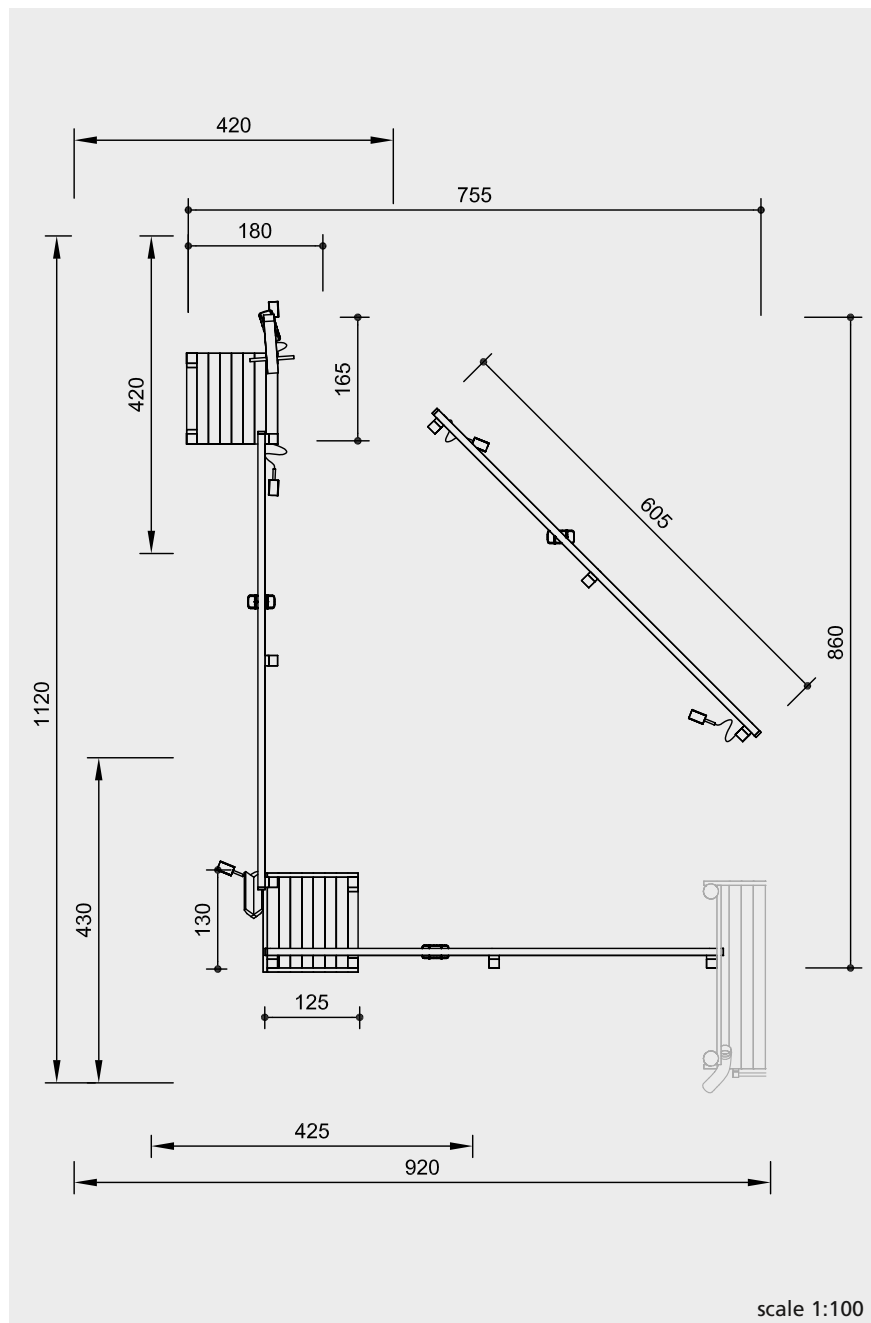
Suitable

- for children from 5 years of age
- for public playgrounds
- playgrounds situated near houses
leisure areas
children's homes
open-air swimming pools

Transport System



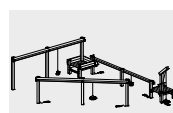
5.05000



safety check according to EN 1176

Components

- 3 transport rails
- 6 stand posts
- 3 tyre segments, 2 shovels
- Sand Platform with Channel**
- 1 pedestal with step and balustrade on 3 sides
- 1 sand chute
- 1 shovel
- Sand Platform with Crane**
- 1 pedestal with step
- 1 crane
- 2 shovels



5.05000

Installation information

corresponding to a fall height of ≤ 0.60 m (please refer to price list for more detailed information)

Play sand is required for correct functioning.

Foundations

Transport Rails
6 items 50 x 50 x 50 cm
excavation depth 70 cm

Sand Platforms
8 items 50 x 50 x 40 cm
excavation depth 70 cm

Attention:

Exact measurements may vary; for all installation dimensions refer to current assembly instructions.
Technical changes reserved.
Equipment also available with steel feet.

Technical information

equipment of non-impregnated mountain larch, stand posts 14/14 cm, made of oak heartwood

core-free timber

sawn timbers, core-free, thus decreasing occurrences of cracking



tongue and groove

pedestal floors made of 40 mm tongue and groove boarding



chains

short-link chains, 5 mm, welded before hot-dip galvanisation (stainless steel chain available on request)



transport rails galvanised, with rubber buffer

sand container of textile-reinforced PAH-free rubber belt, 8 mm thick

container wagon with hand protection

sand crane, revolving 350°, axially connected to post, with maintenance-free turning mechanism

Dimensions

(small deviations possible)

Transport Rails

height	1.25 m
	1.75 m
	2.30 m
length	6.00 m each

Sand Platforms

pedestal height	0.60 m
side length	1.30 x 1.25 m
weight	420 kg

Please refer to the price list for a more detailed explanation of the quality characteristics.

Play value

Sand Transport Systems are part of a building site. Conveyor tracks, cranes, sand hoists and other elements, enable children to mimic work processes realistically. Insights are awakened through play. In combination with a Building Site the experience is deepened, creativity and co-operation are promoted.



Order No. 5.06200 Type II

Fundamental characteristics

- child proportions according to ergonomic requirements
- natural wooden surface which appeals to the senses
- high-quality design
- comprehensible technical details
- communication and cooperation are promoted
- incentive for playing: crane, travelling crabs, long tracks
- movement: physical effort, pushing

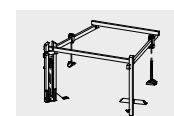
Suitable

- for children from 3 years
- for public playgrounds
- playgrounds situated near houses
- nurseries
- children's homes
- elementary schools

Planning Information

The single elements can be combined individually.

Sand Transport System for attachment

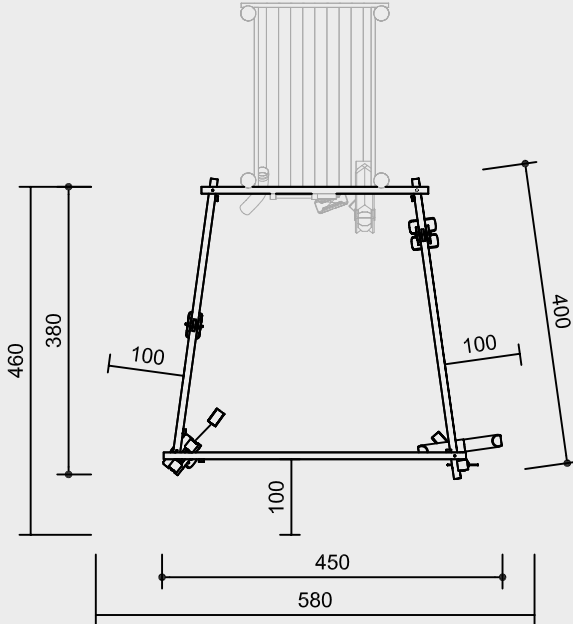
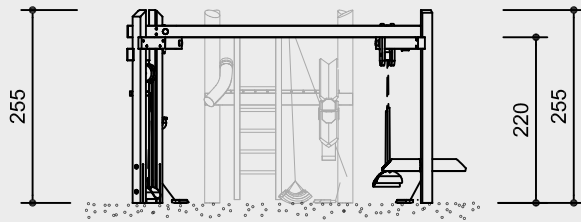


5.06100

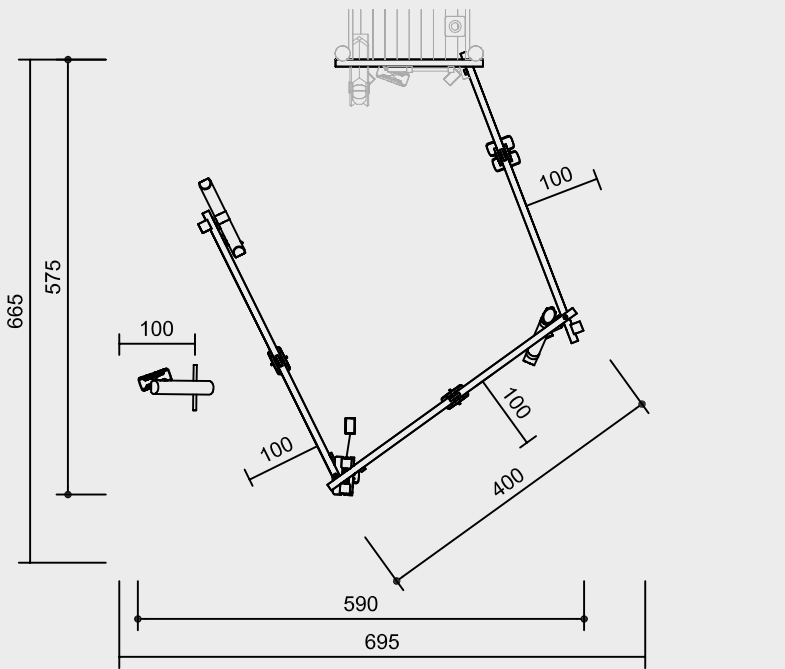
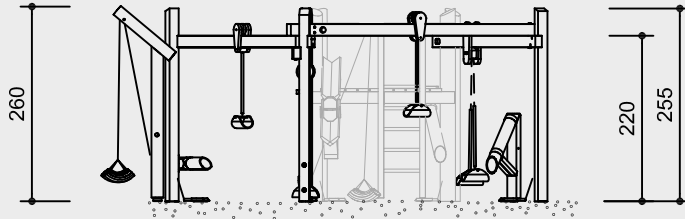


5.06200

Order No. 5.06100 Sand Transport System Type I

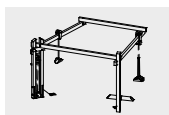


Order No. 5.06200 Sand Transport System Type II

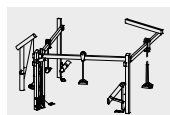


scale 1:100

Safety check according to EN 1176



5.06100



5.06200

Attention:
Exact measurements may vary, for all installation dimensions refer to current installation instructions.
Technical changes reserved.

Technical information

equipment of non-impregnated mountain larch

angle cut

vertical support posts with angle cut in the end grain section as constructive wood preservation



core-free

sawn timbers core-free, by that formation of cracks can be reduced



ground anchor

all parts used for anchoring to the ground made of hot-dip galvanised steel



chains

suspended on short-link chains, 5 mm, welded before hot-dip galvanisation (stainless steel chains available on request)



ball bearing

rollers with low-maintenance ball bearings



sand container of textile-reinforced PAH-free rubber belt, 8 mm thick, suspended on hose sleeved chains
chutes of plastic
bearing of the chute with dampened impact
sand crane and turning crane, revolving 350°, with maintenance free turning mechanism

Dimensions

(small deviations possible)

height	2.55 m
height sand crane	2.60 m
length of conveyor tracks	4.00 m
chutes diameter	0.16 m
weight Type I	250 kg
Type II	350 kg

Components Type I and II

- 1 support frame with steel feet and sand hoist
- 1 middle support post with steel foot
- 3 conveyor tracks
- 1 connection to base equipment
- 1 travelling crab with double sand hoist
- 2 travelling crabs with 1 sand container each
- 1 see-saw chute
- 2 shovels with chain
- in addition to Type II**
- 1 end support with steel foot
- 1 rotating beam with chute
- 1 turning crane with sand hoist and steel foot
- 1 shovel with chain

Installation information

no surfacing requirements (please refer to pricelist for more detailed information)
Sand is required for proper function

Foundations

Order No. 5.06100

2 items 60 x 80 x 60 cm
excavation depth 80 cm

Order No. 5.06200

3 items 60 x 80 x 60 cm
excavation depth 80 cm
2 items 60 x 60 x 60 cm
excavation depth 80 cm

For more detailed explanation of the quality characteristics see price list.



Play value

The play possibilities of the Small Building Site contain operations similar to the working world of adults which can be copied. The technical design is attracting and motivating, the work processes encourage communication and cooperation.

Fundamental characteristics

- child proportions according to ergonomic requirements
- natural wooden surface which appeals to the senses
- attractive, clear design
- technical appearance
- play offers for several children
- encouraging cooperation
- incentive for playing: rollers with chains, sieve, shovels
- movement: physical effort

Suitable

- for children from 3 years
- for public playgrounds
- playgrounds near houses
- nurseries
- children's homes
- elementary schools
- leisure areas



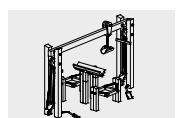
Fixing of the Transport Rail technically changed

Small Building Site

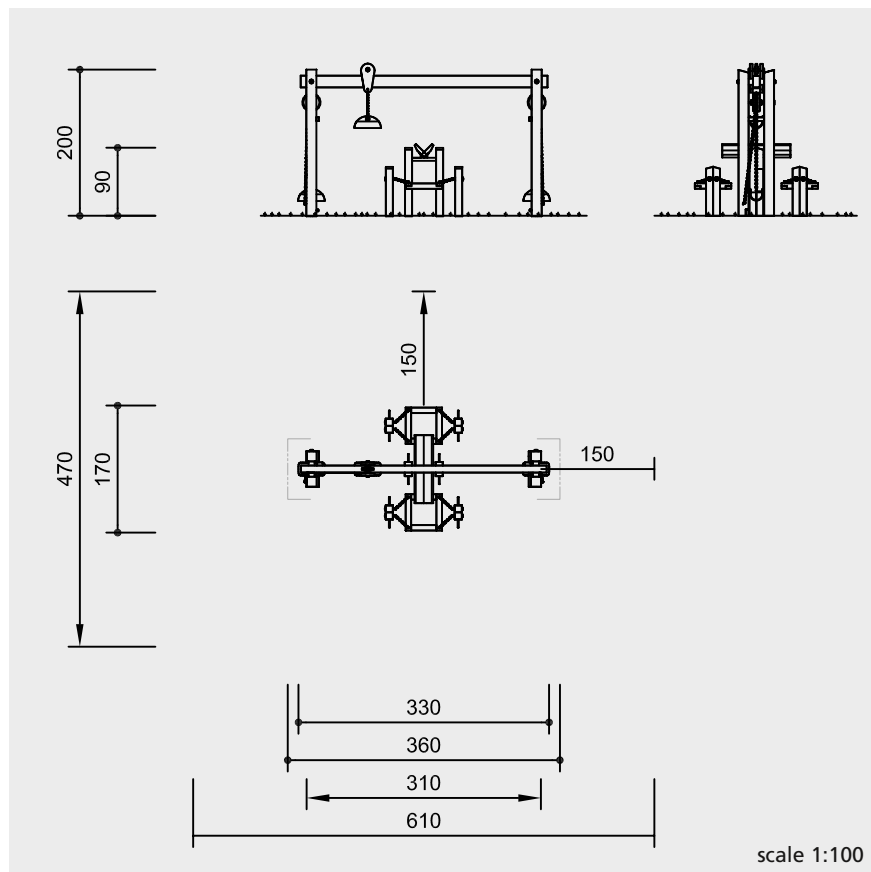


Copyright © Richter Spielgeräte GmbH 10/15

Design P. Hannes



5.09300



Safety check according to EN 1176

Components

- 2 support frames with 1 hoist and 1 shovel each
- 1 transport rail with roller and sand container
- 1 sieving device with see-saw and 2 sieves

Installation information

Surfacing requirements corresponding to a fall height of ≤ 0.60 m (please refer to price list for more detailed information)

Sand is required for proper function.

Foundations

Transport frame

2 items 60 x 80 x 50 cm

Sand see-saw

1 item 60 x 60 x 50 cm

Sand sieves

4 items 40 x 50 x 50 cm excavation depth each 70 cm

Attention:

Exact measurements may vary, for all installation dimensions refer to current installation instructions.

Technical changes reserved.

Support frames also available with steel feet (stand posts made of larch).

Technical information

core-free

sawn timbers are core-free, by that formation of cracks can be reduced; support posts of oak wood, horizontal beams and see-saw of non-impregnated mountain larch



concealed head

large surface for pressure distribution, prevents water from getting inside, protects the bolt head



adjustable

no projecting threads after re-tightening due to two-piece bolt connection and therefore easy to maintain



chains

suspended on short-link chains, 5 mm, welded before hot-dip galvanisation (stainless steel chains available on request)



ball bearing

wheels of sand hoist with low-maintenance ball bearings



sieves of stainless steel

sand container of textile-reinforced PAH-free rubber belt, 8 mm thick

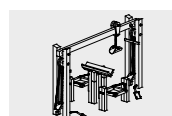
sand see-saw mounted on rubber torsion bushes

Dimensions

(small deviations possible)

height	2.00 m
height sand see-saw	0.90 m
length	3.30 m
width	1.70 m
weight	300 kg

For more detailed explanation of the quality characteristics see price list.



5.09300

Play value

The Water Building Site is a versatile piece of play equipment which ensures intensive play with the elements of water, sand and earth, even in a small area. If there is a suction pump on the top platform, providing the workers with water, the game achieves another dimension and real work can take place. Building and work games are pursued with intensity by children and they promote creativity and cooperation.



Fundamental characteristics

- child proportions according to ergonomic requirements
- naturally shaped, de-barked posts and use of natural wood which appeals to the senses
- technical construction evokes interest
- versatile play offers for several children
- high play value on a limited space
- incentive for playing: water, sand wheel, sand hoists, chains, water channels
- movement: physical effort, climbing



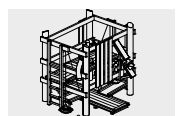
Suitable

- for children from 4 years
- for public playgrounds
playgrounds situated near houses
outdoor swimming pools
elementary schools

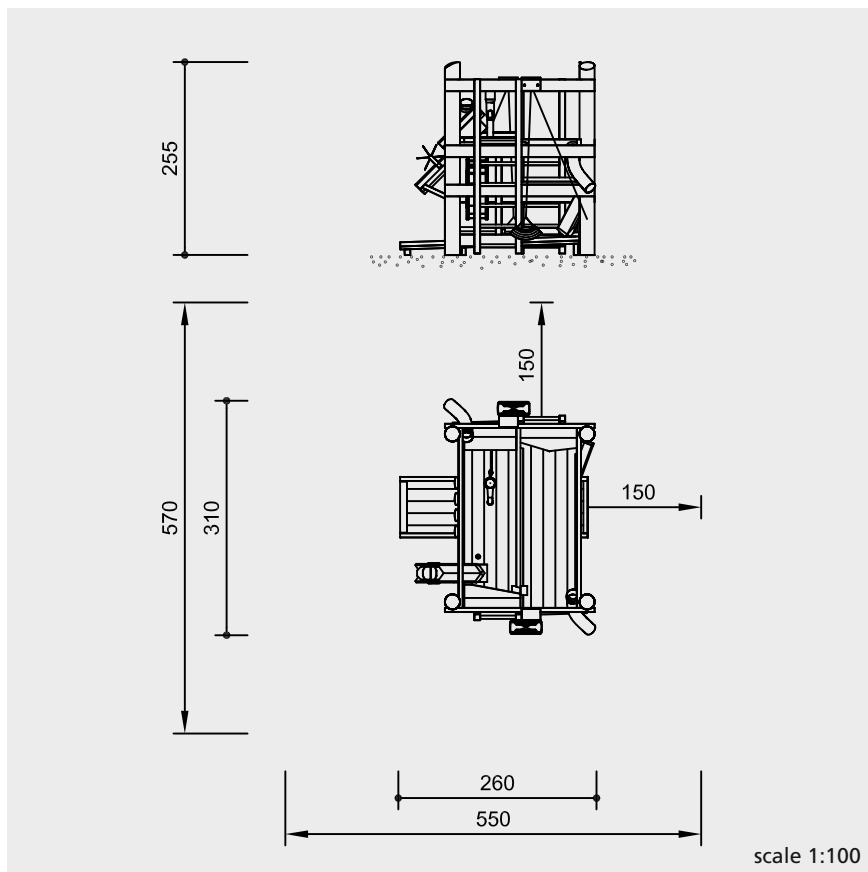
Water Building Site

Copyright © Richter Spielgeräte GmbH 10/15

Design G. Beltzig



5.09500



Safety check according to EN 1176

Components

- 1 Platform structure with 3 set floors
- 2 Ladders
- 2 Sand Hoists
- 2 Shovels
- 2 Flat Water Channels
- 1 V-shaped Water Channel
- 1 Mill Wheel of wood
- 2 Sand Pipes
- 1 Sand Chute, 2 layers
- 1 Sand Wheel
- 1 Playground Pump **Order No. 5.17510**

Note

Additionally Valve combination for direct connection to main please order **Order No. 5.17130.**

Installation information

Surfacing requirements corresponding to a fall height of ≤ 1.50 m (please refer to price list for more detailed information)

Sand is required for proper function. Caution: effective drainage should be ensured.

Foundations
4 items 60 x 60 x 40 cm
excavation depth 80 cm
water connection according to local situation

Individual solutions for the water supply must be devised, depending on the plans. Up-to-date details on the connection for the water supply and other technical information is available to download as a table at our website www.richter-spielgeraete.de. Go to "Products" and then to the applicable piece of equipment.

Attention:
Exact measurements may vary, for all installation dimensions refer to current installation instructions.
Technical changes reserved.
Equipment also available with steel feet or made of larch.

Technical information

de-barked posts

de-barked posts, \varnothing 18 - 21 cm, of spruce/fir, boiler pressure impregnated according to DIN 68800-3, use class 4



angle cut

vertical support posts with angle cut in the end grain section as constructive wood preservation



perforated

the earth/air zone of the wood is perforated by small bore holes to ensure that the impregnating agent penetrates this particularly endangered zone



core-free timbers

sawn timbers of non-impregnated mountain larch, core-free, by that formation of cracks can be reduced



claddings

thickness 4 - 5 cm, de-barked by hand, of non-impregnated mountain larch



tongue and groove

platform boards of 40 mm tongue and groove boarding



hardwood rungs

climbing rungs of hardwood, milled and mortised, \varnothing 42 mm



chains

suspended on short-link chains, 5 mm, welded before hot-dip galvanisation (stainless steel chains available on request)



chutes of plastic, wall thickness approx. 7 mm

sand container of textile-reinforced PAH-free rubber belt, 8 mm thick

sand wheel hot-dip galvanised

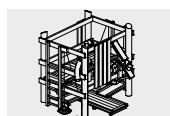
Description of Mill Wheel and Pump see separate catalogue page.

Dimensions

(small deviations possible)

height	2.55 m
Platform heights	0.25 m
	0.90 m
	1.50 m
Platform floors	0.80 x 2.50 m
length	2.60 m
width	3.10 m
weight	900 kg

For more detailed explanation of the quality characteristics see price list.



5.09500

Play value

Our Water Combination "Small Fish" offers very special fun for big and small children. Installed in sand and equipped with a staircase, platform, a mushroom spring, water channels and a bucket wheel, it gives free reign to childhood fantasy in different role-playing games. Moreover the senses are stimulated and creativity is promoted by the elements water and sand. The two colourfully painted fish on the outer side of the platform also provide small playgrounds with an appealing and inviting appearance.



Water Combination "Small Fish"

Fundamental characteristics

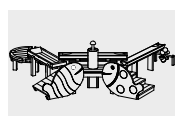
- child-oriented dimensions according to ergonomic requirements
- the space-defining design and the natural surface appeal to the senses
- high-quality design
- combination for role-playing games, "work" play and activity
- exercise activity: climbing up and around, pumping, jumping

Suitable

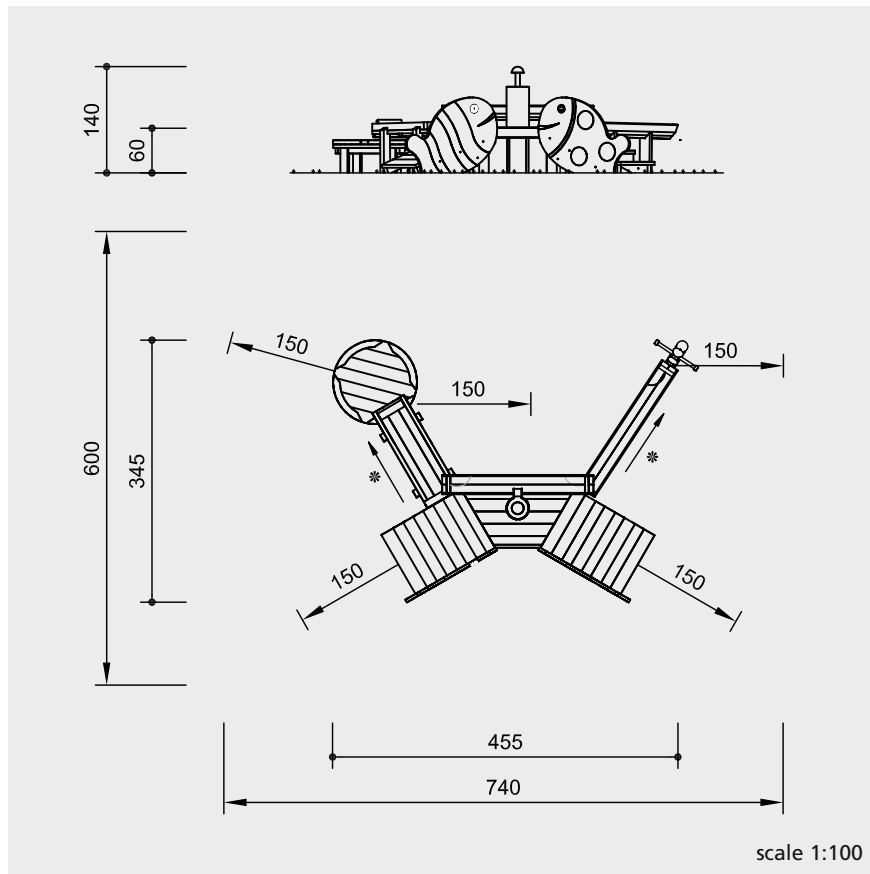
- for children from 3 years of age
- for public playgrounds
- playgrounds situated near houses
- kindergartens
- after-school programmes
- children's homes

Copyright © Richter Spielgeräte GmbH 10/15

Design: Dorband/Thiele/Beltzig/Gaier



5.10010



safety check according to EN 1176

Components

- 1 staircase
- 2 ramps, each with side part in the shape of a fish
- 1 platform
- 6 foundation irons
- 1 mushroom spring, order No. 5.18000 incl. winter lid
- 1 small bucket wheel, order No 5.15910
- 1 triangular channel with steel feet
- 1 horizontal channel with steel feet
- 1 channel with shutter with steel feet
- 1 round mud table with steel feet

Installation information

Surfacing requirements

Platform

corresponding to a fall height of ≤ 0.60 m (please refer to price list for more detailed information)

Water mud equipment

No fall height according to standard; staircase-like constructions may require an examination of the fall height. Recommendation: sand with drainage or pavement with gully and corresponding landscaping. Take into account that sand is required for "playing in the mud".

Foundations

Fish

6 items 30 x 30 x 30 cm excavation depth 50 cm

Triangular Channel

2 items 50 x 50 x 50 cm excavation depth 70 cm

Horizontal Channel

2 items 50 x 50 x 40 cm excavation depth 60 cm

Channel with Shutter

2 items 50 x 90 x 50 cm excavation depth 70 cm

Mud Table

2 items 50 x 100 x 50 cm excavation depth 70 cm

Small Bucket Wheel

1 item 50 x 90 x 30 cm excavation depth 70 cm

Attention:

Exact measurements may vary; for all installation dimensions refer to current assembly instructions.

Technical changes reserved.

Technical information

equipment of non-impregnated mountain larch

angle cut

vertical stand posts with angle cut in the end grain section as constructive wood preservation



core-free timber

sawn timbers core-free, thus decreasing occurrences of cracking



plywood

side walls made of waterproof larch plywood board, 40 mm



tongue and groove

platform floor of 40 mm tongue and groove boarding



ground anchor

all parts used for anchoring to the ground made of hot-dip galvanised steel



ball bearings

low-maintenance ball bearings



colour

solvent-free acrylic paints are used for colouring; the wood is painted in a way which allows the structure of the wood to remain clearly visible

For a description of the mushroom spring and small bucket wheel, please refer to the separate catalogue pages.

Dimensions

(small deviations possible)

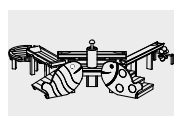
height	1.40 m
platform height	0.60 m
length	4.55 m
width	3.45 m
weight	600 kg

Planning information

Equipment marked with a pointing arrow must be installed with a gradient of approx. 2% (= 2 cm on 1 m).

This means that for planning, not only the height of the equipment but also the gradient must be taken into consideration.

Individual solutions for the water supply must be devised, depending on the plans. Up-to-date details on the connection for the water supply and other technical information is available to download as a table at our website www.richter-spielgeraete.de. Go to "Products" and then the applicable piece of equipment.



5.10010

Please refer to the price list for a more detailed explanation of the quality characteristics.

Play value

While playing, children imitate, with intensity, work operations that are part of the adult world. This works extremely well with excavators, in particular when water is nearby. When the earth around the excavator has been removed, the Small Excavator without foundation can be repositioned with the help of two adults. In public areas, the Small Excavator can be fixed to the ground with the included chain. Both excavators can be rotated on their own axis; the large one can also be slewed on a



Order No. 5.32000 Small Excavator



second axis (attached to the edge of the equipment) in order to change its radius of movement.

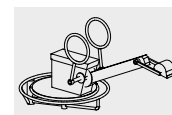
Large Excavator
Small Excavator

Fundamental characteristics

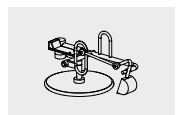
- child proportions according to ergonomic requirements
- effective technical details: the arms of both excavators are balanced by a counterweight, therefore even smaller children can move the load using their own strength; both excavators can be rotated 360 degrees; adjustable rotation area; a brake installed underneath the large excavator is released when a person sits on the excavator
- improves body coordination
- incentive for playing: lever arm, shovel
- exercise activity: physical effort

Suitable

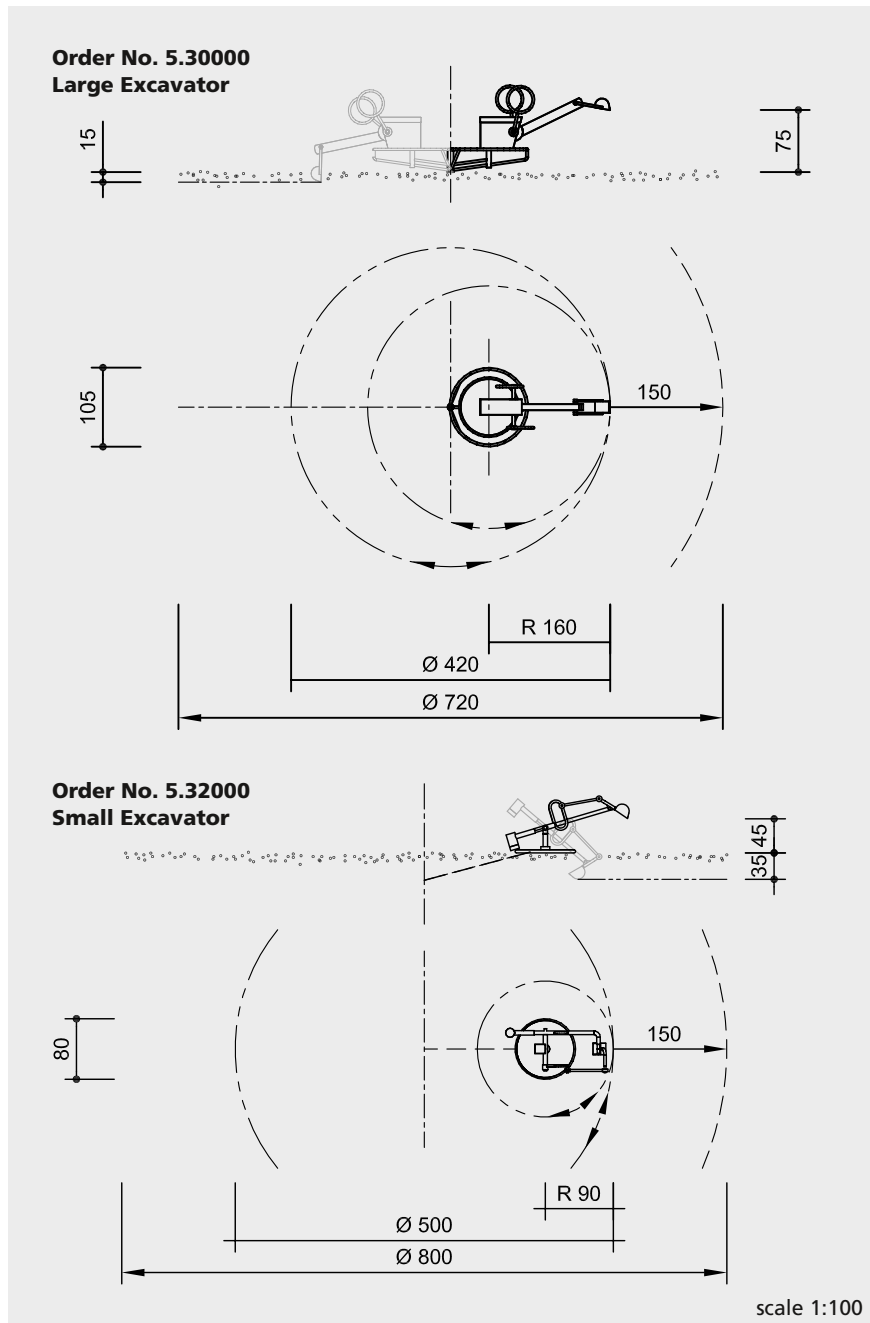
- for children from 4 years of age
- for public playgrounds
kindergartens/nurseries
children's homes
leisure areas of elementary schools



5.30000



5.32000



Safety check according to EN 1176

Components

Order No. 5.30000 Large Excavator

1 Large Excavator complete
1 foundation frame

Order No. 5.32000 Small Excavator

1 Small Excavator complete
with hot-dip galvanised foundation
chain and foundation iron

Installation information

Surfacing requirements

Order No. 5.30000 Large Excavator
corresponding to a fall height of ≤ 1.00 m

Order No. 5.32000 Small Excavator
corresponding to a fall height of $\leq 0,60$ m
(please refer to price list for more
detailed information)
sand surface is necessary

Foundations

Order No. 5.30000 Large Excavator

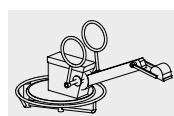
1 item 60 x 60 x 50 cm
excavation depth 90 cm

Order No. 5.32000 Small Excavator

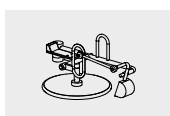
1 item 40 x 40 x 40 cm
excavation depth 80 cm

Attention:

**Exact measurements may vary, for
all installation dimensions refer to
current installation instructions.**
Technical changes reserved.



5.30000



5.32000

Technical information

Order No. 5.30000 Large Excavator

all construction parts of hot-dip
galvanised steel profiles

brass bush

for all to and fro movements we use
bush bearings which allow for self-
lubrication while in use and which can
be easily exchanged in case of need



seat of waterproof plywood 25 mm,
with non-slip coating

parking break unlocks with use

Order No. 5.32000 Small Excavator

all construction parts of hot-dip
galvanised steel profiles

brass bush

for all to and fro movements we use
bush bearings which allow for self-
lubrication while in use and which can
be easily exchanged in case of need



ground anchor

all anchoring parts are hot-dip
galvanised



chain

short-link chain, 6 mm, welded before
hot-dip galvanisation (stainless steel
chains available on request)



seat of waterproof plywood 25 mm,
with non-slip coating

Dimensions

(small deviations possible)

Order No. 5.30000

Large Excavator

reach diameter	3.20 m
with eccentric movement	4.20 m
weight	250 kg

Order No. 5.32000

Small Excavator

reach diameter	1.80 m
weight	65 kg

For more detailed explanation of the
quality characteristics see price list.

C Sand · Water · Mud

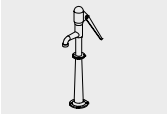






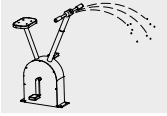


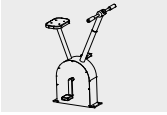
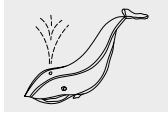

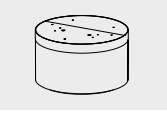
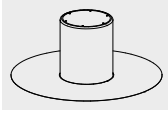

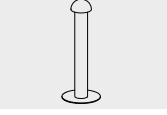
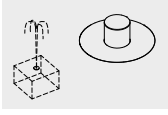
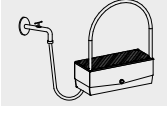
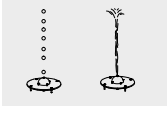
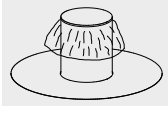

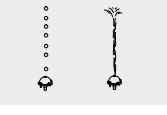
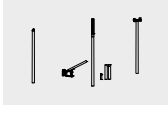

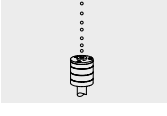
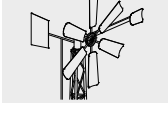
- 1 Working with sand and water
- 2 Pumping and splashing
- 3 Channels · basins · mud tables
- 4 Damming · channelling · propelling
- 5 Transporting water
- 6 Being carried by water

2

When water is required for playing, a stream is normally the most attractive source. However, it is very rare that this natural possibility exists within a play area. We therefore developed many different, interesting ways to supply water, which are a lot of fun for children to try out and use. As a rule, a certain degree of physical effort is needed to make water flow, as for example with the pump. This allows children to learn, in a playful way, about the value of water and is part of the play value of the installations.

Making water splash is a lot of fun not only for children. Our different water jets are cleverly thought-out objects with an attractive technical design that provide delightful surprises on play areas. Physical effort and coordination are part of the play value of these installations.

C 2 Pumping and splashing

Order No. Item	page	Order No. Item	page	Order No. Item	page
	223		227		235
5.17500 Playground Pump		5.18030 Mushroom Column Spring		5.18050 Splash Pump	
	223		229		235
5.17505 Foundation Anchor		5.28000 Lever Pump		5.18060 Splash Pump with Mushroom Head	
	223		231		235
5.17630 Playground Pump		5.18100/5.18110 Pedal Pump		5.18052/5.18054 Intake Container Foundation Anchor	
	223		231		237
5.17730 Playground Pump		5.18200/5.18220 Pedal Pump		5.18500 Little Whale	
	223		231		239
5.17633 Foundation Anchor		5.18250 Concrete Well		5.25000/5.25050 Water Jet	
	223		233		239
5.19000 Pump Pedestal		5.18020 Water Push Button		5.25070 Water Jet for external water jet	
	225		233		241
5.18600 See-Saw Pump		5.18810/5.18815 Spraying Heads with Large Flange		5.25500 Mushroom Fountain	
	225		233		243 - 246
5.18700 See-Saw Pump		5.18830/5.18835 Spraying Heads with Small Flange		5.27010 ff. Forest Fountain	
	227		233		247
5.18000/5.18005 Mushroom Spring		5.18870 Simple Spraying Head		5.18900 Windmill	

Play value

The element water, with its infinite forms of expression, is defined by its flow, vitality and power. And if a playing observer interacts with it, various different sensory impressions are created.

It is only in ideal cases that a natural spring is located at a playground; however every play space needs water, even if it "only" comes out of a pipeline.

A water pump with a swipe is especially attractive, where the act of pumping itself becomes a part of the play value, enabling access to the precious liquid.

Our robust playground pumps therefore not only serve as a water supply, but also trigger work- and role-play activities as well as promoting communication and cooperation.

Fundamental characteristics

- very sturdy construction
- special design
- incentive for playing: pump swipe
- movement: physical effort

Suitable

- for children from 3 years
- for all water play areas



Order No. 5.17500 Playground Pump



Order No. 5.19000 Pump Pedestal made of wood



Order No. 5.17630 Playground Pump
for direct connection to the pressure line

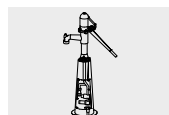
**Playground Pumps
Pump Pedestal
Foundation Anchor**



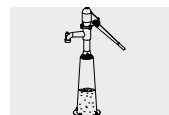
5.17500



5.17505



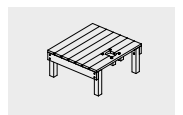
5.17630



5.17730

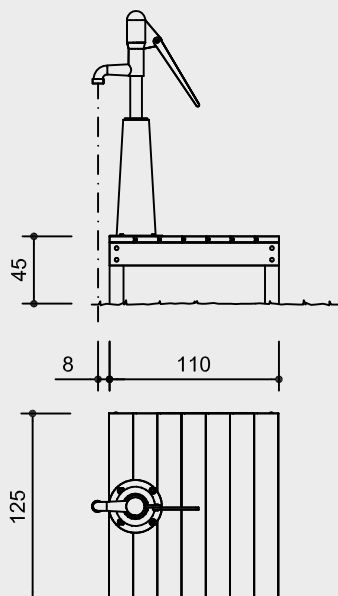


5.17633

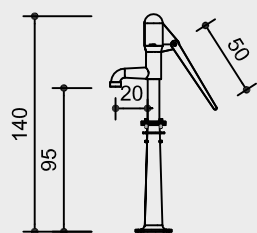


5.19000

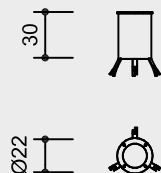
Pump Pedestal
Order No. 5.19000



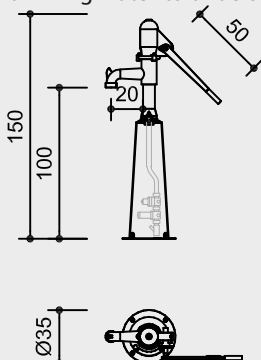
Playground Pump
Order No. 5.17500



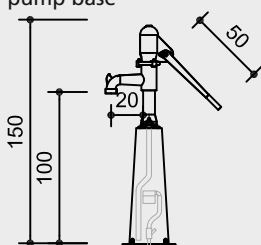
Foundation Anchor
Order No. 5.17505



Playground Pump with integrated connection to mains water in the pillar
Order No. 5.17630
drinking water to underside of piston



Playground Pump with water reservoir in the pillar
Order No. 5.17730
drinking water to underside of the pump base



Foundation Anchor
Order No. 5.17633



scale 1:50

Safety check according to EN 1176

Components

Order No. 5.17500

1 playground pump

Order No. 5.17505 1 foundation anchor

Pumps for direct connection to mains water: No underground well required for function.

Order No. 5.17630

1 playground pump with integrated connection to mains water in the pillar

Order No. 5.17730

1 playground pump with water reservoir in the pillar

Order No. 5.17633

1 foundation anchor for pumps

Installation information

Surfacing requirements corresponding to a fall height of ≤ 0,60 m (please refer to pricelist for more detailed information)

Foundations
4 items 50 x 50 x 50 cm
excavation depth 70 cm

Attention:

Exact measurements may vary, for all installation dimensions refer to current installation instructions.

Technical changes reserved.

Order No. 5.17630 also available with programmable rinsing (Order No. 5.17640).

Technical information

Order No. 5.17500 Playground Pump

closed piston suction pump; all parts made from hot-dip galvanised grey cast iron; cylinder housing, air dome cap, mounting plate, forked lever, plunging valve, gland flange and connecting rod are hot-dip galvanised; cylinder with a liner made of brass alloy and plastic piston (POM); drive shaft made of stainless steel, with replaceable bearing made of brass alloy, additionally held fixed with the gland flange using the shaft recess; secured against being extracted by means of a recess; newly developed drive shaft bearing made of brass alloy which can be lubricated by means of lubricating nipples; pump capacity: bore 75 mm, pump lift 170 mm, approx. 0.75 litres/lift

Order No. 5.17630

Pump as before; the valve combination for direct connection to mains water is integrated in the galvanised pillar; thread 1"; min. 2.5 bar water pressure

Order No. 5.17730

Pump as before; the water reservoir with float valve is integrated in the galvanised pillar; min. 2.5 bar water pressure; 1/2" thread

Order No. 5.19000 Pump Pedestal core-free

equipment of mountain larch, core-free, by that formation of cracks can be reduced, support posts made of oak heartwood 10/10 cm

Pump Pedestal made of stainless steel see Order No. 5.14190

Order No. 5.17633 Foundation Anchor

for Order No. 5.17630 and 5.17730 foundation anchor of galvanised steel

Dimensions

(small deviations possible)

Order No. 5.17500/5.17630/5.17730	
equipment height	1.40/1.50 m
width with horizontal pump swipe	0.95 m
weight	40/50 kg

Order No. 5.17633 Foundation Anchor

height	0.35 m
diameter	0.35 m
weight	7.5 kg

Order No. 5.19000 Pump Pedestal

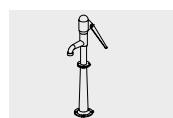
width	1.25 m
depth	1.10 m
max. height	0.45 m
weight	80 kg

Order No. 5.14190 Pump Pedestal

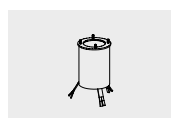
width	1.00 m
depth	1.00 m
max. height	0.45 m
weight	65 kg

Individual solutions for the water supply must be devised, depending on the plans. Up-to-date details on the connection for the water supply and other technical information is available to download as a table at our website www.richter-spielgeraete.de. Go to "Products" and then to the applicable piece of equipment.

For more detailed explanation of the quality characteristics see price list.



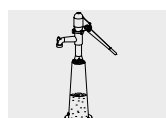
5.17500



5.17505



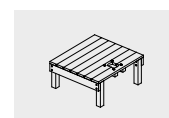
5.17630



5.17730



5.17633



5.19000

Function and Play value

The See-saw Pump is a very attractive element on water play areas. One child can operate the pump by moving his or her centre of gravity, but also two children can work together for moving the pump to and fro. The holding tube provides safety and helps to coordinate the movement with the others. The pump is also available with a lateral water outlet (special construction) which can be used as water supply for a small channel or a gutter. The combination of the See-saw Pump with a Spraying Head is especially attractive.



This can produce a high or a bubbling water jet, depending on the type. It is funny if the Pump and the Spraying Head are installed without visible connection between each other and the fountain unexpectedly splashes passers-by.

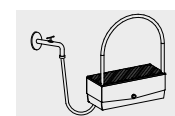
Fundamental characteristics

- can also be used for producing water pressure
- unique and original
- incentive for playing: holding tube, inclined surface
- movement: moving one's centre of gravity

Suitable

- for children from 6 years
- for all water play areas

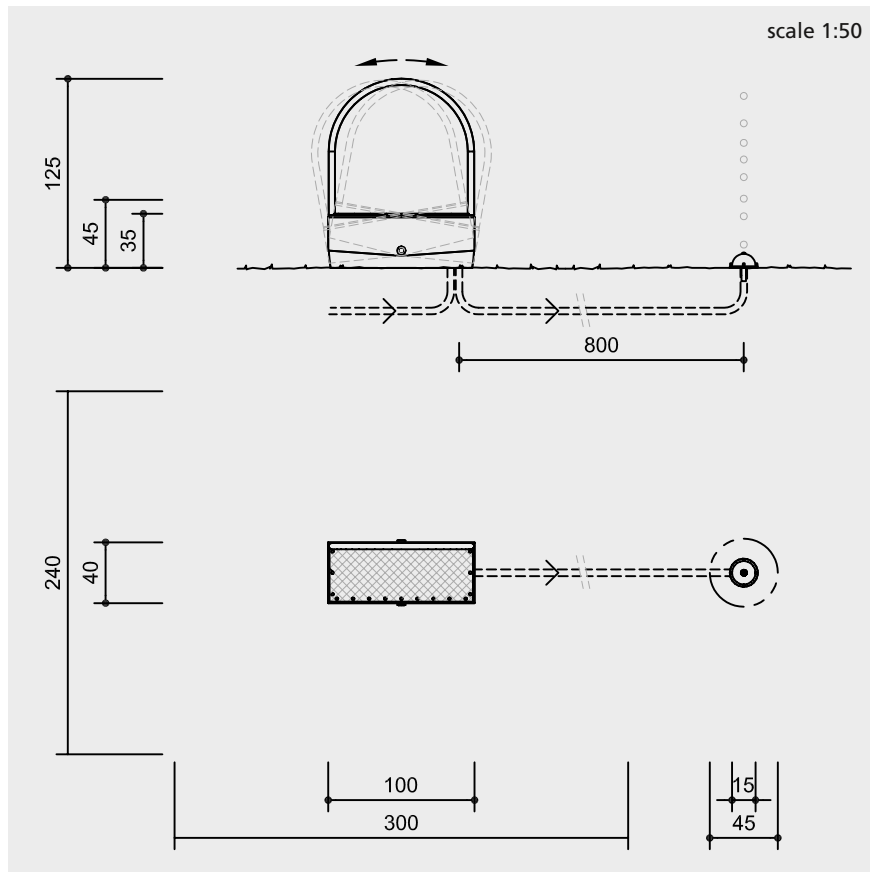
See-saw Pump
for direct connection to the water main
for water supply from a pond or similar



5.18600



5.18700



Safety check according to EN 1176

Technical information

housing of the pump completely made of stainless steel, glass bead blasted

tread surface of textured metal sheet

brass bush

for all to and fro movements we use bush bearings which allow for self-lubrication while in use and which can be easily exchanged in case of need



holding tube made of metal tube with a diameter of 42 mm

the type of the See-saw Pump and the water connection depend on the local situation

Dimensions

(small deviations possible)

height	1.25 m
length	1.00 m
width	0.40 m
max. pedestal height	0.45 m
weight	80 kg
required diameter for water supply	1 inch

Components

1 See-saw Pump with foundation frame

Note

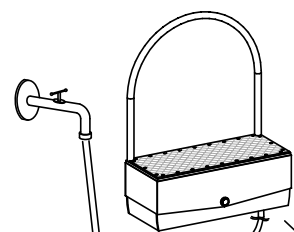
For areas with intense solar radiation we offer a wooden deck for the tread surface in order to reduce heating-up see **Order No. 0.57300**.

The following drawings show examples of different possibilities of installation. Other combinations with equipment from our water play range are possible.

Type of See-saw Pump

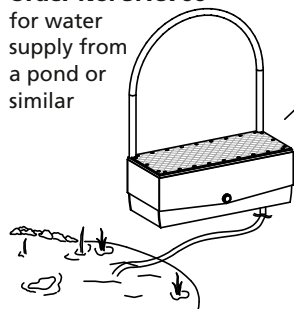
Order No. 5.18600

for direct connection to the pressure line



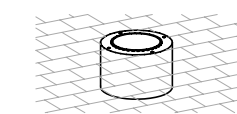
Order No. 5.18700

for water supply from a pond or similar



Installation of the Spraying Head

1. on foundation made on site



Type of Spraying Head

5.18815

5.18810

5.18835

5.18830



2. on Concrete Basin with pump connection **Order No. 5.22000 ff.** see own catalogue sheet



Installation information

reinforced surface

When planning the installation, ensure the spraying head or a similar outlet (e. g. rock fountain) is located at a level higher than the See-Saw-Pump. Otherwise water will run through permanently.

Foundations

1 item 92 x 42 x 80 cm
excavation depth below frost level, but minimum 80 cm

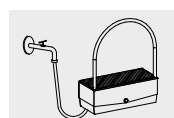
Attention:

Exact measurements may vary, for all installation dimensions refer to current installation instructions.

Technical changes reserved.

For use in chlorine water the equipment is also available with a special steel alloy.

Individual solutions for the water supply must be devised, depending on the plans. Up-to-date details on the connection for the water supply and other technical information is available to download as a table at our website www.richter-spielgeraete.de. Go to "Products" and then to the applicable piece of equipment.



5.18600



5.18700

For more detailed explanation of the quality characteristics see price list.



Function and Play value

The well designed Mushroom Springs gives off water when the hemisphere on top gets pressed down. The water comes out like a circular veil. When the hemisphere is pressed once, a valve is activated which stops the water flow after 60 seconds or earlier (time is adjustable). Due to its agreeable design, the Mushroom Springs can also be used in less natural play surroundings.

Fundamental characteristics

- high-quality design
- automatic water stop
- unique and original
- incentive for playing: hemisphere, water
- movement: physical effort

Suitable

- for children from 3 years
- for all water play areas

Barrier-free - independent play

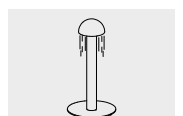


Order No. 5.18030 Mushroom Column Spring

Mushroom Spring
Mushroom Spring for Concrete Basins
Mushroom Column Spring



5.18000/5.18005

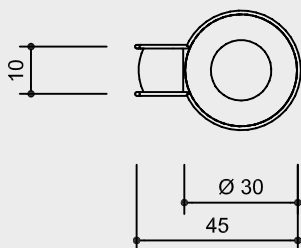
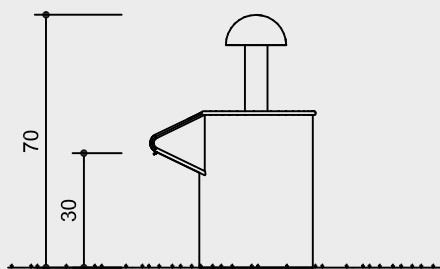


5.18030

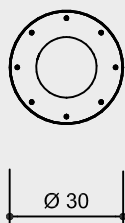
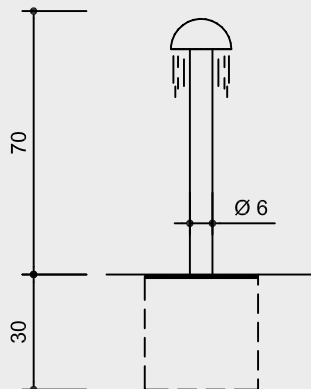
© Richter Spielgeräte GmbH 10/15

Design and Copyright

**Order No. 5.18000/5.18005
Mushroom Spring**



**Order No. 5.18030
Mushroom Column Spring**

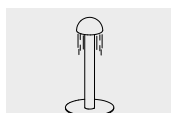


scale 1:20

Safety check according to EN 1176



5.18000/5.18005



5.18030

Technical information

Mushroom Springs completely of stainless steel, glass bead blasted, with self-righting pressure valve

Dimensions

(small deviations possible)

height	0.70 m
width	0.45 m
diameter	0.30 m
weight	
Mushroom Spring	22 kg
Mushroom Column Spring	12 kg

Components

1 part each

Installation information

Surfacing requirements
recommendation: paving stone or similar with gully.

The Mushroom Spring **Order No. 5.18000** can be installed on natural stone, pedestal etc.

The Mushroom Spring **Order No. 5.18005** can be installed on concrete Water Basins **Order No. 5.22000, 5.22100, 5.24200** and **5.24400**.

The Mushroom Column Spring **Order No. 5.18030** can be installed in site concrete foundation.
1 item 40 x 40 x 30 cm
excavation depth 60 cm

The Mushroom Spring and the Mushroom Column Spring needs to be connected directly to the mains water.

Individual solutions for the water supply must be devised, depending on the plans. Up-to-date details on the connection for the water supply and other technical information is available to download as a table at our website www.richter-spielgeraete.de. Go to "Products" and then to the applicable piece of equipment.

During the frost period the inset with the valve needs to be disassembled. The opening can be closed with a winter lid Order No. 0.97840 (see price list).

Attention:
Exact measurements may vary, for all installation dimensions refer to current installation instructions.

Technical changes reserved.

For use in chlorine water the equipment are also available with a special steel alloy.

Function and Play value

Even small children can operate our new lever pump and convey water. The pump resistance as well as the flow rate per stroke can be varied. The design and easy operation make it very suitable for children. Hydraulic oil (food safe) is pumped in an enclosed circuit. The degree of pumping difficulty can be adjusted to a child's strength. The flowing hydraulic oil opens the water valve for a short period of time and then automatically – can also be adjusted – closes again. The water is of drinking quality up until the water leaves the valve; there is no residual water left in the pump.

Suitable

- for small children's areas of:
public playgrounds, play areas
situated near houses, kindergartens,
children's homes
- for water play zones in all spaces for
play and experiences

Barrier-free - independent play



patented

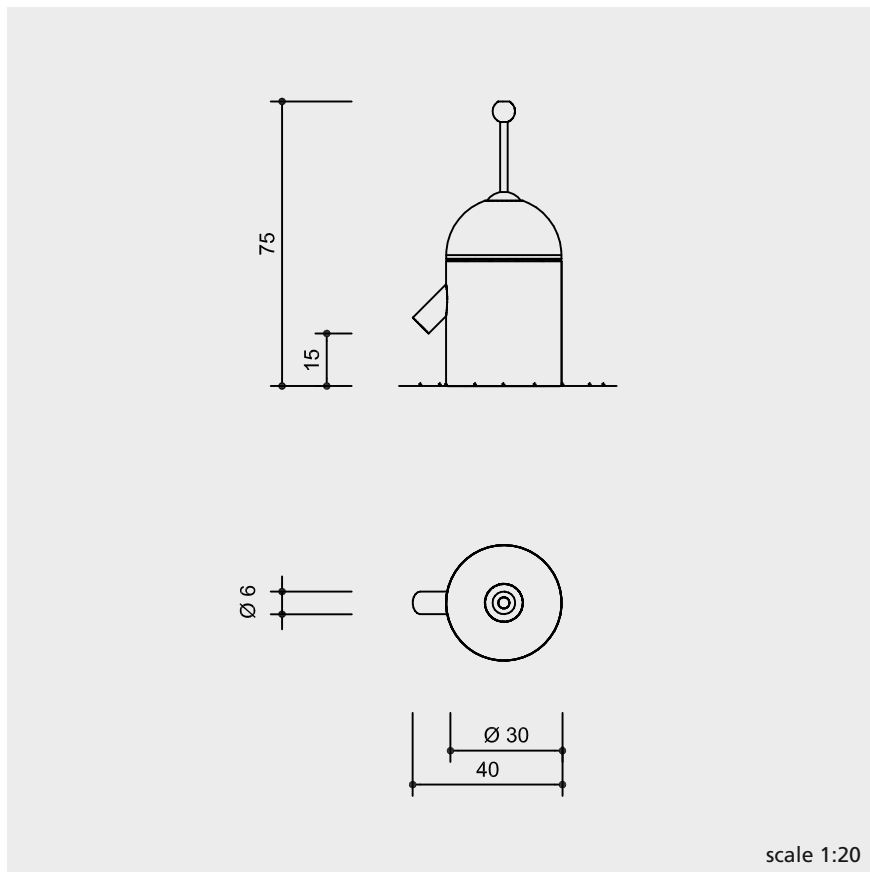
Lever Pump

Planning information

The length of the run-out tube can be changed against surcharge.



5.28000



Safety check according to EN 1176

Components

1 lever pump incl. winter lid

foundation anchor see Order No. 5.28003 (not included)

Installation information

Surfacing requirements
 Recommendation: paving stone or similar with gully. The lever pump is designed for installation on natural stone, pedestal or similar.

During the period of frost, the pump mechanism must be removed. To remove the mechanism, the control line can be disconnected using a quick-release coupling.

Attention:
Exact measurements may vary, for all installation dimensions refer to current installation instructions.
 Technical changes reserved.

Technical information

total construction of stainless steel, glass bead blasted

ball bearing

low-maintenance, replaceable ball bearings, sealed



the ball head is made of impact-resistant, coloured-through, PUR plastic, black

enclosed pump with water valve for direct connection to mains water (¾ inch, 2.5 - 3.5 bar), inside thread connection 1 inch

pump capacity and pump swipe resistance infinitely adjustable, 20 l per minute

pump swipe position rules out risk of jamming

foundation anchor Order No. 5.28003 (not included) of galvanised steel

Dimensions

(small deviations possible)

height	0.75 m
width	0.40 m
diameter	0.30 m
run-out tube	Ø 0.06 m
weight	35 kg

For more detailed explanation of the quality characteristics see price list.



5.28000

Play value

Making water move using the strength of your own body and recognising the immediate effect of a strong jet of water: this association becomes the central experience at the Pedal Pump. The effortless operation of the crank fades into the background; however at the same time it quickly becomes clear that this is the initiating action. During intensive play, the enthusiasm increases by changing the jet with just a simple turn of the handlebars. Fixed structures can be used as targets and movable targets act as an incentive for intensive effort.

Fundamental characteristics

- immediately recognisable incentive to exercise
- robust design
- water jet as surprising action
- exercise activity: targeting, physical effort

Suitable

- for children from 6 years and adults
- water playgrounds
- leisure areas
- outdoor swimming pools

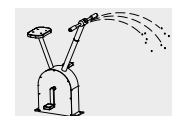


Order No. 5.18100 Pedal Pump with Spray Head Handlebar

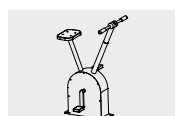
Pedal Pump
with Spray Head in Handlebar
for External Jet
Concrete Well



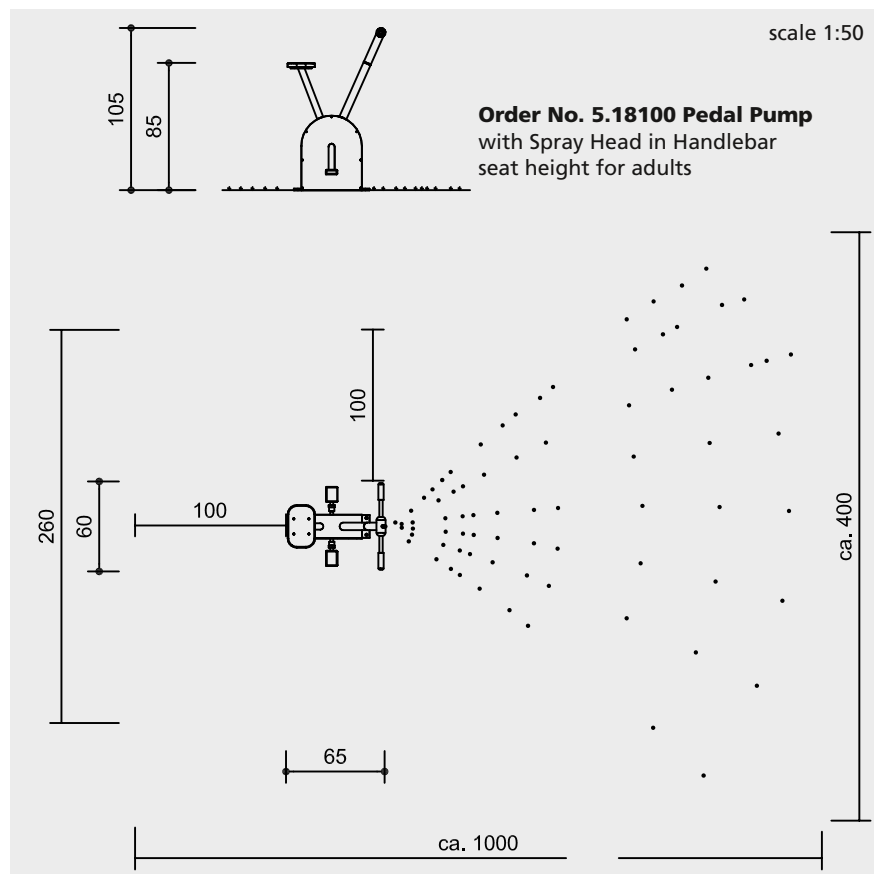
5.18250



5.18100/5.18110



5.18200/5.18220



Order No. 5.18100 Pedal Pump
with Spray Head in Handlebar
seat height for adults

Technical information

equipment made of stainless steel, glass bead blasted

seating surface made of polyoxymethylene (POM-C), standard colour black

Order No. 5.18100 Pedal Pump
with Spray Head in Handlebar, seat height for adults

Order No. 5.18110 Pedal Pump
as before, but seat height for children

Order No. 5.18200 Pedal Pump
for External Jet, seat height for adults

Order No. 5.18220 Pedal Pump
as before, but seat height for children

Dimensions

(small deviations possible)

total height	1.05 m
seat height	
for adults	0.85 m
for children	0.70 m
length	0.65 m
width	0.60 m
weight	
pedal pump	35 kg
concrete well (optional)	560 kg

Safety check according to EN 1176

Components

Order No. 5.18100/5.18110
1 with spray head in handlebar
1 winter lid

Order No. 5.18200/5.18220
1 pedal pump for external jet
jet not included
1 winter lid

For connection to water mains use
Order No. 5.18250 concrete well
with integrated stainless steel water reservoir.

Alternatively Order No. 5.17100 Valve combination can be used.

Installation information

Surfacing requirements
no fall protection requirements
suitable for heavy duty bolts

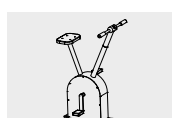
Attention:
Exact measurements may vary, for all installation dimensions refer to current installation instructions.

Technical changes reserved.

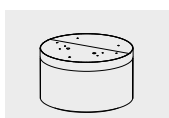
Individual solutions for the water supply must be devised, depending on the plans. Up-to-date details on the connection for the water supply and other technical information is available to download as a table at our website www.richter-spielgeraete.de. Go to "Products" and then to the applicable piece of equipment.



5.18100/5.18110



5.18200/5.18220



5.18250



Order No. 5.18870 Simple Spraying Head

Planning information

The Water Push Button, **Order No. 5.18020**, is only suitable for direct connection to the pressure line. Pushing the semi-spherical button activates the Spraying Heads. When the semi-spherical button is pressed once, a valve is activated that automatically stops the water flow after 60 seconds or earlier (time is adjustable).

The Spraying Heads with the **Order No. 5.18815** and **5.18835** produce a high, sharp water jet and should only be used where the Spraying Heads are not accessible, e.g. in a pond which is not used for swimming, and with sufficient distance to the shore.

Please note the higher cleaning effort involved when using the Simple Spraying Head, Order No. **5.18870**. Consider using the Spraying Head with Cleaning Mechanism (**Order No. 5.18810/5.18830**).

Suitable

- for children from 6 years
- for all water play areas of playgrounds
leisure areas
- for water playgrounds
outdoor swimming pools



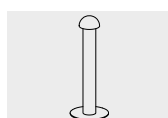
**Water Push Button
Spraying Heads with wide flange
Spraying Heads with small flange
Simple Spraying Head**



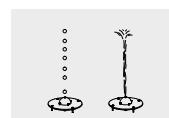
Order No. 5.18020 Water Push Button

Barrier-free

- independent play



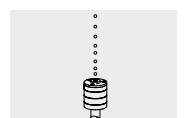
5.18020



5.18810/5.18815

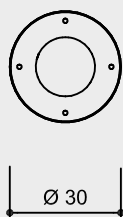
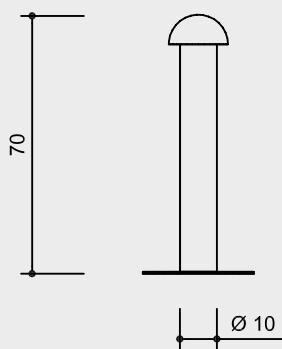


5.18830/5.18835



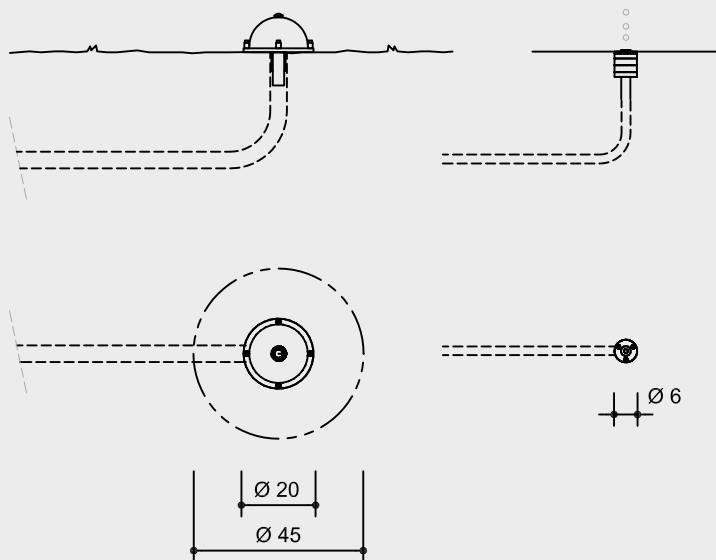
5.18870

**Order No. 5.18020
Water Push Button**



**Order No. 5.18870
Simple Spraying Head**

**Order No.
5.18810/5.18815
5.18830/5.18835
Spraying Heads**



Individual solutions for the water supply must be devised, depending on the plans. Up-to-date details on the connection for the water supply and other technical information is available to download as a table at our website www.richter-spielgeraete.de. Go to "Products" and then to the applicable piece of equipment.

scale 1:20

Technical information

Water Push Button Order No. 5.18020
made of stainless steel, glass bead blasted, with coloured hemisphere

Spraying Heads with wide flange Order No. 5.18810
with weak water jet

Order No. 5.18815
with strong water jet

Spraying Heads with small flange
with weak water jet

Order No. 5.18830
with strong water jet

Order No. 5.18835

Order No. 5.18810/5.18830

Spraying Heads with weak jet, integrated cleaning mechanism

Order No. 5.18815/5.18835

Spraying Heads with strong water, without cleaning mechanism, 12/4 kg
Spraying Heads made of stainless steel, glass bead blasted, with brass head

Simple Spraying Head

Order No. 5.18870

Spraying Heads made of stainless steel, glass bead blasted, with brass head without cleaning mechanism

Dimensions

(small deviations possible)

Water Push Button Order No. 5.18020

height 0.70 m
diameter column 0.10 m
weight 12 kg

Spraying Heads Order No.

5.18810/5.18815/5.18830/5.18835

flange diameter 0.45/0.20 m
diameter of the hemisphere 0.15 m
distance between head and Pump max. 8.00 m
required diameter for water supply 3/4 inch
weight 12/4 kg

Simple Spraying Head

Order No. 5.18870

diameter 0.06 m
distance between head and pump max. 8 m
spraying head inlet Ø 3/4 inch
weight 1 kg

Components

Water Push Button Order No. 5.18020

1 Water Push Button

Spraying Heads Order No.

5.18810/5.18815/5.18830/5.18835

1 spraying head
1 connecting piece

Simple Spraying Head

Order No. 5.18870

1 spraying head
1 connecting piece
foundation anchor for spraying head with small flange see **Order No. 5.18056**

Installation information

Reinforced surface
Foundations and water supply to be prepared by the customer. **Water Push Button:** 1 item 40 x 40 x 30 cm, excavation depth 60 cm

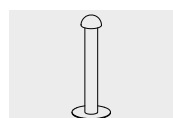
Attention:

Exact measurements may vary, for all installation dimensions refer to current installation instructions.

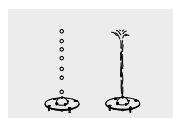
Technical changes reserved.

For use in chlorine water the equipment are also available with a special steel alloy (V4A).

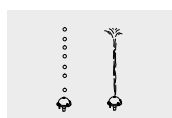
Safety check according to EN 1176



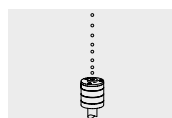
5.18020



5.18810/5.18815



5.18830/5.18835



5.18870

Function and Play value

It is not immediately clear for what purpose these funny coloured mushroom heads can be used. When the two handles, inviting a hands on activity, are pushed down powerfully, an internal piston sends a far-reaching water jet through the spray head. The whole spray head can be turned around 360°. So it is possible to „chase“ others with the water jet and to make them wet as long as they are within reach. For reasons of fairness, the Splash Pumps should be installed in pairs, if possible, so that others can defend themselves. A fixed direction Splash Pump is also available. In water playgrounds or in swimming pools, Splash Pumps offer another fine way to experience water.

Fundamental characteristics

- The correlation between physical effort and reach of the water jet can be seen through the mechanical piston pump.
- moveable spray head 360°
- Position of water jet can be changed (mushroom head)
- incentive for playing: coloured head, handles
- movement: physical effort, aiming at



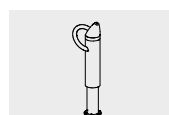
The pictures show the version with mushroom head.

Splash Pump with fixed water jet
Splash Pump with mushroom head
Intake Container
Foundation Anchor



Suitable

- for children from 6 years
- for all water play areas of playgrounds leisure areas
- for water playgrounds outdoor swimming pools



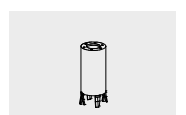
5.18050



5.18060



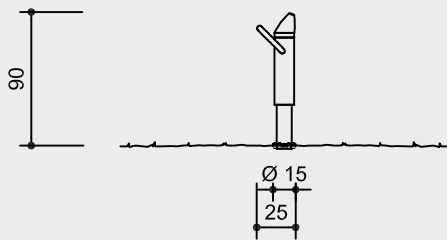
5.18052



5.18054

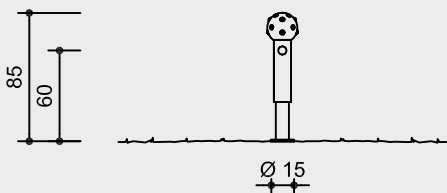
Splash Pump with fixed water jet

Order No. 5.18050



Splash Pump with mushroom head

Order No. 5.18060



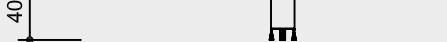
Intake Container

Order No. 5.18052



Foundation Anchor

Order No. 5.18054



scale 1:50

Safety check according to EN 1176

Components

Order No. 5.18050

1 Splash Pump with fixed water jet

Order No. 5.18060

1 Splash Pump with mushroom head

Order No. 5.18052

1 Intake Container with float valve

Order No. 5.18054

1 Foundation Anchor

Installation information

Surfacing requirements paving stone or similar with drainage

Foundations

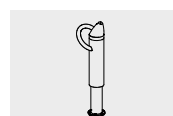
1 Foundation Anchor **Order No. 5.18054** (not required in combination with intake container) approx. 60 x 60 x 40 cm excavation depth 50 cm

Attention:

Exact measurements may vary, for all installation dimensions refer to current installation instructions.

Technical changes reserved.

For use in chlorine water the equipment is also available with a special steel alloy.



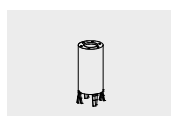
5.18050



5.18060



5.18052



5.18054

Technical information

Order No. 5.18050

Splash Pump with fixed water jet equipment of stainless steel, glass bead blasted, with fixed water jet maximum distance to the water source 6 m, delivery height max. 2.50 m water supply 1/2 inch external connection thread 3/4 inch

Order No. 5.18060

Splash Pump with mushroom head equipment of stainless steel, glass bead blasted, with moveable water jet Colour of the mushroom head: RAL colour 3000, other colours on request delivery height max. 2.50 m

Order No. 5.18052 Intake Container

equipment of stainless steel, glass bead blasted, with integrated float valve for direct connection to water supply line (1 - 3.5 bar) external connection thread 3/4 inch connecting pipe to the water supply is not supplied with product (we recommend a compression proof diameter 1/2 inch) drainage should be provided for (frost protection during the winter) underground adequate for heavy duty bolting for special installation situations please ask for planning assistance

Order No. 5.18054

Foundation Anchor foundation anchor of galvanised steel

Dimensions

(small deviations possible)

Order No. 5.18050

Splash Pump with fixed water jet
height 0.90 m
diameter on top 0.25 m
weight 23 kg

Order No. 5.18060

Splash Pump with mushroom head
height 0.85 m
diameter with grips 0.45 m
mushroom head 0.20 m
weight 30 kg

Order No. 5.18052 Intake Container

height 0.30 m
diameter 0.50 m
weight 20 kg
Winter Lid on request

Order No. 5.18054

Foundation Anchor
height 0.40 m
diameter 0.15 m
weight 7 kg

Winter Lid Order No. 5.18055

Individual solutions for the water supply must be devised, depending on the plans. Up-to-date details on the connection for the water supply and other technical information is available to download as a table at our website www.richter-spielgeraete.de. Go to "Products" and then to the applicable piece of equipment.

Function and Play value

The Little Whale is a point of attraction for water play areas. It does not only have a very appealing design, there is also a surprise hidden inside. It is necessary to use the whole body for obtaining the desired effect. When the Little Whale moves to and fro, it expels a water jet. But it is also possible to sit on the whale and to be rocked softly. The Little Whale, in combination with the Sea Creatures, is a very attractive play offer also for town centres.

Fundamental characteristics

- attractive, child-orientated design
- integrated pressure pump for creating the water jet
- incentive for playing: animal
- movement: moving one's centre of gravity

Suitable

- for children from 6 years
- for pedestrian areas
- outdoor swimming pools
- leisure areas



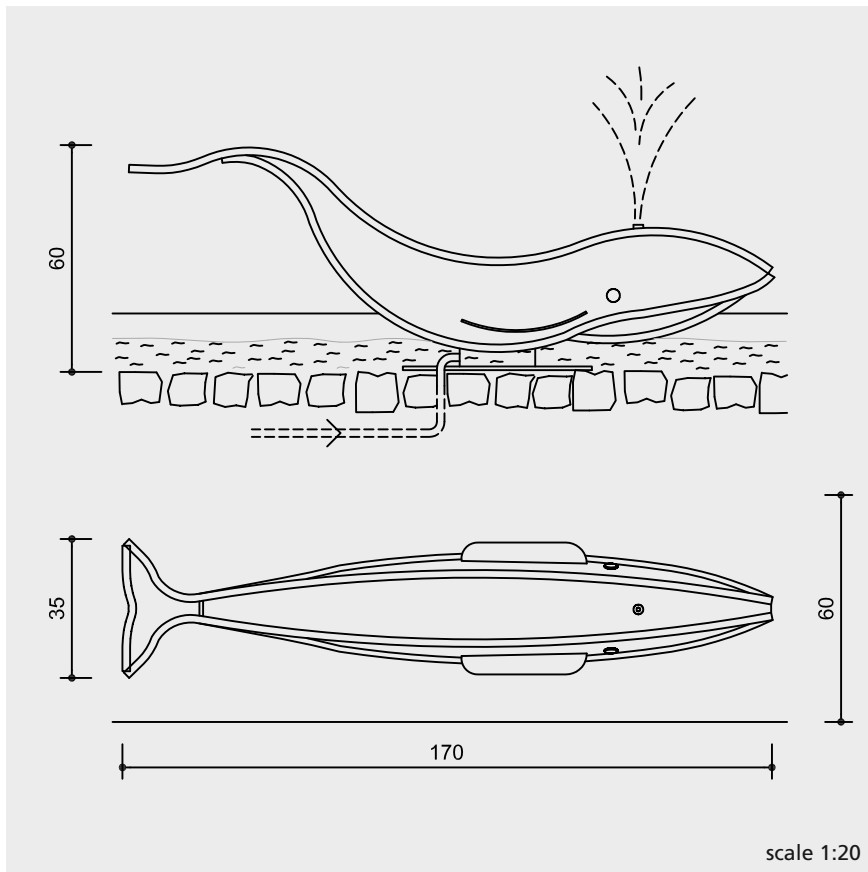
Little Whale

Note

The Little Whale and the Sea Creatures belong to our product line "Art Play".



5.18500



Safety check according to EN 1176

Components

1 whale with base plate for fixation with screws

Installation information

Surfacing requirements
paving stone or similar with drainage

The water depth has no influence on the function.

Foundations and water supply need to be made by the customer.

Attention:
Exact measurements may vary, for all installation dimensions refer to current installation instructions.
Technical changes reserved.
For use in chlorine water the equipment is also available with a special steel alloy.

Technical information

the whole equipment is made of stainless steel, glass bead blasted

brass bush

pump and see-saw mechanism: for all to and fro movements we use bush bearings which allow for self-lubrication while in use and which can be easily exchanged in case of need



integrated float valve for direct connection to the mains water, diameter 1/2 inch, pressure 1 - 3.5 bar, connection thread 3/4 inch

Dimensions

(small deviations possible)

height	0.60 m
length	1.70 m
width	0.35 m
weight	45 kg

Individual solutions for the water supply must be devised, depending on the plans. Up-to-date details on the connection for the water supply and other technical information is available to download as a table at our website www.richter-spielgeraete.de. Go to "Products" and then to the applicable piece of equipment.

For more detailed explanation of the quality characteristics see price list.



5.18500

Function and Play value

This simple looking equipment is of high play value, and also a lot of fun. The unusual way of making water splash is a delightful surprise, particularly when one doesn't get wet oneself. Depending on the weight and skill of the participant, fountain jets reaching a distance of up to 7 m and a height of up to 4 m can be achieved by means of jumping up and down on the discs. It is great fun when several Water Jets are installed near to each other so that a real spray competition can take place.



Fundamental characteristics

- mechanical pump mechanism makes the correlation between one's own power and the width of the water jet visible
- functional design
- incentive for playing: curiosity
- movement: jumping

Suitable

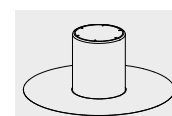
- for water play areas of:
 - playgrounds
 - pedestrian areas
 - outdoor swimming pools
 - leisure areas



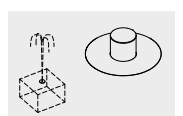
Water Jet
Water Jet for external Jet

Copyright © Richter Spielgeräte GmbH 10/15

Design J.O. Gaier

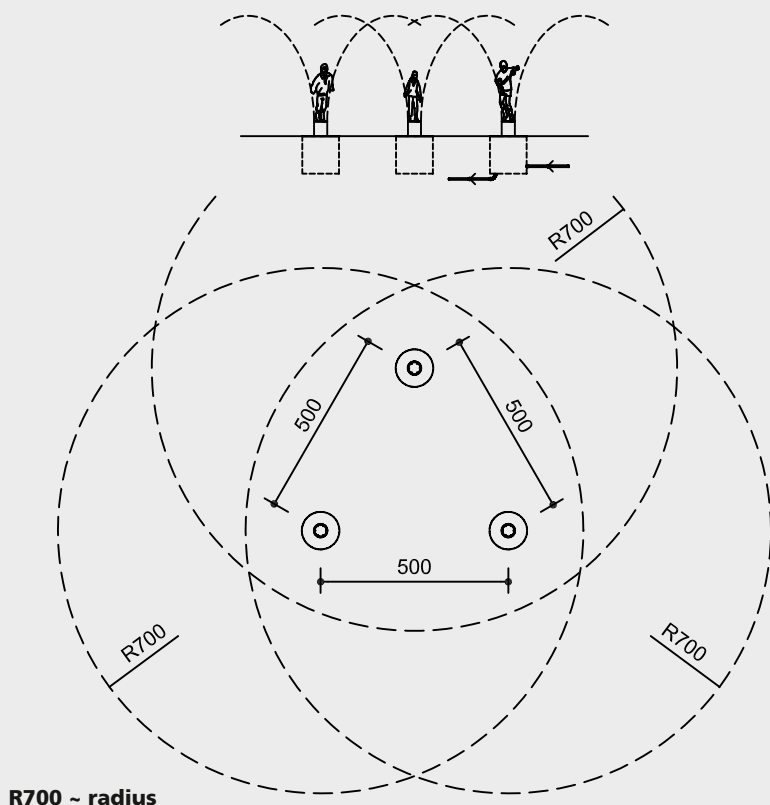


5.25000/5.25050

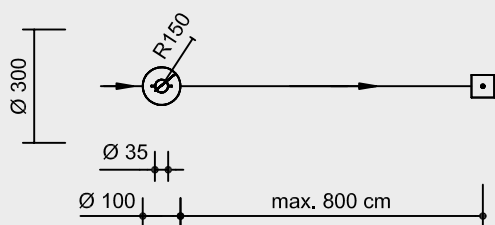
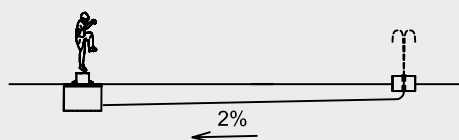


5.25070

Planning example for 3 Water Jets

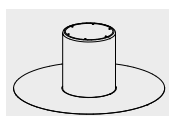


**Order No. 5.25070
Water Jet for external Jet**

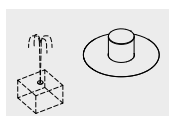


scale 1:200

Safety check according to EN 1176



5.25000



5.25070

Attention:
Exact measurements may vary, for all installation dimensions refer to current installation instructions.
Technical changes reserved.
For use in chlorine water the equipment is also available with a special steel alloy.

Technical information

Order No. 5.25000 Water Jet

cylinder of stainless steel, glass bead blasted
standing plate of textured metal, with 6 water jets in a circle, diameter 4 mm
rotatable plate, the jumping movement is buffered
the concrete housing contains:
suction pump with footplate, water reservoir with valves, siphon for drainage connection, diameter 50 mm
connection to the pressure line, diameter of thread 1 inch inside, water supply 3/4 inch, pressure max. 3.5 bar
both lids of concrete, summer lid with rubber seal

Order No. 5.25050 For installation in a water basin, the Water Jet can also be supplied with a sealed housing (not apply for Order No. 5.25070).

Order No. 5.25070 for external Jet
as before, but standing plate without jets

Dimensions

(small deviations possible)

standing plate

diameter 0.35 m
height 0.30 m

concrete housing

diameter 1.00 m
height 1.10 m
= installation depth
total weight 900 kg

Components

1 Water Jet pre-assembled in concrete housing with summer lid
1 winter lid
accessories for **Order No. 5.25070:**
Spraying heads 5.18810/5.18815/5.18830/5.18835/5.18870

Installation information

Surfacing requirements corresponding to a fall height of ≤ 0.60 m (please refer to price list for more detailed information)
Recommendation: pavement, reinforced surface (provide adequate drainage on site) no sand, no gravel

Foundations
excavation for concrete well
Ø 2.00 m, depth 1.10 m

Using the equipment without water leads to increased wear of the components. Therefore the equipment should not be used without water.

During frosty periods the suction pump must be disassembled and the water reservoir and supply must be emptied. Also included in the components is a lid with which the shaft is sealed during the frosty season.

Individual solutions for the water supply must be devised, depending on the plans. Up-to-date details on the connection for the water supply and other technical information is available to download as a table at our website www.richter-spielgeraete.de. Go to "Products" and then to the applicable piece of equipment.

Function and Play value

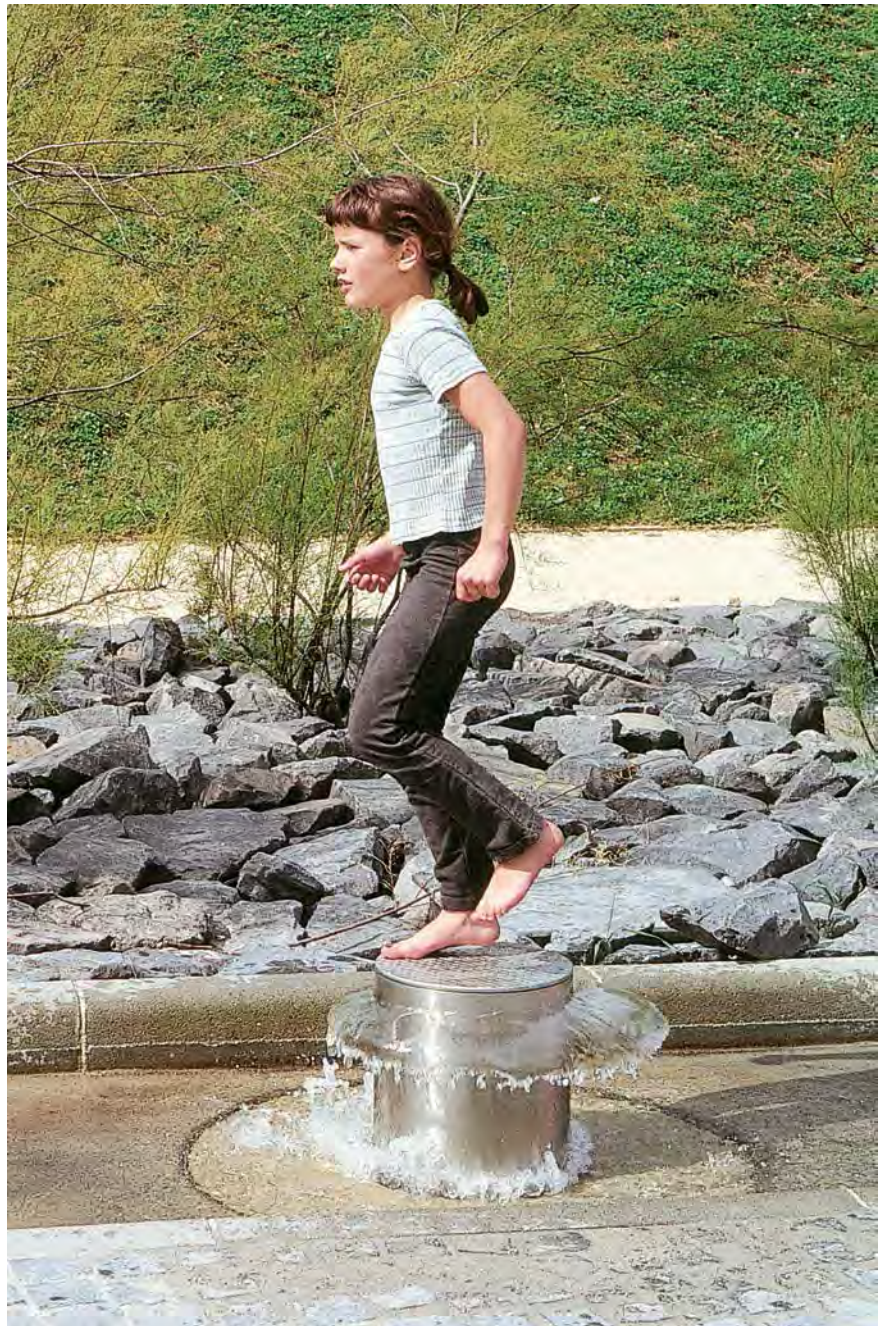
By standing, jumping up and down or shifting one's weight, water is coming out from the metal cylinder. When a certain balance is achieved, the water gets the shape of a „mushroom“. The opportunity of creating a nicely shaped, regular water cap by one's own movement is motivating and gives satisfaction. The Mushroom Fountain can also be used as water supply - as a kind of foot pump - for small currents of water which can be created for a short time by play.

Fundamental characteristics

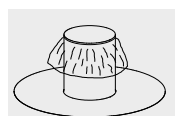
- combination of water supply and shaping of water
- unique and original
- incentive for playing: gleaming metal surface, curiosity
- movement: jumping, shifting one's weight

Suitable

- for children from 6 years
- for all water play areas

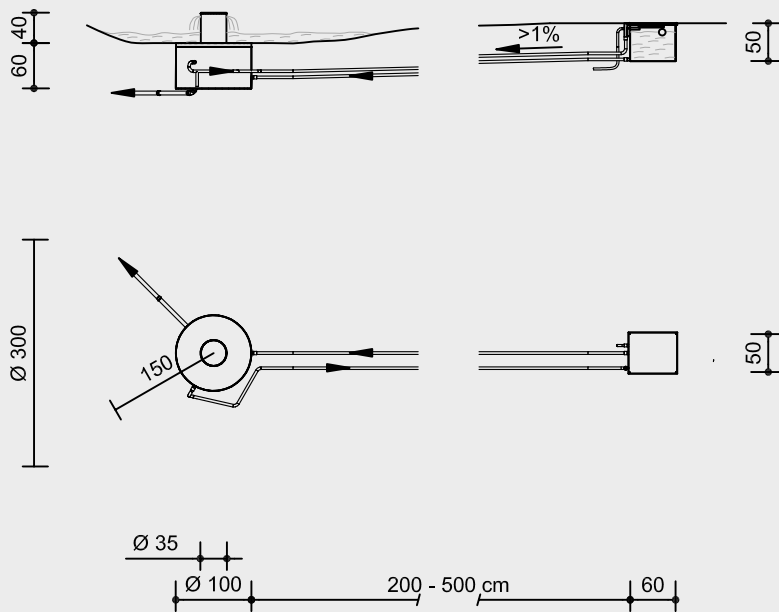


Mushroom Fountain



5.25500

Planning Example: Mushroom Fountain in a Water Basin



scale 1:100

Safety check according to EN 1176

Components

- 1 Mushroom Pump pre-assembled in concrete housing with summer lid
- 1 winter lid
- 1 water reservoir

Installation information

Surfacing requirements corresponding to a fall height of ≤ 0.60 m (please refer to price list for more detailed information)
 Recommendation: reinforced surface or water tight surface, no sand, no gravel

Foundations
 excavation depth for concrete well $\varnothing 1.50$ m, depth 0.60 m

During sub zero conditions the part with the pump cylinder must be dismantled and removed. Also included in the components is a lid with which the shaft is sealed during the frosty season.

Attention:
Exact measurements may vary, for all installation dimensions refer to current installation instructions.
 Technical changes reserved.
For use in chlorine water the equipment is also available with a special steel alloy.

Technical information

cylinder of stainless steel, glass bead blasted

standing plate of textured metal with circular opening

the concrete housing contains:
 suction pump with footplate, drainage connection and a connection for the air escape tube

water supply through a 1 1/2 inch PE-tube from a slightly raised water reservoir with floating valve
 the water reservoir is outside the water basin

Parallel to the water supply there must be installed an exhaust pipe for pressure compensation.

water output up to 40 litres per minute

both lids of concrete, summer lid with rubber seal

water reservoir of stainless steel, glass bead blasted

connection to the pressure line, diameter of thread 1 inch inside, water supply 3/4 inch, pressure 3.5 bar

Individual solutions for the water supply must be devised, depending on the plans. Up-to-date details on the connection for the water supply and other technical information is available to download as a table at our website www.richter-spielgeraete.de. Go to "Products" and then to the applicable piece of equipment.

Dimensions

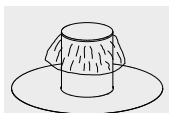
(small deviations possible)

standing plate
 diameter 0.35 m
 height 0.40 m

concrete housing
 diameter 1.00 m
 height 0.60 m
 = installation depth

water reservoir with floating valve
 length 0.60 m
 width 0.50 m
 depth 0.50 m
 connection 1 inch

total weight 800 kg



5.25500

Function and Play value

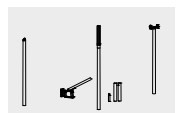
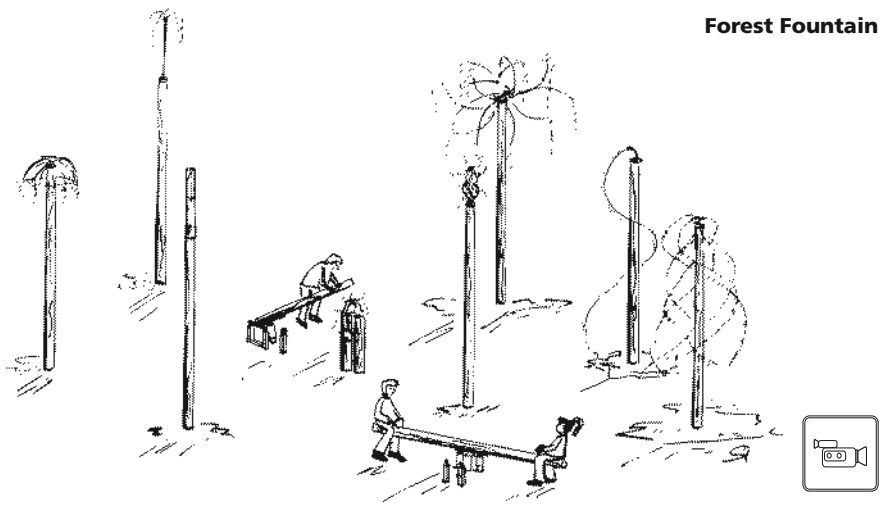
Those playing on the Forest Fountain system can experience a wide range of spatial and sensory effects of the medium water as a result of their own physical activities. The height of the masts and length of the pipelines enables the water to achieve the greatest possible spraying effect, while the jets and rotors create different, continuously changing shapes and structures. The contrast, created by the strictly geometrical masts and pumps, contributes to the aesthetics of the overall design.

Suitable

- for children from 6 years
- for leisure areas
- open air swimming pools
- parks



Forest Fountain



5.27010 - 5.27060

Rotors and jets

Low Collision Disc

Order No. 5.27030

spraying area 2 m, width 0.50 m

High Collision Disc

Order No. 5.27031

spraying area 4 m, width 1 m

Vertical Jet

Order No. 5.27032

spraying height up to 10 m, radius 2 m

Spiral Rotor

Order No. 5.27033

spraying area radius 2.5 m

Vertical Star Rotor

Order No. 5.27034

spraying area 14 m, width 1.50 m

Horizontal Star Rotor

Order No. 5.27035

spraying length up to 7 m, reducible to 4 m

Umbrella Jet

Order No. 5.27036

spraying area radius 3 m

Reservoir

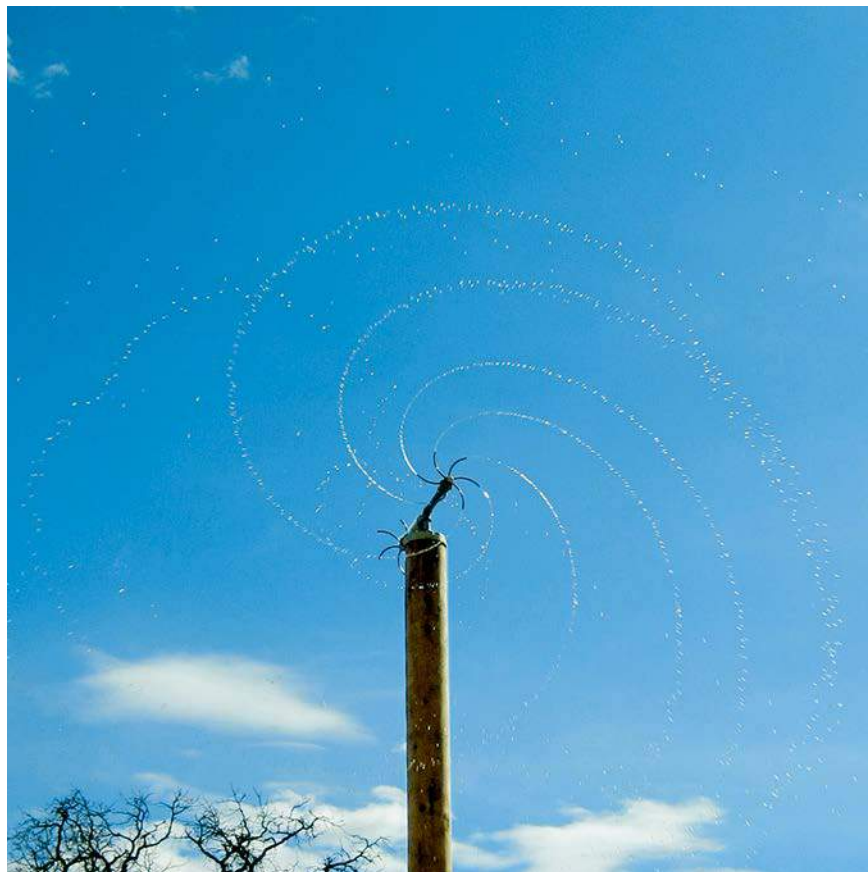
Order No. 5.27037

Water Umbrella

spraying area radius 3 m



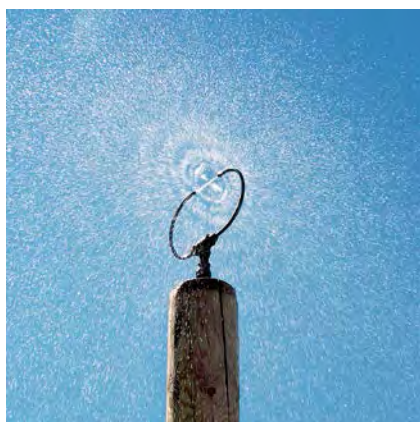
5.27035 Horizontal Star Rotor



5.27034 Vertical Star Rotor



5.27032 Vertical Jet



5.27031 High Collision Disc



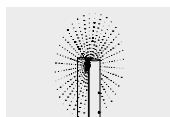
5.27035



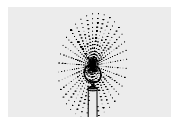
5.27036



5.27037



5.27030



5.27031



5.27032



5.27033



5.27034

Components

Pumps

- **Long Handle Pump with valve system, Order No. 5.27010/ 5.27015/ 5.27016**
- **Long Handle Pump with water reservoir, Order No. 5.27110/ 5.27115/ 5.27116**

1 pump cylinder with stainless steel mechanism on concrete well, Ø 100 cm, depth of installation approx. 60 cm, pump swiipe of ash wood Ø 9 cm, length 2.30 m, weight approx. 600 kg, depending on type of distribution station (single or double), 3-way valve with pan bar handle and direction arrow, made of stainless steel/plastic, height 40 cm

- **Long Handle Pump with valve system, Order No. 5.27020/ 5.27025/ 5.27026**
- **Long Handle Pump with water reservoir, Order No. 5.27120/ 5.27125/ 5.27126**

2 pump cylinders and stainless steel mechanism on concrete well, Ø 100 cm, depth of installation approx. 65 cm, see-saw beam of larch, length 4 m, fall height ≤ 1 m, weight approx. 700 kg, depending on type of distribution station (single or double), 3-way valve with pan bar handle and direction arrow, made of stainless steel/plastic, height 40 cm

Masts

larch wood with steel foot, height approx. 4 m, 18/21 cm, cap of stainless steel or complete masts made of stainless steel tubes Ø 133 mm

foundation 80 x 80 x 80 cm, excavation depth 110 cm, edges to be rounded if sand and gravel is used

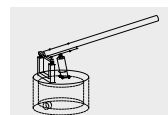
supply line, fabric hose 10 m and hose connector, included supply line to be laid in empty conduit such as drainpipe or flex pipe Ø 80 mm, not included in delivery supply line with 2 % gradient to pump concrete well for draining during period of frost



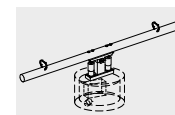
State Garden Show, Rosenheim, 2010
 Planning and water trays
 A24 landscape architects

Copyright © Richter Spielgeräte GmbH 10/15

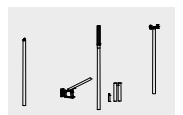
Design J.O. Gaier



5.27010



5.27020



5.27010 - 5.27060

Planning information

The masts and pumps should be arranged so that it is possible to observe the fountain effect when pumping. Accordingly, the masts with the smaller spraying radiuses should be positioned closer, and those with a larger spraying radius further away, at the edge of the space. The distance to the masts and between them should be 3 - 6 m. The effect of the sunlight and the contrast with darker backgrounds such as trees or the flat faces of buildings plays an important role here for the optical effect. In the case of higher spraying heads, the prevailing wind direction



State Garden Show Tirschenreuth

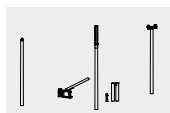


should be taken into consideration. The surfacing of the ground should be firm or graveled and be provided with a well working drainage. The water supply and the system must be drained during frost periods. Sensitive parts such as pump valves must be removed and stored in a frost-free location.

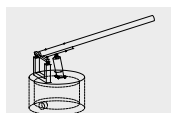
Individual solutions for the water supply must be devised, depending on the plans. Up-to-date details on the connection for the water supply and other technical information is available to download as a table at our website www.richter-spielgeraete.de. Go to "Products" and then to the applicable piece of equipment.

State Garden Show, Hemer, 2010
State Garden Show, Tirschenreuth 2013
 Colour scheme: Geskes · Hack, landscape architects

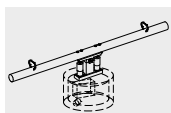
Masts made of stainless steel, powder-coated



5.27010 - 5.27060



5.27010



5.27020

Function

The six-sailed wheel of the windmill is supported by a triangular pylon. This is covered over on the lower part so that climbing-up is prevented. The membrane pump is positioned where it can be seen, its function recognizable, at a height of approx. 0.5 m. This is connected to the wind wheel with a rod and begins to work at the slightest wind speed. The wheel aligns itself using the vane according to the wind direction and turns successively away from the wind when the wind strength increases using the second vane which is attached lower down. In this way the windmill is not



Copyright © Richter Spielgeräte GmbH 10/15

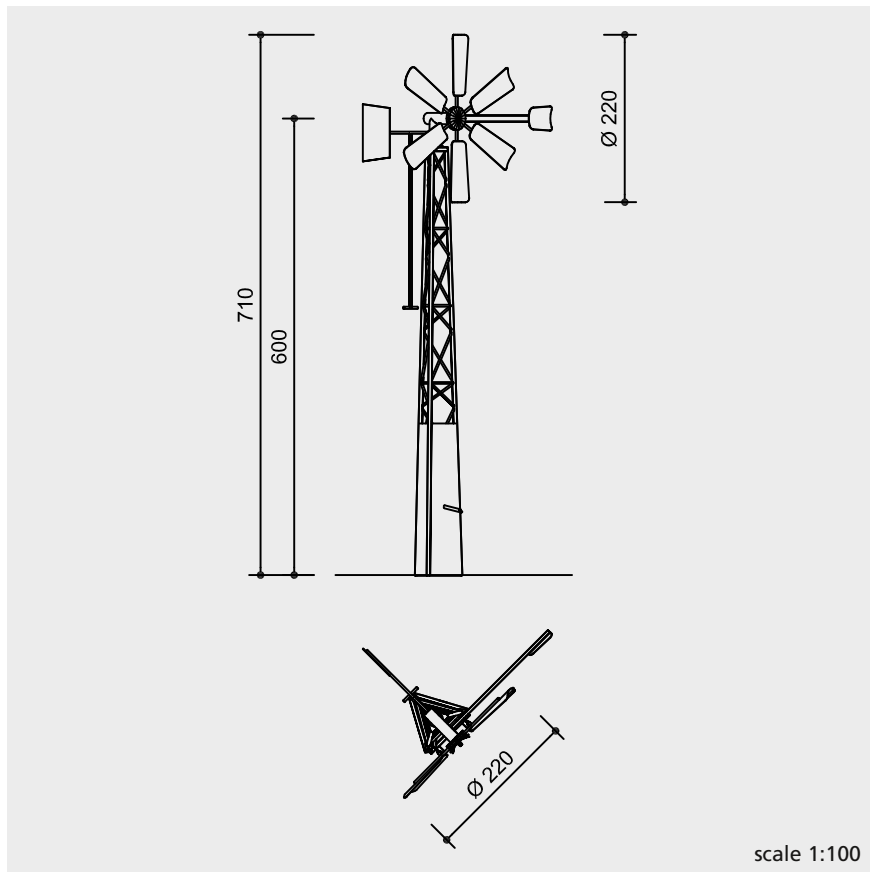
active during storms and not in too much danger. It can be shut down manually to provide additional safety.

The rather technical appearance of the windmill can be adjusted (for an additional charge) according to the local design using coloured sails. This then transforms the installation into a sign, distinguishable from afar, that there is something special going on.

Wind Mill



5.18900



Safety check according to EN 1176

Technical information

Three-legged freestanding lattice pylon made of galvanised steel

Anti-climber and sails made from stainless steel

Diaphragm pump:
water output up to 3000 litre/hour
suction lift 7 m
suction connection 1 1/4 inch

Dimensions

(small deviations possible)

total height	7.10 m
mast height	6.00 m
other sizes on request	
diameter of the sails	2.20 m
total weight	250 kg

Individual solutions for the water supply must be devised, depending on the plans. Up-to-date details on the connection for the water supply and other technical information is available to download as a table at our website www.richter-spielgeraete.de. Go to "Products" and then to the applicable piece of equipment.

Components

- 1 windmill
- 1 foundation frame with joints for easy assembly

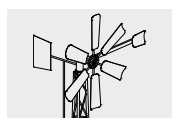
Installation information

Surfacing requirements
no requirements

Foundations
1 item 100 x 100 x 100 cm
excavation depth 120 cm
The water supply as well as the conduction of the delivered water to a gutter, a basin or the like needs careful planning.

Water supply
self-sucking from on-site, pressure-less
water storage container

Attention:
Exact measurements may vary, for all installation dimensions refer to current installation instructions.
Technical changes reserved.



5.18900

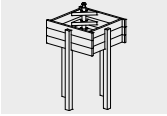

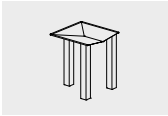





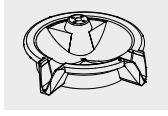


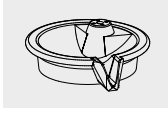


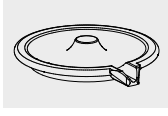

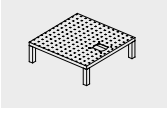
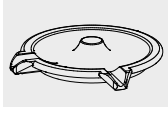


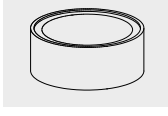


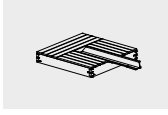
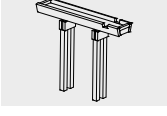

C Sand · Water · Mud

- 1 Working with sand and water
- 2 Pumping and splashing
- 3 Channels · basins · mud tables
- 4 Damming · channelling · propelling
- 5 Transporting water
- 6 Being carried by water

3

Our water play installations are generally flexible modular systems, which are available in a range of different materials. For many versions it is possible to combine wooden, metal or concrete elements into a harmonious design incorporating different modules, which can be assembled according to their location. Some of the elements have different functions: they can be used as a gutter and a play table at the same time or can be used for diverting and damming water. The water play systems need to be planned carefully in order to make sure that the water reaches all points of the installation.

C 3 Channels · basins · mud tables

Order No. Item	page	Order No. Item	page	Order No. Item	page
 5.10100 Reservoir	249 - 254	 5.15600 Triangular Channel	249 - 254	 5.14700 Mud Trough	255 - 258
 5.10200 Channel with Wedge Seal	249 - 254	 5.19000 Pump Pedestal of wood	249 - 254	 5.14800 Basin with Transverse See-Saw	255 - 258
 5.10300 Channel with Two Way Seal	249 - 254	 5.13000/5.13050 Water Flooder	255 - 258	 5.22000 Round Reservoir	259
 5.10400 Channel with Shutter	249 - 254	 5.13500 See-Saw Flooder	255 - 258	 5.22100 Round Reservoir	259
 5.10600 Round Mud Table	249 - 254	 5.14050 ff. Water Tray	255 - 258	 5.24000/5.24200 Round Water Basins	259
 5.10700 Square Mud Table	249 - 254	 5.14190 Pump Pedestal of stainless steel	255 - 258	 5.24300/5.24400 Round Water Basins	259
 5.12050 ff. Solid Water Channel	249 - 254	 5.14200 Channel with Ball Shutter	255 - 258	 5.24520 ff. Pedestal Pipe	259
 5.12500 Water See-Saw	249 - 254	 5.14400 Water Tray with Seal	255 - 258	 5.51000 ff. AQuadrat®	261
 5.12800 Channel with Transverse See-Saw	249 - 254	 5.14520 See-Saw Basin	255 - 258		



Play value

Our system of wooden water gutters consists of 10 elements of different shapes and functions which can be combined to individual water play installations. The gutters have different movable shutters, are installed with inclination or horizontal. They allow for interesting water play activities which are particularly attractive for children. The gutters - some of them are as wide as tables - can be used for playing with mud and distributing water. If required, the elements can be supplied with longer posts and thus can be installed in different heights. By this it is possible to take into account special requirements, e.g. of wheelchair bound children. This system of water gutters can be combined with different water wheels and Archimedes Screws.



Fundamental characteristics

- child proportions according to ergonomic requirements
- use of natural wood which is appealing to the senses; the beautiful structure of the wood gets more and more visible by use
- incentive for playing: wood, sand, water
- movement: motor activities

Basic elements of wood for water playgrounds

Suitable

- for children from 3 years
- for all water play areas

Barrier-free

- independant play



5.10100 - 5.15600



Integrative play

Playing with water is a favourite play offer for almost all children. Therefore, water play installations are very well suited for integrative play areas. The wooden water play elements with their easily comprehensible damming and distribution devices and the wide tables are an harmonious offer for children with different needs. The wooden gutters and tables can be installed in a way that also wheelchair bound children can play with them. Thus children with different abilities can play together. The overall planning should take into consideration the special surface requirements for wheelchair users.



5.10100 - 5.15600

Water

The play value of water play equipment is invaluable. Contact with the elements is part of the child's complete development. Feeling water, letting water flow, diverting it, damming it, letting it trickle away, and experiencing water power is all part of early experience. This all contributes to fun experiences and is a further step towards mastering the child's environment.



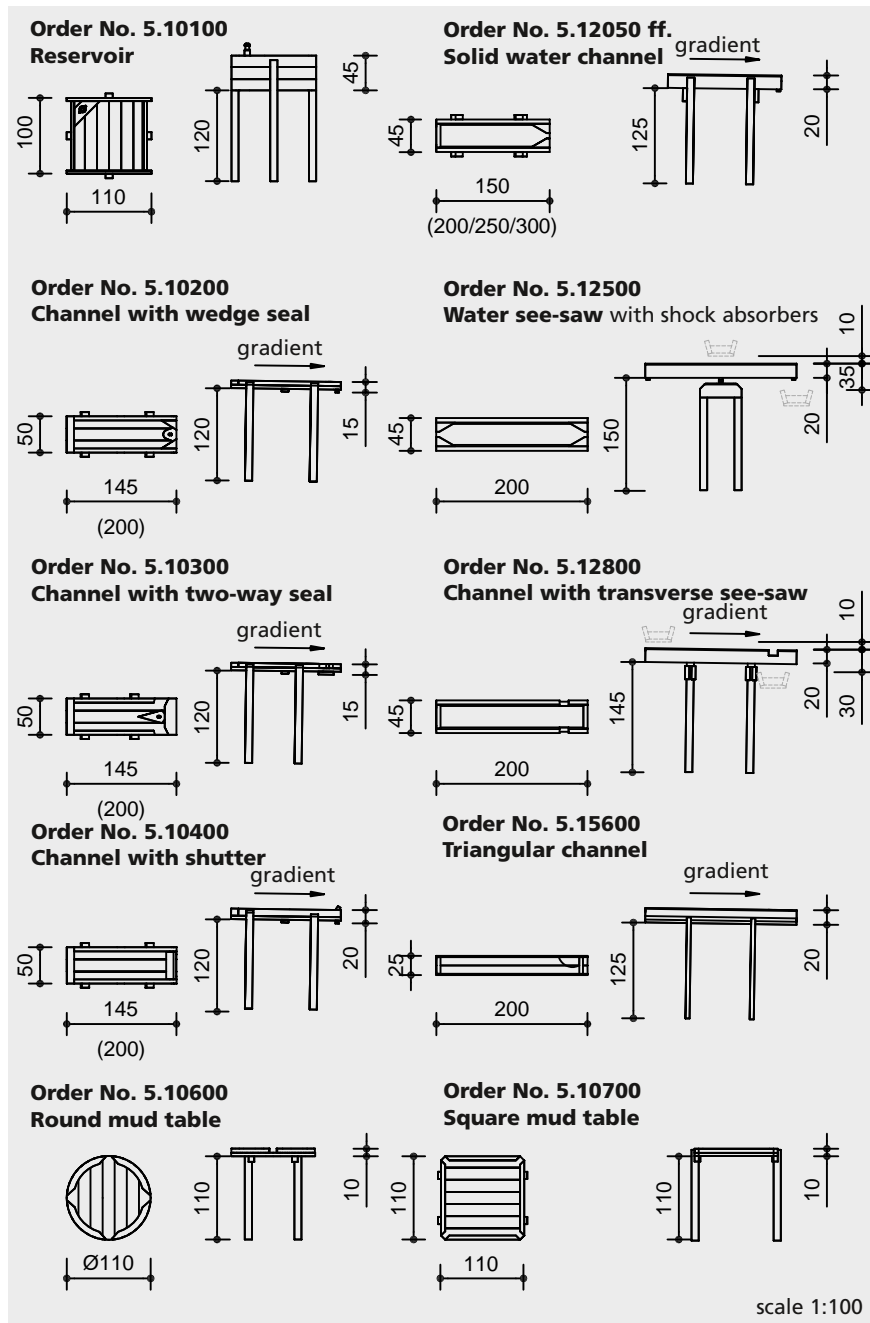
Basic elements of wood for water playgrounds

Copyright © Richter Spielgeräte GmbH 10/15

Design G. Beltzig



5.10100 - 5.15600



Safety check according to EN 1176

Components

1 element
with the corresponding number of support posts each



5.10100 - 5.15600

Installation information

Surfacing requirements
no fall height according to standard, staircase-like constructions may make necessary an examination of the fall height

Recommendation: sand with drainage or paving stone with gully; for playing with „mud“, sand is required.

Required space according to overall installation.

Foundations according to overall installation, excavation depth 70 cm each

Attention:
Exact measurements may vary, for all installation dimensions refer to current installation instructions.
Technical changes reserved.
Equipment also available with steel feet (support posts made of larch).

Technical information

equipment of non-impregnated mountain larch

core-free
core-free, by that formation of cracks can be reduced



tongue and groove
all surfaces of 40 mm tongue and groove boarding, except solid channels; in water-conducting elements, the boards are additionally sealed



support posts made of oak heartwood 10/10 cm; **5.15600:** 6/16 cm

Solid channels
Order No. 5.12050, 5.12500, 5.12800
floor plates 10/30 cm

Dimensions
(small deviations possible)

see sketches
weight 40 - 90 kg

Planning information

Equipment marked with a pointing arrow needs to be installed with a gradient of approx. 2% (= 2 cm on 1 m). This means that for planning not only the height of the equipment but also the gradient needs to be taken into consideration.

The lengths of the support posts must be checked for the planned installation heights. The required lengths of the support posts need to be calculated by the customer taking into consideration the installation depth (depending on the surface) and the intended height (above ground). Longer support posts can be supplied on request.

If several elements are installed in a line, this might make necessary a corresponding modelling of the ground.

For more detailed explanation of the quality characteristics see price list

Water and mud

Playing with mud, shaping and building with sand, earth and water is a fundamental human requirement, which even adults find difficult to suppress sometimes. With different types of water play equipment, children can gain insights into different functions and learn physical laws while playing. Troughs, water see-saws and mud tables ensure intense mud play which children often participate in together.



Basic elements of wood for water playgrounds

© Richter Spielgeräte GmbH 10/15

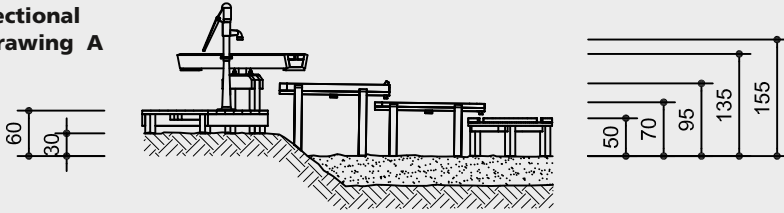
Design and Copyright



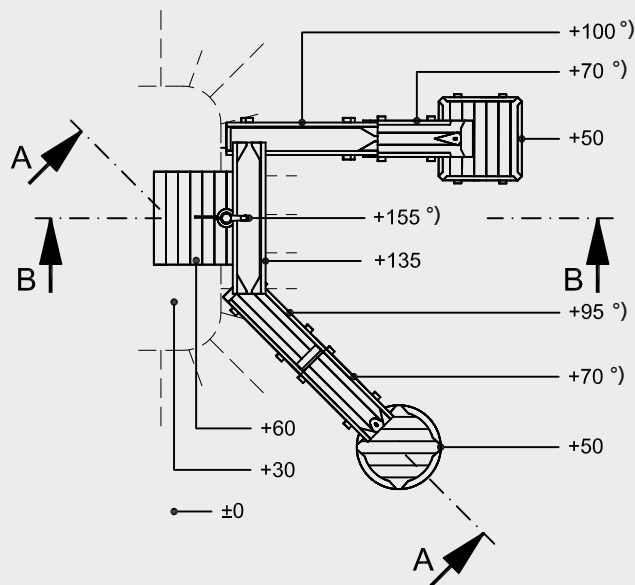
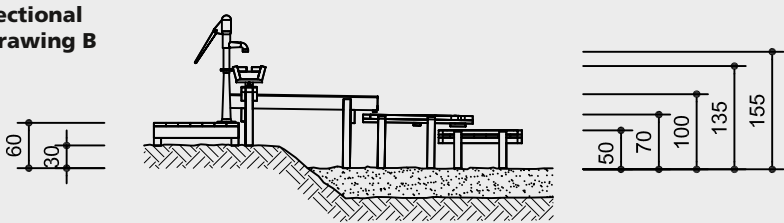
5.10100 - 5.15600

Planning Example

sectional drawing A



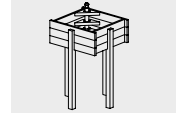
sectional drawing B



scale 1:100

In this planning example extended posts (surcharge) are required for the gutters marked with °). The hill can also be formed afterwards.

Order No. 5.10100
is usually allocated to pump, with bung for sealing;
height difference 50 cm *



Order No. 5.10200
can be used as water play table;
height difference 17 cm *



Order No. 5.10300
can be used as water play table and as distributor channel;
height difference 17 cm *



Order No. 5.10400
can be used as water play table;
height difference 21 cm *



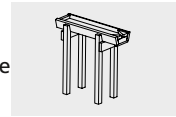
Order No. 5.10600
is mostly used as final element of a water way, 4 outlets;
height difference 18 cm *



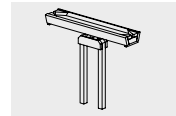
Order No. 5.10700
is mostly used as final element of a water way, 4 outlets;
height difference 18 cm *



Order No. 5.12050
basic element of this equipment group available up to 3 m length;
height difference 25 to 28 cm *



Order No. 5.12500
two-way distributor with sturdy, buffered mechanism
height difference 65 cm * to bottom, 15 cm * to top (see side view)



Order No. 5.12800
transverse distributor on rubber buffers;
height difference 30 cm * to bottom, 10 cm * to top (see side view)



Order No. 5.15600
standard length 2.00 m, but can also be delivered shorter;
height difference 24 cm *



*** The minimum height difference is the required distance between one element to the next. For see-saws the indicated measurements need to be kept to.**



5.10100 - 5.15600



Pedestal for Pump Order No. 5.14190



Play value

The Water Flooders remind one of water spouts and gullies. Due to their deep form, they hold a large quantity of water. When a child pumps energetically, swell, flood and the fast flowing of water can all be experienced.

Fundamental characteristics

- design with technical appearance
- incentive for playing: deep form
- movement: motor activities, physical effort

Suitable

- for children from 3 years
- for all water play areas



Water Play Elements of Metal

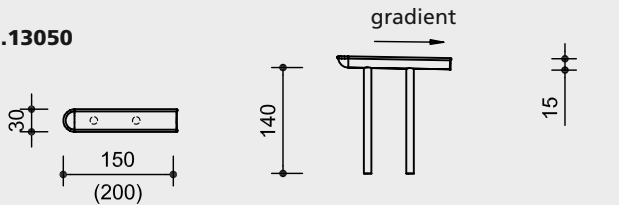


5.13000 - 5.14800

Order No. 5.13000/5.13050

Water Flooder

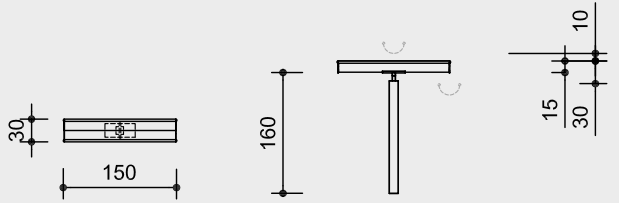
height difference
minimum 24 cm *



Order No. 5.13500

See-saw Flooder

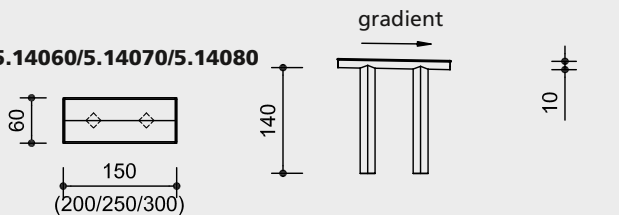
height difference
downwards
minimum 30 cm *
upwards
minimum 10 cm *



Order No. 5.14050/5.14060/5.14070/5.14080

Water Trays

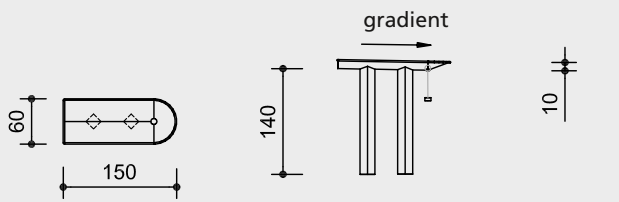
height difference
minimum
14 - 16 cm *



Order No. 5.14200

Water Tray with Ball Shutter

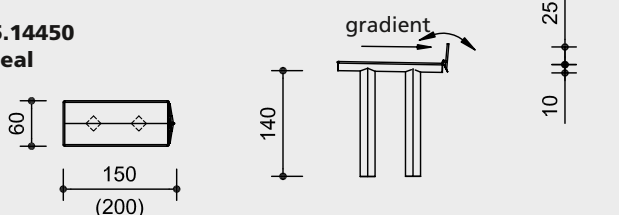
height difference
minimum 14 cm *



Order No. 5.14400/5.14450

Water Tray with 1 Seal

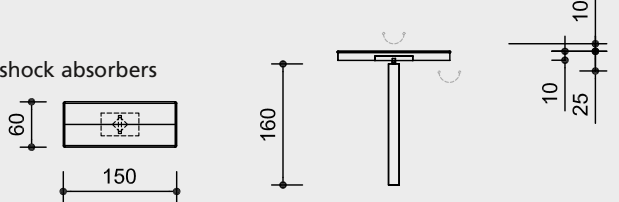
height difference
minimum 14 cm *



Order No. 5.14520

See-saw Basin with shock absorbers

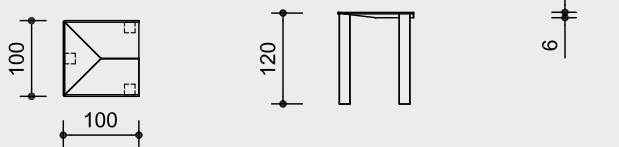
height difference
downwards
minimum 26 cm *
upwards
minimum 10 cm *



Order No. 5.14700

Mud Trough

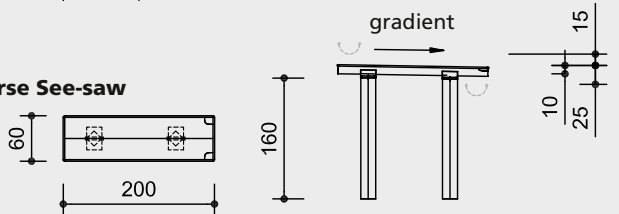
height difference
minimum 6 cm *



Order No. 5.14800

Basin with Transverse See-saw

height difference
downwards
minimum 25 cm *
upwards
minimum 15 cm *



scale 1:100

Technical information

equipment of stainless steel metal sheet, glass bead blasted, thickness 2 mm, with gripfriendly rim

brass bush

see-saw elements mounted on brass bushes, with rubber buffers; for all to and fro movements we use bush bearings which allow for self-lubrication while in use and which can be easily exchanged in case of need



shutters:

for Order No. 5.14200

polyamide ball, diameter 80 mm

for Order No. 5.14400

shutter with rubber seal, shuts by the weight of the handle

Dimensions

(small deviations possible)

Order No. 5.13000/5.13050

Water Flooder

support posts Ø 100 mm

all other support posts 120 x 120 mm

Order No. 5.13000, length 1.50 m

Order No. 5.13050, length 2.00 m

Order No. 5.13500, length 1.50 m
weight 41 - 46 kg

Order No.

5.14050/5.14060/5.14070/5.14080

length 1.50 m/2.00 m/2.50 m/3 m

weight 46 - 64 kg

Order No. 5.14200

length 1.50 m

weight 56 kg

Order No. 5.14400/5.14450

length 1.50/2.00 m

weight 56 kg

Order No. 5.14403/5.14453

length 1.50 m/2.00 m

weight 35 kg

Order No. 5.14520

length 1.50/2.00 m

weight 56 kg

Order No. 5.14700

exterior dimensions 1.00 x 1.00 m

weight 51 kg

Order No. 5.14800

length 2.00 m

weight 58 kg

Components

1 water play element

including the corresponding number of support posts for putting on

Planning information

Equipment marked with a pointing arrow needs to be installed with a gradient of approx. 2% (= 2 cm on 1 m). This gradient is provided for if the support posts are installed vertically. This means that for planning not only the height of the equipment but also the gradient needs to be taken into consideration.

For more detailed explanation of the quality characteristics see price list.

Safety check according to EN 1176



5.13000 - 5.14800

*** The minimum height difference is the required distance from one element to the next one. For see-saw equipment the indicated measurements need to be kept to for a proper function.**



Water Trays

This nicely shaped water play system made from stainless steel can be designed in many versions using different elements which can be assembled in relation to their location. Similar to our wooden water play installations, there are also available static and mobile water trays, as well as various flaps and water dishes.

Fundamental characteristics

- high-quality design
- incentive for playing: wide trays, sparkling light, shutter
- movement: motor activities, physical effort

Suitable

- for children from 3 years
- for all water play areas

Barrier-free

- independant play



Water Play Elements of Metal

Copyright © Richter Spielgeräte GmbH 10/15

Design G. Beltzig



5.13000 - 5.14800



Design

The water dishes are particularly suited to link bank zones and water areas so that the qualities of both areas become useable as a whole. The gently shaped flat dishes can be installed so that they nearly lie on top of the water. Reflections of images and sparkling light on both the metal and water interact make an inviting play offer to children. Water Trays and Water Flooders can be combined.



Water Play Elements of Metal

Installation information

Surfacing requirements
no fall height according to standard;
staircase-like constructions may make an examination of the fall height necessary

Recommendation: An ideal installation situation is in a sand surface with drainage and a corresponding landscape design. For installations on paving stone or similar with gully, it should be checked whether a sand separator is required.

Required space and foundations
according to overall installation.

Foundation according to overall installation, excavation depth 70 cm each

Attention:
Exact measurements may vary, for all installation dimensions refer to current installation instructions.
Technical changes reserved.
For use in chlorine water the equipment is also available with a special steel alloy.



5.13000 - 5.14800



Play value

The arrangement of these large basins has a strong aesthetic value. They serve as „mud table“ and water basin at the same time. Furthermore, their durability is extremely good. Thanks to the run-outs on one or two sides of the dish, it is possible to combine the dishes to become a water path with a variety of flow possibilities. It is possible to dam up a large quantity of water within the deep, round storage basin. When opening the seals, the force of the concentrated flow of water can be used for driving a water wheel.

Fundamental characteristics

- high-quality design
- incentive for playing: water, round shape, locking elements
- movement: fine motor activity, accompanying the water flow

Suitable

- for children from 3 years
- for all water play areas



Photo by Daniel Perales

Order No. 5.18005 Mushroom Pump for Concrete Basins

Water Play Elements of Concrete

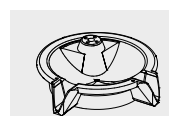
- Round Reservoir**
- Round Water Basin**
- Pedestal Pipe**



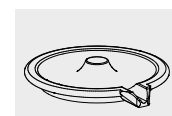
Order No. 5.17510 Top of Playground Pump

Copyright © Richter Spielgeräte GmbH 10/15

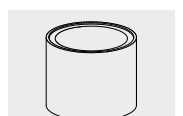
Design G. Beltzig



5.22000 - 5.22100



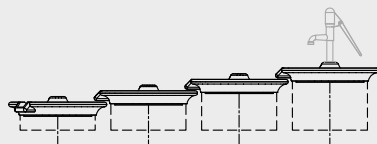
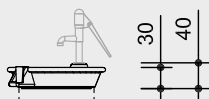
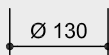
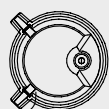
5.24000 - 5.24400



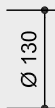
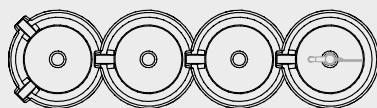
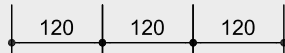
5.24520 - 5.24580



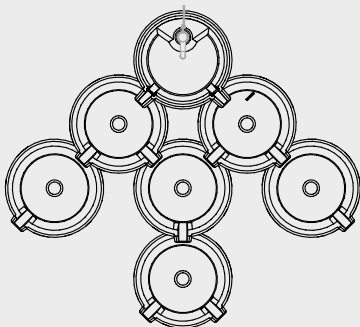
**Order No. 5.22000 ff.
Round Reservoirs
with 1 or 2 openings**



**Order No. 5.24000 ff.
Round Water Basins**



**Planning example with
different concrete basins**



scale 1:100

Technical information

Each dish is cast as 1 part of vibrated concrete C 30/37

locking elements of the reservoirs of vulcanised rubber on hot-dip galvanised chain

Dimensions

(small deviations possible)

Order No. 5.22000/5.22100

Round Reservoirs

outside diameter	1.30 m
equipment height	0.40 m
weight	520/510 kg

Order No. 5.24000/5.24200/5.24300/5.24400

Round Water Basins

outside diameter	1.30 m
equipment height	0.15 m
weight	260 - 280 kg

Order No. 5.24520

Pedestal Pipe

outside diameter	1.00 m
height	0.20 m
weight	145 kg

Order No. 5.24540

Pedestal Pipe

outside diameter	1.00 m
height	0.40 m
weight	295 kg

Order No. 5.24560

Pedestal Pipe

outside diameter	1.00 m
height	0.60 m
weight	445 kg

Order No. 5.24580

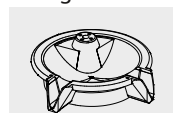
Pedestal Pipe

outside diameter	1.00 m
height	0.80 m
weight	590 kg

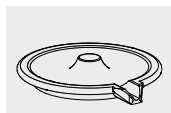
Safety check according to EN 1176

Components	Order No.	Installation information
1 Round Reservoir with pump connection and 2 openings	5.22000	Surfacing requirements no fall height according to standard; staircase-like constructions may make an examination of the fall height necessary
1 Round Reservoir as before, with 1 opening	5.22100	
1 Round Water Basin with 1 opening	5.24000	Recommendation: sand with drainage or paving stone with gully; for playing with „mud“, sand is required.
1 Round Water Basin as before, with pump connection	5.24200	
1 Round Water Basin with 2 openings	5.24300	Required space and foundations according to overall installation.
1 Round Water Basin as before, with pump connection	5.24400	For getting the required height difference, 1 pedestal pipe per basin is needed
1 Pedestal Pipe height 20 - 80 cm	5.24520 - 5.24580	Order No. 5.24520 - 5.24580 on concrete foundation

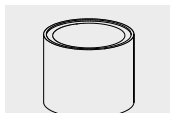
Attention:
Exact measurements may vary, for all installation dimensions refer to current installation instructions.
Technical changes reserved.



5.22000 - 5.22100



5.24000 - 5.24400



5.24520 - 5.24580

Play value

The water play installation AQuadrat® is a flexible modular system made of solid oak timber with gutters made of stainless steel. Due to its design qualities, it can be installed in pedestrian zones, streets and piazzas. Here, AQuadrat® is not only an attractive meeting point with unusual seats, it offers „clean“ play and adventure for children with water in surroundings unfamiliar for playing. AQuadrat® enriches urban life. On the other hand, due to its sturdy construction and many possibilities for combination with Archimedes Screws, Water Wheels or Pumps, AQuadrat® is also an attractive play offer in water-mud-areas on playgrounds.

Fundamental characteristics

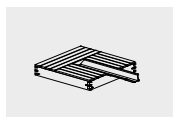
- high-quality design
- unusual seats
- modular system

Suitable

- for children from 3 years
- for public playgrounds
- urban play areas
- leisure parks
- outdoor swimming pools

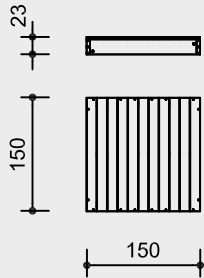


AQuadrat®

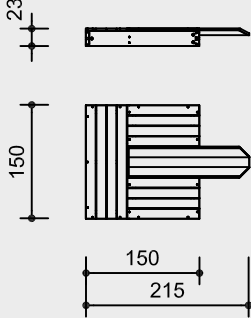


5.51000 - 5.53400

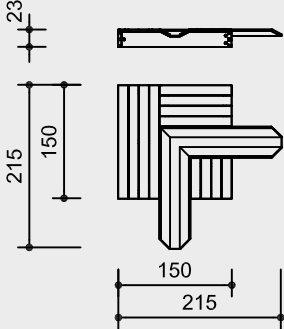
Order No. 5.53000 AQuadrat®



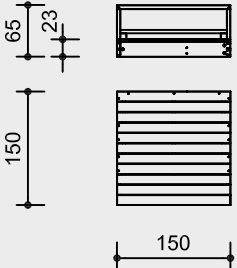
Order No. 5.51000 AQuadrat®
with straight gutter



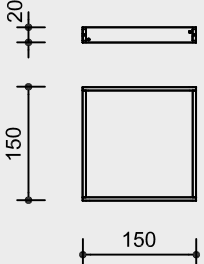
Order No. 5.52000 AQuadrat®
with angled gutter and seal



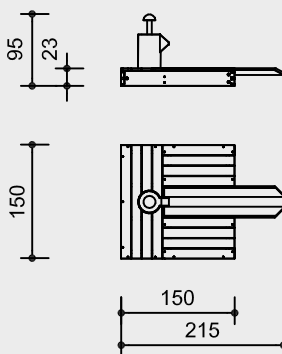
Order No. 5.53100 AQuadrat®
with bench



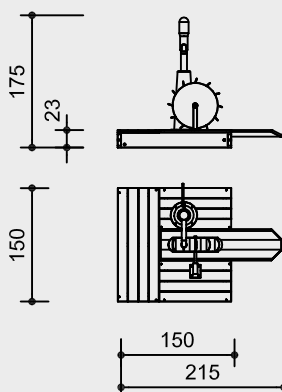
Order No. 5.53010 AQuadrat®
substructure without feet



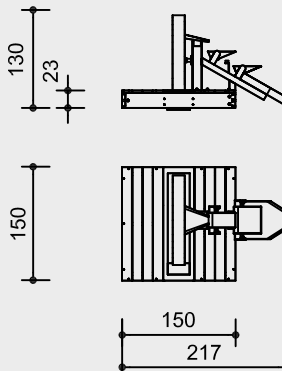
Order No. 5.51010 AQuadrat®
with straight gutter and Mushroom Pump



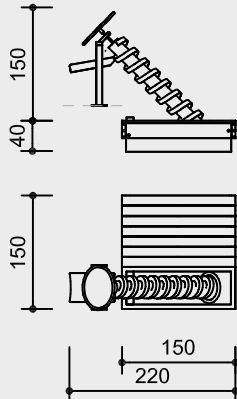
Order No. 5.53200 AQuadrat®
with Playground Pump and Water Wheel



Order No. 5.53300 AQuadrat®
with scooping wheel and see-saw basin



Order No. 5.53400 AQuadrat®
with Archimedes Screw, supporting construction and run out dish



scale 1:100

Technical information

pedestals

modular system of oak heartwood, in high-quality and superior construction

core-free timber

sawn timbers are core-free, by that formation of cracks can be reduced

ground anchor

all parts used for anchoring to the ground made of hot-dip galvanised steel

with dovetail jointed corners

gutters of stainless steel, glass bead blasted

functional elements of stainless steel, glass bead blasted and industrial rubber

Dimensions

(small deviations possible)

size of module	1.50 x 1.50 m
height of single elements	0.23 m
height of the substructure	0.20 m

Components

depending on the overall installation

Installation information

Surfacing requirements
no fall height according to standard; a staircase like construction may make necessary a check of the critical fall heights.

Recommendation: sand with drainage and pavement with gully and corresponding landscaping.

Foundations per corner
1 item 50 x 50 x 50 cm
excavation depth 70 cm

Attention:

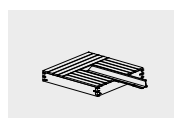
Exact measurements may vary, for all installation dimensions refer to current installation instructions.

Technical changes reserved.



For more detailed explanation of the quality characteristics see price list.

Safety check according to EN 1176



5.51000 - 5.53400

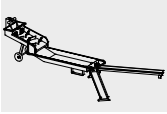

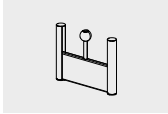
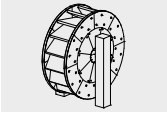


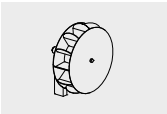
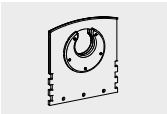
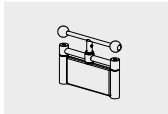



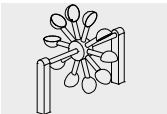
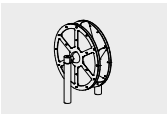

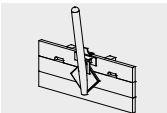

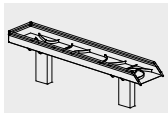
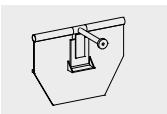
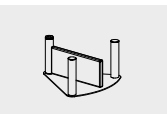
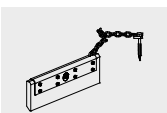
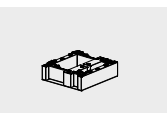
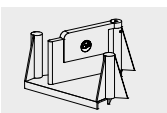

C Sand · Water · Mud

- 1 Working with sand and water
- 2 Pumping and splashing
- 3 Channels · basins · mud tables
- 4 Damming · channelling · propelling
- 5 Transporting water
- 6 Being carried by water

4

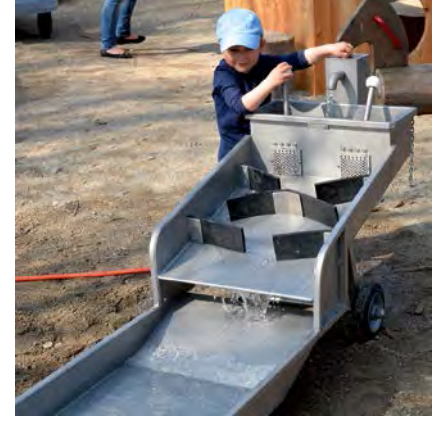
The medium of water is defined by the action of its flow. For people, above all for children, it is a lot of fun being "master" of the element for a while. It is very exciting to determine the course of a stream or to dam it, to make an artificial lake and then experience the power of water when opening the dam. The attractively shaped metal elements provide opportunities for versatile and intense play and promote communication and cooperation.

C 4 Damming · channelling · propelling

Order No. Item	page	Order No. Item	page	Order No. Item	page
					
5.21800 Mobile Water Playground	263	5.20930 Lock Gate	271	5.28031 Board Gate	279
					
5.15810 Mill Wheel of wood	265	5.20950 Ball Valve	271	5.28032 Sickle Gate	281
					
5.15820 Mill Wheel of metal	265	5.20908 Damming Disc	273	5.28035 Rotating Gate	281
					
5.15900/5.15910 Small Bucket Wheel	267	5.28010 Water Wheel with Flying Shovels	275	5.28033 Round Flap	283
					
5.15920 Big Bucket Wheel	267	5.28015 Water Wheel	275	5.28034 Rectangular Flap	283
					
5.20900 Dam	269	5.28020 Horizontal Millwheel	277	5.41020/5.41030 Flow Table	285
					
5.20905 Water Flap	269	5.28040 River Fork	277		
					
5.20910/5.20915 Damming Wedge	269	5.28045 Canal Lock	277		
					
5.20907 Water Switch	271	5.28030 Bar Gate	279		

Play value

Flowing water ignites a child's world of fantasy in a whole range of ways. Direct contact with the wet element inspires the young spirit to ceaselessly explore and seek out as-yet-undiscovered secrets. By repeatedly touching a button, the device fills with water bit by bit, and, with a simple movement of the lever, can be channelled into the sloping level. There the water is transformed by flexible, projecting obstacles into an eddying flow before it collects in the attached shallow water basin.



Overflow installations prevent flooding of the immediate area. Two steel channels at the end of the basin make sure that the dammed water flows off in a targeted way.

Mobile Water Playground

Fundamental characteristics

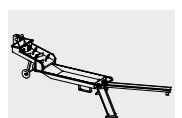
- mobile installation thanks to the "wheelbarrow" design
- simple plug-in connection with garden hose
- motivates group organisation
- exercise activity: fine motor skills

Suitable

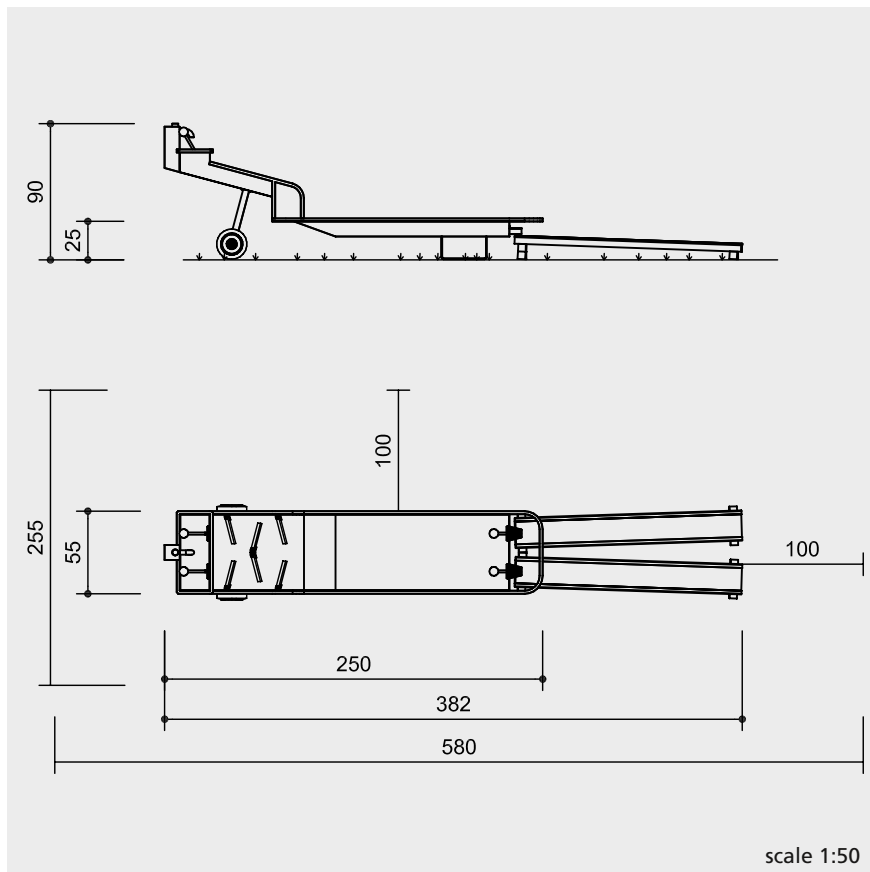
- for children from 2 years
- for kindergartens
- children's day care centres
- supervised water play areas

Copyright © Richter Spielgeräte GmbH 10/15

Design G. Beltzig



5.21800



Technical information

entire equipment made of stainless steel, glass bead blasted

rubber-tyred wheels

flow obstacles made of rubber flaps

Dimensions

(small deviations possible)

main equipment	
height	0.90 m
length	2.50 m
width	0.55 m
gutter length	
	1.50 m
weight	
	90 kg

Safety check according to EN 1176

Components

1 mobile water playground with 2 water outlet gutters

Installation information

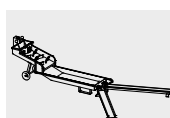
Surfacing requirements
turf, topsoil, paving or similar with adequate drainage for water

The water playground is not stationary equipment and does not require foundations.

It can be connected to a commercially available garden hose on site.

The water outlet gutters are not fixed permanently to the main equipment. They can be run in parallel or at any desired angle.

Attention:
Exact measurements may vary, for all installation dimensions refer to current installation instructions.
Technical changes reserved.
For usage with chlorinated water, the equipment is available made of V4A steel.



5.21800



Order No. 5.15820 Mill Wheel of metal

Function and Play value

It is attractive both for children and older people to put something into motion by means of visible power. When it is possible to change this power by mechanical influence, the attraction is even greater. The element of water as a power source is of great importance. Therefore, water wheels are always an important component of a water play installation. Both Mill Wheels are propelled by the weight of the water. However, it is important to know about the clearly visible and recognisable relationship and to have the possibility to change something.

Fundamental characteristics

- unique by its original mill wheel design
- incentive for playing: recognition

Suitable

- for children from 3 years
- for all water play areas on playgrounds and adventure playgrounds

Barrier-free - independent play

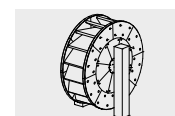


Mill Wheel of wood
Mill Wheel of metal

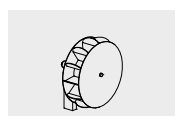


Copyright © Richter Spielgeräte GmbH 10/15

Design G. Beltzig

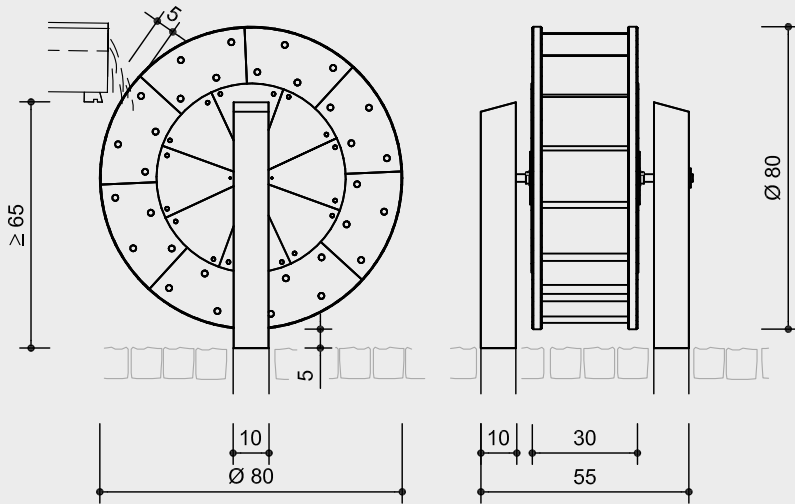


5.15810

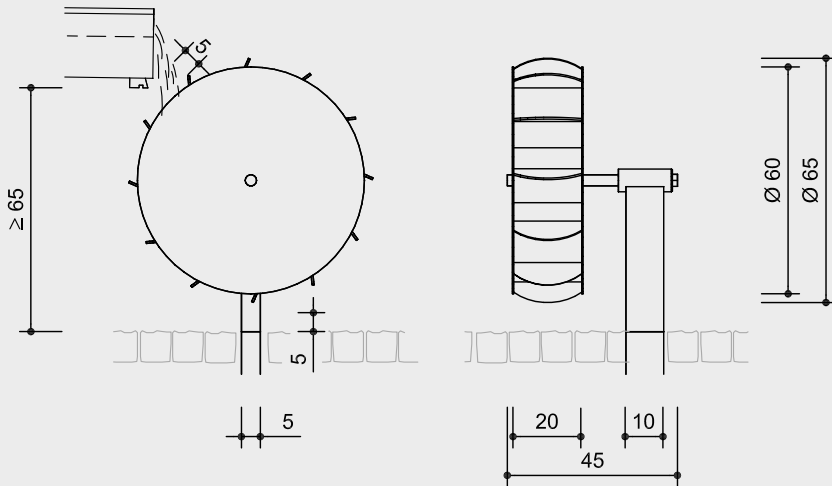


5.15820

Order No.
5.15810 Mill Wheel of wood



Order No.
5.15820 Mill Wheel of metal



scale 1:20

Safety check according to EN 1176

Technical information

Order No. 5.15810 Mill Wheel

core-free timber

sawn timbers of non-impregnated mountain larch, core-free, by that formation of cracks can be reduced, support posts made of oak heartwood 10/10 cm

ball bearing

low-maintenance, easily replaceable ball bearings

craftsman-like water wheel construction with grooved and slitted wood connections

shaft, hub and hoop of stainless steel, glass bead blasted

Dimensions

(small deviations possible)

height	0.85 m
width	0.55 m
diameter of wheel	0.80 m
weight	50 kg

Order No.

5.15820 Mill Wheel of metal

whole equipment of stainless steel, glass bead blasted, for use in chlorine water there is also a special steel alloy available, thickness of material 3 mm easy-grip contact surfaces

ball bearing

low-maintenance, easily replaceable ball bearings

Dimensions

(small deviations possible)

height	0.70 m
width	0.45 m
diameter of wheel	0.65 m
weight	27 kg

Components

1 part each

Installation information

Surfacing requirements

Recommendation: sand with drainage or paving stone with gully and a corresponding surface design; The Mill Wheels are only designed for overshot operation. Please refer to drawing for required minimum height difference.

Foundations

Order No. 5.15810

Mill Wheel of wood

1 item 50 x 90 x 50 cm excavation depth 70 cm

Order No. 5.15820

Mill Wheel of metal

1 item 50 x 50 x 50 cm excavation depth 70 cm

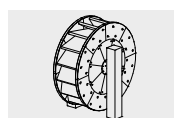
Attention:

Exact measurements may vary, for all installation dimensions refer to current installation instructions.

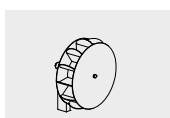
Technical changes reserved.



For more detailed explanation of the quality characteristics see price list.



5.15810



5.15820



Function and Play value

The Metal Bucket Wheels are an eye-catcher in water play areas, particularly when reflections of sparkling light emphasise the agreeable design. The small bowls, arranged in a radial shape, are very attractive for children. When the Wheel starts turning by the power of water, the one at the pump is working even more intensive in order to accelerate the movement of the wheel. The Large Bucket Wheel can also be driven by a stream of water in a channel.

Fundamental characteristics

- high-quality design
- incentive for playing: small buckets arranged in radial shape

Suitable

- for children from 3 years
- for all water play areas in playgrounds and adventure parks
- for hard landscapes
- for piazzas and other urban areas

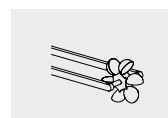
Barrier-free

- independent play



Order No. 5.15910 Small Bucket Wheel for site foundations

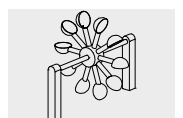
Small Bucket Wheel
for concrete base or site foundations
Big Bucket Wheel



5.15900



5.15910

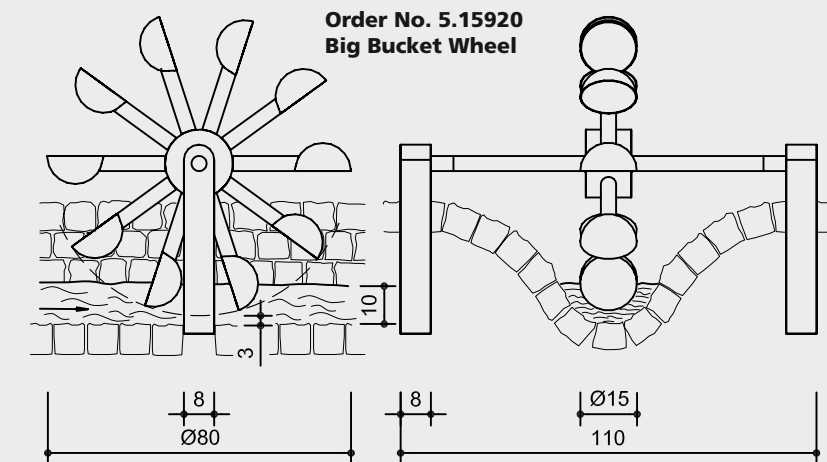
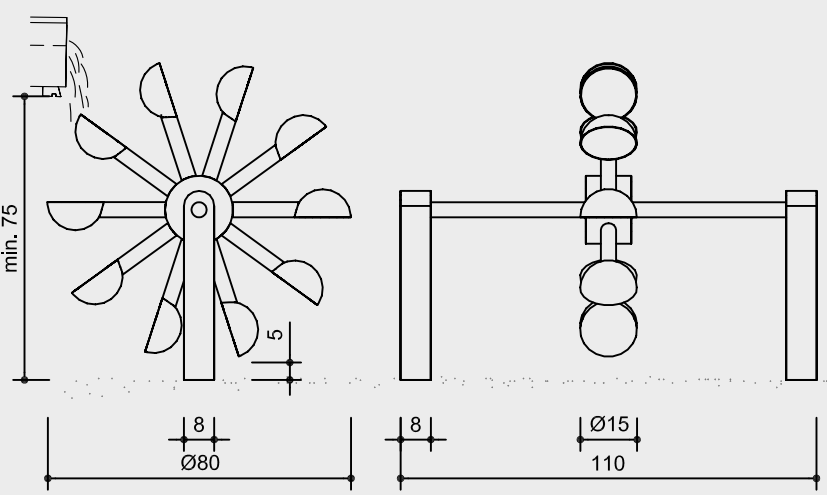
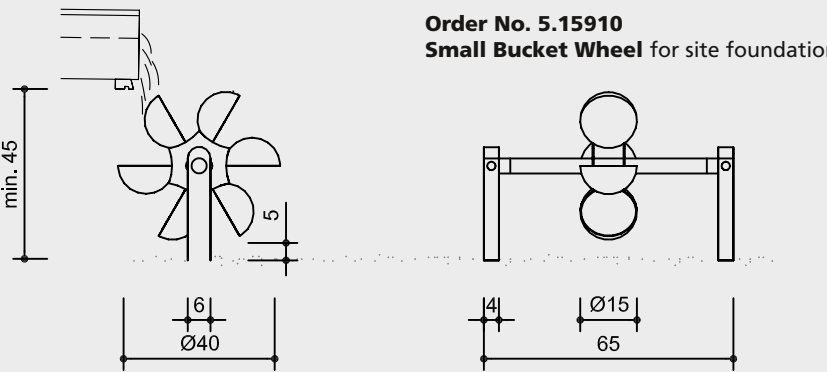
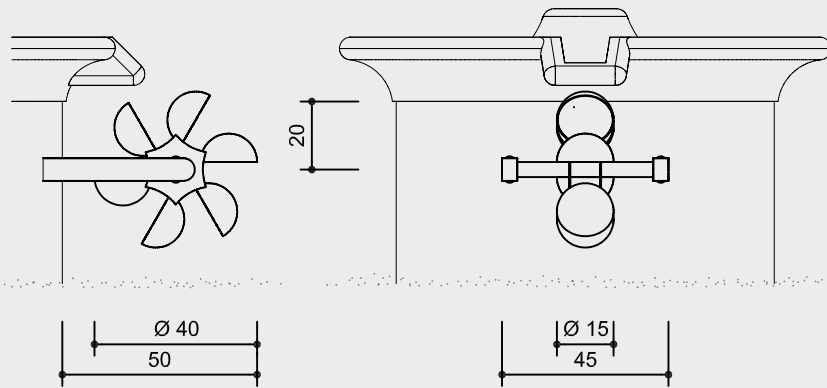


5.15920

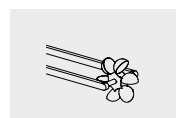
Order No. 5.15900

Small Bucket Wheel for concrete base

scale 1:20



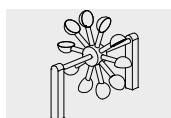
Safety check according to EN 1176



5.15900



5.15910



5.15920

Technical information

all equipment of stainless steel,
glass bead blasted

thickness of metal sheet 3 mm

diameter of hemisphere 150 mm

ball bearing

low-maintenance, easily replaceable
ball bearings



Dimensions

(small deviations possible)

Order No. 5.15900

Small Bucket Wheel for concrete base

width 0.45 m

projection over

concrete base 0.50 m

diameter of wheel 0.40 m

weight 13 kg

fitting concrete base see Order No. 5.15950 in the price list

Order No. 5.15910

Small Bucket Wheel for site
foundations

height 0.45 m

width 0.65 m

diameter of wheel 0.40 m

weight 15 kg

Order No. 5.15920

Big Bucket Wheel

height 0.85 m

width 1.10 m

diameter of wheel 0.80 m

weight 22 kg

Components

1 part each

Installation information

Surfacing requirements

Recommendation: sand with drainage
or paving stone with gully

The Bucket Wheels are made for
overshot operation. The required
minimum height difference can be seen
in the drawing. If it is wished to install
the Big Bucket Wheel for undershot
operation, a large amount of water
and a strong flow is required for it to
function correctly. A minimum water-
flow rate of 66 cm/sec. is required. The
bottom bucket should dip into the
water by about half, or even better,
three quarters of its diameter. When
the Bucket Wheel is driven by banked
up water an amount of at least 3/4 m³ is
required to generate a few revolutions.
The Small Bucket Wheel cannot be
operated undershot at all.

Foundations

Order No. 5.15910

1 item 50 x 90 x 30 cm

excavation depth 70 cm

Order No. 5.15920

2 items 40 x 40 x 30 cm

excavation depth 50 cm

Attention:

**Exact measurements may vary, for
all installation dimensions refer to
current installation instructions.**

Technical changes reserved.

**For use in chlorine water the equip-
ment is also available with a special
steel alloy.**

For more detailed explanation of the
quality characteristics see price list.

Play value

Water play installations become even more attractive when they help to experience water in different ways. Children particularly enjoy damming water. On one hand, they are momentarily the „Master“ of the element water when stemming the flood water and on the other hand, they experience, through play, the water power when opening the lock of the dam.

Fundamental characteristics

- different ways of damming and collecting water
- incentive for playing: technical appearance

Suitable

- for children from 3 years
- for all water play areas in playgrounds and adventure areas



Order No. 5.20910 Damming Wedge

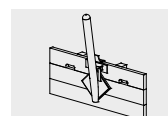


Order No. 5.20905 Water Flap

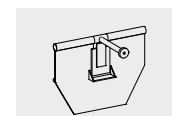


Order No. 5.20900 Dam of Wood

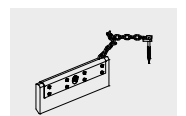
**Dam of Wood
Water Flap
Damming Wedge**



5.20900

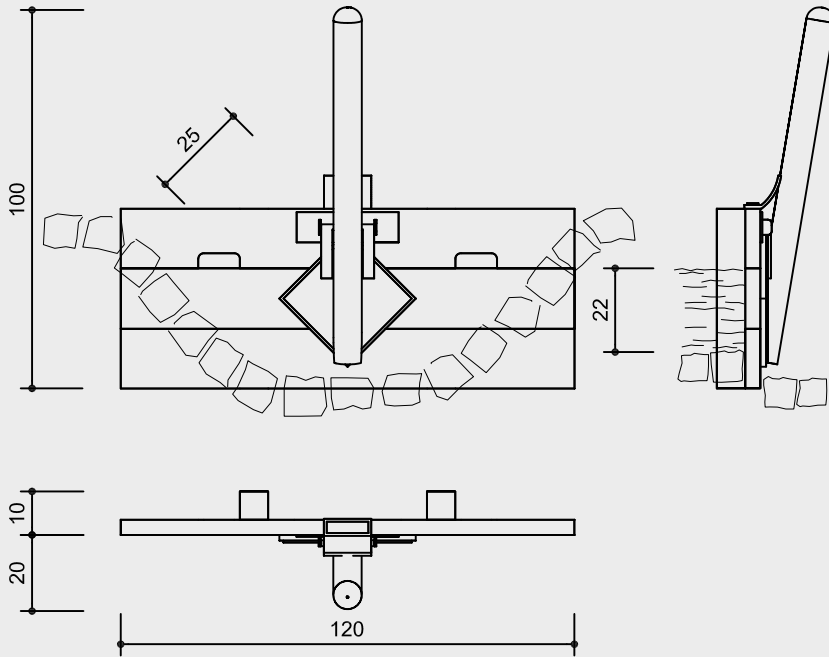


5.20905

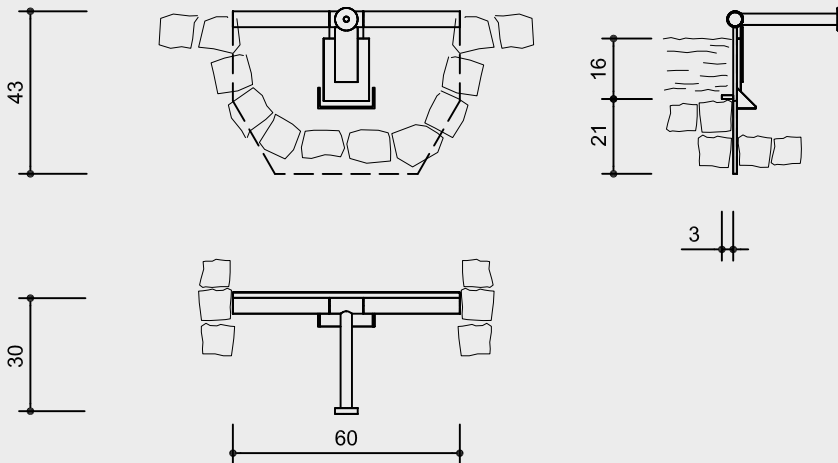


5.20910

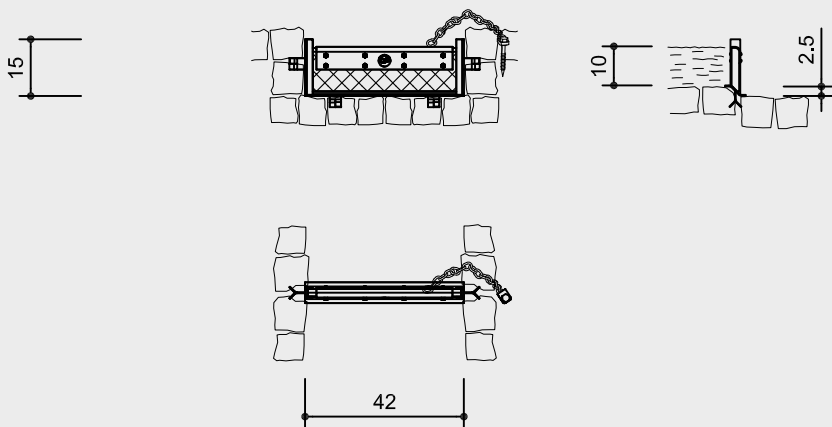
Order No. 5.20900 Dam of Wood



Order No. 5.20905 Water Flap

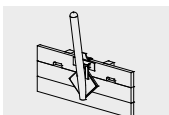


Order No. 5.20910 Damming Wedge

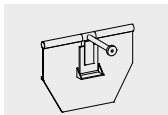


scale 1:20

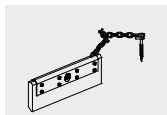
Safety check according to EN 1176



5.20900



5.20905



5.20910

Technical information

Order No. 5.20900 Dam of Wood

tongue and groove

plate of 45 mm tongue and groove boarding, of non-impregnated mountain larch



metal parts of stainless steel, glass bead blasted

seal of 15 mm rubber plate, opening sealed with sealing tape

Dimensions

(small deviations possible)

height 1.00 m
width 1.20 m
damming height 0.22 m
weight 27 kg

Order No. 5.20905 Water Flap

basic construction of stainless steel, glass bead blasted

seal of 10 mm rubber plate

Dimensions

(small deviations possible)

height 0.43 m
width 0.60 m
damming height 0.16 m
weight 20 kg

Order No. 5.20910 Damming Wedge

damming wedge of industrial rubber, holding device of stainless steel, glass bead blasted

chain of stainless steel with swivel

Dimensions

(small deviations possible)

height of wedge 0.15 m
width 0.42 m
length of chain 0.30 m
height of threshold 0.025 m
damming height 0.10 m

Order No. 5.20915

damming height 0.20 m
weight 3 kg

Components

Dam of Wood and Water Flap

1 part

Damming Wedge

1 Damming Wedge

1 Guide Frame

Installation information

hard surface

Foundations depending on installation situation; the Dam of Wood is bricked in the channel and can be installed optionally in flow direction or against flow direction.

Attention:

Exact measurements may vary, for all installation dimensions refer to current installation instructions. Technical changes reserved.

For use in chlorine water the equipment is also available with a special steel alloy.

For more detailed explanation of the quality characteristics see price list.



Order No. 5.20950 Ball Valve

Play value

Water play installations become even more attractive when they help to experience water in different ways. Children particularly enjoy damming water. On one hand, they are momentarily the „Master“ of the element water when stemming the flood water and on the other hand, they experience, through play, the water power when opening the lock of the dam. It is most fun when natural materials such as mud, leaves and small sticks are used to dam the water. However, this is often not possible or desired. Therefore, complementary elements such as locks or flaps are required.

Fundamental characteristics

- high-quality design
- sturdy construction; can also be used in wide gutters
- incentive for playing: technical appearance

Suitable

- for children from 3 years
- for all water play areas in playgrounds and adventure areas

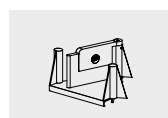


Order No. 5.20907 Water Switch

**Water Switch
Lock Gate
Ball Valve**



Order No. 5.20930 Lock Gate



5.20907

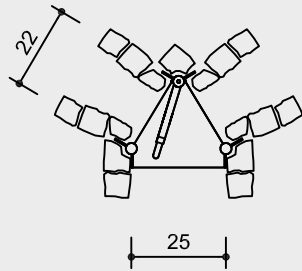


5.20930

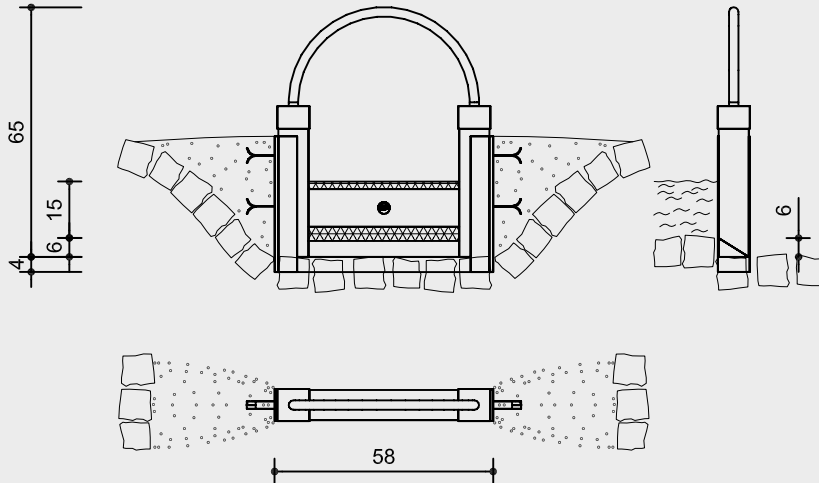


5.20950

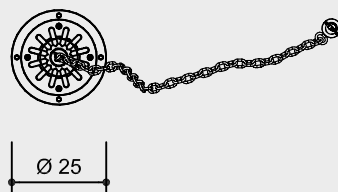
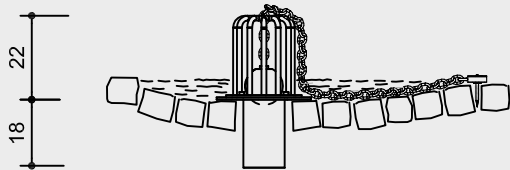
Order No. 5.20907 Water Switch



Order No. 5.20930 Lock Gate with installation frame



Order No. 5.20950 Ball Valve



scale 1:20

Safety check according to EN 1176



5.20907



5.20930



5.20950

Technical information

Order No. 5.20907 Water Switch

total construction of stainless steel,
glass bead blasted
sealing plate of solid rubber

Dimensions

(small deviations possible)
height 0.15 m
side length 0.22 / 0.25 m
damming height 0.12 m
weight 8 kg

Order No. 5.20930 Lock Gate with installation frame for installation in a concrete or brick channel

all metal parts of stainless steel,
glass bead blasted
seal of 20 mm rubber plate

Dimensions

(small deviations possible)
height 0.65 m
width 0.58 m
damming height 0.15 m
weight 20 kg

Order No. 5.20950 Ball Valve

equipment of stainless steel,
glass bead blasted
ball of polyamide, freely moveable in a basket which is screwed on a round plate with a pipe connection with diameter 100 mm, for connection to an existing pipe; plate and chain for fixation with masonry plugs

Dimensions

(small deviations possible)
equipment height 0.24 m
ground plate Ø 250 mm
ball Ø 100 mm
weight 12 kg

Components

1 part each

Installation information

Reinforced surface

Foundations according to installation information

Lock Gate

The sealing is appropriate for playground use, it is possible that a small quantity of water passes the sealing. For a proper function a height difference of 6 cm is required as the threshold is bevelled in order to avoid that materials deposit in the sealing zone.

Ball Valve

The outlet of the Ball Valve should have a cleaning possibility (sand collector).

Attention:

Exact measurements may vary, for all installation dimensions refer to current installation instructions.

Technical changes reserved.

For use in chlorine water the equipment is also available with a special steel alloy.

Operation and play value

When allowed to flow, you can see and feel all the vitality and power inherent in the medium of water. You can dam the water or make it flow by turning the plastic disc.

Fundamental characteristics

- exclusive design
- easy operation

Suitable

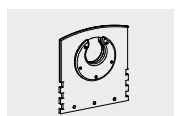
- for children from 3 years of age
- for all water play areas in play and adventure spaces



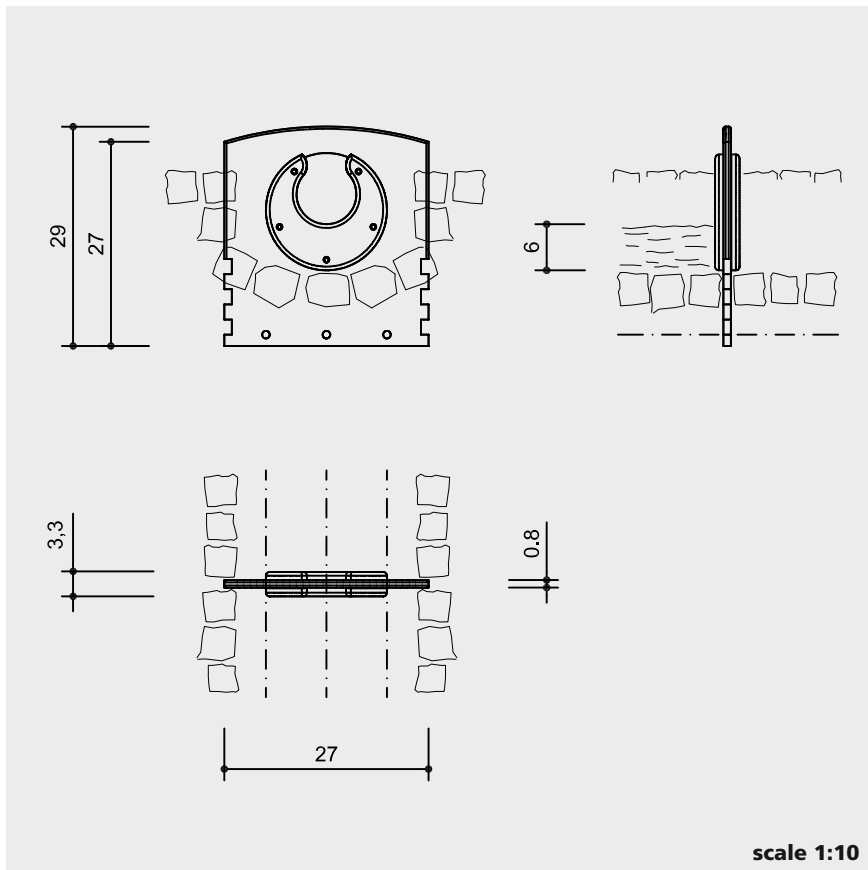
Planning information

The damming disc should not come into contact with sand (for reasons of functionality, i.e. turning the disc).

Damming Disc



5.20908



Technical information

basic construction made of stainless steel, glass bead blasted

asymmetrical revolving disc made of plastic

Dimensions

(small deviations possible)

height	0.29 m
width	0.27 m
damming height	0.06 m
weight	5 kg

Safety check according to EN 1176

Components

1 part

Installation information

paved surfacing

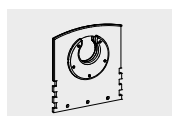
foundations depending on the installation situation

Attention:

Exact measurements may vary, for all installation dimensions refer to current installation instructions.

Technical changes reserved.

For usage with chlorinated water, the equipment is available made of V4A steel.



5.20908

Function and Play value

Water wheels are always an important component of a water play installation. To set objects in motion and make force visible is extremely attractive to children. Both versions of our wheels are set in motion just by the weight of the water. The clearly visible and recognisable interconnection between cause and effect and the possibility of changing it is an invaluable learning experience.



Order No. 5.28010 Water Wheel with flying shovels



Order No. 5.28015 Waterwheel

Suitable

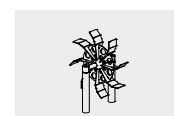
- for small children's areas of public playgrounds, play areas situated near houses, kindergartens, children's homes
- for water play zones in all spaces for play and experiences

Barrier-free - independent play

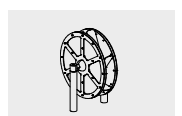
Water Wheel with flying shovels
Waterwheel

Copyright © Richter Spielgeräte GmbH 10/15

Design: F.J. Wagner

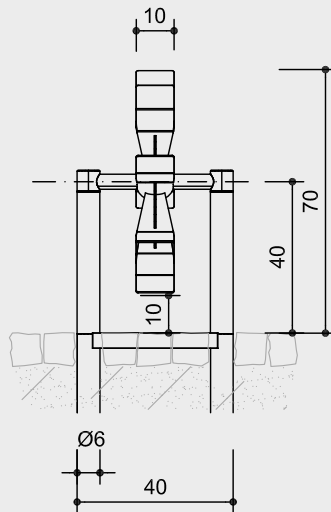
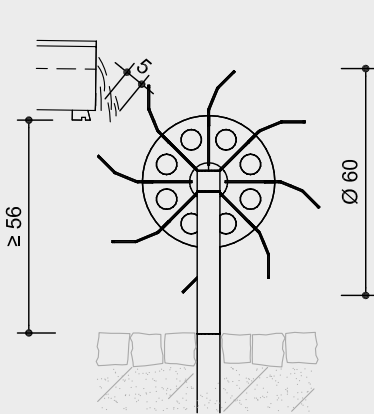


5.28010

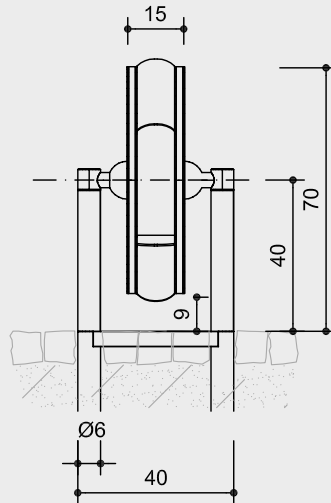
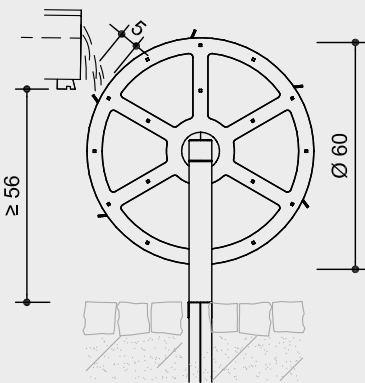


5.28015

Order No. 5.28010 Water Wheel
with flying shovels



Order No. 5.28015 Waterwheel



scale 1:20

Safety check according to EN 1176

Technical information

Order No. 5.28010 Water Wheel
with flying shovels

waterwheel made of glass-bead blasted stainless steel

ball bearing
low-maintenance, easily replaceable ball bearings, sealed



Dimensions
(small deviations possible)

height	0.70 m
width	0.40 m
wheel diameter	0.60 m
weight	20 kg

Order No. 5.28015 Waterwheel

waterwheel made of glass-bead blasted stainless steel

side panels made of impact-resistant, coloured-through, PUR plastic parts, black

ball bearing
low-maintenance, easily replaceable ball bearings, sealed



Dimensions
(small deviations possible)

height	0.70 m
width	0.40 m
wheel diameter	0.60 m
weight	55 kg

Components

1 part each

Installation information

Surfacing requirements
Recommendation: sand with drainage and pavement with gully and corresponding landscaping.

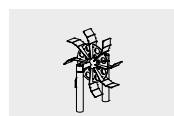
The wheels are made for overshot operation. The required minimum height difference can be seen in the drawing.

All equipment can be easily installed into any artificial watercourse.

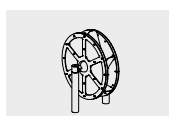
If winter conditions require, the wheels can be disassembled by simply loosening two bolts, leaving only the frame in the "creek bed".

Foundations
1 item each 50 x 80 x 40 cm
excavation depth 60 cm

Attention:
Exact measurements may vary, for all installation dimensions refer to current installation instructions.
Technical changes reserved.



5.28010



5.28015

For more detailed explanation of the quality characteristics see pricelist.

Function and Play value

People and in particular children get a lot of enjoyment out of diverting the flow of water, making it flow faster or slower or damming it. The playing observer is able to experience different impressions from the shapes that form during the process.

Suitable

- for small children's areas of public playgrounds, play areas situated near houses, kindergartens
- for all water play areas



Order No. 5.28040 River Fork



Order No. 5.28031 Bar Gate
Order No. 5.28020 Horizontal Millwheel



Order No. 5.28045 Canal Lock

**Canal Lock
River Fork
Horizontal Millwheel**

Copyright © Richter Spielgeräte GmbH 10/15

Design: F. J. Wagner

Planning information

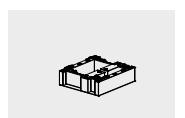
Plan a step of approx. 15 % in front of and behind the Horizontal millwheel; the water should meet the wheel in surges to ensure it turns in a satisfactory way.



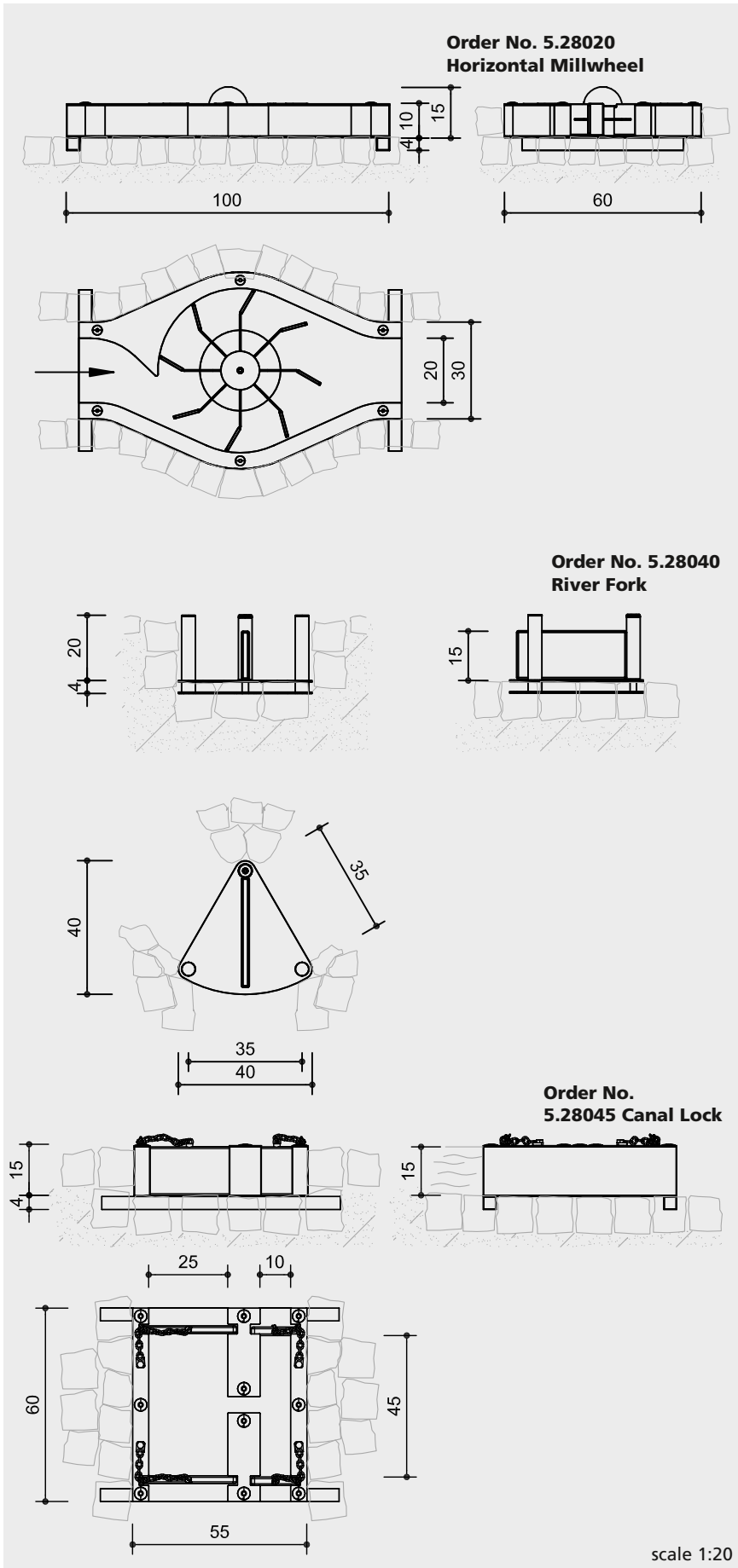
5.28020



5.28040



5.28045



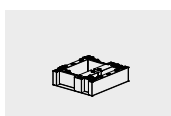
Safety check according to EN 1176



5.28020



5.28040



5.28045

Technical information

**Order No. 5.28020
Horizontal Millwheel**

millwheel made of glass-bead blasted stainless steel

ball bearing

low-maintenance, easily replaceable ball bearings



structure made of glass-bead blasted stainless steel and impact-resistant, coloured-through PUR plastic (body), black, with PUR plastic ends as clamping protection

Dimensions

(small deviations possible)

height	0.15 m
length	1.00 m
width	0.60 m
weight	47 kg

Order No. 5.28040 River Fork

total construction made of glass-bead blasted stainless steel and impact-resistant, coloured-through PUR plastic parts, black

Dimensions

(small deviations possible)

height	0.20 m
width	0.40 m
damming height	0.15 m
weight	11 kg

Order No. 5.28045 Canal Lock

total construction made of glass-bead blasted stainless steel and impact-resistant, coloured-through PUR plastic (body), black; gates made of PUR plastic, black

Dimensions

(small deviations possible)

height	0.15 m
width	0.55 m
damming height	0.15 m
weight	42 kg

Components

1 part each

Installation information

Surfacing requirements
Recommendation: sand with drainage and pavement with gully and corresponding landscaping.

All equipment can be easily installed into any artificial watercourse.

Foundations according to installation situation.

Attention:
Exact measurements may vary, for all installation dimensions refer to current installation instructions.

Technical changes reserved.

For more detailed explanation of the quality characteristics see price list.



Function and Play value

Children particularly enjoy damming water. Opening the bar gate gives them the opportunity to learn about the power of water in a playful way, so they learn how to handle the living force of the element water. They are able to experience how a dam works and can observe how the water builds up.

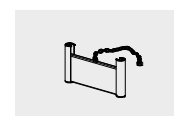
Suitable

- for small children's areas of:
public playgrounds, play areas
situated near houses, kindergartens,
children's homes
- for water play zones in all
spaces for play and experiences

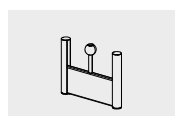


Order No. 5.28030 Board Gate

**Bar Gate
Board Gate**

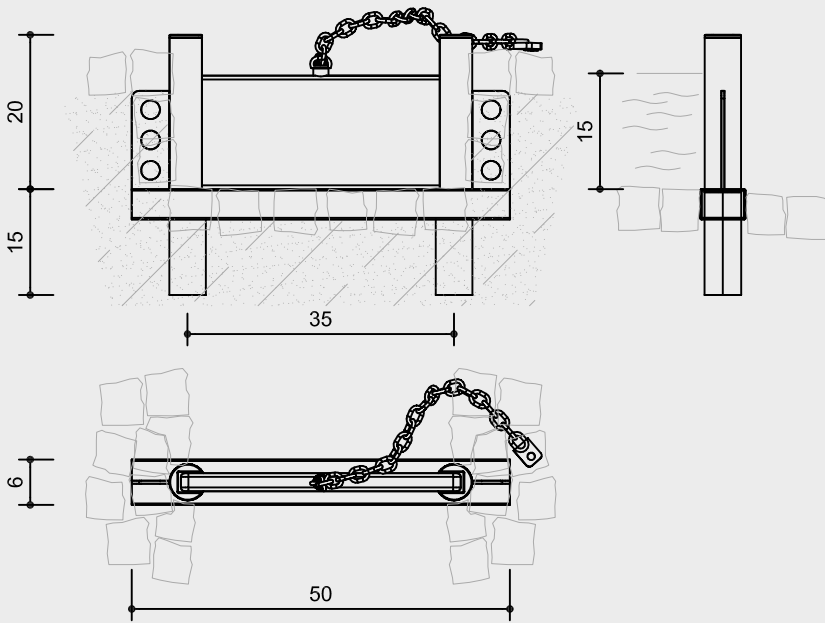


5.28030

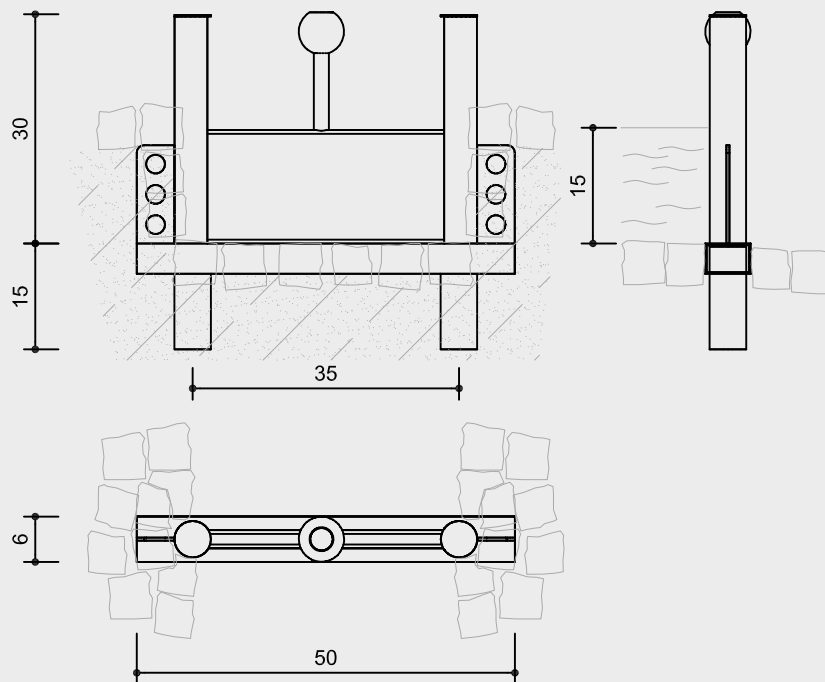


5.28031

Order No. 5.28030 Board Gate



Order No. 5.28031 Bar Gate

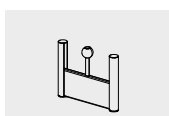


scale 1:10

Safety check according to EN 1176



5.28030



5.28031

Technical information

Order No. 5.28030 Board Gate

all metal parts are made of glass-bead blasted stainless steel

board made of impact-resistant, coloured-through, PUR plastic parts, black

Dimensions

(small deviations possible)

height	0.20 m
width	0.50 m
damming height	0.15 m
weight	7 kg

Order No. 5.28031 Bar Gate

all metal parts are made of glass-bead blasted stainless steel

board and ball head made of impact-resistant, coloured-through PUR plastic parts, black

Dimensions

(small deviations possible)

height	0.30 m
width	0.50 m
damming height	0.15 m
weight	8 kg

Components

1 part each

Installation information

Surfacing requirements
Recommendation: sand with drainage and pavement with gully and corresponding landscaping.

All equipment can be easily installed into any artificial watercourse.

Foundations according to installation situation.

Attention:

Exact measurements may vary, for all installation dimensions refer to current installation instructions.

Technical changes reserved.



Order No. 5.28032 Sickle Gate

Function and Play value

Experience the power of water – this can be achieved particularly well by damming water and then opening the floodgates. It is most fun when natural materials such as mud, leaves and small sticks are used to dam the water. However, this is often not possible or desired. Therefore, complementary elements such as locks or flaps are required.

Suitable

- for small children's areas of public playgrounds, play areas situated near houses, kindergartens, children's homes
- for water play zones in all spaces for play and experiences

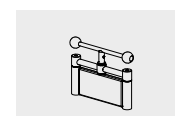


Order No. 5.28035 Rotating Gate

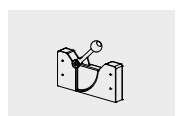
**Rotating Gate
Sickle Gate**



Order No. 5.28032 Sickle Gate

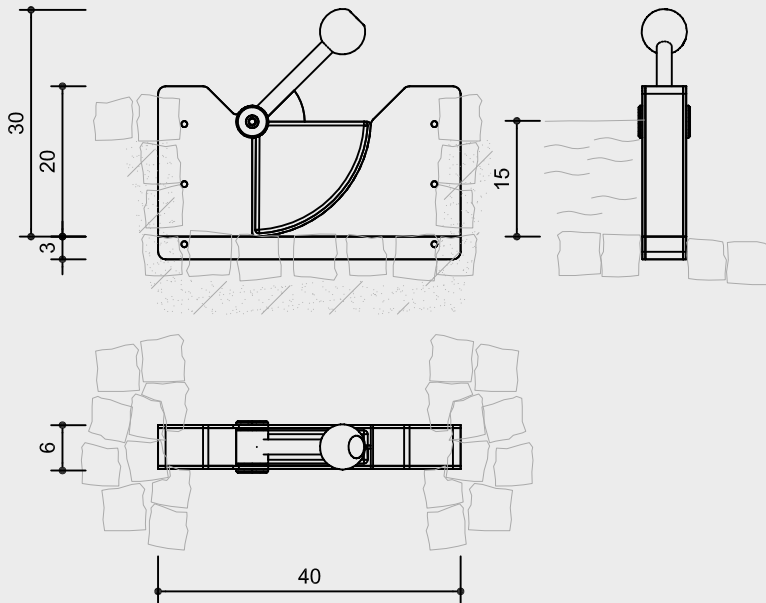


5.28035

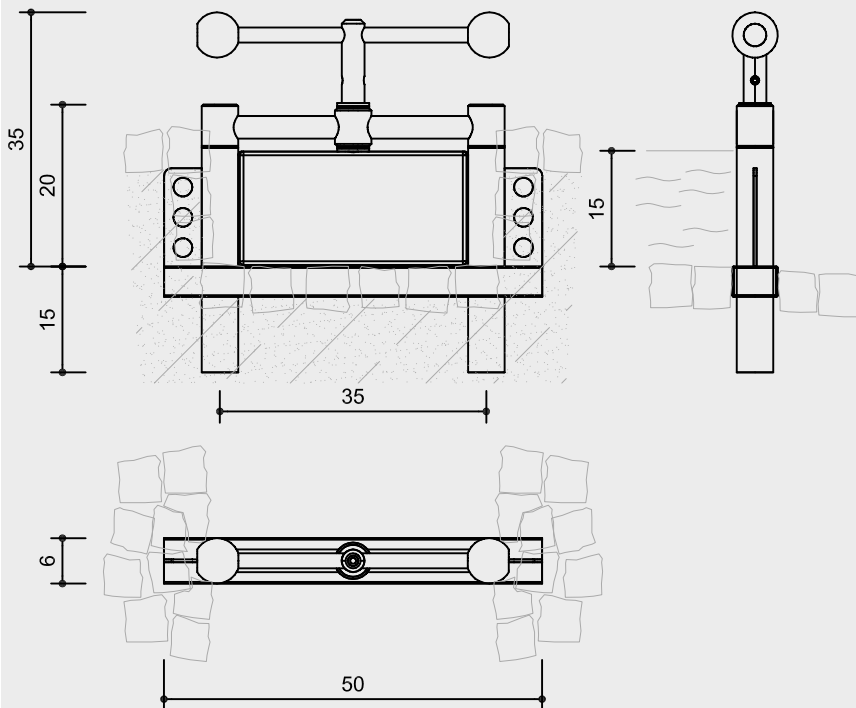


5.28032

Order No. 5.28032 Sickle Gate



Order No. 5.28035 Rotating Gate



Technical information

Order No. 5.28032 Sickle Gate

cover plates made of glass-bead blasted stainless steel

body, gate, ball head and plain bearing made of impact-resistant, coloured-through PUR plastic parts, black

Dimensions

(small deviations possible)

height	0.30 m
width	0.40 m
damming height	0.15 m
weight	10 kg

Material

Order No. 5.28035 Rotating Gate

rotating frame made of glass-bead blasted stainless steel

plain bearings, gates and ball heads made of impact-resistant, coloured-through PUR plastic parts, black

Dimensions

(small deviations possible)

height	0.35 m
width	0.50 m
damming height	0.15 m
weight	9 kg

Components

1 part each

Installation information

Surfacing requirements
Recommendation: sand with drainage and pavement with gully and corresponding landscaping.

All equipment can be easily installed into any artificial watercourse.

Foundations according to installation situation.

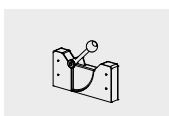
Attention:

Exact measurements may vary, for all installation dimensions refer to current installation instructions.

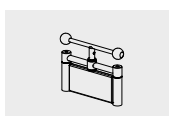
Technical changes reserved.

scale 1:10

Safety check according to EN 1176



5.28032



5.28035



Order No. 5.28032 Sickle Gate / 5.28033 Round Flap

Function and Play value

Children particularly enjoy damming water. Opening the flaps gives them the opportunity to learn about the power of water in a playful way. It is most fun when natural materials such as mud, leaves and small sticks are used to dam the water. However, this is often not possible or desired. Therefore, complementary elements such as locks or flaps are required.

Suitable

- for small children's areas of: public playgrounds, play areas situated near houses, kindergartens, children's homes
- for water play zones in all spaces for play and experiences

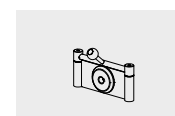


Order No. 5.28034 Rectangular Flap



Order No. 5.28033 Round Flap

**Rectangular Flap
Round Flap**

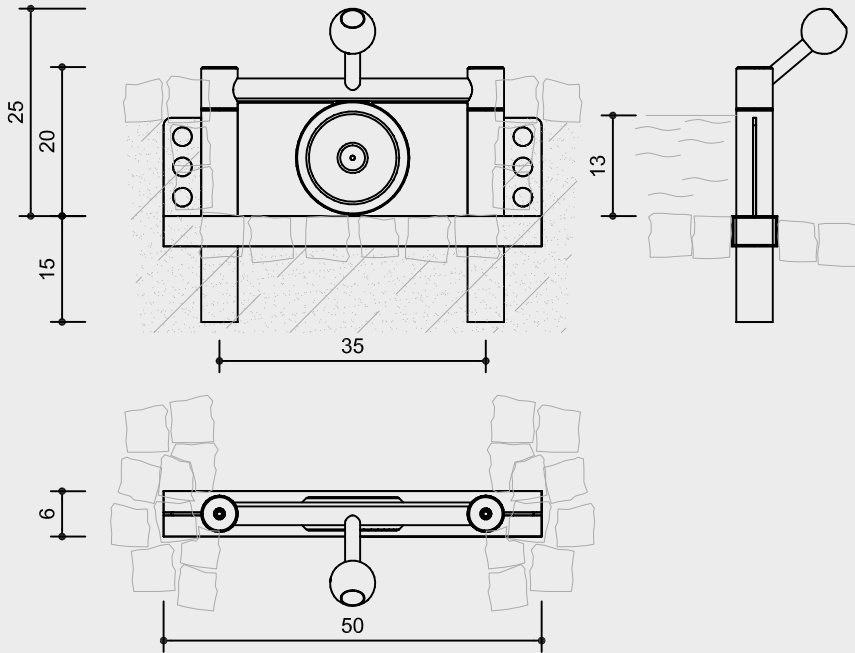


5.28033

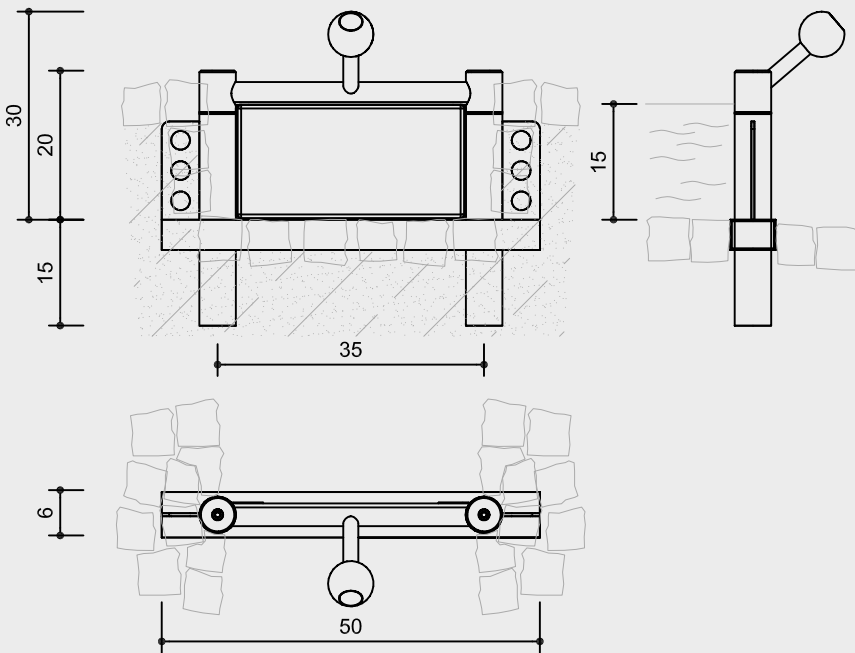


5.28034

Order No. 5.28033
Round Flap



Order No. 5.28034
Rectangular Flap



scale 1:10

Safety check according to EN 1176



5.28033



5.28034

Technical information

Order No. 5.28033 Round Flap

rotating frame made of glass-bead blasted stainless steel

ball bearing

low-maintenance, easily replaceable ball bearings, sealed



flaps and ball heads made of impact-resistant, coloured-through PUR plastic parts, black

Dimensions

(small deviations possible)

height	0.25 m
width	0.50 m
damming height	0.13 m
weight	9 kg

Material

Order No. 5.28034 Rectangular Flap

rotating frame made of glass-bead blasted stainless steel

ball bearing

low-maintenance, easily replaceable ball bearings, sealed



flaps and ball heads made of impact-resistant, coloured-through PUR plastic parts, black

Dimensions

(small deviations possible)

height	0.30 m
width	0.50 m
damming height	0.15 m
weight	9 kg

Components

1 part each

Installation information

Surfacing requirements
Recommendation: sand with drainage and pavement with gully and corresponding landscaping.

All equipment can be easily installed into any artificial watercourse.

Foundations according to installation situation.

Attention:

Exact measurements may vary, for all installation dimensions refer to current installation instructions.

Technical changes reserved.

For more detailed explanation of the quality characteristics see price list.



Order No. 5.41030 Flow Table with pointed end on one side

Function and Play value

It is always easier to understand physical phenomena when one can observe it in real life. The experience is particularly intense when the result can be achieved by doing it one's self. This table, with its adjustable barriers forming obstacles to the flowing water, allows such an experience. Pictures of water currents flowing at different speeds become recognisable, as do whirls, whirlpools and meanders. When sand or gravel is added, one can watch the formation of islands or counter-currents. A special cognitive learning process is then afforded to children to aid their understanding. This is however not absolutely vital for being able to enjoy this instructive game.

Fundamental characteristics

- easy handling
- sturdy construction
- differently shaped flow obstacles made of rubber for experiencing flow phenomena
- incentive for playing: flow obstacles

Suitable

- for children from 5 years
- for water play areas of: playgrounds, leisure parks, big water play installations, outdoor swimming pools

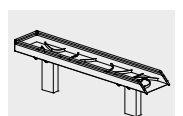
Barrier-free - independent play



Flow Table



This picture shows Order No. 5.41020 with additional inlet flap.

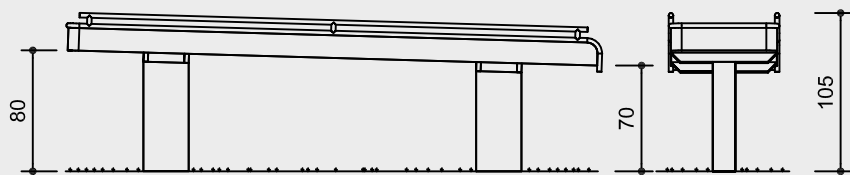


5.41020/5.41030

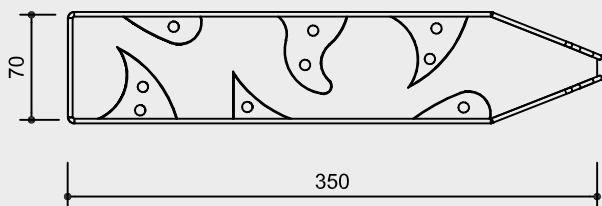
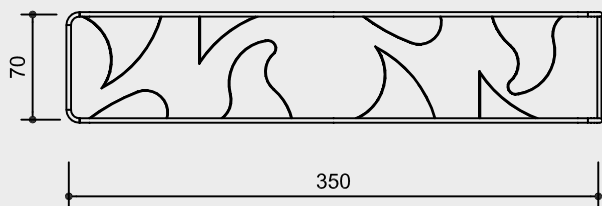
Copyright © Richter Spielgeräte GmbH 10/15

Design G. Beltzig

Order No. 5.41020 Flow Table



Order No. 5.41030 Flow Table
with pointed end on one side



scale 1:50

Technical information

Total equipment made of stainless steel, glass bead blasted

obstacles made of weather-proof solid rubber, fixed to chains, moveable along the railing

Dimensions

(small deviations possible)

height	1.05 m
length	3.50 m
width	0.70 m
weight	160 kg

Planning information

In order to be able to watch the streaming phenomena, a sufficiently high flow of water is necessary; e.g. an inlet flap leading from a pond, an Archimedes Screw with high rim allowing for a high transporting capacity, or directly behind a pump within a water play installation.

Safety check according to EN 1176

Components

Order No. 5.41020 Flow Table

1 Flow Table complete with supporting feet and 8 flow obstacles

Order No. 5.41030 Flow Table

1 Flow Table complete pointed end on one side with supporting feet and 6 flow obstacles

Installation information

Surfacing requirements
no fall height according to standard
We recommend pavement or a similar surface with a runoff for water.

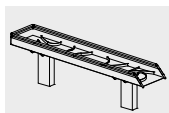
Foundations
2 items 50 x 70 x 50 cm
excavation depth 70 cm

Attention:

Exact measurements may vary, for all installation dimensions refer to current installation instructions.

Technical changes reserved.

For use in chlorine water the equipment is also available with a special steel alloy.



5.41020/5.41030

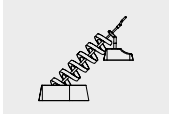
C Sand · Water · Mud

- 1 Working with sand and water
- 2 Pumping and splashing
- 3 Channels · basins · mud tables
- 4 Damming · channelling · propelling
- 5 **Transporting water**
- 6 Being carried by water

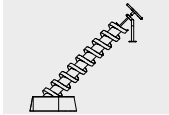
It is easier to understand phenomena if you are able to experience or observe them yourself. This experience is even, more intense if there is the opportunity to make the correlation visible by your own actions. The element water, with its infinite forms of expression, is defined by its flow, vitality and power. And if a playing observer interacts with it, various different sensory impressions are created, determined by shape, sound, temperature and different degrees of power. Our water works allow physical phenomena to be experienced and mechanical principles to be understood with a lasting impact.

C 5 Transporting water

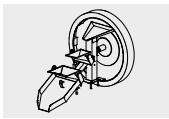
Order No.
Item page



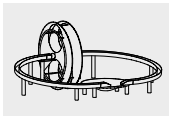
5.20500 287 - 290
Archimedes Screw



5.20800 287 - 290
Archimedes Screw
project-based



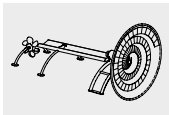
5.20850 291
Rotating Conveyor
with Tipper Trays



5.42010 293
Water Scoop



5.20880 293
Scooping Wheel



5.42050 295
Nautilus Snail



Function and Play value

A floating water supply often is the central feature of water play. A great way of moving water from a lower to a higher level is the Archimedes Screw, the old principle of water screws. Its turning draws water from the lower basin as it travels upwards with the movement of the spiral and pours it into the upper basin. This physical process is precisely observed and used with great pleasure as a means of transporting water. The open spiral makes the procedure visible and it is even possible to use it for transporting solid materials e.g. gravel.

Barrier-free - independent play



Planning Information

We recommend planning by us.



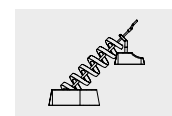
Fundamental characteristics

- high-quality design
- surprising old principle
- encourages co-operation and communication
- incentive for playing: appealing design, curiosity
- movement: physical effort, turning

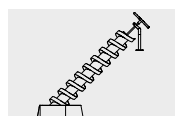
Suitable

- for children from 6 years and adults
- water and adventure areas of: playgrounds, leisure parks, big water play installations, outdoor swimming pools

Archimedes Screws
with different drive mechanisms



5.20500

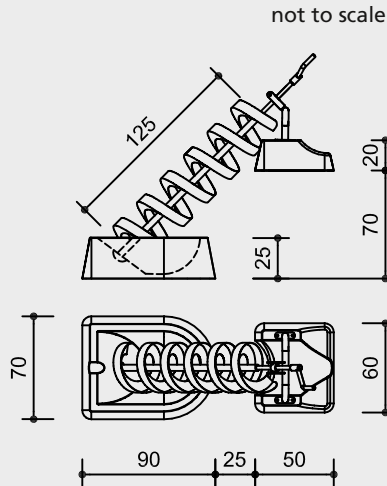


5.20800

Order No. 5.20500

Archimedes Screw

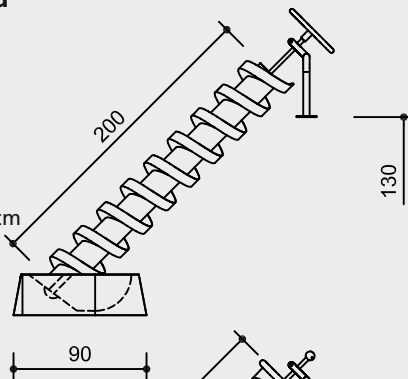
open, stainless steel
concrete basin at the bottom
open screw, rim height 7 cm
length 1.25 m
drive mechanism with crank
fixing with support bow
run-out at the top into concrete basin



Order No. 5.20800, project customized
Archimedes Screw open, stainless steel
Examples with 45° inclination

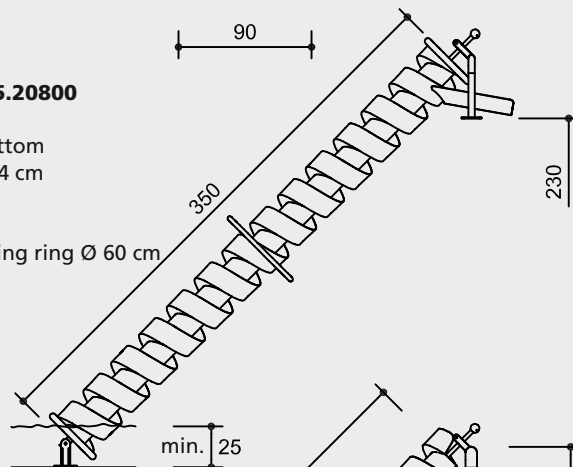
Example 1, Order No. 5.20800

concrete basin at the bottom
open screw, rim height 7 cm
length 2.00 m
drive mechanism with hand wheel, Ø 40 cm
fixing at the top with high support bow
on channel or similar built on site



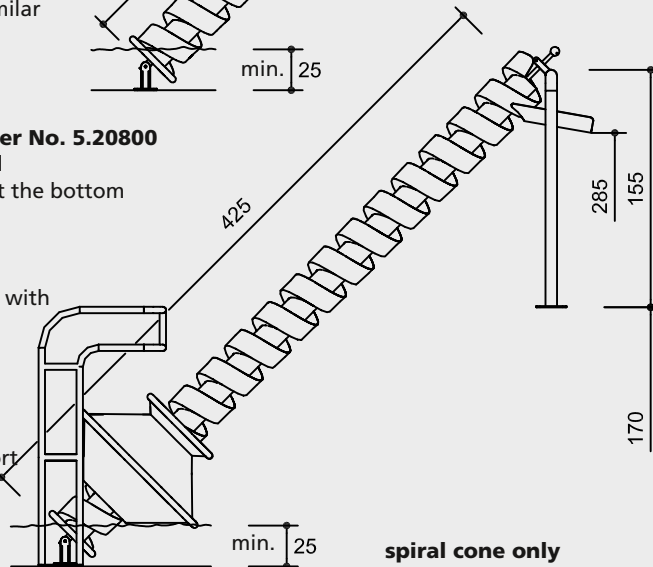
Example 2, Order No. 5.20800

fixing flange and
protecting disc at the bottom
open screw, rim height 14 cm
length 3.50 m
with strong axle
drive mechanism w. turning ring Ø 60 cm
return stop
fixing at the top
with high support bow
and run-out basin
on channel or similar
built on site



Example 3, Order No. 5.20800

fixing flange and
protecting disc at the bottom
open screw
length 4.25 m
with strong axle
drive mechanism with
spiral cone
incl. return stop
and frame
fixing at the top
with high
reinforced support
bow and
run-out basin
on channel
or similar
built on site



**spiral cone only
with 45° inclination**

Technical information

All Archimedes Screws are provided with self-lubricating bearings.

Order No. 5.20500 Archimedes Screw open, stainless steel, glass bead blasted, s. sketch

Order No. 5.20800 Archimedes Screw open, stainless steel, glass bead blasted, s. examples
open screw with two rim heights:
7 cm for conveying approx. 0.3 l/rotation
14 cm for conveying approx. 1.5 l/rotation

Dimensions
(small deviations possible)
see examples

Optimum conveyance is achieved at 45° inclination.

The Archimedes Screws have been designed as a modular system – suitable bearings, drive mechanisms and fixing elements can be combined as desired.

lower bearing - concrete basin
- fixing flange
with protecting disc

drive - crank mechanism
- hand wheel
Ø 40/Ø 60 cm
- turning ring, in any axial position
Ø 60 cm
- spiral cone, in any axial position

top fixing - bow with concrete basin
- high support bow with/without run-out basin
- high reinforced support bow
tube diameter 60.3 mm
variable height up to 1 m
- high reinforced support bow
tube diameter 76 mm
variable height from 1 to 2 m
- support bow for round water basins
5.24200/5.24400

Weight and included components depending on equipment type.

Installation information

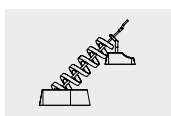
Surfacing requirements
no fall height according to standard
Recommendation: sand with drainage or pavement with gully and corresponding landscaping.

Water supply as well as reservoir and collecting basin, if applicable, to be provided on site (by customer).

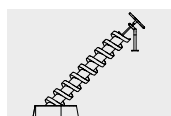
Foundation – depending on type

Attention:
Exact measurements may vary, for all installation dimensions refer to current assembly instructions.
Technical changes reserved.
For use in chlorine water, the open screws are also available with a special steel alloy.

Safety check according to EN 1176



5.20500



5.20800

Design

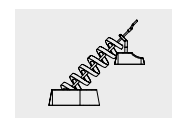
We have developed different screws and drive mechanisms in order to enlarge the scope of use for the designer. The open screw with high or low rim can surmount large differences in height and demonstrates in an impressive way the physical effect of the Archimedean principle. The use of various drive mechanisms such as crank, turning ring and hand wheel is closely linked to the length of the spiral and the required effort for turning it.



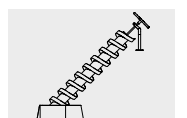
Archimedes Screws
with different drive mechanisms

Copyright © Richter Spielgeräte GmbH 10/15

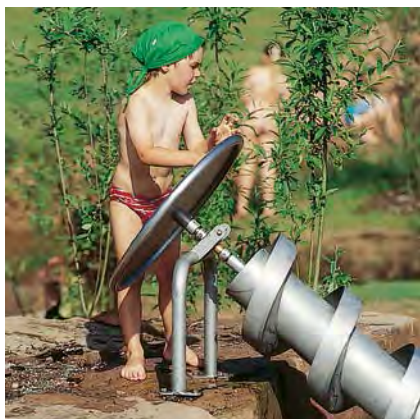
Design G. Beltzig



5.20500

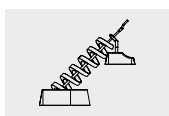


5.20800

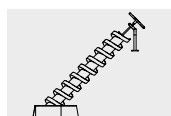


David and Goliath

You have to use all your physical strength to be able to transport water from a low level to a much higher one using the spiral cone. The running drum can be positioned at different heights; at the bottom to "screw" water upwards or at the top to convey water from the bottom to the top. This special Archimedes Screw therefore has a similar effect to "David versus Goliath": David's strength is concealed; the screw reaches far down into a well while Goliath impressively displays his entire strength.



5.20500



5.20800

Function and Play value

Water play facilities which are not installed in natural surroundings using the typical design elements, become interesting by other special features. The Rotating Conveyor with its technical appearance scoops water, pours the water in differently shaped containers which get filled one after the other, like a cascade, and finally lets the water flow down. Water can be experienced in a lively, steadily changing form. The Tipper Trays can also be combined with other water scooping elements.



Fundamental characteristics

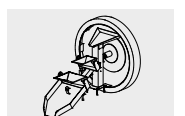
- unique and original
- high-quality metal construction
- exclusive design
- incentive for playing: large wheel
- movement: physical effort

Suitable

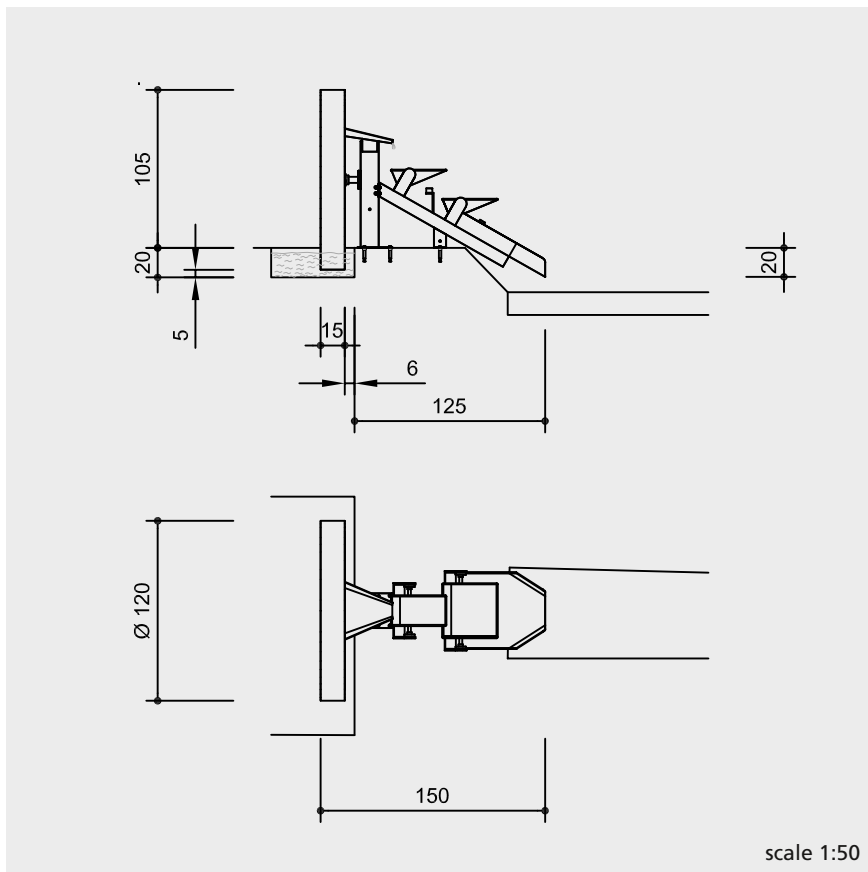
- for children from 4 years
- for public play areas
- parks
- leisure parks
- outdoor swimming pools

Barrier-free - independent play

Rotating Conveyor with Tipper Trays



5.20850



Technical information

Total equipment made of stainless steel, glass bead blasted

ball bearing

all rotating parts with low-maintenance, easily replaceable ball bearings



Dimensions

(small deviations possible)

length	1.50 m
diameter	1.20 m
weight	130 kg

Safety check according to EN 1176

Components

- 1 Rotating Conveyor with run out
- 1 gutter element with 2 Tipper Trays

Installation information

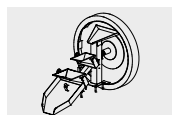
Surfacing requirements
no fall height according to standard

- Water depth: for a proper function a min. water depth of 16 cm is required.
- Water supply and water basin have to be provided for on site.

Foundations
Support posts with flanges for fixation with screws.

Attention:
Exact measurements may vary, for all installation dimensions refer to current installation instructions.
Technical changes reserved.
For use in chlorine water the equipment is also available with a special steel alloy.

For more detailed explanation of the quality characteristics see price list.



5.20850

Function and Play value

This equipment is a nicely shaped water scoop where children can play and observe the flowing characteristics of water. When the wheel is turned around, water is drawn from the basin. The water then pours into the channels on both sides. It is directed by the channels into the flow dish and is redirected from there into the basin through a water outlet pipe. The water quantity coming into the channels varies with relation to the rotating speed of the wheel. The water can, for example, flow from both sides into the dish so that a constantly changing flow configuration results.



Fundamental characteristics

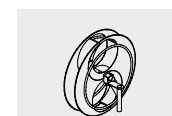
- special technical solution for water intake and distribution
- awarded design
- through water flow from both sides, special flow configurations can be observed
- the Scooping Wheel can also be combined with other water play systems
- unique and original
- incentive for playing: big wheel

**Scooping Wheel
Water Scoop**

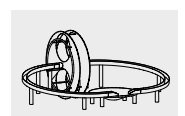
Suitable

- for children from 5 years
- for water play areas of:
playgrounds
leisure areas
big water play installations

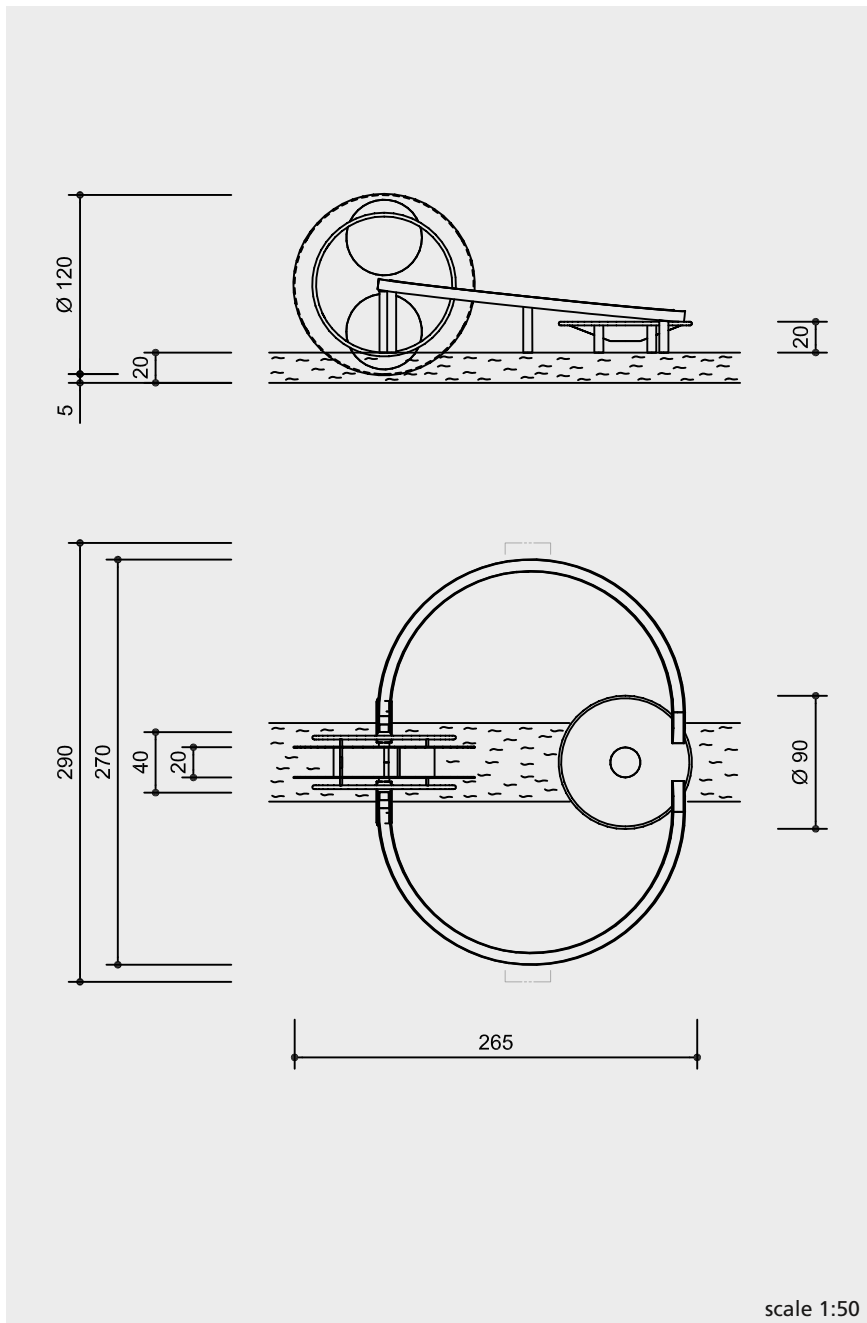
Barrier-free - independent play



5.20880



5.42010



Technical information

Total equipment of stainless steel, glass bead blasted

easy drive in maintenance free plastic bearings

grip-friendly rim

Dimensions

(small deviations possible)

Water Scoop

height	1.20 m
length	2.65 m
width	2.70 m
weight	130 kg

Scooping Wheel

diameter	1.20 m
weight	70 kg

Flow Dish

diameter	0.90 m
height	0.20 m

Safety check according to EN 1176

Components

Order No. 5.42010 Water Scoop

- 1 Scooping Wheel with bearings and alternating water runoff
- 2 water channels
- 1 flow dish

Order No. 5.20880 Scooping Wheel

- 1 Scooping Wheel with bearings and alternating water runoff
- 1 rack

Installation information

Surfacing requirements
no fall height according to standard
Recommendation: pavement or a similar surface with a runoff for water

- Water depth: for a proper function a min. water depth of 20 cm is required.
- Water supply and water basin have to be provided for on site.

Foundations

Order No. 5.20880 Scooping Wheel

- 2 items 50 x 30 x 40 cm

Channels

- 6 items 30 x 30 x 40 cm

Flow Dish

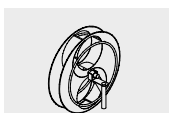
- 2 items 65 x 30 x 40 cm
- excavation depth each 60 cm

Attention:

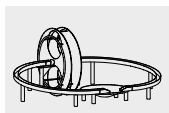
Exact measurements may vary, for all installation dimensions refer to current installation instructions.

Technical changes reserved.

For use in chlorine water the equipment is also available with a special steel alloy.



5.20880



5.42010

Function and Play value

It was not Captain Nemo's submarine, but the spiral-shaped snail-shell of nautilus pompilius, a cephalopod, similar to an ammonite, which inspired the designer to this special way of conveying water. When the big disc is turned, the conveyor snail starts taking in water and let it run off through the central hub. The maximum conveying height corresponds to the radius of the wheel. The Nautilus Snail is a very attractive water supply for water play systems and demands physical effort.



Fundamental characteristics

- high-quality design
- space-saving type of conveyor screw
- incentive for playing: big wheel
- movement: physical effort

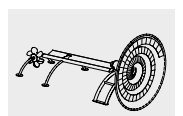
Suitable

- for children from 5 years
- for leisure areas
- big water play installations
- outdoor swimming pools

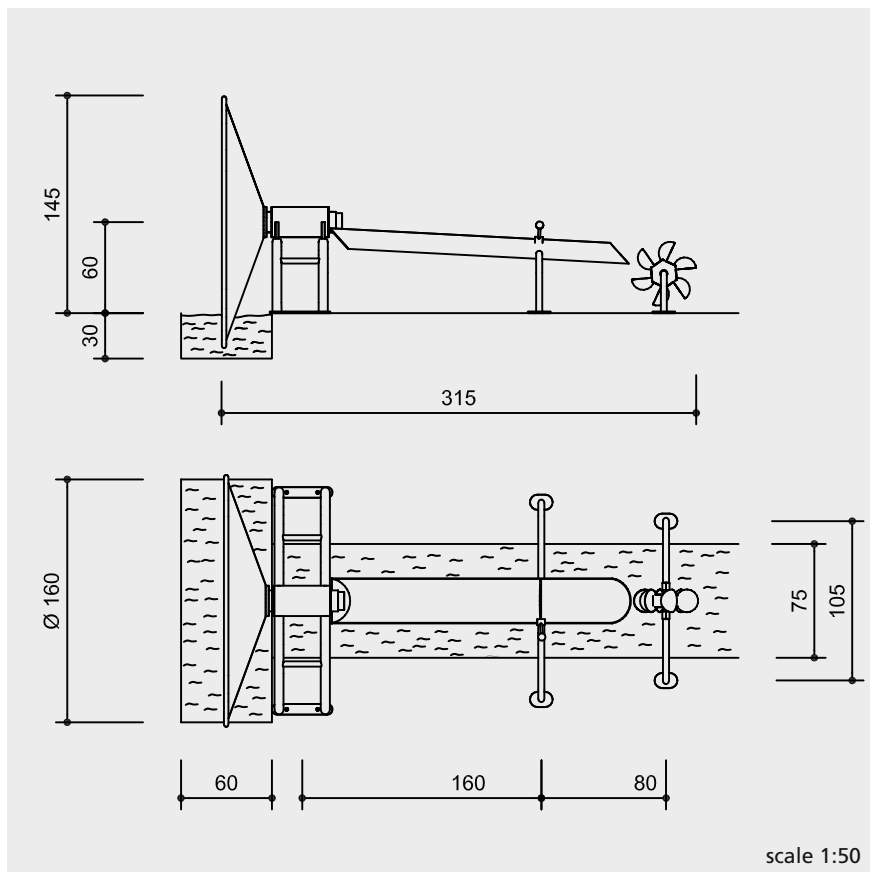
Nautilus Snail
with Impulse Gutter and Scooping Wheel

Copyright © Richter Spielgeräte GmbH 10/15

Design M. Rohrbach/I.O. Gaier



5.42050



Safety check according to EN 1176

Components

- 1 Nautilus Snail
- 1 Impulse Gutter
- 1 Small Scooping Wheel

Installation information

Surfacing requirements
no fall height according to standard

For a proper function a water depth of at least 30 cm is required. In order to make sure that the Nautilus Snail conveys enough water, it should go approx. 20 cm deep into the water.

Water supply, scooping and collecting basin need to be provided for by customer.

Foundations
depending on overall installation

Attention:

Exact measurements may vary, for all installation dimensions refer to current installation instructions.

Technical changes reserved.

For use in chlorine water the equipment is also available with a special steel alloy.

Technical information

Total equipment of stainless steel, glass bead blasted

ball bearing

all rotating parts with low-maintenance, easily replaceable ball bearings



Impulse gutter made of stainless steel metal sheet, thickness 2 mm, with grip-friendly rim

locking element of rubber

Small Scooping Wheel

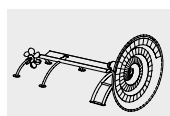
Order No. 5.15910 see separate catalogue sheet;

Dimensions

(small deviations possible)

height	1.45 m
length	3.15 m
diameter	1.60 m
weight	175 kg

For more detailed explanation of the quality characteristics see price list.



5.42050

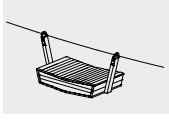
C Sand · Water · Mud

- 1 Working with sand and water
- 2 Pumping and splashing
- 3 Channels · basins · mud tables
- 4 Damming · channelling · propelling
- 5 Transporting water
- 6 Being carried by water

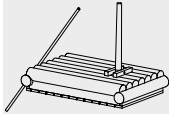
Children like to move about on equipment they can propel using their own power. It's double the fun if they can do it on water. The slight risk of falling in heightens the children's enjoyment of the experience; physical effort and skill are constantly required. While on the water, coordination is developed through their experience of playing with weight, balance and their own strength. While playing, they unconsciously gather experiences about the behaviour of water, weight, balance as well as their own capabilities, all of which train physical coordination.

C 6 Being carried by water

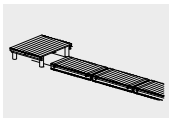
Order No.
Item page



5.44000 297
Rope Ferry



5.45000 299
Raft



5.46000 301
Water Path



Function and Play value

Children like to travel on equipment that is propelled using their own power. If this can be achieved on water, then the fun is doubled. The age old principle of the rope ferry is the inspiration behind our swimming bridge for small lakes in parks, leisure areas and on playgrounds. A rope anchored on both sides connects the two facing banks. The ferry is securely pulled from one side to the other on this rope. A foam-filled hollow form ensures its „seaworthiness“. The incorporated concrete counterweight prevents tipping of the boat body. The rope ferry is often integrated into role play, however it is also a fascinating means of transport with which one can only travel back and forth again and again.

Fundamental characteristics

- unsinkable
- due to the concrete counterweight it gets always back in its original position
- wooden surface is pleasant also for bare feet
- soft impact at the banks
- incentive for playing: rope from one bank to the other, means of transport
- movement: physical effort, balancing

Suitable

- for children from 5 years
- for leisure parks
outdoor swimming pools



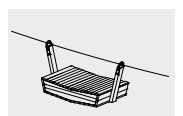
Shock Absorber Order No. 0.93471 on request

Rope Ferry

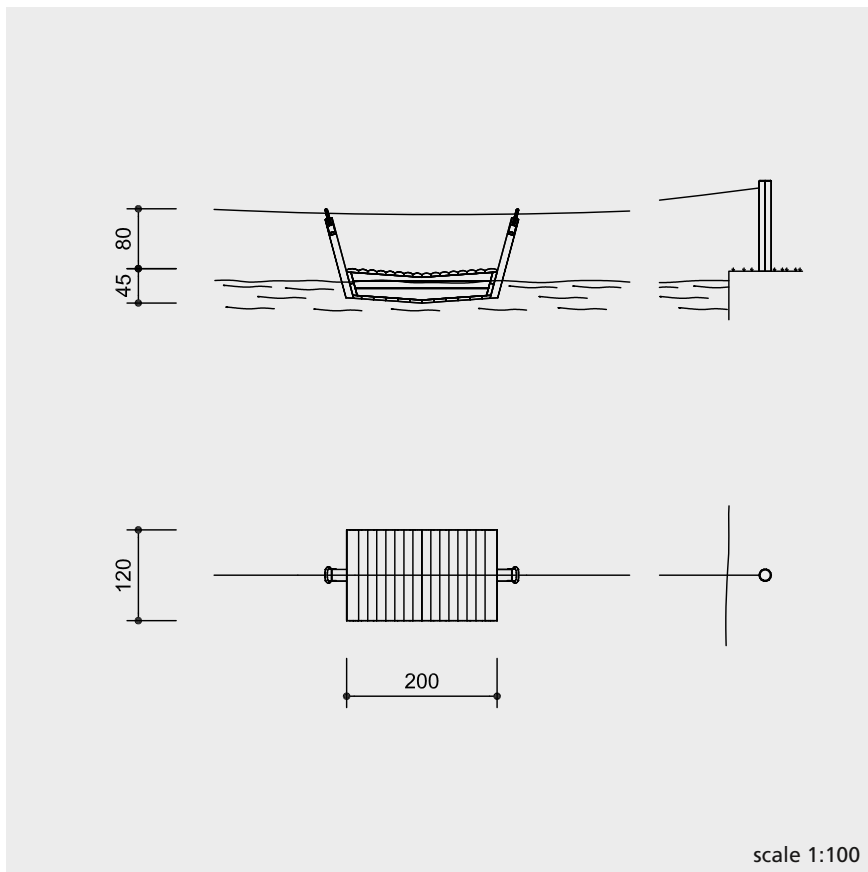


Copyright © Richter Spielgeräte GmbH 10/15

Design G. Beltzig



5.44000



Safety check according to EN 1176

Components

- 1 raft complete
- 1 rope, length 18.00 m with one support post per side
- Other lengths available on request.

Installation information

Surfacing requirements corresponding to a fall height of ≤ 0.60 m
 A water depth of at least 40 cm is necessary for operation, we recommend 60 cm. Use only in fenced and supervised areas, not for pool areas.

Space requirement and foundations depend on local conditions.

Foundations for support posts
 2 items 60 x 60 x 60 cm
 excavation depth 80 cm

Attention:
Exact measurements may vary, for all installation dimensions refer to current installation instructions.
 Technical changes reserved.

Technical information

equipment of non-impregnated mountain larch

de-barked posts
 support posts of robinia, de-barked, \varnothing 15 - 18 cm



core-free timber
 sawn timbers core-free, by that formation of cracks can be reduced



claddings
 thickness 4 - 5 cm, de-barked by hand



Corocord® rope
special ropes of "Hercules type "
 guide rope of 19 mm Corocord® rope of the special "Hercules type", abrasion protected through heating of the six steel strands and melting the polyamide sleeve onto them, standard colour red



aluminium swages
 double-conical aluminium swages with rounded-off ends



rope connection fixed
 close fitting connection without dangerous openings



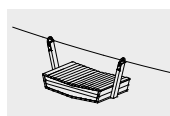
Rope guides made of stainless steel

floating body of closed-pore foam, concrete plate as counterweight

Dimensions
 (small deviations possible)

pedestal size	2.00 m x 1.20 m
weight	400 kg

For more detailed explanation of the quality characteristics see price list.



5.44000



Version with prolonged masts

Function and Play value

The raft is an associative play equipment which is connected with adventure, e.g. Huckleberry Finn, raftsmen, shipwreck and much more. Children love to move across water with the help of the punting pole. They enjoy the small risk of falling in. Furthermore, it is great fun to experience one's own force and skills. The floating body of the raft is, just as in the case of the cable ferry, a foamed hollow form and assures safe floating. On the raft, there is a mast-type pole to hold on which can also be used in „emergencies“ to set a shirt as sail. This watercraft is propelled and steered with the help of a long punting pole.

Fundamental characteristics

- real wooden raft made of half-round trunks
- unsinkable floating body
- stability by a concrete counter-weight
- wooden surface is pleasant also for bare feet
- incentive for playing: travelling on water
- movement: physical effort, balancing

Suitable

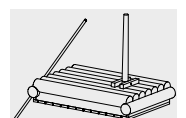
- for children from 5 years
- for supervised leisure areas outdoor swimming pools



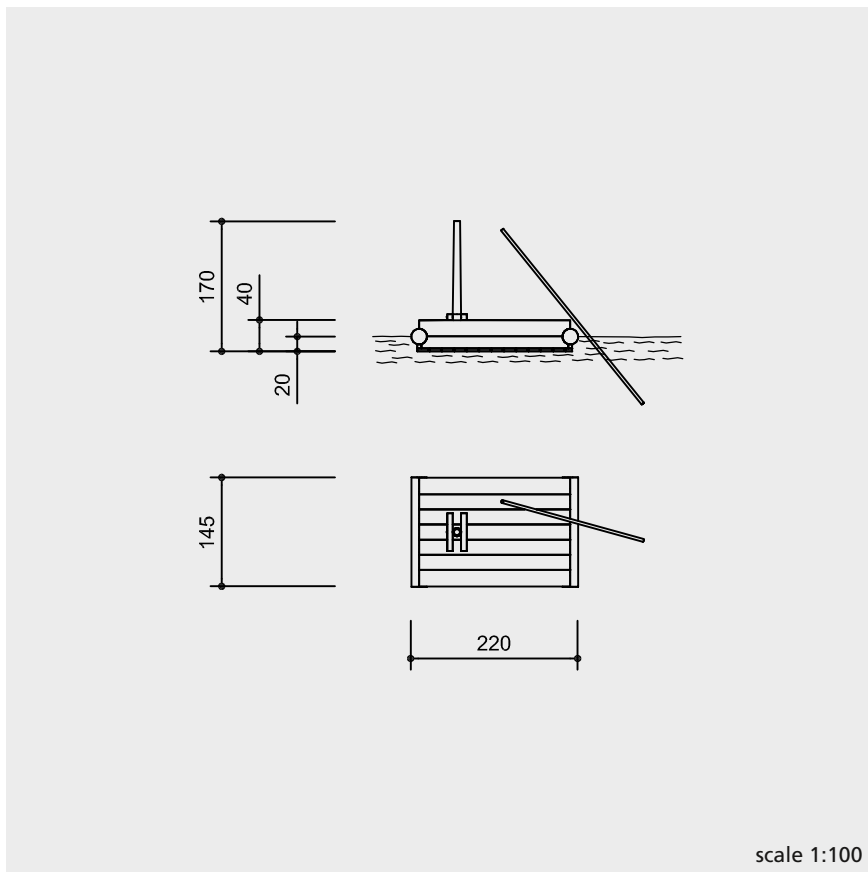
Raft



Version with prolonged masts



5.45000



scale 1:100

Safety check according to EN 1176

Components

- 1 raft
- 1 punting pole

Installation information

Surfacing requirements corresponding to a fall height of ≤ 0.60 m
 A water depth of at least 40 cm is necessary for operation, we recommend 60 cm. Use only in fenced and supervised areas, not for pool areas.

Attention:
Exact measurements may vary, for all installation dimensions refer to current installation instructions.
 Technical changes reserved.

Technical information

Equipment of non-impregnated mountain larcha

de-barked trunks
 overlay of de-barked trunks, $\varnothing 23$ cm



core-free timber
 sawn timbers core-free, by that formation of cracks can be reduced



floating body of closed-pore foam, concrete plates as counterweight

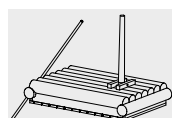
fixing rope of polyamide, $\varnothing 22$ mm

Dimensions

(small deviations possible)

height	1.70 m
height of mast	1.30 m
length	2.20 m
width	1.45 m
weight	500 kg

For more detailed explanation of the quality characteristics see price list.



5.45000

Function and Play value

You can cross over from one bank to the other without getting wet feet when walking on the Water Path and keeping right in the middle. However, it is much more fun to have a wet crossing, wobbling and bobbing up and down, rocking and tottering, and all this without any risk of „capsizing“ completely. It's only a slightly wet passage. The individual floating bodies are threaded on to steel cables on both sides and the access is defined by the design of the bank area. The length of the Water Path is dependent on the planning.



© Richter Spielgeräte GmbH 10/15

Design and Copyright

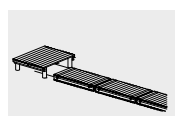
Fundamental characteristics

- unsinkable floating body
- threading keeps the floating bodies within a defined area
- the floating bodies influence each other what makes the passage even more interesting
- wooden surface is pleasant also for bare feet
- incentive for playing: „daring“ passage
- movement: balancing

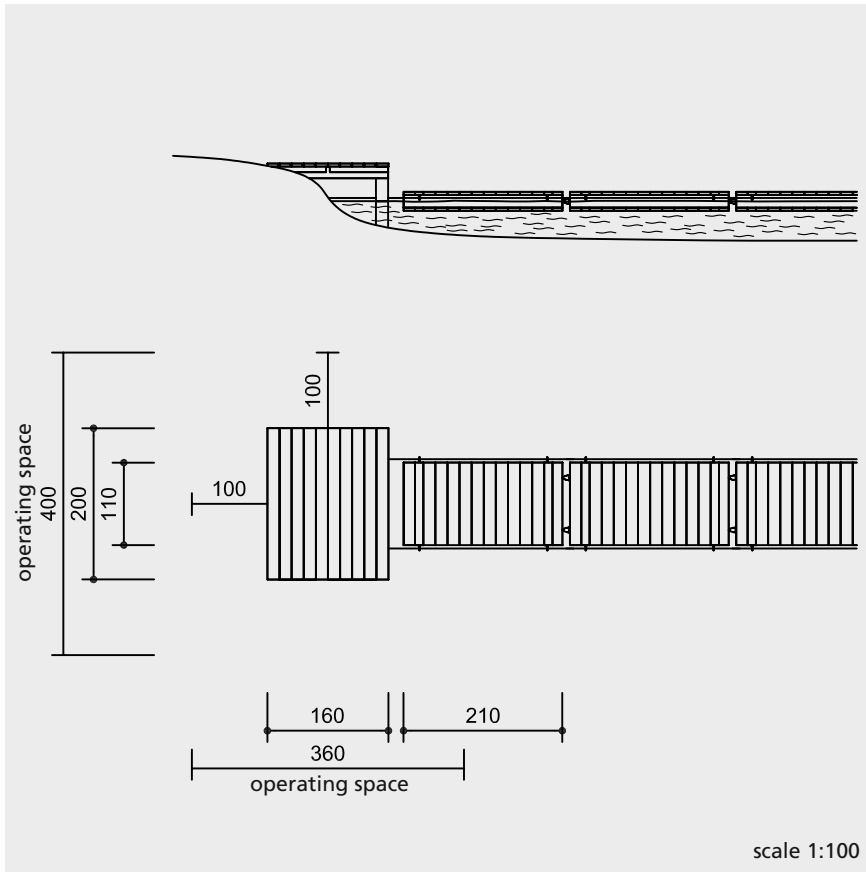
Suitable

- for children from 5 years
- for parks
leisure areas
outdoor swimming pools

Water Path



5.46000



Safety check according to EN 1176

Components

- quantity of floating bodies dependent on local situation
- 2 stainless steel cables with anchor chains and turnbuckles
- 2 bank pedestals, depending on local situation and length with lateral fixations

Installation information

Surfacing requirements corresponding to a fall height of ≤ 0.60 m
A water depth of at least 40 cm is necessary for operation.

Foundations depend on individual project

Attention:

Exact measurements may vary, for all installation dimensions refer to current installation instructions.

Technical changes reserved.

Bank pedestal also available with steel feet.

Technical information

de-barked posts

support posts of bank pedestals from de-barked robinia, \varnothing 15 - 18 cm



core-free timber

sawn-timbers of non-impregnated mountain larch, by that formation of cracks can be reduced



tongue and groove

floating bodies and pedestal surfaces of 40 mm tongue and groove boarding



floating bodies filled with closed-pore foam

steel cable and cable guides of stainless steel

Dimensions

(small deviations possible)

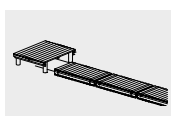
Floating bodies

height	0.25 m
length	2.10 m
width	1.10 m
weight	300 kg

Bank pedestals

height	0.50 m
size	2.00 x 1.60 m
weight	200 kg

For more detailed explanation of the quality characteristics see price list.



5.46000

D Movement

- 1 Cableways
- 2 Turning
- 3 Swinging · swaying · rocking
- 4 Jumping · see-sawing · wobbling
- 5 Balancing
- 6 Sliding
- 7 Climbing
- 8 Free-standing bridges

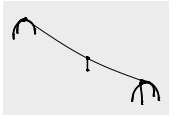


D 1 Cableways

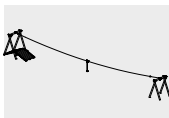
Order No.
Item page



6.01100/6.02100 303
Large Gated Cableway



6.01110/6.02110 305
Grand Arch Cableway



6.01050 307
Cableway with Ramp

Play value

The Cableway is a mobile piece of equipment which is enjoyed by many age groups. The feeling of speed, riding and whizzing from one station to the other affords great pleasure for younger and older children alike. Depending on age and experience, it is also possible for two to ride together at the same time. The way the cable is suspended between the two ends enables acceleration without the need for a run-up or pushing, and the shape of the gate enables riding to the end. In this equipment, the inclination of the cable slows down the ride. The agreeably designed wooden stations are an eye-catcher with high attraction.



Fundamental characteristics

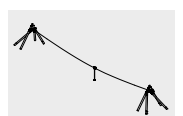
- the special construction of the valley station enables riding to the end
- quiet travelling
- easy tensioning adjustment of the cable by one person
- attractive, sturdy wooden construction
- incentive for playing: wooden stations, long cable
- movement: holding on to, being carried, riding

Suitable

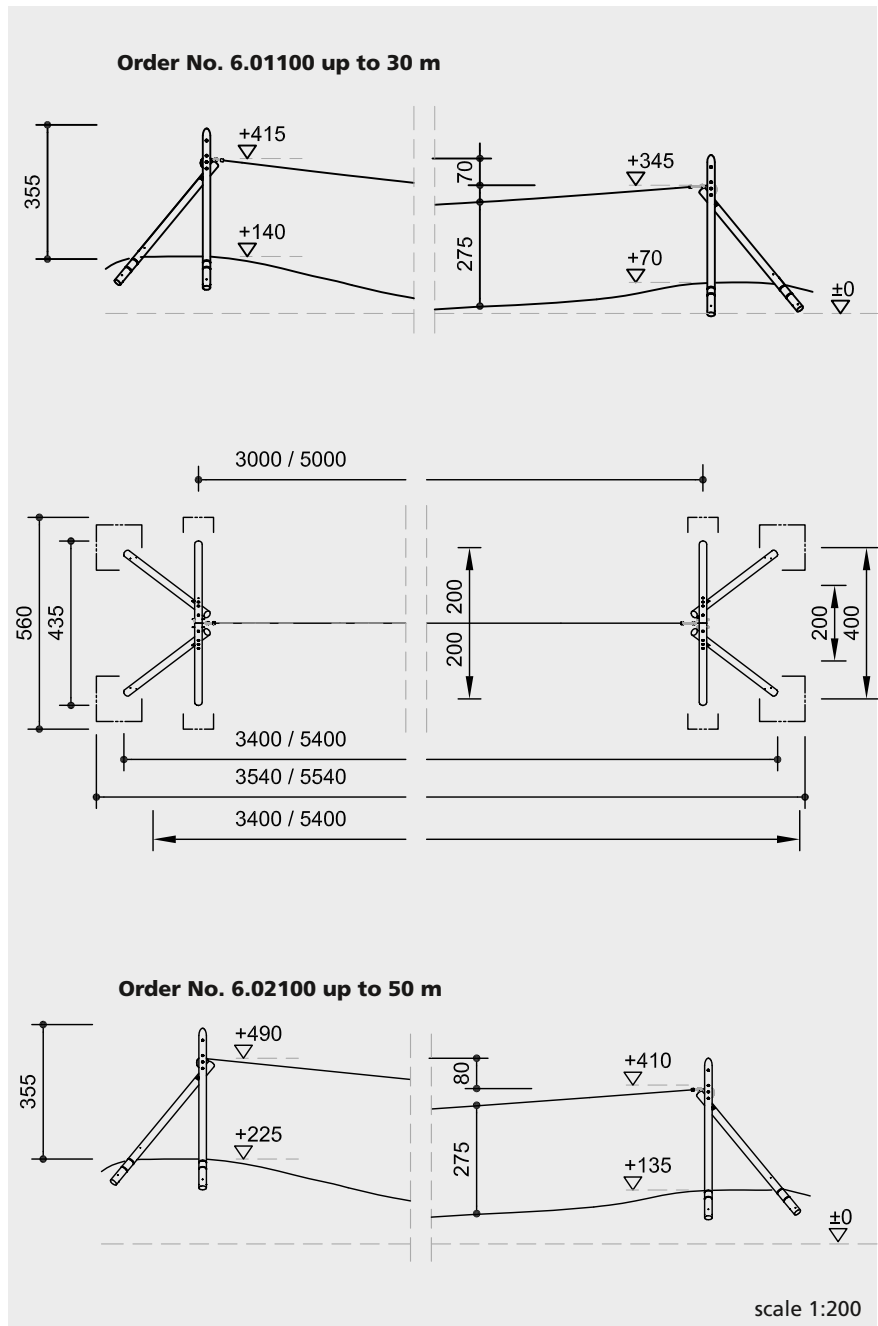
- for children from 4 years
- for public playgrounds
- children's institutions
- leisure areas
- outdoor swimming pools
- parks

Large Gated Cableway

- up to 30 m
- up to 50 m



6.01100/6.02100



Safety check according to EN 1176

Components

- 1 mountain station
- 1 valley station
- 1 carrying cable with 2 stopper gear sets
- 1 travelling crab with pendulum seat
- 1 tube for tensioning

Installation information

Surfacing requirements corresponding to a fall height of ≤ 1.00 m (please refer to price list for more detailed information)

Foundations
 4 items 120 x 120 x 50 cm excavation depth 70 cm
 4 items 80 x 80 x 50 cm excavation depth 70 cm

Attention:
 Exact measurements may vary, for all installation dimensions refer to current installation instructions.
 Technical changes reserved.
 Equipment also available with steel feet or made of larch with steel feet.



6.01100/6.02100

Technical information

de-barked posts

de-barked posts, Ø 15 - 18 cm, of spruce/fir, boiler pressure impregnated according to DIN 68800-3, use class 4



perforated

the earth/air zone of the wood is perforated by small bore holes to ensure that the impregnating agent penetrates this particularly endangered zone



pendulum seat

with large rubber surface, with a soft, protecting edge and steel insert



universal joint

suspension of pendulum seat with hose-sleeved chain on drop-forged and hot-dip galvanised joint yoke; the universal joint insert consists of two swing bearings



strong fastening

bolt connections with milled metal rings for connections which are stressed cross-wise



brass bush

for all to and fro movements we use bush bearings which allow for self-lubrication while in use and which can be easily exchanged in case of need



Large Gated Cableway

the valley station surrounds the safety space with its construction. This shape enables riding to the end; the incline of the cable slows down the ride completely without the need for a hard stop



tensioning device

the cable goes over a winch in a big radius. Thus the tensioning adjustment can easily be done by one person



travelling crab

our travelling crab is made in a „sandwich“ construction. Due to its isolated mechanism, sound proof working is ensured. The travelling crab can be installed without dismantling the cable



special lifting cable

for our Cableways we use a special lifting cable made of pure steel, impregnated, length-stable, irrotational and bending stress resistant



chains

suspended on hose-sleeved, short-link chains, 6 mm, welded before hot-dip galvanisation (stainless steel chains available on request)



Dimensions

(small deviations possible)

height	3.55 m
length	34.00/54.00 m
width	4.35 m
cable height	2.75 m
cable length	32.00/52.00 m
weight	720 kg

For more detailed explanation of the quality characteristics see price list.

Play value

The well-designed metal gates of the Grand Arch Cableway are an eye-catcher with high attraction. The silver-grey posts can be lacquered if required. The feeling of speed, riding and whizzing from one station to the other affords great pleasure for younger and older children alike. The way the cable is suspended enables acceleration without the need for a run-up or pushing, and the shape of the gate enables riding to the end. The incline of the cable slows down the ride.

Fundamental characteristics

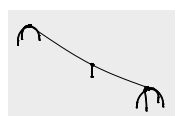
- exclusive design
- durable metal construction
- the special construction of the valley station enables riding to the end
- easy tensioning adjustment of the cable by one person
- incentive for playing: large metal construction, long cable
- movement: holding on to, being carried, riding



Grand Arch Cableway
up to 30 m
up to 50 m

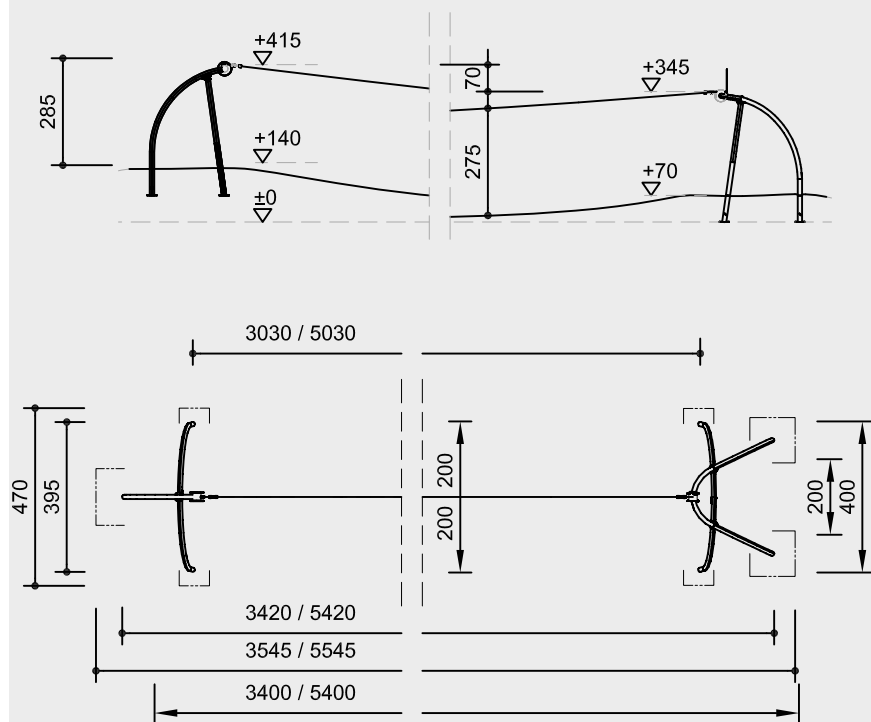
Suitable

- for children from 4 years
- for public playgrounds
- children's institutions
- leisure areas
- outdoor swimming pools
- parks

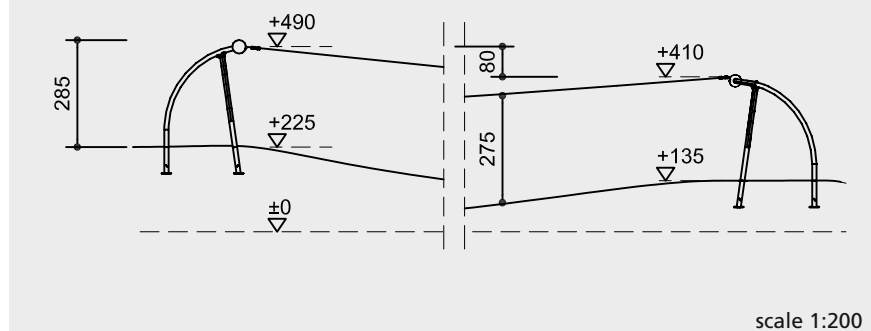


6.01110/6.02110

Order No. 6.01110 up to 30 m



Order No. 6.02110 up to 50 m



scale 1:200

Safety check according to EN 1176

Components

- 1 mountain station
- 1 valley station
- 1 carrying cable with 2 stopper gear sets
- 1 travelling crab with pendulum seat
- 1 tube for tensioning

Installation information

Surfacing requirements corresponding to a fall height of ≤ 1.00 m (please refer to price list for more detailed information)

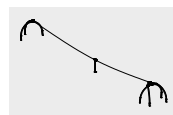
Foundations

- 1 item 150 x 150 x 50 cm excavation depth 70 cm
- 2 items 120 x 120 x 50 cm excavation depth 70 cm
- 4 items 80 x 80 x 50 cm excavation depth 70 cm

Attention:

Exact measurements may vary, for all installation dimensions refer to current installation instructions.

Technical changes reserved.



6.01110/6.02110

Technical information

equipment made of stainless steel

pendulum seat

with large rubber surface, with a soft, protecting edge and steel insert



universal joint

suspension of pendulum seat with hose-sleeved chain on drop-forged and hot-dip galvanised joint yoke; the universal joint insert consists of two swing bearings



brass bush

for all to and fro movements we use bush bearings which allow for self-lubrication while in use and which can be easily exchanged in case of need



tensioning device

the cable goes over a winch in a big radius. Thus the tensioning adjustment can easily be done by one person



travelling crab

our travelling crab is made in a „sandwich“ construction. Due to its isolated mechanism, sound proof working is ensured. The travelling crab can be installed without dismantling the cable



special lifting cable

for our Cableways we use a special lifting cable made of pure steel, impregnated, length-stable, irrotational and bending stress resistant



chains

suspended on hose-sleeved, short-link chains, 6 mm, welded before hot-dip galvanisation (stainless steel chains available on request)



Dimensions

(small deviations possible)

height	2.85 m
length	34.20/54.20 m
width	3.95 m
cable height	2.75 m
cable length	32/52 m
weight	760 kg

For more detailed explanation of the quality characteristics see price list.

Play value

The Cableway is a piece of play equipment that appeals to many age groups. The sensation of speed while whizzing from one point to another is great fun for children and young people alike. Depending on age and experience, it's also possible to ride in pairs. The hanging cable and the ramp make accelerating possible without the need for any run-up or pushing. The incline on the other end brakes the ride. The attractively designed wooden stations are eye-catchers and highly appealing.



The pictures shows Order No. L6.01050 (larch with steel feet).

Fundamental characteristics

- quiet-running travelling crab
- cable tension can be adjusted by one person
- attractive, sturdy timber design
- incentive for playing: wooden stations, long zip line
- movement: holding on to, being carried, hurtling through space

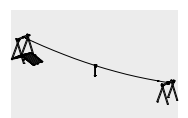
Suitable

- for children from 4 years of age
- for public playgrounds
- day-care centres
- leisure areas
- open-air swimming pools
- parks

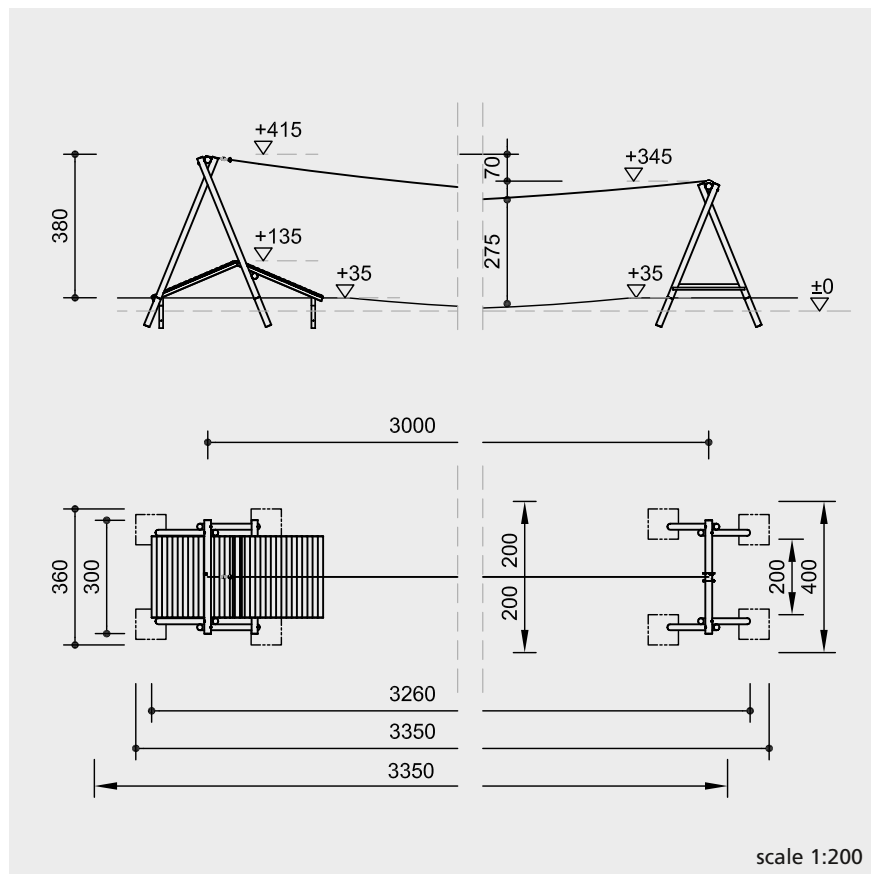
Cableway with Ramp
length 30 m

© Richter Spielgeräte GmbH 10/15

Design and Copyright



6.01050



safety check according to EN 1176

Components

- 1 mountain station
- 1 valley station
- 1 ramp, 2 pieces
- 1 carrying cable with 2 stopper gear sets
- 1 travelling crab with pendulum seat
- 1 tube for tensioning

Installation information

Surfacing requirements corresponding to a fall height of ≤ 1.00 m (please refer to price list for more detailed information)

Foundations
 8 items 80 x 80 x 60 cm excavation depth 80 cm
 6 items 50 x 50 x 60 cm excavation depth 80 cm

Attention:
Exact measurements may vary; for all installation dimensions refer to current installation instructions.
 Technical changes reserved.
Equipment also available with steel feet or made of larch with steel feet.

Technical information

de-barked

de-barked posts, Ø 15 - 18 cm, of spruce/fir, boiler pressure impregnated according to DIN 68800-3, use class 4



perforated

the earth/air zone of the wood is perforated by small bore holes to ensure that the impregnating agent penetrates this particularly endangered zone.



ramp slabs

thickness 3 to 5 cm, de-barked by hand, of spruce/fir, boiler pressure impregnated according to DIN 68800-3, use class 4



pendulum seat

with large rubber surface, with a soft protective edge and profiled steel insert



universal joint

pendulum seat suspension with hose-sleeved chain connected to drop-forged, hot-dip galvanised joint yoke; the universal joint insert consists of two swing bearings



strong fastening

bolt connections with milled metal rings for connections that are stressed cross-wise



brass bush

for all to and fro movements we use sintered metal bearings which allow for self-lubrication while in use and are easy to exchange if required



tensioning device

The cable runs on a pulley with a large radius. Adjusting the tension of the cable is easy and can be carried out by one person.



travelling crab

The travelling crab is a "sandwich construction". The "enclosed" mechanism ensures sound-insulated operation. It is not necessary to disassemble the cable in order to install the travelling crab.



special carrying cable

For our cable ways, we use a special carrying cable with the following features: made of solid steel, torsion-resistant, impregnated, stable in length and long flex life.



chains

suspended on hose-sleeved, short-link chains, 6 mm, welded before hot-dip galvanisation (stainless steel chains available on request)



cross beams of hot-dip galvanised steel

Dimensions

(small deviations possible)

height	3.80 m
length	32.60 m
width	3.00 m
height of cable	2.75 m
length of cable	32 m
weight	1000 kg

Please refer to the price list for a more detailed explanation of the quality characteristics.



6.01050


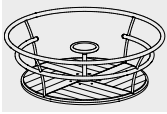



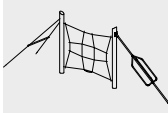

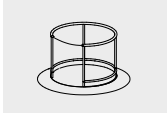

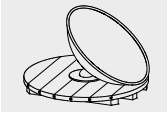
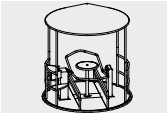


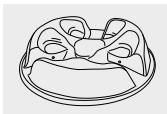

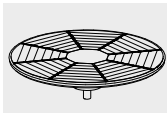
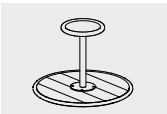
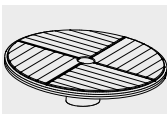

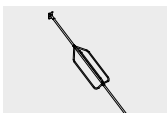
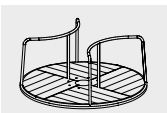

D Movement

- 1 Cableways
- 2 **Turning**
- 3 Swinging · swaying · rocking
- 4 Jumping · see-sawing · wobbling
- 5 Balancing
- 6 Sliding
- 7 Climbing
- 8 Free-standing bridges

2

Turning around and around and experiencing physical phenomena is an activity that children seek out again and again. As a response to this wish, we provide diverse play offers based on the themes of turning, rotating, whirling, flying and experiencing centrifugal force. Our red Roundabout, the Rotating Plate, the Whirlwind, the Rotating Disc and the other types of carousel all provide an experience of rotating, which can be achieved using a certain degree of physical effort. Communication and cooperation deepen the play experience.

D 2 Turning

Order No. Item	page	Order No. Item	page	Order No. Item	page
					
6.28000 ff. Whirligig	309	6.26502 Carousel with Seating Ring	323	6.45100 Rope Bar	337
					
6.26400 Small Spinner	311	6.32000 Rotating Plate	325	6.46000 Combination of Whisk, Rope Bar and Vertical Climbing Net	337
					
6.27000/6.27005 Turning Tyre	313	6.32500 Small Wheelchair Carousel	327	6.51630 Vertical Climbing Net	337
					
6.27300 Wobble Dish	315	6.29000 Wheelchair Carousel	329	7.16000 Maypole	341
					
6.26401 Medium Spinner	317	6.26000 Roundabout	331		
					
6.26402 Large Spinner	319	7.25000 Giant Revolving Disc	333		
					
6.26500 Turntable	321	7.26000 Rotating Disc	335		
					
6.26501 Small Carousel	323	6.27600 Whisk	337		
					
6.26503 Standing Carousel	325	6.10500 Whirlwind	339		

Play value

The Whirligig is very attractive to small children, due to its friendly appearance and child-sized dimensions. Only a small amount of force is enough to start the Whirligig turning around, with or without a guest. If a passenger is on the foot support ring, they can influence the turning speed by shifting their centre of gravity. Children can hold on to the arms or collar easily and turn around together with the Whirligig. This carousel provides the opportunity of exploring the laws of centrifugal force in a playful manner.

Fundamental characteristics

- child-sized and emotionally appealing design
- sensitive use of colour
- play value can be experienced individually
- can be put into motion with one push of the leg
- pirouette effect can be experienced
- incentive for playing: face, colour, arms
- movement: running around, spinning

Suitable

- for small children's areas of:
 - public playgrounds
 - kindergartens
 - leisure areas
- nurseries



Order No. 6.28000 light blue/blue with collar



Order No. 6.28104 red/orange with collar

Whirligig
with Collar
with Arms



Order No. 6.28100 light blue/blue with arms

© Richter Spielgeräte GmbH 10/15

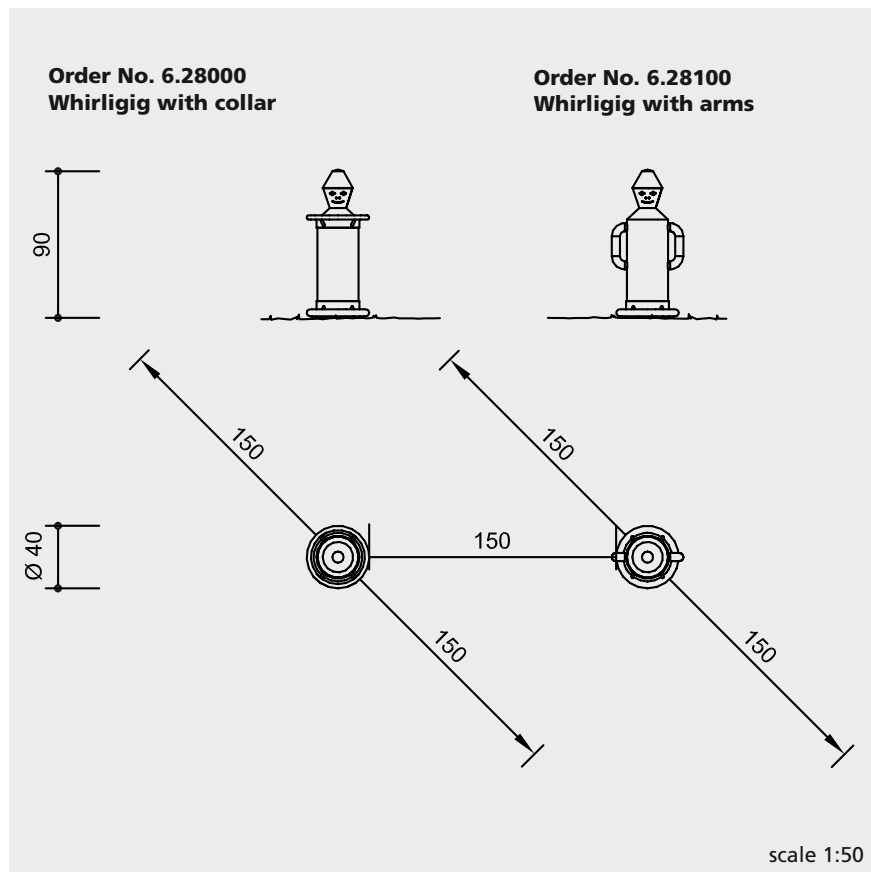
Design and Copyright



6.28000 - 6.28006



6.28100 - 6.28106



Technical information

turning body lathe-turned from one piece of non-impregnated mountain larch

The wood is split in order to dry and screwed back together around a rubber layer, thereby preventing the solid timber from cracking.

all visible metal parts made of stainless steel, glass bead blasted

with double polyamide bearings

colour

solvent-free acrylic paints are used for colouring; the wood is painted in a way which allows the structure of the wood to remain clearly visible

standard colours:

- Order No. 6.28000/6.28100**
light blue/blue
- Order No. 6.28004/6.28104**
red/orange
- Order No. 6.28006/6.28106**
purple/pink

Dimensions

(small deviations possible)

height	0.90 m
diameter	0.40 m
weight	160 kg

Safety check according to EN 1176

Components

- 1 Whirligig
- 1 pre-fabricated concrete foundation

Installation information

Surfacing requirements corresponding to a fall height of ≤ 0.60 m (please refer to price list for more detailed information)

Foundations
excavation for pre-fabricated foundation approx. $\varnothing 1.00 \times 0.45$ m
For installation in loose material, e.g. sand, an additional anchorage in concrete is necessary on-site.

Recommendation

When installed in loose ground, the pre-fabricated concrete foundation should be covered durably, e.g. with safety tiles.

Attention:

Exact measurements may vary, for all installation dimensions refer to current installation instructions.

Technical changes reserved.



6.28000 - 6.28006



6.28100 - 6.28106

Function and Play value

The smooth-running spinner can be put into motion with a push, either with a hand whilst sitting or in a standing position using a foot. The handrail tubing can be used to hold on to. It promotes small gymnastic-type exercises. Because of its shape, the Small Spinner is also suitable as a play spot in a pedestrian zone or other inner-city locations.

Fundamental characteristics

- child-size and age-appropriate dimensions
- a spinning play offer for all ages
- high-quality design
- playful experience of the pirouette effect
- incentive for playing: human shape, recognition value
- movement: spinning, shifting one's weight

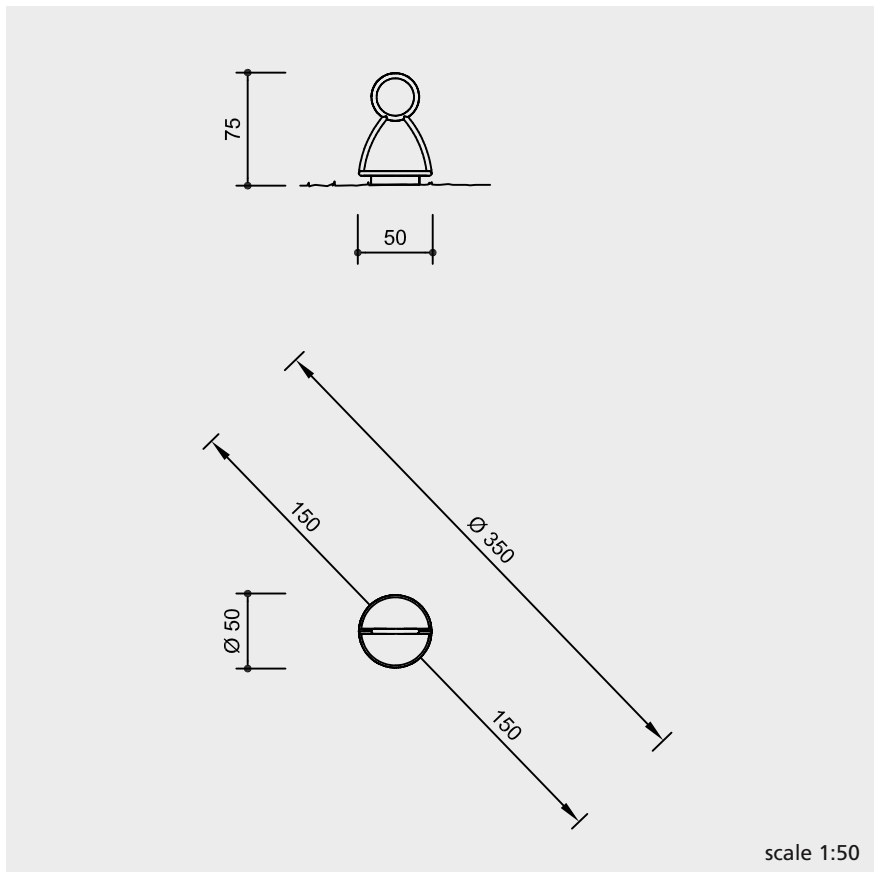
Suitable

- for small children's areas of:
public playgrounds
kindergartens
- nurseries
- pedestrian areas



Small Spinner
height 0.75 m





Safety check according to EN 1176

Technical information

equipment made of stainless steel,
glass bead blasted

sturdy substructure

mechanism fitted on two ball bearings,
lacquered, watertight and sand-proof
maintenance-free



ergonomic handrail tubing
Ø 33.7 mm

surfacing made from checker plate

foundation frame made of steel

Dimensions

(small deviations possible)

height	0.75 m
diameter	0.50 m
weight	35 kg

For more detailed explanation of the quality characteristics see price list.

Components

- 1 Small Spinner
- 1 foundation frame

Installation information

Surfacing requirements
corresponding to a fall height of ≤ 0.60 m
(please refer to price list for more
detailed information)

Foundations
1 item 60 x 60 x 20 cm
excavation depth 60 cm

Attention:
**Exact measurements may vary, for all
installation dimensions refer to current
installation instructions.**
Technical changes reserved.



6.26400

Function and Play value

A tyre is mounted on a rotatable, stable spiral spring. This makes a combined bouncing and pivoting movement possible, and the surprising angles ensure butterflies in the tummy. The swinging tyre is also perfect for relaxing on.

Fundamental characteristics

- the special construction of the spring provides for unexpected, soft swaying and turning
- incentive for playing: high spiral spring
- movement: see-sawing, swinging, wobbling, balancing

Suitable

Turning Tyre

- for children from 3 years

Turning Tyre low version for small children

- for small children's areas of:
 - public playgrounds
 - children's institutions
 - playgrounds situated near houses
 - outdoor swimming pools
 - kindergartens
- nurseries

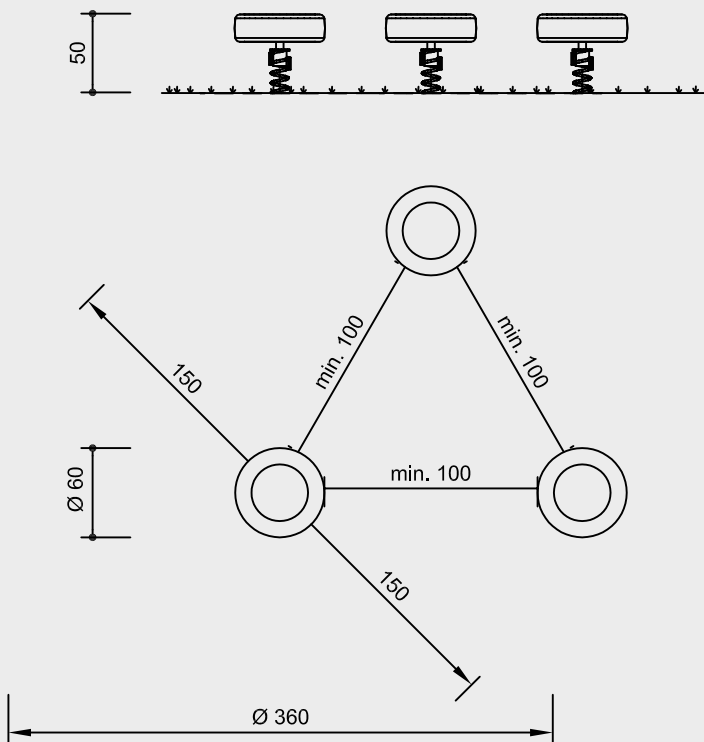


Turning Tyre

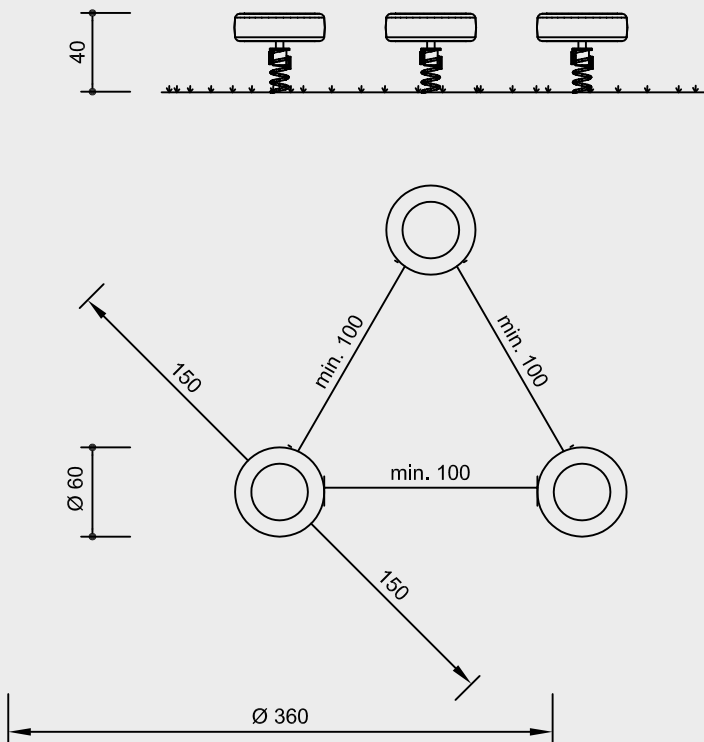
Turning Tyre
low version for small children



Order No. 6.27000 Turning Tyre



Order No. 6.27005 Turning Tyre
low version for small children



scale 1:50

Safety check according to EN 1176



6.27000/6.27005

Technical information

milled-off tyres

milled-off tyre for cleanliness, smooth, soft and lightweight



ground anchor

all parts used for anchoring to the ground made of hot-dip galvanised steel



ball bearing

turning mechanism with ball-bearings, low-maintenance



floor inside the tyre hot-dip galvanised

spiral spring 19 mm thick wire, outer diameter 149 mm, screwed onto turning mechanism and foundation anchor with clamp profiles, standard colour purple

dimensions

(small deviations possible)

Order No. 6.27000 Turning Tyre

height 0.50 m
diameter 0.60 m
weight 40 kg

Order No. 6.27005 Turning Tyre

low version for small children
height 0.40 m
diameter 0.60 m
weight 40 kg

Components

1 tyre with floor, mounted on a spring, with swivel joint and hot-dip galvanised anchor

Installation information

Surfacing requirements corresponding to a fall height of ≤ 0.60 m (please refer to price list for more detailed information)

Fundamente

Order No. 6.27000 Turning Tyre

1 item 40 x 40 x 40 cm
excavation depth 50 cm

Order No. 6.27005 Turning Tyre

low version for small children
1 item 40 x 40 x 40 cm
excavation depth 60 cm

Attention:

Exact measurements may vary, for all installation dimensions refer to current installation instructions.

Technical changes reserved.

For more detailed explanation of the quality characteristics see price list.



Function and Play value

The Wobble Dish can hold from one to three small children and provides wobbling, swinging enjoyment. When the children shift their weight they can swing to and fro, can whirl in a circle or roll while the dish moves on its central point of support. Thereby, an overlapping effect can occur and things do not always move as they could be expected to. However, that is just what makes it fun, also for smaller children. Coordination of movements and readiness to take risks are experienced through play.

Fundamental characteristics

- the universal joint mounting allows for use also on public playgrounds
- incentive for playing: sitting into
- movement: turning around, wobbling about, shifting one's weight

Suitable

- for small children's areas of:
 - public playgrounds
 - playgrounds situated near houses
 - kindergartens
 - day-care centres
 - children's homes
- nurseries

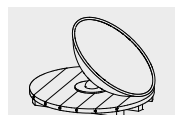


Wobble Dish

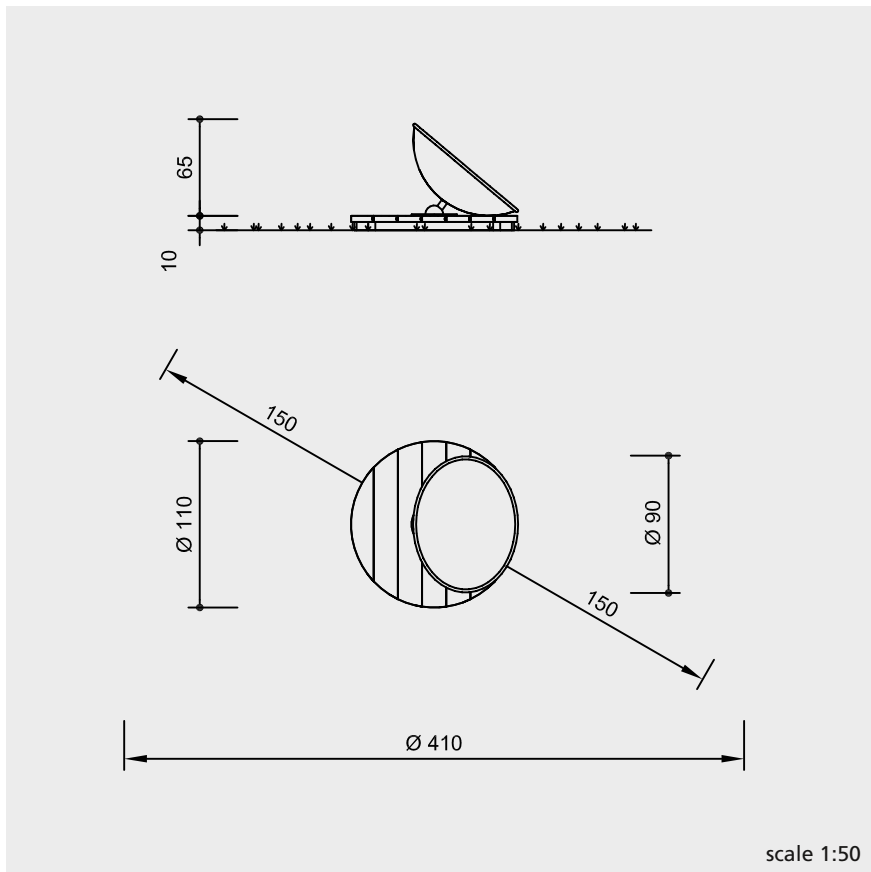


Planning information

To prevent the underground parts of the mechanism from being damaged, we strongly advise against installing the equipment in sand.



6.27300



Safety check according to EN 1176

Components

- 1 Wobble Dish
- 1 pre-fabricated concrete foundation

Installation information

Surfacing requirements corresponding to a fall height of ≤ 0.60 m (please refer to price list for more detailed information)

Foundations excavation for pre-fabricated foundation $\varnothing 1.05 \times 0.07$ m For installation in loose material an additional anchorage in in-situ concrete is necessary (on site).

Attention:
Exact measurements may vary, for all installation dimensions refer to current installation instructions.

Technical changes reserved.

Technical information

base made of non-impregnated mountain larch

core-free
 core-free, thus decreasing the occurrence of cracking



tongue and groove
 base made of 40 mm tongue and groove boarding



ball bearing
 wobbling mechanism: rotating universal joint with ball bearing, low-maintenance



dish and cover of bearing of 2 mm thick stainless steel, glass bead blasted, with grip rim

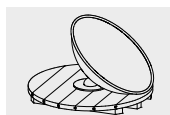
the rotating joint is covered with a rubber ring for finger protection

Dimensions

(small deviations possible)

height	0.75 m
diameter	1.10 m
weight	190 kg

For more detailed explanation of the quality characteristics see price list.



6.27300

Play value

Children recognise at once that this „Family“ of carousels stands for father, mother and child, despite of their abstract design. The carousels can easily be set in motion, sitting on the disc by hand or being in an upright position by one’s feet. The bent tubes serve as hand holds. Moreover, they can be used for gymnastic exercise. The carousels of the „Family“ line show their special nature mainly as complete installation with all three family members. Due to their formal design, they are very well suited for play areas in city centres and other public places in towns.



© Richter Spielgeräte GmbH 10/15

Design and Copyright

Fundamental characteristics

- dimensions corresponding to different age groups by different sizes of the carousels
- attractive design
- playful experience of the pirouette effect
- incentive for playing: friendly appearance, identification, different sizes
- movement: moving one’s centre of gravity, turning

**Medium Spinner
Large Spinner**

Suitable

- for children from 4 years
- for public playgrounds
- nurseries
- school playgrounds
- pedestrian zones

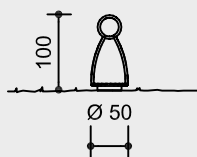


6.26401

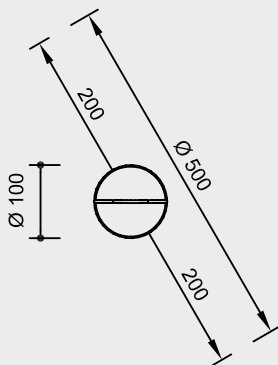
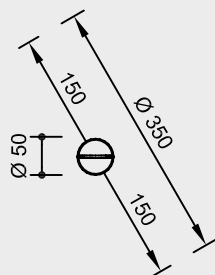
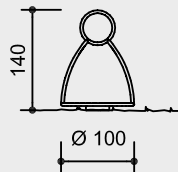


6.26402

**Order No. 6.26401
Medium Spinner**



**Order No. 6.26402
Large Spinner**



scale 1:100

Safety check according to EN 1176

Components

- 1 carousel each
- 1 foundation frame each

Installation information

Surfacing requirements
surfacing required as for critical fall height of ≤ 1.00 m
(please refer to price list for more detailed information)

Foundations

- Order No. 6.26401**
1 item 60 x 60 x 20 cm
excavation depth 60 cm
- Order No. 6.26402**
1 item 60 x 60 x 55 cm
excavation depth 60 cm

Attention:

Exact measurements may vary, for all installation dimensions refer to current installation instructions.
Technical changes reserved.

Technical information

equipment of stainless steel,
glass bead blasted

sturdy, welded substructure

ball bearing

mechanism with double low-maintenance, lacquered, water and sand proof



easy grip tubes

Order No. 6.26401 Ø 33.7 mm

Order No. 6.26402 Ø 42 mm

surfacing made of checker plate

foundation frame of steel

Dimensions

(small deviations possible)

Order No. 6.26401

- height 1.00 m
- diameter 0.50 m
- weight 45 kg

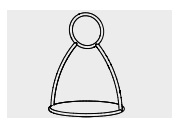
Order No. 6.26402

- height 1.40 m
- diameter 1.00 m
- weight 70 kg

For more detailed explanation of the quality characteristics see price list.



6.26401



6.26402



Order No. 6.26500 Turntable

Play value

Turning around is great fun for children. The Turntable and the Small Carousel give an opportunity for making first experiences regarding power, centrifugal forces and speed. Physical skills are extended and developed. Principles such as cause and effect can be absorbed subconsciously, physical limits can be experienced. The small carousels encourage communication and cooperation.

Fundamental characteristics

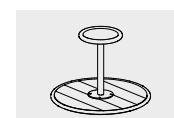
- dimensions corresponding to children's size
- balanced design
- solid wooden floor for a firm hold and comfortable seating
- incentive for playing: easy grip tubes
- movement: turning

Suitable

- for children from 3 years
- playgrounds near houses
- nurseries and children's homes
- small children's areas of public playgrounds



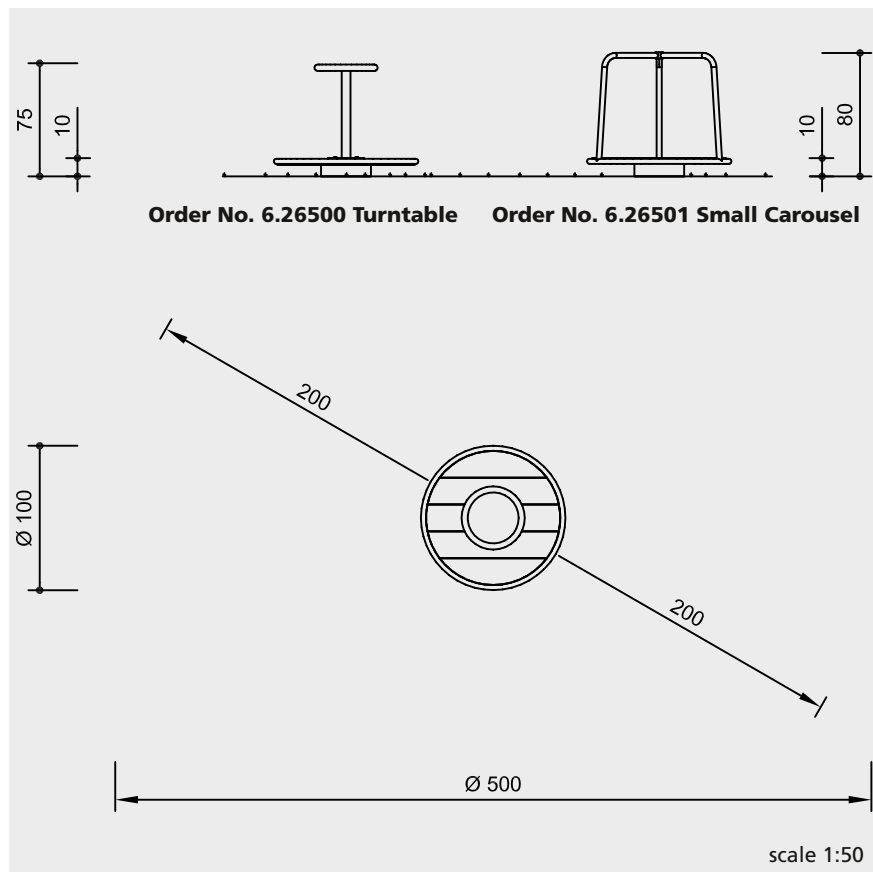
**Turntable
Small Carousel**



6.26500



6.26501



Safety check according to EN 1176

Components

Order No. 6.26500 Turntable

- 1 carousel
- 1 foundation frame

Order No. 6.26501 Small Carousel

- 1 carousel
- 1 foundation frame

Installation information

Surfacing requirements
 surfacing required as for critical fall
 height of ≤ 1.00 m
 (please refer to price list for more
 detailed information)

Foundations
 1 item 60 x 60 x 55 cm
 excavation depth 60 cm

Attention:
**Exact measurements may vary, for
 all installation dimensions refer to
 current installation instructions.**
 Technical changes reserved.

Technical information

rotating floor of 35 mm planks of
 non-impregnated mountain larch

expanding and shrinking of the planks
 is reduced by relief cuts applied to the
 underside

core-free

core-free, by that formation of cracks
 can be reduced



ball bearing

mechanism with double ball-bearings,
 lacquered, water and sand proof,
 low-maintenance



carousel structure of stainless steel,
 glass bead blasted

easy grip handrail tubes, $\varnothing 33.7$ mm

sturdy, welded substructure

foundation frame of steel

Dimensions

(small deviations possible)

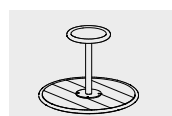
Order No. 6.26500 Turntable

equipment height	0.75 m
diameter	1.00 m
weight	73 kg

Order No. 6.26501 Small Carousel

equipment height	0.80 m
diameter	1.00 m
weight	63 kg

For more detailed explanation of the
 quality characteristics see price list.



6.26500



6.26501

Play value and Function

This agreeably shaped carousel is a good combination of wood and stainless steel; due to its high quality design it is also suited for installation in town centres. The curved tubes invite one to lean on and relax and also give support at higher turning speeds. Communication and co-operation enhance the experience gained from the pushing required to set the carousel in motion. This equipment for active play can be offered as interesting, rather unobtrusive, meeting point for teenagers.

Fundamental characteristics

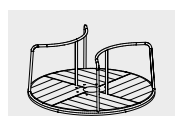
- agreeable design
- unobtrusive appearance
- solid wooden floor for a firm hold and comfortable standing and seating
- incentive for playing: bars, big round surface
- movement: pushing, turning

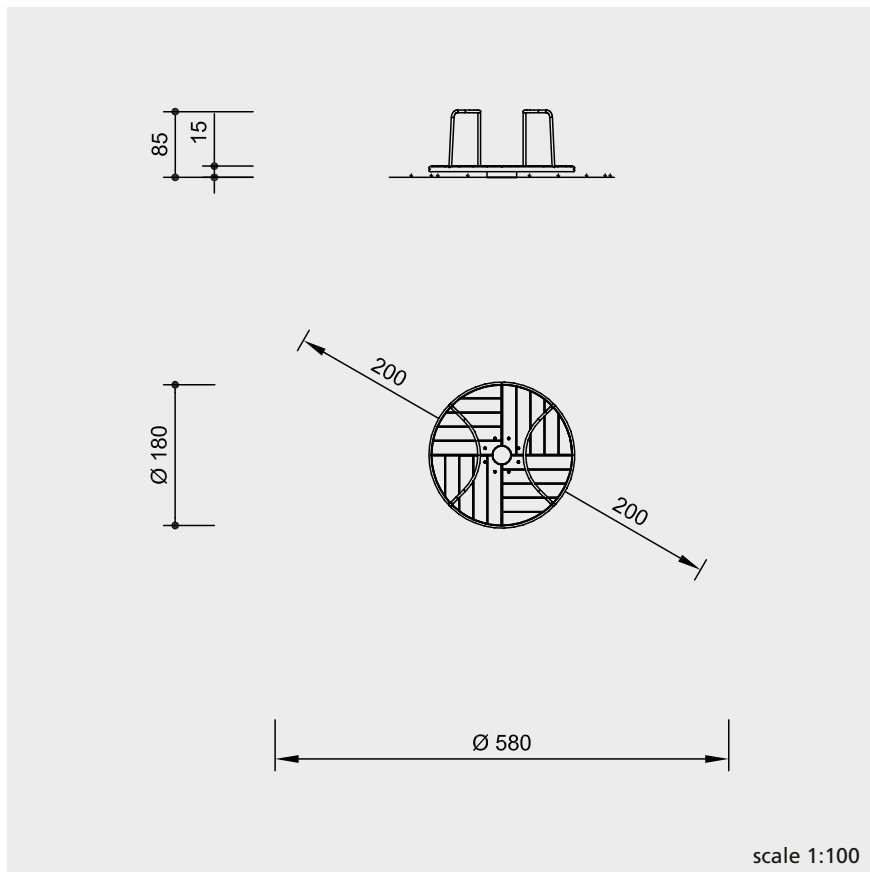
Suitable

- for children from 6 years
- for public play areas
- school playgrounds
- pedestrian areas



Standing Carousel





Safety check according to EN 1176

Components

- 1 carousel
- 1 foundation frame
- 1 bearing

Installation information

Surfacing requirements
 surfacing required as for critical fall
 height of ≤ 1.00 m
 (please refer to price list for more
 detailed information)

Foundations
 1 item 80 x 80 x 60 cm
 excavation depth 80 cm

Attention:
**Exact measurements may vary, for
 all installation dimensions refer to
 current installation instructions.**
 Technical changes reserved.

Technical information

rotating floor of 35 mm planks of
 non-impregnated mountain larch

expanding and shrinking of the planks
 is reduced by relief cuts applied to the
 underside

core-free
 core-free, by that formation of cracks
 can be reduced



ball bearing
 mechanism with double ball-bearings,
 lacquered, water and sand proof,
 low-maintenance



carousel structure of stainless steel,
 glass bead blasted

easy grip handrail tubes, $\varnothing 33.7$ mm

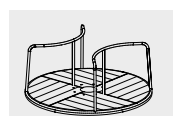
sturdy, welded substructure

foundation frame of steel

Dimensions
 (small deviations possible)

height	0.85 m
diameter	1.80 m
weight	190 kg

For more detailed explanation of the
 quality characteristics see price list.



6.26503

Play value

This well designed carousel offers place for many children at the same time. When turning around slowly, it is possible to sit down on the lower tube and lean against the upper one for having a relaxed chat. When the carousel gets turned around by the turning wheel in the middle, the speed can get higher and children hold on to the tubes. This type of carousel is also suitable as a meeting point for young people.



© Richter Spielgeräte GmbH 10/15

Design and Copyright

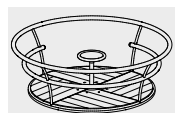
Fundamental characteristics

- agreeable design
- pleasant wooden floor
- different options for sitting and holding on due to the shape of the tubes and the overall design; experience of acceleration and slowing down by moving one's centre of gravity
- incentive for playing: shape of handrails, turning wheel
- movement: turning, moving one's centre of gravity

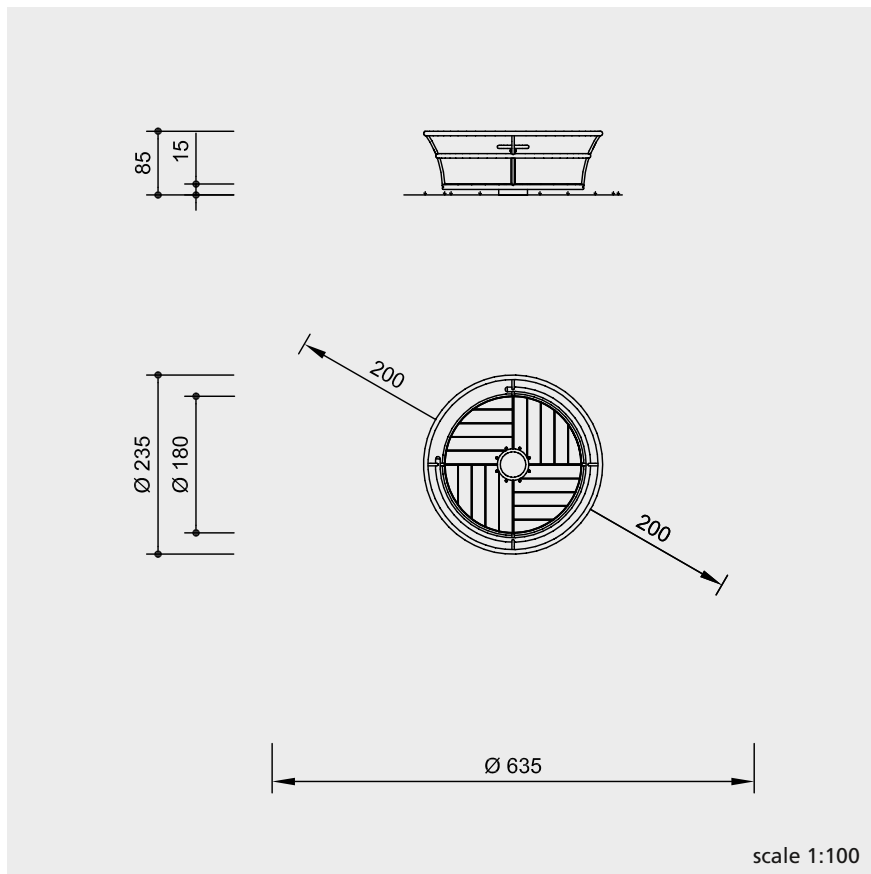
Suitable

- for children from 6 years and young people
- for public playgrounds
school playgrounds
pedestrian areas

Carousel with Seating Ring



6.26502



Safety check according to EN 1176

Components

- 1 carousel
- 1 foundation frame
- 1 bearing with handwheel

Installation information

Surfacing requirements
 surfacing required as for critical fall
 height of ≤ 1.00 m
 (please refer to price list for more
 detailed information)

Foundations
 1 item 80 x 80 x 60 cm
 excavation depth 80 cm

Attention:
**Exact measurements may vary, for
 all installation dimensions refer to
 current installation instructions.**
 Technical changes reserved.

Technical information

rotating floor of 35 mm planks of
 non-impregnated mountain larch

expanding and shrinking of the planks
 is reduced by relief cuts applied to the
 underside

core-free
 core-free, by that formation of cracks
 can be reduced



ball bearing
 mechanism with double ball-bearings,
 lacquered, water and sand proof,
 low-maintenance



carousel structure of stainless steel,
 glass bead blasted

seating rings $\varnothing 60$ mm
 all other tubes $\varnothing 33.7$ mm

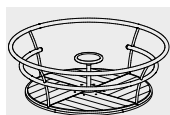
sturdy, welded substructure

foundation frame of steel

Dimensions
 (small deviations possible)

height	0.85 m
diameter on top	2.35 m
diameter of the floor	1.85 m
weight	250 kg

For more detailed explanation of the
 quality characteristics see price list.



6.26502



Play value

The flat metal plate with the fixed approach ramps and a moving part, for turning, require no foundations. They are light enough to move with a trailer but heavy enough so that they cannot be moved by vandals. Their stability also allows wheelchair users and people with cycles and mopeds to drive on and over them. The ground plates of metal are a discreet but effective play item for pedestrian areas, schoolyards and playgrounds, and stimulate active play.

Fundamental characteristics

- unique and original
- offer for active play with integrative character
- also suitable for wheelchair users
- incentive for playing: surprising element on the ground
- movement: turning, rocking

Suitable

- for children from 5 years
- for pedestrian zones
- school playgrounds
- leisure areas
- rehabilitation centres
- institutions for people with special needs

Barrier-free

- special exercise experience
- with a carer

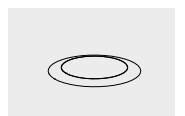


Rotating Plate

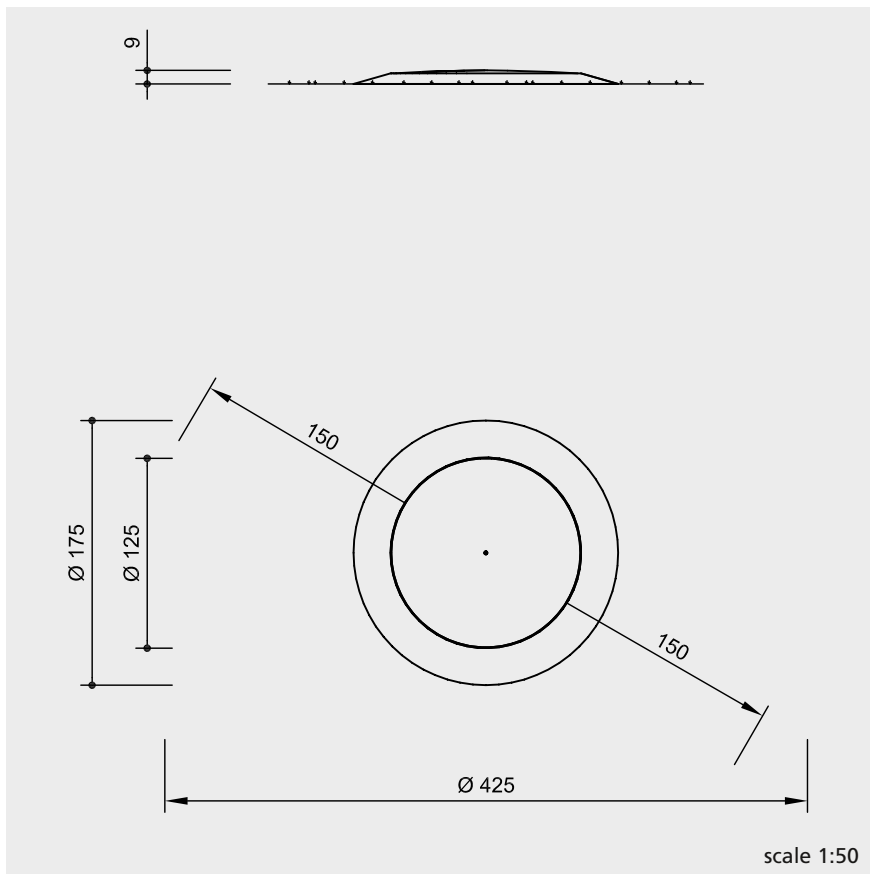


Advice

An adequate surface design helps to avoid passers-by stepping on the plates unintentionally and thus improves safety.



6.32000



Safety check according to EN 1176

Components

one part complete

Installation information

Surfacing requirements corresponding to a fall height of $\leq 0,60$ m (please refer to price list for more detailed information)

Foundations
no foundations necessary

Attention:
Exact measurements may vary, for all installation dimensions refer to current installation instructions.
Technical changes reserved.

Technical information

Steel construction, hot-dip galvanised, padded underneath with vulcanised foam rubber to reduce sound level

ball bearing

rotating mechanisms using ball bearings, low-maintenance

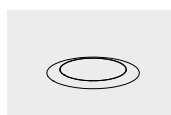


Dimensions

(small deviations possible)

height	0.09 m
diameter	1.75 m
diameter of turning disc	1.25 m
weight	220 kg

For more detailed explanation of the quality characteristics see price list.



6.32000



Play value

Our Small Wheelchair Carousel offers unique merry-go-round pleasure. The design enables children and young people with a physical disability to bring about the circular movement with the help of a carer.



Copyright © Richter Spielgeräte GmbH 10/15

Design G. Beltzig

Fundamental characteristics

- unique and original
- highly inclusive equipment that promotes exercise
- incentive for playing: technical design, easy access
- movement: rotating movement, physical effort

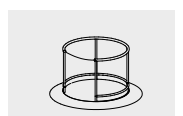
Suitable

- for anyone with or without a wheelchair
- for public playgrounds
schools
physical rehab centres
play areas for people with special needs

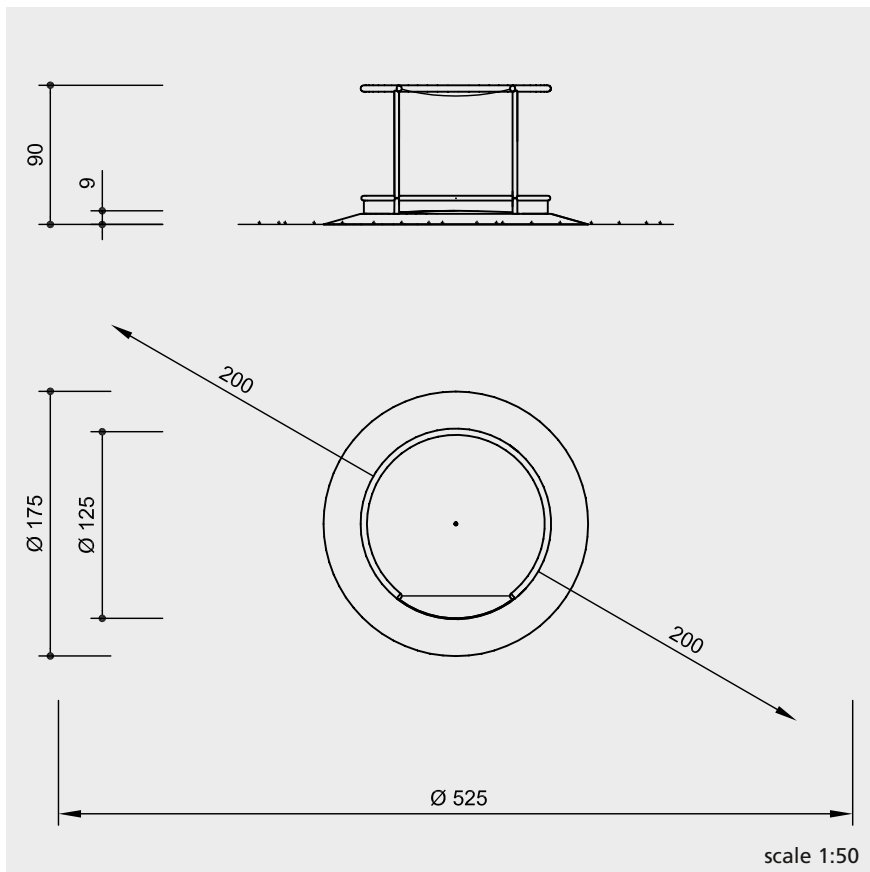
Barrier-free

- special exercise experience
- with a carer

Small Wheelchair Carousel



6.32500



safety check according to EN 1176

Components

1 part complete

Installation information

Surfacing requirements
as for critical fall height of ≤ 1.00 m,
accessible with wheelchairs
(please refer to price list for more
detailed information)

Foundations
no foundations required

Attention:
**Exact measurements may vary, for
all installation dimensions refer to
current installation instructions.**
Technical changes reserved.

Technical information

support frame made of steel, hot-dip
galvanised, filled with rigid foam from
underneath for noise reduction

superstructure made of stainless steel,
glass bead blasted

handrail made of Ø 42 mm tube,
handrail posts Ø 30 mm, with wheel
"deflector" at the bottom

**Corocord® rope
special ropes of "Hercules type"**

Corocord® rope at the entrance
prevents wheelchair users from rolling
out unintentionally, easy hook-on
operation; six-strand Corocord® rope of
the special "Hercules type", abrasion-
protected through heating of the six
steel strands and melting the polyamide
sleeve onto them, standard colour blue



ball bearing

rotational movement on maintenance
friendly ball bearings

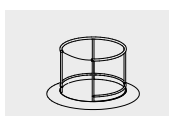


Dimensions

(small deviations possible)

height	0.90 m
diameter	1.75 m
turning disc	1.25 m
weight	250 kg

Please refer to the price list for a more detailed
explanation of the quality characteristics.



6.32500

Function and Play value

This is a piece of equipment that people in wheelchairs, who have some arm function, can use without needing any extra help. Complicated technical measures make the opportunity of unaided play a reality. The rotary mechanism lies under the ground, thereby making access to the carousel level. The long lever arm of the anti-roll bar is very sturdy so that children can sit on it. It is also the locking device. The counterweight ensures its easy operation.

Fundamental characteristics

- can be used without accompanying person
- locking brake and recoil safety guard can be operated without assistance
- the rotating mechanism is released only when both guards are closed
- installation on non-supervised play areas possible
- supports integration
- incentive for playing: technical construction, roof
- movement: physical effort

Suitable

- for people with or without wheelchair
- for public playgrounds
- schools
- rehabilitation centres
- institutions for people with special needs

Barrier-free

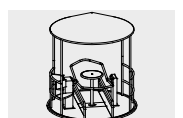
- special exercise experience
- independent play



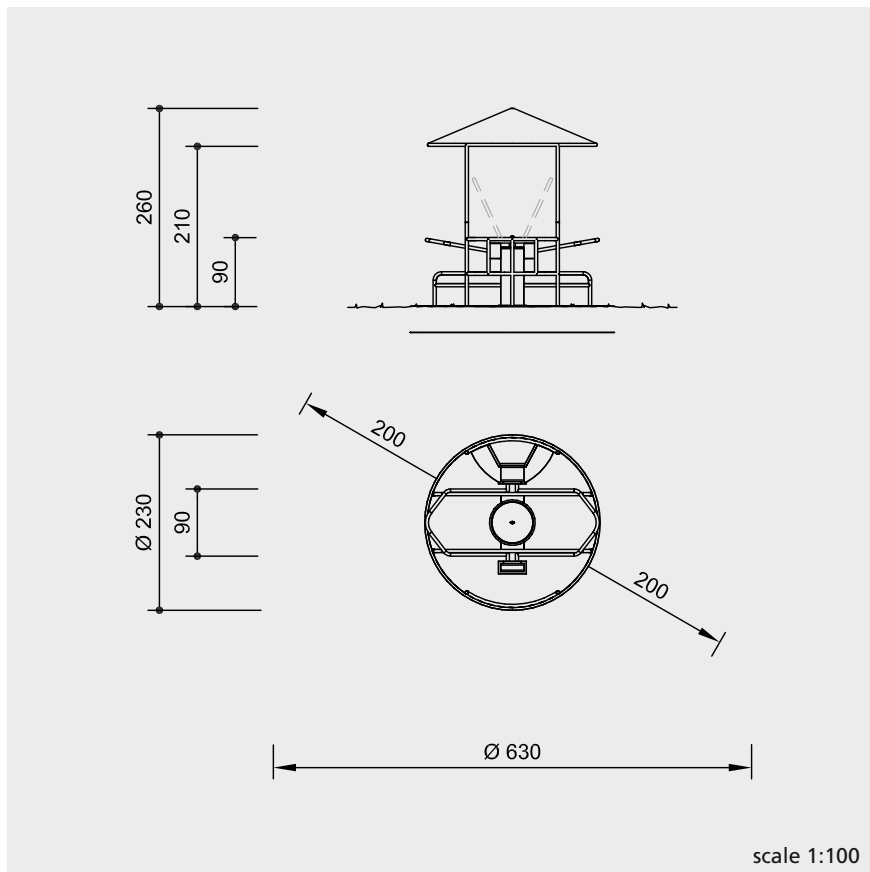
Wheelchair Carousel



colour design of the roof on site



6.29000



Technical information

visible construction of stainless steel,
glass bead blasted

ball bearing

underground construction of steel
(painted), with double bearing,
low-maintenance



base plate of textured aluminium,
installation flush with ground,
Ø 2.30 m

all tubes Ø 42 mm

roof of reinforced plastic fabric,
standard colour yellow

foundation frame of steel

Dimensions

(small deviations possible)

height	2.60 m
eaves height	2.10 m
railing height	0.90 m
turning plate diameter	2.30 m
weight	1300 kg

scale 1:100

Safety check according to EN 1176

Components

- 1 carousel with rotating plate and rotating mechanism
- 1 roof
- 1 foundation frame

Installation information

Surfacing requirements
as for critical fall height of ≤ 1.00 m,
accessible with wheelchairs
(please refer to price list for more
detailed information)

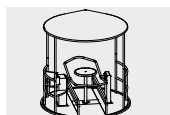
Foundations

- 1 concrete foundation slab
diameter 2.70 m, approx. 15 cm thick
- 1 middle foundation 100 x 100 cm
depth below frost level (depending on
location 80 - 120 cm)

Attention:

**Exact measurements may vary, for
all installation dimensions refer to
current installation instructions.**

Technical changes reserved.



6.29000

Play value

Roundabouts belong to the basic elements of playgrounds. Older children as well as younger ones enjoy being whirled around or gently turned about. Our red roundabout is an one-piece dish providing six seats. Due to its colour and shape, it is very attractive and can be an artistic accentuating item of a play area.



Fundamental characteristics

- soft shape
- exclusive design
- accentuation of a play area by its colour
- speed limitation
- calculable rotation speed
- incentive for playing: red colour, soft shape
- movement: pushing, turning

Roundabout

Suitable

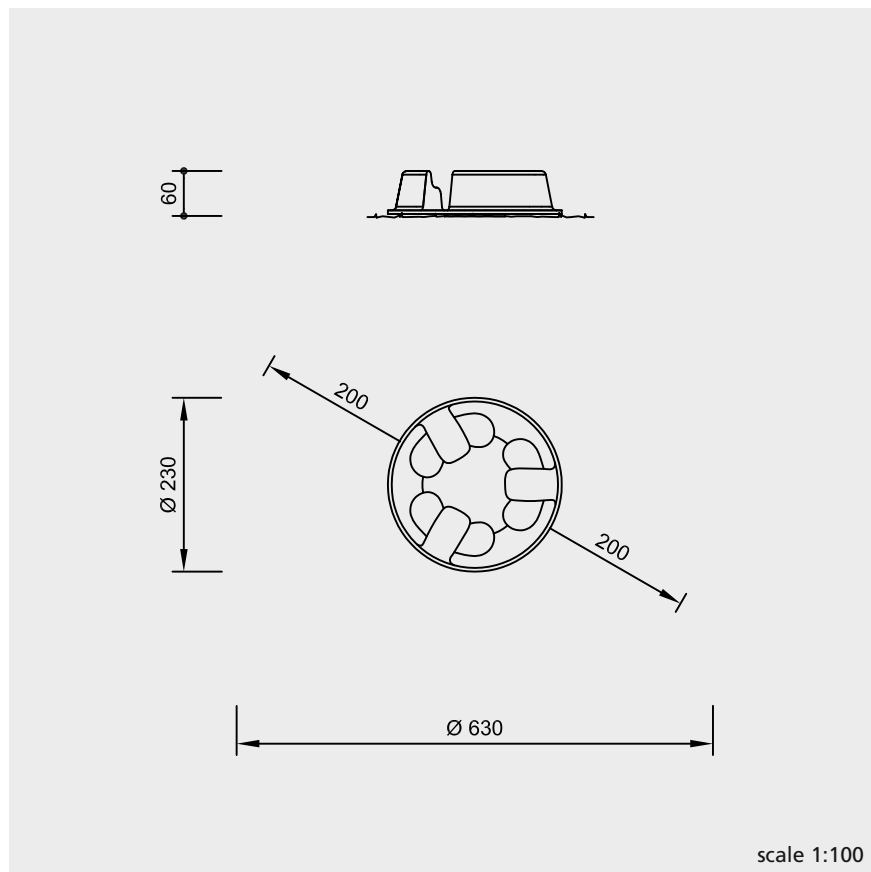
- for children from 4 years
- for public playgrounds
- leisure areas
- nurseries

Copyright © Richter Spielgeräte GmbH 10/15

Design G. Beltzig



6.26000



Technical information

Dish of fibreglass-strengthened polyester worked on in open form during the fibre-spraying process. Extremely colourfast and resistant to UV rays and frost

surface totally smooth, wall thickness 8 mm

lip reinforced to 25 mm

standard colour red

ball bearing
mechanism with double low-maintenance



Dimensions
(small deviations possible)

height	0.60 m
diameter	2.30 m
weight	120 kg

Safety check according to EN 1176

Components

- 1 dish with 3 double mouldings for seats mounted on a rotating spindle
- 1 foundation frame

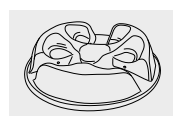
Installation information

Surfacing requirements as for critical fall height ≤ 1.00 m (please refer to price list for more detailed information)

Foundations
1 item 80 x 80 x 80 cm
excavation depth 80 cm

Attention:
Exact measurements may vary, for all installation dimensions refer to current installation instructions.
Technical changes reserved.

For more detailed explanation of the quality characteristics see price list.



6.26000



Play value

This disc is an example of play equipment which captivates children in its own very special way. It is, on one hand, set in motion by children running towards the raised side of the disc according to the intended function, whereas the „fellow riders“ experience very significantly the effects of centrifugal force. Those who cannot hold on to the disc, simply slide off; stronger and more skilled children remain on the disc despite the high speed - a natural selection without any risk.

The other type of use is in form of a meeting point for young people. While sitting on the gently rotating disc, they hold discussions and seek each other's company.

Fundamental characteristics

- agreeable design, green funnel, wooden floor with 8 sections
- wooden surface for pleasant tactile experience
- large diameter requires highly developed turning mechanism
- incentive for playing: big disc, design
- movement: physical power, turning, balancing, running

Suitable

- for children from 6 years and young people
- for public playgrounds
- leisure areas
- outdoor swimming pools
- institutions for young people

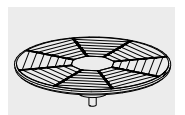


Giant Revolving Disc

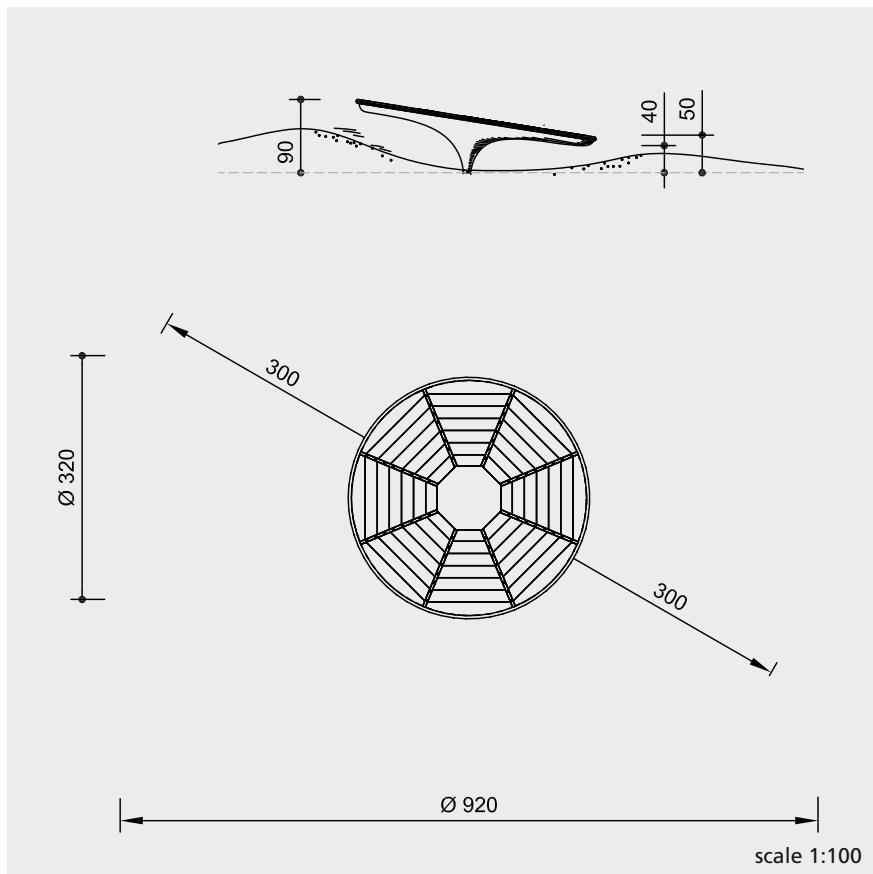


© Richter Spielgeräte GmbH 10/15

Design and Copyright



7.25000



Safety check according to EN 1176

Components

- 1 revolving disc completely mounted with funnel for protection
- 1 foundation frame

Installation information

Surfacing requirements corresponding to a fall height of ≤ 1.00 m (please refer to price list for more detailed information)

Foundations
1 item 100 x 100 x 70 cm
excavation depth 100 cm

Attention:
Exact measurements may vary, for all installation dimensions refer to current installation instructions.
Technical changes reserved.

Technical information

walking boards of non-impregnated mountain larch

core-free timber
core-free, by that formation of cracks can be reduced



tongue and groove
walking boards of 40 mm tongue and groove boarding



larch plywood
middle plate made of three-layer waterproof plywood of larch, 30 mm



ball bearing
mechanism with three way ball bearings with easily accessible grease nipples



sturdy, welded substructure with oversize bearing

upper surface without protruding elements

outer ring of stainless steel, glass bead blasted

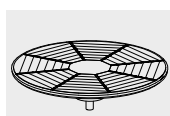
dish of fibreglass-strengthened polyester worked on in open form during the fibre-spraying process; extremely colourfast and resistant to UV rays and frost; base completely smooth, therefore no additional protection required

foundation frame of steel

Dimensions
(small deviations possible)

height	0.90 m
diameter	3.20 m
weight	670 kg

For more detailed explanation of the quality characteristics see price list.



7.25000

Play value

Due to its low height and its minimum inclination, the Rotating Disc allows turning from relaxed to wild. The effects of centrifugal force can be experienced, balancing in combination with running can be developed. There is much fun especially together with others, for those who get turned around as well as for those who set the disc in motion. It is very relaxing to turn around gently while having a chat.



Fundamental characteristics

- wooden surface for pleasant tactile experience
- careful selection of materials and high-quality finish
- incentive for playing: large disc
- movement: physical power, turning

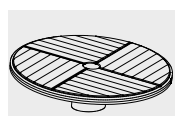
Suitable

- for children from 6 years and young people
- for public playgrounds
- leisure parks
- outdoor swimming pools

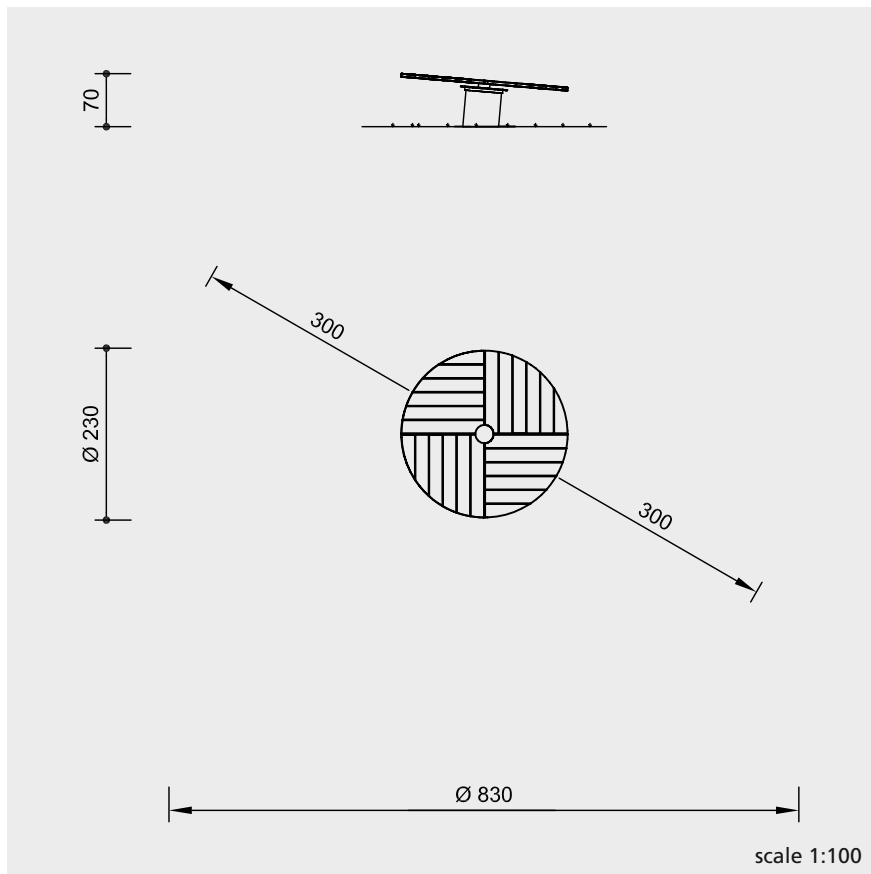
Rotating Disc

© Richter Spielgeräte GmbH 10/15

Design and Copyright



7.26000



Safety check according to EN 1176

Technical information

rotating floor of 35 mm planks of non-impregnated mountain larch

expanding and shrinking of the planks is reduced by relief cuts applied to the underside

core-free

core-free, by that formation of cracks can be reduced



ball bearing

mechanism with double ball-bearings, lacquered, water and sand proof, low-maintenance



carousel structure of stainless steel, glass bead blasted

sturdy, welded substructure

foundation frame of steel

Dimensions

(small deviations possible)

height	0.70 m
diameter	2.30 m
weight	315 kg

For more detailed explanation of the quality characteristics see price list.

Components

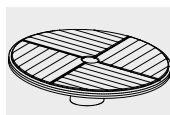
- 1 disc
- 1 rotating mechanism
- 1 foundation frame

Installation information

Surfacing requirements corresponding to a fall height of ≤ 1.00 m (please refer to price list for more detailed information)

Foundations
1 item 80 x 80 x 75 cm
excavation depth 80 cm

Attention:
Exact measurements may vary, for all installation dimensions refer to current installation instructions.
Technical changes reserved.



7.26000

Play value

The Rope Bar and Whisk can be attached to existing support posts and thus create an additional play range. In this example, both elements are installed in combination with our Vertical Climbing Net. The Bar is one of the classic exercise equipment items and is well-received by children, while the Whisk promotes completely new movements and is especially fun for two.

Fundamental characteristics

- movement: climbing, doing exercises, turning, shifting one's body weight

Suitable

- for children from 6 years
- for public playgrounds
school playgrounds
sports and leisure areas



Order No. 6.45100 Rope Bar



Order No. 6.27600 Whisk



Order No. 6.46000 Combination of Whisk, Rope Bar, Vertical Climbing Net

**Whisk
Rope Bar
Vertical Climbing Net
Combination of Whisk, Rope Bar,
Vertical Climbing Net**



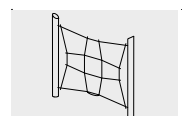
6.27600



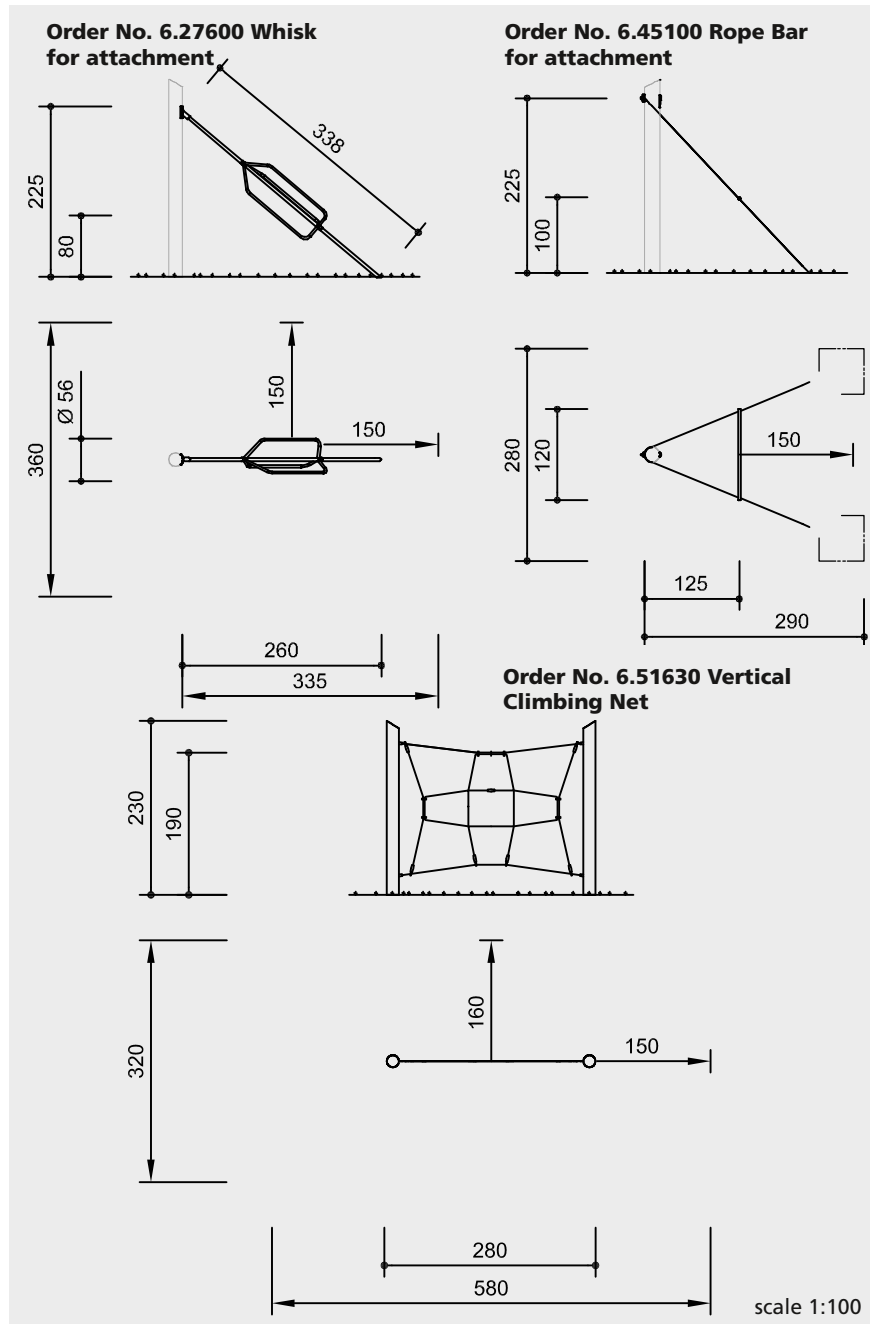
6.45100



6.46000



6.51630



Safety check according to EN 1176

Components

Order No. 6.27600 Whisk
 1 turning whisk of stainless steel for attachment to existing equipment

Order No. 6.45100 Rope Bar
 1 bar of stainless steel complete with tensioning ropes, pressed for attachment to existing equipment

support posts for attachment available on request

Order No. 6.51630 Vertical Climbing Net
 2 support posts with net

Installation information

Surfacing requirements corresponding to a fall height of:

Order No. 6.27600 ≤ 1.00 m

Order No. 6.45100 ≤ 1.00 m

Order No. 6.51630 ≤ 2.00 m (please refer to price list for more detailed information)

Foundations

Order No. 6.27600
 1 item 30 x 80 x 40 cm
 excavation depth 60 cm

Order No. 6.45100
 2 items 60 x 60 x 40 cm

Order No. 6.51630
 2 items 60 x 60 x 60 cm
 each excavation depth 80 cm

Vertical Climbing Net also available made of larch with steel feet.



6.27600



6.45100



6.46000



6.51630

Technical information

Order No. 6.27600 Whisk

equipment of stainless steel tubing, glass bead blasted, Ø 42 or 30 mm

brass bush

for all to and fro movements we use bush bearings which allow for self-lubrication while in use and which can be easily exchanged in case of need



fixings on top depending on the element for attachment

Order No. 6.45100 Rope Bar

Corocord® rope

special ropes of "Hercules type"
 guy ropes of 19 mm six-strand Corocord® rope of the special "Hercules type", abrasion protected through heating of the six steel strands and melting the polyamide sleeve onto them, standard colour red
 bar of stainless steel, glass bead blasted, Ø 30 mm



fixings on top depending on the element for attachment

Order No. 6.51630

Vertical Climbing Net

de-barked posts

de-barked posts, Ø 15 - 18 cm, of spruce/fir, boiler pressure impregnated according to DIN 68800-3, use class 4



angle cut

vertical support posts with angle cut in the end grain section as constructive wood preservation



perforated

the earth/air zone of the wood is perforated by small bore holes to ensure that the impregnating agent penetrates this particularly endangered zone



Corocord® rope

special ropes of "Hercules type"
 net of 19 mm six-strand Corocord® rope of the special "Hercules type", abrasion protected through heating of the six steel strands and melting the polyamide sleeve onto them, standard colour red



Dimensions

(small deviations possible)

Order No. 6.27600 Whisk

attachment height 2.25 m
 length 3.40 m
 weight 40 kg

Order No. 6.45100 Rope Bar

attachment height 2.25 m
 bar length 1.20 m
 height 1.00 m
 weight 17 kg

Order No. 6.51630

Vertical Climbing Net
 height 2.30 m
 equipment 2.75 m
 net 1.75 x 2.50 m
 weight 110 kg

Attention:

Exact measurements may vary, for all installation dimensions refer to current installation instructions.

Technical changes reserved.

For more detailed explanation of the quality characteristics see price list.

Play value

The equipment becomes a real whirlwind when the disc unwinds after having been wound up by the ropes. The return force is dependent on the winding force. With their physical strength, older children can achieve an impressive effect while younger children rotate more gently, depending on their skills. The most courageous ones can hold on to the metal grip ring and fly around the mast in carousel fashion. Communication and cooperation deepen the play experience.

Fundamental characteristics

- unique and original
- A freewheel mechanism with a ratchet-type lock allows the energy generated by the winding motion to be stored and provides great fun when unwinding in the opposite direction.
- incentive for playing: suspended disc, grip ring
- exercise activity: physical effort, rotating

Suitable

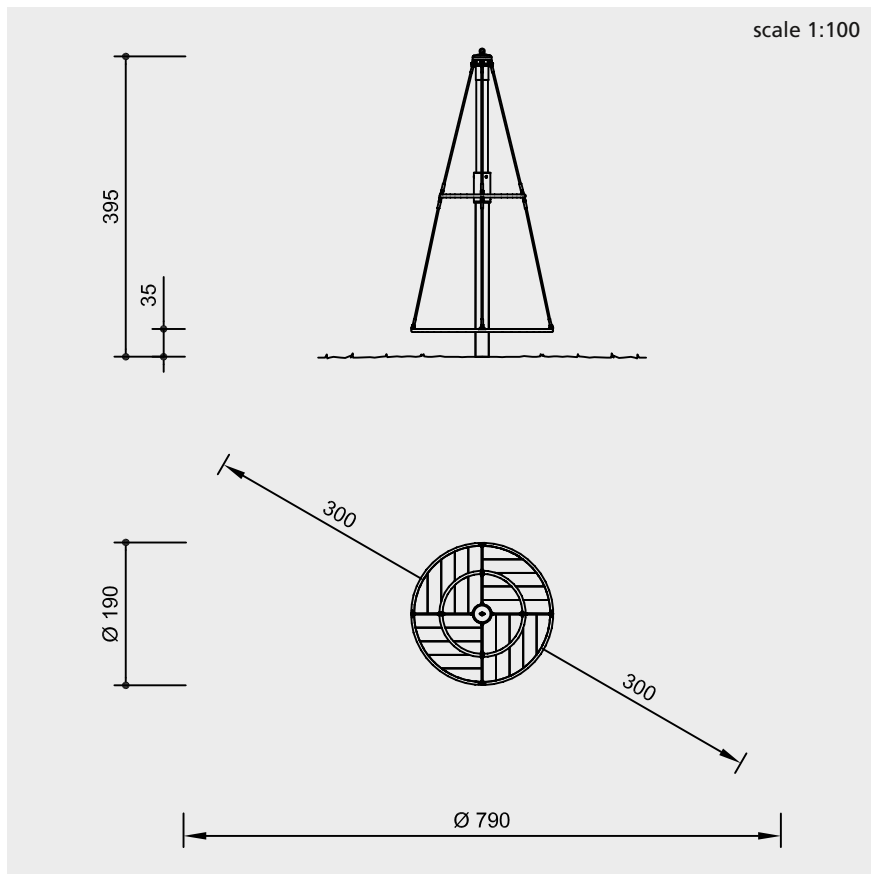
- for children from 8 years of age and young people
- for public playgrounds
- leisure areas
- open-air swimming pools
- youth centres



Whirlwind



6.10500



safety check according to EN 1176

Components

- 1 mast with rotating floor and 8 ropes
- 1 foundation frame

Installation information

Surfacing requirements corresponding to a fall height of ≤ 1.00 m
 Recommendation: fall height of ≤ 1.50 m
 (please refer to price list for more detailed information)

Foundations
 1 item 120 x 120 x 50 cm
 excavation depth 80 cm
 to be steel-reinforced on site (not included)

Attention:
Exact measurements may vary; for all installation dimensions refer to current assembly instructions.
 Technical changes reserved.

Technical information

hot-dip galvanised steel construction
 floor surfacing of non-impregnated mountain larch, 40 mm

core-free timber
 timbers core-free, thus decreasing occurrences of cracking



expanding and shrinking of the planks is reduced by relief cuts applied to the underside

Corocord® rope special ropes of "Hercules type"
 suspensions made of six-strand Corocord® rope of the special "Hercules type", abrasion-protected through heating of the six steel strands and melting the polyamide sleeve onto them, standard colour red



aluminium swages
 double-conical aluminium swages with rounded-off ends



universal joint
 drop-forged, hot-dip galvanised joint yoke; the universal joint insert consists of two swing bearings



brass bush
 for all to and fro movements we use sintered metal bearings which allow for self-lubrication while in use and are easy to exchange if required



ball bearings
 rotation of suspension enabled by low-maintenance ball bearings



pivoted mast top with freewheel mechanism ensuring that the ropes can wind up in only one direction

foundation frame made of steel

Dimensions
 (small deviations possible)

height	3.95 m
diameter	1.90 m
mast tube	140 x 8 mm
weight	280 kg

Please refer to the price list for a more detailed explanation of the quality characteristics.



6.10500

Play value

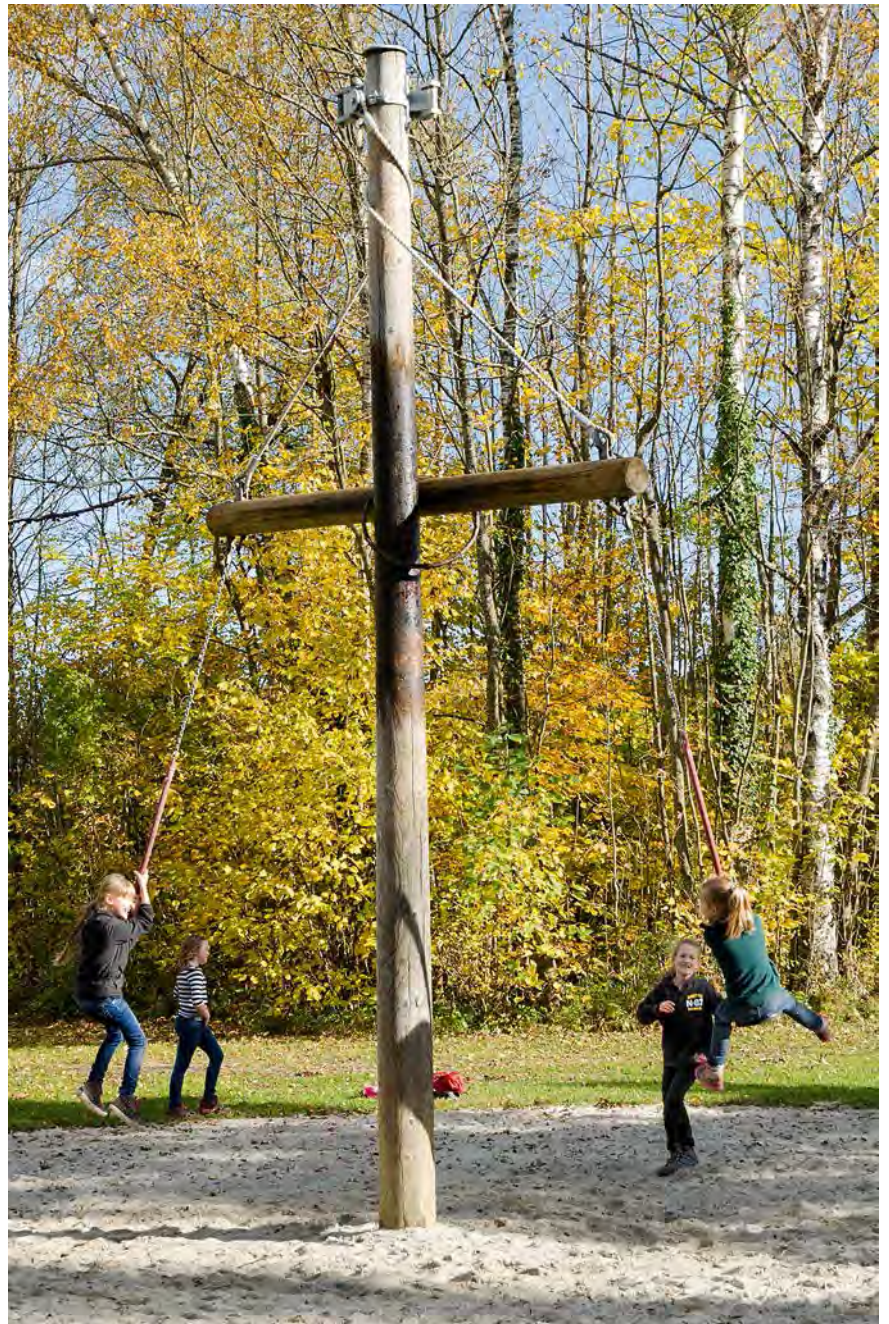
A three-metre-long cross beam hangs by two ropes from the top of a mast of nearly six metres. As the participants run around and pull on the pendulum seats, the ropes wind around the mast, forcing the cross beam to move upwards. When they sit on the seat again, the return force causes participants to fly around the mast in carousel fashion. The return force is dependent on the winding force of the participants. The appeal of cooperative play is increased by the fact that participants with different physical abilities can play together. It can be used on playgrounds for older children and wherever younger ones need to let off steam.

Fundamental characteristics

- unique and original
- playful experience of energy storing and giving off of energy
- versatile use, depending on the creativity and skills of the participants
- incentive for playing: design, suspended seats
- exercise activity: physical power, spinning, swinging

Suitable

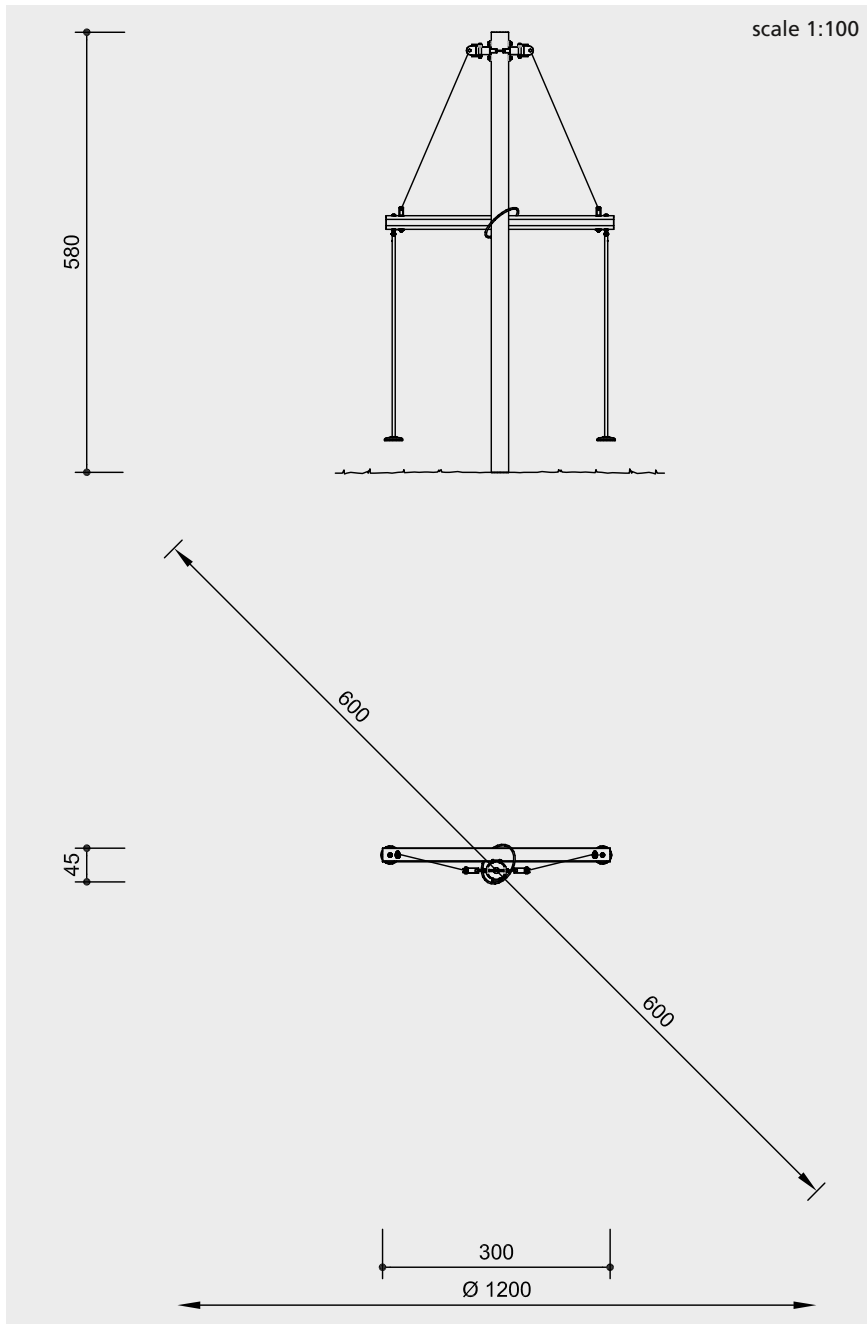
- for children from 6 years of age and young people
- for public playgrounds
leisure areas
open-air swimming pools
youth centres



Maypole



7.16000



scale 1:100

Technical information

de-barked

de-barked posts, of spruce/fir, boiler pressure impregnated according to DIN 68800-3, use class 4, mast diameter 20 - 28 cm, cross beam diameter 18 - 21 cm



angle cut

vertical support posts with angle cut in the end grain section as constructive wood preservation



perforated

The earth/air zone of the wood is perforated by small bore holes to ensure that the impregnating agent penetrates this particularly endangered zone.



Fürstenberg Permadur System

In special cases such as one-legged pieces of equipment and for the climbing forest trunks, we use the patented Fürstenberg Permadur System in the earth/air zone as an additional protective measure.



pendulum seat

large rubber surface, with a soft protective edge and profiled steel insert



universal joint

drop-forged, hot-dip galvanised joint yoke; the universal joint insert consists of two swing bearings



brass bush

for all to and fro movements we use bush bearings which allow for self-lubrication while in use and are easy to exchange if required



chains

suspended on hose-sleeved, short-link chains, 6 mm, welded before hot-dip galvanisation (stainless steel chains available on request)



all fittings hot-dip galvanised

solid winding mechanism

winding ropes of polyester

Safety check according to EN 1176 and Equal Safety in Different Ways

Components

- 1 main mast
- 1 cross beam
- 2 winding rope including joints
- 1 guide ring
- 2 pendulum seats with chain suspension from universal joints

Installation information

Surfacing requirements corresponding to a fall height of ≤ 2.00 m (please refer to price list for more detailed information)

Foundations
1 item 100 x 100 x 100 cm
excavation depth 120 cm

Note

The lower two meters of the mast have been reinforced with a thick-walled tube in order to increase its structural stability.

Attention:

Exact measurements may vary; for all installation dimensions refer to current assembly instructions.

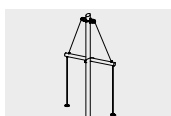
Technical changes reserved.

Receptacle for setting into concrete available on request (for easy exchange of the equipment).

Dimensions

(small deviations possible)

height	5.80 m
width	3.00 m
weight	270 kg



7.16000

Please refer to the price list for a more detailed explanation of the quality characteristics.

D Movement







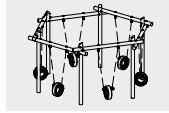


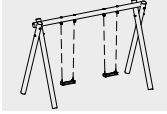
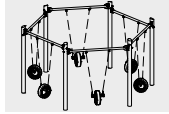

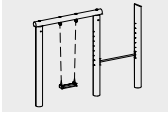



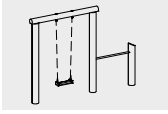

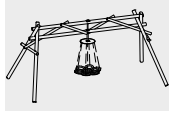








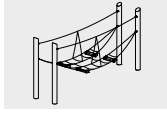
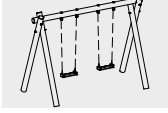

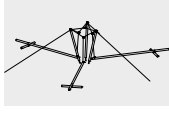




- 1 Cableways
- 2 Turning
- 3 **Swinging · swaying · rocking**
- 4 Jumping · see-sawing · wobbling
- 5 Balancing
- 6 Sliding
- 7 Climbing
- 8 Free-standing bridges

3

Children need opportunities to swing during the course of their development. Swinging to and fro is a basic movement and possibly an echo of the movement within the womb. Swinging has a comforting effect, removes tension and provides pleasure. No playground is complete without a swing. Swings are fun for young and old alike and bring everyone to life. The swing range is dependent on the mechanics of the swing and its height but also on the mood and temperament of the participants. Our wide range of swings offers fun for all ages, for single participants and groups, and for gentle and powerful swinging.

Rocking and swaying are harmonious movements that have a comforting effect and help to remove tensions. Our play offers based on rocking and swaying motion can be used by single participants or in groups and allow also for more powerful activities.

D 3 Swinging · swaying · rocking

Order No. Item	page	Order No. Item	page	Order No. Item	page	Order No. Item	page
							
6.12020 Toddler's Swing special	343	6.13000 High Swing	349	6.29110 Wheelchair Swing	359	7.64300 Tarzan Rope with Pendulum Seat	375
							
6.12720 Toddler's Twin Swing special	343	6.13020 High Swing special	349	6.17000 Hexagonal Swing	361	7.65000 Swing Rope Equipment	377
							
6.12000 Toddler's Swing	345	6.14000 High Twin Swing	349	6.17020 Hexagonal Swing special	363	7.65500 Swing Rope Equipment with Pendulum Seats	377
							
6.12100 Swing with Adjustable Horizontal Bar	345	6.14020 High Twin Swing special	349	7.68000 Queen Swing	365	6.10300 Ring Scales	379
							
6.12500 Swing with Fixed Horizontal Bar	345	7.14000 Extra High Swing	351	7.52000 See-Saw Carousel Swing	367	7.67000 Partner Pendulum	381
							
6.12600 Multi Surface Swing	347	7.14020 Extra High Swing special	353	6.18460 Car Tyre Swing	369	6.43000/6.43100 Double Hammock Seat	383
							
6.12620 Multi Surface Swing special	347	6.00001 Giraffe Swing	355	7.45000 Tractor Tyre Swing	371	6.43500/6.43600 Quadro Hammock Seat	383
							
6.12800 Multi Surface Twin Swing	347	6.14500 Cradle Nest	357	7.73000 Triple Beam Swing	373	7.66000 Small Acrobat Rig	385
							
6.12820 Multi Surface Twin Swing special	347	6.14520 Cradle Nest special	357	7.64200 Tarzan Rope	375		

Play value

We developed a new version with a cross beam made of steel to give the Toddler's Twin Swing a special design. The sophisticated corner connection ensures extra stability for the entire construction. No playground is complete without a swing. It is important that children are offered the right equipment to promote development. Swinging to-and-fro is a basic movement and is not just fun for children. Swinging releases stress, has a comforting effect and is very enjoyable, especially done together next to one another.



Order No. 6.12020 Toddlers Swing



Fundamental characteristics

- aesthetically appealing design
- incentive for playing: repeating familiar activities
- exercise activity: swinging, jumping off

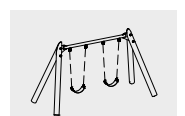
Suitable

- for children from 3 years of age
- for play spaces situated near houses
kindergartens
after-school care clubs
public playgrounds

**Toddler's Swing – special
Toddler's Twin Swing – special**



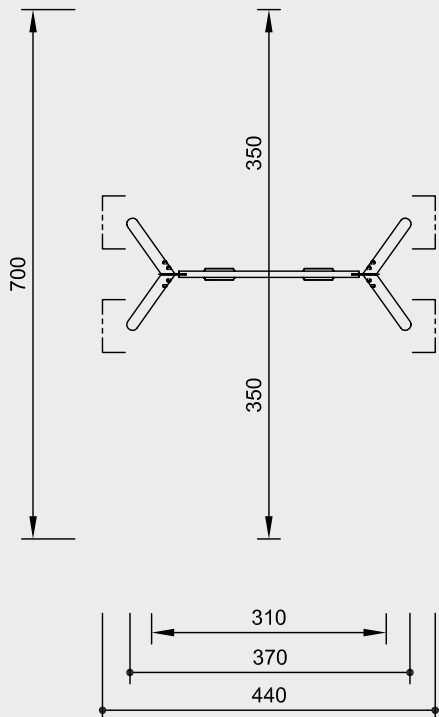
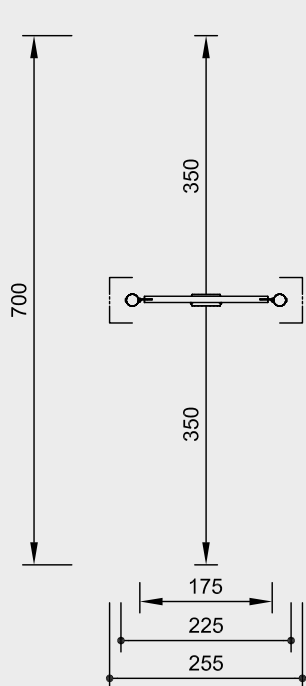
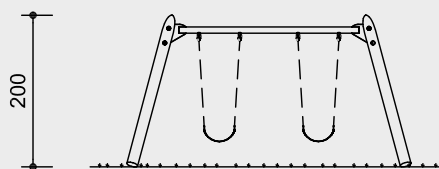
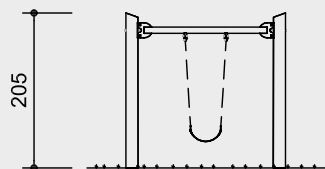
6.12020



6.12720

Order No. 6.12020
Toddler's Swing – special

Order No. 6.12720
Toddler's Twin Swing – special



scale 1:100

safety check according to EN 1176

Technical information

equipment of non-impregnated mountain larch

de-barked
de-barked posts, Ø 15 - 18 cm



swing joint
drop-forged, hot-dip galvanised swing joint with bush with graphite sleeve for self-lubrication and integrated swivel



concealed head
large surface for pressure distribution, prevents water from getting inside, protects the bolt head



strong fastening
bolt connections with milled metal rings for connections that are stressed cross-wise



brass bush
for all to and fro movements we use bush bearings which allow for self-lubrication while in use and are easy to exchange if required



chains
suspended on short-link chains, 6 mm, welded before hot-dip galvanisation (stainless steel chains available on request)



ground anchor
all parts used for anchoring to the ground made of hot-dip galvanised steel



cross beam made of steel
of galvanised steel, with rigid corner connection, therefore smaller foundations (for Order No. 6.12720)



Dimensions
(small deviations possible)

Order No.	6.12020	6.12720
height	2.05 m	2.00 m
vertical clearance	1.80 m	1.80 m
width	2.25 m	3.70 m
weight	130 kg	180 kg

Please refer to the price list for a more detailed explanation of the quality characteristics.

Components

Order No. 6.12020
Toddler's Swing – special
1 swing with steel feet
and cross beam made of steel
1 canvas seat with chains

Order No. 6.12720
Toddler's Twin Swing – special
1 swing with steel feet and cross beam
made of steel
2 canvas seats with chains

Installation information

Surfacing requirements corresponding to a fall height of ≤ 1.00 m (please refer to price list for more detailed information)

Foundations
Order No. 6.12020
2 items 60 x 60 x 60 cm
excavation depth 80 cm
Order No. 6.12720
4 items 60 x 70 x 40 cm
excavation depth 60 cm

Attention:
Exact measurements may vary;
for all installation dimensions refer
to current installation instructions.
Technical changes reserved.



6.12020



6.12720



Order No. 6.12100 with adjustable horizontal bar



Play value

A playground is not complete without a swing. Children need the possibility of swinging during their development. Swinging to and fro is a basic movement and is fun not only for children. Swinging has a comforting effect, removes tensions and provides pleasure. Our Toddler's Swing has a textile belt-seat; it can be equipped with striped posts on request.

Fundamental characteristics

- child proportions according to ergonomic requirements
- seats with anatomically correct shape
- can be combined with horizontal bar
- movement: swinging, doing exercise

Suitable

- for children from 2 years, with horizontal bar from 3 years
- for playgrounds near houses, nurseries, children's homes, public playgrounds

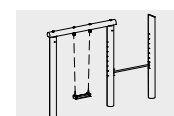


colours can be added according to customer's wishes at additional costs

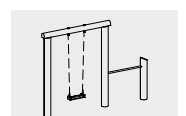
**Toddler's Swing
Swing with adjustable horizontal bar
Swing with fixed horizontal bar**



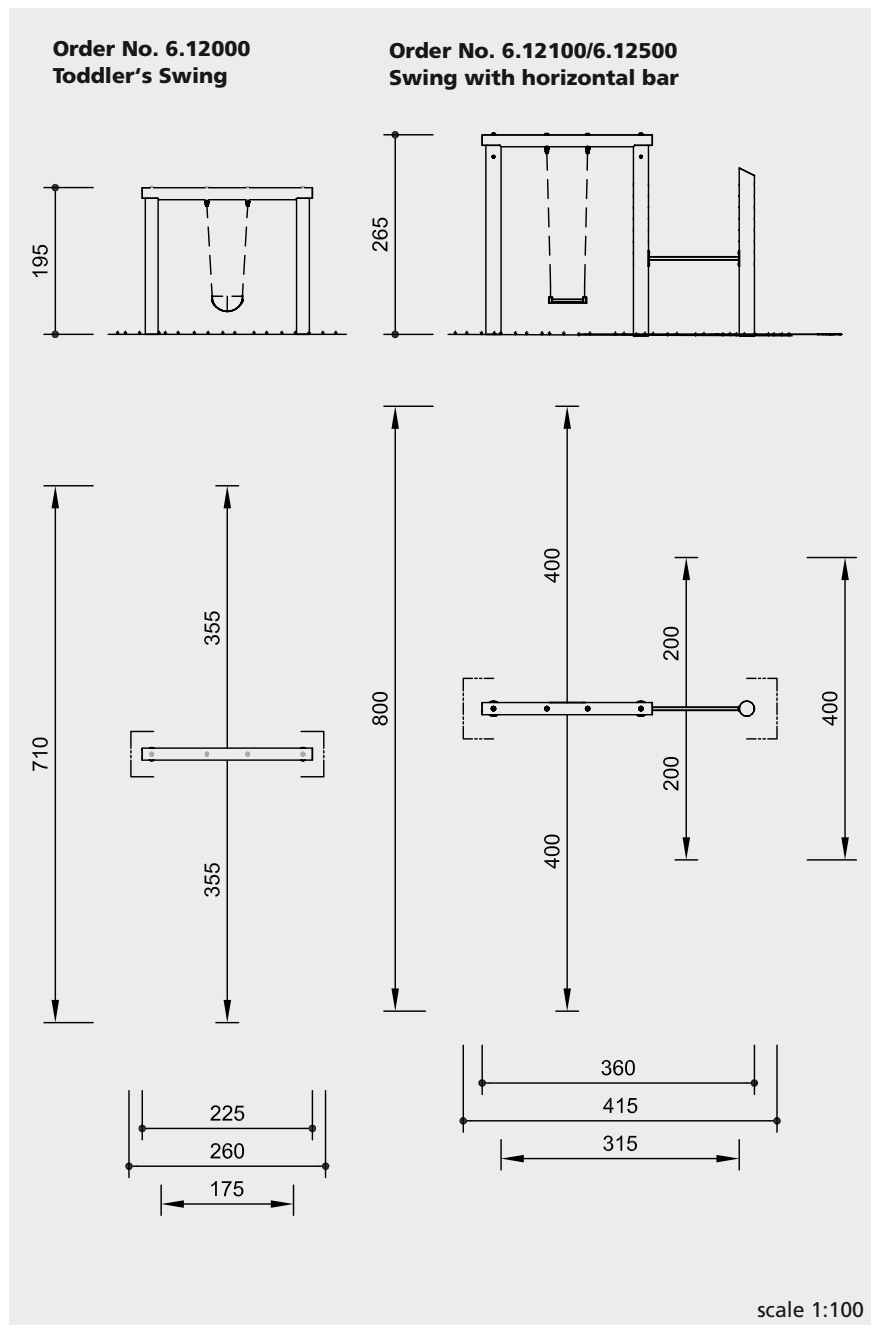
6.12000



6.12100



6.12500



Safety check according to EN 1176

Components

Order No. 6.12000 Toddler's Swing

- 1 swing frame
- 1 textile seat with chains

Order No. 6.12100/6.12500 Swing with horizontal bar

- 1 swing frame
- 1 rubber seat with chains
- 1 additional vertical post with pre-drilled holes for horizontal bar
- 1 horizontal bar of stainless steel

Attention:

Exact measurements may vary, for all installation dimensions refer to current installation instructions.

Technical changes reserved.

Equipment also available with steel feet.

Installation information

Surface corresponding to a fall height of

- Order No. 6.12000** ≤ 1.00 m
- Order No. 6.12100** ≤ 2.00 m (bar)
- Order No. 6.12500** ≤ 1.50 m

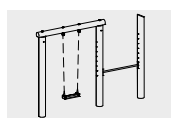
(please refer to price list for more detailed information)

Foundations

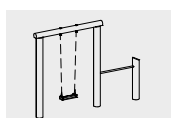
- Order No. 6.12000**
2 items 60 x 60 x 50 cm
excavation depth 70 cm
- Order No. 6.12100/6.12500**
3 items 80 x 80 x 60 cm
excavation depth 80 cm



6.12000



6.12100



6.12500

Technical information

Order No. 6.12000 Toddler's Swing

de-barked

de-barked posts, Ø 15 - 18 cm, of spruce/fir, boiler pressure impregnated according to DIN 68800-3, use class 4



1

perforated

the earth/air zone of the wood is perforated by small bore holes to ensure that the impregnating agent penetrates this particularly endangered zone



2

swing joint

drop-forged and hot-dip galvanised swing joint with bush with graphite sleeve for self-lubrication and integrated swivel



22

concealed head

large surface for pressure distribution, prevents water from getting inside, protects the bolt head



29

adjustable

no projecting threads after re-tightening due to two-piece bolt connection and therefore easy to maintain



30

strong fastening

bolt connections with milled metal rings for connections which are stressed cross-wise



31

end grain connectors

special adjustable fittings for connecting horizontal timbers to standing timbers



32

brass bush

for all to and fro movements we use bush bearings which allow for self-lubrication while in use and which can be easily exchanged in case of need



33

chains

suspended on short-link chains, 6 mm, welded before hot-dip galvanisation (stainless steel chains available on request)



43

swing seat of wide textile tread

Order No. 6.12100/6.12500 Swing with horizontal bar

Description of materials as before, but posts Ø 18 - 21 cm

rubber seat

rubber seat with anatomically correct shape, strong profiled steel insert and soft shock absorbing edge



15

horizontal bar of stainless steel, Ø 30 mm, length 1.20 m, height adjustable from 1.00 to 1.90 m, height of not adjustable bar 1.23 m

Dimensions

(small deviations possible)

Order No. 6.12000 Toddler's Swing

- height 1.95 m
- vertical clearance 1.80 m
- width 2.25 m
- weight 100 kg

Order No. 6.12100/6.12500 Swing with horizontal bar

- height 2.65 m
- vertical clearance 2.50 m
- width 3.60 m
- weight 195/190 kg

For more detailed explanation of the quality characteristics see price list.

Function and Play value

For giving the Multi-surface Swing a new design, we developed the special version with metal cross beam. The technically thought-out corner connections make the equipment very sturdy. A playground is not complete without a swing. Children need the possibility of swinging during their development. Swinging to and fro is a basic movement and is fun not only for children. Swinging has a comforting effect, removes tensions and provides pleasure, particularly if swinging is possible side by side.



Order No. 6.12800 Multi-surface Twing Swing



Fundamental characteristics

- high-quality design
- incentive for playing: swing suspension
- movement: swinging, jumping off

Suitable

- for children from 3 years
- for playgrounds near houses
nurseries
children's homes
public playgrounds

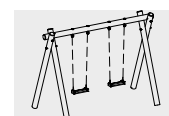
**Multi-surface Swing
Multi-surface Swing special
Multi-surface Twin Swing
Multi-surface Twin Swing special**



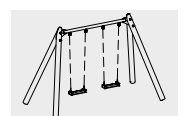
6.12600



6.12620

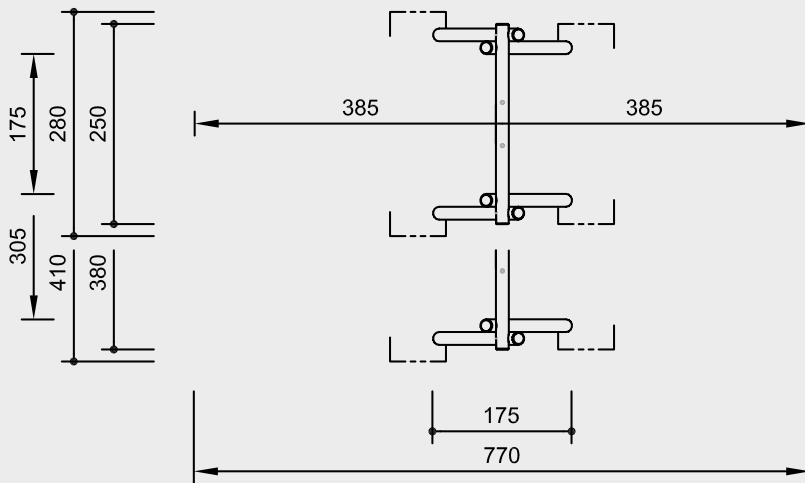


6.12800

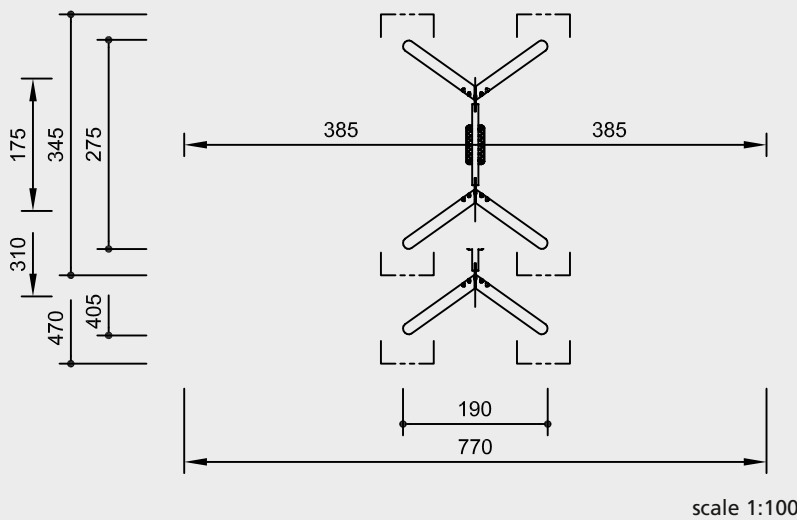


6.12820

Order No. 6.12600/6.12800
Multi-surface Swing, Multi-surface Twin Swing



Order No. 6.12620/6.12820
Multi-surface Swing special
Multi-surface Twin Swing special



Safety check according to EN 1176

Components

Order No. 6.12600/6.12800
Multi-surface Swing
Multi-surface Twin Swing

- 1 swing frame
- 1 or 2 complete suspension attachments

Order No. 6.12620/6.12820
Multi-surface Swing special
Multi-surface Twin Swing special

- 1 swing frame with steel feet and cross beam made of steel
- 1 or 2 complete suspension attachments

Order No. 6.12600 and 6.12800 also available with steel feet.

Installation information

Surfacing requirements corresponding to a fall height of ≤ 1.50 m (please refer to price list for more detailed information)

Foundations

Order No. 6.12600/6.12800

4 items 60 x 70 x 60 cm
 excavation depth 80 cm

Order No. 6.12620/6.12820

4 items 60 x 70 x 40 cm
 excavation depth 60 cm

Attention:

Exact measurements may vary, for all installation dimensions refer to current installation instructions.

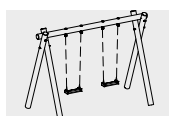
Technical changes reserved.



6.12600



6.12620



6.12800



6.12820

Technical information

Order No. 6.12600/6.12800

de-barked

de-barked posts, \varnothing 15 - 18 cm, of spruce/fir, boiler pressure impregnated according to DIN 68800-3, use class 4



perforated

the earth/air zone of the wood is perforated by small bore holes to ensure that the impregnating agent penetrates this particularly endangered zone



rubber seat

rubber seat with anatomically correct shape, strong profiled steel insert and soft shock absorbing edge



swing joint

drop-forged and hot-dip galvanised swing joint with bush with graphite sleeve for self-lubrication and integrated swivel



concealed head

large surface for pressure distribution, prevents water from getting inside, protects the bolt head



adjustable

no projecting threads after re-tightening due to two-piece bolt connection and therefore easy to maintain



strong fastening

bolt connections with milled metal rings for connections which are stressed cross-wise



brass bush

for all to and fro movements we use bush bearings which allow for self-lubrication while in use and which can be easily exchanged in case of need



chains

suspended on short-link chains, 6 mm, welded before hot-dip galvanisation (stainless steel chains available on request)



Order No. 6.12620/6.12820

materials as before, but posts of non-impregnated mountain larch

ground anchor

all parts used for anchoring to the ground made of hot-dip galvanised steel



crossbar

of galvanised steel, with rigid corner connection



Dimensions

(small deviations possible)

Order No.	6.12600	6.12800
height	2.50 m	2.50 m
vertical clearance	2.35 m	2.35 m
width	2.50 m	3.80 m
depth	1.75 m	1.75 m
weight	235 kg	250 kg
Order No.	6.12620	6.12820
height	2.60 m	2.60 m
vertical clearance	2.45 m	2.45 m
width	2.75 m	4.05 m
depth	1.90 m	1.90 m
weight	200 kg	220 kg

For more detailed explanation of the quality characteristics see price list.

Play value

This swing is higher than the Multi-surface Swing and also available with metal cross beam. A playground is not complete without a swing. Children need the possibility of swinging during their development. Swinging to and fro is a basic movement and is fun not only for children. Swinging has a comforting effect, removes tensions and provides pleasure, particularly if swinging is possible side by side.



Order No. 6.14000 High Twin Swing



Order No. 6.14020 High Twin Swing special

Fundamental characteristics

- high-quality design
- three metres equipment height
- incentive for playing: swing suspension
- movement: swinging, jumping off

Suitable

- for children from 4 years
- for public playgrounds
- playgrounds near houses
- nurseries
- children's homes
- leisure areas
- outdoor swimming pools

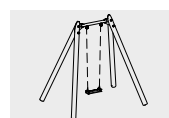
High Swing
High Swing special
High Twin Swing
High Twin Swing special

© Richter Spielgeräte GmbH 10/15

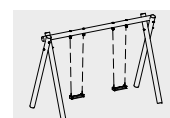
Design and Copyright



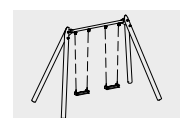
6.13000



6.13020

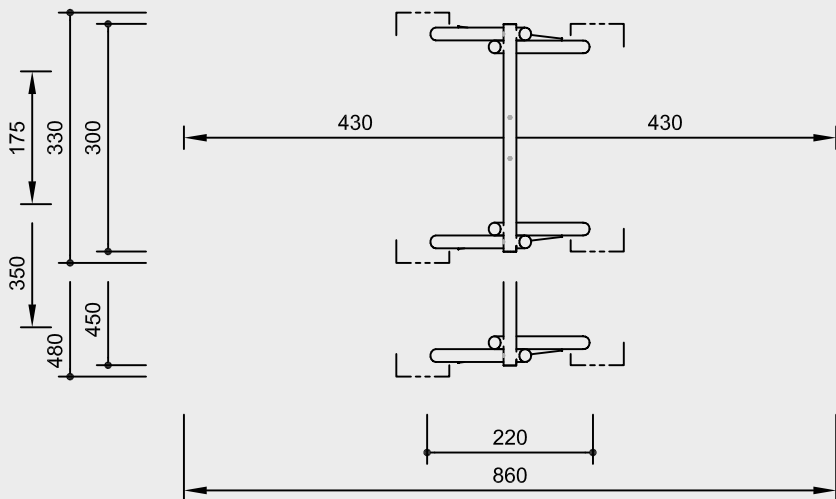


6.14000

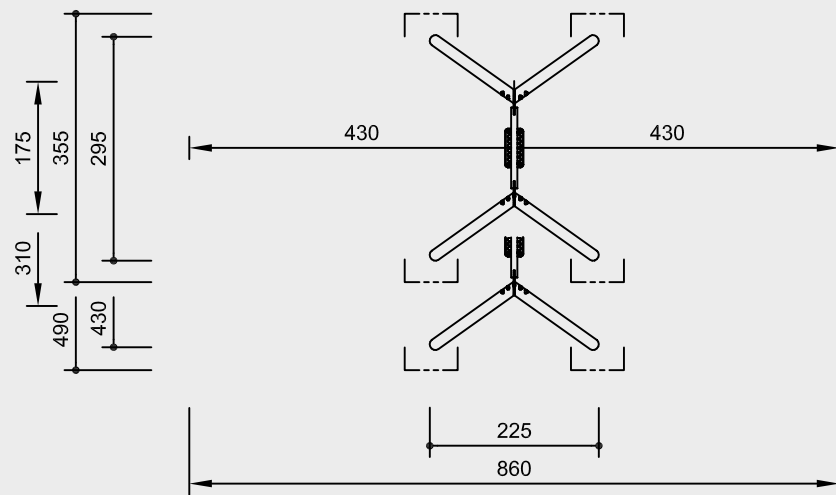


6.14020

Order No. 6.13000 High Swing
Order No. 6.14000 High Twin Swing



Order No. 6.13020 High Swing special
Order No. 6.14020 High Twin Swing Special



scale 1:100

Safety check according to EN 1176

Components

Order No. 6.13000/6.14000

High Swing
High Twin Swing

1 swing frame
 1 or 2 complete suspension attachments

Order No. 6.13020/6.14020

High Swing special
High Twin Swing special

1 swing frame with steel feet and
 crossbeam made of steel
 1 or 2 complete suspension attachments

Order No. 6.13000 and 6.14000 also available with steel feet.

Installation information

Surfacing requirements corresponding to a fall height of ≤ 2.00 m (please refer to price list for more detailed information)

Foundations

Order No. 6.13000/6.14000

4 items 60 x 70 x 60 cm
 excavation depth 80 cm

Order No. 6.13020/6.14020

4 items 60 x 70 x 40 cm
 excavation depth 60 cm

Attention:

Exact measurements may vary, for all installation dimensions refer to current installation instructions.

Technical changes reserved.



6.13000



6.13020



6.14000



6.14020

Technical information

Order No. 6.13000/6.14000

de-barked posts

de-barked posts, \varnothing 15 - 18 cm, of spruce/fir, boiler pressure impregnated according to DIN 68800-3, use class 4



1

perforated

the earth/air zone of the wood is perforated by small bore holes to ensure that the impregnating agent penetrates this particularly endangered zone



2

rubber seat

rubber seat with anatomically correct shape, strong profiled steel insert and soft shock absorbing edge



15

swing joint

drop-forged and hot-dip galvanised swing joint with bush with graphite sleeve for self-lubrication and integrated swivel



22

concealed head

large surface for pressure distribution, prevents water from getting inside, protects the bolt head



29

adjustable

no projecting threads after re-tightening due to two-piece bolt connection and therefore easy to maintain



30

strong fastening

bolt connections with milled metal rings for connections which are stressed cross-wise



31

brass bush

for all to and fro movements we use bush bearings which allow for self-lubrication while in use and which can be easily exchanged in case of need



33

chains

suspended on short-link chains, 6 mm, welded before hot-dip galvanisation (stainless steel chains available on request)



43

Order No. 6.13020/6.14020

materials as before, but posts of non-impregnated mountain larch

crossbeam made of steel

of galvanised steel, with rigid corner connection by that smaller foundations are possible



42

ground anchor

all parts used for anchoring to the ground made of hot-dip galvanised steel



41

Dimensions

(small deviations possible)

Order No.	6.13000	6.14000
height	3.00 m	3.00 m
vertical clearance	2.80 m	2.80 m
length	3.00 m	4.50 m
width	2.20 m	2.20 m
weight	270 kg	300 kg

Order No. 6.13020 6.14020

Order No.	6.13020	6.14020
height	3.00 m	3.00 m
vertical clearance	2.80 m	2.80 m
length	2.95 m	4.30 m
width	2.25 m	2.25 m
weight	240 kg	260 kg

For more detailed explanation of the quality characteristics see price list.

Play value

Anyone who has ever swung in a wide arc, never forgets it again. Here we have built such a high swing and in conjunction with safety experts, designed it so that it can stand on unsupervised public playgrounds.

Fundamental characteristics

- extra high swing frame allows for soft swinging
- equipment height is challenging for young people
- incentive for playing: height
- movement: swinging

Suitable

- for children from 10 years and young people
- for public playgrounds
- leisure areas
- excursion areas
- open-air swimming pools
- institutions for young people



Extra High Swing

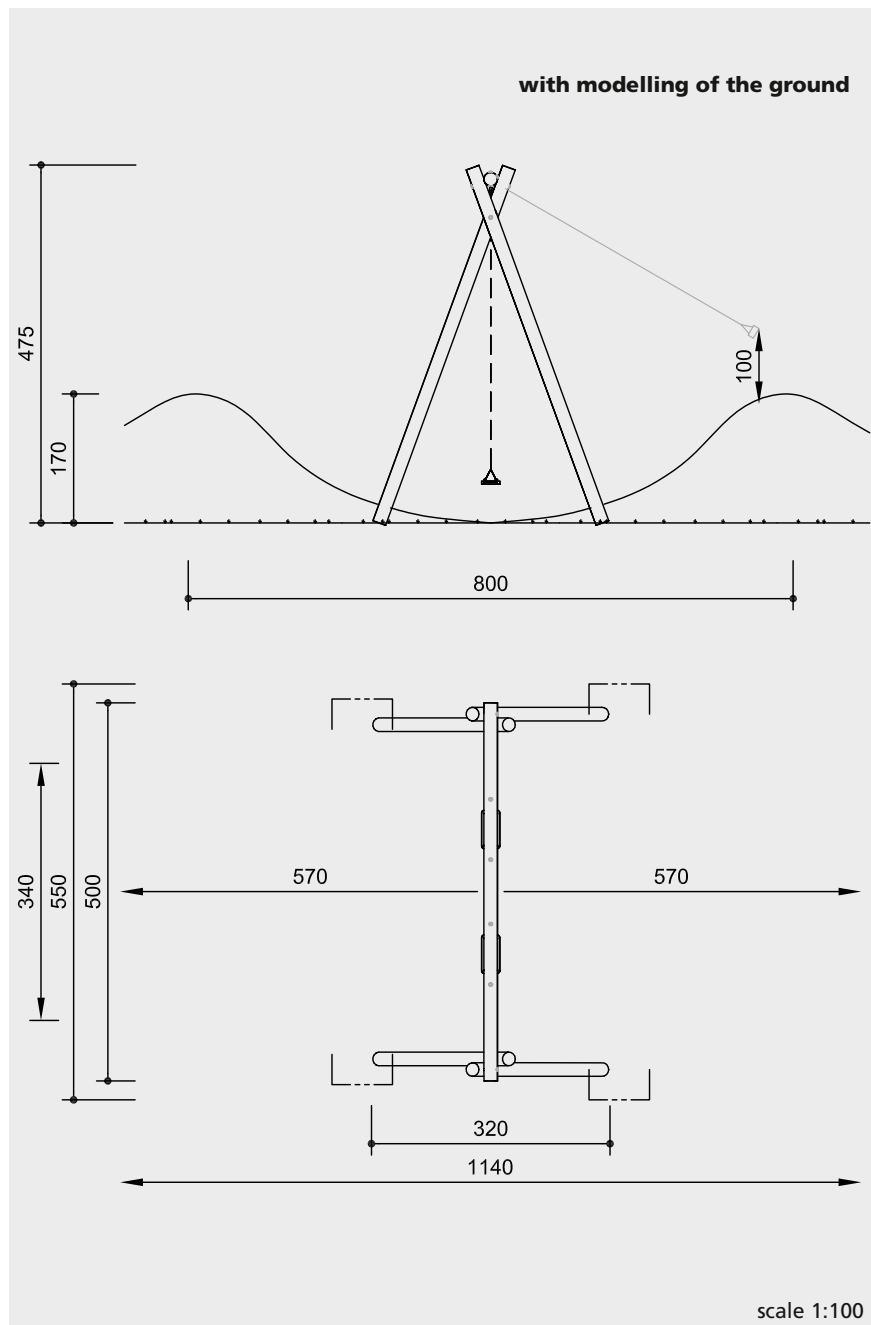


© Richter Spielgeräte GmbH 10/15

Design and Copyright



7.14000



Safety check according to EN 1176

Components

- 1 swing frame
- 2 wide swing seats with chains

Installation information

Surfacing requirements corresponding to a fall height of ≤ 3.00 m with modelling of the ground corresponding to the drawing ≤ 1.00 m (please refer to price list for more detailed information)

Foundations
4 items 80 x 80 x 80 cm
excavation depth 100 cm

Attention:
Exact measurements may vary, for all installation dimensions refer to current installation instructions.
Technical changes reserved.
Equipment also available with steel feet.



7.14000

Technical information

de-barked posts

de-barked posts, \varnothing 18 - 21 cm, of spruce/fir, boiler pressure impregnated according to DIN 68800-3, use class 4



perforated

the earth/air zone of the wood is perforated by small bore holes to ensure that the impregnating agent penetrates this particularly endangered zone



swing joint

drop-forged and hot-dip galvanised swing joint with bush with graphite sleeve for self-lubrication and integrated swivel



concealed head

large surface for pressure distribution, prevents water from getting inside, protects the bolt head



adjustable

no projecting threads after re-tightening due to two-piece bolt connection and therefore easy to maintain



strong fastening

bolt connections with milled metal rings for connections which are stressed cross-wise



brass bush

for all to and fro movements we use bush bearings which allow for self-lubrication while in use and which can be easily exchanged in case of need



chains

suspended on short-link chains, 6 mm, welded before hot-dip galvanisation (stainless steel chains available on request)



rubber swing seats for adults,
25 x 50 cm

Dimensions

(small deviations possible)

height	4.75 m
vertical height	4.45 m
length	5.00 m
width	3.20 m
weight	560 kg

For more detailed explanation of the quality characteristics see price list.

Play value

Anyone who has ever swung in a wide arc, never forgets it again. Here we have built such a high swing and in conjunction with safety experts, designed it so that it can stand on unsupervised public playgrounds.



Fundamental characteristics

- extra high swing frame allows for soft swinging
- equipment height is challenging for young people
- incentive for playing: height
- movement: swinging

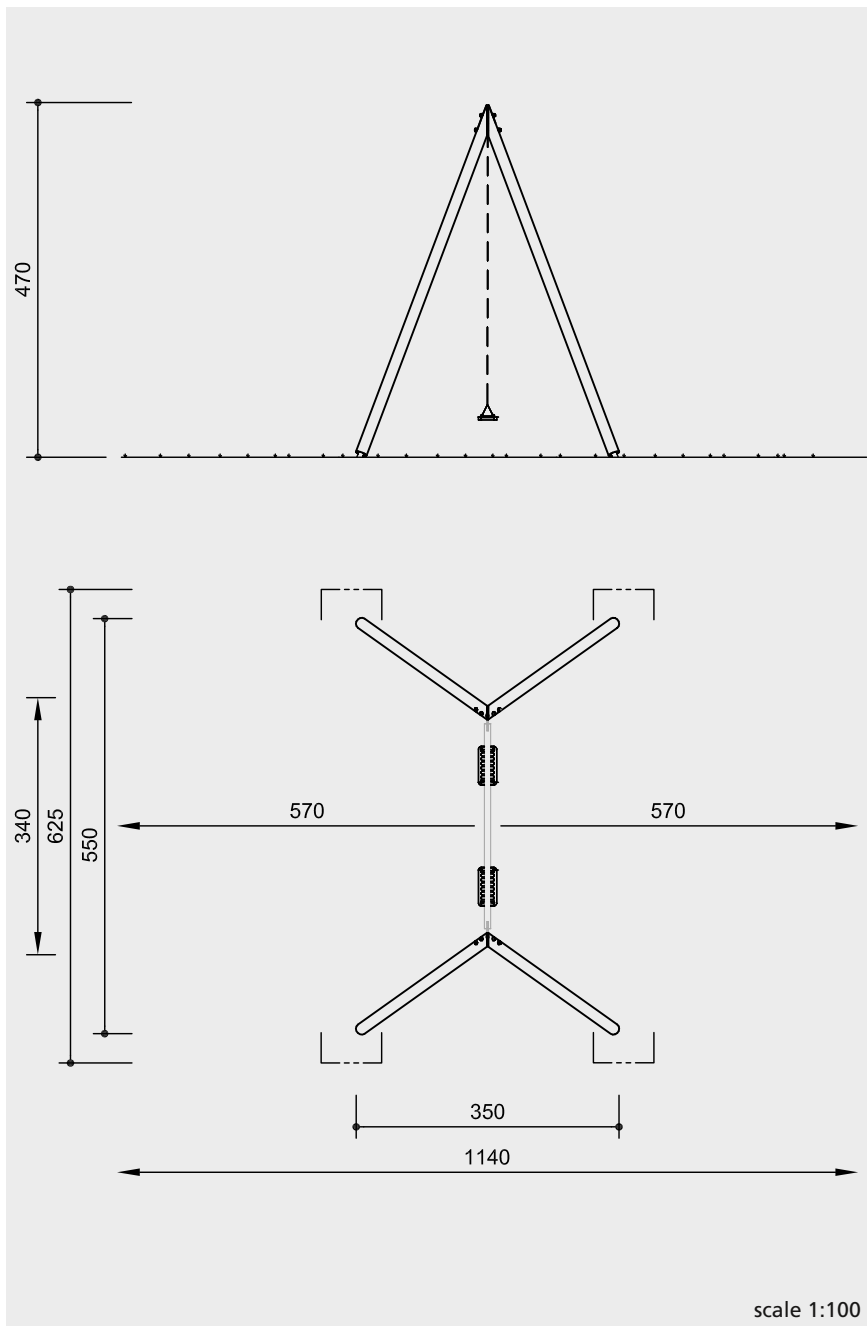
Suitable

- for children from 10 years and young people
- for public playgrounds
- leisure areas
- excursion areas
- open-air swimming pools
- institutions for young people

Extra High Swing special



7.14020



Safety check according to EN 1176

Components

- 1 swing frame with steel feet and cross beam made of steel
- 2 wide swing seats with chains

Installation information

Surfacing requirements corresponding to a fall height of ≤ 3.00 m (please refer to price list for more detailed information)

Foundations
4 items 60 x 80 x 60 cm
excavation depth 80 cm

Attention:
Exact measurements may vary, for all installation dimensions refer to current installation instructions.
Technical changes reserved.

Technical information

equipment of non-impregnated mountain larch

de-barked
de-barked posts, Ø 18 - 21 cm



swing joint
drop-forged and hot-dip galvanised swing joint with bush with graphite sleeve for self-lubrication and integrated swivel



concealed head
large surface for pressure distribution, prevents water from getting inside, protects the bolt head



adjustable
no projecting threads after re-tightening due to two-piece bolt connection and therefore easy to maintain



strong fastening
bolt connections with milled metal rings for connections which are stressed cross-wise



brass bush
for all to and fro movements we use bush bearings which allow for self-lubrication while in use and which can be easily exchanged in case of need



ground anchor
all parts used for anchoring to the ground made of hot-dip galvanised steel



crossbar
of galvanised steel, with rigid corner connection by that smaller foundations are possible



chains
suspended on short-link chains, 6 mm, welded before hot-dip galvanisation (stainless steel chains available on request)



rubber swing seats for adults, 25 x 50 cm

Dimensions

(small deviations possible)

height	4.70 m
vertical clearance	4.45 m
length	5.50 m
width	3.50 m
weight	370 kg

For more detailed explanation of the quality characteristics see price list.



7.14020

Play value

Children love swinging motions and they also love surprises. The artistically designed support posts of this Giraffe Swing are an unexpected idea attracting an enthusiastic reception. Children who don't wish to play, watch from the back of the giraffe or dream about the wide open spaces of Africa. The Giraffe Swing is particularly suited to define play areas as it emphasises the identity of the location. It is an unforgettable experience.



Fundamental characteristics

- play art
- unique and original
- incentive for playing: animal-like shape
- movement: swinging

Giraffe Swing

Suitable

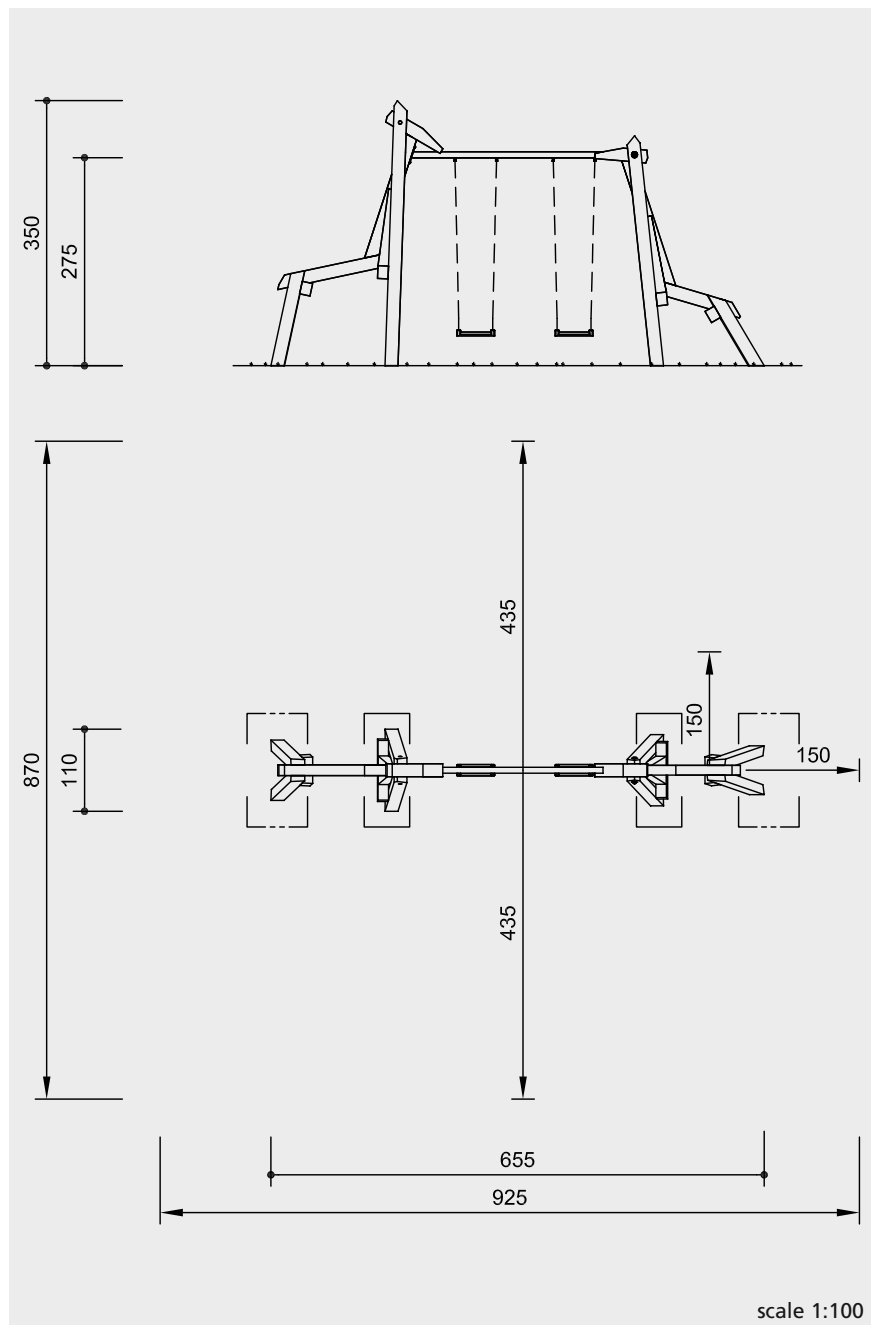
- for children from 3 years
- for public playgrounds
- children's institutions
- leisure areas
- parks

Copyright © Richter Spielgeräte GmbH 10/15

Design F. Schelb



6.00001



Technical information

equipment of oak heartwood

core-free timber
core-free, by that formation of cracks can be reduced



rubber seat
rubber seat with anatomically correct shape, strong profiled steel insert and soft shock absorbing edge



swing joint
drop-forged and hot-dip galvanised joint with bush with graphite sleeve for self-lubrication and integrated swivel



concealed head
large surface for pressure distribution, prevents water from getting inside, protects the bolt head



chains
suspended on short-link chains, 6 mm, welded before hot-dip galvanisation (stainless steel chains available on request)



cross bar of galvanised steel tube

Dimensions
(small deviations possible)

height	3.50 m
vertical clearance	2.75 m
length	6.55 m
width	1.10 m
weight	550 kg

For more detailed explanation of the quality characteristics see price list.

Safety check according to EN 1176

Components

- 1 complete swing frame with 1 large and 1 small giraffe, crossbeam made of metal
- 2 swing seats with chains

Installation information

Surfacing requirements corresponding to a fall height of ≤ 1.50 m (please refer to price list for more detailed information)

Foundations
2 items 80 x 150 x 50 cm excavation depth 80 cm
2 items 60 x 150 x 60 cm excavation depth 80 cm

Attention:
Exact measurements may vary, for all installation dimensions refer to current installation instructions.
Technical changes reserved.



6.00001

Play value

Swinging and rocking are typical movements in the childhood. Children are looking for possibilities to experience this swinging movement. Lying in the Cradle Swing is above all pleasant when a friendly co-player sets the swing in motion from outside. It is special fun if there are several "chicks" in the nest.

Fundamental characteristics

- appealing design
- sturdy construction of round poles
- older children can also use the nest as a swing
- incentive for playing: lying oneself in a nest
- movement: swaying, rocking and swinging

Suitable

- for children from 4 years
- for nurseries
- public playgrounds
- playgrounds situated near houses
- institutions for children with special needs

Barrier-free

- special exercise experience
- with a carer



Order No. 6.14520 Cradle Nest special



Order No. 6.14500 Cradle Nest



Order No. 6.14500 Cradle Nest

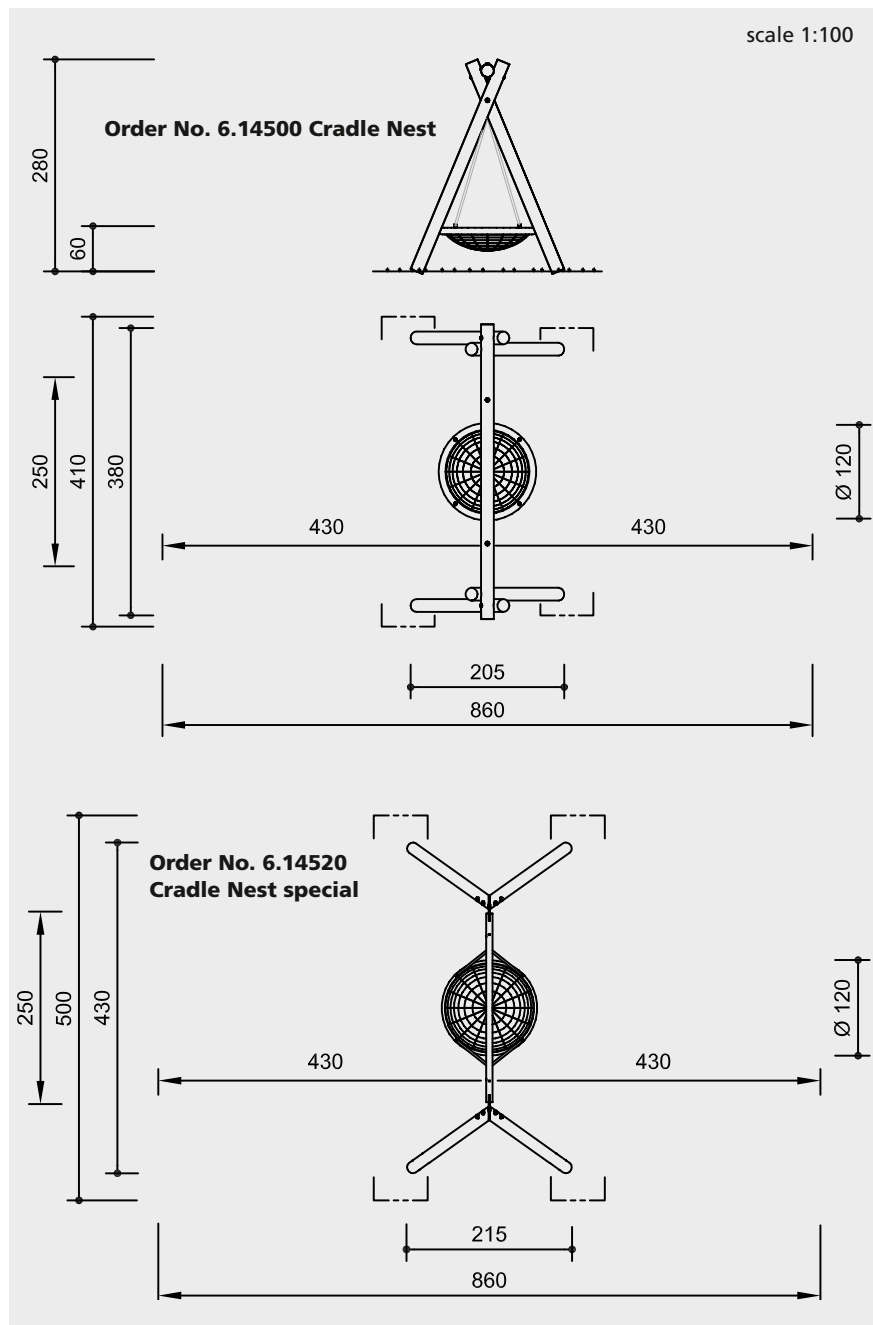
Cradle Nest
Cradle Nest special



6.14500



6.14520



Safety check according to EN 1176

Components

Order No. 6.14500 Cradle Nest

1 swing frame
1 cradle nest suspended on hose-sleeved chains

Order No 6.14520 Cradle Nest special

1 swing frame with steel feet and cross beam made of steel
1 cradle nest suspended on hose-sleeved chains

Installation information

Surfacing requirements corresponding to a fall height of ≤ 1.50 m (please refer to price list for more detailed information)

Foundations
4 items 60 x 70 x 60 cm excavation depth 80 cm

Attention:
Exact measurements may vary, for all installation dimensions refer to current installation instructions.

Technical changes reserved.
Order No. 6.14500 Cradle Nest also available with steel feet.



6.14500



6.14520

Technical information

Order No. 6.14500 Cradle Nest

de-barked
de-barked posts, \varnothing 15 - 18 cm, of spruce/fir, boiler pressure impregnated according to DIN 68800-3, use class 4



perforated
the earth/air zone of the wood is perforated by small bore holes to ensure that the impregnating agent penetrates this particularly endangered zone



universal joint
drop-forged and hot-dip galvanised joint yoke; the universal joint insert consists of two swing bearing, here reinforced workmanship



concealed head
large surface for pressure distribution, prevents water from getting inside, protects the bolt head



adjustable
no projecting threads after re-tightening due to two-piece bolt connection and therefore easy to maintain



strong fastening
bolt connections with milled metal rings for connections which are stressed cross-wise



brass bush
for all to and fro movements we use bush bearings which allow for self-lubrication while in use and which can be easily exchanged in case of need



cradle nest, \varnothing 120 cm, with coloured rope ring (blue or green), basket of recycling rubber-chain-steel cable mat

suspended on 8 mm hose-sleeved chains, hot-dip galvanised

Order No. 6.14520 Cradle Nest special

Description of materials as before, but posts of non-impregnated mountain larch

crossbar
of galvanised steel, with rigid corner connection



ground anchor
all parts used for anchoring to the ground made of hot-dip galvanised steel



Dimensions
(small deviations possible)

Order No.	6.14500	6.14520
height	2.80 m	2.90 m
vertical clearance	2.60 m	2.60 m
width	3.80 m	4.30 m
depth	2.05 m	2.15 m
weight	310 kg	280 kg

For more detailed explanation of the quality characteristics see price list.

Play value

Swings are a basic element for every play world and are highly attractive to people. Rocking and swinging movements have a soothing effect; they release tension and give pleasure. Our Wheelchair Swing takes into account the special needs of those with restricted mobility yet is able to offer the opportunity to experience swinging. Ground-level access to the swing is possible via a ramp. After securely positioning the wheelchair in the gondola, the carer can exit via the rear through a lockable opening.



Copyright © Richter Spielgeräte GmbH 10/15

Design G. Beltzig

A bar to fix the wheelchair in place as well one serving as a parking brake combined with level compensation guarantee an enjoyable swinging experience. The matching Wooden Structure, which is essential for using the equipment, consists of an access ramp, a turning area and a platform adjusted to the swinging radius.

- Barrier-free**
- special exercise experience
 - with a carer

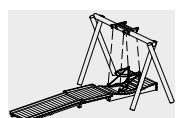
Wheelchair Swing with Wooden Construction

Fundamental characteristics

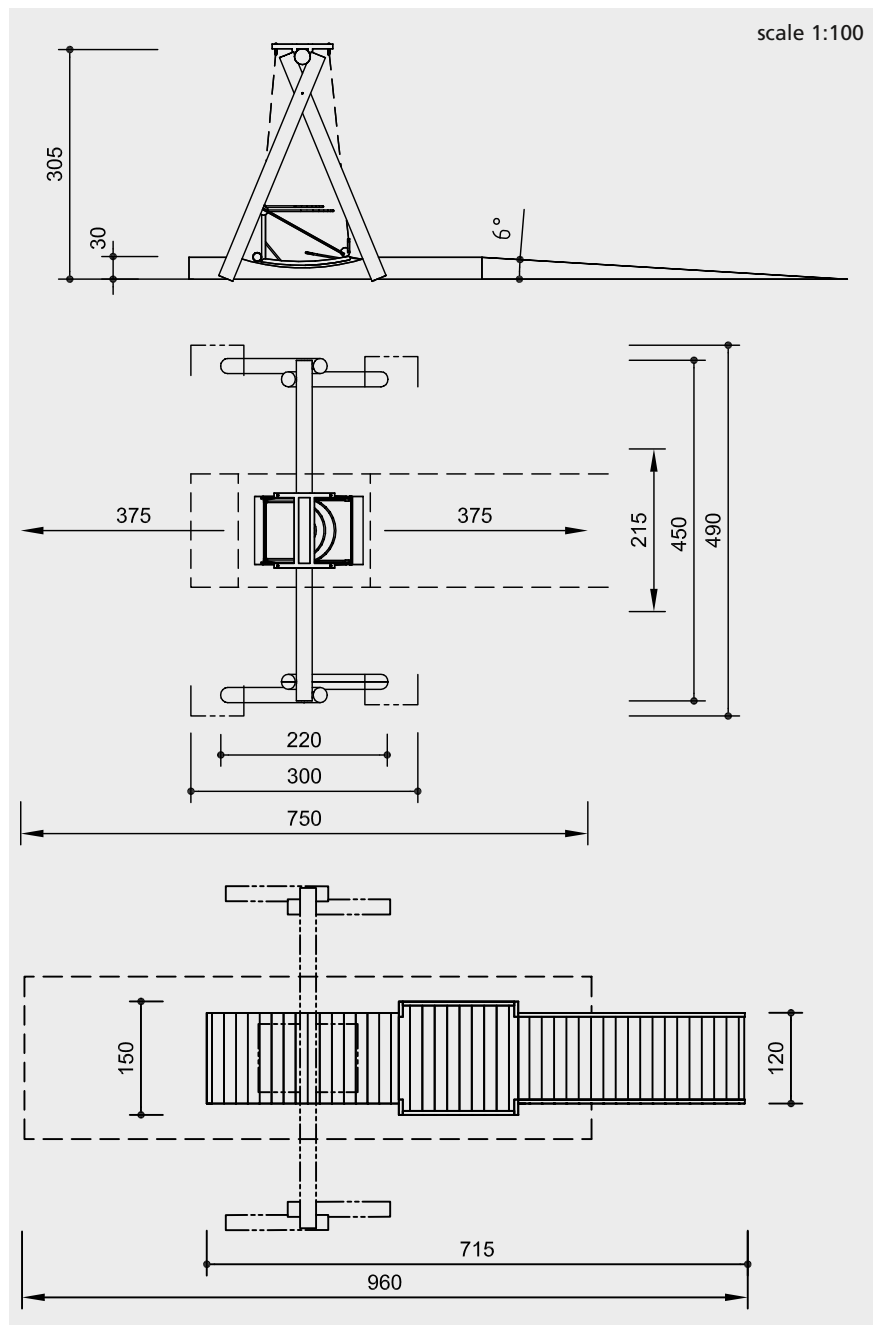
- installation only permitted in a supervised area
- may only be used together with a carer
- gondola can only be activated by the carer
- incentive for playing: rocking, swinging

Suitable

- for wheelchair users
- for schools that cater for special needs
- for rehab centres
- for supervised play areas for people with special needs



6.29110



Safety check according to EN 1176

Components

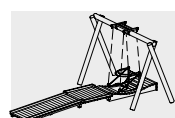
- 1 swing frame
- 1 gondola with chains
- 1 wave-shaped component
- 1 intermediate platform
- 1 ramp
- 8 posts

Installation information

Surfacing requirements
no requirements

Foundations
4 items 60 x 70 x 60 cm
excavation depth 80 cm
12 items 40 x 40 x 40 cm
excavation depth 60 cm

Attention:
Exact measurements may vary; for all installation dimensions refer to current assembly instructions.
Technical changes reserved.
Equipment also available made of larch with steel feet.



6.29110

Technical specifications

wooden construction of non-impregnated mountain larch, anchoring to the ground of oak heartwood

de-barked
de-barked posts, Ø 18 - 21 cm, of spruce/fir, boiler pressure impregnated according to DIN 68800-3, use class 4

perforated
the earth/air zone of the wood is perforated by small bore holes to ensure that the impregnating agent penetrates this particularly endangered zone

core-free timber
sawn timbers core-free, thus decreasing occurrences of cracking

tongue and groove
covering of 40 mm tongue and groove boarding

swing joint
drop-forged, hot-dip galvanised swing joint with bush with graphite sleeve for self-lubrication and integrated swivel

concealed head
large surface for pressure distribution, prevents water from getting inside, protects the bolt head

adjustable
easy to maintain, no projecting threads after re-tightening due to two-piece bolt connection

strong fastening
bolt connections with milled metal rings for connections that are stressed cross-wise

brass bush
for all to and fro movements we use bush bearings which allow for self-lubrication while in use and are easy to exchange if required

chains
suspended on short-link chains 6 mm, welded before hot-dip galvanisation (stainless steel chains available on request)

swing gondola of stainless steel, glass-bead blasted

Dimensions
(small deviations possible)

height	
swing	3.05 m
wooden construction	0.30 m
length	
swing	4.50 m
wooden construction	7.15 m
width	
swing	2.20 m
wooden construction	1.50 m
weight	
swing	505 kg
wooden construction	825 kg



Please refer to the price list for a more detailed explanation of the quality characteristics.

Play value

The Hexagonal Swing provides a high degree of communication in addition to the joy of swinging and swaying. The participants can swing towards each other and watch each other or even touch each other's feet. Jumping off is not possible due to the vertically mounted tyres.



Fundamental characteristics

- interesting wooden construction by naturally shaped posts
- different heights of opposite swings enable soft contact between the participants

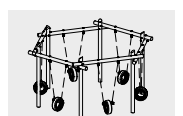
Suitable

- for children from 6 years and young people
- public playgrounds
- school playgrounds
- leisure areas

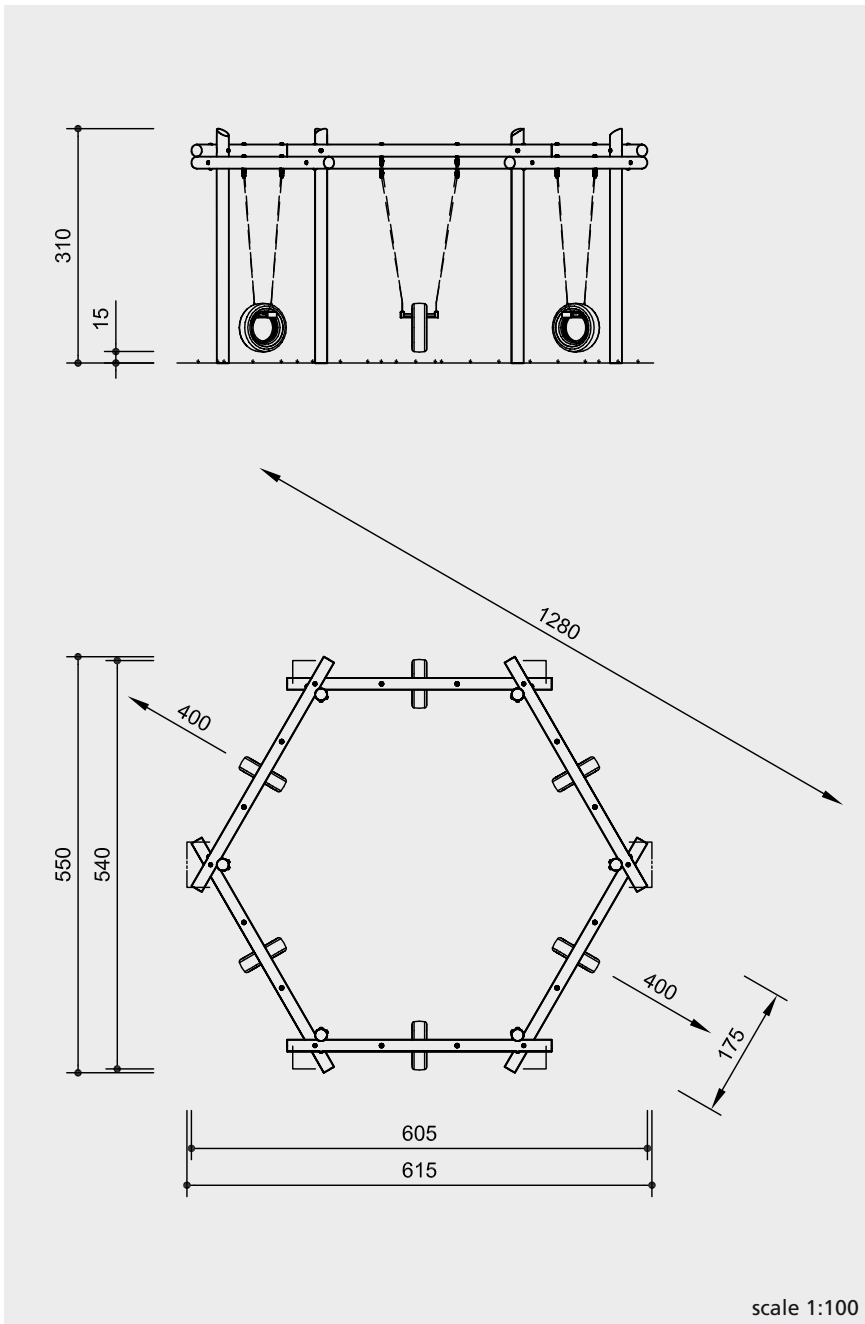
Hexagonal Swing

Copyright © Richter Spielgeräte GmbH 10/15

Design Kinderhilfswerk e. V.



6.17000



scale 1:100

Safety check according to EN 1176

Components

- 1 hexagonal swing frame with cross beams, height 2.75/2.90 m
- 6 rubber swing seats with steel insert with vertical tyres to prevent jumping off

Installation information

Surfacing requirements corresponding to a fall height of ≤ 2.00 m (for more detailed information see price list)

Foundations
6 items 60 x 60 x 60 cm
excavation depth 80 cm

Attention:
Exact measurements may vary, for all installation dimensions refer to current installation instructions.
Technical changes reserved.
Equipment also available with steel feet.

Technical information

de-barked

de-barked posts, Ø 15 - 18 cm, of spruce/fir, boiler pressure impregnated according to DIN 68800-3, use class 4



angle cut

vertical support posts with angle cut in the end grain section as constructive wood preservation



perforated

the earth/air zone of the wood is perforated by small bore holes to ensure that the impregnating agent penetrates this particularly endangered zone



rubber seat

rubber seat with anatomically correct shape, strong profiled steel insert and soft shock absorbing edge



milled-off tyres

vertically mounted milled-off tyres clean, smooth, soft and light



universal joint

drop-forged and hot-dip galvanised joint yoke; the universal joint insert consists of two swing bearings



concealed head

large surface for pressure distribution, prevents water from getting inside, protects the bolt head



adjustable

no projecting threads after re-tightening due to two-piece bolt connection and therefore easy to maintain



strong fastening

bolt connections with milled metal rings for connections which are stressed cross-wise



brass bush

for all to and fro movements we use bush bearings which allow for self-lubrication while in use and which can be easily exchanged in case of need



chains

suspended on short-link chains, 6 mm, welded before hot-dip galvanisation (stainless steel chains available on request)

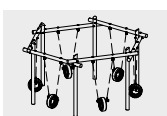


Dimensions

(small deviations possible)

height	3.10 m
vertical clearance	2.75/2.60 m
length	6.05 m
width	5.40 m
weight	700 kg

For more detailed explanation of the quality characteristics see price list.



6.17000

Play value

The Hexagonal Swing provides a high degree of communication in addition to the joy of swinging and swaying. The participants can swing towards each other and watch each other or even touch each other's feet. Jumping off is not possible due to the vertically mounted tyres.



Fundamental characteristics

- interesting wooden construction by naturally shaped posts
- different heights of opposite swings enable soft contact between the participants

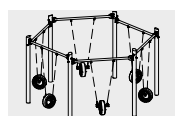
Suitable

- for children from 6 years and young people
- public playgrounds
- school playgrounds
- leisure areas

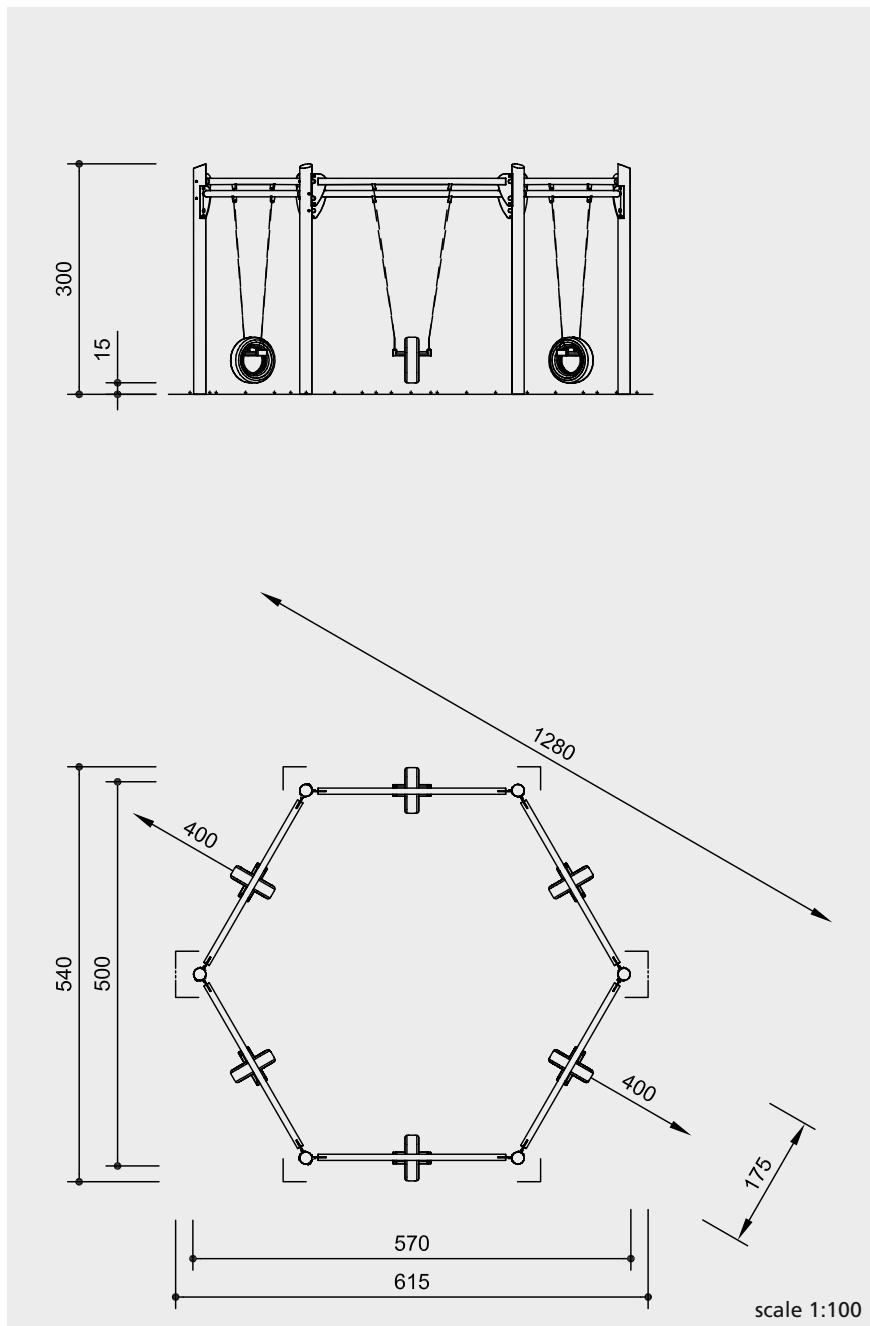
Hexagonal Swing special

© Richter Spielgeräte GmbH 10/15

Design and Copyright



6.17020



Safety check according to EN 1176

Components

- 1 hexagonal swing frame with steel feet and cross beams made of steel
- 6 rubber swing seats with steel insert with vertical tyres to prevent jumping off

Installation information

Surfacing requirements corresponding to a fall height of ≤ 2.00 m (for more detailed information see price list)

Foundations
6 items 60 x 60 x 60 cm
excavation depth 80 cm

Attention:
Exact measurements may vary, for all installation dimensions refer to current installation instructions.
Technical changes reserved.

Technical information

equipment of non-impregnated mountain larch

de-barked
de-barked posts, Ø 18 - 21 cm



angle cut
vertical support posts with angle cut in the end grain section as constructive wood preservation



rubber seat
rubber seat with anatomically correct shape, strong profiled steel insert and soft shock absorbing edge



milled-off tyres
vertically mounted milled-off tyres clean, smooth, soft and light



swing joint
drop-forged and hot-dip galvanised swing joint with bush with graphite sleeve for self-lubrication and integrated swivel



concealed head
large surface for pressure distribution, prevents water from getting inside, protects the bolt head



strong fastening
bolt connections with milled metal rings for connections which are stressed cross-wise



brass bush
for all to and fro movements we use bush bearings which allow for self-lubrication while in use and which can be easily exchanged in case of need



ground anchor
all parts used for anchoring to the ground made of hot-dip galvanised steel



cross beam made of steel
of galvanised steel, with rigid corner connection

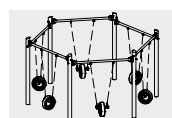


chains
suspended on short-link chains, 6 mm, welded before hot-dip galvanisation (stainless steel chains available on request)



Dimensions
(small deviations possible)

height	3.00 m
vertical clearance	2.75/2.60 m
length	5.70 m
width	5.00 m
weight	650 kg



6.17020

For more detailed explanation of the quality characteristics see price list.

Function and Play value

Swing fun is a truly noble pleasure - swinging and swaying, rocking and hanging and bouncing are all possible on the Queen Swing. Three cross-ropes with pendulum tyres suspended from joints are lightly spanned between the mobile-mounted central pole. The variably tensing ropes react with the swing and rocking movements to make the whole swing fun possible. If the pole tops are additionally fitted with mobiles and wind vanes, the movement is transferred into the air above and watching becomes a pleasure in itself.



This picture shows the version made of larch Order No. L7.68000.

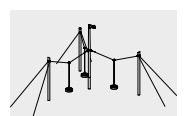
Fundamental characteristics

- unique and original
- by the rope construction and the mobile-mounted central pole, the three swing suspensions influence each other; they can intensify or reduce the movement
- the pole foot prevents total failure of the construction, should one of the parts fail
- incentive for playing: suspended tyres
- movement: swinging, swaying, body coordination

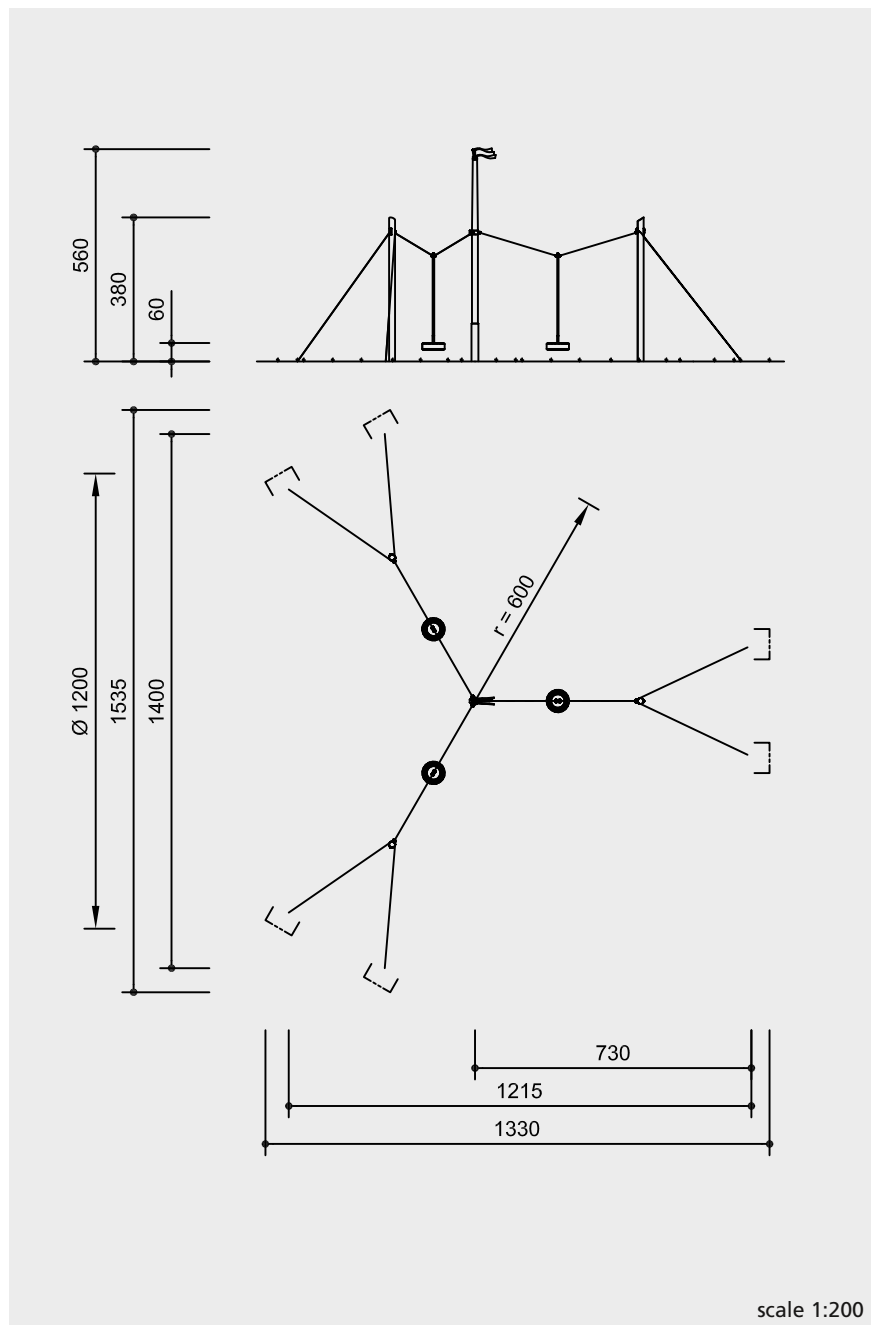
Suitable

- for children from 6 years and young people
- for public playgrounds
- for youth areas of leisure areas outdoor swimming pools
- for youth centres

Queen Swing



7.68000



Safety check according to EN 1176 and „safety in another way“

Components

- 3 outer poles with tensioning ropes
- 1 central pole with 4 flags and two-part pole foot
- 3 pendulum tyres with hose-sleeved grip bars with swing ropes

Installation information

Surfacing requirements corresponding to a fall height of ≤ 2.00 m (please refer to price list for more detailed information)

Foundations

- 1 item 80 x 80 x 80 cm excavation depth 100 cm
- 6 items 80 x 80 x 60 cm excavation depth 100 cm
- 3 items 80 x 80 x 60 cm excavation depth 80 cm

Attention:

Exact measurements may vary, for all installation dimensions refer to current installation instructions.
 Technical changes reserved.
Outer poles also available with steel feet or made of larch with steel feet.



7.68000

Technical information

de-barked posts

de-barked posts, Ø 15 - 18 cm, of spruce/fir, boiler pressure impregnated according to DIN 68800-3, use class 4



angle cut

vertical support posts with angle cut in the end grain section as constructive wood preservation



perforated

the earth/air zone of the wood is perforated by small bore holes to ensure that the impregnating agent penetrates this particularly endangered zone



larch plywood

swing platforms of three-layer water-proof plywood of larch, 30 mm



milled-off tyres

pendulum tyres made of milled-off tyre segments to make the elements clean, smooth, soft and light



Corocord® rope

special ropes of "Hercules type"

guy ropes of six-strand Corocord® rope of the special "Hercules type", abrasion protected through heating of the six steel strands and melting the polyamide sleeve onto them, standard colour red



aluminium swages

double-conical aluminium swages with rounded-off ends



universal joint

suspension on the poles as well as on the grip-bars with drop-forged and hot-dip galvanised joint yoke; the universal joint insert consists of two swing bearings, here reinforced workmanship



double rope connection

the double rope connection is an effective and durable construction for complicated swing and swivel motion



brass bush

for all to and fro movements we use bush bearings which allow for self-lubrication while in use and which can be easily exchanged in case of need



pendulum tyres suspended on hose-sleeved grip bars

four differently coloured flags of weatherproof PVC-fabric

central pole mobile-mounted in two-part, hot-dip galvanised pole foot

Dimensions

(small deviations possible)

- height of central pole 5.60 m
- height of outer poles 3.80 m
- weight 630 kg

For more detailed explanation of the quality characteristics see price list.

Play value

The seat and standing surface is composed of tyres and offers up to ten children seating and a secure hold. The hanging element is additionally mounted in bearings attached to an intermediate plate. This enables even small children to swing using their own body weight and it is also possible to rock and swing in circular fashion. The appealing diversity of movement requires skill and coordination of weight and counter weight. Children, adolescents and adults can gradually learn how to use the full range of the equipment's movement.



Copyright © Richter Spielgeräte GmbH 10/15

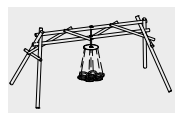
Fundamental characteristics

- unique and original
- the huge construction enables coordinated play of a group of people at the same time
- diverse play experiences
- incentive for playing: huge carrying construction
- movement: swinging, swaying, circling, see-sawing, body coordination

Suitable

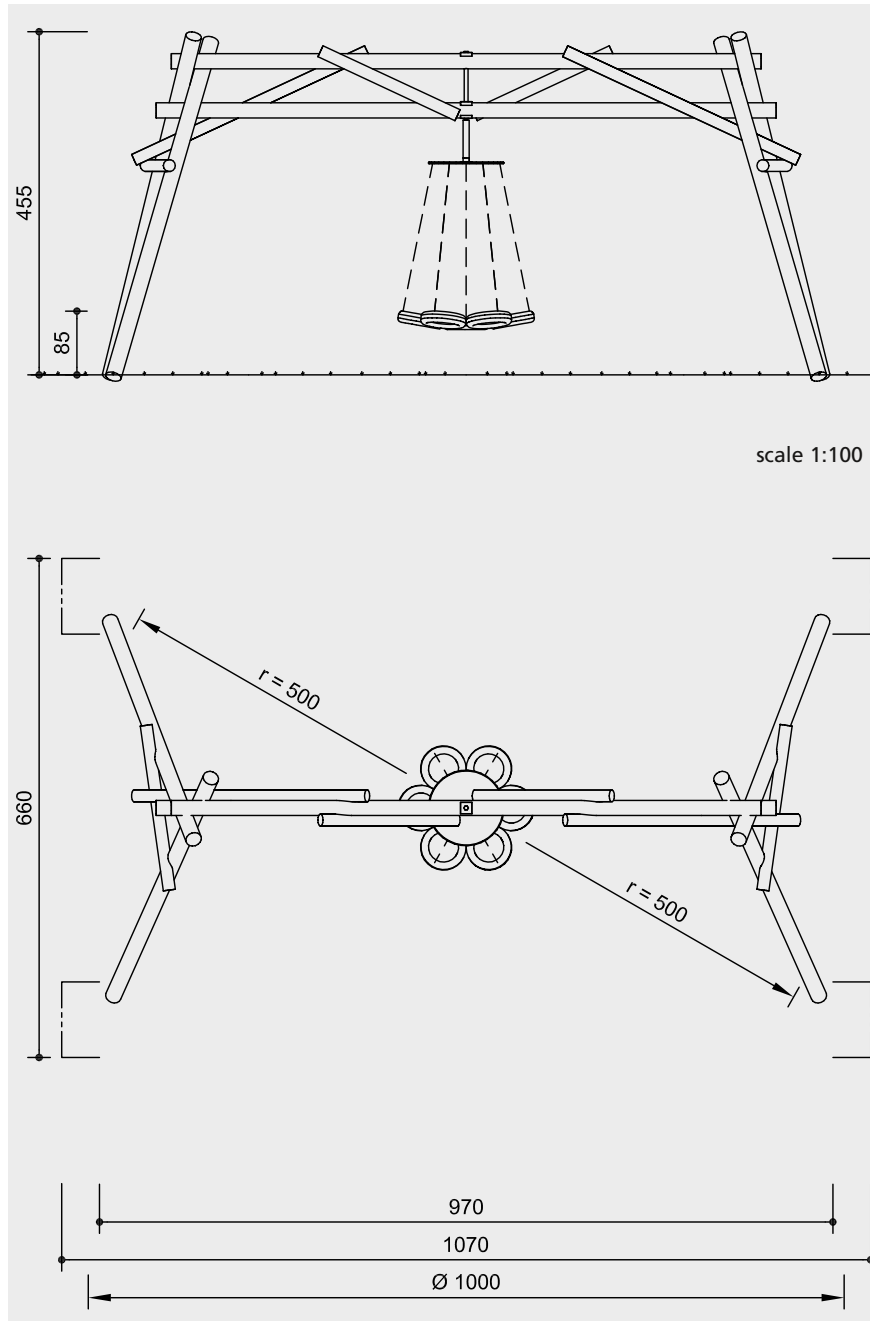
- for children from 8 years and young people
- for public playgrounds
- children's homes
- leisure areas
- outdoor swimming pools
- institutions for young people

See-Saw-Carousel-Swing



7.52000

Design P. Hannes



Safety check according to EN 1176 and „safety in another way“

Technical information

de-barked posts

de-barked posts, Ø 18 - 21 cm, of spruce/fir, boiler pressure impregnated according to DIN 68800-3, use class 4



perforated

the earth/air zone of the wood is perforated by small bore holes to ensure that the impregnating agent penetrates this particularly endangered zone



milled-off tyres

milled-off tyres, clean, smooth, soft and light, connected to a swing platform



concealed head

large surface for pressure distribution, prevents water from getting inside, protects the bolt head



adjustable

no projecting threads after re-tightening due to two-piece bolt connection and therefore easy to maintain



strong fastening

bolt connections with milled metal rings for connections which are stressed cross-wise



steel reinforced rubber belt

standing surface of two way steel armoured rubber belt, almost indestructible, reinforced with hot-dip galvanised metal braces



chains

suspended on short-link chains, 7 mm, welded before hot-dip galvanisation (stainless steel chains available on request)



hot-dip galvanised steel plate with fixed joint yokes; the universal joint insert consists of two swing bearings

2 inter-rotating universal joints with 90° range, 2 roller bearings for rotational movement, painted; additionally secured with 2 galvanised steel cables

For more detailed explanation of the quality characteristics see price list.

Components

- 1 swing frame with framework beams
- 1 swing attachment consisting of:
 - 1 swing platform with 7 connected tyres
 - 1 steel plate with screwed-on, double universal joint with safety cable and 7 chains fixed on universal joints

Installation information

Surfacing requirements corresponding to a fall height of ≤ 2.00 m (please refer to price list for more detailed information)

Foundations
4 items 100 x 100 x 80 cm
excavation depth 100 cm

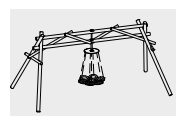
Attention:

Exact measurements may vary, for all installation dimensions refer to current installation instructions.
Technical changes reserved.
Equipment also available with steel feet or made of larch with steel feet.

Dimensions

(small deviations possible)

height	4.55 m
length	9.70 m
width	5.15 m
weight	1500 kg



7.52000

Function and Play value

A milled-off half tyre with a wooden floor insert acts as a swinging platform and is attached to a universal joint, with additional ball-bearings to create rotary motion. This piece of equipment is not only for the fun of jumping on and off and swinging together - it also serves as an incentive for children to get to know each other and to learn how to get on with one another. As the chains are shorter in this equipment than in the Tractor Tyre Swing, less strength is required so that younger children can also play with it.

Fundamental characteristics

- one-point suspension allows for a multitude of different movements
- incentive for playing: cantilever arm with chain suspension
- movement: swinging, swaying, turning, jumping on and off, physical effort

Suitable

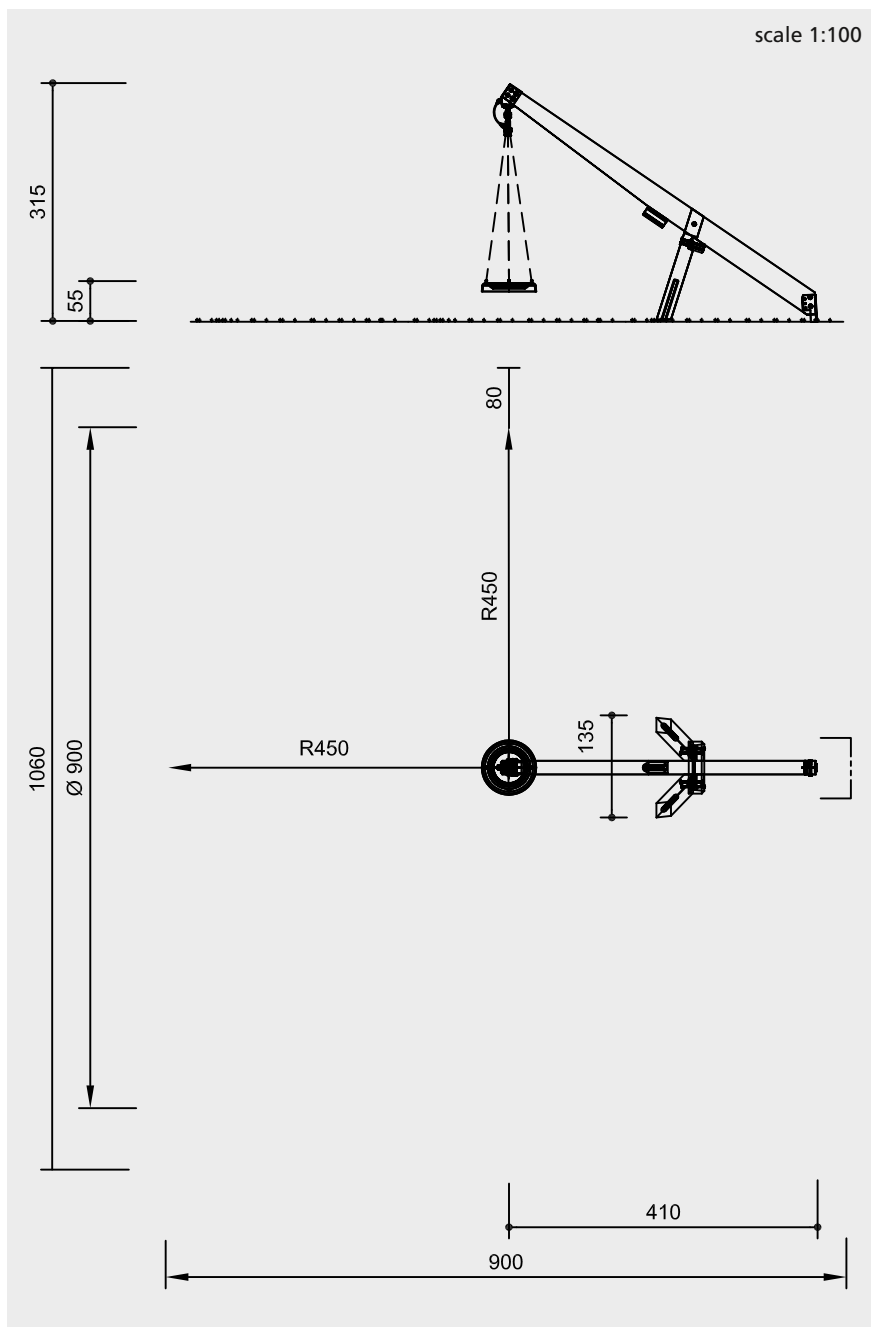
- for children from 5 years
- for public playgrounds
- playgrounds situated near houses
- children's homes
- leisure areas
- outdoor swimming pools



Car Tyre Swing



6.18460



Safety check according to EN 1176

Components

- 1 carrying beam with ground anchor
- 1 A-frame with steel feet
- 1 suspension consisting of:
 - 1 milled-off half tyre with floor and 4 chains
 - 1 universal joint with safety cable

Installation information

Surfacing requirements corresponding to a fall height of ≤ 2.00 m (please refer to price list for more detailed information)

- Foundations
- 1 item 80 x 80 x 60 cm excavation depth 80 cm
 - 2 items 60 x 60 x 60 cm excavation depth 80 cm

Attention:
Exact measurements may vary, for all installation dimensions refer to current installation instructions.
 Technical changes reserved.

Technical information

equipment of non-impregnated mountain larch

laminated beams
 laminated beams, glued according to DIN 1052



larch plywood
 swing platform of three-layer waterproof plywood of larch, 30 mm



impact absorbing
 swing platform covered in milled-off half-tyre for impact absorption, 4 suspensions held with a metal ring



concealed head
 large surface for pressure distribution, prevents water from getting inside, protects the bolt head



adjustable
 no projecting threads after re-tightening due to two-piece bolt connection and therefore easy to maintain



strong fastening
 bolt connections with milled metal rings for connections which are stressed cross-wise



ground anchor
 all parts used for anchoring to the ground made of hot-dip galvanised steel



chains
 suspended on short-link chains, 7 mm, welded before hot-dip galvanisation (stainless steel chains available on request)



rubber buffer at the carrying beam for impact absorption

fastenings hot-dip galvanised

universal joint for swing movement with 90° range, 2 roller bearings for rotational movement, lacquered, additionally secured with galvanised steel cable

Dimensions

(small deviations possible)

height	3.15 m
carrying beam	length 5.05 m cross-section 18/30 cm tapering to 18/18 cm
trestle	cross-section 18/18 cm
tyre	diameter 1.00 m
weight	250 kg

For more detailed explanation of the quality characteristics see price list.



6.18460

Play value

This swing is attached only at one point and can therefore move freely in every direction, enabling all kinds of swinging and turning games. The long swing chains make this piece of equipment interesting for young people. In their normal environment, they seldom find a satisfactory outlet for their natural energies. This big swing is designed to help meet that requirement. To set the swing in motion requires strength and skill. This equipment can be used to help even the most energetic of children let off steam, thereby avoiding these energies being directed on more negative activities.



© Richter Spielgeräte GmbH 10/15

Design and Copyright

Fundamental characteristics

- one-point suspension allows for a multitude of different movements
- equipment height is challenging for young people
- incentive for playing: cantilever arm with chain suspension
- movement: swinging, turning, swaying, jumping on and off, physical effort

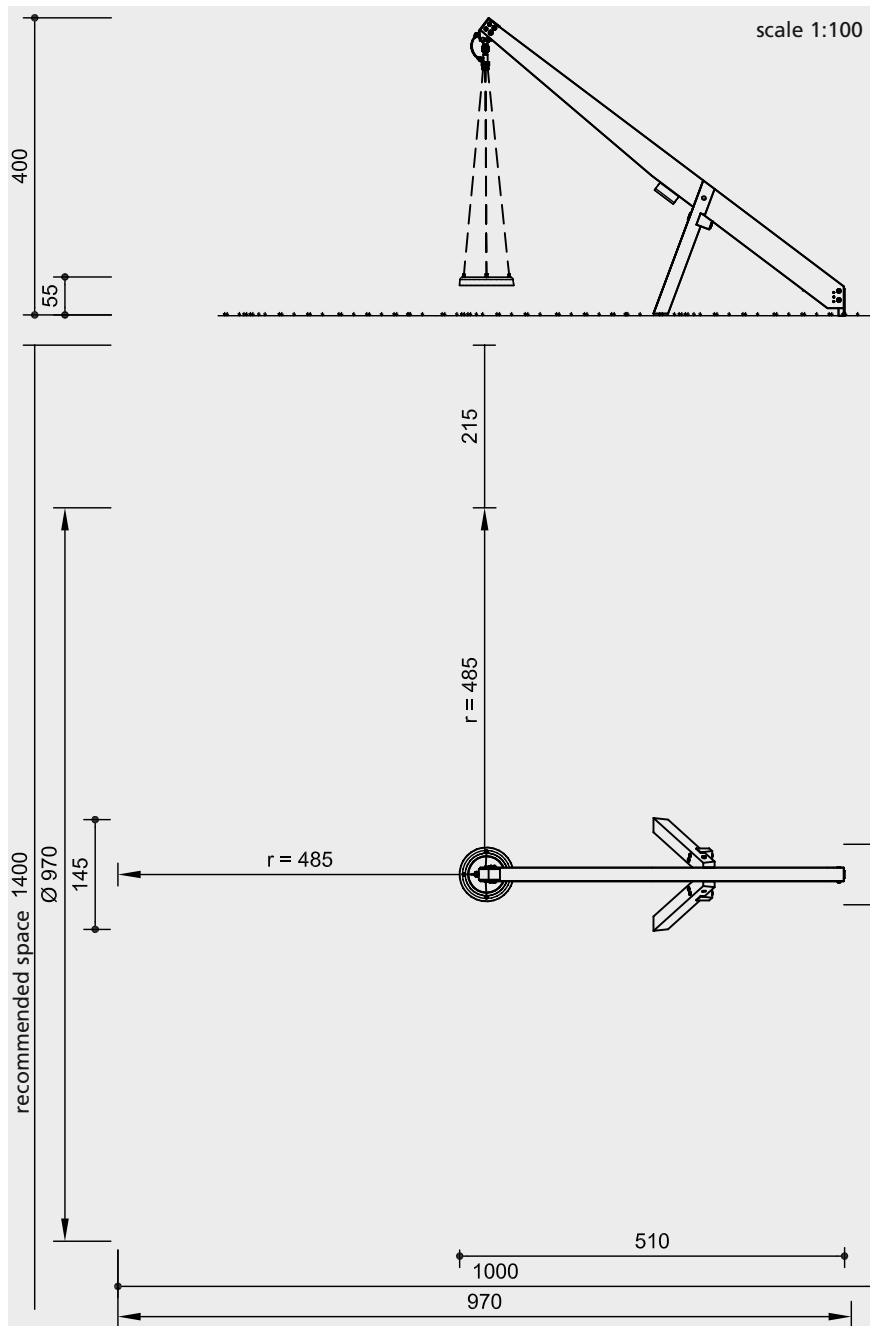
Suitable

- for children from 6 years and young people
- for public playgrounds
- children's homes
- leisure areas
- outdoor swimming pools

Tractor Tyre Swing



7.45000



Safety check according to EN 1176

Technical information

equipment of non-impregnated mountain larch

laminated beams

laminated beams, glued according to DIN 1052



larch plywood

swing platform of three-layer waterproof plywood of larch, 30 mm



impact absorbing

swing platform covered in milled-off half-tyre for impact absorption, four suspensions held with a metal ring



concealed head

large surface for pressure distribution, prevents water from getting inside, protects the bolt head



adjustable

no projecting threads after re-tightening due to two-piece bolt connection and therefore easy to maintain



strong fastening

bolt connections with milled metal rings for connections which are stressed cross-wise



ground anchor

all parts used for anchoring to the ground made of hot-dip galvanised steel



chains

suspended on short-link chains, 7 mm, welded before hot-dip galvanisation (stainless steel chains available on request)



rubber buffer at the carrying beam for impact absorption

fastenings hot-dip galvanised

universal joint for swing movement with 90° range, 2 roller bearings for rotational movement, lacquered, additionally secured with galvanised steel cable

Components

- 1 carrying beam with ground anchor
- 1 A-frame with steel feet
- 1 suspension consisting of:
 - 1 milled-off half tyre with floor and 4 chains
 - 1 universal joint with safety cable

Installation information

Surfacing requirements corresponding to a fall height of ≤ 3.00 m (please refer to price list for more detailed information)

- Foundations**
- 1 item 80 x 80 x 60 cm excavation depth 80 cm
 - 2 items 60 x 60 x 60 cm excavation depth 80 cm

Attention:
Exact measurements may vary, for all installation dimensions refer to current installation instructions.
 Technical changes reserved.

Dimensions

(small deviations possible)

height	4.00 m
carrying beam, length	6.05 m
cross-section	18/36 cm
tapering to	18/18 cm
trestle diameter	18/18 cm
tyre diameter	1.00 m
weight	300 kg

For more detailed explanation of the quality characteristics see price list.



7.45000

Function and Play value

The inclined masts mounted on moving joints are connected to each other at the top ropes and are balanced by long tensioners. The horizontal sway beams are each suspended centrally from the connection ropes of the masts in such a way that they affect each other's movement. The size of the equipment generates broad, smooth movements. Many people can swing, sway, hang or dare each other to upset the balance of the other.



Order No. L7.73000 made of larch

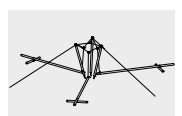
Fundamental characteristics

- unique and original
- can be used by many children at the same time
- incentive for playing: attractive eye-catcher
- movement: swinging, swaying, balancing

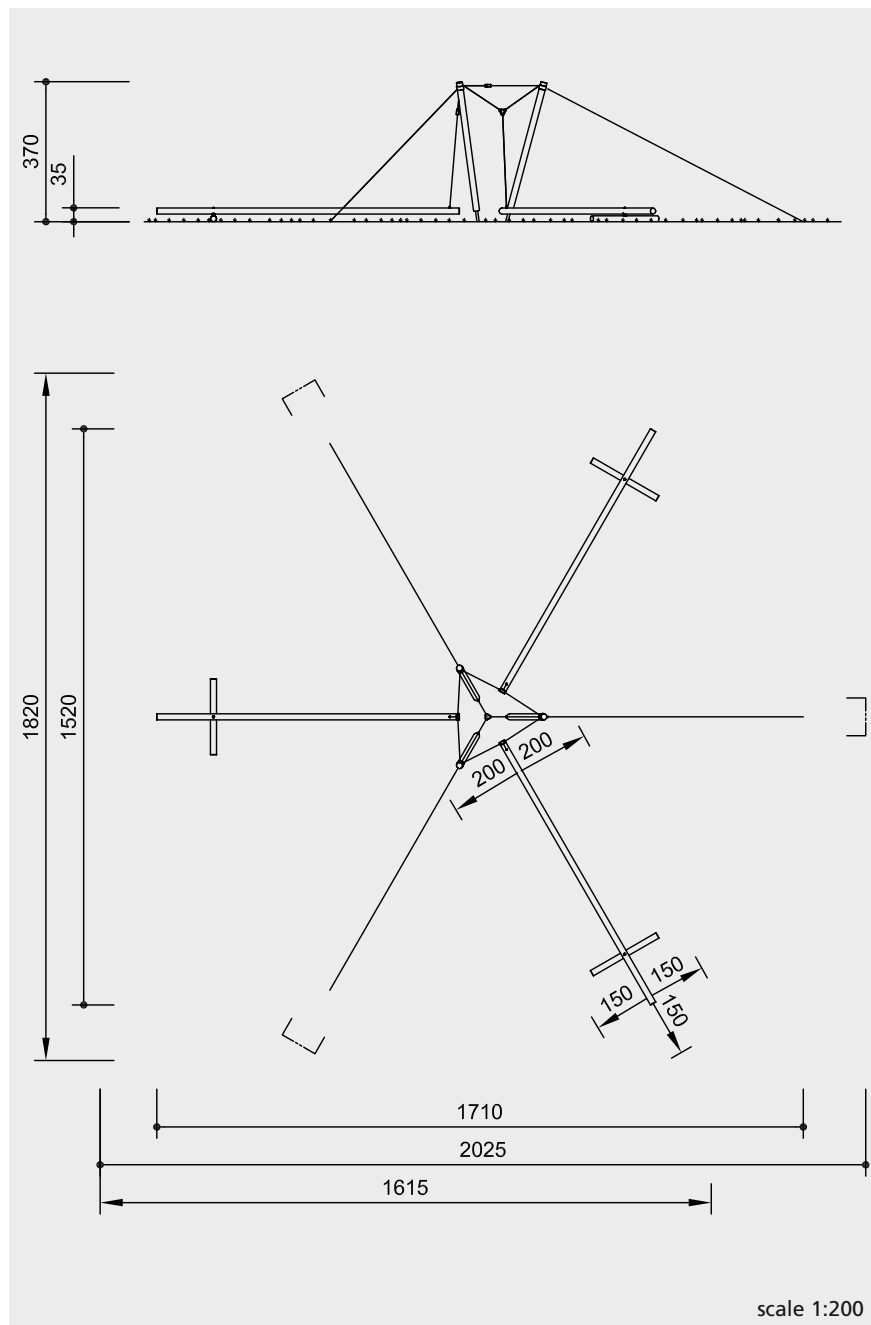
Suitable

- for children from 6 years and young people
- for public playgrounds
- school playgrounds
- parks
- excursion areas

Triple Beam Swing



7.73000



Safety check according to EN 1176

Components

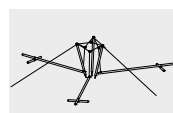
- 3 swinging beams
- 3 inclined poles including all necessary ropes and joints
- 3 bearings for swinging beams
- 1 foundation frame

Installation information

Surfacing requirements corresponding to a fall height of ≤ 1.00 m (please refer to price list for more detailed information)

- Foundations
- 6 items 50 x 50 x 40 cm excavation depth 60 cm
 - 3 items 100 x 100 x 70 cm excavation depth 110 cm
 - 1 item 120 x 120 x 50 cm excavation depth 70 cm

Attention:
Exact measurements may vary, for all installation dimensions refer to current installation instructions.
 Technical changes reserved.



7.73000

Technical information

de-barked posts

de-barked posts, \varnothing 18 - 21 cm, of spruce/fir, boiler pressure impregnated according to DIN 68800-3, use class 4



Corocord® rope

special ropes of "Hercules type"
 all ropes of 19 mm six-strand Corocord® rope of the special "Hercules type", abrasion protected through heating of the six steel strands and melting the polyamide sleeve onto them, guy ropes with turnbuckles, standard colour red



aluminium swages

double-conical aluminium swages with rounded-off ends



universal joint

drop-forged and hot-dip galvanised joint yoke; the universal joint insert consists of two swing bearings



rope connection with joint

close fitting connection without dangerous openings; the bearing consists of one brass bush



double rope connection

the double rope connection is an effective and durable construction for complicated swing and swivel motion



concealed head

large surface for pressure distribution, prevents water from getting inside, protects the bolt head



adjustable

no projecting threads after re-tightening due to two-piece bolt connection and therefore easy maintain



ground anchor

all parts used for anchoring to the ground made of hot-dip galvanised steel



all fittings hot-dip galvanised

base plate with 3 welded on ball bearings for the support posts, hot-dip galvanised, anchorage with foundation frame

Dimensions

(small deviations possible)

- poles, height 3.70 m
- swinging beam, length 8.00 m
- weight 1100 kg

For more detailed explanation of the quality characteristics see price list.

Play value

The Tarzan Rope is suspended from a curved, laminated beam. It is not always possible for children and teenagers to fulfill their natural need for exercise in their environment. Therefore, the activities offered by the Tarzan Rope, such as swinging back and forth, moving hand over hand and daringly jumping off, are very popular activities. For reasons of security, this equipment requires special ground modelling. If this is not possible, we recommend the version with the pendulum seat.

Fundamental characteristics

- curved laminated beam
- exercise activity: swinging back and forth

Suitable

- for children from 6 years and young people
- for public playgrounds
leisure areas
outdoor swimming pools
parks
youth centres



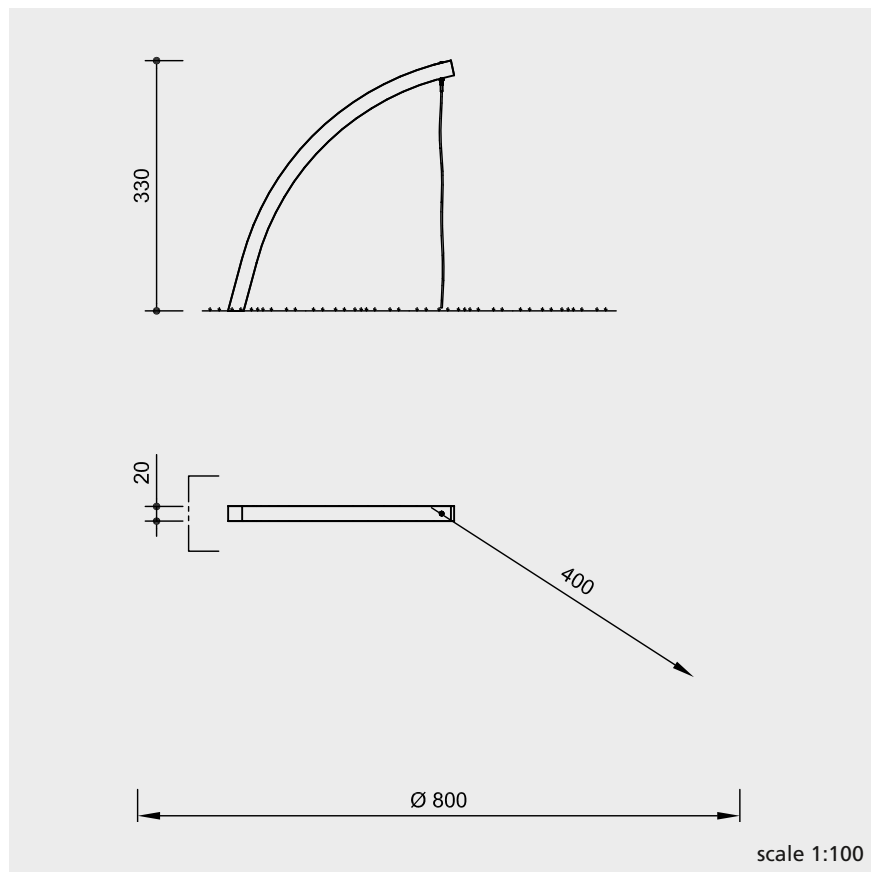
Tarzan Rope
Tarzan Rope with pendulum seat



7.64200



7.64300



Safety check according to EN 1176

Components

1 curved, laminated beam (waterproof) with rope or pendulum seat

Installation information

Surfacing requirements corresponding to a fall height of ≤ 2.00 m (please refer to price list for more detailed information)

Foundations
1 item 100 x 100 x 80 cm
excavation depth 100 cm

Attention:
Exact measurements may vary, for all installation dimensions refer to current installation instructions.
Technical changes reserved.
Equipment also available with steel foot.

Technical information

equipment of spruce/fir

laminated

beam of laminated wood, glued according to DIN 1052



universal joint

drop-forged and hot-dip galvanised joint yoke; the universal joint insert consists of two swing bearings



concealed head

large surface for pressure distribution, prevents water from getting inside, protects the bolt head



brass bush

for all to and fro movements we use bush bearings which allow for self-lubrication while in use and which can be easily exchanged in case of need



Order No. 7.64200

Tarzan Rope

Corocord® rope

special ropes of "Hercules type"
rope of 22 mm six-strand Corocord® rope of the special "Hercules type", abrasion-protected through heating of the six steel strands and melting the polyamide sleeve onto them, standard colour rainbow



aluminium swages

double-conical aluminium swages with rounded-off ends



rope connection rotating

close fitting connection without dangerous openings; with integrated swivel; the bearing consists of one brass bush



Order No. 7.64300

Tarzan Rope with pendulum seat

pendulum seat

large surface, made of rubber with a soft protecting edge and profiled steel insert



chains

suspended from short-link chains, 6 mm, welded before hot-dip galvanisation (stainless steel chain available on request)

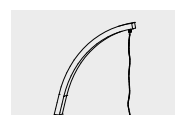


Dimensions

(small deviations possible)

height 3.30 m
beam cross section 20/20 cm
weight 100 kg

For more detailed explanation of the quality characteristics see price list.



7.64200



7.64300

Play value

The Swing Rope Equipment consists of a steel cable spanned horizontally between two high posts. Attached to the cable are three ropes for swinging. Because of the way the apparatus is made, swinging movements on one rope affect swinging movements on an adjacent rope, thus paving the way for games of a competitive and cooperative nature. The Swing Rope Equipment needs to be installed on particularly contoured ground. If this is not possible, we recommend the **Partner Pendulum Order No. 7.67000**.

Fundamental characteristics

- The long swing ropes are connected by a horizontal steel cable and thus affect each other.
- incentive for playing: unusual suspension
- movement: swinging, swaying, hanging, jumping off

Suitable

- for children from 6 years and young people
- for public playgrounds
- areas for young people
- leisure areas
- sports grounds
- open-air swimming pools



The standard colour of the ropes is red.

Swing Rope Equipment
Swing Rope Equipment with pendulum seats

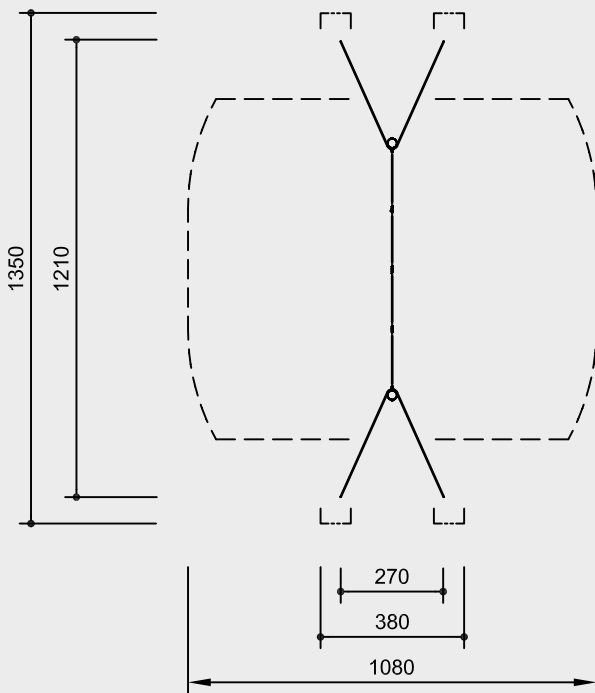
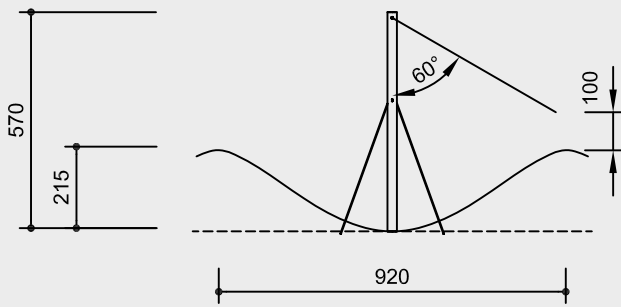


7.65000



7.65500

scale 1:200



Safety check according to EN 1176 and „safety in another way“

Components

Order No. 7.65000

- 2 poles
- 2 tensioning ropes
- 1 rope suspension with 3 swing ropes, suspended on rotating universal joints

Order No. 7.65500

- 2 poles
- 2 tensioning ropes
- 1 rope suspension with 3 pendulum seats at chains, suspended on rotating universal joints

Installation information

Surfacing requirements corresponding to a fall height of ≤ 1.50 m when the ground is levelled in the recommended way

Foundations
 2 items 100 x 100 x 100 cm excavation depth 120 cm
 4 items 80 x 80 x 60 cm excavation depth 100 cm

Attention:
Exact measurements may vary, for all installation dimensions refer to current installation instructions.

Technical changes reserved.



7.65000



7.65500

Technical information

de-barked posts

de-barked posts, \varnothing 22 - 25 cm, of spruce/fir, boiler pressure impregnated according to DIN 68800-3, use class 4



angle cut

vertical support posts with angle cut in the end grain section as constructive wood preservation



perforated

the earth/air zone of the wood is perforated by small bore holes to ensure that the impregnating agent penetrates this particularly endangered zone



Fürstenberg Permador System

In particular cases such as equipment with a single support and with climbing forest posts we additionally use the patented Fürstenberg Permador System



Corocord® rope

special ropes of "Hercules type"

ropes of six-strand Corocord® rope, of the special "Hercules type", abrasion protected through heating of the six steel strands and melting the polyamide sleeve onto them, standard colour red



aluminium swages

double-conical aluminium swages with rounded-off ends



universal joint

drop-forged and hot-dip galvanised joint yoke; the universal joint insert consists of two swing bearings



rope connection rotating

close fitting connection without dangerous openings, with integrated swivel, the bearing consists of one brass bush



double rope connection

the double rope connection is an effective and durable construction for complicated swing and swivel motion



brass bush

for all to and fro movements we use bush bearings which allow for self-lubrication while in use and which can be easily exchanged in case of need



Order No. 7.65500 with pendulum seats

pendulum seat

with large rubber surface, with a soft, protecting edge and steel insert



chains

suspended on short-link chains, welded before hot-dip galvanisation (stainless steel chains available on request)



Dimensions

(small deviations possible)

Order No.	7.65000	7.65500
height	5.70 m	5.70 m
width, including tensioning ropes	12.10 m	12.10 m
length of swing ropes	4.40 m	4.30 m
weight	440 kg	450 kg

For more detailed explanation of the quality characteristics see price list.

Play value

The six pendulum seats are fastened to a steel ring that is suspended by means of spokes made from ropes so it can freely move and rotate. The Ring Scales are suited for symmetric play arrangements where the children can try to find their balance when there are two, three, four or six of them. Thanks to the fact that the movement of the ring is limited by the „spokes“, the swinging action never stops abruptly. The Ring Scales encourage contact and communication.

Fundamental characteristics

- unique and original
- spoke ropes of the ring enable smooth rocking
- thanks to rotating mechanism all kinds of rotating and rocking games possible
- incentive for playing: ring, suspended ropes
- exercise activity: swinging, rotating, rocking, up and down

Suitable

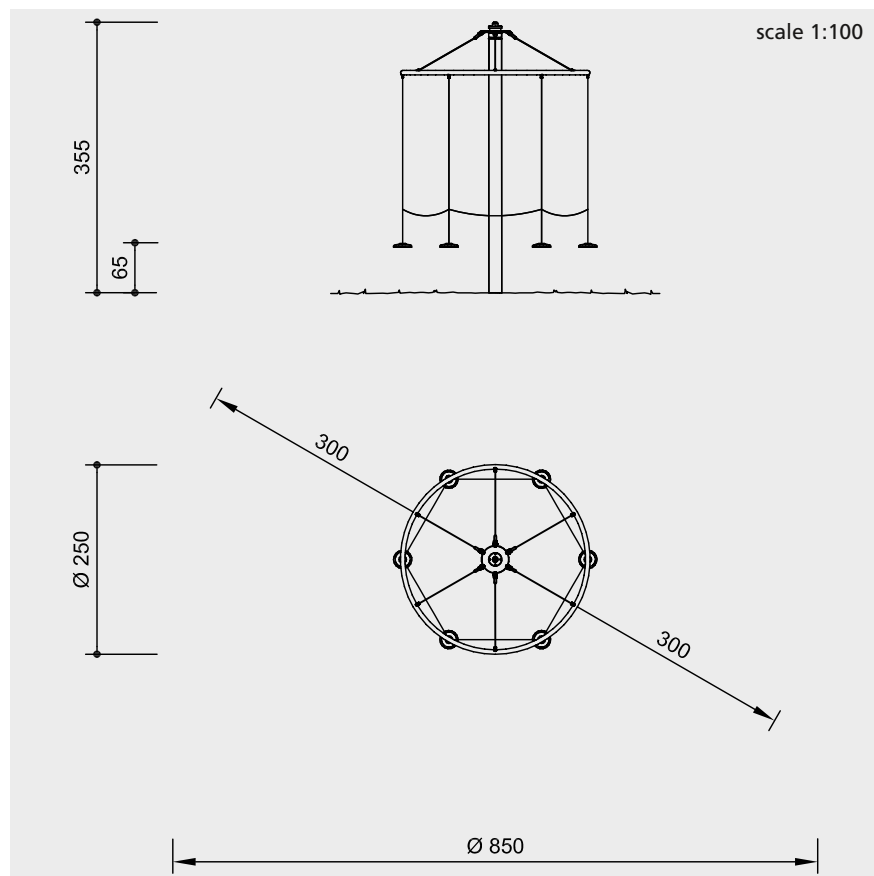
- for children from 6 years
- for public playgrounds
- leisure areas
- open-air swimming pools



Ring Scales



6.10300



safety check according to EN 1176

Components

- 1 mast with mast top and 6 spoke ropes
- 1 ring with 6 seats and ropes

Installation information

Surfacing requirements corresponding to a fall height of ≤ 1.50 m (please refer to price list for more detailed information)

Foundations
1 item 120 x 120 x 100 cm
excavation depth 120 cm

Attention:
Exact measurements may vary; for all installation dimensions refer to current assembly instructions.
Technical changes reserved.

Technical information

total construction of hot-dip galvanised steel

pendulum seat
large rubber surface, with a soft protective edge and profiled steel insert



Corocord® rope
special ropes of "Hercules type"
ropes made of six-strand Corocord® rope of the special "Hercules type", abrasion-protected through heating of the six steel strands and melting the polyamide sleeve onto them, standard colour blue



aluminium swages
double-conical aluminium swages with rounded-off ends



S-clamps
neatly rounded Corocord® S-clamps made of stainless steel, \varnothing 8 mm



universal joint
fork: drop-forged, hot-dip galvanised joint yoke; the universal joint insert consists of two swing bearings



rope connection rotating
close fitting connection without dangerous openings, with integrated swivel, the bearing consists of one brass bush



brass bush
for all to and fro movements we use sintered metal bearings which allow for self-lubrication while in use and are easy to exchange if required



ground anchor
all parts used for anchoring to the ground made of hot-dip galvanised steel



ball bearings
pivoting mechanism with 2 low-maintenance ball bearings



Dimensions
(small deviations possible)

height	3.55 m
diameter	2.50 m
wall thickness of tubes	
mast	178 x 5 mm
ring	60 x 4 mm
weight	240 kg

Please refer to the price list for a more detailed explanation of the quality characteristics.



6.10300

Function and Play value

The Partner Pendulum is the playful and physical embodiment of the laws of cause and effect. The pendulum motions of the partners are interdependent. If one pendulum is set in motion while the other is still, then the latter also begins to move; and vice versa. Synchronised swinging extends the effect and the play becomes more energetic as a result. The rope geometry also allows interchangeable hopping of the partners on the pendulum swings.



These pictures show the version made of larch Order No. L7.67000.

Fundamental characteristics

- unique and original
- pendulum tyres on holding poles, suspended on a rope, enable a special swinging experience
- incentive for playing: interesting suspension construction
- movement: physical effort, swinging, swaying

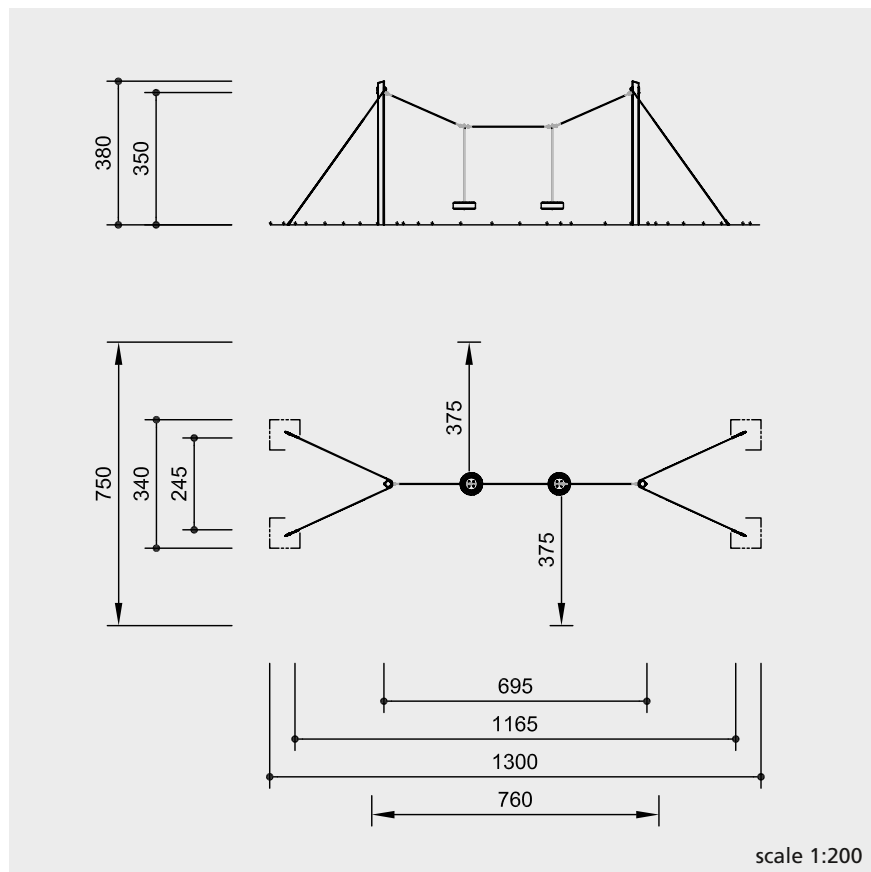
Suitable

- for children from 6 years and young people
- for public playgrounds
- leisure areas
- sports grounds
- outdoor swimming pools

Partner Pendulum



7.67000



Safety check according to EN 1176 and „safety in another way“

Components

- 2 support posts with tensioning ropes
- 2 pendulum tyres on holding poles with swing ropes

Installation information

Surfacing requirements corresponding to a fall height of ≤ 2.00 m (please refer to price list for more detailed information)

- Foundations**
- 2 items 80 x 80 x 60 cm excavation depth 80 cm
 - 4 items 80 x 80 x 60 cm excavation depth 100 cm

Attention:
Exact measurements may vary, for all installation dimensions refer to current installation instructions.
 Technical changes reserved.
Equipment also available with steel feet or made of larch with steel feet.

Technical information

de-barked posts
 de-barked posts, Ø 15 - 18 cm, of spruce/fir, boiler pressure impregnated according to DIN 68800-3, use class 4



angle cut
 vertical support posts with angle cut in the end grain section as constructive wood preservation



perforated
 the earth/air zone of the wood is perforated by small bore holes to ensure that the impregnating agent penetrates this particularly endangered zone



larch plywood
 swing platform of three-layer waterproof plywood of larch, 30 mm



milled-off tyres
 milled-off tyres to make the elements clean, smooth, soft and light



Corocord® rope
special ropes of "Hercules type"
 ropes of six-strand Corocord® rope of the special "Hercules type", abrasion protected through heating of the six steel strands and melting the polyamide sleeve onto them, standard colour red



aluminium swages
 double-conical aluminium swages with rounded-off ends



universal joint
 rope suspensions on the posts as well as on the grip bars with drop-forged and hot-dip galvanised joint yokes; the universal joint insert consists of two swing bearings, here reinforced workmanship



double rope connection
 the double rope connection is an effective and durable construction for complicated swing and swivel motion



brass bush
 for all to and fro movements we use bush bearings which allow for self-lubrication while in use and which can be easily exchanged in case of need



pendulum tyres suspended on sleeved grip bars

Dimensions
 (small deviations possible)

height	3.80 m
length	11.65 m
width	2.45 m
weight	200 kg

For more detailed explanation of the quality characteristics see price list.



7.67000

Play value

This friendly swing equipment is especially fun for two. Children can swing each other and talk in relaxed pose, almost like in a hammock. More energetic swinging is also possible however, and the unusual lying posture when swinging, increases the pleasure. Thanks to additional transverse webs made from rope, the Double Hammock Seat is also suitable for use in nursery schools. The Quadro Hammock Seat is an amusing alternative offering the possibility of additional play opportunities.



Fundamental characteristics

- unique and original
- by the special geometry, furious swinging is not possible
- incentive for playing: relaxed position
- movement: swaying, swinging

**Double Hammock Seat
Quadro Hammock Seat**

Suitable

- for children from 4 years
- for public playgrounds
children's institutions
school playgrounds
sport and leisure areas

Copyright © Richter Spielgeräte GmbH 10/15

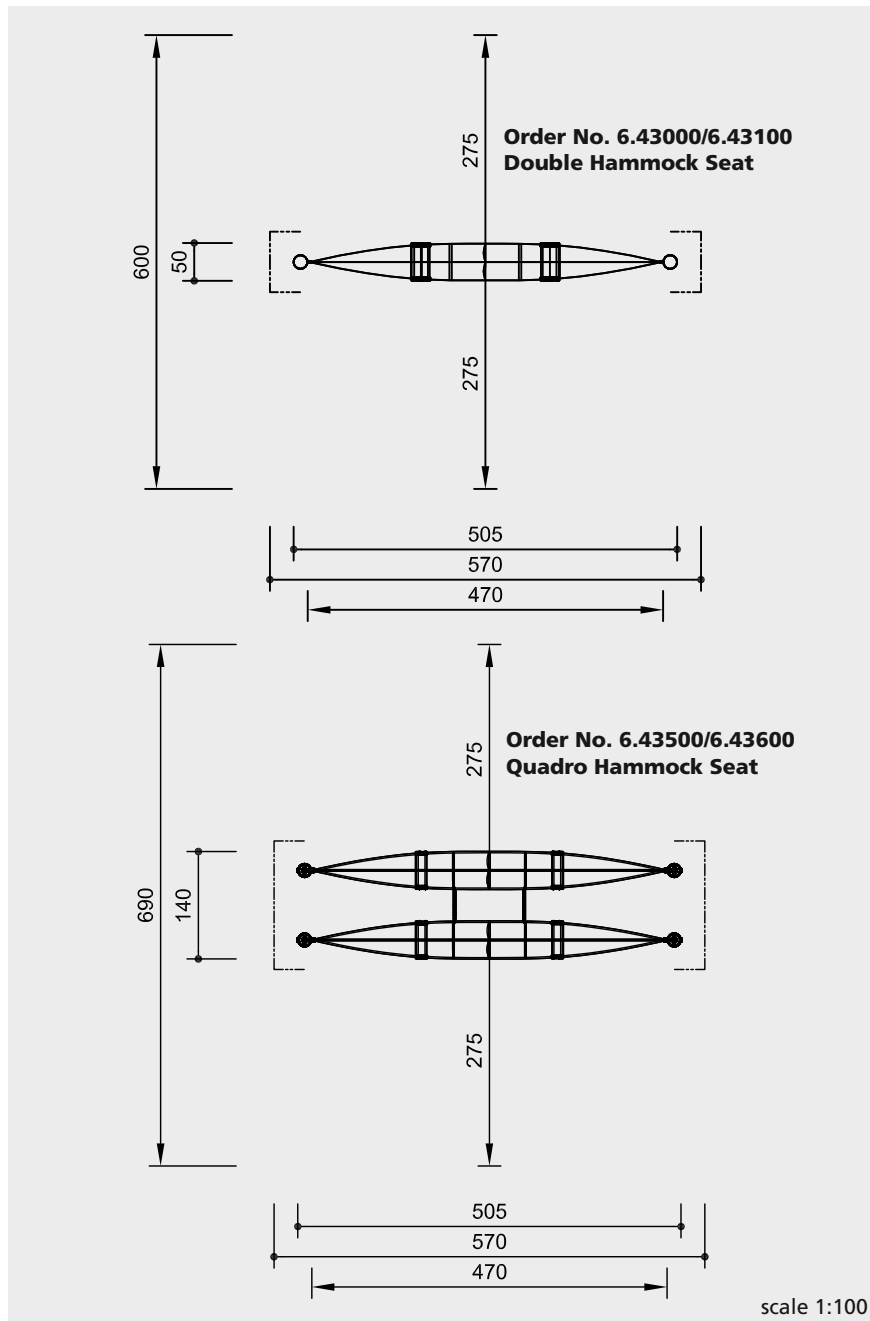
Design G. Thüre



6.43000/6.43100



6.43500/6.43600



Safety check according to EN 1176

Components

**Order No. 6.43000/6.43100
Double Hammock Seat**

2 support posts
1 rope structure with 2 integrated swing seats (**Order No. 6.43100** with smaller mesh size, suited for smaller children)

**Order No. 6.43500/6.43600
Quadro Hammock Seat**

4 support posts
2 connected rope structures with each 2 integrated swing seats (**Order No. 6.43600** with smaller mesh size, suited for smaller children)

Installation information

Surfacing requirements corresponding to a fall height of ≤ 1.00 m (please refer to price list for more detailed information)

Foundations
Order No. 6.43000/6.43100
2 items 80 x 80 x 60 cm
excavation depth 80 cm
Order No. 6.43500/6.43600
2 items 80 x 170 x 60 cm
excavation depth 80 cm

Attention:
Exact measurements may vary, for all installation dimensions refer to current installation instructions.
Technical changes reserved.
Equipment also available with steel feet.



6.43000/6.43100



6.43500/6.43600

Technical information

de-barked

de-barked posts, Ø 18 - 21 cm, of spruce/fir, boiler pressure impregnated according to DIN 68800-3, use class 4



angle cut

vertical support posts with angle cut in the end grain section as constructive wood preservation



perforated

the earth/air zone of the wood is perforated by small bore holes to ensure that the impregnating agent penetrates this particularly endangered zone



Corocord®rope

special ropes of "Hercules type"
rope structure of six-strand Corocord® rope of the special "Hercules type", abrasion protected through heating of the six steel strands and melting the polyamide sleeve onto them, standard colour red



aluminium swages

double-conical aluminium swages with rounded-off ends



S-clamps

neatly rounded Corocord®S-clamps made of stainless steel, Ø 8 mm



rubber seat

2 or 4 integrated rubber seats with anatomically correct shape, strong profiled steel insert and soft shock absorbing edge



universal joint

drop-forged and hot-dip galvanised joint yoke; the universal joint insert consists of two swing bearings



adjustable

no projecting threads after re-tightening due to two-piece bolt connection and therefore easy to maintain



brass bush

for all to and fro movements we use bush bearings which allow for self-lubrication while in use and which can be easily exchanged in case of need



Dimensions

(small deviations possible)

Order No.	6.43000	6.43500
height	2.35 m	2.35 m
length	5.05 m	5.05 m
width	0.50 m	1.40 m
weight	145 kg	300 kg

For Double Hammock Seat for soft grounds please refer to **Order No. 6.43050** and for Quadro Hammock Seat for soft grounds please refer to **Order No. 6.43550** in the price list.

For more detailed explanation of the quality characteristics see price list.

Play value

This engaging yet simple construction offers little acrobats manifold opportunities for play. Swinging and swaying, balancing, hanging and forward rolls are all possible. Physical skill, courage and creativity can develop here or it is possible to simply sit suspended on the pendulum seats. The Small Acrobat Rig is as suited to individuals as larger play groups.



Fundamental characteristics

- unique and original
- versatile and surprising movements
- incentive for playing: suspended ropes and pendulum seats
- movement: swinging, spinning, balancing, hanging

Small Acrobat Rig

Suitable

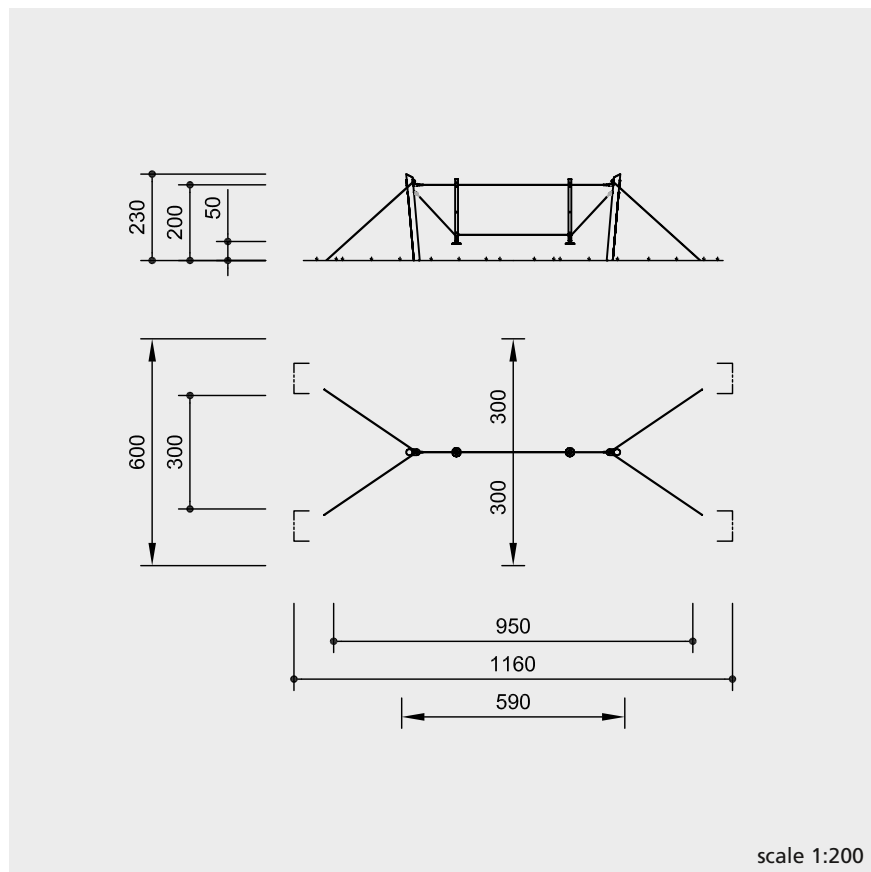
- for children from 5 years
- for public playgrounds
- leisure areas
- school playgrounds
- outdoor swimming pools

Copyright © Richter Spielgeräte GmbH 10/15

Design P. Hannes



7.66000



Safety check according to EN 1176

Components

- 2 rope-tensioned support posts
- 2 round poles with fixed pendulum seats, mounted on horizontal ropes which are suspended on rotating joints

Installation information

Surfacing requirements corresponding to a fall height of ≤ 1.50 m (please refer to price list for more detailed information)

- Foundations**
- 2 items 80 x 80 x 60 cm excavation depth 80 cm
 - 4 items 80 x 80 x 60 cm excavation depth 100 cm

Attention:
Exact measurements may vary, for all installation dimensions refer to current installation instructions.
 Technical changes reserved.
Equipment also available with steel feet or made of larch with steel feet.



7.66000

Technical information

de-barked posts
 de-barked posts, Ø 15 - 18 cm, of spruce/fir, boiler pressure impregnated according to DIN 68800-3, use class 4



angle cut
 vertical support posts with angle cut in the end grain section as constructive wood preservation



perforated
 the earth/air zone of the wood is perforated by small bore holes to ensure that the impregnating agent penetrates this particularly endangered zone



core-free timber
 round poles of non-impregnated mountain larch, core-free, by that formation of cracks can be reduced



pendulum seat
 with large rubber surface, with a soft, protecting edge and steel insert



Corocord® rope special ropes of "Hercules type"
 six-strand Corocord® rope of the special "Hercules type", abrasion protected through heating of the six steel strands and melting the polyamide sleeve onto them, standard colour red



aluminium swages
 double-conical aluminium swages with rounded-off ends



universal joint
 drop-forged and hot-dip galvanised joint yoke; the universal joint insert consists of two swing bearings



rope connection ball joint
 this rope connection with a ball joint prevents the unravelling and thus rapid wear of ropes subjected to stress



concealed head
 large surface for pressure distribution, prevents water from getting inside, protects the bolt head



adjustable
 no projecting threads after re-tightening due to two-piece bolt connection and therefore easy to maintain



brass bush
 for all to and fro movements we use bush bearings which allow for self-lubrication while in use and which can be easily exchanged in case of need



Dimensions
 (small deviations possible)

height	2.30 m
length	9.50 m
width	3.00 m
weight	150 kg

For more detailed explanation of the quality characteristics see price list.

D Movement



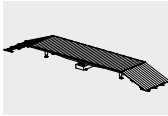
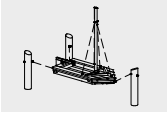
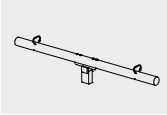
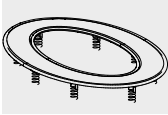

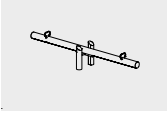
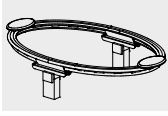

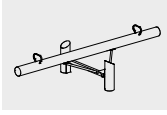
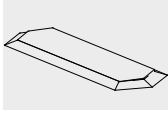
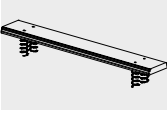
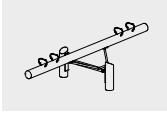
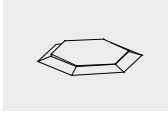
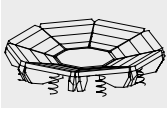
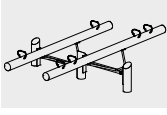
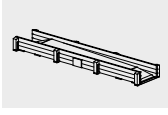
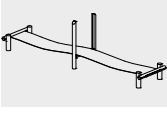

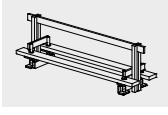
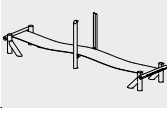

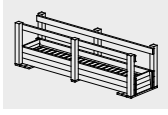


- 1 Cableways
- 2 Turning
- 3 Swinging · swaying · rocking
- 4 Jumping · see-sawing · wobbling
- 5 Balancing
- 6 Sliding
- 7 Climbing
- 8 Free-standing bridges

4

It appears to be a basic need of children to change the position of their body in a playful way. If this change happens by an unexpected, unforeseeable movement of the play equipment or the co-player, and if this is connected with a certain risk, then they have special fun. The play value of some elements is increased by the experience of different heights or by the need for cooperation.

See-sawing and wobbling unconsciously convey information about weight, loads and height through play.

D 4 Jumping · see-sawing · wobbling

Order No. Item	page	Order No. Item	page	Order No. Item	page
					
6.03200/6.03201 Sailing Boat with Flag	387	6.11700 Small See-Saw	401	6.70000 Big See-Saw Platform	413
					
6.03210 Sailing Boat	387	6.11000 See-Saw with Shock Absorber	403	6.11800 Springing Circle	415
					
6.06000 Jumping Disc	389	6.11500 See-Saw	403	6.11900 Circular See-Saw	415
					
6.04000 Rocker	391	6.11600 Beam See-Saw	405	6.30000 Rocking Plate	417
					
6.05000 Totter Beam	393	6.11610 Double See-Saw	405	6.31000 Hexagonal Rocking Plate	417
					
6.06500 Bouncing Flower	395	6.11620 Twin See-Saw	405	6.75010 Wheelchair See-Saw	419
					
6.64700 Belt Path	397	6.10100 Cross Scales	407	6.52200 Rocking Plank	421
					
6.64800 Belt Path with Bracing	397	6.10000 Scales	409	6.52300 Totter Path	421
					
6.08000 Rocking Ship	399	6.10200 Swing Scales	411		

Play value

Even landlubbers want to go to sea on our Sailing Boat. Just as in real life, young explorers can rock on the "waves". All the more with someone standing at the mast to make sure that there is a strong wind blowing. A sailor with less courage can sit next to the tiller and maintain the course. Even when there is a violent storm, the passengers don't fall off because they can hold on tight everywhere. The Sailing Boat encourages numerous activities and role-playing games.



Order No 6.03200 Sailing Boat with Stand Posts of Robinia



Order No 6.03200 Sailing Boat with Stand Posts of Robinia

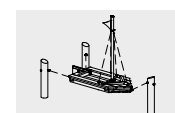
Fundamental characteristics

- unique and original
- the three-point suspension evokes the illusion of being on a sailing boat
- incentive for playing: shape, mast guy
- exercise activity: moving one's centre of gravity, rocking, swinging

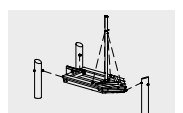
Suitable

- for children from 3 years of age
- for kindergartens
- children's day care centres
- children's homes
- playgrounds situated near houses
- public playgrounds
- outdoor swimming pools

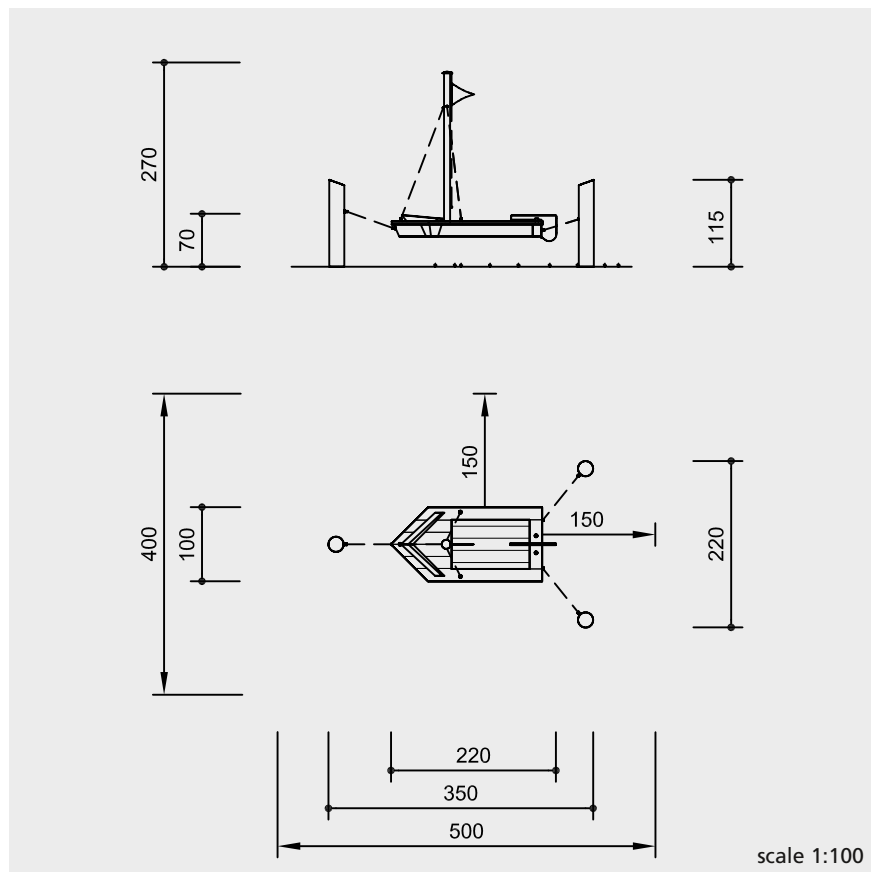
Sailing Boat
Sailing Boat with Flag



6.03200/6.03201



6.03210



safety check according to EN 1176

Components

Order No. 6.03200

Sailing Boat with Flag
1 ship with mast and tiller
3 stand posts of robinia
1 hoistable flag

Order No. 6.03201

Sailing Boat with Flag
as above but with stand posts
made of galvanised steel tube
Ø 178 mm

Order No. 6.03210

Sailing Boat
1 ship with mast and tiller
3 stand posts of robinia

Installation information

Surfacing requirements
corresponding to a fall height of ≤ 1.00 m
(please refer to price list for more
detailed information)

Foundations
3 items 80 x 80 x 80 cm
excavation depth 100 cm

Attention:
Exact measurements may vary;
for all installation dimensions refer
to current assembly instructions.

Technical changes reserved.

For use in chlorinated water, the
stand posts are also available with
a special steel alloy.

Technical information

all pieces of equipment made of non-
impregnated mountain larch

de-barked posts

de-barked posts, Ø 18 - 21 cm, of
robinia



angle cut

vertical stand posts with angle cut in
the end grain section as constructive
wood preservation



core-free timber

sawn timbers core-free, thus
decreasing occurrences of cracking



tongue and groove

deck and floor made of 40 mm tongue
and groove boarding



universal joint

suspended on 8 mm chains and swivels
from drop-forged, hot-dip-galvanised
joint yokes; the universal joint insert
consists of two swing bearings, self
lubricating



concealed head

large surface for pressure distribution,
prevents water from getting inside,
protects the bolt head



adjustable

easy to maintain, no projecting threads
after re-tightening due to two-piece
bolt connection



brass bush

for all to and fro movements we use
bush bearings, which allow for self-
lubrication while in use and are easy to
exchange if required



chains

boat suspended on short-link chains,
7 mm, welded before hot-dip
galvanisation; mast guys suspended on
short-link stainless steel chains, 6 mm



fittings hot-dip galvanised

flag made of weatherproof PVC fabric

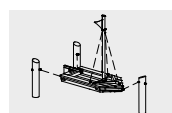
Dimensions

(small deviations possible)

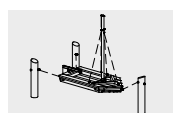
length 3.50 m
width 2.20 m
seat height 0.70 m
weight

Order No. 6.03200/6.03210 300 kg
Order No. 6.03201 265 kg

Please refer to the price list for a more detailed
explanation of the quality characteristics.



6.03200/6.03201



6.03210

Play value

Round spring platforms are mounted on strong, low springs. It is not only fun to jump on them, but one can jump off the disc in any direction, as from a spring-board. The momentum which is enforced by the springs propels the jumping child quite far. Jumping from one disc to the other represents a special sequence of movements and a challenge for small children. Therefore the installation of at least two Jumping Discs is recommended.



© Richter Spielgeräte GmbH 10/15

Fundamental characteristics

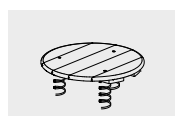
- wooden surface with natural structure for a good grip
- incentive for playing: round, low wooden plate, springs
- movement: jumping up and down, jumping off, hopping

Suitable

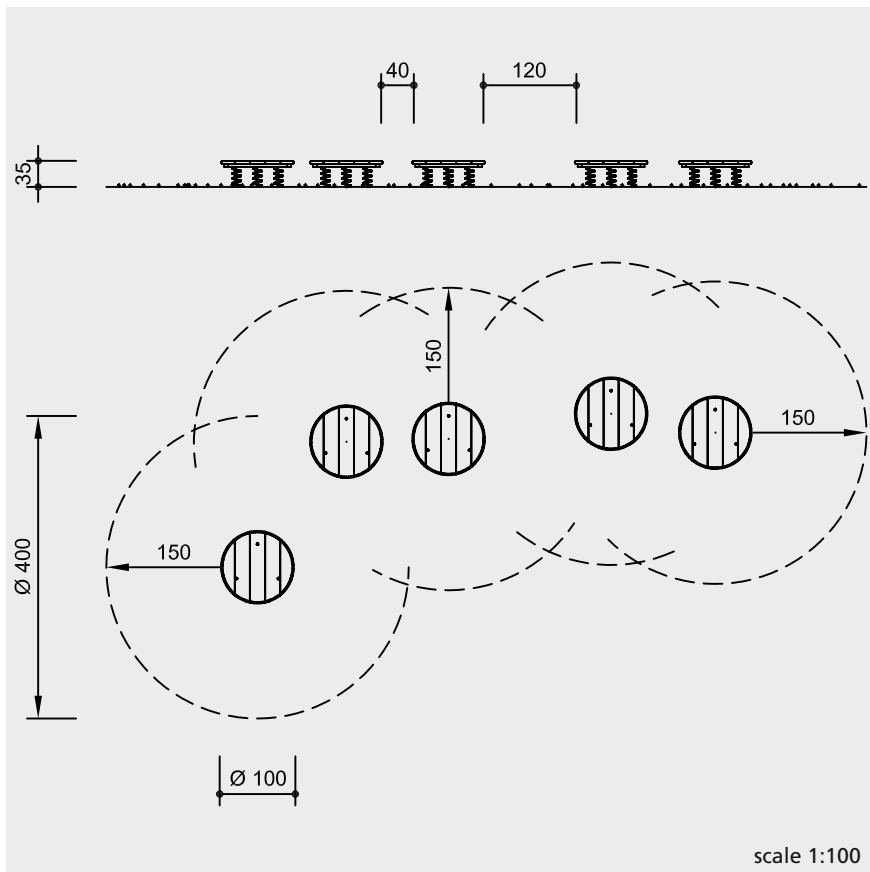
- for children from 4 years
- for public playgrounds
- institutions for children
- school playgrounds
- parks
- outdoor swimming pools
- as play offer alongside paths

Jumping Disc
with pre-cast foundation

Design and Copyright



6.06000



Technical information

equipment of non-impregnated mountain larch

core-free timber
sawn timbers core-free, by that formation of cracks can be reduced



top of 45 mm boards, screwed together with expansion joints

coated springs, standard colour red

fastening elements galvanised

Dimensions

(small deviations possible)

height	0.35 m
diameter	1.00 m
weight	140 kg

Safety check according to EN 1176

Components

- 1 disc complete with 3 springs
- 1 pre-fabricated concrete foundation

Installation information

Surfacing requirements corresponding to a fall height of ≤ 0.60 m (please refer to price list for more detailed information)

Foundations
excavation for pre-fabricated concrete foundation Ø 1.00 m x 0.15 m
For installation in loose material, an additional anchorage in concrete is necessary on-site.

Attention:
Exact measurements may vary, for all installation dimensions refer to current installation instructions.
Technical changes reserved.

For more detailed explanation of the quality characteristics see price list.



6.06000

Play value

The Rocker is especially fun when several children set it in motion by moving around on it. The centre pole is ideal for holding on to and enjoying the fun even when the rocker is dipping sharply, because the weights are unevenly placed. The small platform is fastened to the foundation by three springs and is very durable.

Fundamental characteristics

- incentive for playing: round wooden surface, pole for holding on, springs
- movement: bouncing, shaking, wobbling, moving one's centre of gravity

Suitable

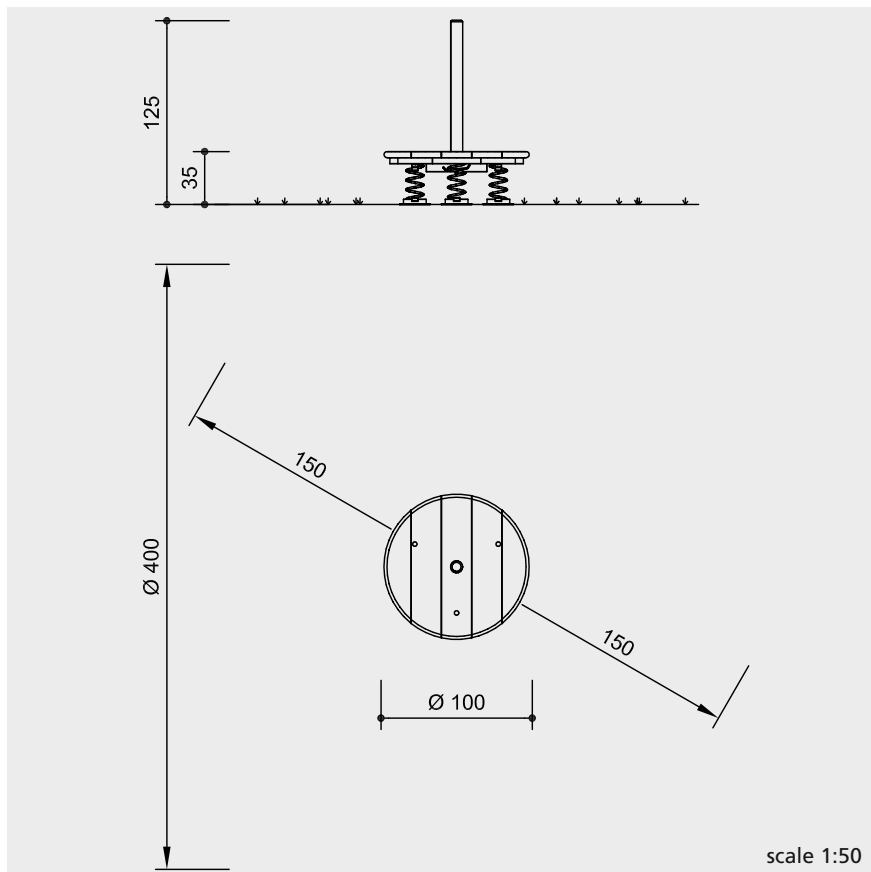
- for children from 4 years
- for public playgrounds
- children's homes
- school playgrounds
- leisure areas
- outdoor swimming pools
- pedestrian areas
- as play offer alongside paths



Rocker



6.04000



Safety check according to EN 1176

Components

- 1 Rocker complete with 3 springs
- 1 foundation frame

Installation information

Surfacing requirements corresponding to a fall height of $\leq 0,60$ m (please refer to price list for more detailed information)

Foundations
1 item $\varnothing 80$ cm x 30 cm
excavation depth 35 cm

Attention:
Exact measurements may vary, for all installation dimensions refer to current installation instructions.
Technical changes reserved.

Technical information

equipment of non-impregnated mountain larch

core-free timber

sawn timbers are core-free, by that formation of cracks can be reduced



ground anchor

all parts used for anchoring to the ground made of hot-dip galvanised steel



plate of 45 mm thick boards, screwed together with expansion joints

fastening elements hot-dip galvanised

coated springs, standard colour red

Dimensions

(small deviations possible)

height, total	1.25 m
height, plate	0.35 m
plate	$\varnothing 1.00$ m
round pole	$\varnothing 80$ mm
weight	60 kg

For more detailed explanation of the quality characteristics see price list.



6.04000

Play value

Children love situations in which they can show their skill. The Totter Beam is an amusing activity that inspires competitiveness. When children move around, their activity sets the beam in motion and the shaking and tottering leads to someone not being able to hold on, especially if another participant is determined to help out. It's harmless fun that many can take part in.



Fundamental characteristics

- incentive for playing: board mounted on springs, curiosity
- movement: balance, moving one's centre of gravity, bouncing, wobbling

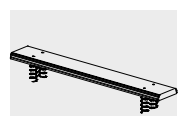
Totter Beam

Suitable

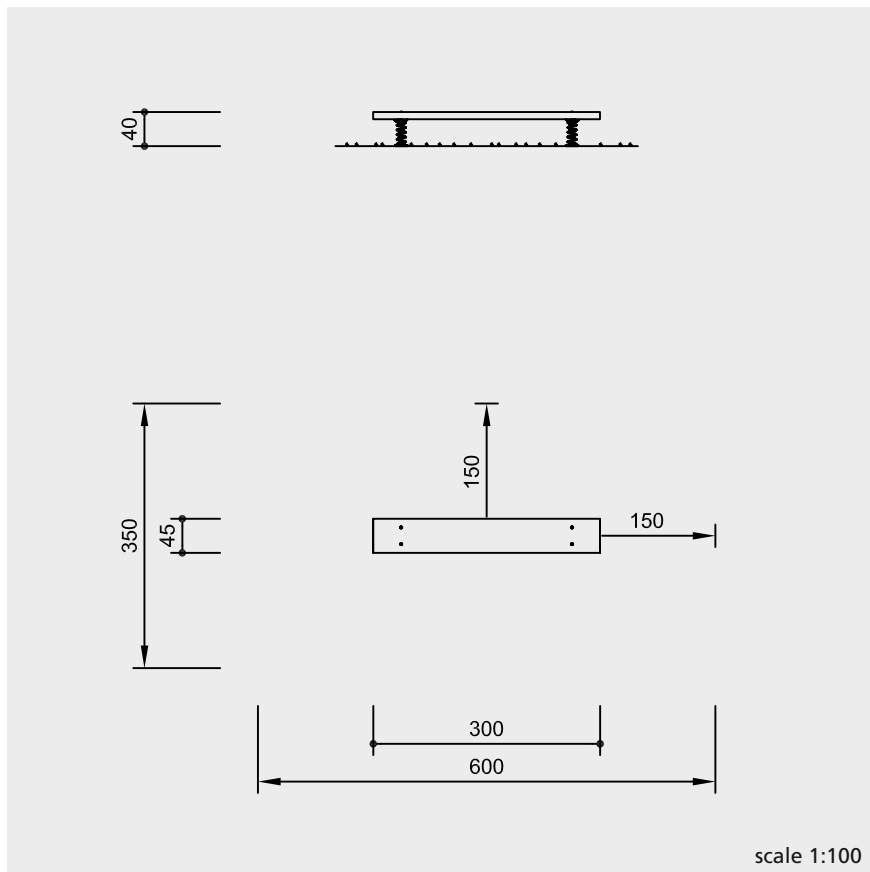
- for children from 4 years
- for public playgrounds
- playgrounds near houses
- nurseries and children's homes
- school playgrounds
- pedestrian areas
- leisure areas
- outdoor swimming pools
- as play offer alongside paths

© Richter Spielgeräte GmbH 10/15

Design and Copyright



6.05000



scale 1:100

Safety check according to EN 1176

Components

- 1 Totter Beam with 4 springs
- 4 foundation irons

Installation information

Surfacing requirements corresponding to a fall height of ≤ 0.60 m (please refer to price list for more detailed information)

Foundations
2 items 30 x 40 x 25 cm
excavation depth 30 cm

Attention:
Exact measurements may vary, for all installation dimensions refer to current installation instructions.
Technical changes reserved.

Technical information

equipment of non-impregnated mountain larch

core-free timber
equipment of naturally shaped sawn board, core-free, by that formation of cracks can be reduced, and planed



ground anchor
all parts used for anchoring to the ground made of hot-dip galvanised steel



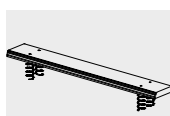
coated springs, standard colour red

Dimensions

(small deviations possible)

height	0.40 m
length	3.00 m
width	0.45 m
weight	100 kg

For more detailed explanation of the quality characteristics see price list.



6.05000

Play value

The Bouncing Flower is a movement possibility which is great fun, especially when used by several participants. It is easy to enjoy whether jumping and hopping in the same rhythm or even against the rhythm of one's neighbour. The mobile "petals" on the jumping flower are fixed by means of hinges to the centre. Each "petal" can bounce up and down thanks to springs.

Fundamental characteristics

- unique and original
- agreeable design
- wooden surface with natural structure for a good grip
- incentive for playing: "petals", springs
- movement: jumping up and down, jumping off, hopping

Suitable

- for children from 4 years
- for public playgrounds
- institutions for children
- parks
- outdoor swimming pools
- as play offer alongside paths



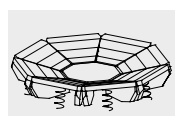
Photo by Daniel Perales

Bouncing Flower

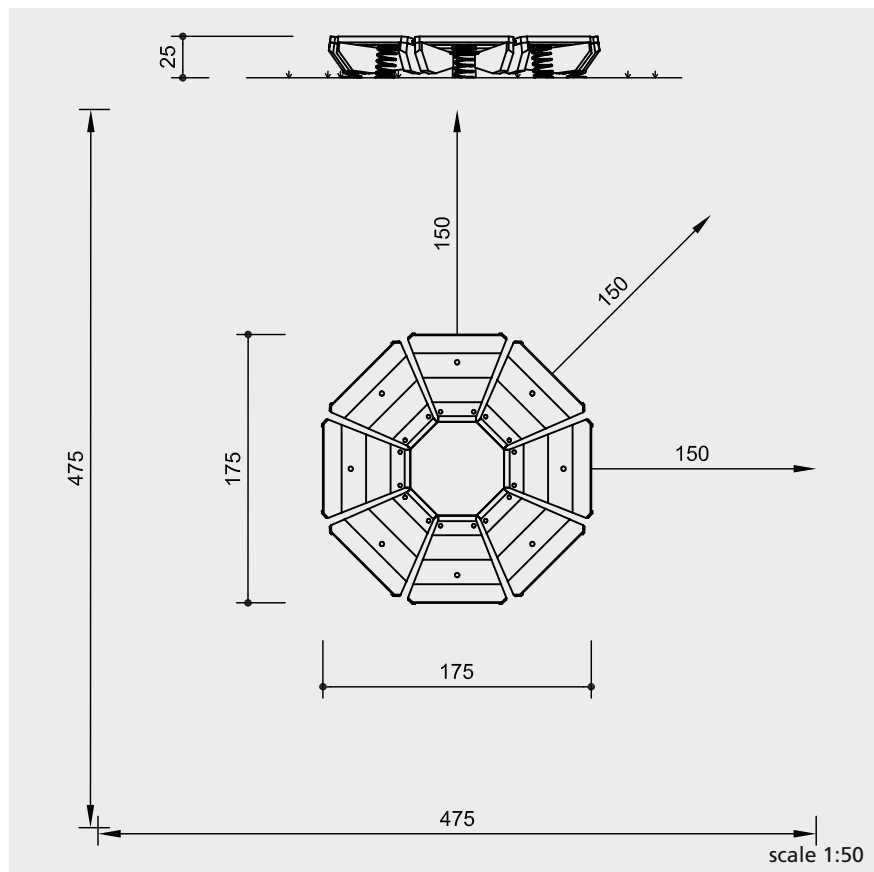


Copyright © Richter Spielgeräte GmbH 10/15

Design S. Gasbichler/J. Weber



6.06500



Safety check according to EN 1176

Components

- 1 equipment item with 8 segments mounted on springs
- 1 foundation frame

Installation information

Surfacing requirements corresponding to a fall height of $\leq 0,60$ m (please refer to price list for more detailed information)

Foundations
 foundation frame for 8 foundations
 30 x 30 x 40 cm each
 excavation depth 50 cm

Attention:
Exact measurements may vary, for all installation dimensions refer to current installation instructions.
 Technical changes reserved.

Technical information

equipment of non-impregnated mountain larch

core-free
 sawn timbers are core-free, by that formation of cracks can be reduced



tongue and groove
 boards of segment tops of 40 mm tongue and groove boarding



brass bush
 for all to and fro movements we use bush bearings which allow for self-lubrication while in use and which can be easily exchanged in case of need



ground anchor
 all parts used for anchoring to the ground made of hot-dip galvanised steel



coated springs, standard colour red

centre plate of fluted metal sheet, hot-dip galvanised

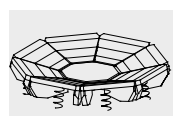
supporting frame hot-dip galvanised

Dimensions

(small deviations possible)

height	0.30 m
diameter	1.75 m
weight	260 kg

For more detailed explanation of the quality characteristics see price list.



6.06500

Play value

The Belt Path is an ideal play item for energetic, harmless fun. The rubber belt stretched between the support posts creates a rebound effect. Particularly interesting games can be played on it when it is stretched out over several sections up to 14 metres in length. The Belt Path is suited as equipment alongside paths, especially areas predominantly used by adolescents. They also enjoy the Belt Path as a meeting point.

Fundamental characteristics

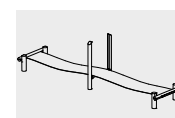
- the interchangeable sag of the rubber fields enables the rebound effect
- the moveable middle axis avoids wear and increases play fun
- incentive for playing: rubber surface, curiosity
- movement: jumping, running, rollicking about, sitting, lying

Suitable

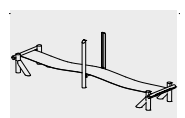
- for children from 6 years and young people
- for public playgrounds
leisure areas
parks
areas for young people
outdoor swimming pools



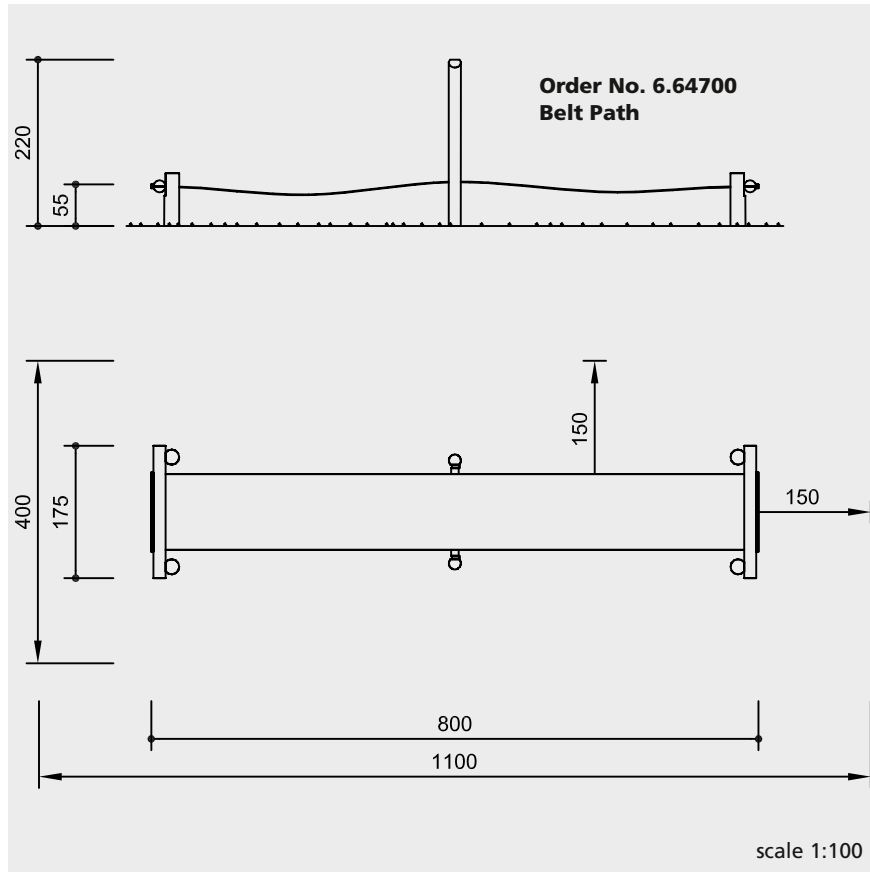
Belt Path
Belt Path with additional support for soft grounds



6.64700



6.64800



Safety check according to EN 1176

Components

Order No. 6.64700 Belt Path

- 1 walkway of double steel reinforced rubber belt
- 2 distance timbers
- 2 end frames
- 1 middle frame with roller
- 2 distance battens

Order No. 6.64800 Belt Path for soft grounds

- end frames with additional support

Special lengths on request

Installation information

Surfacing requirements corresponding to a fall height of ≤ 0.60 m recommendation: fall height as ≤ 1.00 m (please refer to price list for more detailed information)

Foundations

- Order No. 6.64700**
- 2 items 80 x 200 x 60 cm excavation depth 80 cm
- 2 items 60 x 60 x 60 cm excavation depth 80 cm
- Order No. 6.64800**
- 4 items 80 x 150 x 60 cm excavation depth 80 cm
- 2 items 60 x 60 x 60 cm excavation depth 80 cm

Attention:
Exact measurements may vary, for all installation dimensions refer to current installation instructions.
 Technical changes reserved.
Equipment also available with end frames with steel posts and middle frame with steel feet.

Technical information

de-barked posts

de-barked posts, end frames Ø 18 - 21 cm, middle frame Ø 15 - 18 cm, of spruce/fir, boiler pressure impregnated according to DIN 68800-3, use class 4



angle cut

vertical support posts of the middle frame with angle cut in the end grain section as constructive wood preservation



perforated

the earth/air zone of the wood is perforated by small bore holes to ensure that the impregnating agent penetrates this particularly endangered zone



concealed head

large surface for pressure distribution, prevents water from getting inside, protects the bolt head



adjustable

no projecting threads after re-tightening due to two-piece bolt connection and therefore easy to maintain



strong fastening

bolt connections with milled metal rings for connections which are stressed cross-wise



steel reinforced rubber belt

two way steel armoured rubber belt, almost indestructible, total thickness approx. 11 mm



middle roller Ø 100 mm, with ball bearings, hot-dip galvanised

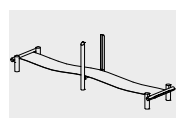


Dimensions

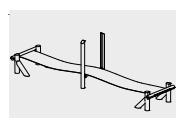
(small deviations possible)

- length 8.00 m (possible up to 14.00 m)
- belt width 1.00 m
- thickness 11 mm
- weight
- Order No. 6.64700 450 kg
- Order No. 6.64800 530 kg

For more detailed explanation of the quality characteristics see price list.



6.64700



6.64800

Play value

Whoever first discovers the ship can storm it and take over one of the two seats. But you can only really set sail if the seat opposite you is occupied. Then all activities become concentrated on bringing about a to and fro movement. The pliability of the big tyre allows wave-like movements in all directions. The children are able to clearly perceive the interaction of cooperative exertion of force on the intensity of the tilt. In order not to slide out of the seat, the children spontaneously grip onto the side walls of the ship. Passengers are welcome to increase the collective experience.



Fundamental characteristics

- appealing design thanks to the slanted surface elements
- role-playing game
- exercise activity: keeping an upright seating position
training for the safety reflex
overcoming differences in height

Suitable

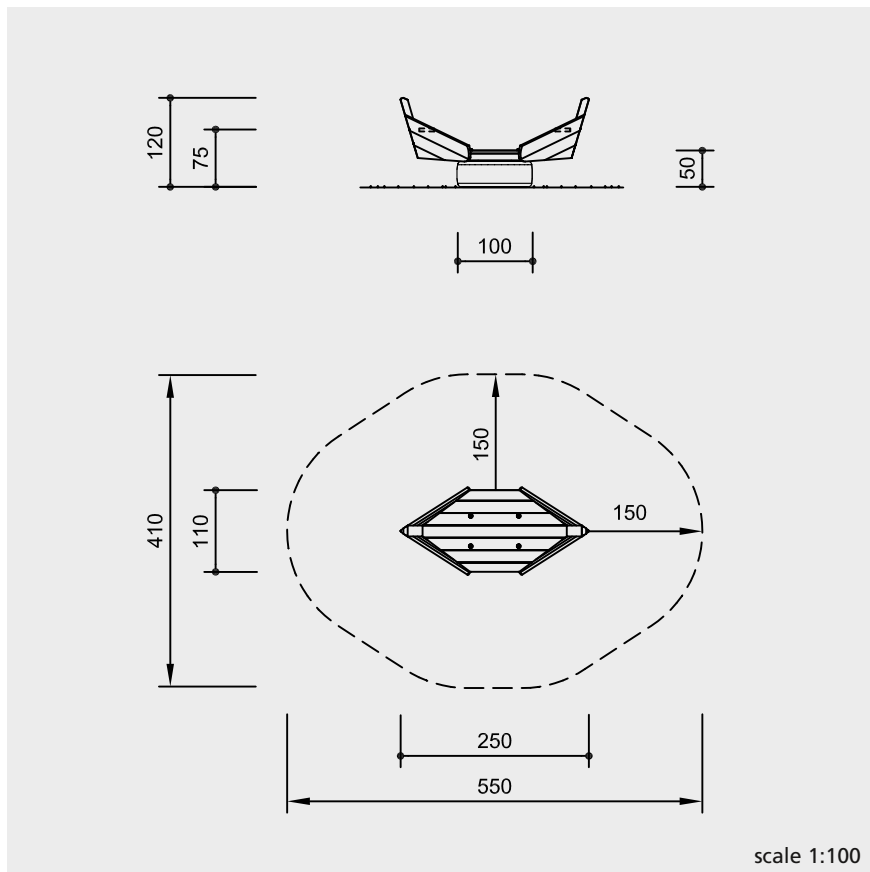
- for children from 4 years of age
- for public playgrounds
kindergartens/nurseries
camp sites



Rocking Ship



6.08000



safety check according to EN 1176

Components

- 1 ship
- 1 rubber tyre
- 1 concrete foundation pedestal

Installation information

Surfacing requirements corresponding to a fall height of ≤ 1.00 m (please refer to price list for more detailed information)

Foundations excavation for concrete foundation pedestal $\varnothing 1.20 \times 0.60$ m

Attention:
Exact measurements may vary; for all installation dimensions refer to current assembly instructions.
 Technical changes reserved.

Technical information

equipment of non-impregnated mountain larch

core-free timber
 sawn timbers core-free, thus decreasing occurrences of cracking



tongue and groove
 side walls and floor made of 40 mm tongue and groove boarding



milled-off tyres
 rubber tyre as support made of milled-off tyre segment, clean, smooth, soft and light



concrete foundation pedestal as pre-cast foundation

Dimensions

(small deviations possible)

height	1.20 m
seat height	0.75 m
floor height	0.50 m
length	2.50 m
width	1.10 m
weight	1250 kg

Please refer to the price list for a more detailed explanation of the quality characteristics.



6.08000

Play value

Rocking holds an almost inexhaustible attraction for small children. This can be seen by the way in which children persistently test their balance on chairs – bringing some parents to despair. That's why every playground should have a see-saw. Our Small See-saw has a delightful shape and provides gentle see-sawing fun.

Fundamental characteristics

- high-quality design

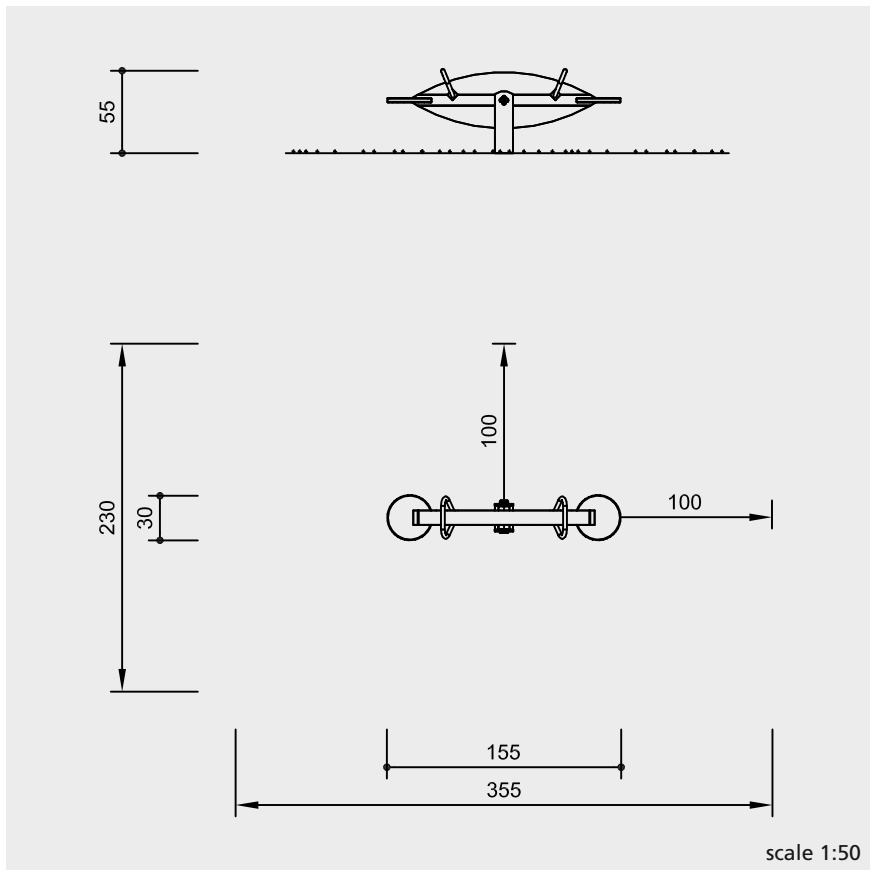
Suitable

- for small children's areas of:
public playgrounds
playgrounds situated near houses
leisure areas
kindergartens
- nurseries



Small See-saw





Safety check according to EN 1176

Components

1 Small See-saw complete with support frame

Installation information

Surfacing requirements corresponding to a fall height of ≤ 1.00 m

(please refer to price list for more detailed information)

Foundations
1 item 50 x 80 x 50 cm
excavation depth 70 cm

Attention:
Exact measurements may vary, for all installation dimensions refer to current installation instructions.
Technical changes reserved.

Technical information

equipment of non-impregnated mountain larch

core-free
sawn timbers are core-free, thus decreasing the occurrences of cracking



larch plywood
seating area made of three-layer waterproof plywood, 30 mm



ground anchor
all parts used for anchoring to the ground made of hot-dip galvanised steel



See-saw mechanism with rubber buffers, maintenance-free

grips of stainless steel, glass bead blasted

Dimensions

(small deviations possible)

height	0.55 m
max. rocking height	0.80 m
length	1.55 m
width	0.30 m
weight	85 kg

For more detailed explanation of the quality characteristics see price list.



6.11700

Play value

See-sawing has a tremendous appeal for small children and children of school age. This can be seen already by the continual attempts to balance or rock to and fro on chairs, which can wear out the patience of many a parent and teacher. This type of play demonstrates how essential it is to have a good see-saw in every playground.

Fundamental characteristics

- See-saw beam inspires confidence
- incentive for playing: grips, repeating familiar activities



Order No. 6.11500 – shock absorption to be provided on site (not included)!



- exercise activity: pushing oneself off, shifting one's weight

Barrier-free
- special exercise experience

See-saw with Shock Absorber
See-saw

Order No 6.11000

See-saw with Shock Absorber

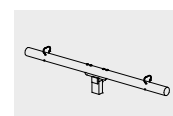
- inside the support tube there is a sturdy metal lever with double-sided rubber buffers, which, thanks to elaborate workmanship, ensures shock absorption of the See-saw movement

Suitable

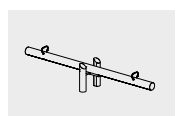
- for children from 3 years of age
- for public playgrounds
- leisure areas
- day-care centres
- play areas for people with special needs
- outdoor swimming pools

Planning information

To ensure that the see-saw movement of the See-saw **Order No. 6.11500** does not cause any impact damage to children's spines, a shock absorber is required just before the sea-saw seat hits the ground (to be provided by customer), e. g. as depicted using tyres.

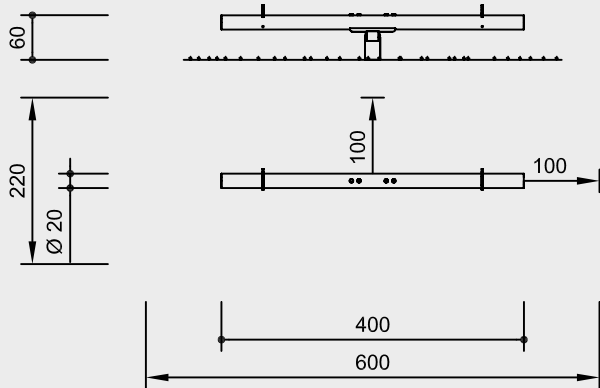


6.11000

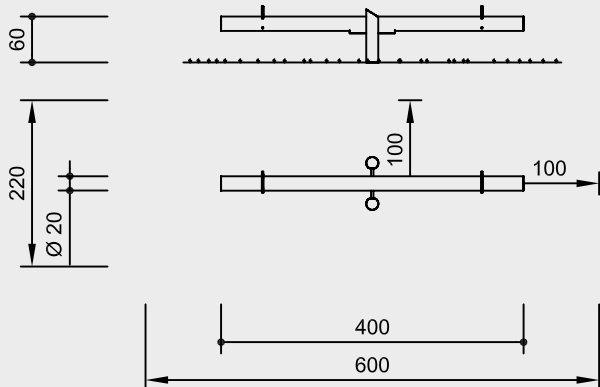


6.11500

Order No 6.11000 See-saw with Shock Absorber



Order No. 6.11500 See-saw



scale 1:100

safety check according to EN 1176

Components

Order No 6.11000

See-saw with Shock Absorber

1 See-saw beam with 2 hand grips
1 support with integrated shock absorbers

Order No. 6.11500 See-saw

1 See-saw beam with 2 hand grips
1 support frame made of posts

Tyres for shock absorption not included!

Installation information

Surfacing requirements corresponding to a fall height of ≤ 1.00 m (please refer to price list for more detailed information)

Foundations

Order No 6.11000

1 item 60 x 60 x 60 cm excavation depth 80 cm

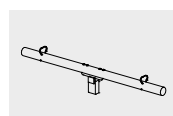
Order No 6.11500

1 item 60 x 100 x 60 cm excavation depth 80 cm

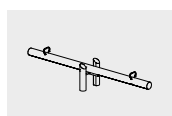
Attention:

Exact measurements may vary; for all installation dimensions refer to current assembly instructions.

Technical changes reserved.



6.11000



6.11500

Technical information

See-saw beam of non-impregnated mountain larch

de-barked posts

See-saw beam de-barked, Ø 18 - 21 cm



concealed head

large surface for pressure distribution, prevents water from getting inside, protects the bolt head



brass bush

for all to and fro movements we use sintered metal bearings which allow for self-lubrication while in use and are easy to exchange if required



relief cut

parts which are not core-free have a saw cut in the round timber or a relief borehole, thus pre-emptively preventing natural cracking



hand grips of stainless steel, glass bead blasted

Order No 6.11000

See-saw with Shock Absorber

hot-dip galvanised mechanism with rubber shock absorbers

ground anchor

all parts used for anchoring to the ground made of hot-dip galvanised steel, thick-walled support tube



Order No. 6.11500 See-saw

de-barked posts

posts of support frame de-barked, Ø 15 - 18 cm, of robinia



See-saw mechanism hot-dip galvanised

Dimensions

(small deviations possible)

Order No 6.11000

max. See-saw height 1.00 m
length 4.00 m
width Ø 0.20 m
weight 135 kg

Order No 6.11500

max. See-saw height 1.00 m
length 4.00 m
width Ø 0.20 m
weight 120 kg

Please refer to the price list for a more detailed explanation of the quality characteristics.

Play value

Beam See-saws are available in different designs. The basic version has hand grips for two children, the beam is supported on a coloured metal axle. The Double See-saw has two grips on each side of the beam and can be used by four children at the same time. The Twin See-saw offers special fun as the see-saws are connected. Going up and down side by side is great fun.



© Richter Spielgeräte GmbH 10/15

Fundamental characteristics

- progressive rubber buffers support the whole See-saw movement
- see-sawing is also possible alone
- incentive for playing: coloured metal construction, grips
- movement: see-sawing, pushing oneself off, shifting one's weight

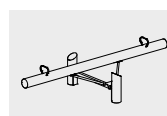
Suitable

- for children from 4 years
- for public playgrounds
- children's institutions
- leisure parks
- school playgrounds
- play areas for people with special needs

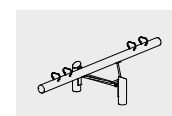
Barrier-free

- special exercise experience

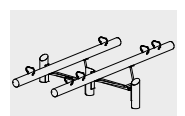
Beam See-saw
Double See-saw
Twin See-saw



6.11600



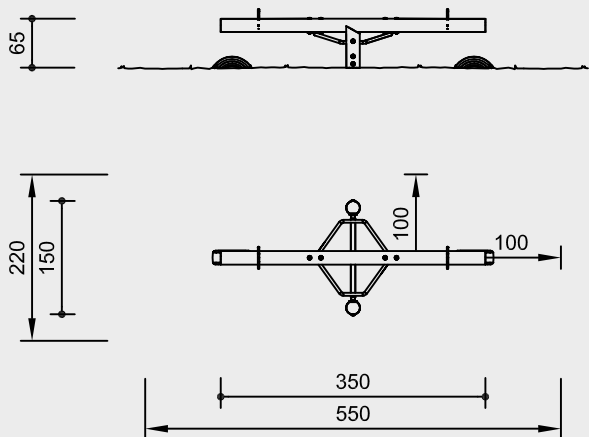
6.11610



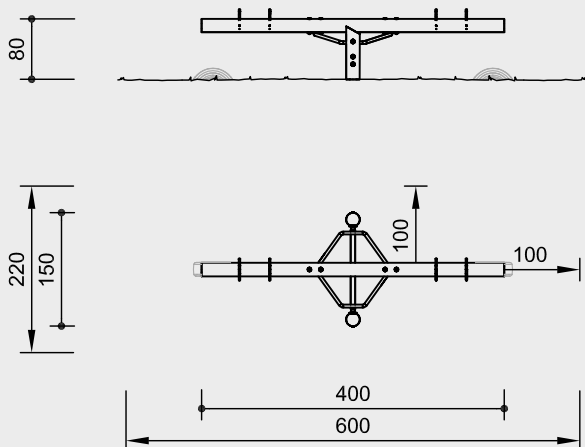
6.11620

Design and Copyright

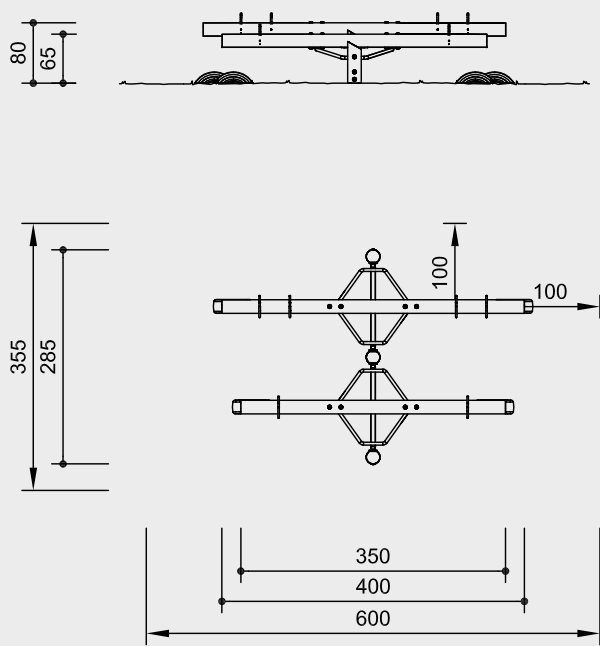
Order No. 6.11600 Beam See-saw



Order No. 6.11610 Double See-saw

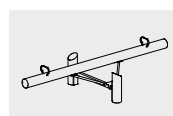


Order No. 6.11620 Twin See-saw

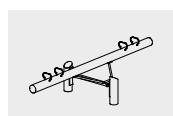


scale 1:100

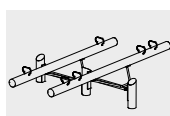
Safety check according to EN 1176



6.11600



6.11610



6.11620

Technical information

See-saw beam de-barked, of non-impregnated mountain larch

de-barked beam

See-saw beam de-barked, Ø 18 - 21 cm



relief cut

parts which are not core-free have a kerf sawn at a suitable section of the trunk to pre-empt cracks that would form naturally or a bore hole as relief



support posts of robinia, Ø 15 - 18 cm

See-saw mechanism with rubber buffers, lacquered, standard colour blue

grips of stainless steel, glass bead blasted

Dimensions

(small deviations possible)

Order No. 6.11600 Beam See-saw

max. See-saw height 1.35 m
length 3.50 m
width 1.50 m
weight 120 kg

Order No. 6.11610 Double See-saw

max. See-saw height 1.35 m
length 4.00 m
width 1.50 m
weight 140 kg

Order No. 6.11620 Twin See-saw

max. See-saw height 1.35 m
length 3.50 or 4.00 m
width 2.85 m
weight 250 kg

Components

1 or 2 See-saw beams with grips
1 or 2 See-saw mechanism(en)
2 or 3 support posts

Tyres as additional shock absorbers on site.

Installation information

Surfacing requirements corresponding to a fall height of ≤ 1.50 m (please refer to price list for more detailed information)

Foundations

Order No. 6.11600

2 items 60 x 60 x 60 cm excavation depth 80 cm

Order No. 6.11610

2 items 60 x 60 x 60 cm excavation depth 80 cm

Order No. 6.11620

3 items 60 x 60 x 60 cm excavation depth 80 cm

Attention:

Exact measurements may vary, for all installation dimensions refer to current installation instructions. Technical changes reserved.

For more detailed explanation of the quality characteristics see price list.

Play value

Effectively, the Cross Scales is a raised see-saw with hanging seats. The up and down movement can be carried-out with a slight spring to it or with full force. At the same time, a hard bump is damped by means of a mechanical spring system. Sideways swinging and even swinging in small circles is possible while sitting on the long hanging pendulum seats. The Cross Scales encourage communication and cooperation.



Order No. 6.10101 with stainless steel support frame



Fundamental characteristics

- de-barked support posts inspire confidence
- incentive for playing: high timber construction, suspended pendulum seats
- movement: up and down, swaying, swinging

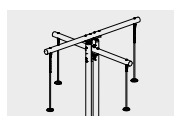
Suitable

- for children from 6 years
- for public playgrounds
- playgrounds situated near houses
- children's homes
- leisure areas
- outdoor swimming pools

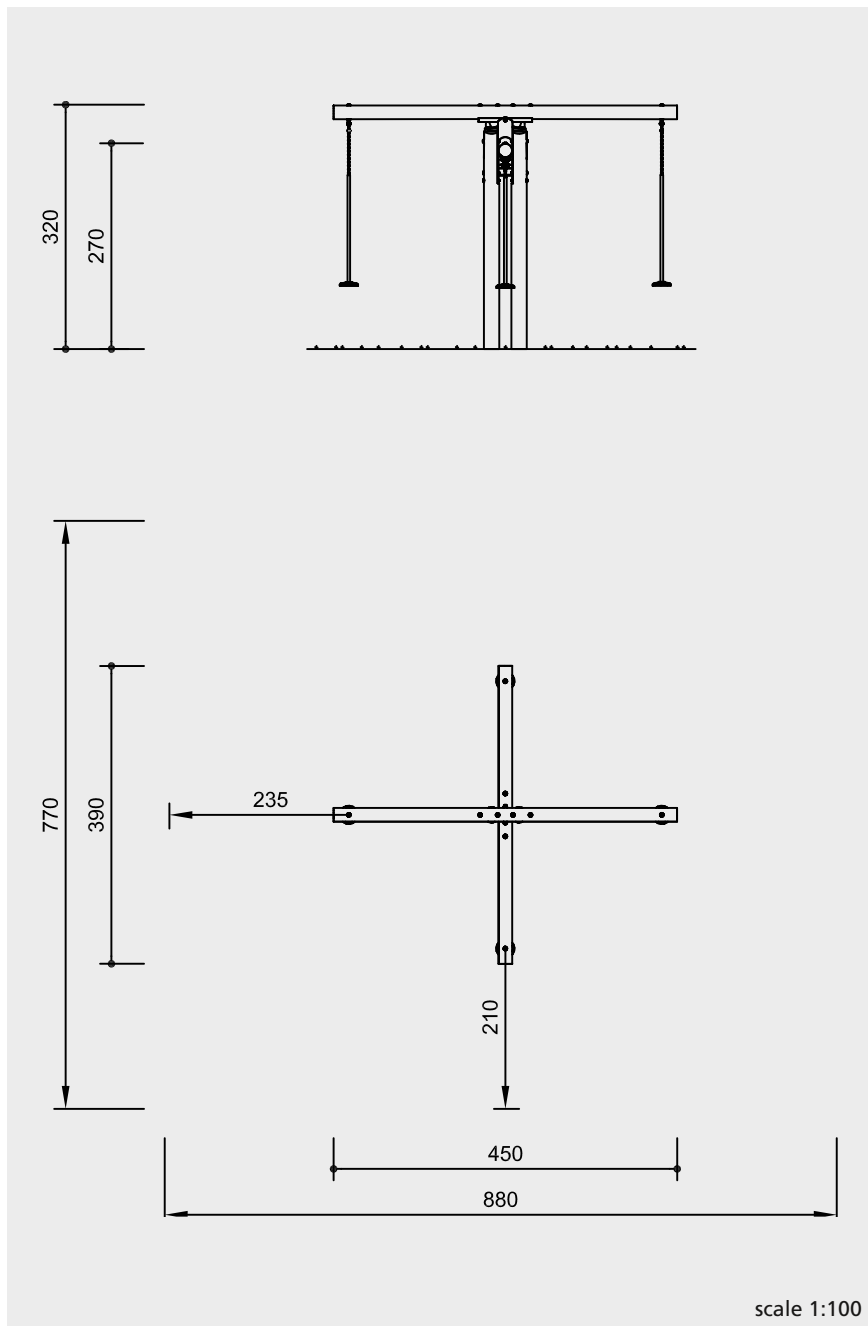
Cross Scales

© Richter Spielgeräte GmbH 10/15

Design and Copyright



6.10100



Safety check according to EN 1176

Components

- 1 support frame with shock absorbing mechanism
- 2 scale beams
- 4 pendulum seats on universal joints

Installation information

Surfacing requirements corresponding to a fall height of ≤ 2.00 m (please refer to price list for more detailed information)

Foundations
1 item 100 x 100 x 60 cm
excavation depth 80 cm

Attention:
Exact measurements may vary, for all installation dimensions refer to current installation instructions.
Technical changes reserved.
Equipment also available with steel support frame.

Technical information

de-barked posts

de-barked posts of spruce/fir, boiler pressure impregnated according to DIN 68800-3, use class 4; , support posts Ø 18 - 21 cm, scale beams Ø 15 - 18 cm



angle cut

vertical support posts with angle cut in the end grain section as constructive wood preservation



perforated

the earth/air zone of the wood is perforated by small bore holes to ensure that the impregnating agent penetrates this particularly endangered zone



pendulum seat

with large rubber surface, with a soft, protecting edge and steel insert



universal joint

drop-forged and hot-dip galvanised joint yoke; the universal joint insert consists of two swing bearings



concealed head

large surface for pressure distribution, prevents water from getting inside, protects the bolt head



adjustable

no projecting threads after re-tightening due to two-piece bolt connection and therefore easy to maintain



brass bush

for all to and fro movements we use bush bearings which allow for self-lubrication while in use and which can be easily exchanged in case of need



chains

suspended on hose-sleeved, short-link chains, 6 mm, welded before hot-dip galvanisation (stainless steel chains available on request)



strong buffer mechanism, hot-dip galvanised

Dimensions

(small deviations possible)

height	3.20 m
length	4.50 m
width	3.90 m
weight	300 kg

For more detailed explanation of the quality characteristics see price list.



6.10100

Play value

Our Scales are similar to a raised see-saw with hanging pendulum seats. The swinging up-and-down movements can be either gentle or more forceful depending on how the children push off from the ground. Being able to make the pendulum seats move sideways, in circles as well as together with several other children on one seat makes it even more fun.

Fundamental characteristics

- de-barked support posts inspire confidence
- incentive for playing: high timber construction, suspended pendulum seats
- movement: up and down, swaying, swinging

Suitable

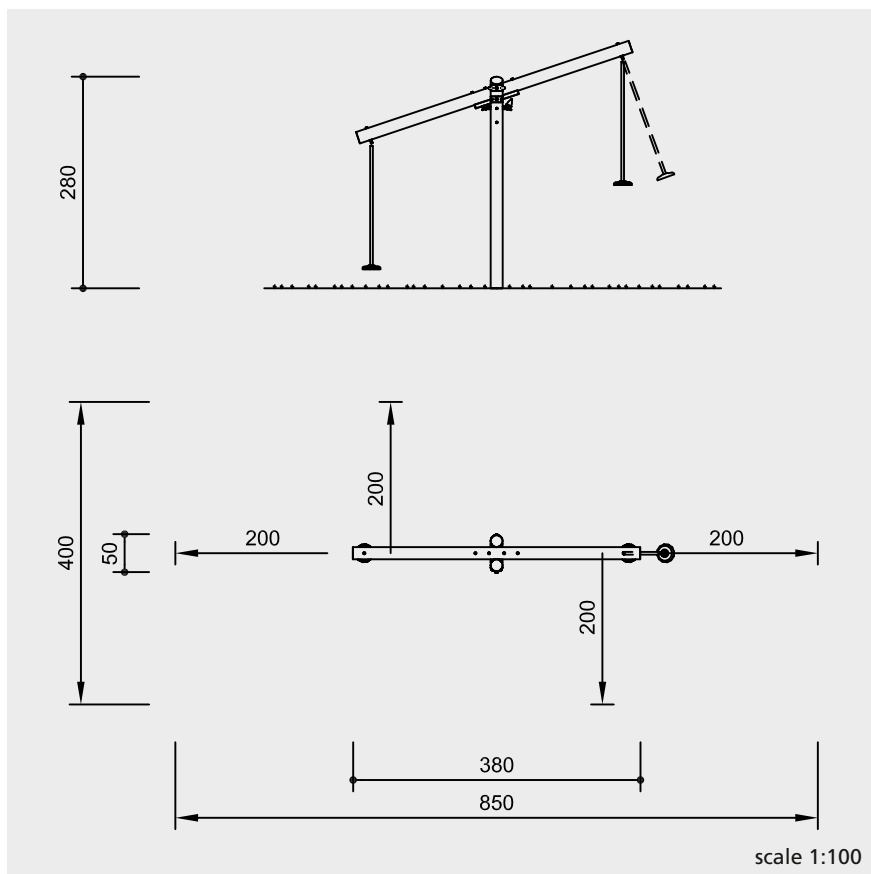
- for children from 6 years
- for public playgrounds
playgrounds near houses
leisure areas
outdoor swimming pools



Scales



6.10000



Safety check according to EN 1176

Components

- 1 support frame with shock absorbing mechanism
- 1 scale beam
- 2 pendulum seats on universal joints

Installation information

Surfacing requirements corresponding to a fall height of ≤ 1.50 m (please refer to price list for more detailed information)

Foundations
1 item 80 x 80 x 60 cm
excavation depth 80 cm

Attention:
Exact measurements may vary, for all installation dimensions refer to current installation instructions.
Technical changes reserved.
Equipment also available with steel feet or made of larch with steel feet.

Technical information

de-barked posts
de-barked posts of spruce/fir, boiler pressure impregnated according to DIN 68800-3, use class 4; support posts \varnothing 18 - 21 cm, scale beams \varnothing 15 - 18 cm



angle cut
vertical support posts with angle cut in the end grain section as constructive wood preservation



perforated
the earth/air zone of the wood is perforated by small bore holes to ensure that the impregnating agent penetrates this particularly endangered zone



pendulum seat
with large rubber surface, with a soft, protecting edge and steel insert



universal joint
drop-forged and hot-dip galvanised joint yoke; the universal joint insert consists of two swing bearings



concealed head
large surface for pressure distribution, prevents water from getting inside, protects the bolt head



adjustable
no projecting threads after re-tightening due to two-piece bolt connection and therefore easy to maintain



brass bush
for all to and fro movements we use bush bearings which allow for self-lubrication while in use and which can be easily exchanged in case of need



chains
suspended on hose-sleeved, short-link chains, 6 mm, welded before hot-dip galvanisation (stainless steel chains available on request)



strong buffer mechanism, hot-dip galvanised

Dimensions
(small deviations possible)

height	2.80 m
length	3.80 m
width	0.50 m
weight	200 kg

For more detailed explanation of the quality characteristics see price list.



6.10000

Function and Play value

With its surprising range of movement, the Swing Scales can enrich nearly any play area. The children themselves become pendulum weights and in this way they can discover physical phenomena such as balancing by playing. With the Scales Swing, children can sway gently or have fun with wilder, more energetic movement. That is why this equipment is also suitable for older children. The swing promotes communication and body awareness.



Order No. L6.10200 Swing Scales



Copyright © Richter Spielgeräte GmbH 10/15

Fundamental characteristics

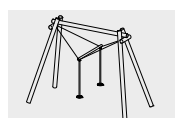
- unique and original
- incentive for playing:
 - suspended swinging device
- movement: see-sawing, wobbling, swinging, swaying

Swing Scales

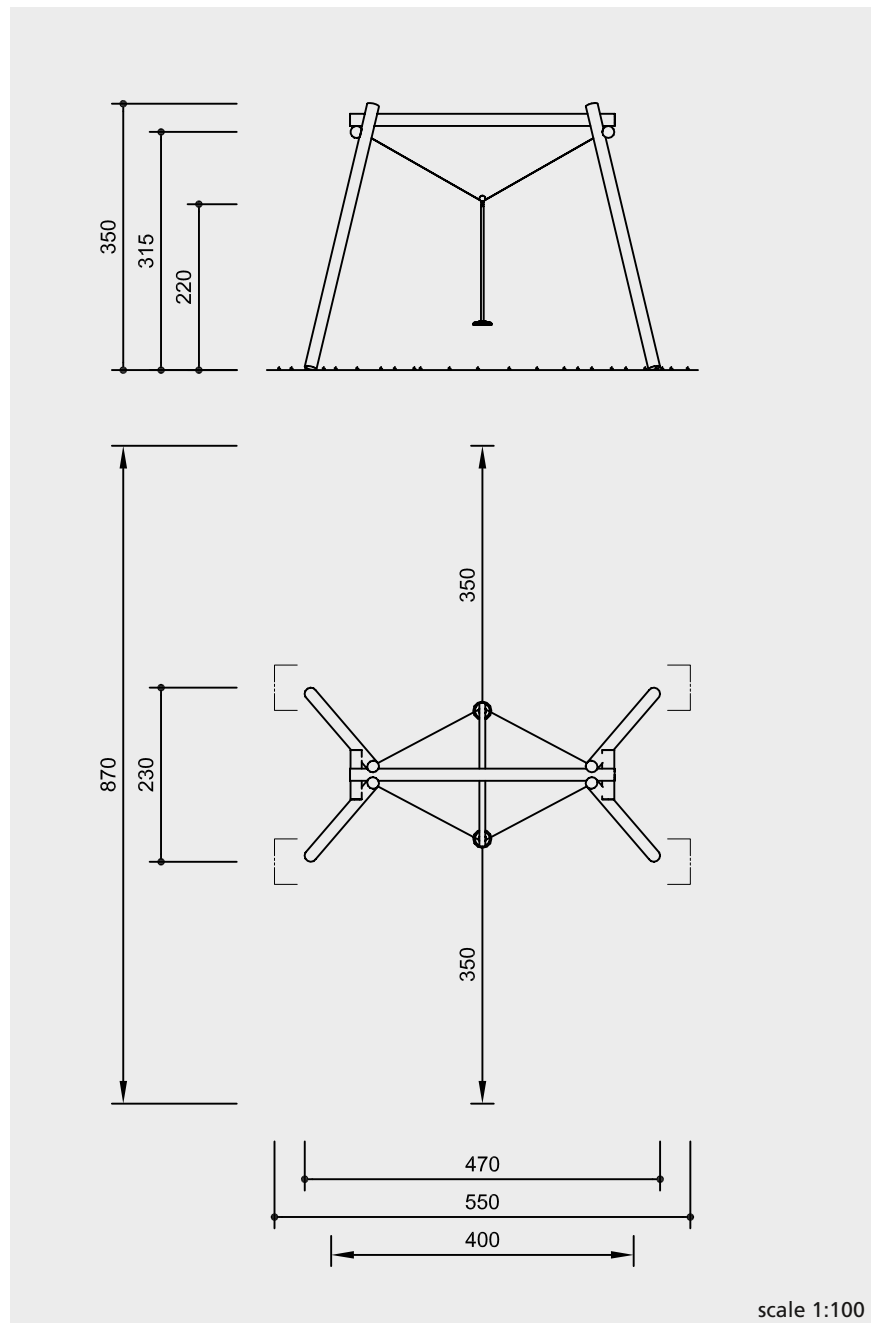
Suitable

- for children from 6 years and young people
- public playgrounds
- youth centres
- leisure areas
- outdoor swimming pools
- parks

Design P. Hannes



6.10200



scale 1:100

Safety check according to EN 1176

Components

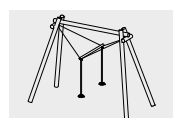
- 2 support frames
- 1 cross beam
- 1 round pole with fittings
- 2 pendulum seats
- 2 ropes

Installation information

Surfacing requirements corresponding to a fall height of ≤ 1.50 m (for more detailed information see price list)

Foundations
4 items 60 x 60 x 60 cm
excavation depth 80 cm

Attention:
Exact measurements may vary, for all installation dimensions refer to current installation instructions.
Technical changes reserved.
Equipment also available with steel feet or made of larch with steel feet.



6.10200

Technical information

de-barked

de-barked posts, Ø 15 - 18 cm, of spruce/fir, boiler pressure impregnated according to DIN 68800-3, use class 4



perforated

the earth/air zone of the wood is perforated by small bore holes to ensure that the impregnating agent penetrates this particularly endangered zone



pendulum seat

with large rubber surface, with a soft, protecting edge and steel insert



Corocord® rope

special ropes of "Hercules type"
see-saw construction made of 19 mm six-strand Corocord® rope of the special "Hercules type", abrasion protected through heating of the six steel strands and melting the polyester sleeve onto them, standard colour red



universal joint

drop-forged and hot-dip galvanised joint yoke; the universal joint insert consists of two swing bearings



brass bush

for all to and fro movements we use bush bearings which allow for self-lubrication while in use and which can be easily exchanged in case of need



chains

suspended on short-link chains, 6 mm, welded before hot-dip galvanisation (stainless steel chains available on request)



Dimensions

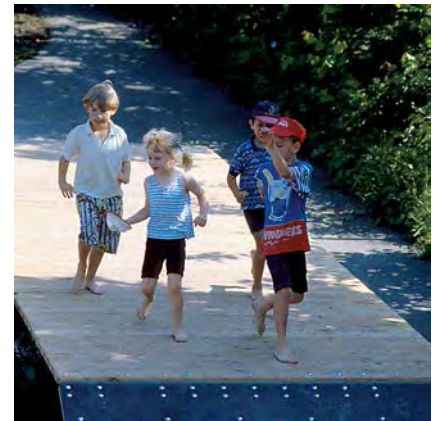
(small deviations possible)

height	3.50 m
length	4.70 m
width	2.30 m
weight	360 kg

For more detailed explanation of the quality characteristics see price list.

Play value

The chief benefit of this piece of equipment is that it encourages people to pull together and to be aware of the need to cooperate with one another. Many children can see-saw and play with each other at the same time: the big children with the small, the heavy ones with the light ones, the old with the young. Here, play is with and against other people - even losing can be fun on this piece of equipment. Whether on foot, bicycle, moped, scooter, wheelchair or skateboard - fun is guaranteed.



The big see-saw is a meeting place where something always happens - it's both a corner for talking and spectator's podium.

Barrier-free
 - special exercise experience
 - with a carer

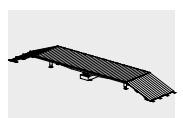
Big See-saw Platform

Fundamental characteristics

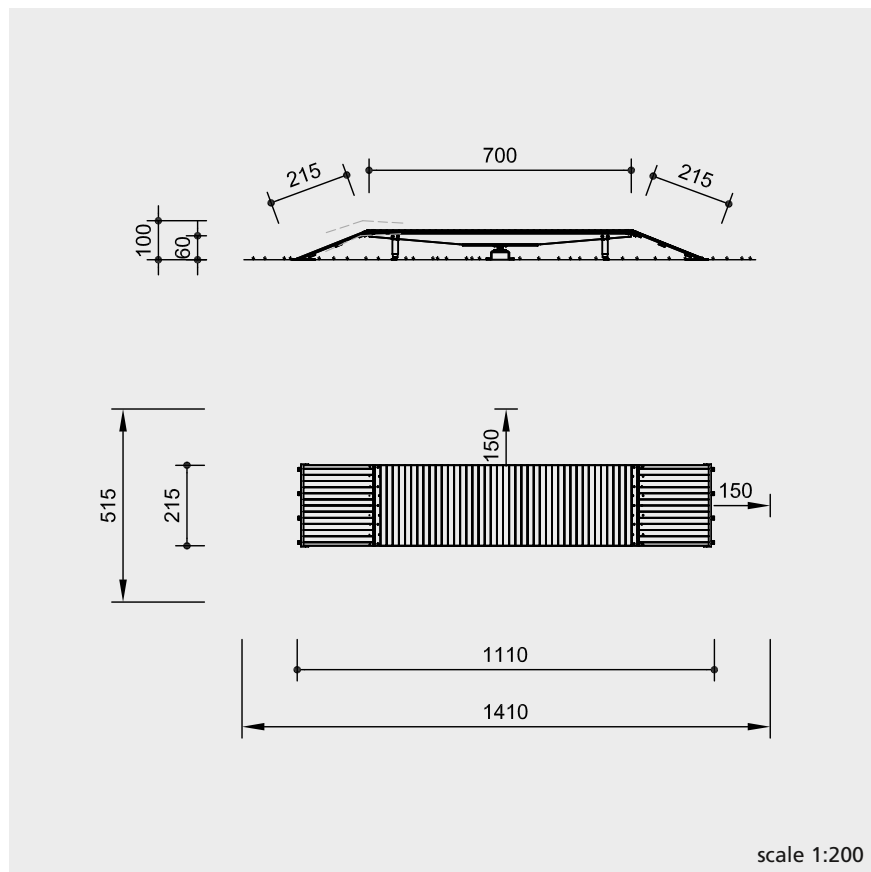
- unique and original
- distortion-free construction of the big see-saw floor
- incentive for playing: inclined floor with ramps
- movement: running, jumping, driving, shifting one's weight

Suitable

- for people from 4 years
- for public playgrounds
- school playgrounds
- pedestrian areas
- outdoor swimming pools
- leisure areas
- institutions for people with special needs
- for installation alongside paths



6.70000



Safety check according to EN 1176

Components

1 see-saw floor with 2 ramps, complete with all bearings, shock absorbers, foundation frame and concrete pedestal for central see-saw mechanism

Installation information

Surfacing requirements corresponding to a fall height of ≤ 1.00 m (please refer to price list for more detailed information)

Foundations

1 item 100 x 160 x 80 cm
 2 items 50 x 120 x 80 cm
 2 items 70 x 215 x 80 cm
 must be set at frost depth (80 - 120 cm)

Attention:

Exact measurements may vary, for all installation dimensions refer to current installation instructions.

Technical changes reserved.

Technical information

equipment of non-impregnated mountain larch

core-free timber

sawn timbers are core-free, by that formation of cracks can be reduced



tongue and groove boards

walking boards of 40 mm tongue and groove boarding



laminated wood

carrying beam of laminated wood, glued according to DIN 1052; cross section 18/34 cm, on both ends tapering to 18/13 cm



brass bush

for all to and fro movements we use bush bearings which allow for self-lubrication while in use



heavy, distortion-free construction with hot-dip galvanised fittings

ramps run in stainless steel guide rails, with brass edge protection and a rubber lip to prevent entrapment

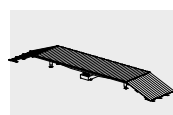
foundation frame of steel

Dimensions

(small deviations possible)

height	0.60 - 1.00 m
see-saw floor	2.15 x 7.00 m
ramps	2.15 x 2.00 m
weight	2000 kg

For more detailed explanation of the quality characteristics see price list.



6.70000

Play value

The Circular See-saw and the Springing Circle are unusual and well designed see-saw play equipment. Above all if more than two players sit or stand on them. Their special design and the selection of quality materials make them suitable for installation in pedestrian zones, on public places and similar areas in town centres. The Springing Circle can also be used as attractive alternative seating. It is pleasant to sit on the ring rocking slightly and chatting.



Order No. 6.11800 Springing Circle



Copyright © Richter Spielgeräte GmbH 10/15

Fundamental characteristics

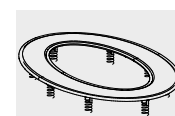
- unique and original high-quality metal design
- incentive for playing: circular shape
- exercise activity: see-sawing, jumping, balancing

**Springing Circle
Circular See-saw**

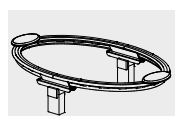
Suitable

- for children from 6 years and young people
- for public playgrounds pedestrian areas schools day-care centres

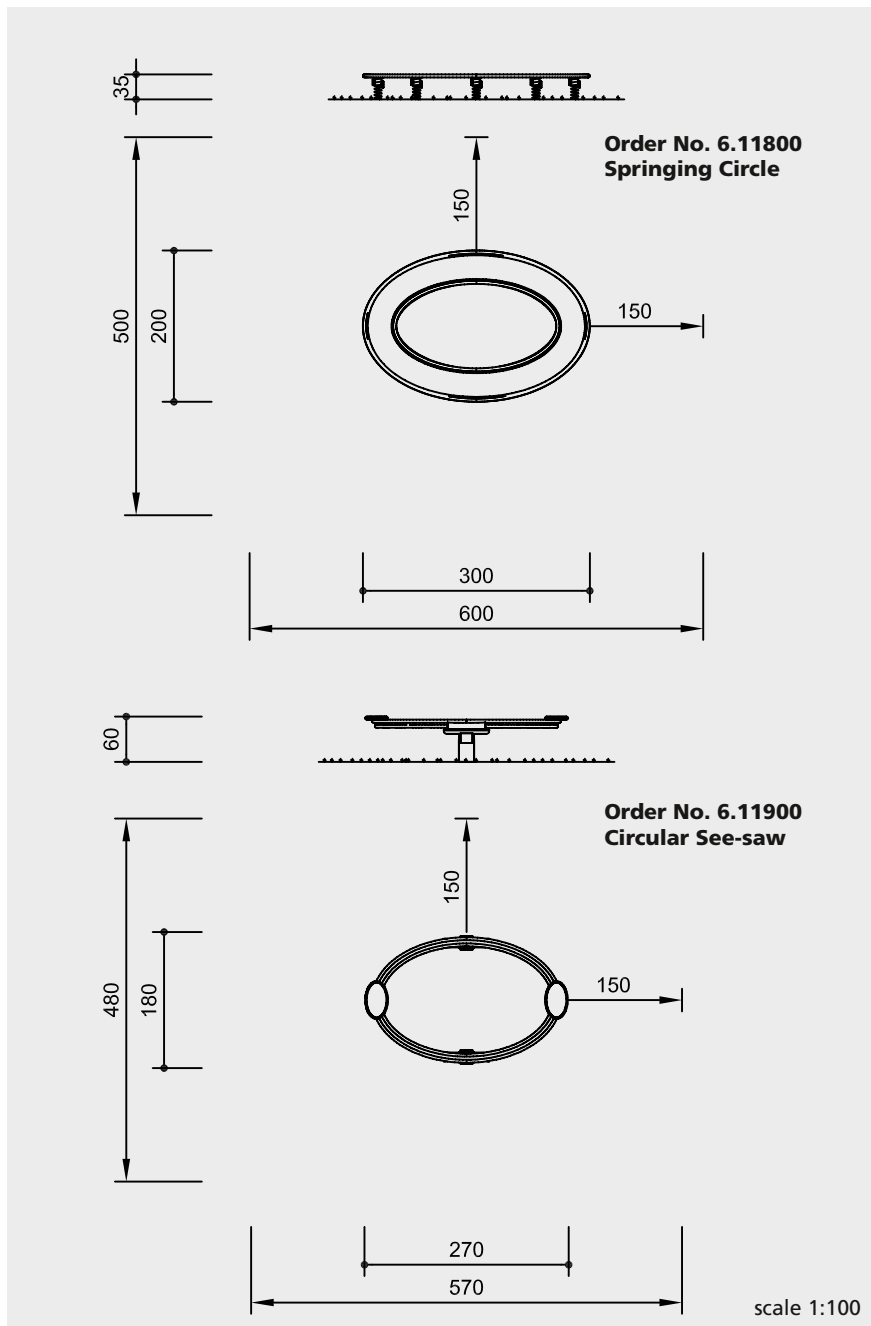
Design: R. Lex-Kerfers



6.11800



6.11900



safety check according to EN 1176

Technical information

Order No. 6.11800 Springing Circle
equipment made of stainless steel,
glass-bead blasted

springs powder coated,
standard colour red

anchoring to the ground hot-dip
galvanised

Order No. 6.11900 Circular See-saw
equipment made of stainless steel,
glass-bead blasted

plywood
seats made of three-layer waterproof
plywood of non-impregnated
mountain larch, 30 mm



hot-dip galvanised see-saw mechanism
with integrated shock absorbers

Dimensions
(small deviations possible)

Order No. 6.11800 Springing Circle

height	0.35 m
exterior dimensions	3.00 x 2.00 m
weight	185 kg

Order No. 6.11900 Circular See-saw

height	0.60 m
exterior dimensions	2.70 x 1.80 m
weight	170 kg

Please refer to the price list for a more detailed explanation of the quality characteristics.

Components

Order No. 6.11800 Springing Circle
1 springing circle with springs, clamps
and foundation anchors

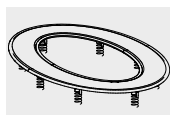
Order No. 6.11900 Circular See-saw
1 circular See-saw with 2 support posts

Installation information

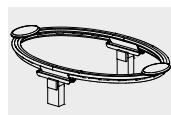
Surfacing requirements
corresponding to a fall height of
order No. 6.11800 Springing Circle ≤ 0.60 m
order No. 6.11900 Circular See-saw ≤ 1.00 m
(please refer to price list for more detailed
information)

Foundations
order No. 6.11800 Springing Circle
8 items 40 x 40 x 50 cm
excavation depth 60 cm
order No. 6.11900 Circular See-saw
2 items 60 x 60 x 60 cm
excavation depth 80 cm

Attention:
**Exact measurements may vary; for all
installation dimensions refer to current
assembly instructions.**
Technical changes reserved.



6.11800



6.11900



Order No. 6.30000 Rocking Plate

Play value

The flat metal plates with the fixed approach ramps and a moving part, for turning, require no foundations. They are light enough to move with a trailer but heavy enough so that they cannot be moved by vandals. Their stability also allows wheelchair users and people with cycles and mopeds to drive on and over them. The ground plates of metal are a discreet but effective play item for pedestrian areas, schoolyards and playgrounds, and stimulate active play.

Fundamental characteristics

- unique and original
- offer for active play with integrative character
- also suitable for wheelchair users
- incentive for playing: surprising element on the ground
- movement: rocking

Suitable

- for children from 5 years and young people
- for pedestrian zones
- school playgrounds
- leisure areas
- rehabilitation centres
- institutions for people with special needs

Barrier-free

- special exercise experience
- with a carer



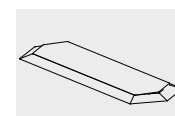
Rocking Plate
Hexagonal Rocking Plate



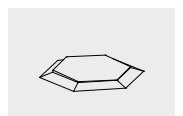
Order No. 6.31000 Hexagonal Rocking Plate

Advice

An adequate surface design helps to avoid passers-by stepping on the plates unintentionally and thus improves safety.

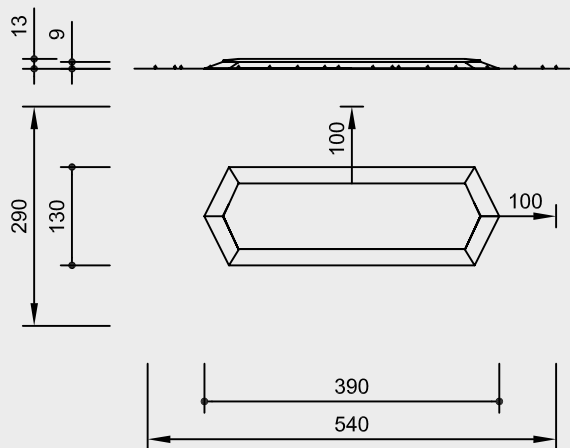


6.30000

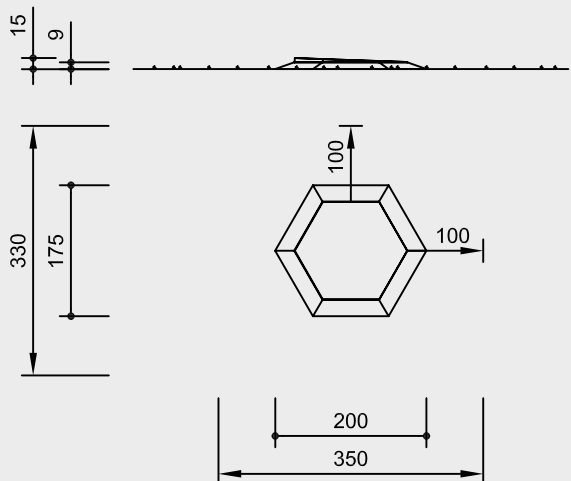


6.31000

Order No. 6.30000 Rocking Plate



Order No. 6.31000 Hexagonal Rocking Plate



scale 1:100

Technical information

Steel construction, hot-dip galvanised, padded underneath with vulcanised foam rubber to reduce sound level

ball bearing

rocking mechanisms using ball bearings, low-maintenance



Dimensions

(small deviations possible)

Order No. 6.30000 Rocking Plate

height	0.09 m / 0.13 m
length	3.90 m
width	1.30 m
weight	275 kg

Order No. 6.31000 Hexagonal Rocking Plate

height	0.09 m / 0.15 m
diameter	1.75 m
weight	230 kg

For more detailed explanation of the quality characteristics see price list.

Safety check according to EN 1176

Components

one part complete ready for play

Installation information

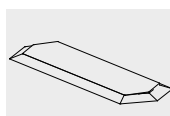
Surfacing requirements corresponding to a fall height of $\leq 0,60$ m (please refer to price list for more detailed information)

Foundations
no foundations necessary

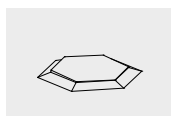
Attention:

Exact measurements may vary, for all installation dimensions refer to current installation instructions.

Technical changes reserved.



6.30000



6.31000

Play value

A three-part see-saw plate is mounted on joints in a protective frame. The see-saw motion is generated by rolling to and fro or through corresponding body movement while walking. Mutual action, the stimulation of playing together and having to cooperate are the valuable elements of this equipment. Here, wheelchair users and the able-bodied, big people and little ones, heavy and light as well as old and young can all play together. Playing on it gives the impression of physically moving a part of the path or ground.

Fundamental characteristics

- sturdy construction, no foundation required
- incentive for playing: handrails, curiosity
- exercise activity: see-sawing, moving one's centre of gravity, balancing

Suitable

- for anyone with or without wheelchair
- for public playgrounds
play areas for people with special needs
schools
- as an exciting installation alongside paths



Colour design not included



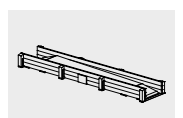
Handrails lowered, refer to rear page

Wheelchair See-saw

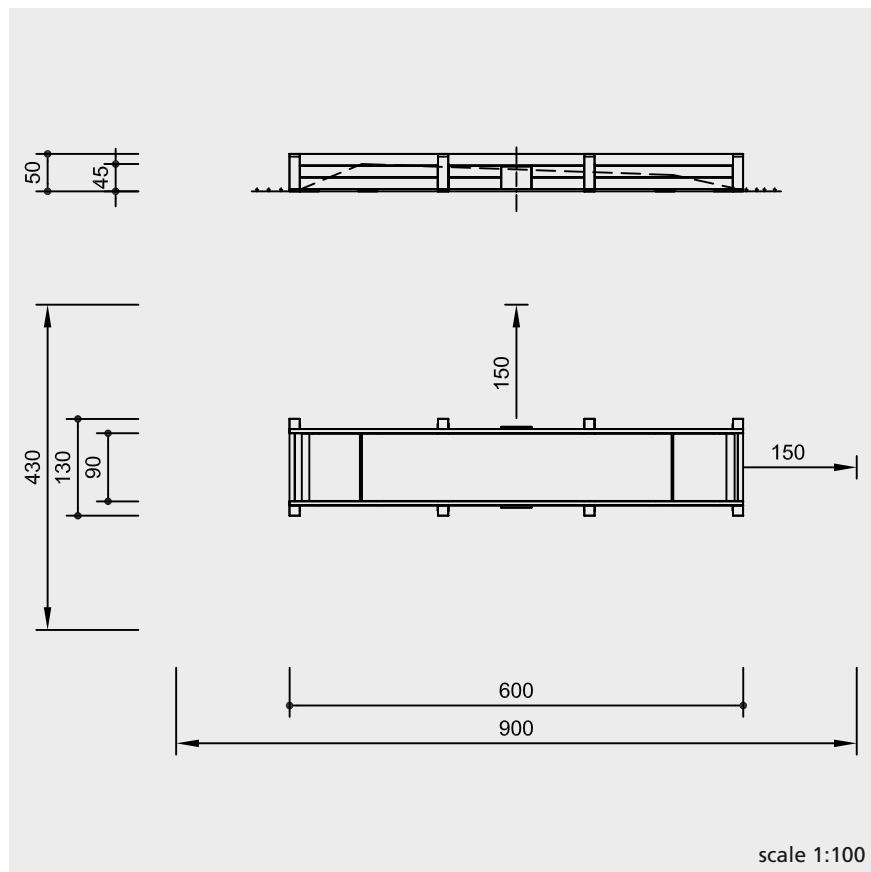


Barrier-free

- special exercise experience



6.75010



safety check according to EN 1176

Technical information

equipment of non-impregnated mountain larch

core-free timber

sawn timbers core-free, thus decreasing occurrences of cracking



brass bush

for all to and fro movements we use bush bearings which allow for self-lubrication while in use



side parts of square timber, edges of handrails rounded off

see-saw plate of waterproof plywood 27 mm, with anti-slip coating; screwed onto a stable steel frame

maintenance-free pivot bearings

ramp lips glide on plastic bearings, connected by solid strap hinges

Dimensions

(small deviations possible)

height	0.50 m
length	6.00 m
external width	1.30 m
internal width	0.90 m
weight	660 kg

Please refer to the price list for a more detailed explanation of the quality characteristics.

Components

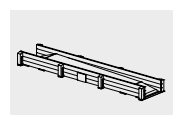
1 complete piece of equipment with integrated see-saw area and 2 ramps

Installation information

Surfacing requirements corresponding to a fall height of ≤ 0.60 m (please refer to price list for more detailed information)

Foundations none – only level ground required

Attention:
Exact measurements may vary; for all installation dimensions refer to current assembly instructions.
 Technical changes reserved.



6.75010

Play value

Children like to exercise on all manner of things and particularly enjoy a mobile ground surface on which skill can be tested. In order to get the rocking plank moving, it is necessary to jump up and down vigorously - the harder the better here. The Totter Path also challenges participants to jump vigorously. The floor surface of the equipment moves, centrally mounted, similar to a see-saw, up and down and children can take out their natural energy on it without danger.



Order No. 6.52300 Totter Path

Fundamental characteristics

- incentive for playing: handrail, springs, see-sawing surface
- movement: jumping, rocking, wobbling

Suitable

- for children from 6 years
- for public playgrounds
- playgrounds near houses
- school playgrounds
- leisure areas
- outdoor swimming pools
- pedestrian areas
- institutions for people with special needs
- for installation alongside paths

Barrier-free

- special exercise experience
- with a carer

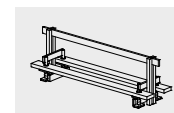


Standard colour of springs: red

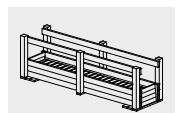
**Rocking Plank
Totter Path**

Copyright © Richter Spielgeräte GmbH 10/15

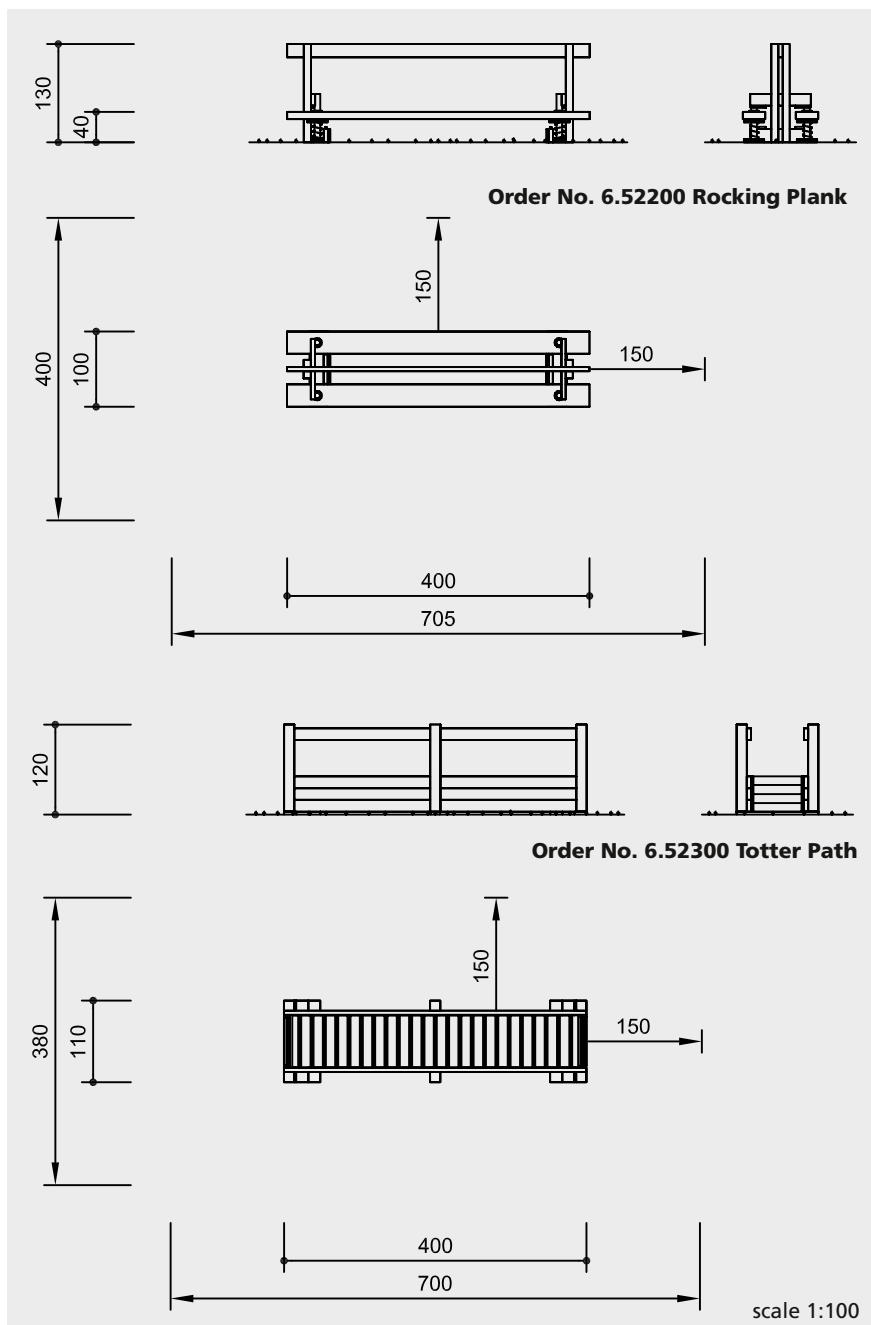
Design H. Kükelhaus



6.52200



6.52300



Safety check according to EN 1176

Components

Order No. 6.52200 Rocking Plank

- 2 support frames with 2 springs each
- 2 planks
- 1 handrail
- 4 foundation irons

Order No. 6.52300 Totter Path

- 1 totter path with foundation anchor

Installation information

Surfacing requirements corresponding to a fall height of ≤ 0.60 m (please refer to price list for more detailed information)

Foundations

Order No. 6.52200 Rocking Plank

- 2 items 50 x 120 x 27 cm
- excavation depth 50 cm

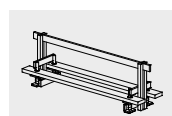
Order No. 6.52300 Totter Path

- 2 items 40 x 40 x 30 cm
- excavation depth 50 cm

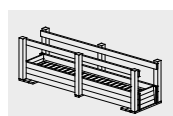
Attention:

Exact measurements may vary, for all installation dimensions refer to current installation instructions.

Technical changes reserved.



6.52200



6.52300

Technical information

Order No. 6.52200 Rocking Plank

equipment of non-impregnated mountain larch

core-free timbers

sawn timbers are core-free, by that formation of cracks can be reduced



ground anchor

all parts used for anchoring to the ground made of hot-dip galvanised steel



round timbers of ash, Ø 80 mm

springs powder coated, standard colour red

Order No. 6.52300 Totter Path

equipment of non-impregnated mountain larch

core-free timbers

sawn timbers are core-free, by that formation of cracks can be reduced



claddings

thickness 4 - 5 cm, de-barked by hand



brass bush

sturdy mechanism: for all to and fro movements we use bush bearings which allow for self-lubrication while in use and which can be easily exchanged in case of need



ground anchor

all parts used for anchoring to the ground made of hot-dip galvanised steel



foundation anchor coated

Dimensions

(small deviations possible)

Order No. 6.52200 Rocking Plank

- height 1.30 m
- height of boards 0.40 m
- length 4.00 m
- width 1.00 m
- weight 300 kg

Order No. 6.52300 Totter Path

- height 1.20 m
- length 4.00 m
- width 1.10 m
- weight 450 kg

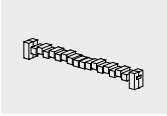
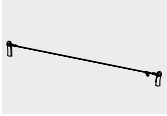

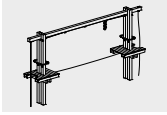
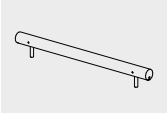
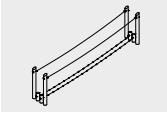
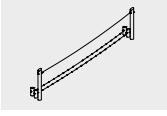
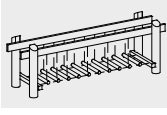
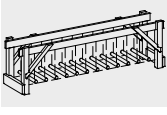
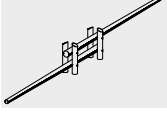
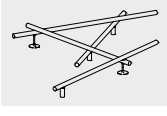
For more detailed explanation of the quality characteristics see price list.

D Movement

- 1 Cableways
- 2 Turning
- 3 Swinging · swaying · rocking
- 4 Jumping · see-sawing · wobbling
- 5 **Balancing**
- 6 Sliding
- 7 Climbing
- 8 Free-standing bridges

Play offers that challenge skill and balance are often used for testing or displaying abilities. If the construction of the equipment results in unexpected movements that require concentration and if a certain risk is involved in playing, the play offer is especially attractive. Finding your balance and keeping it is not only an outer but also an inner condition. Play offers that help to find physical balance also promote inner balance.

D 5 Balancing

Order No. Item	page	Order No. Item	page
			
6.51700 Balance Blocks	423	7.15500 Slackline	435
			
6.51500 Rotating Beam	425	7.75004 High Balancing Rope	437
			
6.81000 Balancing Beam	425		
			
6.51800 Climbing Ropes basic element	427		
			
6.51805 Climbing Ropes for attachment	427		
			
6.52000 Chain Path	429		
			
6.52100 Free-standing Chain Path	429		
			
7.15000 Lounging Logs	431		
			
6.50600 Jackstraws See-Saw	433		

Play value

Blocks with unevenly positioned drill-holes are strung on two parallel wires running side by side and highly tensioned. Because of the differences in height of their centres of gravity, some of the wooden blocks are sturdy or loose and wobbly. The result is a stimulating balance trail along which skill and body awareness can develop. It is also fun to have playful competitions on the blocks. The Balance Blocks can be used as an attractive play accompaniment to paths or can be easily integrated into an activity trail.



Copyright © Richter Spielgeräte GmbH 10/15

Design G. Olessak

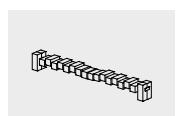
Fundamental characteristics

- unique and original
- each block reacts to the user and its weight according to its position on the rope
- incentive for playing: positioning of the blocks in different heights
- movement: balance, coordination

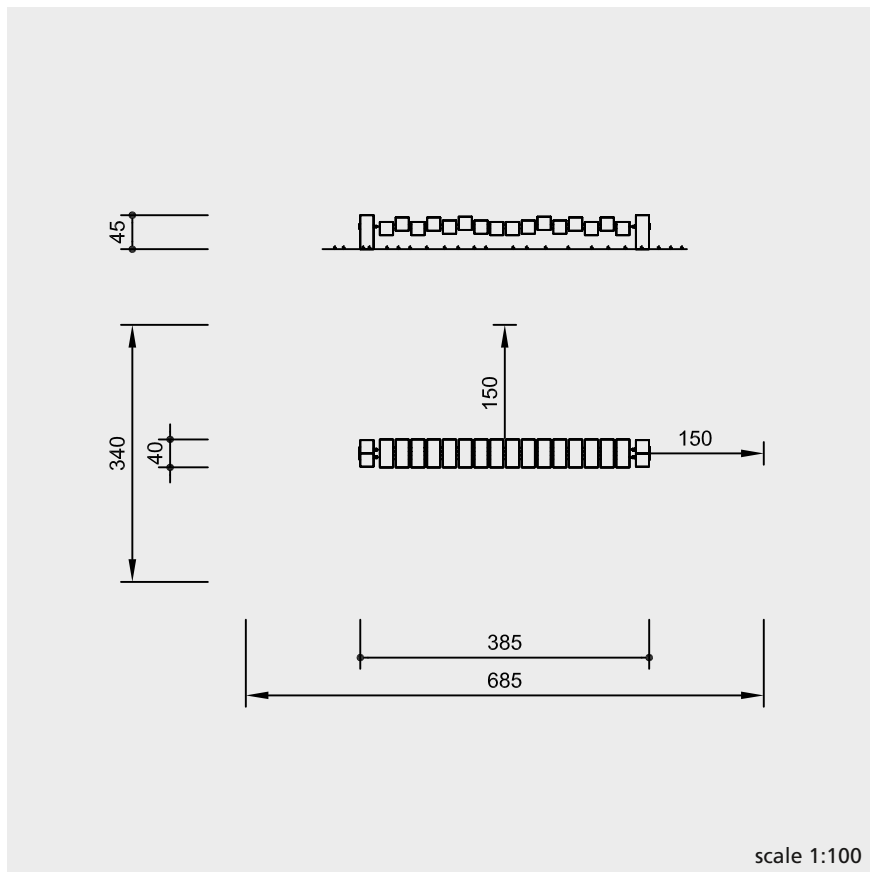
Balance Blocks

Suitable

- for children from 4 years
- for public playgrounds
- institutions for children
- excursion areas
- school playgrounds
- outdoor swimming pools



6.51700



Safety check according to EN 1176

Components

- 2 support frames
- 1 walkway
- 2 square timbers for reinforcement

Installation information

Surfacing requirements corresponding to a fall height of ≤ 0.60 m

Foundations
2 items 50 x 70 x 55 cm
excavation depth 75 cm

Attention:
Exact measurements may vary, for all installation dimensions refer to current installation instructions.
Technical changes reserved.
Support frames also available in hot-dip galvanised steel.

Technical information

equipment of non-impregnated mountain larch

core-free timbers

sawn-timbers, core-free, square timbers 18/18 cm



aluminium swages

double-conical aluminium swages with rounded-off ends



rope connection with joint

close fitting connection without dangerous openings; the bearing consists of one brass bush



adjustable

no projecting threads after re-tightening due to two-piece bolt connection and therefore easy to maintain



brass bush

for all to and fro movements we use bush bearings which allow for self-lubrication while in use and which can be easily exchanged in case of need



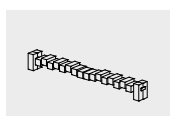
carrying rope \varnothing 18 mm of "Hercules type" with steel core, suspended from drop-forged joints

Dimensions

(small deviations possible)

height	0.45 m
length	3.85 m
width	0.40 m
weight	250 kg

For more detailed explanation of the quality characteristics see price list.



6.51700



Play value

The Rotating Beam is balancing equipment with a higher degree of difficulty, which requires strong, swift physical movement in order to retain balance. It stimulates children to play competitively and in groups. A 5-m-long horizontal balancing beam with rotating ends is fixed about 30 cm above the ground to supporting wooden posts. The Rotating Beam is also interesting equipment when installed alongside paths.

The Balancing Beam is a piece of gymnastic equipment that promotes body awareness and balance and above all also allows small children to experience a sense of achievement without any danger.

Fundamental characteristics

- the bearings of the beam are fitted eccentrically in order to prevent the beam from rotating too quickly: the length of the beam ensures this effect
- incentive for playing: due to its position, almost as if by chance
- exercise activity: balance, body coordination

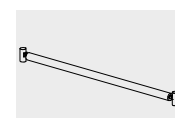
Suitable

- rotating beam for children from 6 years and young people
- balancing beam for children from 4 years
- for public playgrounds
playgrounds situated near houses
day-care centres
leisure areas
school playgrounds
outdoor swimming pools

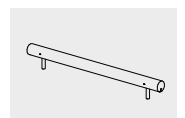


Order No. 6.81000 Straight Balancing Beam

**Rotating Beam
Straight Balancing Beam**



6.51500

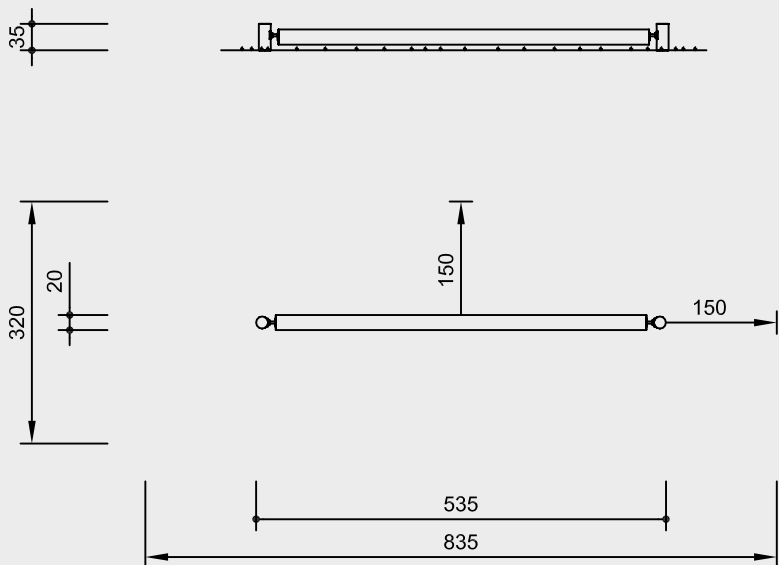


6.81000

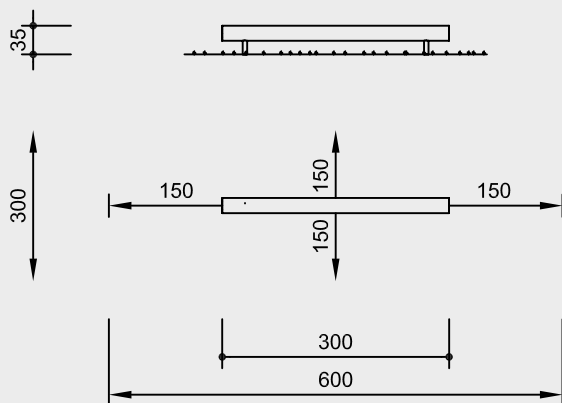
Copyright © Richter Spielgeräte GmbH 10/15

Design: J. Krause

6.51500 Rotating Beam



6.81000 Straight Balancing Beam



scale 1:100

safety check according to EN 1176

Components

6.51500 Rotating Beam

1 rotating beam
2 stand posts of robinia

6.81000 Straight Balancing Beam

1 balancing beam, length 3 m
with 2 hot-dip galvanised steel feet

Installation information

Surfacing requirements corresponding to a fall height of ≤ 0.60 m (please refer to price list for more detailed information)

Foundations

6.51500 Rotating Beam

2 items 60 x 60 x 60 cm
excavation depth 80 cm

6.81000 Straight Balancing Beam

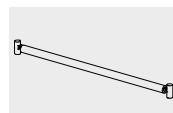
2 items 50 x 50 x 40 cm
excavation depth 60 cm

Attention:

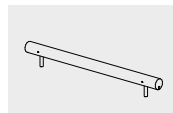
Exact measurements may vary; for all installation dimensions refer to current assembly instructions.

Technical changes reserved.

The stand posts of the rotating beams are also available made of galvanised steel.



6.51500



6.81000

Technical information

6.51500 Rotating Beam

de-barked

de-barked beam of non-impregnated mountain larch, stand posts of robinia



ball bearings

low-maintenance, easily replaceable ball bearings enable the rotation



6.81000 Straight Balancing Beam

de-barked

de-barked beam, \varnothing 18 - 21 cm, of non-impregnated mountain larch



ground anchor

all parts used for anchoring to the ground made of hot-dip galvanised steel



Dimensions

(small deviations possible)

6.51500 Rotating Beam

height 0.35 m
length 5.35 m
length of beam 4.90 m
diameter 0.20 m
weight 150 kg

6.81000 Straight Balancing Beam

height 0.35 m
length of beam 3.00 m
diameter 0.20 m
weight 60 kg

Please refer to the price list for a more detailed explanation of the quality characteristics.



Order No. L6.51800 basic element made of larch

Play value

The equipment „Climbing Ropes“ is particularly suited to make use of height changes in the landscape. Hills and dales are structured and at the same time, ground and plant are protected from play activities. The simple, but clever rope construction, makes climbing activities in both directions a playful challenge. Aluminium swages on the walking ropes allow for a firm step despite all difficulties. The Climbing Ropes represent an attracting basic element of activity trails. The rope length can vary and various connecting elements can be combined as the planning requires. Parallel running climbing ropes, as shown, are particularly attractive.

Fundamental characteristics

- unique and original
- designed as a plant protecting climbing element with a strong attraction to children
- incentive for playing: suspended ropes with aluminium swages
- movement: balance, coordination

Suitable

- for children from 6 years
- for public playgrounds
leisure areas
youth centres
school playgrounds

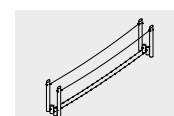


The standard colour of the ropes is red.

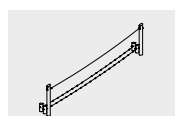
Climbing Ropes
basic element
Climbing Ropes
element for attachment



L6.51800 basic element and L6.51805 element for attachment with support posts in larch square timber

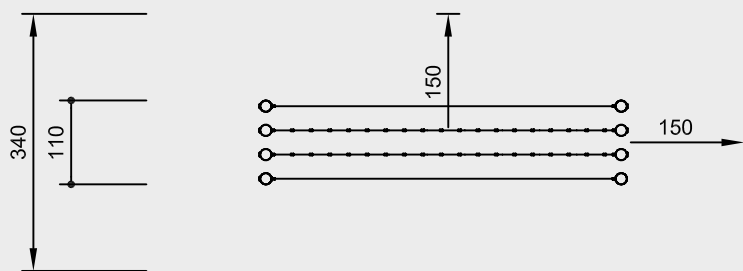
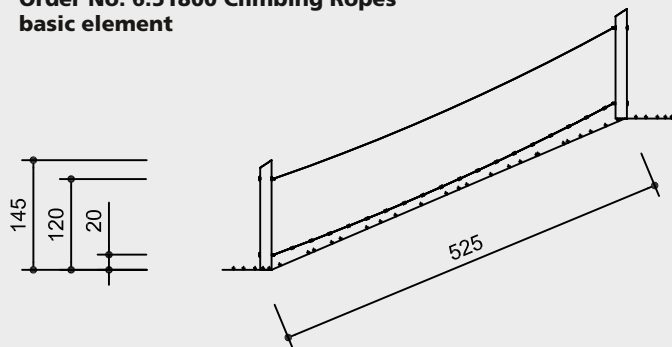


6.51800

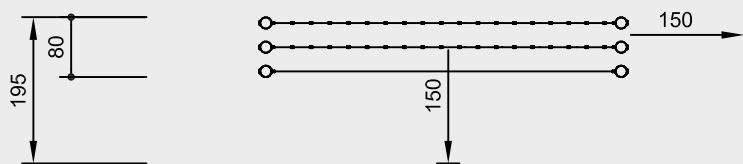


6.51805

**Order No. 6.51800 Climbing Ropes
basic element**



**Order No. 6.51805 Climbing Ropes
for attachment**



scale 1:100

Safety check according to EN 1176

Components

**Order No. 6.51800 Climbing Ropes
basic element**

2 support frames with
2 walking ropes and 2 holding ropes

**Order No. 6.51805 Climbing Ropes
element for attachment**

2 support frames with
2 walking ropes and 1 holding rope

Installation information

Surfacing requirements
corresponding to a fall height of ≤ 0.60 m

Foundations

Basic element

2 items 60 x 150 x 60 cm
excavation depth 80 cm

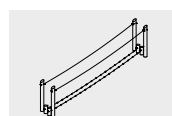
Element for attachment

2 items 60 x 100 x 60 cm
excavation depth 80 cm

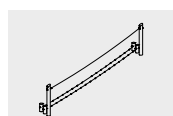
The inclination depends on the local
situation.

Attention:

**Exact measurements may vary, for
all installation dimensions refer to
current installation instructions.**
Technical changes reserved.
**Support posts also available in oak
square timber or in steel square pipe.**



6.51800



6.51805

Technical information

de-barked posts

de-barked posts, \varnothing 15 - 18 cm, of
spruce/fir, boiler pressure impregnated
according to DIN 68800-3, use class 4



angle cut

vertical support posts with angle cut in
the end grain section as constructive
wood preservation



perforated

the earth/air zone of the wood is
perforated by small bore holes to
ensure that the impregnating agent
penetrates this particularly endangered
zone



Corocord® rope

special ropes of "Hercules type"

19 mm six-strand Corocord® rope of
the special "Hercules type", abrasion
protected through heating of the six
steel strands and melting the polyamide
sleeve onto them, standard colour red



aluminium swages

walking ropes with double-conical
aluminium swages with rounded-off
ends, \varnothing 30 mm



rope connection fixed

close fitting connection without
dangerous openings



concealed head

large surface for pressure distribution,
prevents water from getting inside,
protects the bolt head



adjustable

no projecting threads after re-tighten-
ing due to two-piece bolt connection
and therefore easy to maintain



Dimensions

(small deviations possible)

length	5.25 m
width basic element	1.10 m
width for attachment	0.80 m
height of walking ropes	0.20 m
height of holding ropes	1.20 m
weight	180 kg

For more detailed explanation of the
quality characteristics see price list.

Play value

The Chain Path consists of carefully mounted running bars which swing harmonically under load. This interesting linking element is a challenge for skills and concentration and is a relaxation for tired feet. The Chain Path is also available as access equipment for slopes as access equipment for slopes.

Fundamental characteristics

- The use of wood provides for a special tactile experience.
- incentive for playing: round timbers suspended on chains
- movement: balancing, swinging, walking, coordination

Suitable

- for children from 4 years
- for public playgrounds
playgrounds situated near houses
children's homes
school playgrounds
outdoor swimming pools
leisure areas for those with special needs

Barrier-free

- special exercise experience
- with a carer



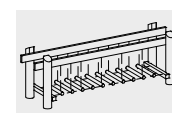
Free-standing Chain Path with protecting path through



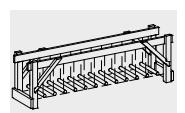
Chain Path
Free-standing **Chain Path**



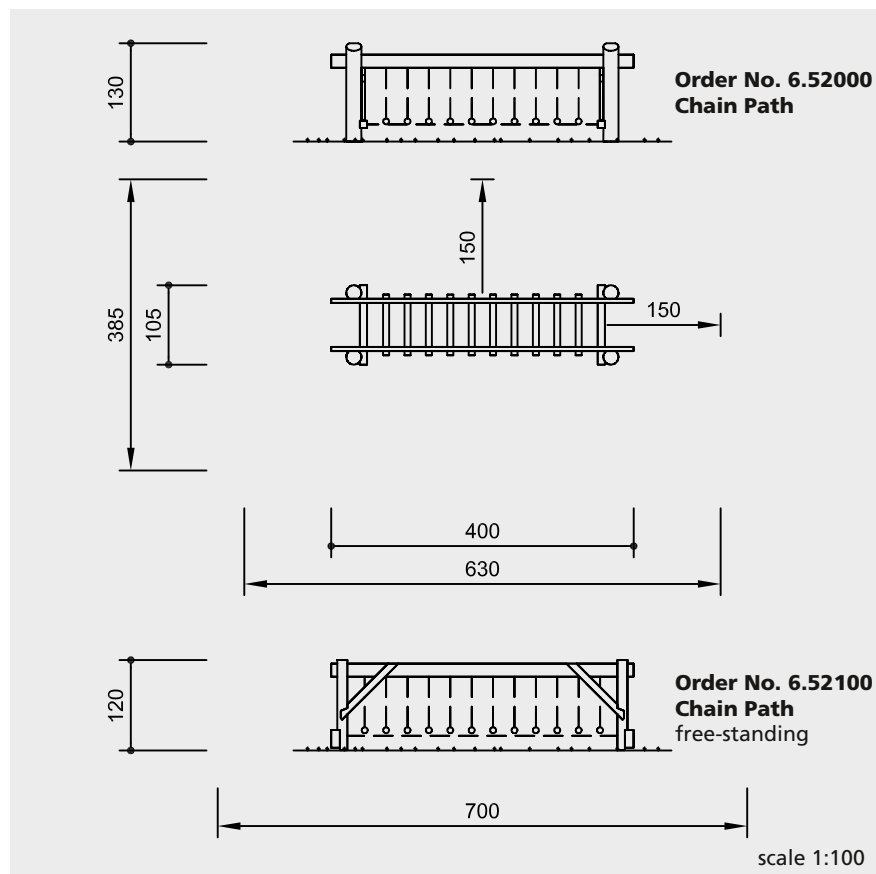
Order No. 6.52000 Chain Path



6.52000



6.52100



Safety check according to EN 1176

Technical information

equipment of non-impregnated mountain larch

de-barked posts
de-barked posts, Ø 18 - 21 cm, for
Order No. 6.52000 Chain Path
running bars Ø 80 mm



angle cut
vertical support posts with angle cut in the end grain section as constructive wood preservation



core-free timbers
sawn-timbers are core-free, by that formation of cracks can be reduced



concealed head
large surface for pressure distribution, prevents water from getting inside, protects the bolt head



adjustable
no projecting threads after re-tightening due to two-piece bolt connection and therefore easy to maintain



chains
suspended on short-link chains, 6 mm, welded before hot-dip galvanisation (stainless steel chains available on request)



For more detailed explanation of the quality characteristics see price list.

Components

Order No. 6.52000 Chain Path
2 support frames of round posts
2 handrails with chains and
10 running boards

Order No. 6.52100 Chain Path free-standing
1 Chain Path complete
with 12 running boards

Installation information

Surfacing requirements corresponding to a fall height of ≤ 0.60 m (please refer to price list for more detailed information)

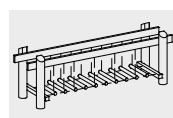
Foundations
Order No. 6.52000
4 items 60 x 60 x 60 cm
excavation depth 80 cm

Attention:
Exact measurements may vary, for all installation dimensions refer to current installation instructions.
Technical changes reserved.
Chain Path Order No. 6.52000 also available with steel feet.

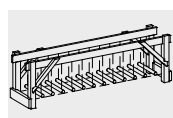
Dimensions

(small deviations possible)

height	1.20 - 1.30 m
walking height	0.30 m
length	4.00 m
width	1.05 m
weight	
Order No. 6.52000	180 kg
Order No. 6.52100	300 kg



6.52000



6.52100

Play value

Demarcation, sitting possibility, equipment for games of skills and for experiencing movements. All this is given by the „Lounging Logs“ installation. This equipment is suited to define play areas and to separate play equipment for different age groups in a positive way. In particular, alternative places to sit, are offered to young people. If someone wants to stand out, they can balance along the beams projecting on both sides. Restlessness and strain can be reduced while slightly rocking up and down on the beams. Furthermore, communication is encouraged, when several children are swinging up and down together.

Fundamental characteristics

- unique and original
- the conical shape of the long logs makes the installation sway
- incentive for playing: long logs with colour accents
- movement: balancing, swinging, sitting, rocking

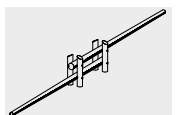
Suitable

- for children from 6 years and young people
- for public playgrounds
- institutions for young people
- school playgrounds
- resorts for day trippers

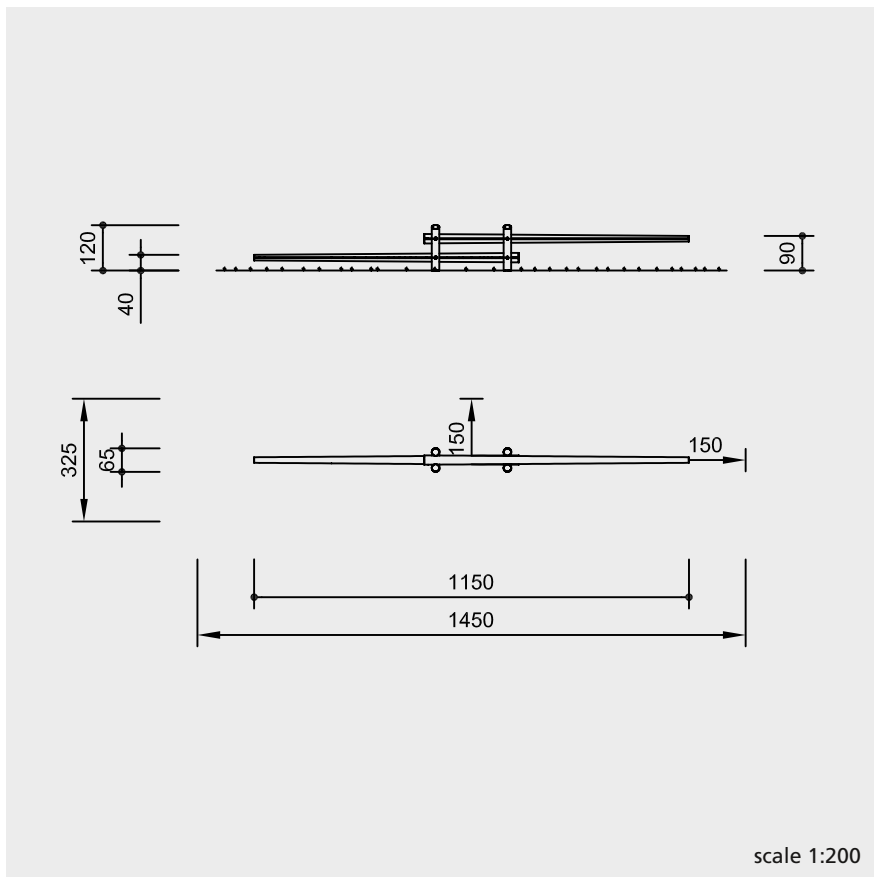


standard colour red

Lounging Logs



7.15000



Safety check according to EN 1176

Components

2 beams for sitting and playing
4 standing posts

Installation information

Surfacing requirements corresponding to a fall height of ≤ 1.00 m (please refer to price list for more detailed information)

Foundations
1 item 310 x 120 x 40 cm
excavation depth 80 cm
concrete reinforcement needs to be provided for on site

Attention:
Exact measurements may vary, for all installation dimensions refer to current installation instructions.

Technical changes reserved.
Standing posts also available in steel.

Technical information

de-barked beams
horizontal beams \varnothing 15 - 25 cm, de-barked, of non-impregnated mountain larch, support posts of robinia \varnothing 18 - 21 cm



angle cut
vertical support posts with angle cut in the end grain section as constructive wood preservation



strong fastening
bolt connections with milled metal rings for connections which are stressed cross-wise



connection of horizontal beams to the support posts according to static requirements

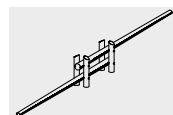
solvent-free acrylic paints are used for colouring; the wood is processed in a way which allows the structure of the wood to remain clearly visible, standard colour red

Dimensions

(small deviations possible)

height	1.20 m
length	11.50 m
length of horizontal beams	7.00 m
width	0.65 m
weight	650 kg

For more detailed explanation of the quality characteristics see price list.



7.15000

Function and Play value

The wooden beams „lying around accidentally“, belong to a sophisticated play construction which is not recognised at first glance. It is possible to rock on the wooden beams, to bounce up and down and to balance along them. This is a challenge for body control and co-ordination. When force and pressure are applied at one point of the system, the other beams move unexpectedly, as in the case of playing jackstraws. This effect is even more fun when several persons participate.



Fundamental characteristics

- unique and original
- high-quality shock absorbing construction
- incentive for playing: long beams invite for balancing
- movement: balancing, bouncing up and down, rocking, sitting

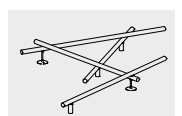
Jackstraws See-saw

Suitable

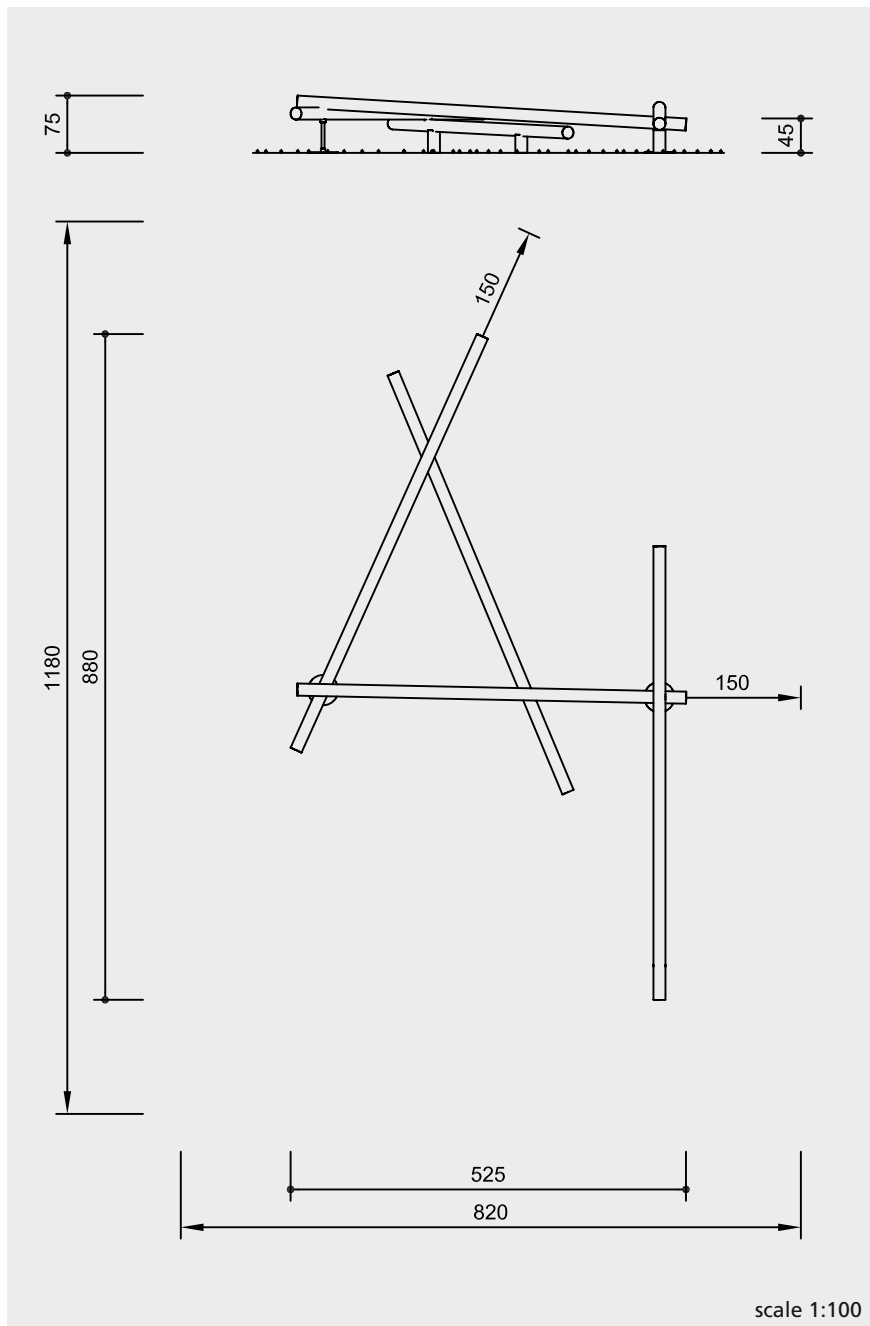
- for children from 6 years and young people
- for public playgrounds
school playgrounds
leisure areas
parks

Planning information

To prevent the underground parts of the mechanism from being damaged, we strongly advise against installing the equipment in sand.



6.50600



Safety check according to EN 1176

Components

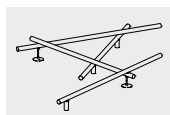
- 4 balancing beams
- 3 support posts of robinia
- 2 shock absorbers on pre-fabricated concrete foundations

Installation information

Surfacing requirements corresponding to a fall height of ≤ 1.00 m (for more detailed information see price list)

Foundations
 3 items 60 x 60 x 40 cm
 excavation depth 60 cm
 2 pre-fabricated concrete foundations
 excavation 100 x 100 x 60 cm

Attention:
Exact measurements may vary, for all installation dimensions refer to current installation instructions.
 Technical changes reserved.
Support posts also available in steel.



6.50600

Technical information

de-barked posts

de-barked posts, \varnothing 15 - 18 cm, of non-impregnated mountain larch, support posts of robinia



concealed head

large surface for pressure distribution, prevents water from getting inside, protects the bolt head



adjustable

no projecting threads after re-tightening due to two-piece bolt connection and therefore easy to maintain



strong fastening

bolt connections with milled metal rings for connections which are stressed cross-wise



end grain connectors

special adjustable fittings for connecting horizontal timbers to standing timbers



moveable beams connected by rubber buffers

impact of see-sawing absorbed by shock absorbers on pre-fabricated concrete foundations

Dimensions

(small deviations possible)

height	0.75 m
length of 3 beams	6.00 m
length of 1 beam	5.05 m
weight	550 kg

For more detailed explanation of the quality characteristics see price list.

Play value

A new level of exercise is created by simply stretching a line. Leaving the normally solid ground beneath you, suddenly poses completely new challenges. The continuous forwards movement makes first mastering the capricious system a must. Playing companions or an accompanying person can offer a fixed point for the tightrope walker at the beginning act. The continuously evasive line pushes the user towards increasingly successful methods to triumph over the unsteadiness in free space. It quickly becomes clear that continuous balancing movements and control over the body's centre of gravity are the decisive skills needed to accomplish forwards moment. Progressive exercises with backwards walking, knee stands or an inclined line remain an option for the practised user.



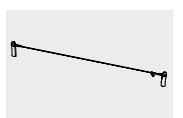
Fundamental characteristics

- intensification of standard balancing offers
- promotes complex physical control
- exercise activity: equilibrium, body tension, balance

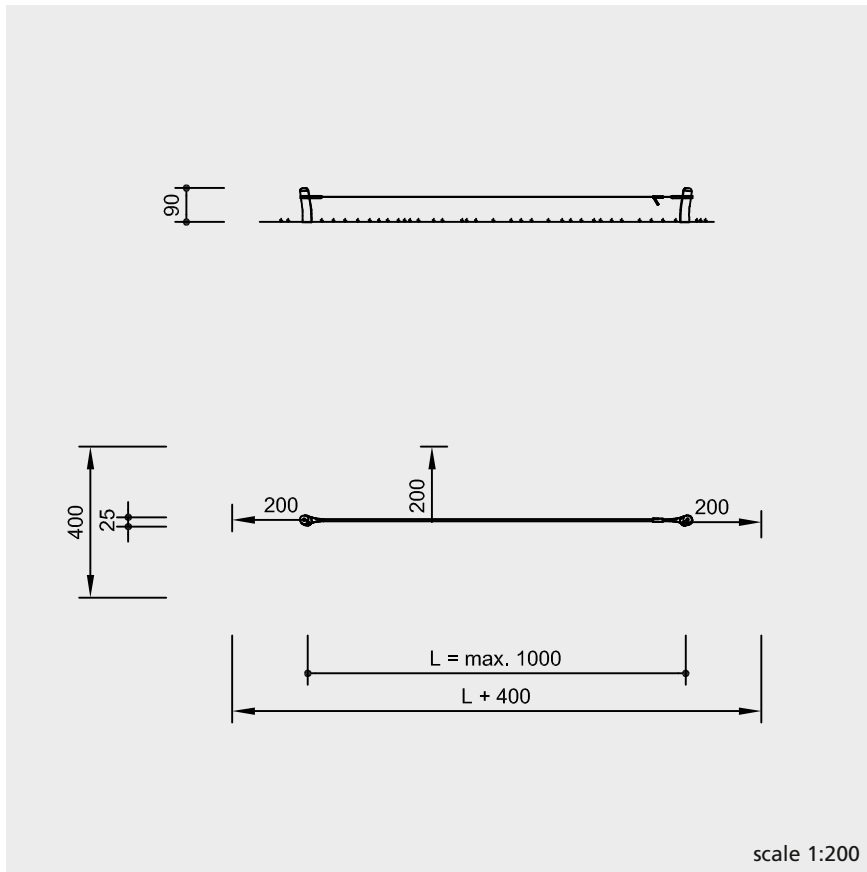
Suitable

- for children from 6 years and young people
- leisure areas
parks
outdoor swimming pools

Slackline



7.15500



Technical information

de-barked posts

stand post de-barked, Ø ca. 25 cm
robinia



angle cut

vertical stand posts with angle cut in the end grain section as constructive wood preservation



textile belt, standard colour blue

Dimensions

(small deviations possible)

distance between stand posts up to 10 m possible

width of belt 50 mm

weight 200 kg

Safety check according to EN 1176

Components

- 2 stand posts
- 1 belt incl. fastening material
- capacity up to 150 kg

Installation information

Surfacing requirements corresponding to a fall height of ≤ 1.00 m (please refer to price list for more detailed information)

Recommendation: lawn, sand, gravel or wood chips

Foundations

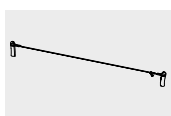
2 items 100 x 100 x 100 cm
excavation depth 120 cm

Attention:

Exact measurements may vary, for all installation dimensions refer to current installation instructions.

Technical changes reserved.

Equipment also available with steel posts.



7.15500

Play value

As a rule older children are more skilled and inclined to self-confidence than younger ones. Therefore, they are in a position to better know what they are really capable of than younger children. The two platforms at either end of the tightrope are accessible only by means of a firemen's pole or a climbing rope. This means that younger children are automatically excluded from using this apparatus. There is more risk involved in playing on the high balancing rope than with many other pieces of playground equipment. Hence it is suitable for older children and young people who want to show their greater courage and skill.



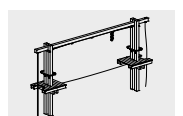
Fundamental characteristics

- unique and original
- very long tensioned rope for intense experience
- incentive for playing: adventurous situations
- movement: balancing, stretching, holding on

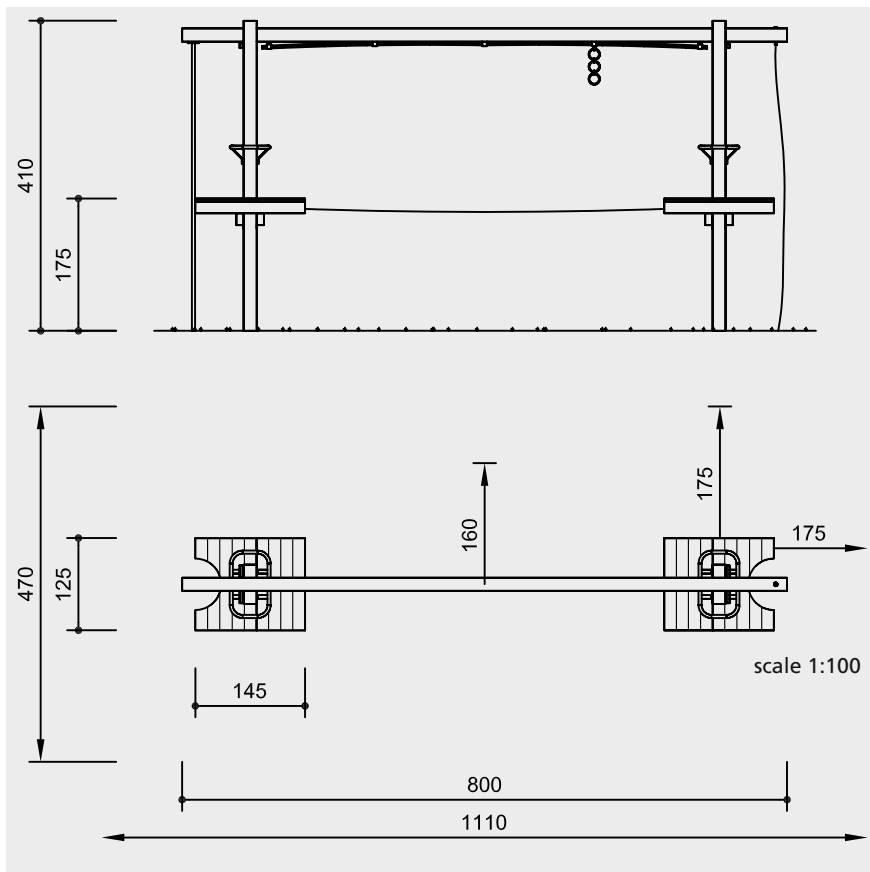
Suitable

- for children from 8 years and young people
- for public playgrounds
- school playgrounds
- institutions for young people
- outdoor swimming pools

High Balancing Rope



7.75004



Safety check according to EN 1176 and „safety in another way“

Components

- 1 equipment complete with
 - 1 firemen's pole
 - 1 climbing rope
 - 1 runner with travelling crab and grip rings
 - 1 balancing rope

equipment with balancing rope of natural coconut rope, Ø 150 mm see Order No. **7.75104** in the price list

Installation information

Surfacing requirements corresponding to a fall height of ≤ 2.00 m (please refer to price list for more detailed information)

- Foundations
- 2 items 100 x 150 x 60 cm excavation depth 80 cm
 - 1 item 40 x 50 x 50 cm excavation depth 70 cm
 - 1 item 30 x 40 x 30 cm excavation depth 50 cm

Attention:
Exact measurements may vary, for all installation dimensions refer to current installation instructions.

Technical changes reserved.

Technical information

equipment of non-impregnated mountain larch

angle cut

vertical support posts with angle cut in the end grain section as constructive wood preservation



core-free timbers

sawn timbers of support frame are core-free, by that formation of cracks can be reduced, support posts of square timber 18/18 cm



tongue and groove

platform boards of 40 mm tongue and groove boarding



Corocord® rope special ropes of "Hercules type"

climbing rope of Ø 21 mm and balancing rope of Ø 19 mm six-strand Corocord® rope of the special "Hercules type", abrasion protected through heating of the six steel strands and melting the polyamide sleeve onto them, standard colour balancing rope red, climbing rope rainbow



aluminium swages

double-conical aluminium swages with rounded-off ends



rope connection fixed

close fitting connection without dangerous openings



ground anchor

all parts used for anchoring to the ground made of hot-dip galvanised steel



firemen's pole of stainless steel, Ø 42 mm

guide rail and holding grips of stainless steel

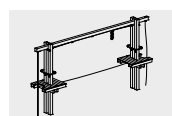
runner galvanised

Dimensions

(small deviations possible)

height	4.00 m
rope height	1.75 m
length	8.00 m
pedestal plate	1.25 x 1.45 m
weight	800 kg

For more detailed explanation of the quality characteristics see price list.




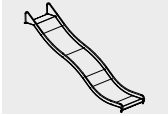
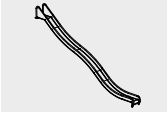
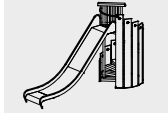
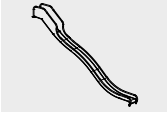





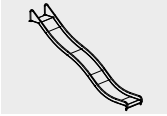
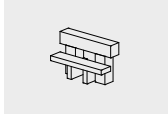
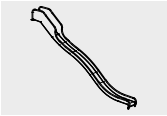
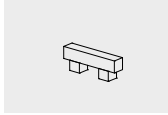

7.75004

D Movement

- 1 Cableways
- 2 Turning
- 3 Swinging · swaying · rocking
- 4 Jumping · see-sawing · wobbling
- 5 Balancing
- 6 Sliding
- 7 Climbing
- 8 Free-standing bridges

For children, experiencing different heights is a basic need. They constantly put their skills to the test and seek out the challenge of height depending on their current situation. The more difficult the way up, the better, and the higher, the more attractive the game. First, children enjoy being on top before they become daring and start their exhilarating way down. Often it is possible to see their pleasure from their satisfied look back up to the starting point after having reached the bottom.

D 6 Sliding

Order No. Item	page	Order No. Item	page
			
3.63020 - 3.63520 Slides , width 0.45 m	439	3.64240/3.64250 Slides , width 1.50 m with 1 wave, for max. critical fall height of 2.50 m	441
			
3.63220/3.63230 Slides , width 0.45 m with 1 wave, for max. critical fall height of 2.50 m	439	4.18000 Spiral Stairs Slide	443
			
3.63225/3.63235 Slides , width 0.45 m with 1 wave and higher sides	439	3.67000 Open Slide	445
			
3.63300 Stainless Steel Slide	441	3.68000 Tunnel Slide	447
			
3.63320 - 3.63280 Slides , width 1.00 m	441	3.68050 Snail Run-Out	449
			
3.63390/3.64100 Slides , width 1.00 m with 1 wave, for max. critical fall height of 2.50 m	441	3.65200 ff. Slide Support with Steps	445
			
3.63395/3.64105 Slides , width 1.00 m with 1 wave and higher sides	441	3.65250 ff. Slide Support for embankment slides	445
			
3.64200 - 3.64230 Slides , width 1.50 m	441		

Play value

Sliding is not just a stimulating experience for children but also lots of fun. Combining a slide with other equipment increases the play value. Our especially sturdy and maintenance-friendly stainless steel version has a well designed slide profile. A steep slide beginning is followed by a long, smooth exit. Higher sides also mean the maximum fall height of 2.50 m is permitted.

Fundamental characteristics

- friendly appearance
- high-quality design
- can also be installed as embankment slides
- incentive for playing: experiencing height, thrill
- exercise activity: sliding, climbing

Suitable

- for older children but also for children under 3 years old
- for public playgrounds
- leisure areas
- kindergartens
- playgrounds situated near houses



Order No 3.65200 Slide Support with Steps, width 0.45 m



Stainless steel slide with 1 wave and higher sides
Order No. 3.63225, installation height 3.00 m

Note on installation

The orientation of the slide to the South has to be avoided because of heating up of the material.

Stainless Steel Slides

width 0.45 m



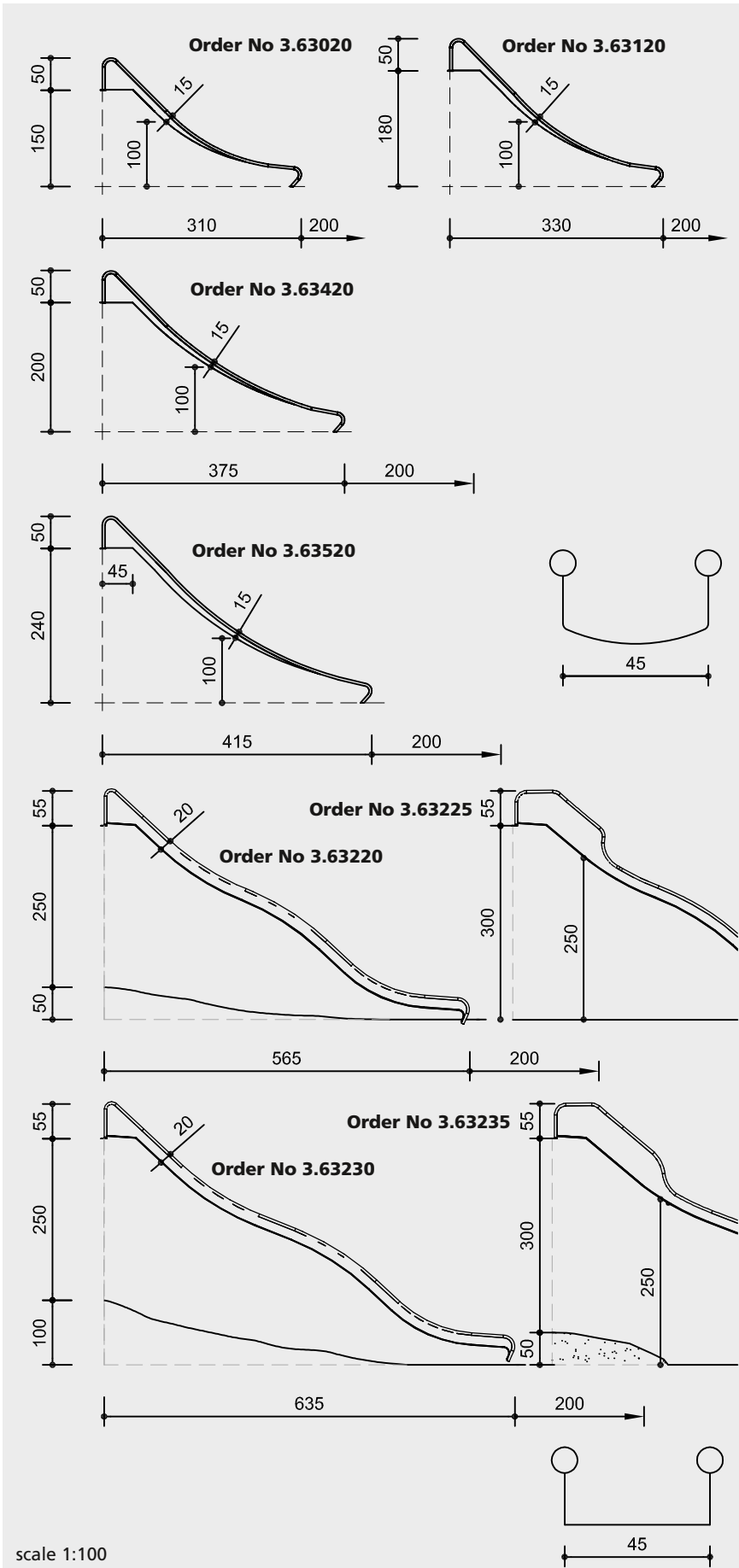
3.63020 - 3.63520



3.63220/3.63230



3.63225/3.63235

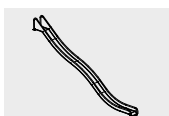


scale 1:100

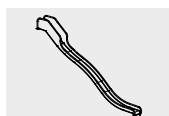
safety check according to EN 1176



3.63020 - 3.63520



3.63220/3.63230



3.63225/3.63235

Technical information

Order No.
3.63020/3.63120/3.63420/3.63520

one-piece construction
total construction of slides made of 2 mm stainless steel, mould-profiled longitudinally, no welding seams along the sliding surface, slide walls glass bead blasted



handrail tube Ø 42 mm, wall thickness 2 mm

height of sides 15 cm from fall height of 1.00 m

attached at the top and bottom with mounting plates

Order No.
3.63220/3.63230/3.63225/3.63235
total construction of slides made of stainless steel, thickness of sliding surface 2 mm, thickness of sides 2.5 mm, side walls glass-bead blasted

handrail tube Ø 42 mm, wall thickness 2 mm

minimum height of sides 20 cm

Order No. 3.63225 and 3.63235
with higher sides for fall height of more than 2.50 m
attached at the top and bottom with mounting plates

Dimensions see sketches (small deviations possible)

Order No.	Weight
3.63020	53 kg
3.63120	63 kg
3.63420	69 kg
3.63520	79 kg
3.63220	121 kg
3.63230	132 kg
3.63225	139 kg
3.63235	170 kg

Components

Order No. 3.63020/3.63120/3.63420

1 slide with ground anchor

Order No 3.63520

1 slide

Order No. 3.63220/3.63230

1 slide with 1 wave

Order No. 3.63225/3.63235

1 slide as above but with higher sides

Installation information

Surfacing requirements

depending on the installation height, embankment slides depending on the topographic situation; in the run-out area we recommend material such as sand (please refer to price list for more detailed information)

Foundations

slides with ground anchor do not need concrete foundations; all other slides

1 item 30 x 70 x 30 cm
excavation depth 70 cm

Attention:

Exact measurements may vary, for all installation dimensions refer to current assembly instructions.

Technical changes reserved.

Please refer to the price list for a more detailed explanation of the quality characteristics.

Play value

Slides are fun for big and small alike. The exhilaration of the unfamiliar, apparently risky movement is a very important part of the slide's play value. The downhill glide without doing anything other than overcoming self-doubt and being daring, is enjoyable and provides a sense of achievement. Particularly fun is tandem or twin gliding on a wide slide.



Fundamental characteristics

- friendly appearance
- high-quality design
- can also be installed as embankment slides
- incentive for playing: experiencing height, thrill
- exercise activity: sliding

Suitable

- for older children but also for children under 3 years old
- for public playgrounds
leisure areas
kindergartens
play areas situated near houses



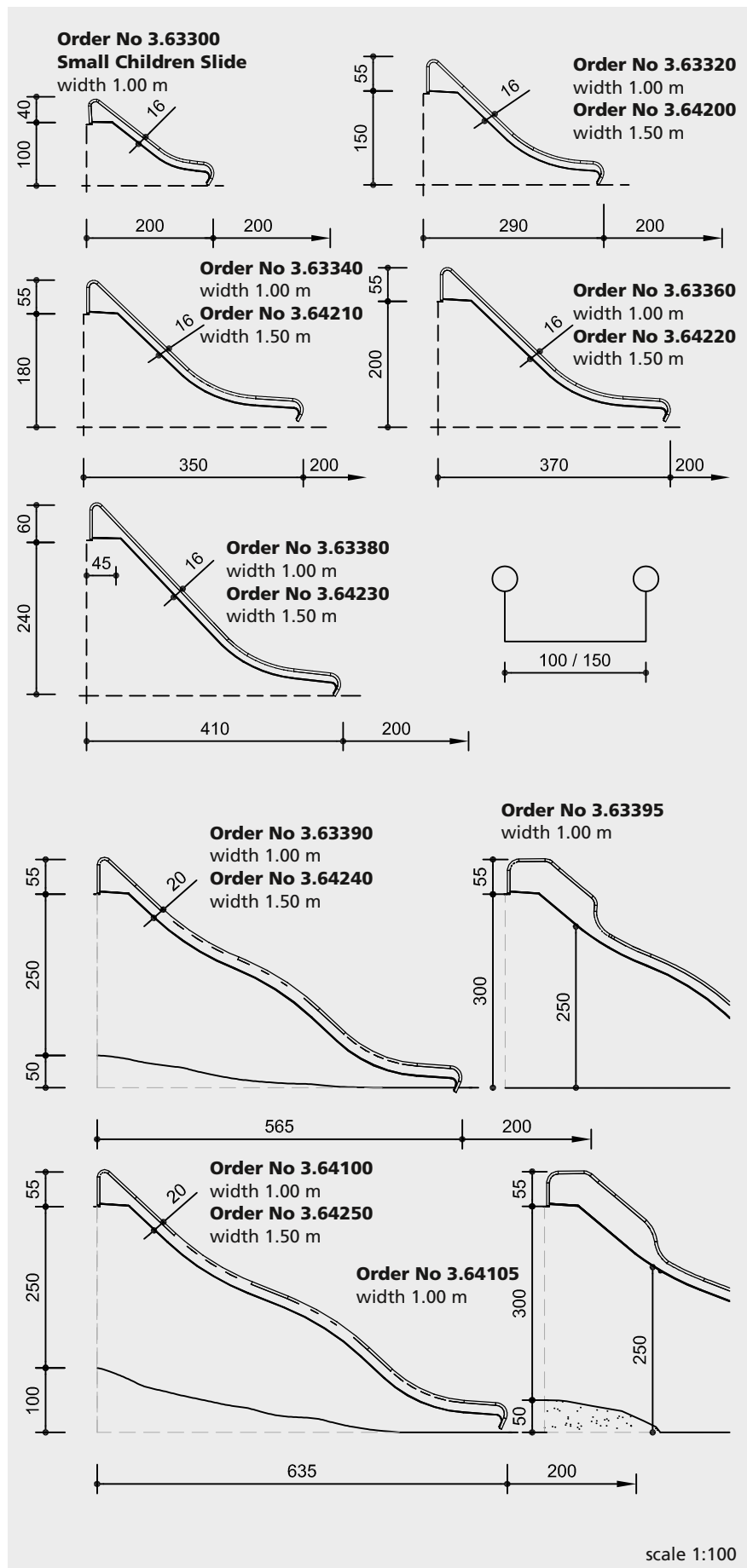
Stainless Steel Slides
width 1.00 m - 1.50 m

Note on installation

The orientation of the slide to the South has to be avoided because of heating up of the material.



3.63300 - 3.64250



safety check according to EN 1176



3.63300 - 3.64250

Technical information

total construction of slides made of stainless steel, slide walls glass bead blasted

thickness of sliding surface **Order No. 3.63300** 2.5 mm, all other slides 3 mm

handrail tube Ø 42 mm, wall thickness 2 mm

attached at the top and bottom with mounting plates

height of sides 16 or 20 cm, **Order No. 3.63395** and **3.64105** with higher sides for fall height of more than 2.50 m

Dimensions see sketches (small deviations possible)

Order No.	Weight
3.63300	65 kg
3.63320	110 kg
3.63340	130 kg
3.63360	150 kg
3.63380	170 kg
3.63390	231 kg
3.64100	242 kg
3.63395	249 kg
3.64105	280 kg
3.64200	150 kg
3.64210	175 kg
3.64220	200 kg
3.64230	225 kg
3.64240	320 kg
3.64250	335 kg

Components

Order No 3.63300 Small Children Slide
1 slide, width 1.00 m with ground anchor

Order No. 3.63320-3.63380
1 slide, with 1.00 m

Order No 3.63390/3.64100
1 slide, width 1.00 m, with 1 wave

Order No. 3.63395/3.64105
1 slide as above but with higher sides

Order No. 3.64200-3.64230
1 slide, with 1.50 m

Order No. 3.64240/3.64250
1 slide, width 1.50 m with 1 wave

Installation information

Surfacing requirements depending on the installation height, embankment slides depending on the topographic situation; in the run-out area we recommend material such as sand (please refer to price list for more detailed information)

Foundations slides with ground anchor do not need concrete foundations; all other slides 2 items 30 x 30 x 30 cm excavation depth 70 cm

Attention:
Exact measurements may vary; for all installation dimensions refer to current assembly instructions.
Technical changes reserved.

Play value

Our Spiral Stairs Slide is a play house, slide and an eye-catcher all-in-one. The staircase invites children to climb or jump up it and the small space underneath not only offers space for role-play games but is also a hide-hole, a den and a little retreat. The height of the Spiral Stairs Slide makes it exciting for older children too and it also serves as an attractive design element for playgrounds

Fundamental characteristics

- child-oriented dimensions according to ergonomic knowledge
- the space-defining design appeals to the senses
- high-quality design
- incentive for playing: role-playing games
- movement: climbing, jumping, sliding

Suitable

- for children from 5 years of age
- for public playgrounds
playgrounds situated near houses
kindergartens/nurseries
children's homes
leisure areas of elementary schools
leisure areas



The photo shows a version without higher balustrade.

Spiral Stairs Slide

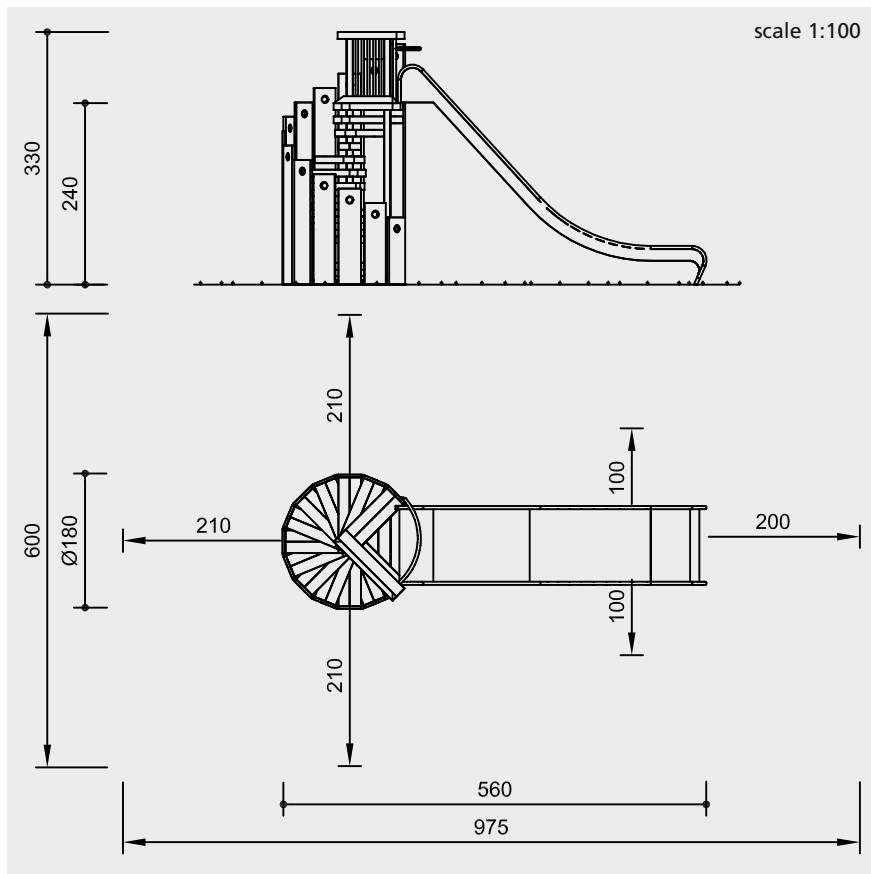


Note on installation

The orientation of the slide to the South has to be avoided because of heating up of the material.



4.18000



safety check according to EN 1176

Components

- 1 tower complete with 12 steps
- 1 stainless steel slide
- Order No. 3.63380

Installation information

Surfacing requirements corresponding to a fall height of ≤ 3.00 (please refer to price list for more detailed information)

Foundations
 1 concrete slab 120 x 120 x 50 cm
 excavation depth 70 cm
 2 items 30 x 30 x 30 cm
 excavation depth 70 cm

Attention:
Exact measurements may vary; for all installation dimensions refer to current installation instructions.
 Technical changes reserved.

Technical information

equipment of non-impregnated mountain larch

core-free timber
 cut timber, core-free thus decreasing the occurrence of cracking



concealed head
 large surface for pressure distribution, prevents water from getting inside, protects the bolt head



ground anchor
 all parts used for anchoring to the ground made of hot-dip galvanised steel



slide
 total construction made of stainless steel, thickness of the sides 2 mm, thickness of sliding surface 3 mm; handrail tube $\varnothing 42$ mm

Dimensions
 (small deviations possible)

height	3.30 m
height platform	2.40 m
length	5.60 m
diameter	1.80 m
weight	1200 kg

For more detailed explanation of the explanation of the quality characteristics.



4.18000



Function and Play value

The Open Slide only works if it is constructed like a bobsleigh track. Above all, this means that extended sides, in particular in the curves, must be specially constructed. This fully stainless steel mould provides a safe design which guarantees sliding fun. The long descent makes it attractive for people of all ages.

Fundamental characteristics

- soft shape
- high-quality design
- incentive for playing: long descent
- movement: sliding, climbing

Suitable

- for children from 3 years
- for public playgrounds
- leisure areas



Order No. 3.65200 Slide Support with Steps width 0.45 m

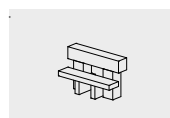
Planning information

Open Slides need to be planned individually taking into consideration the topographic situation. For working out a planning proposal we require a landscaping plan with height indications from your side.

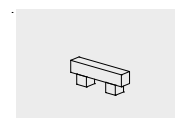
Note on installation

The orientation of the slide to the South has to be avoided because of heating up of the material.

**Open Slides
Slide supports**



3.65200 - 3.65400



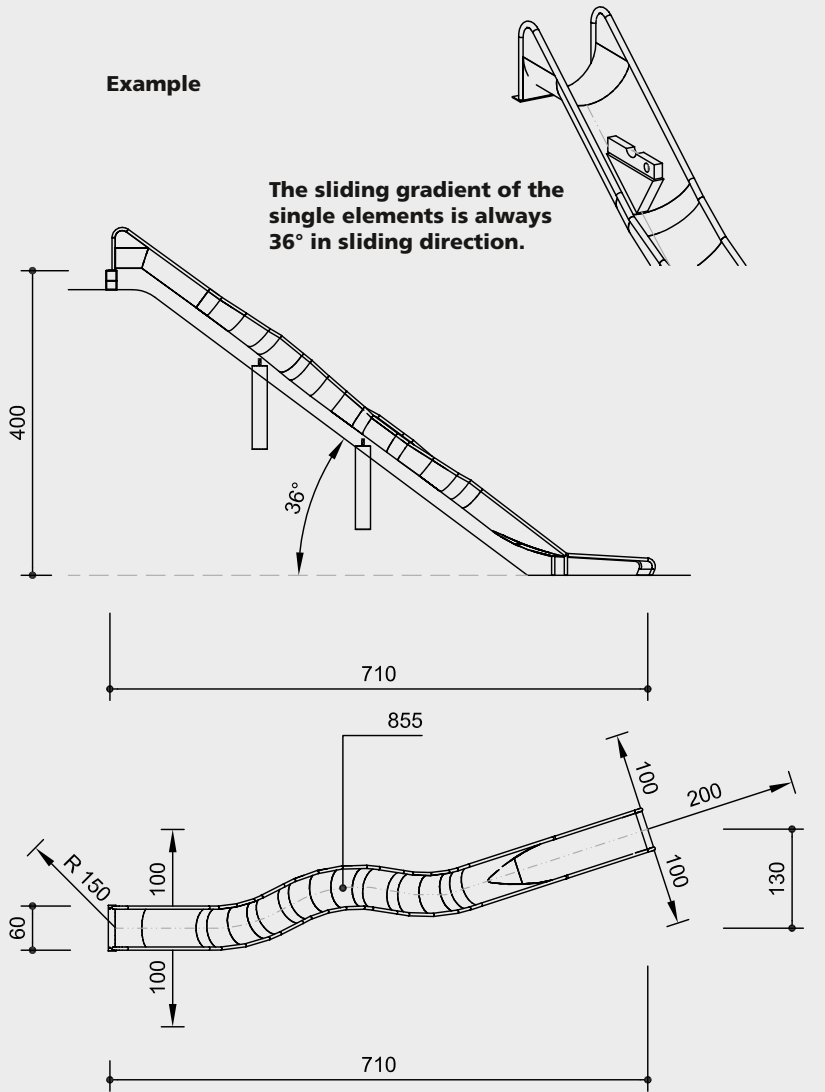
3.65250 - 3.65450



3.67000

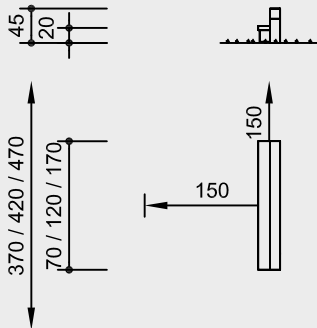
Example

The sliding gradient of the single elements is always 36° in sliding direction.

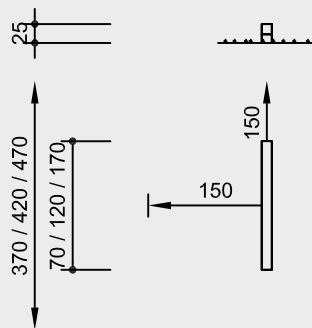


scale 1:100

Order No. 3.65200 - 3.65400
Slide Support with Steps

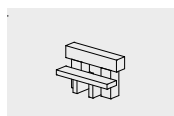


Order No. 3.65250 - 3.65450
Slide Support

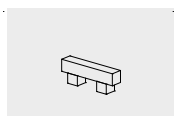


scale 1:100

Safety check according to EN 1176



3.65200 - 3.65400



3.65250 - 3.65450



3.67000

Order No. 3.67000 Open Slide

Technical information

moulds of the Open Slides consist of 2.5 mm stainless steel metal, welded with inert gas double sided, gapless handrail of 42 mm stainless steel tubing

ground anchor

all parts used for anchoring to the ground made of hot-dip galvanised steel



Dimensions

(small deviations possible)
Length according to arrangement of elements or according to topography and fixing height
width 0.60 m
weight 20 kg/m

Components

Number and length of supports depending on shape of slide and topographic situation; depending on transport capacity one-piece construction or split (with screwable connecting flange)

Installation information

Surfacing requirements depending on installation situation, in the run-out area we recommend material such as sand (please refer to price list for more detailed information)

Foundations

per support 1 item 80 x 80 x 40 cm excavation depth 80 cm
run-out 2 or 3 items 50 x 70 x 40 cm excavation depth 80 cm

Attention:

These slides are specially produced designs. The accompanying drawings must be adhered to.
Technical changes reserved.

Order No. 3.65200 - 3.65450

Slide Supports

posts of oak heartwood, traverse and steps of non-impregnated mountain larch

core-free timber

sawn timbers core-free, by that formation of cracks can be reduced



Dimensions

(small deviations possible)
width 0.70 m/1.20 m/1.70 m
with step 0.45 m
without step height depending on installation depth, 0.15 - max. 0.25 m
weight 75 - 140 kg
Components 1 part each

Installation information

Surfacing requirements depending on installation situation

Foundations:

Order No. 3.65200/3.65250

1 item 50 x 90 x 50 cm excavation depth 70 cm

Order No. 3.65300/3.65350/3.65400/3.65450:

2 items 50 x 50 x 50 cm, excavation depth 70 cm

Attention:

Exact measurements may vary, for all installation dimensions refer to current installation instructions.
Technical changes reserved.

Slide support also available in steel.

For more detailed explanation of the quality characteristics see price list.

Play value

Tunnel Slides are very attractive for children. The „tingling“ feeling and butterflies in the stomach are enhanced by sliding into the dark tube. Sliding out in the bright day gives a sensation of liberation often accompanied by laughing and shouting. The opposites of above and below, beginning and end, and dark and light are experienced in a stronger way than on an open slide.

Fundamental characteristics

- soft shape
- high-quality design
- incentive for playing: tube, long descent, curiosity
- movement: sliding, climbing up

Suitable

- for children from 6 years
- for public playgrounds
- leisure areas



Note on installation

The orientation of the slide to the South has to be avoided because of heating up of the material.

Tunnel Slide

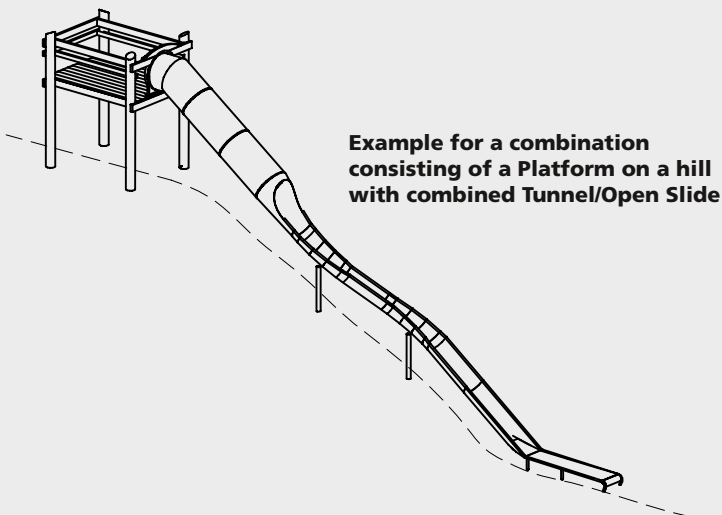
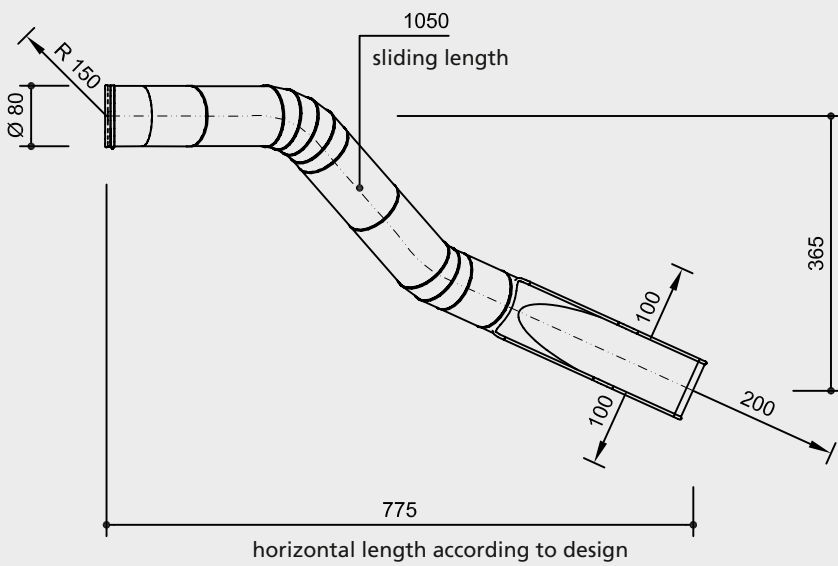
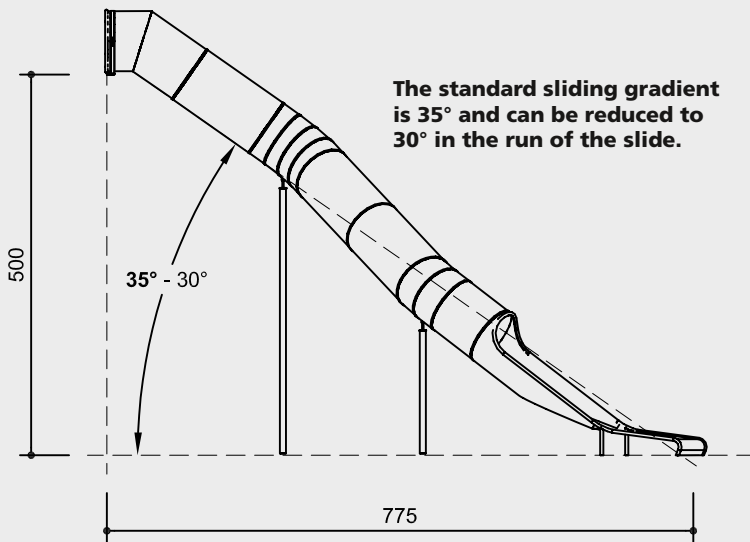
Planning information

Tunnel Slides need to be planned individually taking into consideration the topographic situation. For working out a planning proposal we require a landscaping plan with height indications from your side.



3.68000

Example



scale 1:100

Technical information

tubes of the Tunnel Slides of 2.5 mm stainless steel, outside glass bead blasted, seamed for connection and then welded with inert gas

handrails of Ø 42 mm stainless steel tubing at the starting and run-out element, material strength 2 mm

ground anchor

all parts used for anchoring to the ground made of hot-dip galvanised steel



fittings of stainless steel

Dimensions

(small deviations possible)

Tube

diameter inside 0.80 m
Length according to arrangement of elements or according to topography and fixing height;
weight 45 kg/m

Components

Number and length of supports depending on shape of slide and topographic situation

depending on transport capacity one-piece construction or split (with screwable connecting flange)

Installation information

Surfacing requirements depending on installation situation in the run-out area we recommend material such as sand (please refer to price list for more detailed information)

Foundations
per support 1 item 80 x 80 x 40 cm excavation depth 80 cm
run-out 2 or 3 items 100 x 50 x 40 cm excavation depth 80 cm

Attention:

These slides are specially produced designs. The accompanying drawings must be adhered to.
Technical changes reserved.

Safety check according to EN 1176



3.68000

Play value

The well-designed Snail Run-out allows many more possibilities of use for attractive slide installations because it slows down the descent. By that, long and straight run-out elements are not necessary. The Snail Run-out can be combined with individually planned Open and Tunnel Slides.

Fundamental characteristics

- the curve which is banked on one side slows down any speed
- safe run-out for fast and slow slide users
- space saving run-out element

Suitable

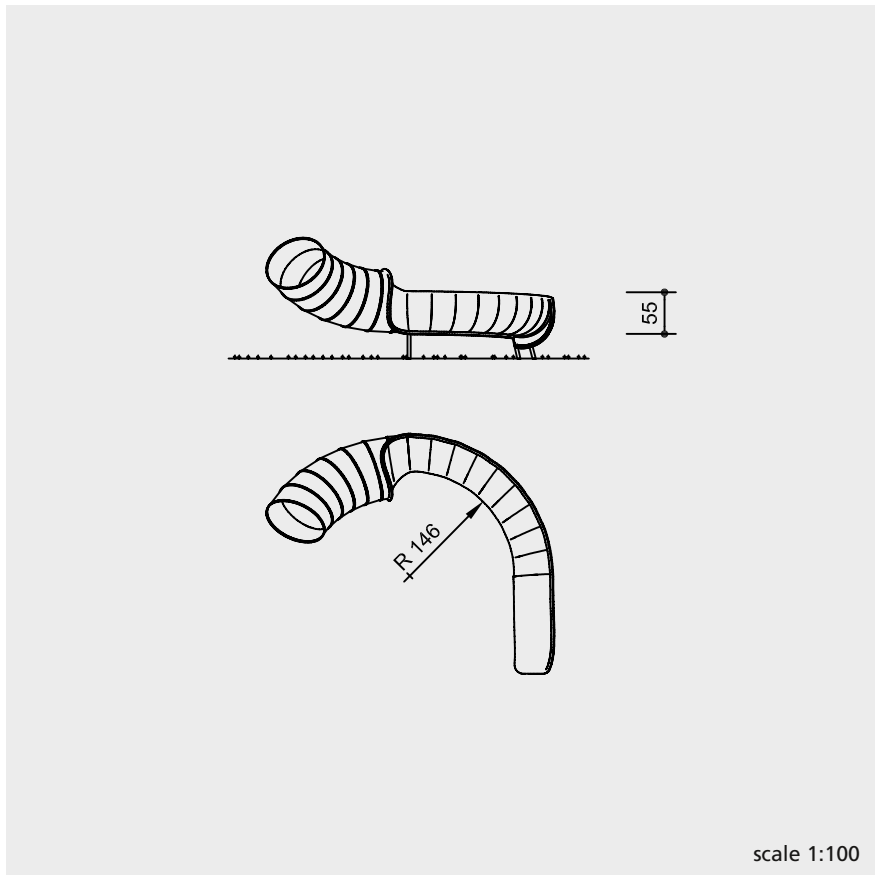
- for children from 3 years
- for public playgrounds
leisure areas



Snail Run-out



3.68050



scale 1:100

Safety check according to EN 1176

Technical information

Total construction of 2.5 mm stainless steel metal, welded using inert gas arc welding

double sided, gapless handrail of 42 mm stainless steel tubing, thickness of material 2 mm

Dimensions

(small deviations possible)

for combination with Open Slide
width 0.55 m

for combination with Tunnel Slide
diameter 0.80 m

banked curve on one side
height 0.55 m

radius brake curve 1.46 m

length 6.00 m or 8.00 m
length of run-out 1.25 m

slide gradient 36° at the beginning,
then more level

Patent EP 0744200A1

weight 160 or 190 kg

Components

integrated into the main slide -
available in different lengths

Installation information

Surfacing requirements
Recommendation: material such as sand
(please refer to price list for more
detailed information)

Foundations
3 items 60 x 60 x 40 cm
excavation depth 80 cm

Attention:
**Exact measurements may vary, for
all installation dimensions refer to
current installation instructions.**

Technical changes reserved.




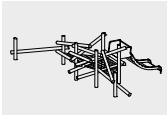

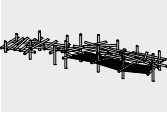
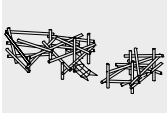
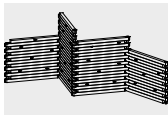

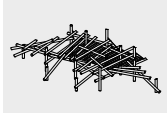



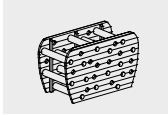
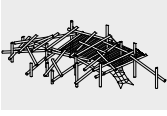
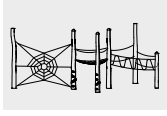
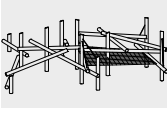
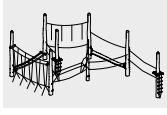

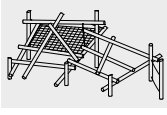
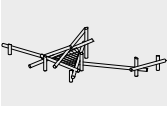
3.68050

D Movement

- 1 Cableways
- 2 Turning
- 3 Swinging · swaying · rocking
- 4 Jumping · see-sawing · wobbling
- 5 Balancing
- 6 Sliding
- 7 Climbing
- 8 Free-standing bridges

Children have a natural urge to climb onto things or climb up things. Often self-esteem is determined by the degree of success. That's the reason why climbing offers are so frequently used for competitions or challenges as a way for people to measure their skill. More than many other kinds of play activity, climbing stimulates self-perception, promotes the ability to make decisions, supports concentration, trains spatial perception and promotes self-confidence. Many different climbing structures work very well as design elements making them suitable to be included in the planning of a playground.

D 7 Climbing

Order No. Item	page	Order No. Item	page	Order No. Item	page
					
6.51001 Climbing Structure 01	451	6.51010 Climbing Structure 10	469	7.77010 Climbing Wall with 2 elements	483
					
6.51002 Climbing Structure 02	453	6.51011 Climbing Structure 11	471	7.77060 Climbing Wall with 4 elements	483
					
6.51003 Climbing Structure 03	455	6.51012 Climbing Structure 12	473	7.90000 Bell Climbing Poles	485
					
6.51004 Climbing Structure 04	457	10.80001 Climbing Forest Design example 01	475	4.20000 Climbing Loom	487
					
6.51005 Climbing Structure 05	459	10.80002 Climbing Forest Design example 02	477		
					
6.51006 Climbing Structure 06	461	10.80000 Climbing Forest Combination elements	479-482		
					
6.51007 Climbing Structure 07	463				
					
6.51008 Climbing Structure 08	465				
					
6.51009 Climbing Structure 09	467				

Play value

Climbing Structures made from hand-processed irregular round logs, can be integrated into a strongly nature-oriented environment due to their formal expressive character. Many children can play within a small space; Climbing Structures can even absorb the arrival of a large number of children who wish to play on it and incorporate all of them within a flowing play rhythm. Climbing Structures do not only allow for climbing, experiencing height, and for having a sensual experience with hands and feet, but they can also be used as a nice seat for relaxing and observing.



© Richter Spielgeräte GmbH 10/15

Design and Copyright

Fundamental characteristics

- natural, strong posts
- no pre-determined play procedures, also able to be used in stages, individual mastering
- incentive for playing: strong, challenging construction
- movement: climbing, balancing, doing exercise, sliding

Suitable

- for children from 6 years and young people
- for schools
- youth centres
- sports grounds
- leisure areas
- parks

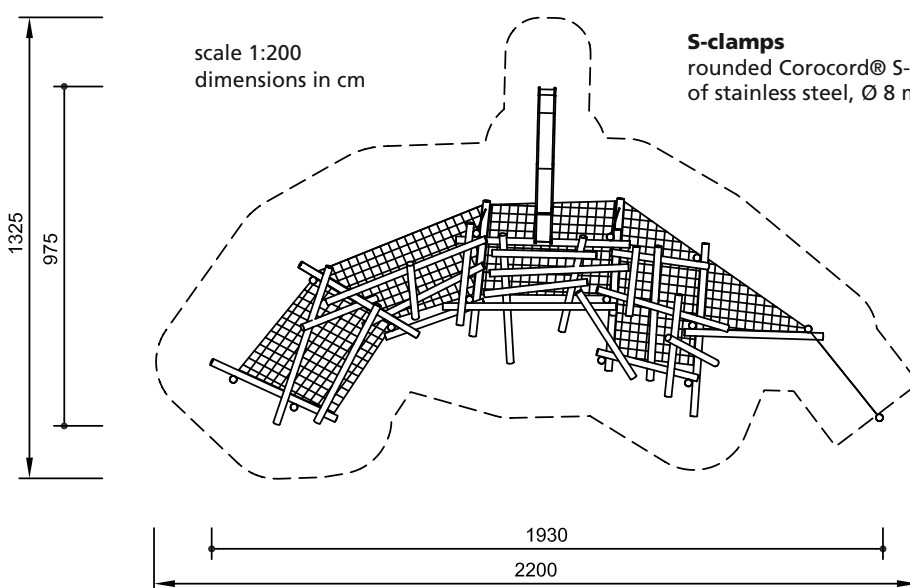
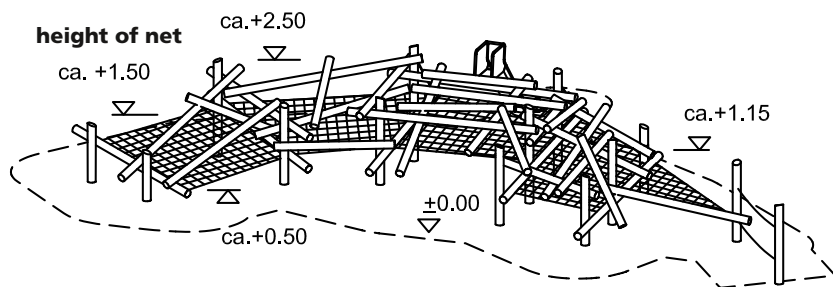
Climbing Structure 01



6.51001

Climbing Structure 01
Order No. 6.51001

Height details in meters



Technical information

posts of robinia, Ø 15 - 21 cm,
 debarked, splinter free and sanded
 smooth

angle cut

vertical stand posts with angle cut in
 the end grain section as constructive
 wood preservation



Corocord® rope

special ropes of "Hercules type"
 six-strand Corocord® rope of the
 special "Hercules type", abrasion
 protected through heating of the six
 steel strands and melting the polyamide
 sleeve onto them, standard colour
 natural



aluminium swages

double-conical aluminium swages
 with rounded-off ends



S-clamps

rounded Corocord® S-clamps made
 of stainless steel, Ø 8 mm



For more detailed explanation of the
 quality characteristics see price list.

Safety check according to EN 1176 and „safety in another way“

Components

- 14 stand posts
- 26 connecting tie beams
- 5 nets
- balancing rope/holding rope
- ropes for tensioning
- fittings
- stainless steel slide, attachment
- height 2.40 m, width 0.45 m

Dimensions

(small deviations possible)

length 19.30 m
 width 9.75 m

Required space

22.00 x 13.25 m

Installation information

Surfacing requirements
 corresponding to a fall height of ≤ 3.00 m
 (please refer to price list for more
 detailed information)

- Foundations
- 14 items 80 x 80 x 60 cm
 excavation depth 80 cm
- Stainless Steel Slide
- 1 item 75 x 30 x 30 cm
 excavation depth 70 cm

Note

**The climbing structure is an individual
 construction which is only partly
 pre-assembled in our workshop.**

**Therefore, the installation needs
 to be carried out by an installation
 company authorised by us.**

Technical changes reserved.

**Equipment also available made of
 larch with steel feet.**

concealed head

large surface for pressure distribution,
 prevents water from getting inside,
 protects the bolt head



adjustable

no projecting threads after re-tightening
 due to two-piece bolt connection
 and therefore easy to maintain



distance fitting

to avoid entrapment of cords



total construction of the slide made of
 stainless steel, thickness of slide metal:
 2 mm, slide walls glass bead blasted

starting element of the slide

enlarged entry area for a safe crossing
 from climbing to sliding



6.51001

Play value

Climbing Structures made from hand-processed irregular round logs, can be integrated into a strongly nature-oriented environment due to their formal expressive character. Many children can play within a small space; Climbing Structures can even absorb the arrival of a large number of children who wish to play on it and incorporate all of them within a flowing play rhythm. Climbing Structures do not only allow for climbing, experiencing height, and for having a sensual experience with hands and feet, but they can also be used as a nice seat for relaxing and observing.



The picture shows the version in larch with steel feet.

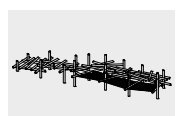
Fundamental characteristics

- natural, strong posts
- no pre-determined play procedures, also able to be used in stages, individual mastering
- incentive for playing: strong, challenging construction
- movement: climbing, balancing, doing exercise

Suitable

- for children from 6 years and young people
- for schools
youth centres
sports grounds
leisure areas
parks

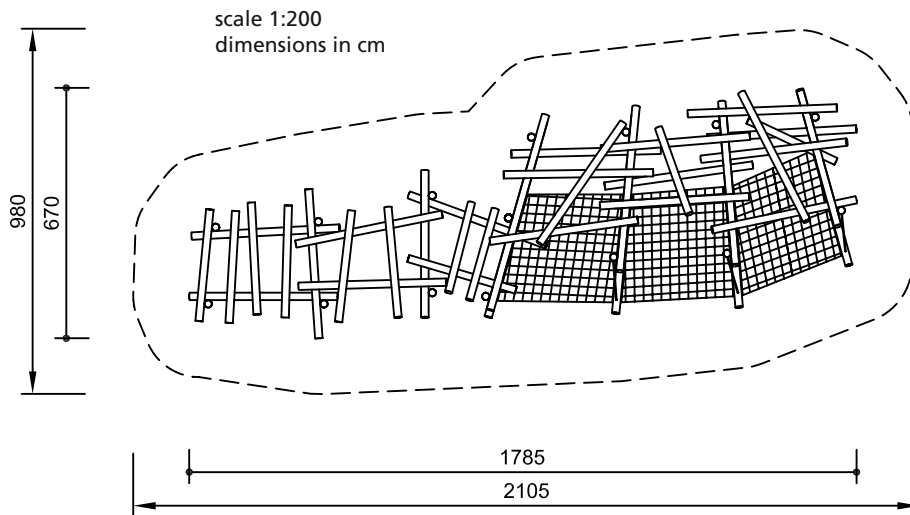
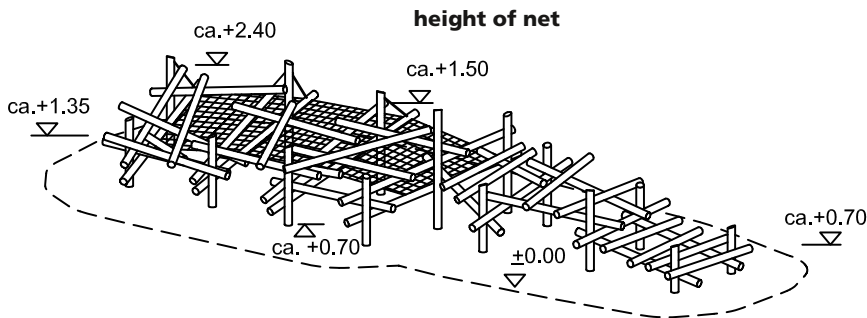
Climbing Structure 02



6.51002

Climbing Structure 02
Order No. 6.51002

Height details in meters



Safety check according to EN 1176 and „safety in another way“

Components

- 15 stand posts
- 31 connecting tie beams
- 3 nets
- ropes for tensioning
- fittings

Dimensions

(small deviations possible)

- length 17.85 m
- width 6.70 m

Required space

21.05 x 9.80 m

Installation information

Surfacing requirements corresponding to a fall height of ≤ 3.00 m (please refer to price list for more detailed information)

Foundations
 15 items 80 x 80 x 60 cm
 excavation depth 80 cm

Note

The climbing structure is an individual construction which is only partly pre-assembled in our workshop. Therefore, the installation needs to be carried out by an installation company authorised by us.
 Technical changes reserved.
Equipment also available made of larch with steel feet.

Technical information

posts of robinia, \varnothing 15 - 21 cm, splinter free and sanded smooth

angle cut

vertical support posts with angle cut in the end grain section as constructive wood preservation



Corocord® rope

special ropes of "Hercules type"
 six-strand Corocord® rope of the special "Hercules type", abrasion protected through heating of the six steel strands and melting the polyamide sleeve onto them, standard colour natural



aluminium swages

double-conical aluminium swages with rounded-off ends



For more detailed explanation of the quality characteristics see price list.

S-clamps

rounded Corocord® S-clamps made of stainless steel, \varnothing 8 mm



concealed head

large surface for pressure distribution, prevents water from getting inside, protects the bolt head



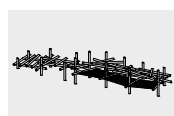
adjustable

no projecting threads after re-tightening due to two-piece bolt connection and therefore easy to maintain



distance fitting

to avoid entrapment of cords



6.51002

Play value

Climbing Structures made from hand-processed irregular round logs, can be integrated into a strongly nature-oriented environment due to their formal expressive character. Many children can play within a small space; Climbing Structures can even absorb the arrival of a large number of children who wish to play on it and incorporate all of them within a flowing play rhythm. Climbing Structures do not only allow for climbing, experiencing height, and for having a sensual experience with hands and feet, but they can also be used as a nice seat for relaxing and observing.



Fundamental characteristics

- natural, strong posts
- no pre-determined play procedures, also able to be used in stages, individual mastering
- incentive for playing: strong, challenging construction
- movement: climbing, balancing, doing exercise, sliding

Suitable

- for children from 6 years and young people
- for schools
youth centres
sports grounds
leisure areas
parks

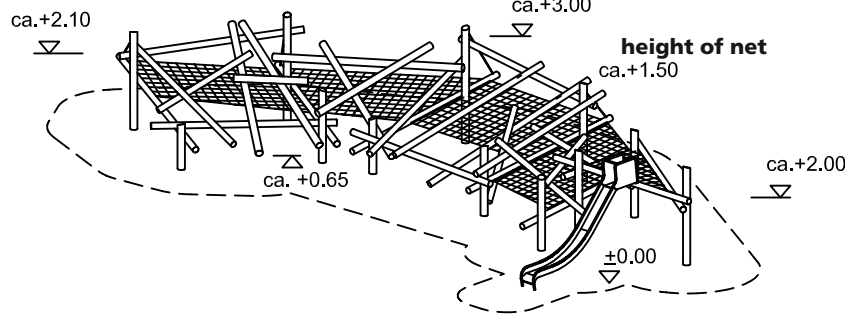
Climbing Structure 03



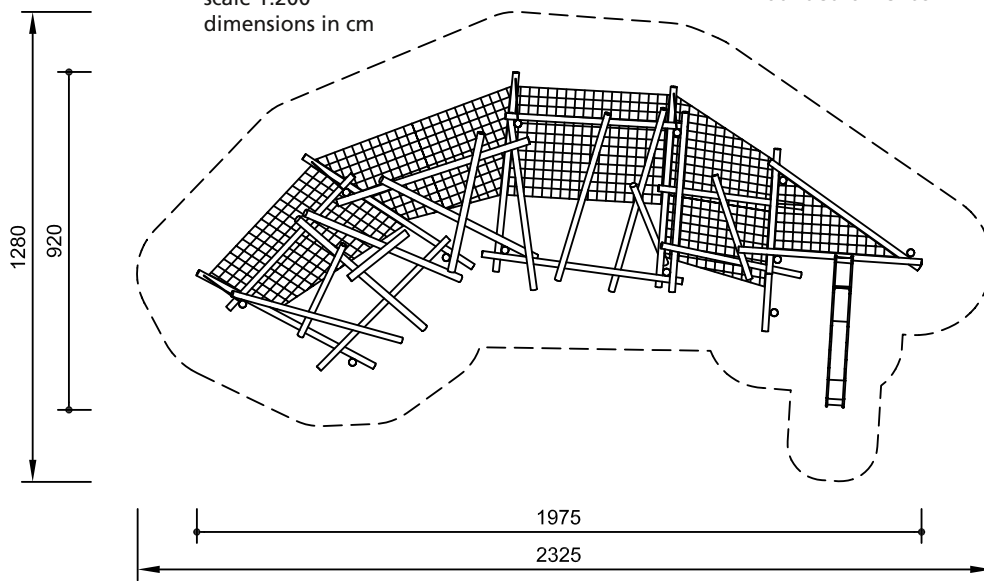
6.51003

Climbing Structure 03
Order No. 6.51003

Height details in meters



scale 1:200
 dimensions in cm



Safety check according to EN 1176 and „safety in another way“

Components

- 12 stand posts
- 22 connecting tie beams
- 5 nets
- ropes for tensioning
- fittings
- stainless steel slide, attachment height 2.00 m, width 0.45 m

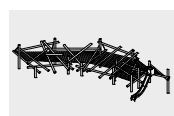
Dimensions

(small deviations possible)

- length 19.75 m
- width 9.20 m

Required space

23.25 x 12.80 m



6.51003

Installation information

Surfacing requirements corresponding to a fall height of ≤ 3.00 m (please refer to price list for more detailed information)

- Foundations
- 12 items 80 x 80 x 60 cm excavation depth 80 cm
- Stainless Steel Slide
- 1 item 75 x 30 x 30 cm excavation depth 70 cm

Note

The climbing structure is an individual construction which is only partly pre-assembled in our workshop. Therefore, the installation needs to be carried out by an installation company authorised by us. Technical changes reserved. Equipment also available made of larch with steel feet.

Technical information

posts of robinia, \varnothing 15 - 21 cm, splinter free and sanded smooth

angle cut

vertical support posts with angle cut in the end grain section as constructive wood preservation



Corocord® rope special ropes of "Hercules type"

six-strand Corocord® rope of the special "Hercules type", abrasion protected through heating of the six steel strands and melting the polyamide sleeve onto them, standard colour natural



aluminium swages

double-conical aluminium swages with rounded-off ends



For more detailed explanation of the quality characteristics see price list.

S-clamps

rounded Corocord® S-clamps made of stainless steel, \varnothing 8 mm



concealed head

large surface for pressure distribution, prevents water from getting inside, protects the bolt head



adjustable

no projecting threads after re-tightening due to two-piece bolt connection and therefore easy to maintain



distance fitting

to avoid entrapment of cords



total construction of the slide made of stainless steel, thickness of slide metal: 2 mm, slide walls glass bead blasted

starting element of the slide

enlarged entry area for a safe crossing from climbing to sliding



Play value

Climbing Structures made from hand-processed irregular round logs, can be integrated into a strongly nature-oriented environment due to their formal expressive character. Many children can play within a small space; Climbing Structures can even absorb the arrival of a large number of children who wish to play on it and incorporate all of them within a flowing play rhythm. Climbing Structures do not only allow for climbing, experiencing height, and for having a sensual experience with hands and feet, but they can also be used as a nice seat for relaxing and observing.



Fundamental characteristics

- natural, strong posts
- no pre-determined play procedures, also able to be used in stages, individual mastering
- incentive for playing: strong, challenging construction
- movement: climbing, balancing, doing exercise

Suitable

- for children from 6 years and young people
- for schools
youth centres
sports grounds
leisure areas
parks

Climbing Structure 04



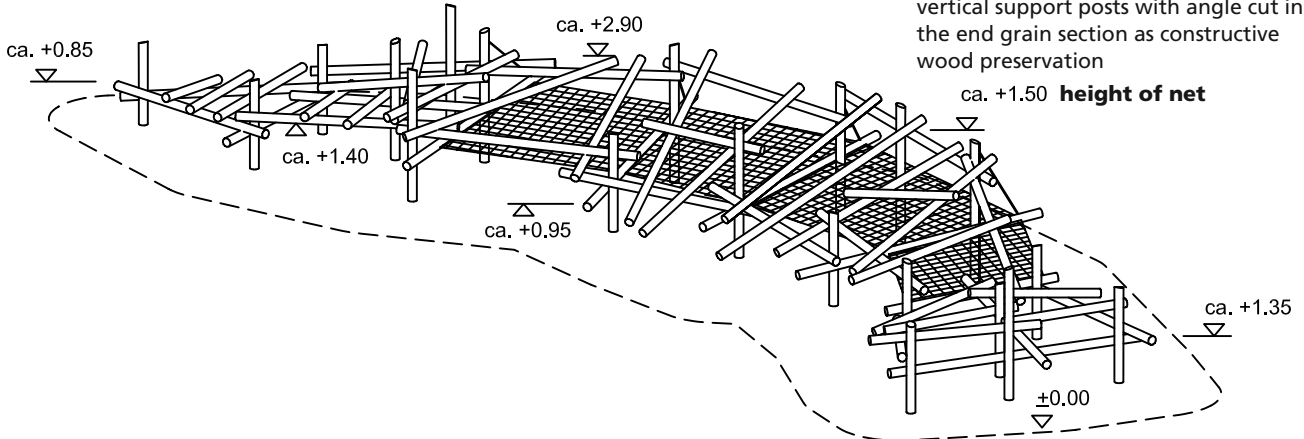
6.51004

Climbing Structure 04
Order No. 6.51004

Technical information

posts of robinia, Ø 15 - 21 cm, splinter free and sanded smooth

Height details in meters



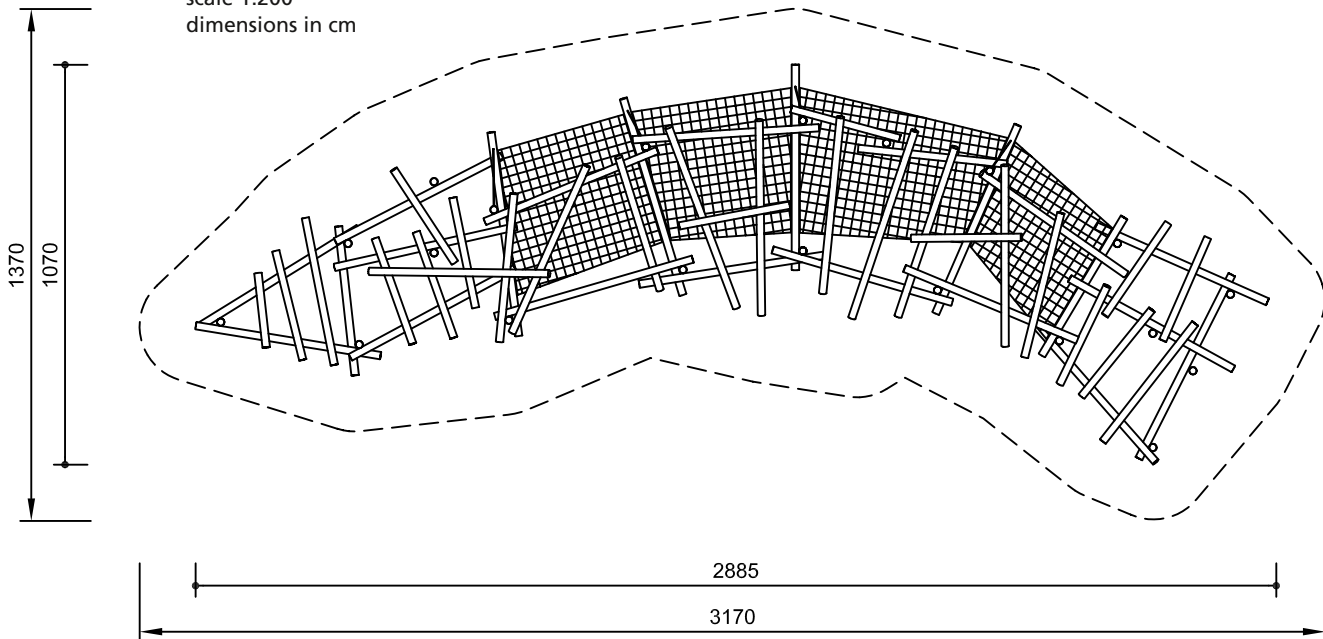
angle cut

vertical support posts with angle cut in the end grain section as constructive wood preservation



For more detailed explanation of the quality characteristics see price list.

scale 1:200
 dimensions in cm



Safety check according to EN 1176 and „safety in another way“

Components

- 20 stand posts
- 42 connecting tie beams
- 4 nets
- ropes for tensioning
- fittings

Dimensions

(small deviations possible)

length 28.85 m
 width 10.70 m

Required space

31.70 x 13.70 m



6.51004

Installation information

Surfacing requirements corresponding to a fall height of ≤ 3.00 m (please refer to price list for more detailed information)

Foundations
 20 items 80 x 80 x 60 cm
 excavation depth 80 cm

Note

The climbing structure is an individual construction which is only partly pre-assembly in our workshop. Therefore, the installation needs to be carried out by an installation company authorised by us. Technical changes reserved. Equipment also available made of larch with steel feet.

Corocord® rope

special ropes of "Hercules type"

six-strand Corocord® rope of the special "Hercules type", abrasion protected through heating of the six steel strands and melting the polyamide sleeve onto them, standard colour natural



aluminium swages

double-conical aluminium swages with rounded-off ends



S-clamps

rounded Corocord® S-clamps made of stainless steel, Ø 8 mm



concealed head

large surface for pressure distribution, prevents water from getting inside, protects the bolt head



adjustable

no projecting threads after re-tightening due to two-piece bolt connection and therefore easy to maintain



distance fitting

to avoid entrapment of cords



Play value

Climbing Structures made from hand-processed irregular round logs, can be integrated into a strongly nature-oriented environment due to their formal expressive character. Many children can play within a small space; Climbing Structures can even absorb the arrival of a large number of children who wish to play on it and incorporate all of them within a flowing play rhythm. Climbing Structures do not only allow for climbing, experiencing height, and for having a sensual experience with hands and feet, but they can also be used as a nice seat for relaxing and observing.

Fundamental characteristics

- natural, strong posts
- no pre-determined play procedures, also able to be used in stages, individual mastering
- incentive for playing: strong, challenging construction
- movement: climbing, balancing, doing exercise

Suitable

- for children from 6 years and young people
- for schools
youth centres
sports grounds
leisure areas
parks

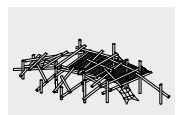


Climbing Structure 05



© Richter Spielgeräte GmbH 10/15

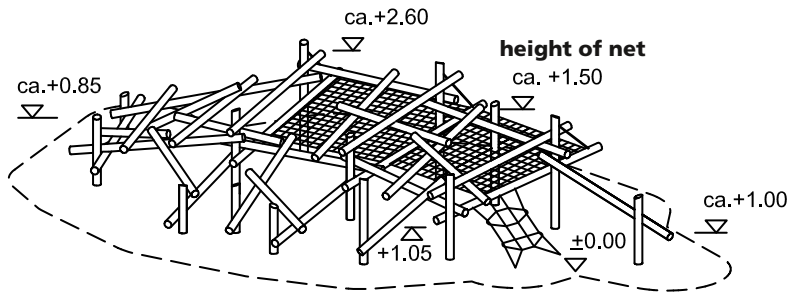
Design and Copyright



6.51005

Climbing Structure 05
Order No. 6.51005

Height details in meters



Technical information

posts of robinia, Ø 15 - 21 cm, splinter free and sanded smooth

angle cut

vertical support posts with angle cut in the end grain section as constructive wood preservation



Corocord® rope

special ropes of "Hercules type"

six-strand Corocord® rope of the special "Hercules type", abrasion protected through heating of the six steel strands and melting the polyamide sleeve onto them, standard colour natural

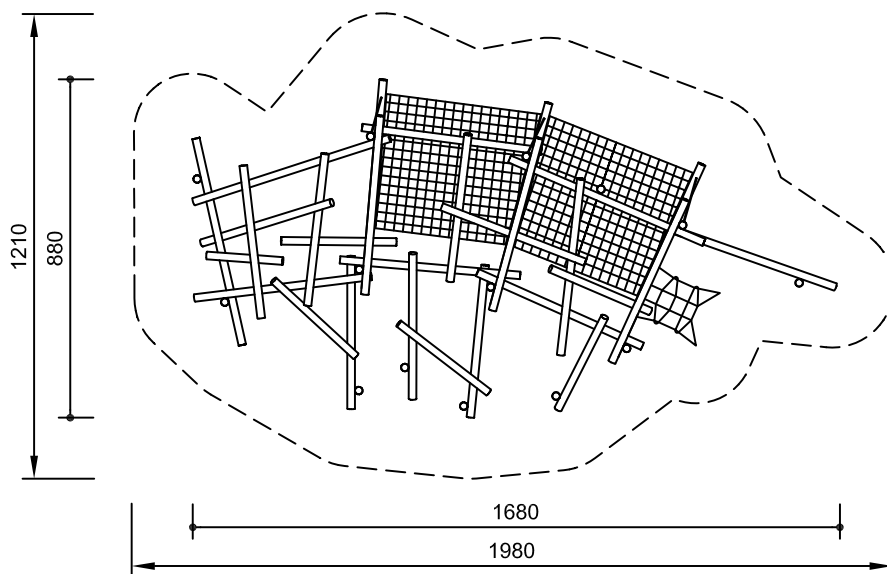


aluminium swages

double-conical aluminium swages with rounded-off ends



scale 1:200
 dimensions in cm



Safety check according to EN 1176 and „safety in another way“

Components

- 14 stand posts
- 25 connecting tie beams
- 2 nets
- 1 inclined climbing net
- ropes for tensioning fittings

Dimensions

(small deviations possible)

length 16.80 m
 width 8.80 m

Required space

19.80 x 12.10 m

Installation information

Surfacing requirements corresponding to a fall height of ≤ 3.00 m (please refer to price list for more detailed information)

Foundations
 14 items 80 x 80 x 60 cm
 excavation depth 80 cm
 Inclined Climbing Net
 2 items 50 x 50 x 40 cm
 excavation depth 80 cm

Note

The climbing structure is an individual construction which is only partly pre-assembled in our workshop. Therefore, the installation needs to be carried out by an installation company authorised by us.
 Technical changes reserved.
Equipment also available made of larch with steel feet.

S-clamps

rounded Corocord® S-clamps made of stainless steel, Ø 8 mm



concealed head

large surface for pressure distribution, prevents water from getting inside, protects the bolt head



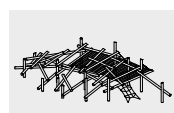
adjustable

no projecting threads after re-tightening due to two-piece bolt connection and therefore easy to maintain



distance fitting

to avoid entrapment of cords



6.51005

For more detailed explanation of the quality characteristics see price list.

Play value

Climbing Structures made from hand-processed irregular round logs, can be integrated into a strongly nature-oriented environment due to their formal expressive character. Many children can play within a small space; Climbing Structures can even absorb the arrival of a large number of children who wish to play on it and incorporate all of them within a flowing play rhythm. Climbing Structures do not only allow for climbing, experiencing height, and for having a sensual experience with hands and feet, but they can also be used as a nice seat for relaxing and observing.



Fundamental characteristics

- natural, strong posts
- no pre-determined play procedures, also able to be used in stages, individual mastering
- incentive for playing: strong, challenging construction
- movement: climbing, balancing, doing exercise

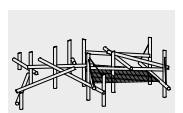
Suitable

- for children from 6 years and young people
- for schools
- youth centres
- sports grounds
- leisure areas
- parks

Climbing Structure 06

© Richter Spielgeräte GmbH 10/15

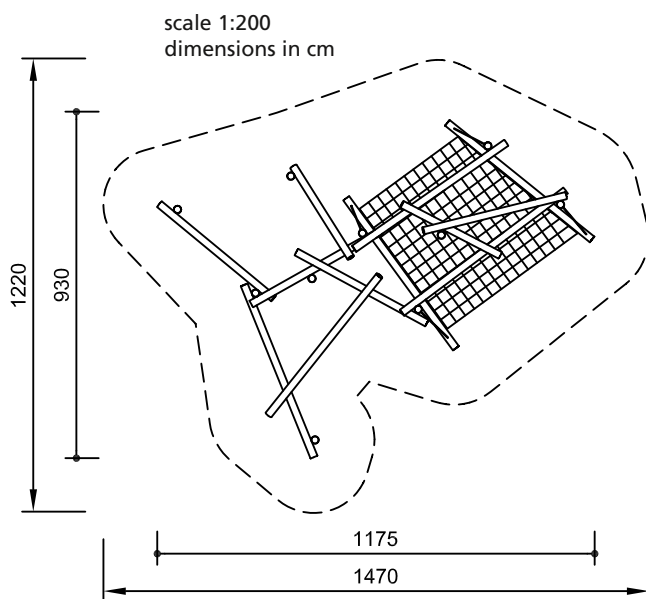
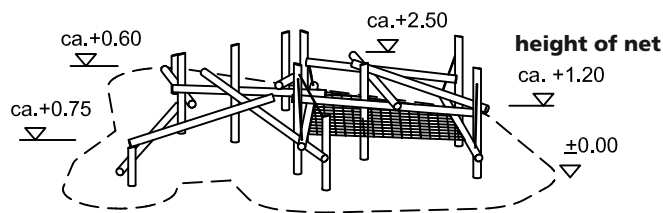
Design and Copyright



6.51006

Climbing Structure 06
Order No. 6.51006

Height details in meters



Safety check according to EN 1176 and „safety in another way“

Components

- 10 stand posts
- 9 connecting tie beams
- 1 net
- ropes for tensioning
- fittings

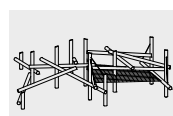
Dimensions

(small deviations possible)

- length 11.75 m
- width 9.30 m

Required space

14.70 x 12.20 m



6.51006

Installation information

Surfacing requirements corresponding to a fall height of ≤ 3.00 m (please refer to price list for more detailed information)

Foundations
 10 items 80 x 80 x 60 cm
 excavation depth 80 cm

Note

The climbing structure is an individual construction which is only partly pre-assembled in our workshop. Therefore, the installation needs to be carried out by an installation company authorised by us. Technical changes reserved. Equipment also available made of larch with steel feet.

Technical information

posts of robinia, Ø 15 - 21 cm, splinter free and sanded smooth

angle cut

vertical support posts with angle cut in the end grain section as constructive wood preservation



Corocord® rope

special ropes of "Hercules type"
 six-strand Corocord® rope of the special "Hercules type", abrasion protected through heating of the six steel strands and melting the polyamide sleeve onto them, standard colour natural



aluminium swages

double-conical aluminium swages with rounded-off ends



S-clamps

rounded Corocord® S-clamps made of stainless steel, Ø 8 mm



concealed head

large surface for pressure distribution, prevents water from getting inside, protects the bolt head



adjustable

no projecting threads after re-tightening due to two-piece bolt connection and therefore easy to maintain



distance fitting

to avoid entrapment of cords



For more detailed explanation of the quality characteristics see price list.

Play value

Climbing Structures made from hand-processed irregular round logs, can be integrated into a strongly nature-oriented environment due to their formal expressive character. Many children can play within a small space; Climbing Structures can even absorb the arrival of a large number of children who wish to play on it and incorporate all of them within a flowing play rhythm. Climbing Structures do not only allow for climbing, experiencing height, and for having a sensual experience with hands and feet, but they can also be used as a nice seat for relaxing and observing.



Fundamental characteristics

- natural, strong posts
- no pre-determined play procedures, also able to be used in stages, individual mastering
- incentive for playing: strong, challenging construction
- movement: climbing, balancing, doing exercise

Suitable

- for children from 6 years and young people
- for schools
youth centres
sports grounds
leisure areas
parks

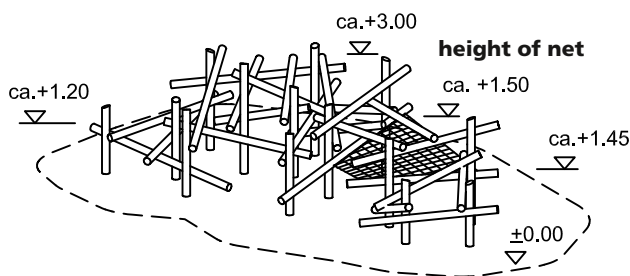
Climbing Structure 07



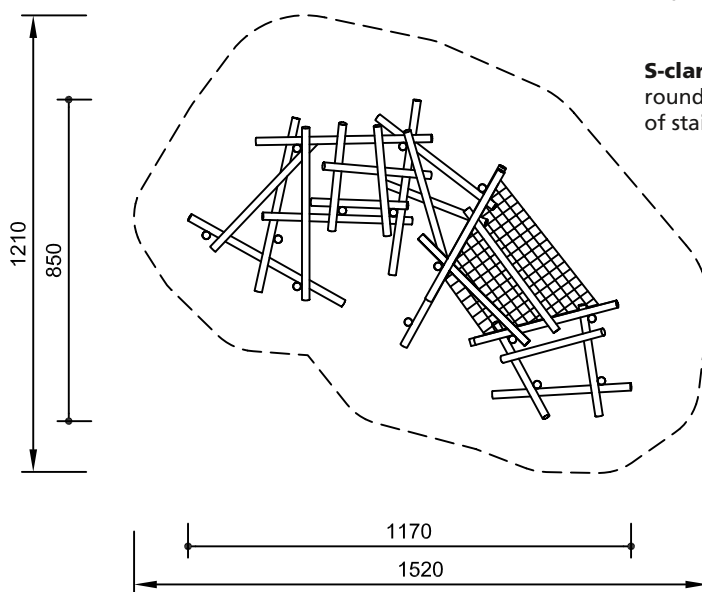
6.51007

Climbing Structure 07
Order No. 6.51007

Height details in meters



scale 1:200
 dimensions in cm



Technical information

posts of robinia, Ø 15 - 21 cm, splinter free and sanded smooth

angle cut

vertical support posts with angle cut in the end grain section as constructive wood preservation



Corocord® rope

special ropes of "Hercules type"
 six-strand Corocord® rope of the special "Hercules type", abrasion protected through heating of the six steel strands and melting the polyamide sleeve onto them, standard colour natural



aluminium swages

double-conical aluminium swages with rounded-off ends



S-clamps

rounded Corocord® S-clamps made of stainless steel, Ø 8 mm



For more detailed explanation of the quality characteristics see price list.

Safety check according to EN 1176 and „safety in another way“

Components

- 14 stand posts
- 20 connecting tie beams
- 1 net
- fittings

Dimensions

(small deviations possible)

- length 11.70 m
- width 8.50 m

Required space

15.20 x 12.10 m

Installation information

Surfacing requirements corresponding to a fall height of ≤ 3.00 m (please refer to price list for more detailed information)

Foundations
 14 items 80 x 80 x 60 cm
 excavation depth 80 cm

Note

The climbing structure is an individual construction which is only partly pre-assembled in our workshop. Therefore, the installation needs to be carried out by an installation company authorised by us.
 Technical changes reserved.
Equipment also available made of larch with steel feet.

concealed head

large surface for pressure distribution, prevents water from getting inside, protects the bolt head



adjustable

no projecting threads after re-tightening due to two-piece bolt connection and therefore easy to maintain



distance fitting

to avoid entrapment of cords



6.51007

Play value

Climbing Structures made from hand-processed irregular round logs, can be integrated into a strongly nature-oriented environment due to their formal expressive character. Many children can play within a small space; Climbing Structures can even absorb the arrival of a large number of children who wish to play on it and incorporate all of them within a flowing play rhythm. Climbing Structures do not only allow for climbing, experiencing height, and for having a sensual experience with hands and feet, but they can also be used as a nice seat for relaxing and observing.



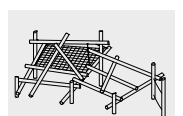
Fundamental characteristics

- natural, strong posts
- no pre-determined play procedures, also able to be used in stages, individual mastering
- incentive for playing: strong, challenging construction
- movement: climbing, balancing, doing exercise

Climbing Structure 08

Suitable

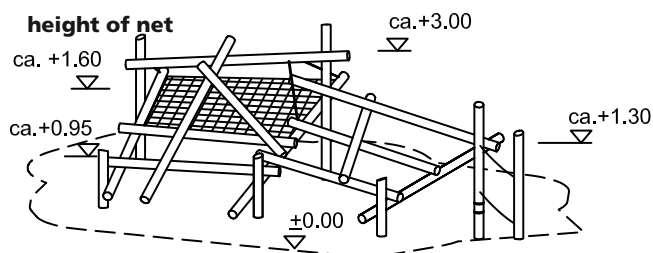
- for children from 6 years and young people
- for schools
- youth centres
- sports grounds
- leisure areas
- parks



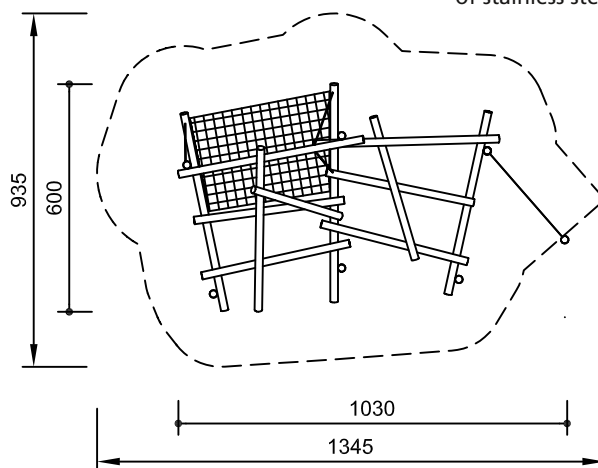
6.51008

Climbing Structure 08
Order No. 6.51008

Height details in meters



scale 1:200
 dimensions in cm



Safety check according to EN 1176 and „safety in another way“

Components

- 7 stand posts
- 9 connecting tie beams
- 1 net
- balancing rope/holding rope
- ropes for tensioning
- fittings

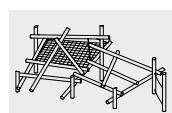
Dimensions

(small deviations possible)

- length 10.30 m
- width 6.00 m

Required space

13.45 x 9.35 m



6.51008

Installation information

Surfacing requirements corresponding to a fall height of ≤ 3.00 m (please refer to price list for more detailed information)

Foundations
 7 items 80 x 80 x 60 cm
 excavation depth 80 cm

Note

The climbing structure is an individual construction which is only partly pre-assembled in our workshop. Therefore, the installation needs to be carried out by an installation company authorised by us.
 Technical changes reserved.
Equipment also available made of larch with steel feet.

Technical information

posts of robinia, \varnothing 15 - 21 cm, splinter free and sanded smooth

angle cut

vertical support posts with angle cut in the end grain section as constructive wood preservation



Corocord® rope

special ropes of "Hercules type"
 six-strand Corocord® rope of the special "Hercules type", abrasion protected through heating of the six steel strands and melting the polyamide sleeve onto them, standard colour natural



aluminium swages

double-conical aluminium swages with rounded-off ends



S-clamps

rounded Corocord® S-clamps made of stainless steel, \varnothing 8 mm



For more detailed explanation of the quality characteristics see price list.

concealed head

large surface for pressure distribution, prevents water from getting inside, protects the bolt head



adjustable

no projecting threads after re-tightening due to two-piece bolt connection and therefore easy to maintain



distance fitting

to avoid entrapment of cords



Play value

Climbing Structures made from hand-processed irregular round logs, can be integrated into a strongly nature-oriented environment due to their formal expressive character. Many children can play within a small space; Climbing Structures can even absorb the arrival of a large number of children who wish to play on it and incorporate all of them within a flowing play rhythm. Climbing Structures do not only allow for climbing, experiencing height, and for having a sensual experience with hands and feet, but they can also be used as a nice seat for relaxing and observing.



Fundamental characteristics

- natural, strong posts
- no pre-determined play procedures, individual mastering
- incentive for playing: strong, challenging construction
- movement: climbing, balancing, doing exercise

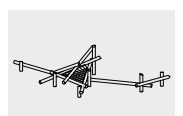
Suitable

- for children from 4 years
- for kindergartens
- schools
- sports grounds
- leisure areas
- parks

Climbing Structure 09

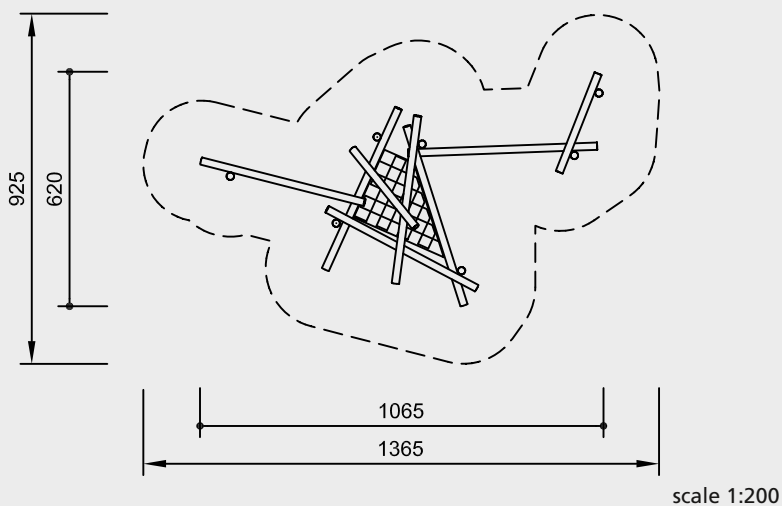
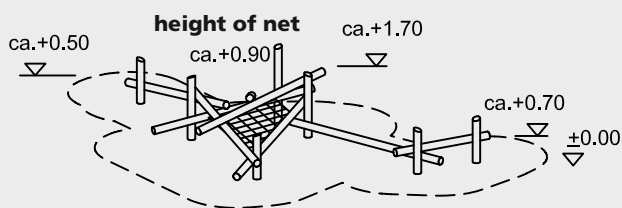
© Richter Spielgeräte GmbH 10/15

Design and Copyright



6.51009

Height details in meters



Safety check according to EN 1176 and „safety in another way“

Components

- 7 stand posts
- 6 connecting tie beams
- 1 net
- fittings

Dimensions

(small deviations possible)

- length 10.65 m
- width 6.20 m

Required space

13.65 x 9.25 m

Installation information

Surfacing requirements corresponding to a fall height of ≤ 2.00 m (please refer to price list for more detailed information)

Foundations

7 items 80 x 80 x 60 cm
excavation depth 80 cm

Note

The climbing structure is an individual construction which is only partly pre-assembled in our workshop. Therefore, the installation needs to be carried out by an installation company authorised by us.
Technical changes reserved.
Equipment also available made of larch with steel feet.

Technical information

posts of robinia, \varnothing 15 - 21 cm, splinter free and sanded smooth

angle cut

vertical support posts with angle cut in the end grain section as constructive wood preservation



Corocord® rope

special ropes of "Hercules type"
six-strand Corocord® rope of the special "Hercules type", abrasion protected through heating of the six steel strands and melting the polyamide sleeve onto them, standard colour natural



aluminium swages

double-conical aluminium swages with rounded-off ends



S-clamps

rounded Corocord® S-clamps made of stainless steel, \varnothing 8 mm



concealed head

large surface for pressure distribution, prevents water from getting inside, protects the bolt head



adjustable

no projecting threads after re-tightening due to two-piece bolt connection and therefore easy to maintain

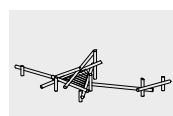


distance fitting

to avoid entrapment of cords



For more detailed explanation of the quality characteristics see price list.



6.51009

Play value

Climbing Structures made from hand-processed irregular round logs, can be integrated into a strongly nature-oriented environment due to their formal expressive character. Many children can play within a small space; Climbing Structures can even absorb the arrival of a large number of children who wish to play on it and incorporate all of them within a flowing play rhythm. Climbing Structures do not only allow for climbing, experiencing height, and for having a sensual experience with hands and feet, but they can also be used as a nice seat for relaxing and observing.



© Richter Spielgeräte GmbH 10/15

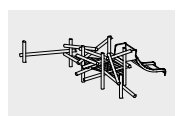
Fundamental characteristics

- natural, strong posts
- no pre-determined play procedures, also able to be used in stages, individual mastering
- incentive for playing: strong, challenging construction
- movement: climbing, balancing, doing exercise, sliding

Climbing Structure 10

Suitable

- for children from 6 years and young people
- for schools
- youth centres
- sports grounds
- leisure areas
- parks

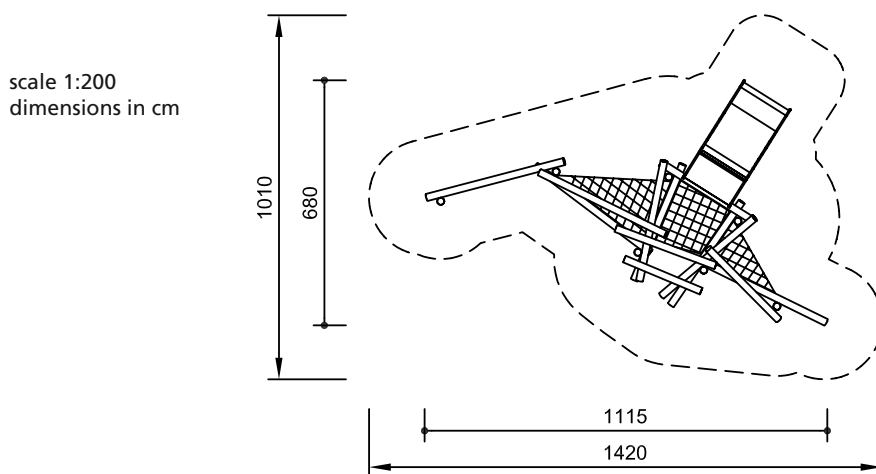
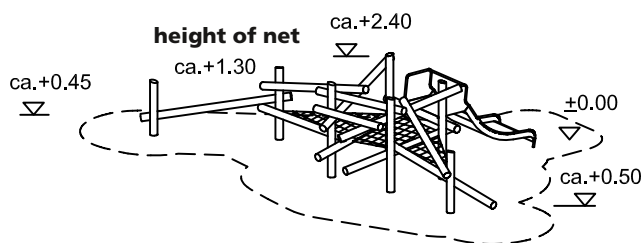


6.51010

Design and Copyright

Climbing Structure 10
Order No. 6.51010

Height details in meters



Safety check according to EN 1176 and „safety in another way“

Components

- 7 stand posts
- 10 connecting tie beams
- 3 nets
- fittings
- stainless steel slide, attachment
- height 1.50 m, width 1.50 m

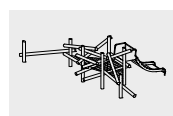
Dimensions

(small deviations possible)

- length 11.15 m
- width 6.80 m

Required space

14.20 x 10.10 m



6.51010

Installation information

Surfacing requirements corresponding to a fall height of ≤ 3.00 m (please refer to price list for more detailed information)

- Foundations
- 7 items 80 x 80 x 60 cm excavation depth 80 cm
- Stainless Steel Slide
- 2 items 30 x 30 x 30 cm excavation depth 70 cm

Note

The climbing structure is an individual construction which is only partly pre-assembled in our workshop. Therefore, the installation needs to be carried out by an installation company authorised by us. Technical changes reserved. Equipment also available made of larch with steel feet.

Technical information

posts of robinia, \varnothing 15 - 21 cm, splinter free and sanded smooth

angle cut

vertical support posts with angle cut in the end grain section as constructive wood preservation



Corocord® rope

special ropes of "Hercules type" six-strand Corocord® rope of the special "Hercules type", abrasion protected through heating of the six steel strands and melting the polyamide sleeve onto them, standard colour natural



aluminium swages

double-conical aluminium swages with rounded-off ends



For more detailed explanation of the quality characteristics see price list.

S-clamps

rounded Corocord® S-clamps made of stainless steel, \varnothing 8 mm



concealed head

large surface for pressure distribution, prevents water from getting inside, protects the bolt head



adjustable

no projecting threads after re-tightening due to two-piece bolt connection and therefore easy to maintain



distance fitting

to avoid entrapment of cords



total construction of the slide made of stainless steel, thickness of slide metal: 3 mm, slide walls glass bead blasted

starting element of the slide

enlarged entry area for a safe crossing from climbing to sliding



Play value

Climbing Structures made from hand-processed irregular round logs, can be integrated into a strongly nature-oriented environment due to their formal expressive character. Many children can play within a small space; Climbing Structures can even absorb the arrival of a large number of children who wish to play on it and incorporate all of them within a flowing play rhythm. Climbing Structures do not only allow for climbing, experiencing height, and for having a sensual experience with hands and feet, but they can also be used as a nice seat for relaxing and observing.



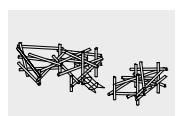
Fundamental characteristics

- natural, strong posts
- no pre-determined play procedures, individual mastering
- incentive for playing: strong, challenging construction
- movement: climbing, balancing, doing exercise

Suitable

- for children from 6 years and young people
- for schools
- youth centres
- sports grounds
- leisure areas
- parks

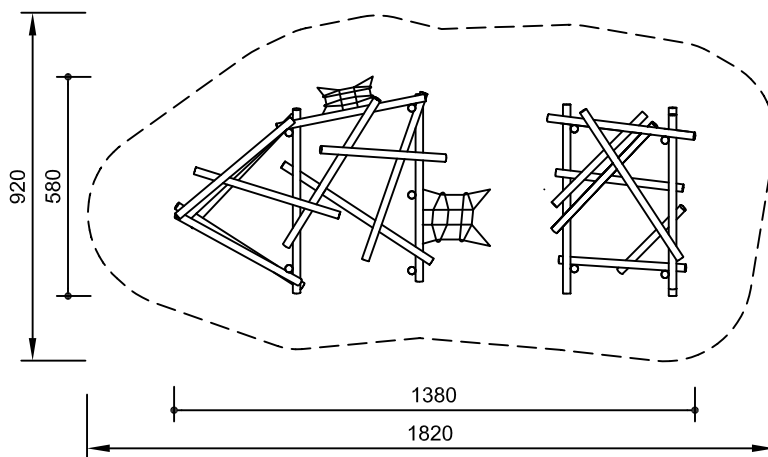
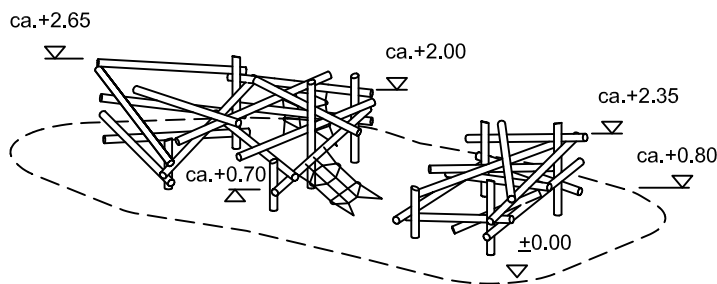
Climbing Structure 11



6.51011

Climbing Structure 11
Order No. 6.51011

Height details in meters



Safety check according to EN 1176 and „safety in another way“

Components

- 10 stand posts
- 26 connecting tie beams
- 2 inclined climbing nets
- fittings

Dimensions

(small deviations possible)

- length 13.80 m
- width 5.80 m

Required space

18.20 x 9.20 m

Installation information

Surfacing requirements corresponding to a fall height of ≤ 3.00 m (please refer to price list for more detailed information)

- Foundations
- 10 items 80 x 80 x 60 cm excavation depth 80 cm
- Inclined Climbing Nets
- 2 items 50 x 50 x 40 cm excavation depth 80 cm

Note

The climbing structure is an individual construction which is only partly pre-assembled in our workshop. Therefore, the installation needs to be carried out by an installation company authorised by us. Technical changes reserved.
Equipment also available made of larch with steel feet.

Technical information

posts of robinia, \varnothing 15 - 21 cm, splinter free and sanded smooth

angle cut

vertical support posts with angle cut in the end grain section as constructive wood preservation



Corocord® rope

special ropes of "Hercules type" six-strand Corocord® rope of the special "Hercules type", abrasion protected through heating of the six steel strands and melting the polyamide sleeve onto them, standard colour natural

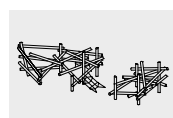


aluminium swages

double-conical aluminium swages with rounded-off ends



For more detailed explanation of the quality characteristics see price list.



6.51011



S-clamps

rounded Corocord® S-clamps made of stainless steel, \varnothing 8 mm



concealed head

large surface for pressure distribution, prevents water from getting inside, protects the bolt head



adjustable

no projecting threads after re-tightening due to two-piece bolt connection and therefore easy to maintain



distance fitting

to avoid entrapment of cords

Play value

Climbing Structures made from hand-processed irregular round logs, can be integrated into a strongly nature-oriented environment due to their formal expressive character. Many children can play within a small space; Climbing Structures can even absorb the arrival of a large number of children who wish to play on it and incorporate all of them within a flowing play rhythm. Climbing Structures do not only allow for climbing, experiencing height, and for having a sensual experience with hands and feet, but they can also be used as a nice seat for relaxing and observing.



© Richter Spielgeräte GmbH 10/15

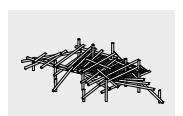
Fundamental characteristics

- natural, strong posts
- no pre-determined play procedures, also able to be used in stages, individual mastering
- incentive for playing: strong, challenging construction
- movement: climbing, balancing, doing exercise

Suitable

- for children from 6 years and young people
- for schools
youth centres
sports grounds
leisure areas
parks

Climbing Structure 12

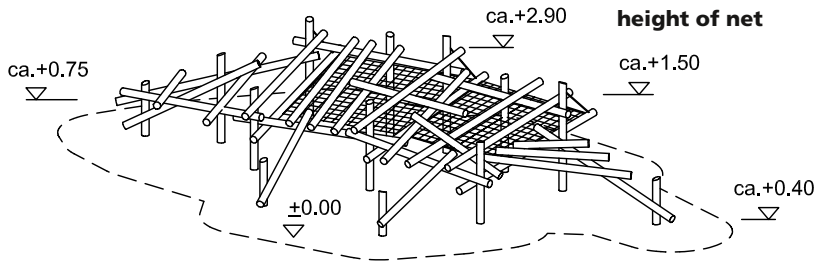


6.51012

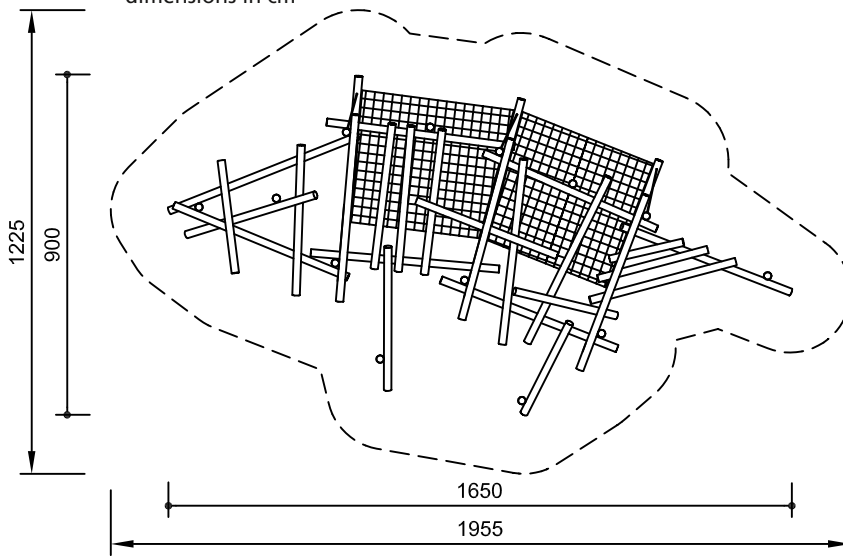
Design and Copyright

Climbing Structure 12
Order No. 6.51012

Height details in meters



scale 1:200
 dimensions in cm



Technical information

posts of robinia, Ø 15 - 21 cm, splinter free and sanded smooth

angle cut

vertical support posts with angle cut in the end grain section as constructive wood preservation



Corocord® rope

special ropes of "Hercules type"
 six-strand Corocord® rope of the special "Hercules type", abrasion protected through heating of the six steel strands and melting the polyamide sleeve onto them, standard colour natural



aluminium swages

double-conical aluminium swages with rounded-off ends



For more detailed explanation of the quality characteristics see price list.

Safety check according to EN 1176 and „safety in another way“

Components

- 13 stand posts
- 25 connecting tie beams
- 2 nets
- ropes for tensioning
- fittings

Dimensions

(small deviations possible)

length 16.50 m
 width 9.00 m

Required space

19.55 x 12.25 m

Installation information

Surfacing requirements corresponding to a fall height of ≤ 3.00 m (please refer to price list for more detailed information)

Foundations
 13 items 80 x 80 x 60 cm
 excavation depth 80 cm

Note

The climbing structure is an individual construction which is only partly pre-assembled in our workshop. Therefore, the installation needs to be carried out by an installation company authorised by us. Technical changes reserved. Equipment also available made of larch with steel feet.

S-clamps

rounded Corocord® S-clamps made of stainless steel, Ø 8 mm



concealed head

large surface for pressure distribution, prevents water from getting inside, protects the bolt head



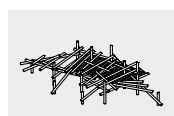
adjustable

no projecting threads after re-tightening due to two-piece bolt connection and therefore easy to maintain



distance fitting

to avoid entrapment of cords



6.51012

Play value

Thanks to its various degrees of difficulty at different heights, the Climbing Forest is a thrilling challenge for children and adults who love to exercise and enjoy testing their strength and capabilities. As the trunks and ropes provide enough space to accommodate large numbers of adventurers at the same time, the Climbing Forest is well suited for heavily frequented playgrounds



Standard colour of ropes: red.

Climbing together, moving hand over hand and balancing require skill and prudence. Children improve their motor skills and their ability to assess risks in a playful manner. Encounters on a rocking rope mean that you have to coordinate what you do with the other person. Having overcome a seemingly impossible obstacle strengthens the children's self-esteem – the proud expression on their faces when they reach the top of the Climbing Forest speaks for itself. The younger and older climbers joyfully experience how concentration and stamina help accomplish great goals.

Suitable

- for children from 6 years and teenagers
- for leisure areas
- youth centres
- schools
- sports grounds
- parks

Climbing Forest



10.80001

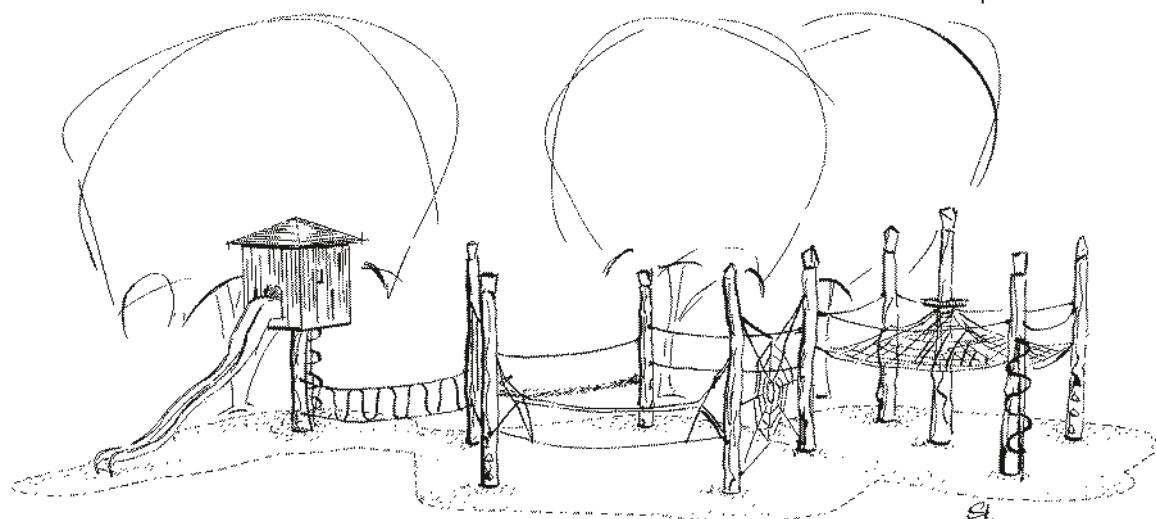
Design example 01

Technical information

posts of oak, milled whereby the bark, cambium and sap wood is removed

angle cut

vertical stand posts with angle cut in the end grain section as constructive wood preservation



Please refer to the price list for a more detailed explanation of the quality characteristics.

required space

approx. 25.90 x 14.30 m

core-free timber

sawn timbers core-free, thus decreasing occurrences of cracking



Fürstenberg Permadur procedure

as protection against rot



Corocord® rope

special ropes of "Hercules type"
six-strand Corocord® rope of the special "Hercules type", abrasion-protected through heating of the six steel strands and melting the polyamide sleeve onto them, standard colour red



Components

- 10 trunks
- 1 tree house
- 1 stainless steel slide with wave and higher sides Order No. 3.63225
- 1 parallel rope, length 5.00 m
- 1 walk rope with 3 grip ropes
- 1 Nepalese rope bridge, length 5.00 m
- 1 spider's web, width 5.00 m
- 1 coconut rope with hand rope
- 1 walk rope with hand rope
- 1 horizontal square net on lookout with 4 rope handrails
- 2 Indian ladders

peg out plans and rope plans

Installation information

Surfacing requirements corresponding to a fall height of ≤ 3.00 m (please refer to price list for more detailed information)

Foundations approx. 100 x 100 x 130 - 100 x 100 x 230 cm

brass bush

for all to and fro movements we use bush bearings which allow for self-lubrication while in use and are easy to exchange if required



chains

suspended on short-link chains, welded before hot-dip galvanisation (stainless steel chains available on request)



aluminium swages

double-conical aluminium swages with rounded-off ends



S-clamps

rounded Corocord® S-clamps made of stainless steel, $\varnothing 8$ mm



Hercules type ropes

combined from steel and polyamide yarn for the sleeve, 4 or 6 strands depending on usage



universal joint

drop-forged, hot-dip galvanised joint yoke; the universal joint insert consists of two swing bearings



rope connection rotating

close fitting connection without dangerous openings, with integrated swivel, the bearing consists of one brass bush



adjustable

easy to maintain, no projecting threads after re-tightening due to two-piece bolt connections



10.80001

Concept

- Climbing in lofty heights or just above the ground
Climbing trunks and ropes are the basic elements, ideally 'planted' between large living trees.
- For publicly accessible and unsupervised areas; The climbing forest is not a high ropes course. Therefore, no helmets, safety belts, or supervisory personnel are necessary!

Design characteristics

Individually planned installation with graded difficulty levels for big and small

- Logs from 100 to 200 year old oak trees in natural growth form, therefore larger variety of height and span width is possible
- Handcrafted with a clear message: "function defines form"



Standard colour of ropes: red.

The Climbing Forest is a modular system made of strong oak trunks and rope climbing connections. The elements may be arranged in a vast number of ways, for example to form a circuit or a swerving path around existing trees. We will design an individual arrangement according to your terrain and the available space. You will find an overview of our individual elements on the following pages.

Planning information

So that we can plan a climbing forest we require the following information:

- plan of site with scale, reference measurements, north point, height details
- where necessary, tree register, photos
- details of the position of supply lines in the earth or above it
- budget

Climbing Forest



10.80002

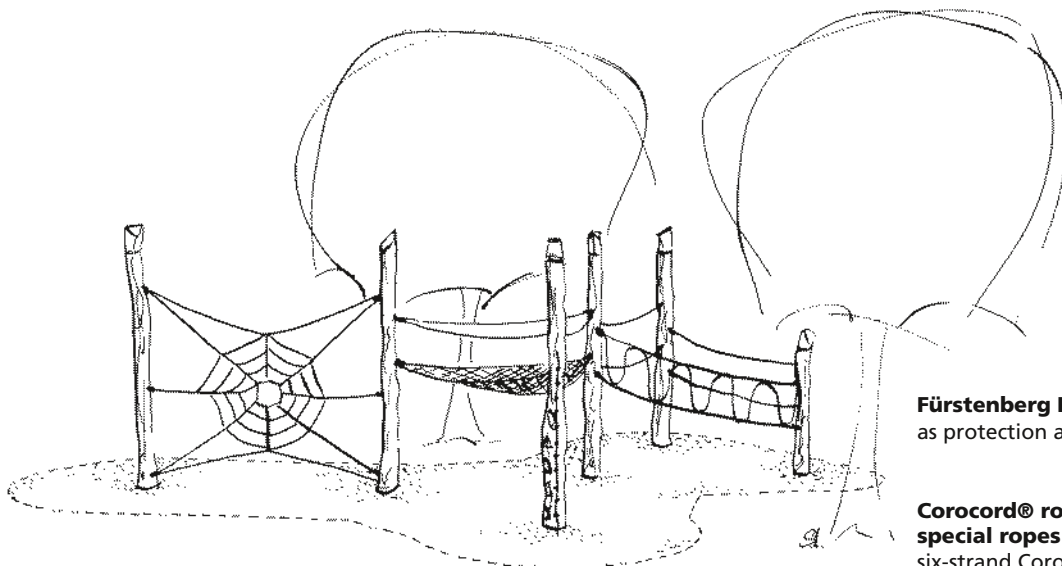
Design example 02

Technical information

posts of oak, milled whereby the bark, cambium and sap wood is removed

angle cut

vertical stand posts with angle cut in the end grain section as constructive wood preservation



required space

approx. 15.90 x 10.20 m

Fürstenberg Permadur procedure
as protection against rot



Corocord® rope
special ropes of "Hercules type"
six-strand Corocord® rope of the special "Hercules type", abrasion-protected through heating of the six steel strands and melting the polyamide sleeve onto them, standard colour red



aluminium swages

double-conical aluminium swages with rounded-off ends



S-clamps

rounded Corocord® S-clamps made of stainless steel, Ø 8 mm



Hercules type ropes

combined from steel and polyamide yarn for the sleeve, 4 or 6 strands depending on usage



universal joint

drop-forged, hot-dip galvanised joint yoke; the universal joint insert consists of two swing bearings



rope connection rotating

close fitting connection without dangerous openings, with integrated swivel, the bearing consists of one brass bush



adjustable

easy to maintain, no projecting threads after re-tightening due to two-piece bolt connections



brass bush

for all to and fro movements we use bush bearings which allow for self-lubrication while in use and are easy to exchange if required



chains

suspended on short-link chains, welded before hot-dip galvanisation (stainless steel on request)



Components

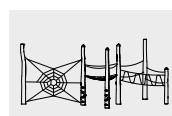
- 6 trunks
- 1 spider's web, width 5.00 m
- 1 horizontal triangular net with 3 rope handrails
- 1 parallel rope, length 4.00 m
- 2 walk ropes with hand ropes
- 1 knot rope

peg out plans and rope plans

Installation information

Surfacing requirements corresponding to a fall height of ≤ 3.00 m (please refer to price list for more detailed information)

Foundations approx. 100 x 100 x 130 - 100 x 100 x 230 cm



10.80002

Please refer to the price list for a more detailed explanation of the quality characteristics.

Safety

The Climbing Forest complies with the currently applicable playground equipment standard, EN 1176 Safety inspection and safety approval can be carried out following installation on-site. As laid down in the standard, there is no free fall height over 3 m. Above this height, net tunnels can be used or nets can be installed at intermediate levels.

Delivery and assembly (on-site)

take place in 3 steps:

1. earth and foundation work

2. first part of delivery

assembly of trunks and rope elements with fixed lengths; determination of the lengths of the customised rope elements

3. second part of delivery

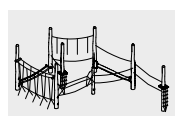
assembly of customised rope elements



Standard colour of ropes: red.

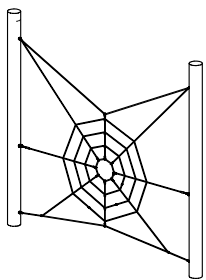


**Climbing Forest
Combination Elements**

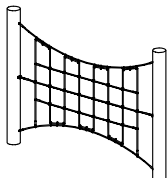


10.80000

The following section shows you the individual elements from which our Climbing Forest can be combined. We would be pleased to create plans for your individual Climbing Forest.



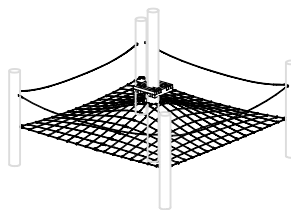
Spider's Web



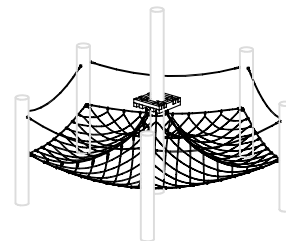
Vertical Climbing Net



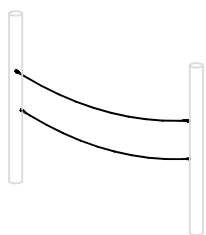
Horizontal Triangular Net



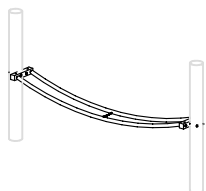
Horizontal Square Net



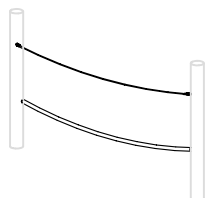
Horizontal Pentagonal Net



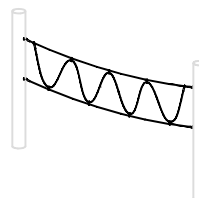
Walk Rope with Hand Rope



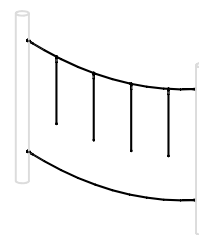
Double Coconut Rope



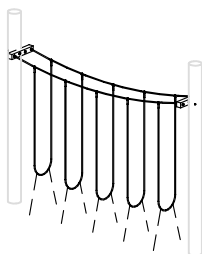
Coconut Rope with Hand Rope



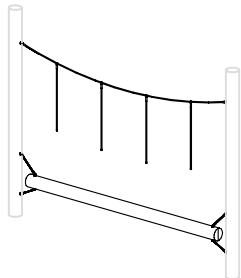
Parallel Rope



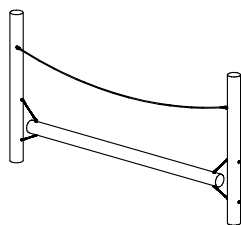
Grip Ropes with Walk Rope



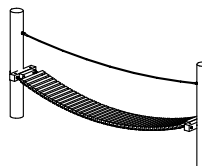
Noose Steps



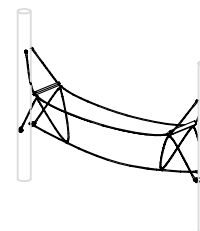
Balancing Beam with Grip Ropes



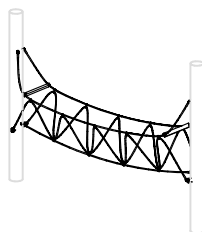
Balancing Beam with Hand Rope



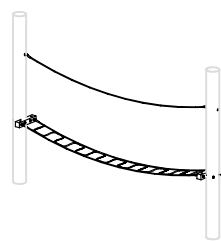
Suspension Bridge with Hand Rope



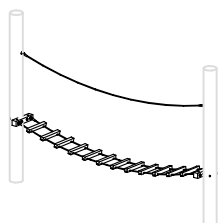
Nepalese Rope Bridge



3-Rope Bridge



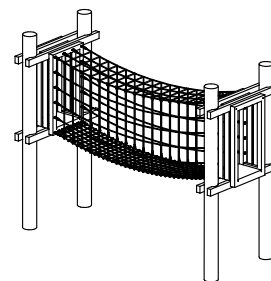
Wobbly Bridge with Hand Rope



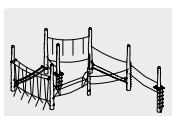
Ladder Bridge with Hand Rope



Grip Rings



Net Tunnel Bridge



10.80000

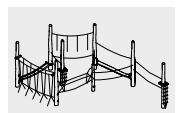
Copyright © Richter Spielgeräte GmbH 10/15

Design: W. Graubner

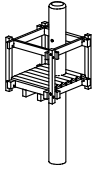


Standard colour of ropes: red

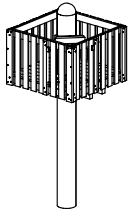
**Climbing Forest
Combination Elements**



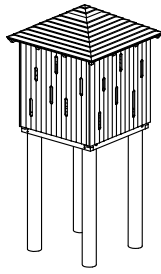
10.80000



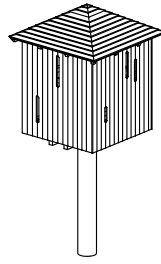
Small Crow's Nest



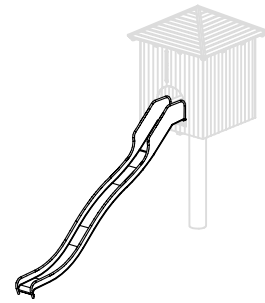
Large Crow's Nest



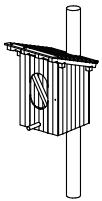
Tree House
incl. 4 trunks



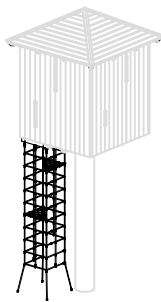
Tree House
incl. 1 trunk



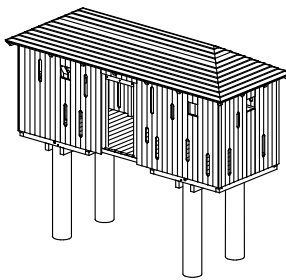
Slides



Nest Box



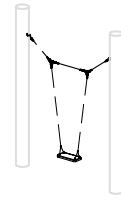
Net Tunnel
as Ladder



Long Tree House



Hammock



Swing



Whisk



Double Hammock Seat



Rope Bar



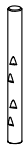
Horizontal Bar



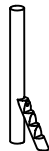
Lookout
Rope Ladder



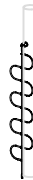
Trunk



Trunk with Steps



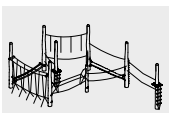
Climbing Trunk



Indian Ladder



Knot Rope



10.80000



Play value

The Climbing Wall represents an attractive challenge which can be climbed from both sides and offers various degrees of difficulty. The differently designed surface structure and the various elements to step and hold onto offer a place matching to everybody's courage. The Climbing Wall can be extended and in the angle modified between 60° and 90° conforming to design requirements. It separates play areas and is suited as space-forming element.

Fundamental characteristics

- sturdy construction allows for free-standing installation
- can be climbed from both sides
- space-forming element
- incentive for playing: climbing grips, height, connecting element
- movement: climbing

Suitable

- for children from 8 years and young people
- for public playgrounds
- schools
- nurseries
- leisure areas
- outdoor swimming pools



Climbing Wall
with 2 or 4 elements

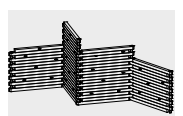


© Richter Spielgeräte GmbH 10/15

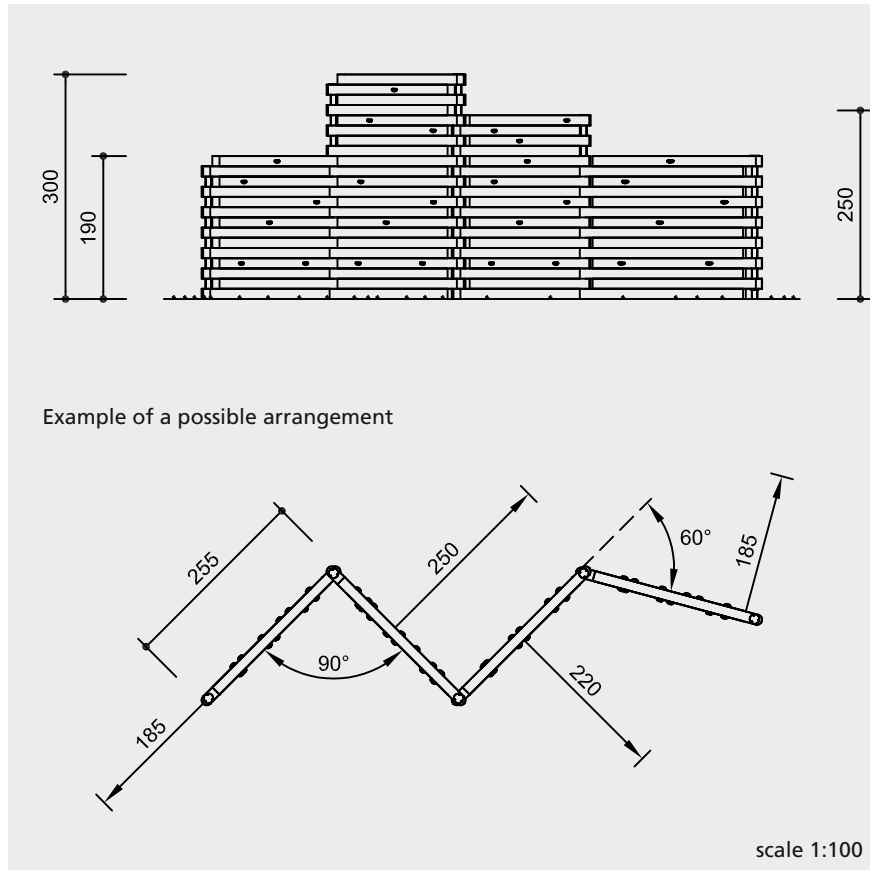
Design and Copyright



7.77010



7.77060



Example of a possible arrangement

Safety check according to EN 1176

Technical information

core-free timber

cut timber of non-impregnated mountain larch, core-free thus decreasing the occurrence of cracking walls in block construction of square timbers 14/14 cm



ground anchor

steel tubes Ø 78 mm, all parts used for anchoring to the ground made of hot-dip galvanised steel



climbing aids

professional climbing grips made of a mixture of sand/synthetic resin with anti-rotation system against unintended twisting of the grips

Dimensions

(small deviations possible)

Order No. 7.77010

Climbing Wall with 2 elements

height 1.90 m
element width 2.55 m
weight 1000 kg

Order No. 7.77060

Climbing Wall with 4 elements

height 2 x 1.90 m
1 x 2.50 m
1 x 3.00 m
element width 2.55 m
weight 2500 kg

Components

Order No. 7.77010

Climbing Wall with 2 elements

2 wall elements, height 1.90 m of 2 x 7 double-layer modules with grips
3 steel tubes as ground anchors

Order No. 7.77060

Climbing Wall with 4 elements

4 wall elements in the heights of 1.90 m/3.00 m/2.50 m/1.90 m of 2 x 7, 1 x 11 and 1 x 9 double-layer modules, with grips
5 steel tubes as ground anchors

Installation information

Surfacing requirements corresponding to a fall height of ≤ 2.00 to max. ≤ 3.00 m (please refer to price list for more detailed information)

Foundations

Order No. 7.77010 with 2 elements
3 items 100 x 100 x 50 cm
excavation depth 70 cm
Order No. 7.77060 with 4 elements
5 items 100 x 100 x 50 cm
excavation depth 70 cm

The wall elements have to be installed angular to guarantee stability; the standard anchors are sufficient for angles of 60° - 90°.

Attention:

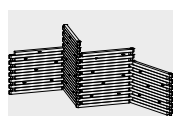
Exact measurements may vary, for all installation dimensions refer to current installation instructions.

Technical changes reserved.

For more detailed explanation of the quality characteristics see price list.



7.77010



7.77060

Play value

Climbing poles of equal length are centrally arranged, offering children and adolescents competitive play opportunities. The reward for climbing is the ringing of a bell at the top when it is tapped. Boys in particular, like measuring their strengths and skills and for this reason the Bell Climbing Poles are particularly suited to the teenager's area.

Fundamental characteristics

- unique and original
- damped anchorage, which enables the free-standing poles to swing, is included in delivery
- incentive for playing: tapping the bell
- exercise activity: climbing

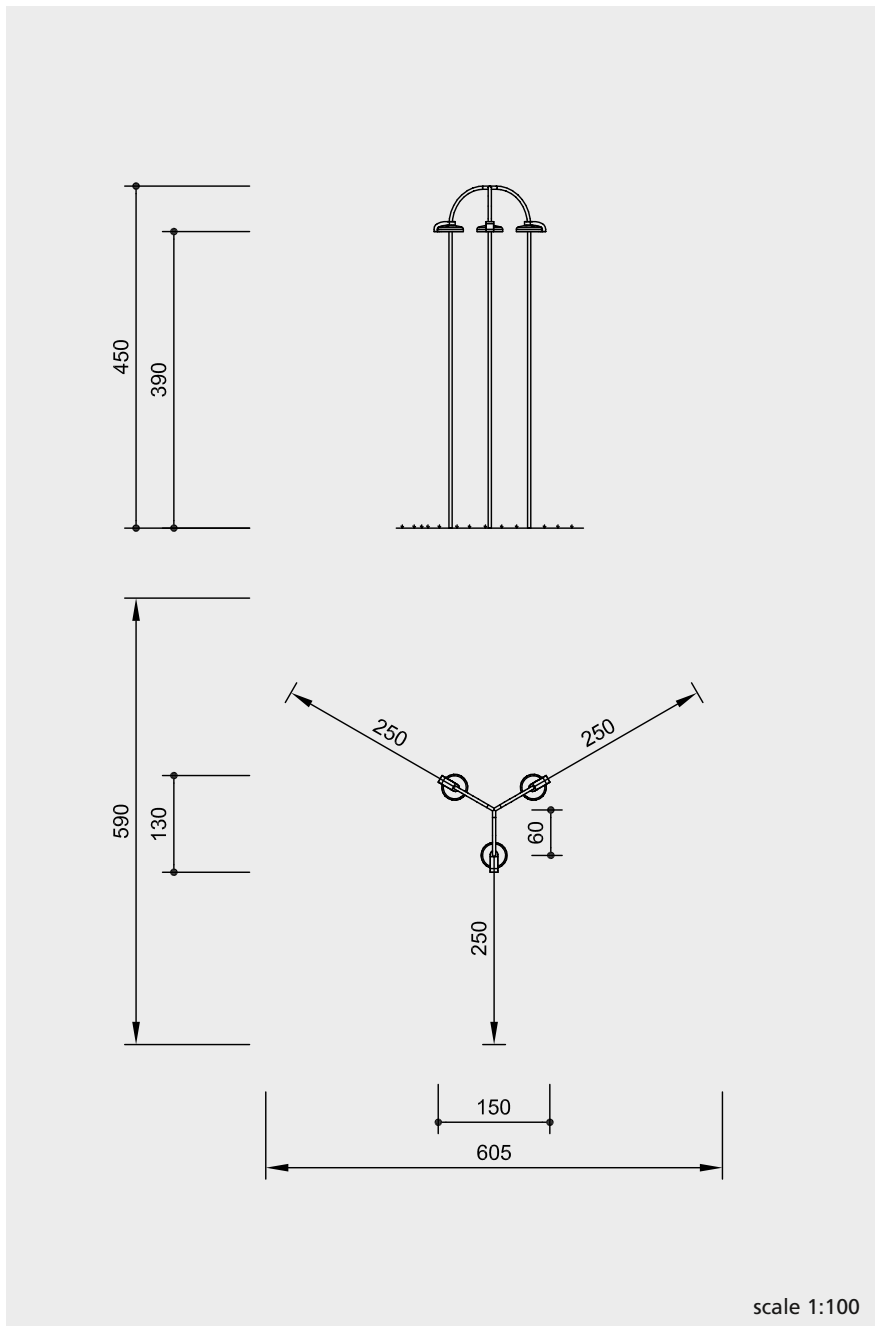
Suitable

- for children from 6 years and young people
- for public playgrounds
school playgrounds
outdoor swimming pools
parks
youth centres



Bell Climbing Poles





safety check according to EN 1176

Technical information

climbing poles of stainless steel, reinforced against kinking in the lower half

colourfully painted sound elements, relatively soft percussion with plastic element, bell-like sound

ground anchor
all parts used for anchoring to the ground made of stainless steel



Dimensions

(small deviations possible)

height	4.50 m
height of bells	3.90 m
length	1.50 m
width	1.30 m
wall thickness of tubes	42 x 3.2 mm
weight	240 kg

For more detailed explanation of the quality characteristics see price list.

Components

3 climbing poles, welded together, with bells and rubber-damped anchorage construction

Installation information

Surfacing requirements corresponding to a fall height of ≤ 3.00 m (please refer to price list for more detailed information)

Foundations
1 item $\varnothing 2.20$ m x 1.00 m
excavation depth 140 cm

Attention:
Exact measurements may vary; for all installation dimensions refer to current assembly instructions.

Technical changes reserved.



7.90000

Play value

Climbing, crawling inside or crawling through: the Climbing Loom offers children from three years of age various opportunities to test out their agility but also to hide in one of the spaces between the logs. Skill is required to manoeuvre through the Loom of logs like a snake.

Fundamental characteristics

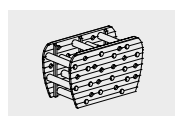
- logs arranged like a loom
- peepholes at the side
- movement: climbing up and around, crawling

Suitable

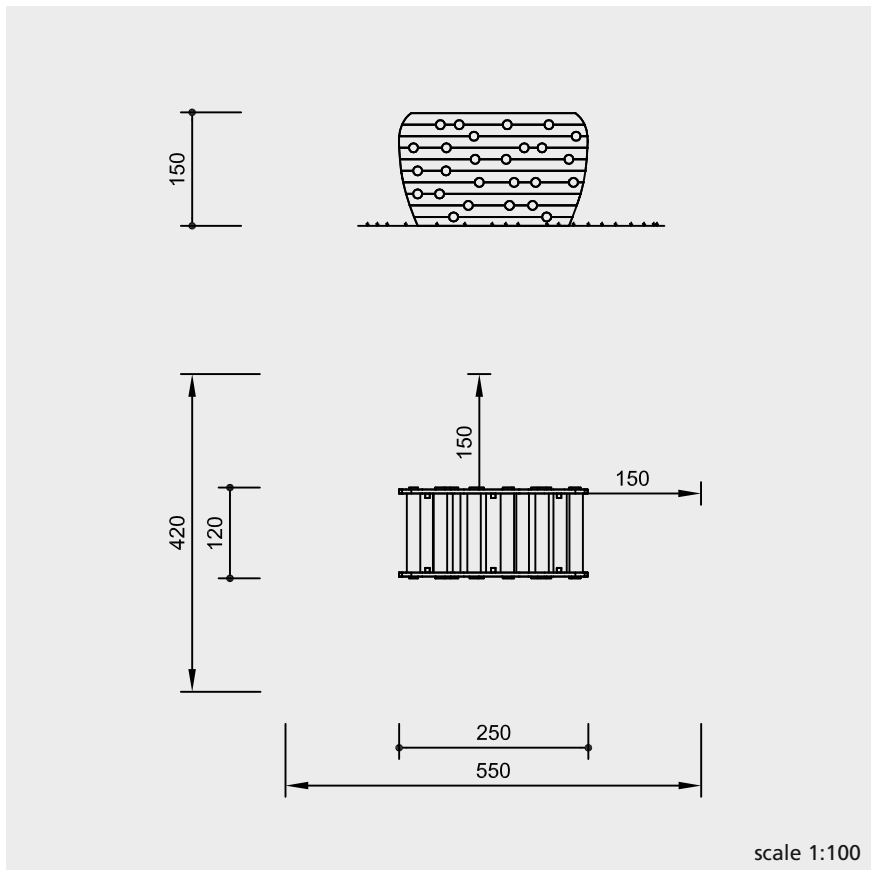
- for children from 3 years
- for public playgrounds



Climbing Loom



4.20000



Safety check according to EN 1176

Technical information

equipment of non-impregnated mountain larch

de-barked
de-barked posts, Ø 16 - 18 cm



core-free
sawn timbers core-free, by that formation of cracks can be reduced



steel frame and ground anchor made of stainless steel, glass bead blasted



Dimensions

(small deviations possible)

height	1.50 m
length	2.50 m
width	1.20 m
weight	550 kg

For more detailed explanation of the quality characteristics see price list.

Components

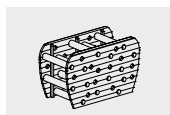
1 climbing loom complete with 4 steel feet

Installation information

Surfacing requirements corresponding to a fall height of ≤ 1.50 m (please refer to price list for more detailed information)

Foundations
4 items 30 x 30 x 30 cm
excavation depth 50 cm

Attention:
Exact measurements may vary, for all installation dimensions refer to current installation instructions.
Technical changes reserved.



4.20000

D Movement

- 1 Cableways
- 2 Turning
- 3 Swinging · swaying · rocking
- 4 Jumping · see-sawing · wobbling
- 5 Balancing
- 6 Sliding
- 7 Climbing
- 8 Free-standing bridges

When children are allowed to choose, they prefer to take the more difficult path from A to B. They love challenges and unusual situations that differ from normal life. This gives them confidence and the pleasure of successfully mastering complicated crossings. Our range of different bridges and crossings in the air or over the water are interesting design elements that can enrich a play area.

D 8 Free-standing bridges

Order No. Item/symbol	page
 6.52500 Bow Bridge	489
 6.61000 Big Suspension Bridge	491
 6.62300 Suspension Bridge for Wheelchair Users	493
more examples of suspension bridges	495 - 496

Function and Play value

The Bow Bridge contributes in a special way to the design of a play area with its appealing appearance particularly if used for its original purpose. The steps are suspended from a chain net at four points where the horizontal chains harmonise the movement of the tread boards. Walking on the steps is a new fun feeling especially in chasing games or swaying in the heights.



Copyright © Richter Spielgeräte GmbH 10/15

Fundamental characteristics

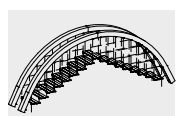
- appealing design
unique and original
- incentive for playing: big bows, curiosity
- movement: balancing, swinging, holding on to

Bow Bridge

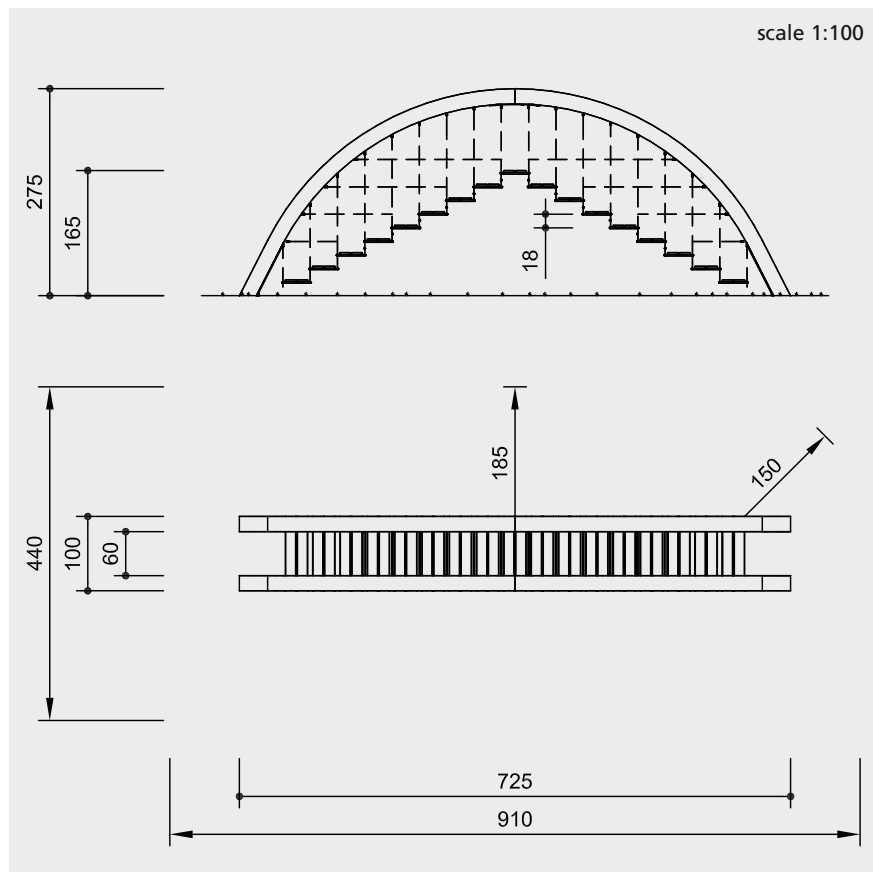
Suitable

- for children from 5 years
- for public playgrounds
leisure areas
excursion areas
parks
pedestrian zones

Design S. Kessler



6.52500



Safety check according to EN 1176 and „safety in another way“

Components

- 2 two-part laminated arches
span = 6.90 m
- 17 steps of hardwood
suspended on hot-dip galvanised chains

Installation information

Surfacing requirements
corresponding to a fall height of ≤ 2.00 m
(please refer to price list for more
detailed information)

Foundations
2 items 100 x 200 x 70 cm
excavation depth 90 cm

Attention:
**Exact measurements may vary, for
all installation dimensions refer to
current installation instructions.**
Technical changes reserved.

Technical information

steps of oak

core-free wood

sawn timbers core-free, by that
formation of cracks can be reduced
and planed



laminated

carrying beams of timber laminated
according to DIN 1052, cross-section
20/20 cm



ground anchor

all parts used for anchoring to the
ground made of hot-dip galvanised
steel



chains

suspended on short-link chains, 6 mm,
welded before hot-dip galvanisation
(stainless steel chains available on
request)



all chain connections screw-fastened
without eyelets

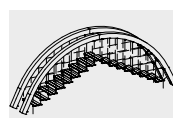
fittings hot-dip galvanised

Dimensions

(small deviations possible)

height	2.75 m
length	7.25 m
width	1.00 m
weight	700 kg

For more detailed explanation of the
quality characteristics see price list.



6.52500

Play value

Suspension bridges have the effect of large scale. The dynamic swing and the apparently fragile construction have great appeal in addition to their design quality. Such bridges are seldom left out of play activity and adults go out of their way on walks to try them out.



The picture shows the standard version with ladder



The picture shows a special version with starting ramps

Fundamental characteristics

- unique and original
- appealing construction, also for adults
- incentive for playing: swinging, curiosity
- movement: walking, wobbling, jumping

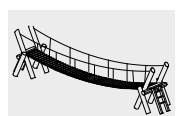
Suitable

- for children from 6 years
- for public playgrounds
- leisure areas
- parks

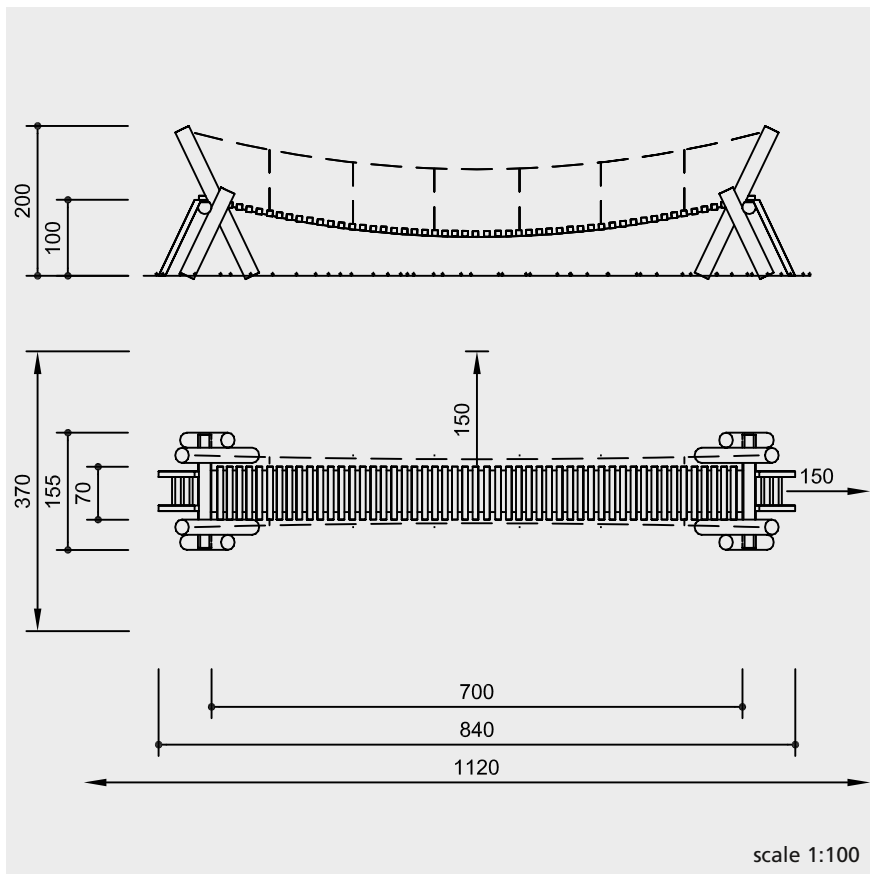
Big Suspension Bridge

© Richter Spielgeräte GmbH 10/15

Design and Copyright



6.61000



Safety check according to EN 1176

Components

2 end frames with ladder
1 walkway with chain handrails
length 7.00 m

The handrails are also available as zigzag version, with 19 mm ropes of Corocord® rope of the special "Hercules" type, abrasion protected through heating of the six steel strands and melting the polyamide sleeve onto them.

Installation information

Surfacing requirements corresponding to fall height, dependent on installation situation
(please refer to price list for more detailed information)

Foundations
4 items 175 x 220 x 80 cm, u-shaped
excavation depth 100 cm

Attention:
Exact measurements may vary, for all installation dimensions refer to current installation instructions.
Technical changes reserved.
Equipment also available with steel feet.

Technical information

de-barked posts

de-barked posts, Ø 18 - 21 cm, of spruce/fir, boiler pressure impregnated according to DIN 68800-3, use class 4



perforated

the earth/air zone of the wood is perforated by small bore holes to ensure that the impregnating agent penetrates this particularly endangered zone



core-free timber

sawn timbers of non-impregnated mountain larch, core-free, by that formation of cracks can be reduced, walking boards, individually fastened to carrying ropes



hardwood rungs

climbing rungs of hardwood, milled and mortised, Ø 42 mm



"Hercules" rope

carrying ropes of 18 mm according to the "Hercules type" with steel core



concealed head

large surface for pressure distribution, prevents water from getting inside, protects the bolt head



adjustable

no projecting threads after re-tightening due to two-piece bolt connection and therefore easy to maintain



strong fastening

bolt connections with milled metal rings for connections which are stressed cross-wise



chains

handrail chains short-link, 6 mm, of stainless steel



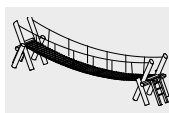
Dimensions

(small deviations possible)

outside dimension	8.40 m
walkway length	7.00 m
walkway width	0.70 m
walking boards	75 x 75 mm
platform height	1.00 m
weight	600 kg

special lengths on request

For more detailed explanation of the quality characteristics see price list.



6.61000

Play value

This impressive suspension bridge with its filigree guy ropes is a special design element for large leisure parks. The attractive access gates with their sparkling tips are eye-catchers, which can be seen from afar. These two pylons carry the whole construction. The walking boards of the bridge are suspended in such a way that the system slightly vibrates under load. The bridge is horizontally suspended without any sag over the entire distance. This enables it to be used by vehicles such as children's vehicles, wheelchairs, and bicycles.



The standard colour for Corocord® rope handrails is red.

Fundamental characteristics

- unique and original
- the construction allows for a span of up to 18 m
- wide space for walking and driving

Suitable

- for all age groups
- for leisure parks
- outdoor swimming pools
- parks

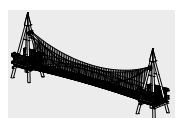
Barrier-free

- special exercise experience

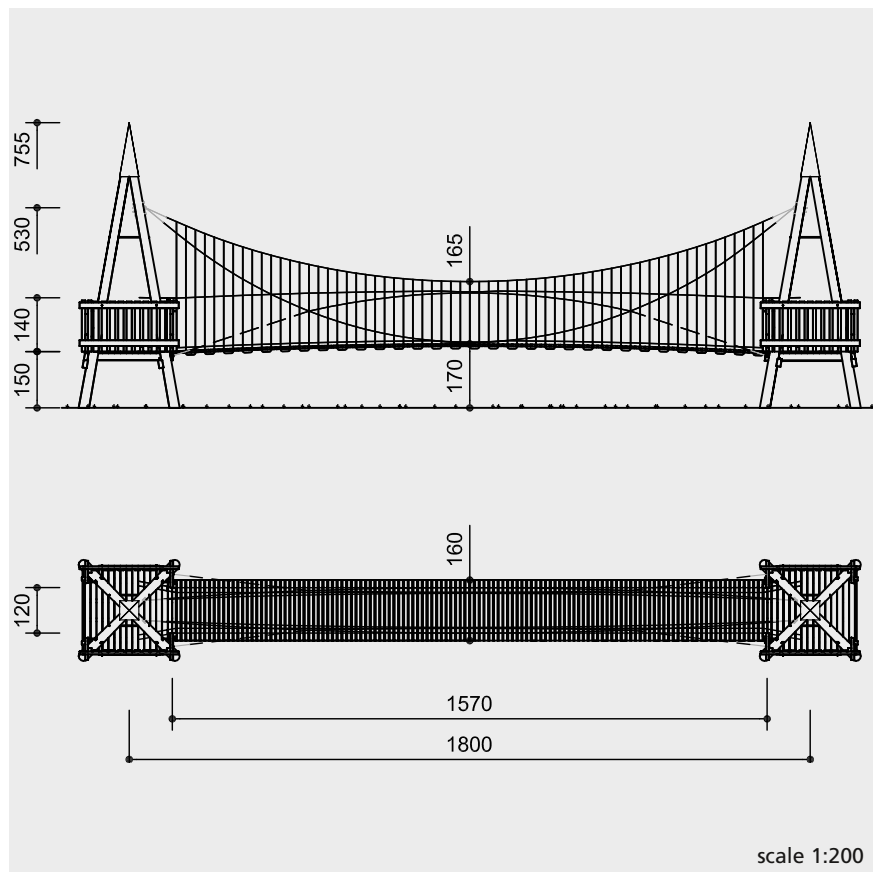
Planning information

Access components must be designed according to on-site conditions and are not included in delivery.

Suspension Bridge for Wheelchair Users



6.62300



safety check according to EN 1176

Components

- 2 pylons with platforms
- 8 steel feet
- 1 complete suspension bridge

Access components are not included in delivery.

Installation information

Surfacing requirements corresponding to a fall height of ≤ 1.50 m (please refer to price list for more detailed information)

Foundations depend on the installation conditions

Attention:
Exact measurements may vary; for all installation dimensions refer to current assembly instructions.
 Technical changes reserved.

Technical information

de-barked posts

de-barked posts, \varnothing 25 - 30 cm, of spruce/fir, boiler pressure impregnated according to DIN 68800-3, use class 4



core-free timber

sawn timbers of non-impregnated mountain larch, core-free, by that formation of cracks can be reduced



tongue and groove

platform floors made of 40 mm tongue and groove boarding



Corocord® rope

special ropes of "Hercules type"
 edge and net ropes of six-strand Corocord® rope, \varnothing 22 mm, of the special "Hercules type", abrasion-protected through heating of the six steel strands and melting the polyamide sleeve onto them, standard colour red



aluminium swages

double-conical aluminium swages with rounded-off ends



S-clamps

neatly rounded Corocord® S-clamps made of stainless steel, \varnothing 8 mm



ground anchor

all parts used for anchoring to the ground made of hot-dip galvanised steel



tips of stainless steel, glass-bead blasted

fittings of stainless steel or hot-dip galvanised

turnbuckles electro-galvanised

Dimensions

(small deviations possible)

Suspension Bridge

length	18.00 m
length walk way	15.70 m
width	1.20 m

Pylons

height	7.55 m
platform height	1.50 m

Please refer to the price list for a more detailed explanation of the quality characteristics.



6.62300

Play value

A Suspension Bridge conveys the impression of adventure and danger and is therefore a centre of attraction for children. During walking, the bridge starts swinging, requiring skill and concentration to get from one end to the other in a straight line.



**Examples
for Crossings**



Play value

The Suspension Bridge is an attractive way of joining two areas harmoniously. People enjoy getting from one side to the other and taking a shortcut or having overcome a "dangerous" stretch. Equally satisfying is being able to be above the water without getting wet. Our bridges are matched to the terrain and can be delivered in various sizes.

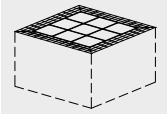
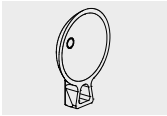
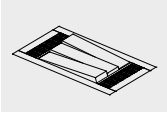
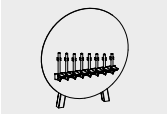
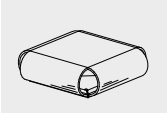

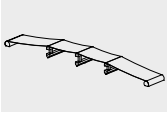
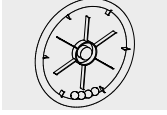
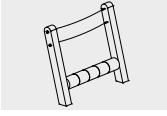
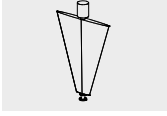
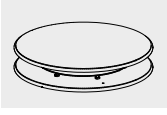
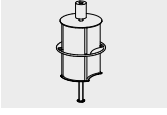
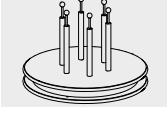
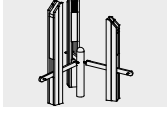
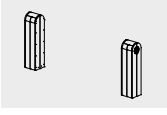

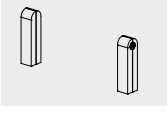


**Examples
for Crossings**

E Sound and Acoustics

Our sound elements produce surprising effects. Players can experience the relationship of cause and effect in an easy way, albeit sometimes with some physical effort. They are rewarded with a sound or an amusing sequence of tones. Some of the sound elements can also be used as eye-catchers to enhance parks and leisure areas because of their outstanding, unique design.

E Sound and Acoustics

Order No. Item	page	Order No. Item	page
			
9.06000 Dance Chimes	497	9.05000 Parabolic Reflectors	511
			
9.02400 Wind Pipes	499	9.05500/9.05510 Instrument	513
			
9.02410 Sound Cushions	501	9.07000 Ferraphone	515
			
9.02420 Musical Path	503	9.08000/9.08500 Kling Klang Disc	517
			
9.02430 Sound Roller	505	9.10010 Street Musicians	519
			
9.02650/9.02652 Sea Roarer	507	9.10020 Mirror Rotunda	521
			
9.02660 Piper	507	9.02500 Wind Pumps	523
			
9.02700/9.02720 Phones of wood	509	9.02510 Bell Tower	525
			
9.02710 Phones of concrete	509		

Function and Play value

The Dance Chimes connect movement with experience of sounds. People of nearly all ages enjoy producing bright tones by hopping, jumping, or even dancing.

Few play items produce so much smiling as this one. Both the spectators and listeners feel a moment of lightness, joy and harmony. The strong motivation produced by the Dance Chimes helps people to overcome physical inhibitions and to harmonise uncoordinated movements. However, even arbitrary hopping produces pleasant sounds which are pentatonic sequences rather than normal tones. Nine brass tiles are arranged in a square with a sound element under each. These are set into vibration by the energy of motion and thus produce ringing tones.

The Dance Chimes are also valuable as therapeutic equipment for people with a variety of functional limitations and they are a very attractive and demanding play offer for young children.

Fundamental characteristics

- unique and original
- high-quality, sturdy construction
- incentive for playing: surprising element on the ground, curiosity
- movement: jumping, hopping, dancing

Suitable

- for people from 4 years
- for leisure areas and pedestrian zones
- public places
- daycare facilities for children
- institutions for people with special needs
- school playgrounds



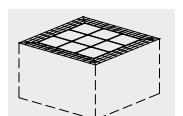
Dance Chimes



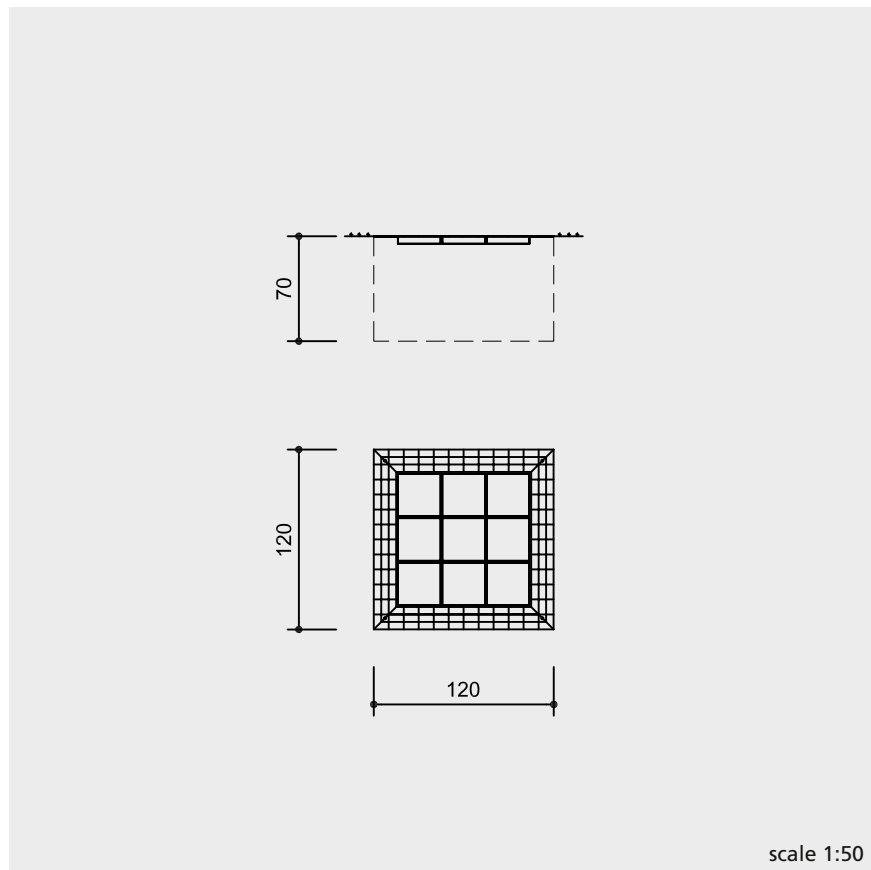
Barrier-free

- independent play

Acoustic effect	medium / tubular bells
Vandalism	not vulnerable



9.06000



Safety check according to EN 1176

Components

1 Dance Chimes unit completely mounted in a corrosion protected steel housing, with 9 sound elements, pentatonically tuned and tiles of brass with sensitive hammer mechanism

additionally with locking device see **Order no. 9.06100** in the price list

Installation information

- Surfacing requirements
- firm ground, asphalt, concrete, paving or slabs
 - the housing is lowered into the ground so that the brass tiles are level with the surrounding surface
 - to prevent spontaneous resonance, any hollow areas around the housing should be filled with sand

A foundation ist not necessarily required. Ground which is able to take a load and which is well compressed covered with gravel or a blinding layer is sufficient.

Excavation:
 pit 1.40 x 1.40 m
 at least 0.70 m deep
 with drainage

Attention:
Exact measurements may vary, for all installation dimensions refer to current installation instructions.
 Technical changes reserved.

Technical information

We are continuously asked if the price demanded for this equipment is not a little high. Consequently, we feel obliged to explain the sales price of this equipment. Its price is calculated no differently to any of our others. Even careful re-calculation has revealed no undue costs. All who see the high quality material, the complicated mechanism, and the clean finish understand the real value of the equipment. In your interests, its price-value relationship has been double checked and we can therefore say with a clear conscience that the Dance Chimes are worth the money.

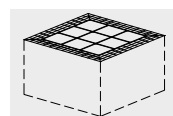
In order for play, dance and music to form an inseparable, mutually reinforcing entity, the following and further mechanical aspects are necessary, to guarantee problem-free operation:

- sophisticated bearings
- precise movement, which guarantees parallel movement and thus prevents any slippage
- return mechanism which presses the foot plate into its original position
- buffers which prevent metal-on-metal contact
- pentatonically-tuned tone elements which always produce a harmonious sound
- the high-quality brass foot plates which become more attractive the more they are used
- the hot-dip galvanised housing which protects the various tone elements.

Dimensions

(small deviations possible)

length	1.20 m
width	1.20 m
height	0.70 m
weight	450 kg



9.06000



Function and Play value

The Wind Pipes are a simple sound equipment which enables the person „playing them“ to experience physically the relation of cause and effect. The three, ground level integrated see-saw beams can be moved independently from each other. Due to the movement of the beams, the air pressure which is required for playing the pipes is produced. By means of shifting the weight or moving from one beam to the other, different simple sequences of notes are produced. Six different notes are possible. Children enjoy very much making „music“ with the whole body or producing „beautiful“ (dreadful) sequences of notes by using the see-saw effect of the beams.

Fundamental characteristics

- unique and original
- combination of see-sawing and experience of sound
- incentive for playing: surprising element on the ground
- movement: shifting one’s weight

Suitable

- for all age groups
- public playgrounds
- daycare facilities for children
- institutions for people with special needs
- pedestrian areas
- parks
- leisure areas

Barrier-free

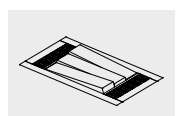
- with a carer



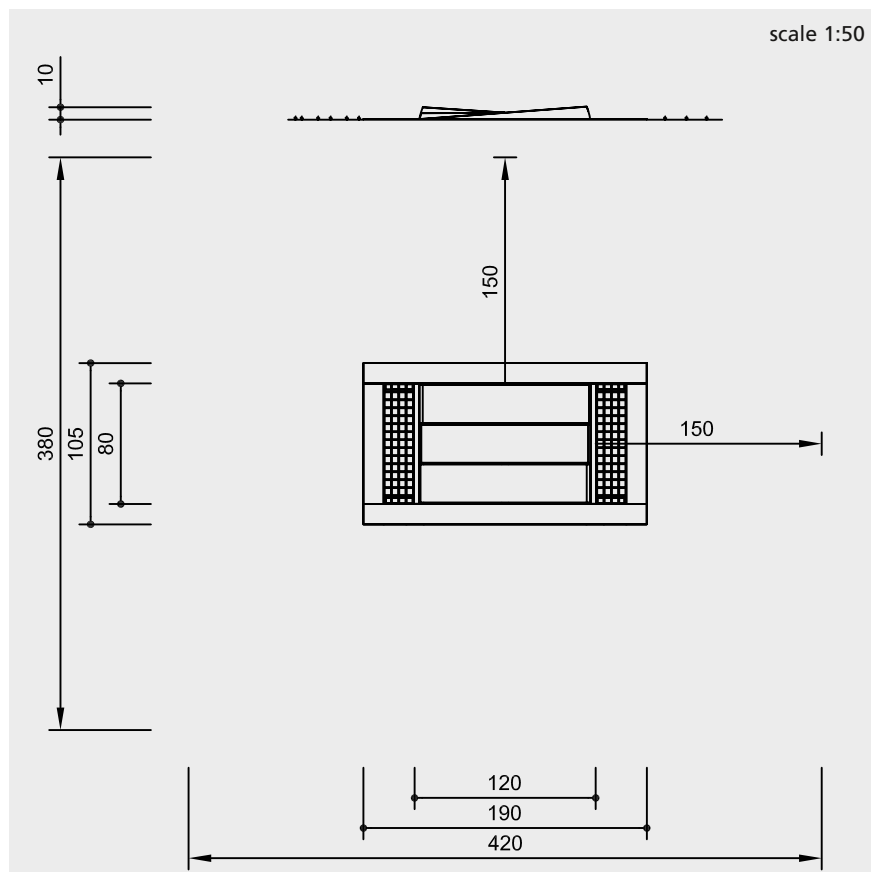
Wind Pipes



Acoustic effect	medium / pipes
Vandalism	not vulnerable



9.02400



Safety check according to EN 1176

Components

1 complete equipment with 3 see-saw beams and 6 piston pumps with musical pipes

Installation information

Surfacing requirements corresponding to a fall height of $\leq 0,60$ m (please refer to price list for more detailed information)

Foundations

Excavation: 125 x 220 x 63 cm
1 box foundation 125 x 220 x 50 cm with a wall thickness of 30 cm on the short side and 20 cm on the long side

Attention:

Exact measurements may vary, for all installation dimensions refer to current installation instructions.

Technical changes reserved.

Technical information

equipment of non-impregnated mountain larch

core-free timber

sawn timbers core-free, by that formation of cracks can be reduced



brass bush

for all to and fro movements we use bush bearings which allow for self-lubrication while in use and which can be easily exchanged in case of need



ground anchor

all parts used for anchoring to the ground made of hot-dip galvanised steel



piston pumps with pipes mounted under the see-saw beam

pipes are tuned to the pentatonic scale

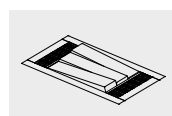
ventilation from hot-dip galvanised grille

Dimensions

(small deviations possible)

length	1.90 m
width	1.05 m
see-saw beams	10/26 cm
weight	180 kg

For more detailed explanation of the quality characteristics see price list.



9.02400

Function and Play value

The Sound Cushions provide an attractive activity for nearly all ages. Tones are produced by hopping on, or running over the cushions. Surprising tone sequences are produced, interrupted by amusing squeaks. This is a game for children and adults. As installation takes place using ground anchors rather than foundations, the tones can be changed at any time. New sequences of movement are then required together with new tones and noises.



Copyright © Richter Spielgeräte GmbH 10/15

Design Dorband/Thiele

Fundamental characteristics

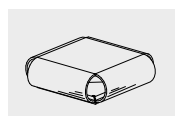
- incentive for playing: „funny“ cushions on the ground, curiosity
- movement: jumping, hopping, running

Suitable

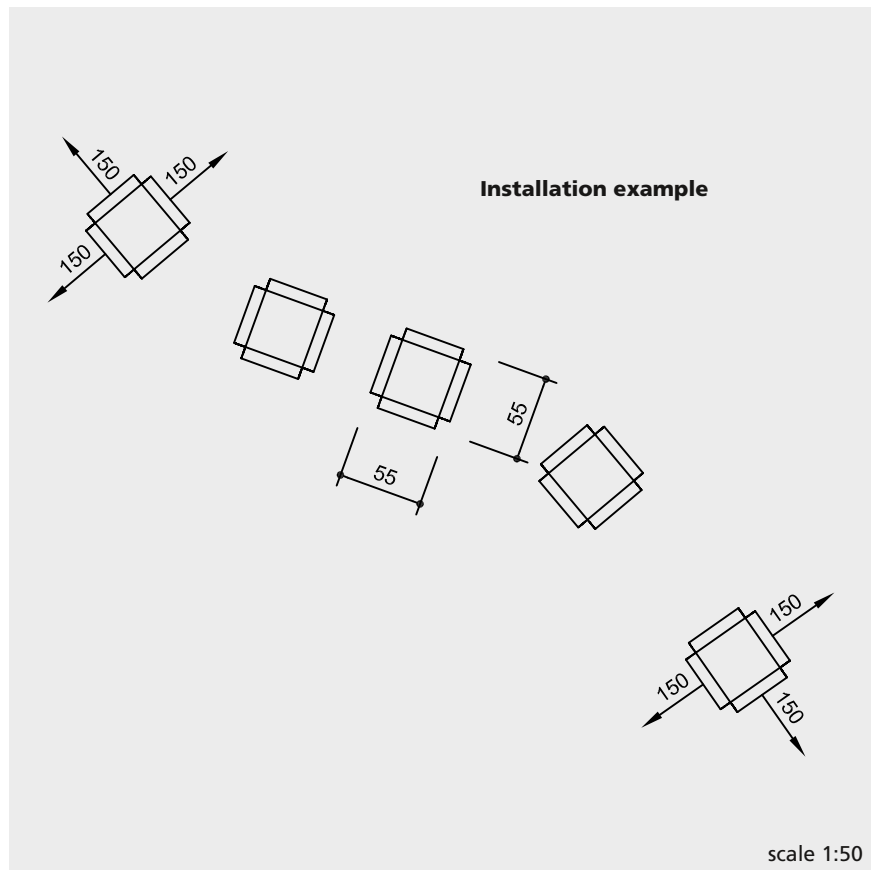
- for children from 4 years
- only in supervised play areas of: daycare facilities for children, nurseries, schools

Sound Cushions

Acoustic effect	medium / pipes
Vandalism	slightly delicate



9.02410



Safety check according to EN 1176

Technical information

Hopping surface of textile-reinforced rubber belt, thickness 8 mm, PAH-free

air spring with pipe, for installation in groups pentatonically tuned

ground plate and foundation irons hot-dip galvanised



Dimensions

(small deviations possible)

height	0.15 m
length	0.55 m
width	0.55 m
weight	25 kg

Components

- 1 hopper
- 2 foundation irons

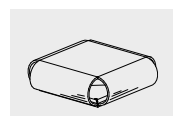
Installation information

Surfacing requirements corresponding to a fall height of $\leq 0,60$ m (please refer to price list for more detailed information)

Foundations excavation per item approx. 60 x 20 cm, 40 cm deep (only necessary to immobilise the equipment)

Attention:
Exact measurements may vary, for all installation dimensions refer to current installation instructions.

Technical changes reserved.



9.02410

Function and Play value

A rubber belt runs over three movable transverse timbers and is fixed in the ground at either end. The movements and loads created by running and jumping on the bridge are distributed from one section to another and influence each other. The combination of movements promote cooperative play and always has a surprise in store when running and jumping. Additional interest is provided by bells mounted under the transverse beams, which acoustically accompany movement.



Fundamental characteristics

- walking over a movable surface, combined with experience of sound
- incentive for playing: unusual surface
- movement: jumping, hopping, running

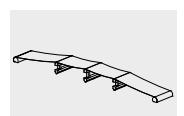
Suitable

- for all age groups
- for playgrounds
- school playgrounds
- nurseries
- parks

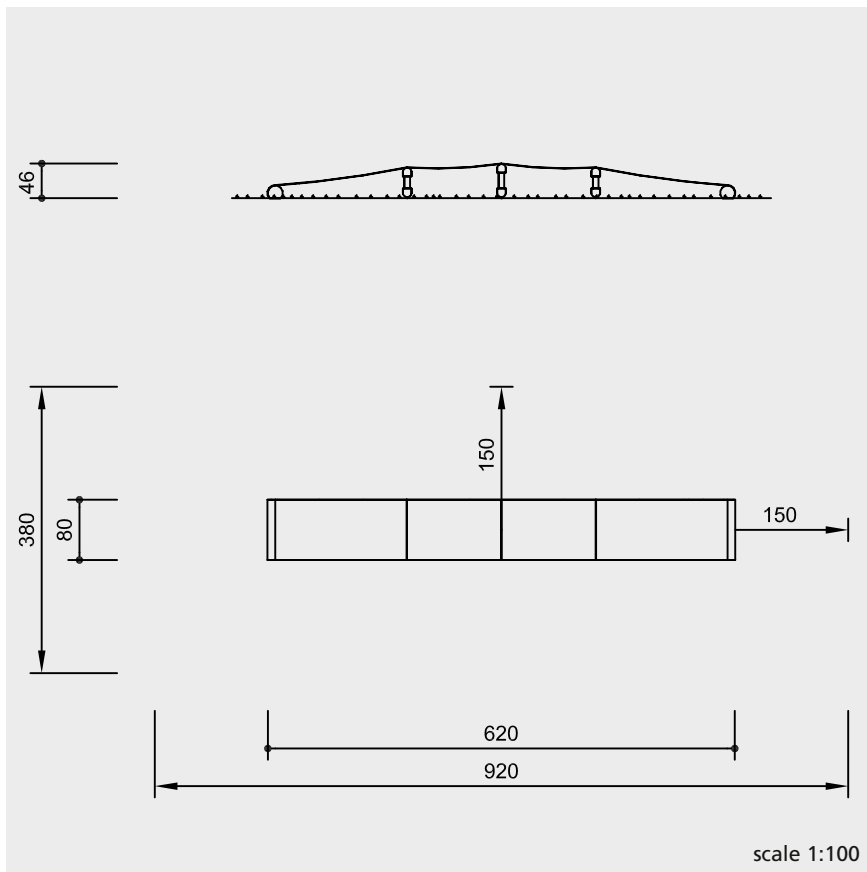


Musical Path

Acoustic effect	soft / bells
Vandalism	not vulnerable



9.02420



Safety check according to EN 1176

Components

- 1 steel-reinforced rubber belt with anchors
- 3 movable supports with 6 bells

Equipment also available with textile-reinforced rubber belt (see **Order No. 9.02440** in the price list)

Installation information

Surfacing requirements corresponding to a fall height of $\leq 0,60$ m (please refer to price list for more detailed information)

- Foundations
- 3 items 40 x 120 x 30 cm excavation depth 50 cm
 - 2 items 60 x 120 x 60 cm excavation depth 80 cm

Attention:
Exact measurements may vary, for all installation dimensions refer to current installation instructions.
 Technical changes reserved.

Technical information

wooden parts of non-impregnated mountain larch and oak heartwood

de-barked timbers
 round timbers de-barked



core-free timber
 sawn timbers core-free, by that formation of cracks can be reduced



steel reinforced rubber belt
 two way steel armoured rubber belt, almost indestructible, total thickness approx. 11 mm, PAH-free



ground anchor
 all parts used for anchoring to the ground made of hot-dip galvanised steel

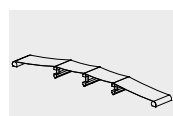


bells made of brass

Dimensions
 (small deviations possible)

height	0.46 m
length	6.20 m
width	0.80 m
weight	300 kg

For more detailed explanation of the quality characteristics see price list.



9.02420



Function and Play value

By turning the individual rollers, different sounds are generated. Participants can balance by standing on the rollers or sit on the ropes pushing the rollers with their feet. Sounds are generated in a playful way on the sound roller while sense of balance is improved.

Fundamental characteristics

- experience of sound for sensitive perception
- incentive for playing: rollers, holding ropes
- movement: movement of feet, holding on, hanging

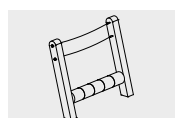
Suitable

- for children from 6 years
- for public playgrounds
- school playgrounds
- children's homes
- day centres
- leisure areas

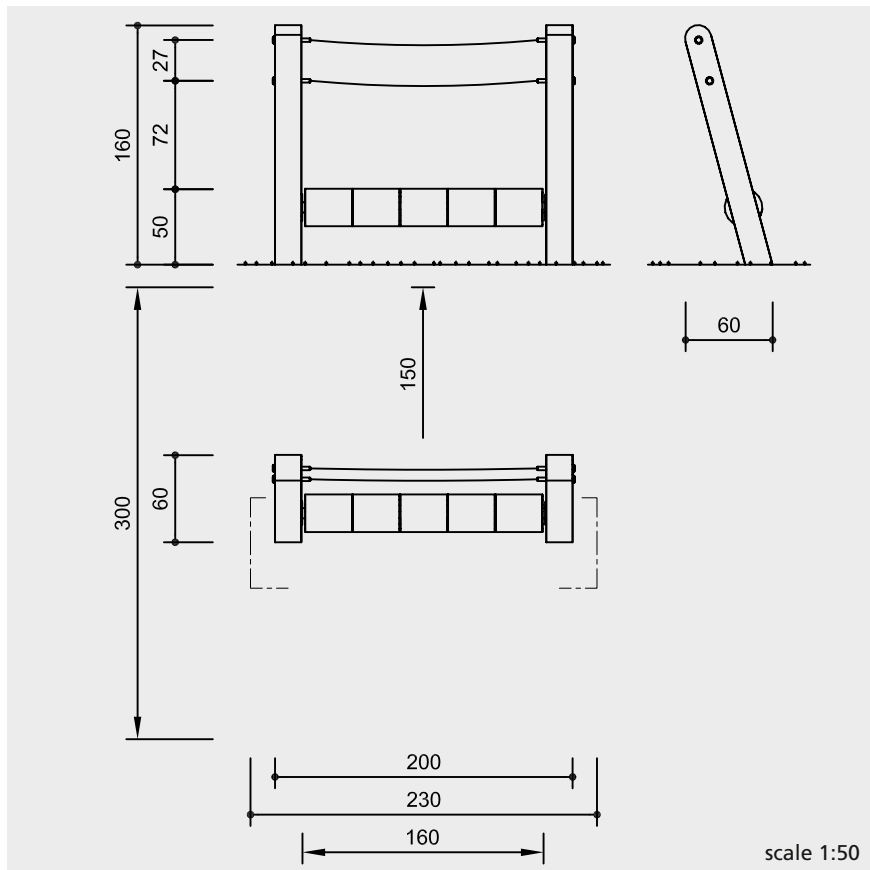
Sound Roller



Acoustic effect	soft clanging
Vandalism	not vulnerable



9.02430



Safety check according to EN 1176

Components

2 support posts with 2 ropes
1 axle with 5 rollers on bearings

Installation information

Surfacing requirements corresponding to a fall height $\leq 0,60$ m (please refer to price list for more detailed information)

Foundations
2 items 60 x 60 x 60 cm
excavation depth 80 cm

Attention:
Exact measurements may vary, for all installation dimensions refer to current installation instructions.
Technical changes reserved.
Equipment also available with steel feet.

Technical information

support posts of non-impregnated mountain larch 18/18 cm

core-free timber
core-free, by that formation of cracks can be reduced



Corocord® rope
special ropes of "Hercules type"
holding ropes of Corocord® rope of the special "Hercules type", abrasion protected through heating of the six steel strands and melting the polyamide sleeve onto them, standard colour red



aluminium swages
double-conical aluminium swages with rounded-off ends



rope connection fixed
close fitting connection without dangerous openings



concealed head bolts
large surface for pressure distribution, prevents water from getting inside, protects the bolt head



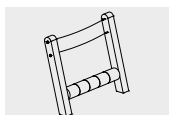
brass bush
hot-dip galvanised rollers with integrated brass sound elements housed on brass bushes; for all to and fro movements we use bush bearings which allow for self-lubrication while in use and which can be easily exchanged in case of need



Dimensions
(small deviations possible)

height	1.60 m
length	2.00 m
depth	0.60 m
weight	250 kg

For more detailed explanation of the quality characteristics see price list.



9.02430

Function and Play value

The play possibilities of Sea Roarer are not apparent until the user steps onto the stainless steel platform and discovers the pivotally rotating movements it allows. These movements are fun, and increased play value is achieved when users interact with each other. Gradually the players become conscious of a special sound. Concentration turns more and more to listening and exploring how the movement controls the sound – they discover the roar of the sea. Below the surface are many little balls, which move when the position of the standing plate is changed. The balls roll over a membrane producing a sound which is similar to that of the sea rolling in and out of the shore. The senses of balance and hearing are both challenged and stimulated, heightening the awareness of the senses through play activity. Our Piper lets you experience another exciting acoustic phenomenon. Two sound tubes together make up a set. One serves as a pump while the other determines the pitch of the tone. The movable metal rod is used to draw air upwards into the sound element and to push it downwards. The second sound element then simultaneously generates a piping sound. Different chord progressions can be generated depending on the speed of the pump and how the tone pitch is controlled.

Fundamental characteristics

- unique and original
- high-quality design appeals to the senses, incentive for playing: appealing design, curiosity
- exercise activity: balancing, experiencing one's whole body

Suitable

- for children from 6 years of age
- for public playgrounds, leisure areas, day-care centres, children's homes, play areas for people with special needs



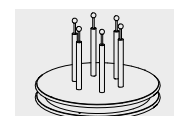
Order No 9.02660 Piper

Barrier-free

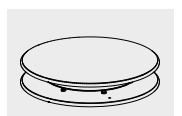
- special exercise experience
- independend play (piper)

Sea Roarer
Sea Roarer free-standing Piper

Acoustic effect	very soft to very loud depending on usage
Vandalism	not vulnerable

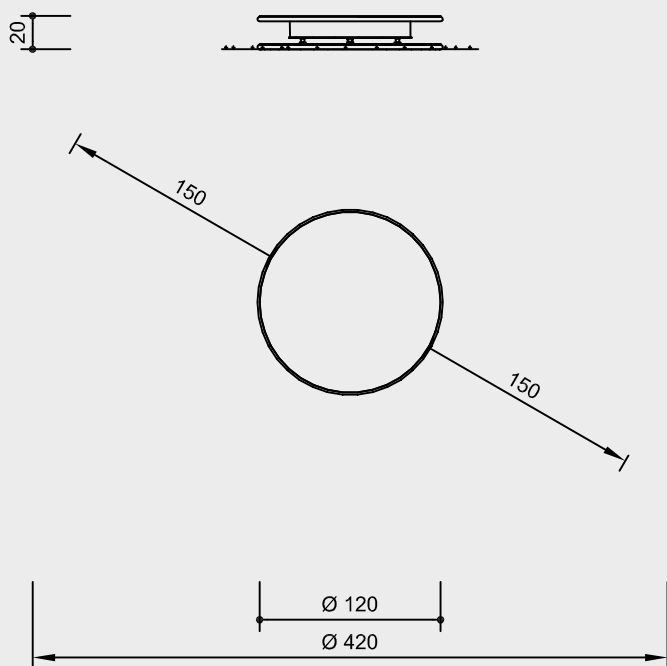


9.02660

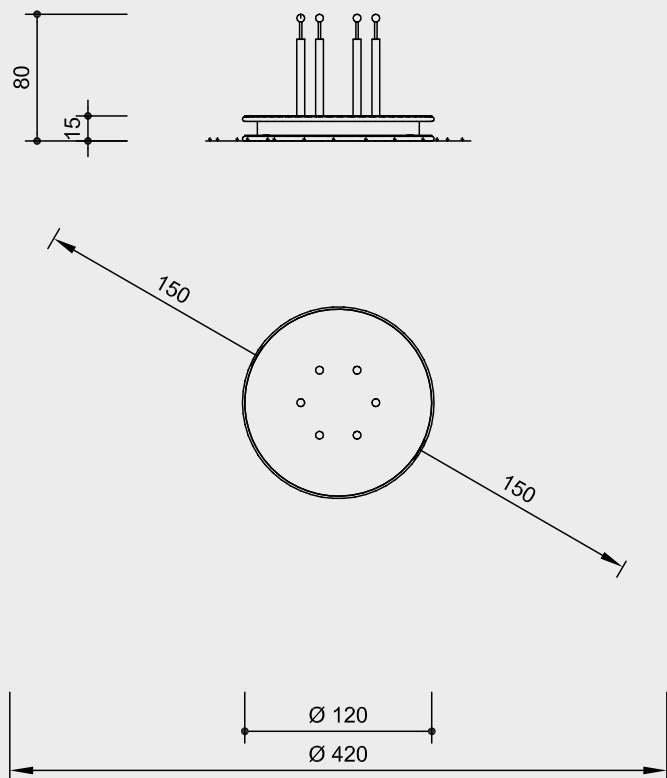


9.02650/9.02652

**9.02650/9.02652
Sea Roarer**

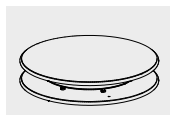


**Order No 9.02660
Piper**

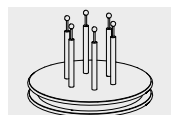


scale 1:50

safety check according to EN 1176



9.02650/9.02652



9.02660

Technical information

equipment entirely of stainless steel,
glass bead blasted, with sound elements

ground anchor

all parts used for anchoring to the
ground made of hot-dip galvanised
steel



Order No 9.02652

Sea Roarer free-standing

rubber buffer of hard rubber
abrasion-resistant

Order No 9.02660

Piper

pipes of phenolic resin,
different colour pairs

Dimensions

(small deviations possible)

9.02650/9.02652

Sea Roarer

height	0.20 m
diameter	1.20 m
weight	70 kg

Order No 9.02660

Piper

height	0.20 m
height incl. pipes	0.80 m
diameter	1.20 m
weight	70 kg

Components

Order No 9.02650

Sea Roarer

1 piece of equipment
3 foundation irons

Order No 9.02652

Sea Roarer free-standing

1 piece of equipment
3 rubber buffers

Order No 9.02660

Piper

1 piece of equipment
3 foundation irons

Installation information

Surfacing requirements
corresponding to a fall height of ≤ 0.60 m
(please refer to price list for more
detailed information)

Foundations

Order No. 9.02650/9.02660

3 items 40 x 40 x 35 cm
excavation depth 40 cm

Attention:

**Exact measurements may vary; for
all installation dimensions refer to
current assembly instructions.**

Technical changes reserved.



Order No. 9.02710 Phones in Concrete

Function and Play value

The Phones are an attractive play item which confront people with the physical phenomena of sound waves and sound wave transmission during play. Children are fascinated when they can actually hear the voice of their play partner clearly at a distance of approximately 15 m. This telephone can also be incorporated in role play and becomes particularly interesting when bushes or trees obscure the view to give an illusion of a big distance to be bridged.

Fundamental characteristics

- agreeable design
- enables communication over a big distance
- movement: bending, stretching

Suitable

- for people from 4 years
- for public playgrounds
- daycare facilities for children
- schools
- pedestrian areas
- institutions for people with special needs

Barrier-free

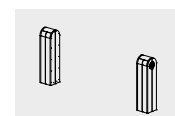
- independent play



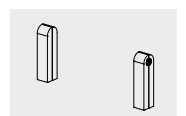
Phones in Wood
Phones in Concrete



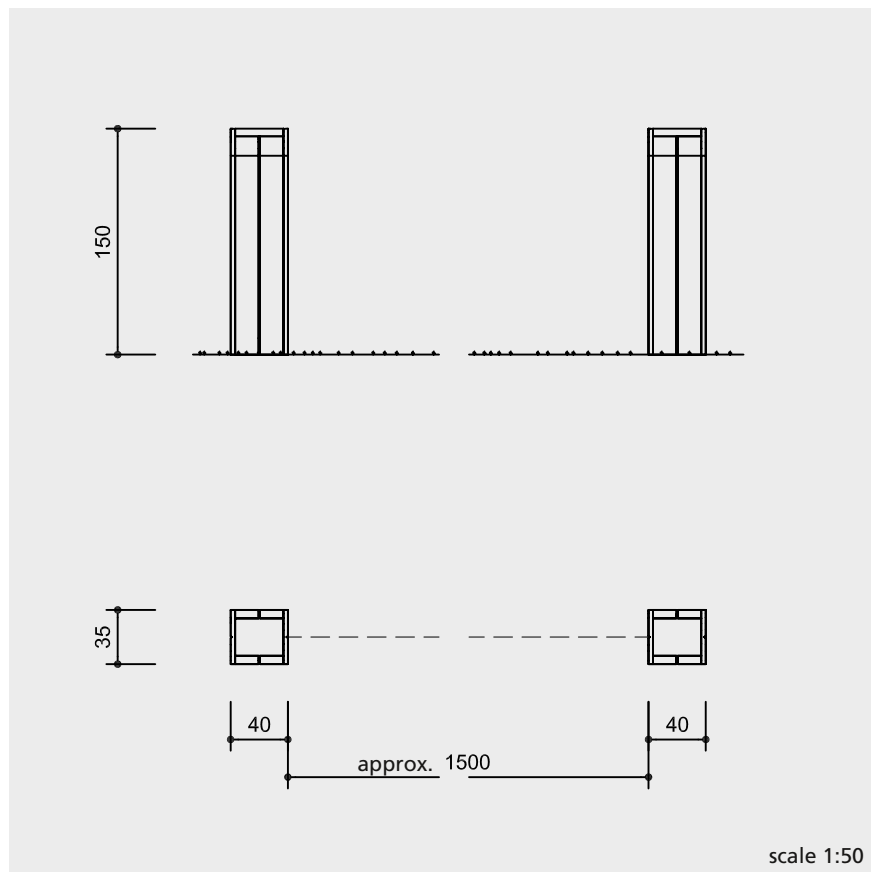
Acoustic effect	soft
Vandalism	not vulnerable



9.02700



9.02710



Safety check according to EN 1176

Components

- 2 phones
- 20 m plastic pipe and accessories
- 2 foundation frames

Phones in Wood for nurseries see **Order No. 9.02720** in the price list.

Installation information

Surfacing requirements
no requirements

Foundations

wooden columns

2 items 60 x 60 x 35 cm
excavation depth 40 cm

concrete columns

no foundation work necessary
excavation 60 x 55 x 40 cm
A well-compacted soil with good carrying capacity is required, if necessary use gravel or, respectively, a blinding layer.

groundwork necessary for connection pipe

The distance between the two phones should be approx. 15 m, max. 17 m.

Attention:

Exact measurements may vary, for all installation dimensions refer to current installation instructions.

Technical changes reserved.

Technical information

**Order No. 9.02700
Phones in Wood**

core-free timber

sawn timbers of non-impregnated mountain larch, core-free, by that formation of cracks can be reduced



ground anchor

all parts used for anchoring to the ground made of hot-dip galvanised steel



mouthpieces closed with communication grille of stainless steel, connected with plastic pipes

**Order No. 9.02710
Phones in Concrete**

each column is cast as 1 part of vibrated concrete C 30/37

mouthpieces closed with communication grille of stainless steel, connected with plastic pipes

Dimensions

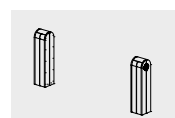
(small deviations possible)

height	1.50 m
width	0.35 m
depth	0.40 m
weight	

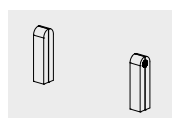
Order No. 9.02700 150 kg

Order No. 9.02710 720 kg

For more detailed explanation of the quality characteristics see price list.



9.02700



9.02710

Function and Play value

Sound, like light and heat, can be made to focus. What is spoken at normal volume into the focal point of the reflector can be picked up in a second reflector placed opposite about 30 to 40 m away, as well as at all points between the two reflectors. Sound waves, like light and heat waves, can be concentrated onto one particular spot. The Parabolic Reflector provides experience of physical phenomena.

Fundamental characteristics

- incentive for playing: large reflectors
- movement: listening

Suitable

- for people from 6 years
- public playgrounds
for leisure areas and pedestrian zones
- school playgrounds

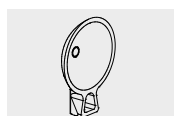
Barrier-free

- independent play

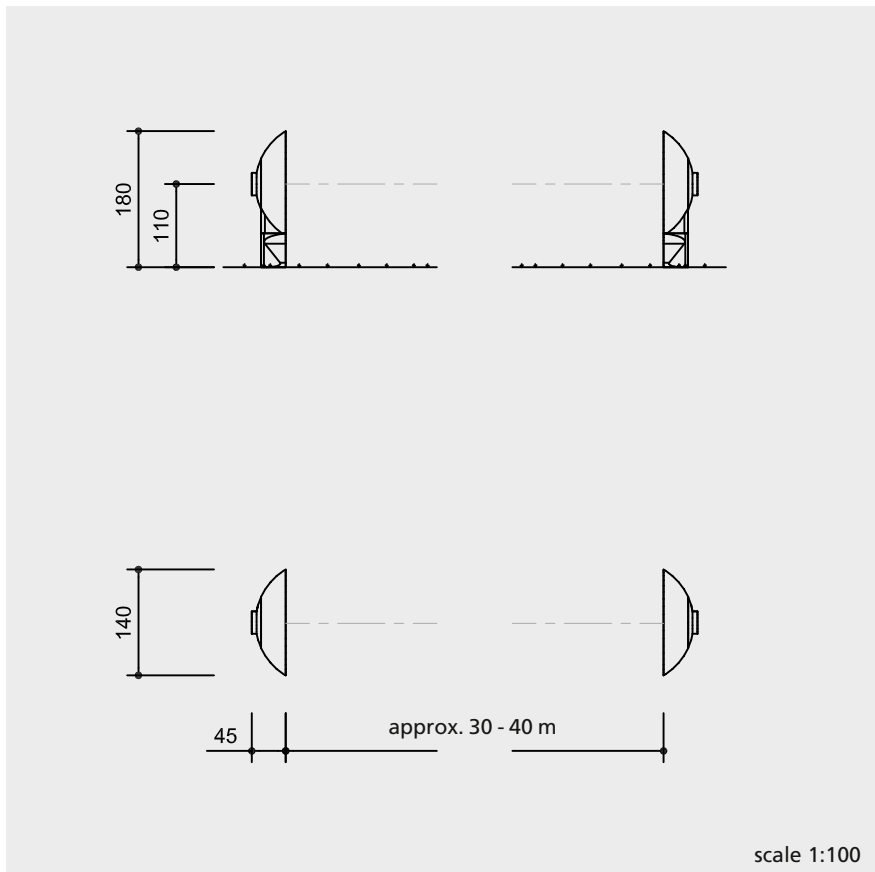


Parabolic Reflectors

Acoustic effect	soft
Vandalism	not vulnerable



9.05000



Technical information

each reflector is cast as 1 part of vibrated concrete C 30/37, steel-reinforced

ground anchor

all parts used for anchoring to the ground made of hot-dip galvanised steel



Dimensions

(small deviations possible)

height	1.80 m
diameter	1.40 m
weight per reflector	300 kg

Safety check according to EN 1176

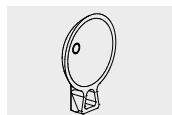
Components

- 2 concrete Parabolic Reflectors with stand feet
- 2 pylon frames
- 2 foundation irons

Installation information

- Surfacing requirements
no requirements
- Foundations
each item 50 x 50 x 80 cm
excavation depth 80 cm
optical measurement with levelling instrument recommended

Attention:
Exact measurements may vary, for all installation dimensions refer to current installation instructions.
Technical changes reserved.



9.05000

Play value

This special instrument invites people to make music by playing the keys. It is available in two versions: The diatonic version is better suited to playing known melodies, while the pentatonic version is a motivation for free improvisation. This attractive play equipment is an appealing enhancement for any park and can serve as the exciting central feature of a play space.

Fundamental characteristics

- unique and original
- incentive for playing: curiosity, percussion keys, sound elements
- experiencing sound, making music

Suitable

- for all age groups
- for leisure areas
- pedestrian areas
- for public places
- play areas for people with special needs
- school playgrounds

Barrier-free

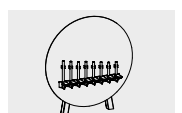
- independent play



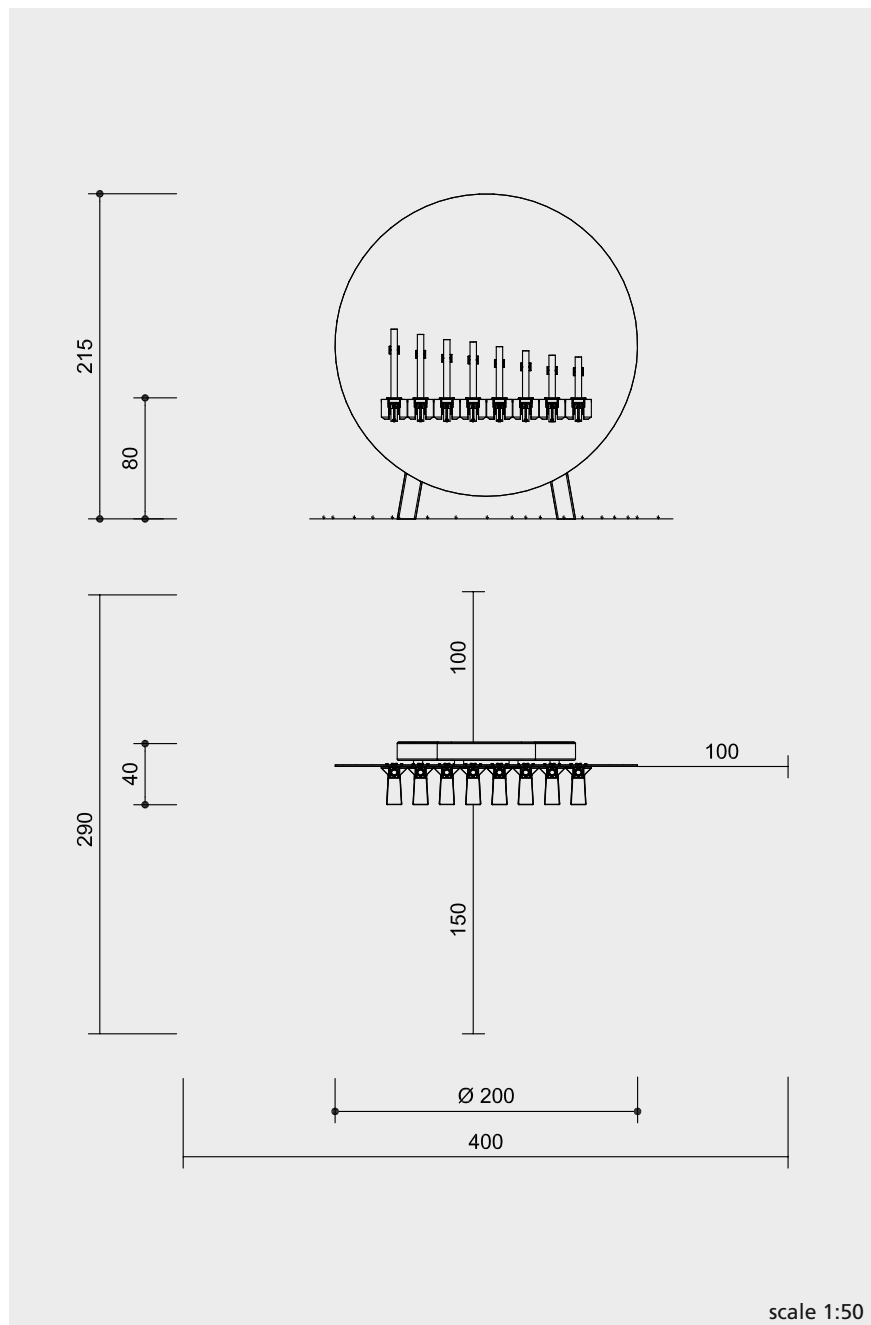
INSTRUMENT FOR All, Patents, Design and Copyright © 2014 Alfons van Leggelo, US 8,878,037 B2

Instrument for All

Acoustic effect	medium
Vandalism	slightly vulnerable



9.05500/9.05510



Technical information

equipment made of stainless steel, grinded

sound tubes of hot-dip galvanised, weldless steel, mounted in stainless steel profiles

The percussion mechanism is damped by robust rubber buffers.

percussion keys made of anodised aluminium

Dimensions

(small deviations possible)

height	2.15 m
diameter	2.00 m
width	0.40 m
weight	450 kg

safety check according to EN 1176

Components

- 1 disc
- 1 frame

Order No. 9.05500
tuned to the pentatonic scale

Order No. 9.05510
tuned to the diatonic scale

Also available for wall attachment.

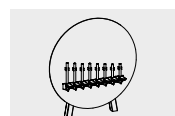
Installation information

Surfacing requirements
no requirements

Foundations
2 items 50 x 50 x 50 cm
excavation depth 70 cm

Attention:
Exact measurements may vary; for all installation dimensions refer to current assembly instructions.

Technical changes reserved.



9.05500/9.05510

Function and Play value

Stainless steel sheets are curved into a U-shape and then welded in this shape to a hollow tube, which serves as a resonator. The equipment is tuned to the diatonic scale. When the U-shaped steel sheets are hit with a beater, a warm lively sound is created. The resonator is not just open at the top of the hollow tube but also at the bottom. If this opening is closed off with the hand, the sound volume can be increased or decreased and the resonance of the sound in the air can be experienced. This tuning makes it possible for everybody to immediately create pleasant sounds, without any disharmony.



Fundamental characteristics

- unique and original
- exclusive design
- incentive for playing: form, beater

Suitable

- for people from 4 years
- daycare facilities for children
- parks and leisure areas

Barrier-free

- independent play

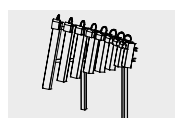


Photos by Mary Noble Ours

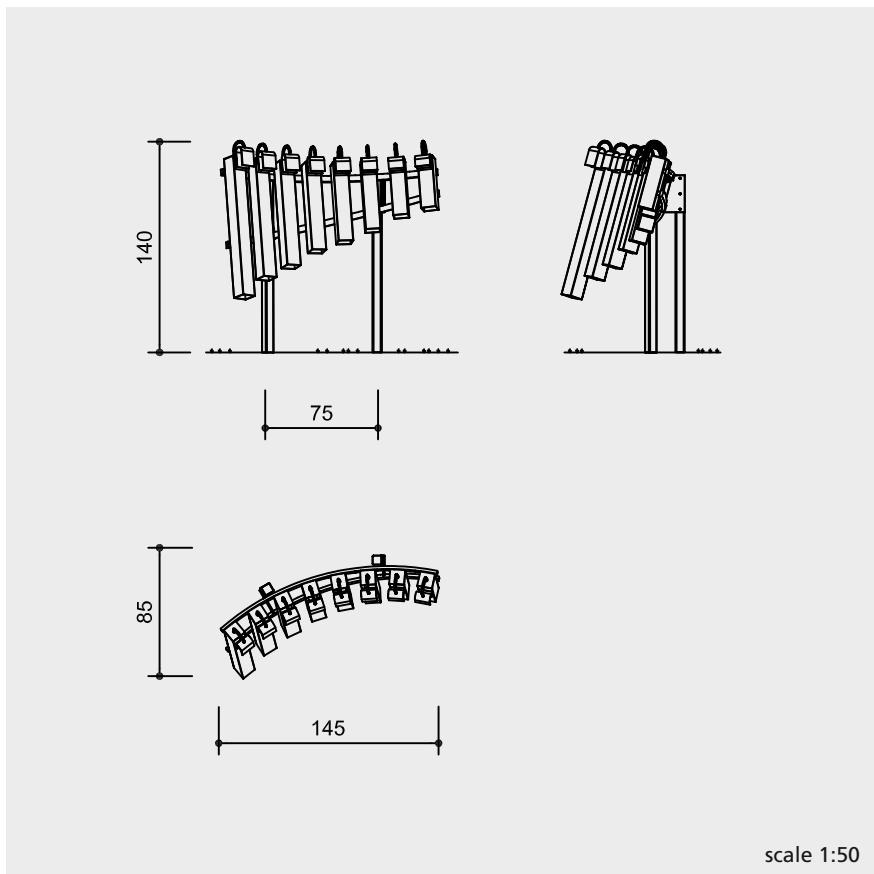
Ferraphone



Acoustic effect	soft
Vandalism	not vulnerable



9.07000



Technical information

equipment made of stainless steel,
glass bead blasted

beater with rubber head, suspension
made of stainless steel cable

Dimensions

(small deviations possible)

height	1.40 m
width	1.45 m
depth	0.85 m
weight	85 kg

scale 1:50

safety check according to EN 1176

Components

1 ferraphone with 2 beaters

Installation information

Surfacing requirements
no requirements

Foundations
1 item 120 x 50 x 30 cm
excavation depth 50 cm
for fixation with bolts

Attention:
**Exact measurements may vary, for
all installation dimensions refer to
current installation instructions.**
Technical changes reserved.



9.07000



Function and Play value

The Kling Klang Disc is a play offer for people of all age groups. By turning of the disc, the spheres start moving and touch the obstacles inside, thus producing an amiable kling klang sound. It is not only fun to discover the different nuances of sound, but also to observe the way of the rolling spheres. The Kling Klang Disc is available for wall attachment or with support post.

Fundamental characteristics

- unique and original
- amiable design
- visual and aural experience
- incentive for playing: turning disc, spheres, curiosity
- experience: sounds, cause and effect

Suitable

- for people from 4 years
- for public playgrounds
- pedestrian zones
- institutions for people with special needs
- homes for the aged
- entrance areas of public buildings
- alongside paths in parks
- in waiting areas of stations, bus stations etc.

Barrier-free

- independent play

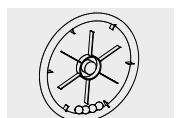


The pictures show Order No. 9.08500 with support post

**Kling Klang Disc for wall attachment
Kling Klang Disc with support post**

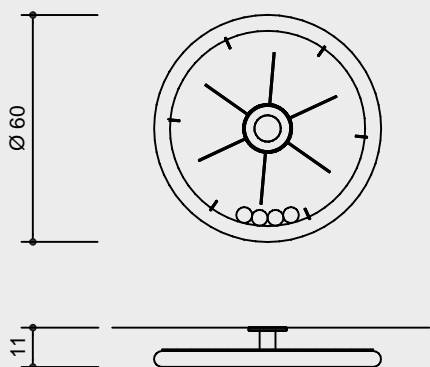


Acoustic effect	soft
Vandalism	not vulnerable

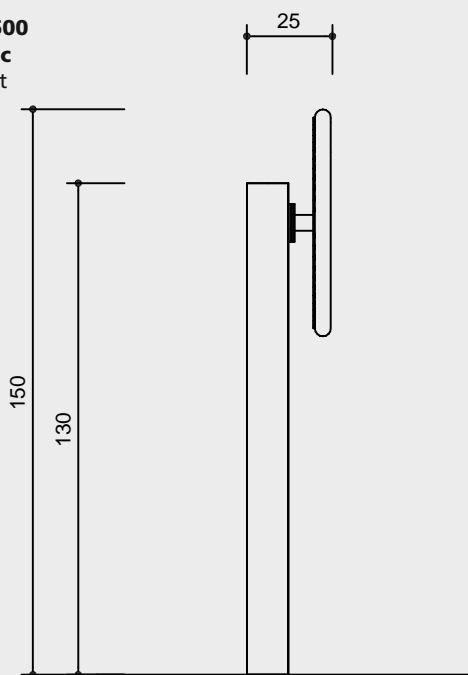


9.08000/9.08500

Order No. 9.08000 Kling Klang Disc
for wall attachment



Order No. 9.08500 Kling Klang Disc
with support post



Maßstab 1:20

Safety check according to EN 1176

Components

Order No. 9.08000 Kling Klang Disc
for wall attachment
1 Kling Klang Disc

Order No. 9.08500 Kling Klang Disc
with support post
1 Kling Klang Disc
1 support post

Installation information

Recommended space
diameter 1.50 m

Foundations

Order No. 9.08500 Kling Klang Disc
with support post
1 item 50 x 50 x 40 cm
excavation depth 60 cm

Attention:

Exact measurements may vary, for all installation dimensions refer to current installation instructions.

Technical changes reserved.

Technical information

Sound disc of stainless steel, glass bead blasted

ball bearing

low-maintenance ball bearings



transparent cover disc of Makrolon

spheres of hard plastic

support post of **Order No. 9.08500**
of stainless steel, glass bead blasted

Dimensions

(small deviations possible)

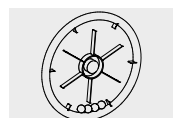
Order No. 9.08000

diameter	0.60 m
depth	0.11 m
weight	30 kg

Order No. 9.08500

diameter	0.60 m
depth	0.25 m
height of support post	1.30 m
weight	100 kg

Weitere Erläuterungen zu den Qualitätsmerkmalen siehe Preisliste.



9.08000/9.08500

Function and Play value

The installation „Street Musicians“ is of a high artistic effect and gives a special accent to public places and play areas. The triangular figures are made of stainless steel, have a coloured small head and can be turned around their middle axis. By turning the body, the user creates a pleasant, bell-like sound. When several „Musicians“ are installed next to each other, new spaces can be created again and again, and interesting views are produced. The rotating bodies make different sounds so that an unusual harmony is created when several are „played“ together.



Copyright © Richter Spielgeräte GmbH 10/15

Design B. Poth-Lengefeld

Fundamental characteristics

- unique and original
- exclusive design
- due to the triangular shape, players of every age can „embrace“ the musicians
- incentive for playing: shape, coloured head, curiosity
- movement: holding on, setting in motion

Suitable

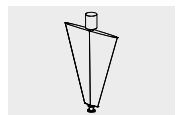
- for people from 4 years
- public places
- leisure areas
- pedestrian zones

Barrier-free

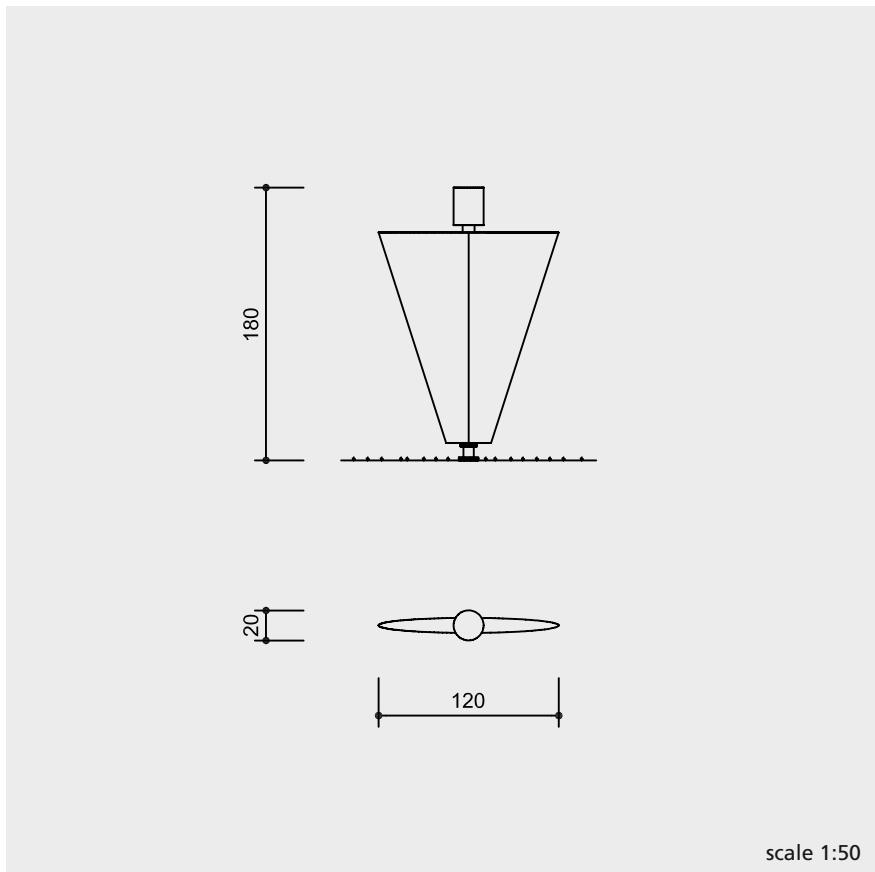
- independent play

Acoustic effect	medium
Vandalism	not vulnerable

Street Musicians



9.10010



Safety check according to EN 1176

Technical information

body of stainless steel, with rotating bearings

sound elements of groups are tuned and painted in different colours

brass bush
for all to and fro movements we use bush bearings which allow for self-lubrication while in use and which can be easily exchanged in case of need



ground anchor
all parts used for anchoring to the ground made of hot-dip galvanised steel



Dimensions
(small deviations possible)

height	1.80 m
width	1.20 m
depth	0.20 m
weight	100 kg

For more detailed explanation of the quality characteristics see price list.

Components

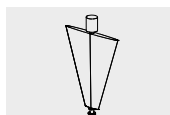
- 1 Street Musician with coloured head
- 1 tube to be set into concrete

Installation information

Surfacing requirements
no requirements

Foundations
1 item 60 x 60 x 60 cm
excavation depth 80 cm

Attention:
Exact measurements may vary, for all installation dimensions refer to current installation instructions.
Technical changes reserved.



9.10010



Function and Play value

To see oneself in a mirror, to discover changes, to experience a mirror world. To exert oneself while turning the rotunda and to be rewarded with the sound of the bell. The Mirror Rotunda represents a concentrated address of the senses and is interesting for grown-ups as well as for children. In pedestrian zones, it is a welcome change to the commercial activities. It gives a particular accent to large places or squares, particularly when several rotundas are grouped together. In front of public buildings, especially of modern architecture, it emphasises through play the significance of the location due to its impressive appearance.

The Mirror Rotunda is available with or without sound effect.

Fundamental characteristics

- unique and original
- surprising reflections, address of the senses
- incentive for playing: reflection, coloured head
- movement: setting the rotunda in motion, turning oneself

Suitable

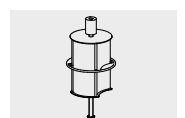
- for people from 4 years
- for pedestrian zones
- public places
- entrance halls of public buildings
- alongside paths



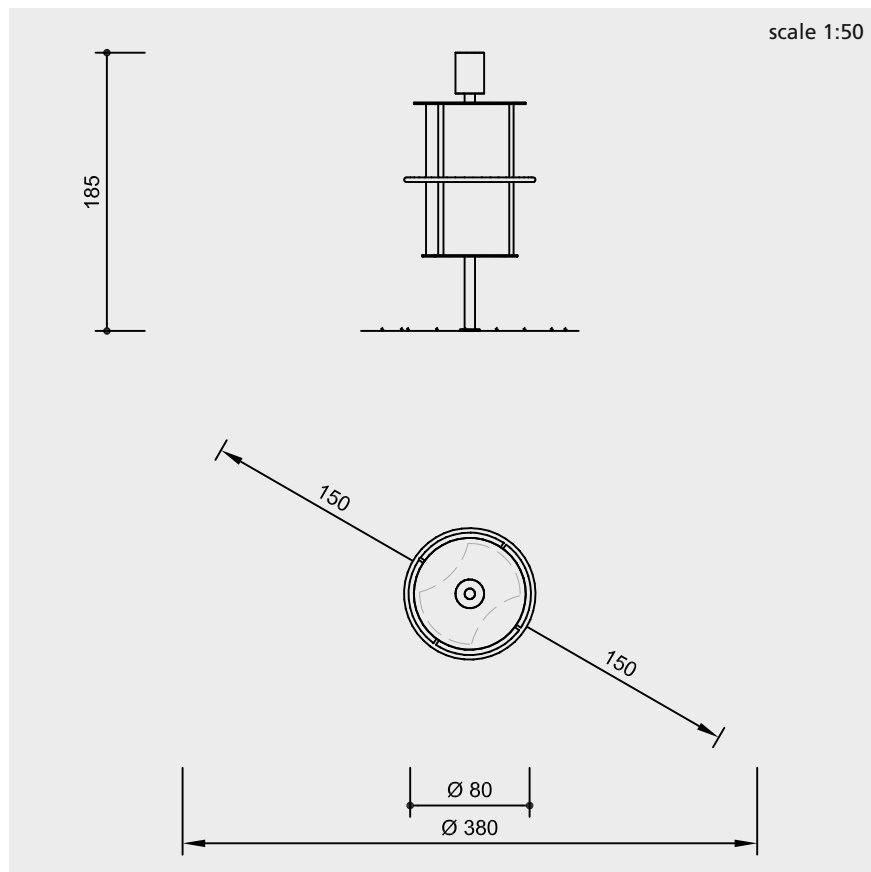
Mirror Rotunda



Acoustic effect	medium
Vandalism	not vulnerable



9.10020



Safety check according to EN 1176

Components

- 1 Mirror Rotunda
- 1 tube to be set into concrete

Installation information

Surfacing requirements corresponding to a fall height of $\leq 0,60$ m (please refer to price list for more detailed information)

Foundations
1 item 60 x 60 x 60 cm
excavation depth 80 cm

Attention:
Exact measurements may vary, for all installation dimensions refer to current installation instructions.
Technical changes reserved.

Technical information

equipment of stainless steel, glass bead blasted, with built-in concave and convex mirrors of stainless metal sheeting

brass bush

for all to and fro movements we use bush bearings which allow for self-lubrication while in use and which can be easily exchanged in case of need



ground anchor

all parts used for anchoring to the ground made of hot-dip galvanised steel



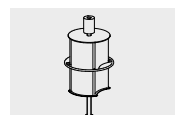
sound elements of groups are tuned and painted in different colours

Dimensions

(small deviations possible)

height	1.85 m
diameter	0.80 m
weight	200 kg

For more detailed explanation of the quality characteristics see price list.



9.10020

COPYRIGHT © RICHTER SPIELGERÄTE GMBH 10/15

Play value

Three wooden columns with pump levers are placed around a central column. Raising and lowering the levers produces air pressure that drives different sound elements, which results in different triads being produced. Playing together with the Wind Pumps allows basic rhythm and tone to be experienced using simple hand movements. This attractive play equipment is an appealing enhancement of parks and leisure areas. It is just as well suited as a central design feature of play areas.

Fundamental characteristics

- unique and original
- harmonic design
- incentive for playing: interesting installation, curiosity
- exercise activity: pumping

Suitable

- for all age groups from 5 years
- for public playgrounds
- day-care centres
- parks
- leisure areas

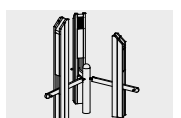
Barrier-free

- independent play



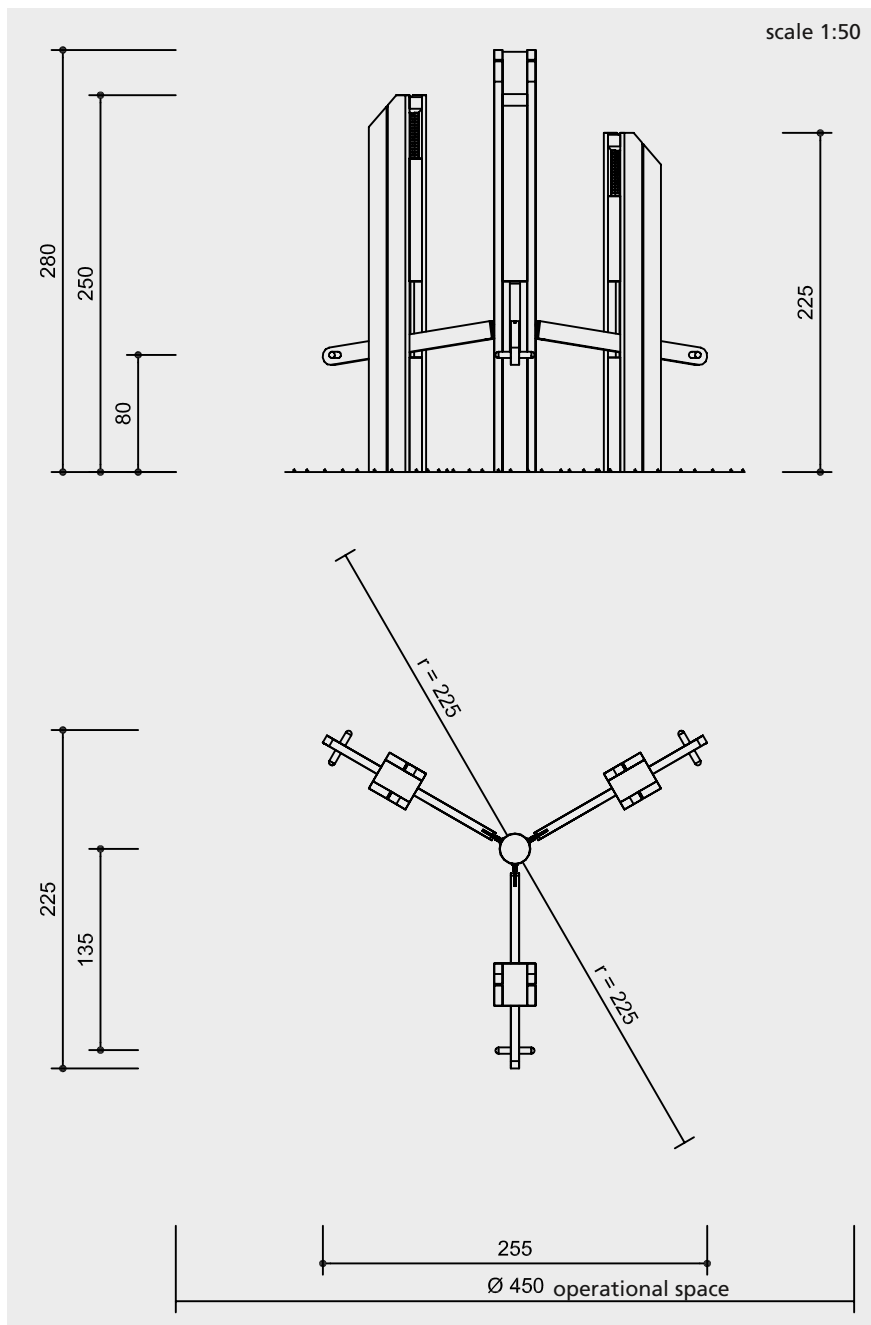
Wind Pumps

Acoustic effect	strong / pipes
Vandalism	not vulnerable



9.02500

Design Dorband/Thiele



Technical information

equipment of non-impregnated mountain larch or oak heartwood

de-barked

de-barked posts, Ø 15 - 18 cm



core-free timber

sawn timbers core-free, thus decreasing occurrences of cracking



1 piston pump per column each with 2 pipes, tuned to the pentatonic scale

hot-dip galvanised fittings

Dimensions

(small deviations possible)

height 2.80 m
weight 300 kg

Please refer to the price list for a more detailed explanation of the quality characteristics.

safety check according to EN 1176

Components

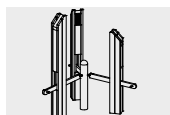
- 3 individual pumps with integrated sound elements
- 1 central column with 3 levers

Installation information

Surfacing requirements
no requirements

Foundations
3 items 60 x 60 x 50 cm
excavation depth 70 cm
1 item 60 x 60 x 60 cm
excavation depth 80 cm

Attention:
Exact measurements may vary; for all installation dimensions refer to current assembly instructions.
Technical changes reserved.



9.02500

Function and Play value

The Bell Tower is an attractive eye-catcher for play areas and leisure areas. Because of its size and design, it is suitable for marking special areas and giving them an unmistakable character. The Bell Tower is enjoyed by nearly everyone. When the hanging ropes are pulled, the sound elements are set in motion and produce a whole range of tones. The Bell Tower promotes communication and cooperation and can be used as therapy equipment for people with different impairments.

Fundamental characteristics

- carpenter construction
- incentive for playing: gate, suspended ropes
- movement: pulling, hanging

Suitable

- for children from 3 years
- for public playgrounds
leisure areas
parks
forests



Bell Tower

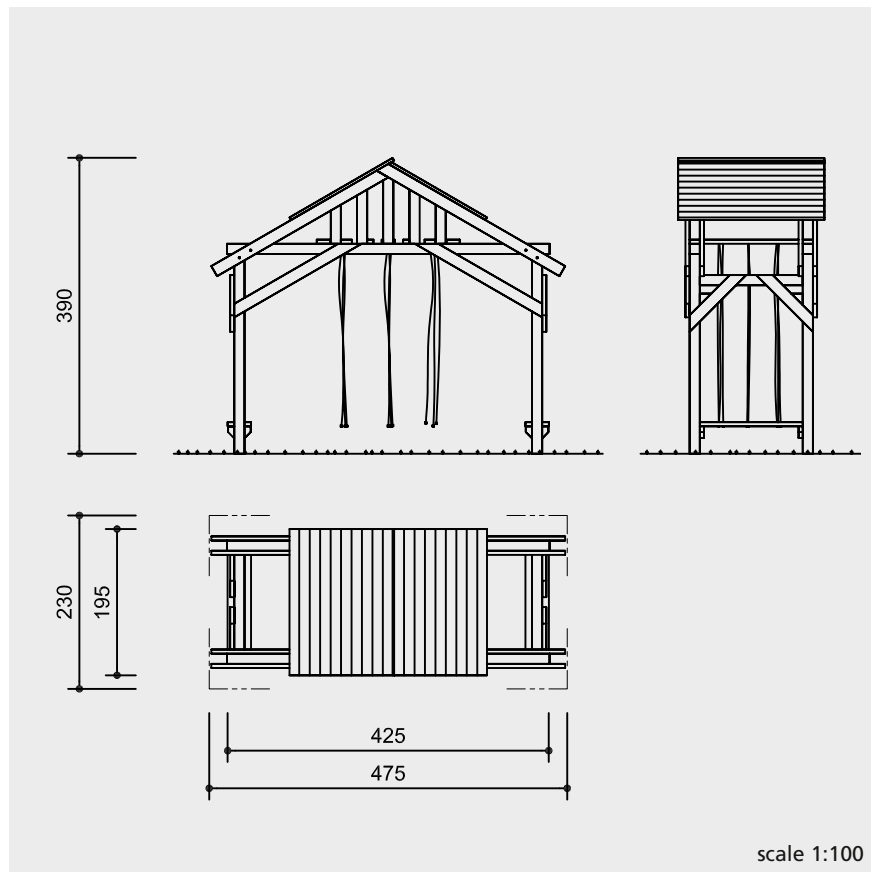
Acoustic effect	strong
Vandalism	not vulnerable

Barrier-free

- independent play



9.02510



Safety check according to EN 1176

Components

- 2 support frames
- 1 roof construction of square timbers with 9 integrated noise generators and 9 pull ropes

Installation information

Surfacing requirements
no requirements

Foundations
4 items 80 x 80 x 60 cm
excavation depth 80 cm

Attention:
Exact measurements may vary, for all installation dimensions refer to current installation instructions.
Technical changes reserved.
Equipment also available with steel feet.

Technical information

equipment of non-impregnated mountain larch, support post of oak heartwood

core-free timber

sawn timbers core-free, by that formation of cracks can be reduced, support posts 14/14 cm



tongue and groove

roof of 40 mm tongue and groove boarding



Corocord® rope

special ropes of "Hercules type"
pulling ropes of six-strand Corocord® rope of the special "Hercules type", abrasion protected through heating of the six steel strands and melting the polyamide sleeve onto them, standard colour rainbow



aluminium swages

double-conical aluminium swages with rounded-off ends



concealed head bolts

large surface for pressure distribution, prevents water from getting inside, protects the bolt head



adjustable bolts

no projecting threads after re-tightening due to two-piece bolt connection and therefore easy to maintain



noise generation through pipes, bells, metal, bike bell, gong

Dimensions

(small deviations possible)

height	3.90 m
length	4.25 m
width	1.95 m
weight	1000 kg

For more detailed explanation of the quality characteristics see price list.



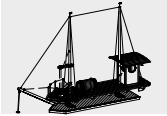
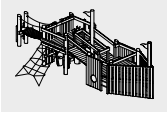
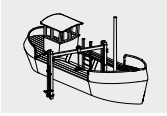
9.02510

F Large and Special

- 1 Ships
- 2 Play constructions

Experiencing something unusual, surprising or new is enlivening and motivating. If the feeling is positive and joyful, those experiences can become a source of power and energy. Well-designed, thought-through leisure areas take this into consideration and create innovative, eventful and imaginative play offers. Our special play objects and our range of "play art" are particularly suited as unmistakable design elements that provide a high leisure value.

F 1 Ships

Order No. Item	page
 8.03100 Cutter	527
 8.02030 Small Two-Master	529
 8.01000 Metal Ship Sand	531
more ships	533 - 542

At Sea

The Cutter is a ship that can really "sail". A counterweight, which corresponds in technical terms to the keel of a boat, allows the boat to make a rocking movement as if it were floating on the water. The movement is gentle and can be initiated even by small children walking up and down. Together with the cabin, the helm and other elements, this movement game creates a special play atmosphere where little sailors can use all their senses to experience the charm of a ship.



access option: Order No. 8.03102 Swinging Bridge

Fundamental characteristics

- unique and original
- attraction
- high-quality design
- stimulus to role-play

Cutter

Suitable

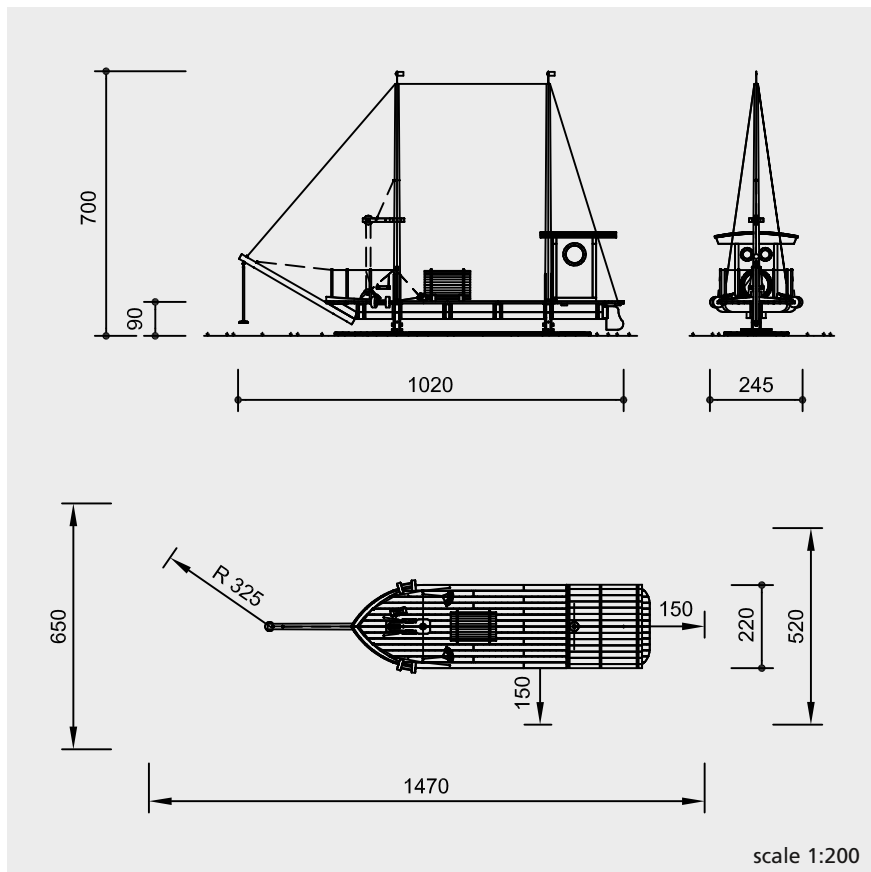
- for children from 5 years
- for public playgrounds
- leisure areas
- theme playgrounds

Copyright © Richter Spielgeräte GmbH 10/15

Design P. Hannes



8.03100



safety check according to EN 1176

Components

ship

- 1 deck
- 1 counterweight with cross beams
- 2 buffers
- 1 wheel house
- 2 masts with tensioning ropes and sand hoist
- 1 sand sieve
- 1 barrel
- 1 bowsprit with pendulum seat

Installation information

Surfacing requirements corresponding to a fall height of ≤ 1.00 m (please refer to price list for more detailed information)

Foundations
Foundation basin
680 x 170 x 20 cm
excavation depth 145 cm
be steel-reinforced on site (not included)

Attention:

Exact measurements may vary, for all installation dimensions refer to current installation instructions.

Technical changes reserved.

Technical information

wooden parts made of mountain larch, selected according to eight quality criteria

de-barked

masts and bowsprit made of de-barked posts, \varnothing 15 - 18 cm



core-free timber

sawn timbers core-free, thus decreasing occurrences of cracking



tongue and groove

wheel house with roof made of 40 mm tongue and groove boards, reinforced with stainless steel straps



plywood

walls of wheel house made of three-layer waterproof plywood of mountain larch, 30 mm



pendulum seat

with large rubber surface, with a soft, protective edge and profiled steel insert



universal joint

pendulum seat suspension with hose-sleeved chain connected to drop-forged, hot-dip galvanised joint yoke; the universal joint insert consists of two swing bearings



concealed head

large surface for pressure distribution, prevents water from getting inside, protects the bolt head



ball bearings

low-maintenance ball bearings



all steel parts made of stainless steel or hot-dip galvanised

rigging made of retensionable stainless steel ropes

railing made of stainless steel

steering wheel with operable helm

underground counterweight, hot-dip galvanised steel

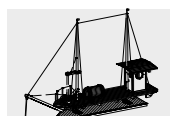
window in the wheel house with stainless steel frame, both front windows with acrylic glass

Dimensions

(small deviations possible)

height	7.00 m
deck	
height	0.90 m
length	10.20 m
width	2.20 m
weight	4000 kg

Please refer to the price list for a more detailed explanation of the quality characteristics.



8.03100

Play value

The appealing open construction of our Small Two-Master with its lovingly realistic details simply invites children to play joint role-play games. The lean bow with bridge and portholes can be climbed while in the nave there are bridges, a rotating steering wheel and masks with flags – it's just like setting sail on the high seas. The stern can be conquered by big and little pirates via a suspension bridge or a climbing net. The next adventure can be planned at the round table with four stools under the platform in the cutter.



Fundamental characteristics

- child-oriented dimensions
- natural wooden surface appeals to the senses
- emotionally appealing design
- friendly appearance
- incentive for playing: role-playing games
- exercise activity: climbing

Small Two-Master

Suitable

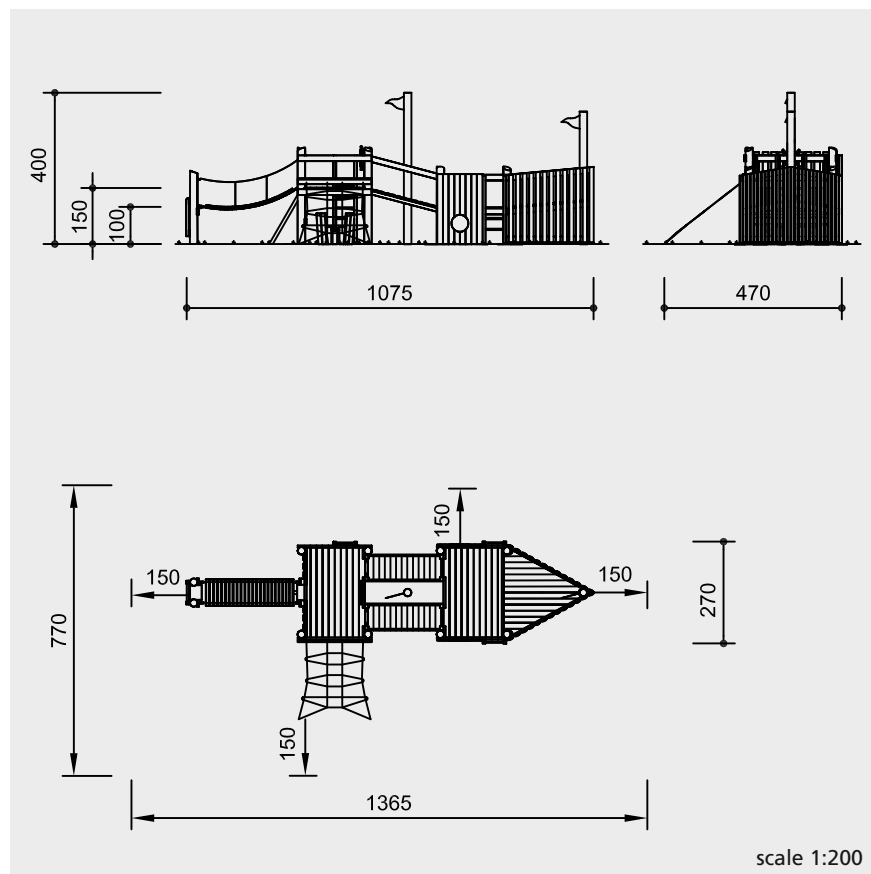
- for children from 5 years
- for public playgrounds
- leisure areas
- theme playgrounds

© Richter Spielgeräte GmbH 10/15

Design and Copyright



8.02030



safety check according to EN 1176

Components

- 1 bow with floor, 2 side panels and steel feet
- 1 platform, height 1.00 m with 2 floor elements, handrails, 2 side panels and steel feet
- 2 rigid bridges, length 2 m with wooden handrails
- 1 platform as stern, height 1.50 m with 2 floor elements and handrails
- 1 suspension bridge, length 3 m with chain handrails
- 1 end frame with ladder and steel feet
- 1 inclined climbing net
- 2 masts with flag
- 1 round table
- 4 stools with back

Installation information

Surfacing requirements: corresponding to a fall height of ≤ 1.50 m (please refer to price list for more detailed information)

Foundations

Platforms

8 items 60 x 60 x 60 cm excavation depth 80 cm

Front mast

1 item 60 x 60 x 60 cm excavation depth 80 cm

Middle mast

1 item 80 x 80 x 60 cm excavation depth 80 cm

End frame for suspension bridge

1 item 125 x 120 x 60 cm excavation depth 80 cm

Metal strut

1 item 60 x 60 x 40 cm excavation depth 60 cm

Inclined climbing net

2 items 50 x 50 x 40 cm excavation depth 80 cm

Round table

1 item 60 x 60 x 40 cm excavation depth 60 cm

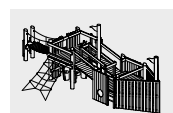
Attention:

Exact measurements may vary; for all installation dimensions refer to current installation instructions.

Technical changes reserved.

Dimensions

(small deviations possible)
 height 4.00 m
 length 10.75 m
 width incl. net 4.70 m
 weight 2000 kg



8.02030

Technical information

wooden parts of non-impregnated mountain larch

de-barked

masts and stand posts made of de-barked posts, Ø 18 - 21 cm



angle cut

vertical stand posts with angle cut in the end grain section as constructive wood preservation



core-free timber

sawn timbers core-free, thus decreasing occurrences of cracking



slabs

side walls and bridge floor made of slabs, thickness 4 - 5 cm, de-barked by hand



tongue and groove

platform made of 40 mm tongue and groove boarding



hardwood rungs

climbing rungs of hardwood, milled and mortised, Ø 42 mm



Corocord® rope

special ropes of "Hercules type"
 six-strand Corocord® rope of the special "Hercules type", abrasion-protected through heating of the six steel strands and melting the polyamide sleeve onto them, standard colour red



aluminium swages

double-conical aluminium swages with rounded-off ends



S-clamps

neatly rounded Corocord® S-clamps made of stainless steel, Ø 8 mm



rope connection with joint

close fitting connection without dangerous openings; the bearing consists of one brass bush



concealed head

large surface for pressure distribution, prevents water from getting inside, protects the bolt head



adjustable

easy to maintain, no projecting threads after re-tightening due to two-piece bolt connection



brass bush

for all to and fro movements we use sintered metal bearings which allow for self-lubrication while in use and are easy to exchange if required



ground anchor

all parts used for anchoring to the ground made of hot-dip galvanised steel



flags made of corrugated stainless steel sheet metal, thickness 2 mm, not rotateable

Please refer to the price list for a more detailed explanation of the quality characteristics.

In the port

Real ships are curved, and if they are as modern as the "Sand" model from our series of state-of-the-art working ships, then they are also made of steel. Real sailors, dockers, navy officers and, of course, the coxswain work hand in hand on this ship. They perform all the steps necessary to ensure that the ship can soon set off on its next trip. But before this, the shipment must be unloaded and reloaded using the cargo gear. Set in a harbour landscape with footbridges and piers, the metal ship named "Sand" is not only an eye-catcher but also a meeting point and place for role-playing.



access options: e.g. Inclined Ramp, Inclined Climbing Net

Fundamental characteristics

- unique and original
- eye-catcher
- coloured design
- high-quality design
- stimulus to role-playing

Suitable

- for children from 5 years
- for public play spaces
leisure areas
theme playgrounds

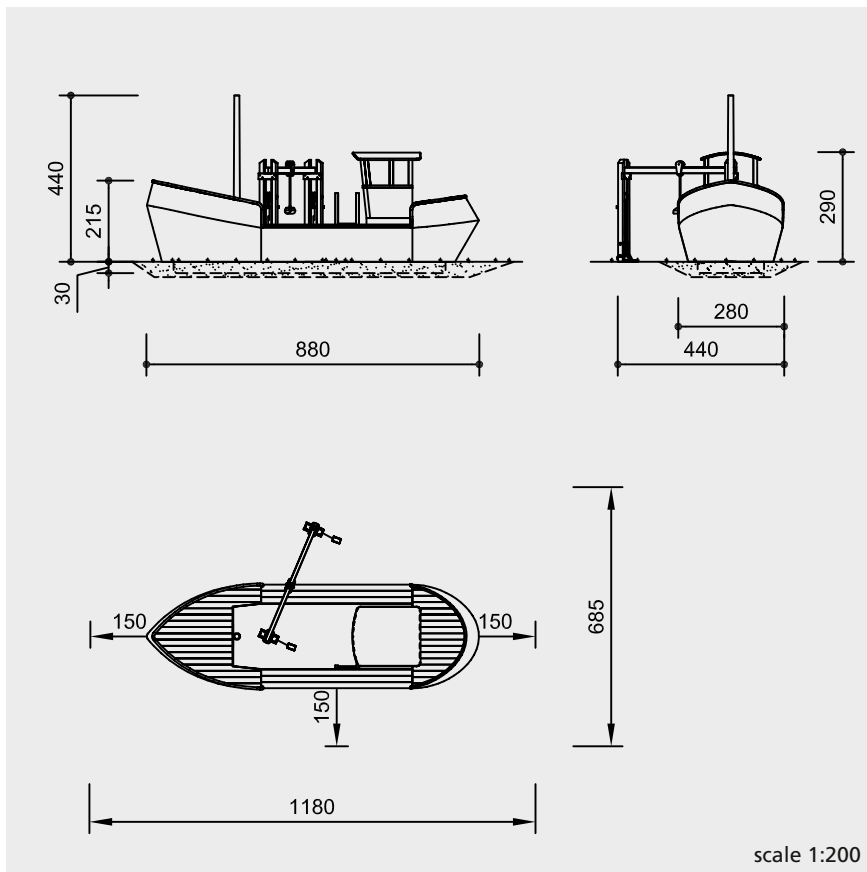
**Metal ship "Sand"
with Sand Transport System**

Copyright © Richter Spielgeräte GmbH 10/15

Design G. Beltzig



8.01000



Safety check according to EN 1176

Components

Ship

- 1 metal ship with wheelhouse
- 1 ladder
- 1 mast with access to deck and ship's bell
- 1 table
- 3 stools with foundation irons

Sand Transport System as cargo gear

- 2 support frames with 1 sand hoist each and 1 shovel
- 1 transport rail with sand container

Planning information

Accesses are not included in the components. They must be planned as not easily accessible e. g. Rope Bridge, Chain Path, Climbing Trunk etc.

Installation information

Surfacing requirements corresponding to a fall height of ≤ 1.50 m (please refer to price list for more detailed information)
Play sand or pea gravel is required for correct functioning.

Foundations

Ship

No foundations are required for the ship. The sheet metal of the hull will reach 30 cm into the ground. A ballast bed is to be built in the area of the hull. The ship hull has no bottom. It must be filled with a layer of sand or pea gravel of approx. 30 cm.

Mast

1 item 60 x 60 x 30 cm
excavation depth 80 cm

Table

1 item 60 x 60 x 40 cm
excavation depth 60 cm

Sand Transport System

2 items 80 x 60 x 50 cm
excavation depth 70 cm

Attention:

Exact measurements may vary, for all installation dimensions refer to current installation instructions.

Technical changes reserved.

Technical information

ship made of 4 mm bent sheet metal, primed and painted in two colours, all edges in the play area have a sufficiently large radius

deck, mast, wheelhouse finishing, sand transport system, ladder, table and stool made of mountain larch, selected according to eight quality criteria, double supports 14/14 cm, transport rail 10/16 cm

angle cut

vertical support posts with angle cut in the end grain section as constructive wood preservation



core-free timber

sawn timbers core-free, measurements refer to wood before planing



tongue and groove

table top made of 40 mm tongue and groove boarding



plywood

wheel and instrument panel made of waterproof mountain larch plywood, 30 mm



concealed head

large surface for pressure distribution, prevents water from getting inside, protects the bolt head



adjustable

no projecting threads after re-tightening due to two-piece bolt connection



ground anchor

all parts used for anchoring to the ground made of hot-dip galvanised steel



chains

suspended on short-link chains, 5 mm, welded before hot-dip galvanisation (stainless steel chains available on request)



ball bearing

hoist wheels with low-maintenance, ball bearings



sand container made of rubber membranes

ship's bell made of brass

Dimensions

(small deviations possible)

height	4.40 m
height of wheelhouse	2.90 m
height of bow	2.15 m
length	8.80 m
width of ship	2.80 m
width, overall	4.40 m
total weight	4000 kg
heaviest single part	3500 kg

Transport and unloading

transport with low loader h = 70 cm on request, discharge with crane on site

For more detailed explanation of the quality characteristics see price list.



8.01000

Highlights

Leisure parks offer a wide range of fun and adventure games. To make sure they also appeal to young visitors, it's important to have a range of different attractive installations that provide a high incentive to play and offer experiences and adventures that will be remembered long after the visit.

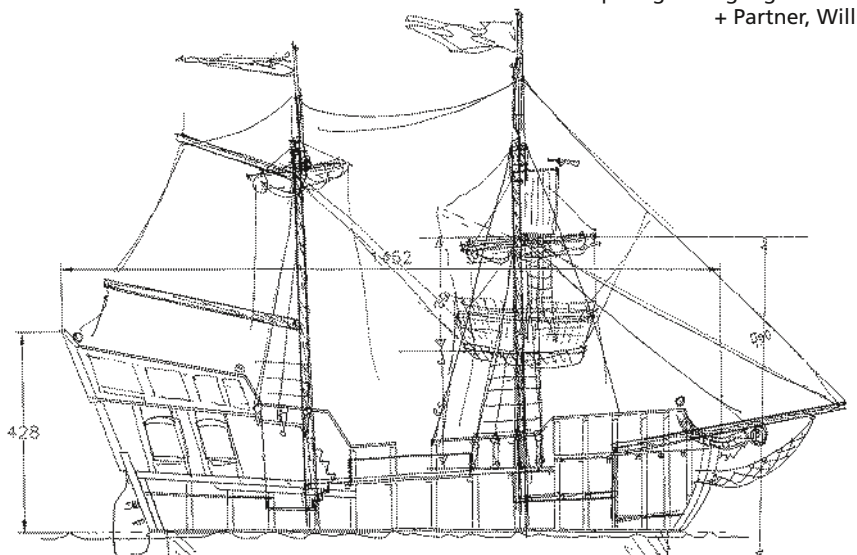
Our pirate ship is not just a visual eye-catcher but above all it is a very special play world with a magnetic effect on big and small.

The diagram shows one such play world, which is particularly attractive as it can be reached over the water.

Copyright © Richter Spielgeräte GmbH 10/15



Pirate Ship Planning
Dipl.-Ing. Wolfgang R. Mueller
+ Partner, Willich





Theme playground

Ships are an object that customers request again and again and one which we are able to create in many different ways. Generally customers present exact ideas and guidelines regarding form, play value and colour, which we then implement in close cooperation with the customer.

At the theme playground "Peter Pan" in London, a large ship has always been an absolute must. It is the centre of this lovely place and children use it and play on it in lots of different ways.



Photo: LUC London

8.02000 Large Two-Masted Ship



Place of installation
Diana, Princess of Wales
Memorial Playground, London

Concept
Land Use Consultants

Design
Günter Beltzig

Synergy

In Fidenza/Italy, the operators of a shopping centre decided to build an outstanding playground in order to make the visit to this place attractive for children and win their parents over as customers.

As the shopping mall has been designed in an Egyptian style, the play ship has been recreated as a Pharaoh's barque. The aesthetically pleasing play sculpture conceals a whole range of play offers, and its specially shaped design makes it very memorable and contributes to the identity of this place.



Copyright © Richter Spielgeräte GmbH 10/15

8.02020 Nile Galley

Place of installation
Fidenza Village Outlet Shopping
Fidenza / Italy

Planning
Value Retail PLC, London

Equipment
Richter Spielgeräte GmbH / Günter
Beltzig



Play inside the ship

The Sand Ship has a basic construction made up of several platforms that were created by rebuilding the body of a ship. A range of different play offers and combination elements together with the ship's sand area form the basis of a small, safe play world. Because the play activities take place in the easily seen interior of the ship it is particularly suited for small children. There are also different seats available for their carers.



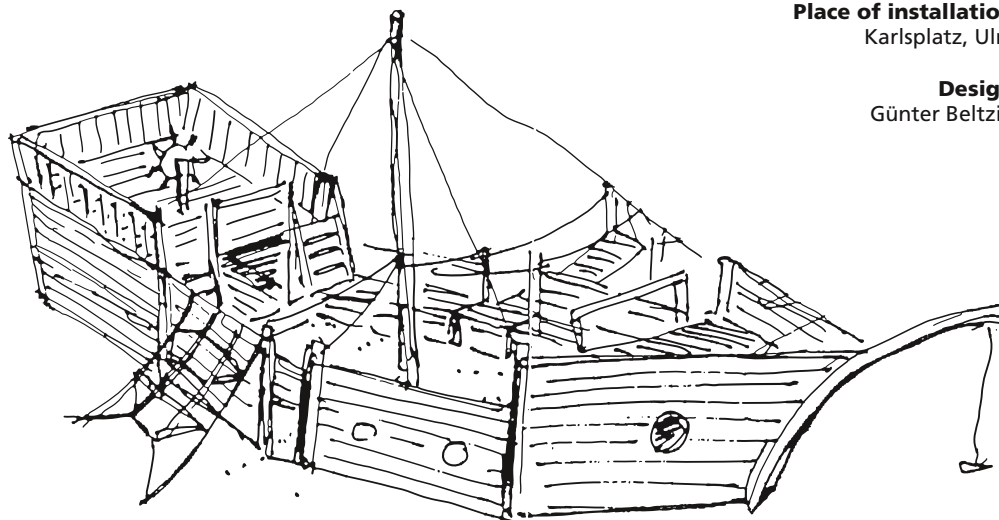
Sand Ship

Place of installation

Karlsplatz, Ulm

Design

Günter Beltzig

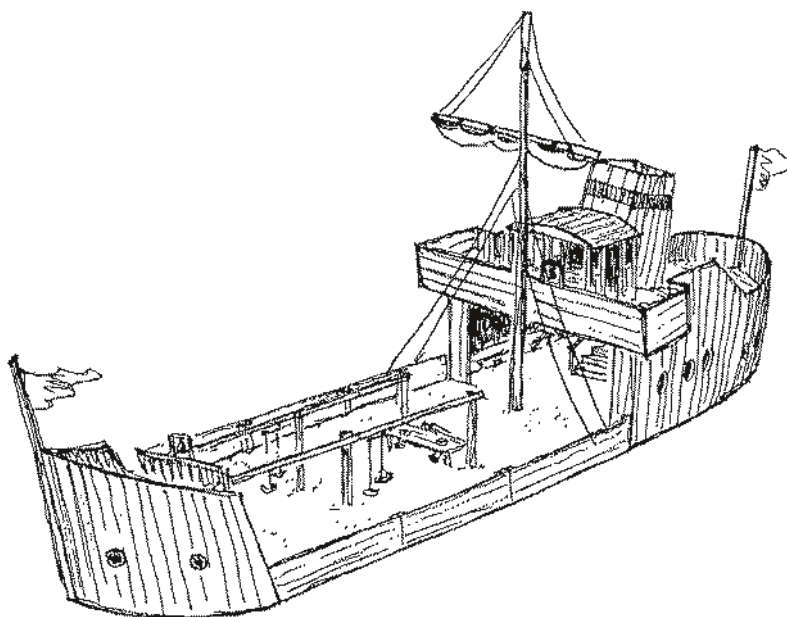


Coastal Ship

Our ship, inspired by the design of a large coastal freighter, has cast anchor in Elbauenpark in Magdeburg. The stern of the ship houses a large play house with several levels and a "real" ship's wheel. The sand area inside the hull, equipped with sand chutes, sand pipes and transport rails, offers many play opportunities for big and little sailors, pirates and ship's captains.



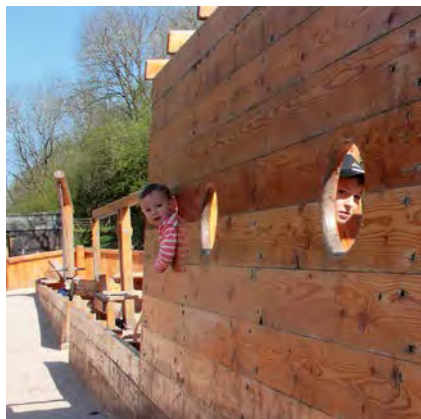
Copyright © Richter Spielgeräte GmbH  10/15



Place of installation
Elbauen Park Magdeburg

Design
Günter Beltzig

Equipment
Richter Spielgeräte GmbH



English Narrowboat

The wooden ship, specially built for the Daisy Nook Country Park in Great Britain, is a reproduction of a typical English narrowboat. Specifically created for the inland waterways, these ships are characterised by their flat hulls and narrow design. On our play ship "Daisy Nook", wheelchair users can conquer the ship's deck and stern by means of large ramps and reach the sand play equipment via the central entrance set into the hull. The large sand play area in the interior of the ship's body with conveyor track, sand channels and shovels increases the special play value of this ship.



Place of installation

Daisy Nook Country Park
Oldham Council/England

Concept

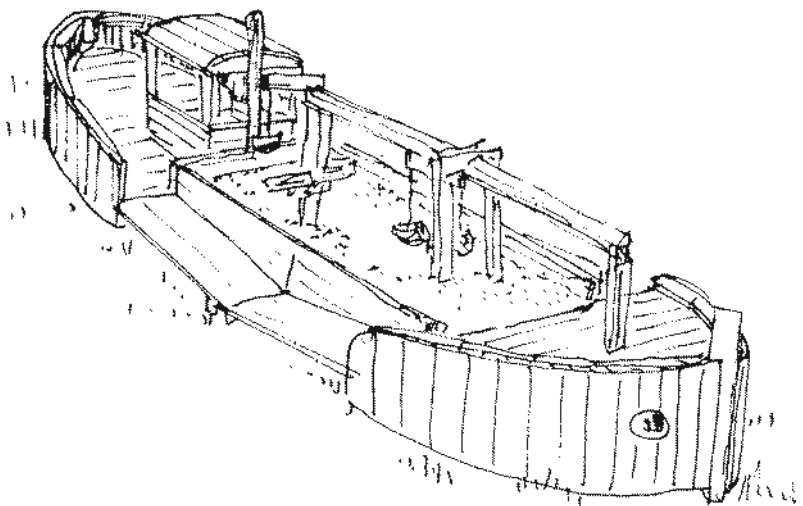
Oldham Metropolitan Borough Council

Design

Günter Beltzig

Equipment

Richter Spielgeräte GmbH

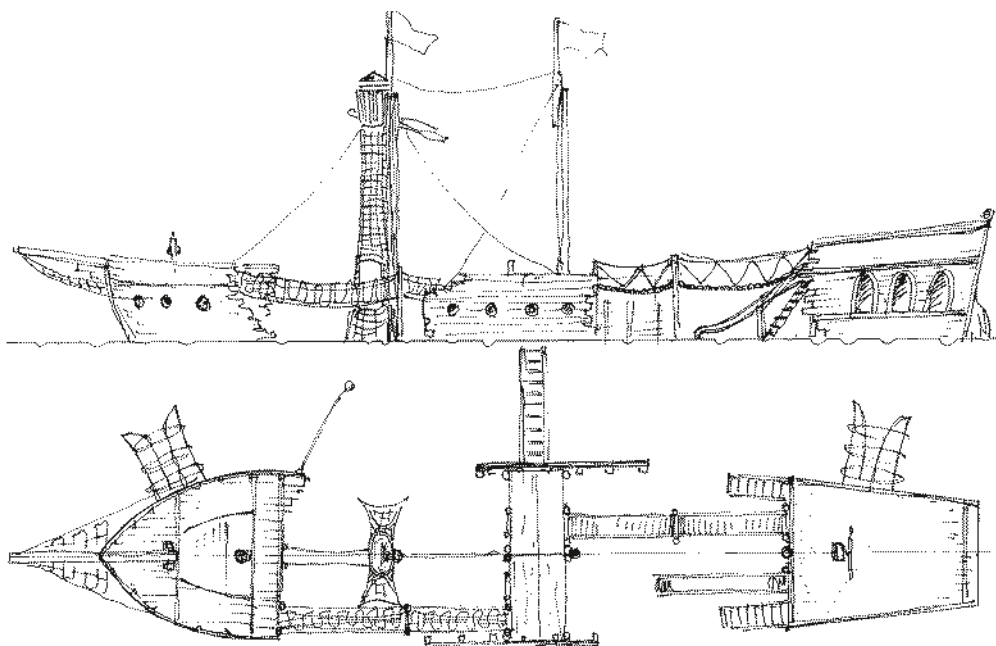


A wreck for children and adults

The wreck stranded in the Belgian village of Chevetogne is a smaller version of our "Luxembourg" ship. The three levels of the hull, mast and stern all offer space to play thanks to a range of variable climbing nets and slides. In addition to the high play value, the shipwreck is characterised by the sophisticated design of the curved wooden planks. The portholes and the integrated sand area also provide creative play opportunities for smaller children.



Copyright © Richter Spielgeräte GmbH 10/15



Chevetogne Ship

Place of installation
Chevetogne, Belgium

Design
Günter Beltzig

Equipment
Richter Spielgeräte GmbH



Climbing and conquering

The stranded shipwreck in this English park offers plenty of space for a variety of play opportunities. The platform in the centre of the hull can be reached in a variety of ways over bridges on both sides or inclined climbing nets. If desired, attractive details can be added to the mast and stern such as a telescope or a ship's bell. The crow's nest on the mast is connected to the ship's body by a climbing structure and is a stimulus for a range of role-play games.



Place of installation

Priory Park
Reigate England

Concept

Land Use Consultants

Equipment

Richter Spielgeräte GmbH

Adventure playground in Luxembourg municipal park

A shipwreck in the centre of the city.

One of the most beautiful playgrounds in Europe is located in the Luxembourg municipal park. This adventure playground, situated on an area of 4500 square metres, allows children to develop many creative games and gives free rein to their imagination.

The shipwreck not only acts as a stimulus for role-play games, but can also be used as a climbing structure and slide and, with its impressive size of 30 metres long and 12 metres high, is an attractive centre point of this generously proportioned play world.



Planning
www.schwarzundpartner.de

Equipment
Richter Spielgeräte GmbH
Günter Beltzig

Ships

Play ships are well suited as a design element for a large play area. They create a very special appeal, identify an area for play, and help in structuring the grounds. A ship triggers a whole range of associations. Different role-play games quickly develop, such as steering the ship, giving orders over the telephone or ringing the ship's bell.

The Würfelwiese park in Halle is situated directly on the banks of the Saale river and is a carefully planned recreation place catering for all generations. The play installation "Shipwrecks" made it possible for the planners to create an immediate connection to the river. The elaborate play structure is an attractive eye-catcher in the park and a meeting point for young and old.



Play Ship Würfelwiese
Place of installation
Halle on the Saale river


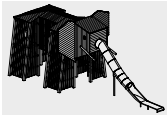
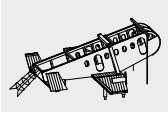


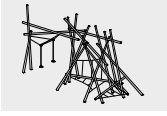




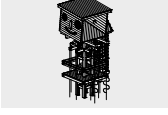
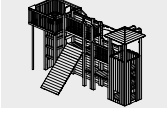
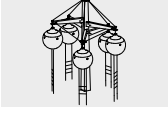
Halle City Development and Planning
Simone Trettin

Equipment
Richter Spielgeräte GmbH
Günter Beltzig

F Large and Special

- 1 Ships
- 2 Play constructions

F 2 Play constructions

Order No. Item	page	Order No. Item	page
			
8.85000 Ornithopter	543	8.76000 Giant Elephant with Tunnel Slide	559
			
8.05000 Big Wooden Plane	545	6.50000 Timberwood Tangle 01	561
			
8.50001 Play Wall Type 01	547	6.50020 Timberwood Tangle 02	563
			
8.00010 Small Play Pyramid	549	6.50030 Timberwood Tangle 03	565
			
8.00000 Large Play Pyramid	549	8.95100 Ramp Labyrinth	567
			
8.79000 Mountain Guard	551	7.78500 Play Block	569
			
8.80500 Science Fiction Town	553		
Minikado	555		
Little York	557		

Play value

Despite its commanding size, the Ornithopter nevertheless looks light and „fit to fly“. This play installation, which is weird in the best sense, creates a very special atmosphere and evokes numerous connotations. The bird can be seen from a far and makes the place where it is installed unmistakable. Children are fascinated by this exceptional play offer. The bird starts moving as soon as a „passenger“ gets on. Fidgety, as if it was about to take off, it bends its knees, the body starts vibrating and, finally, it flaps its wings. The ultimate take off and gliding through the air depend on children’s imagination.



Copyright © Richter Spielgeräte GmbH 10/15

Design G. Beltzig

Fundamental characteristics

- unique and original
- the body of the bird is swinging
- the soft movement is determined by the dimensions of the parts of the body (long pendulums)
- incentive for playing: bird shape
- movement: swinging, physical effort, climbing

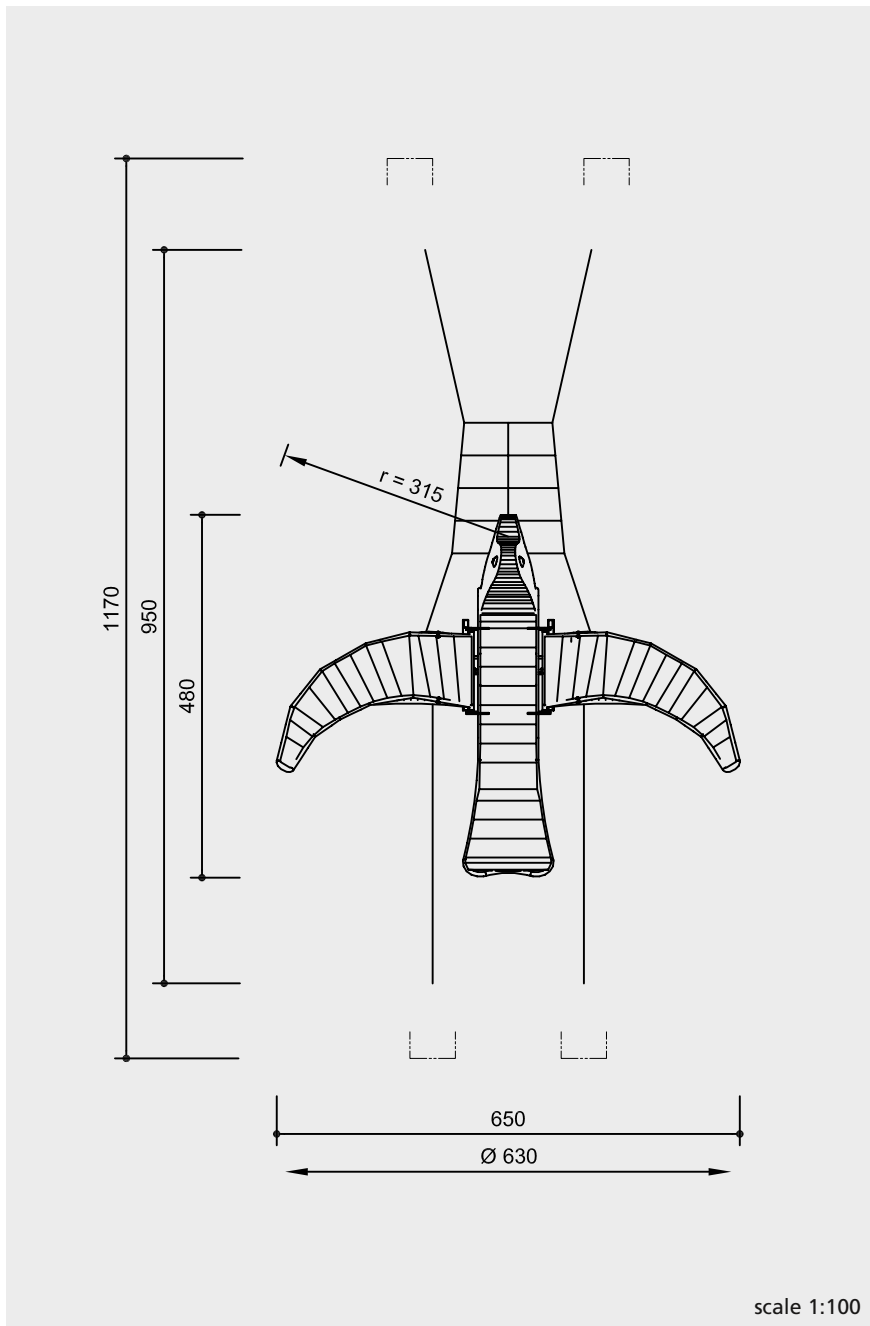
Suitable

- for people from 6 years and young people
- for public playgrounds
leisure areas
places in town centres

Ornithopter
colours can be added according to customer’s wishes



8.85000



scale 1:100

Safety check according to EN 1176

Components

- 1 complete unit with guy ropes and climbing net
- 1 supporting frame for setting into concrete

Installation information

Surfacing requirements corresponding to a fall height of ≤ 2.00 m (please refer to price list for more detailed information)

Foundations
 1 item 180 x 180 x 120 cm with additional steel reinforcement
 4 items 60 x 70 x 80 cm

Attention:
Exact measurements may vary, for all installation dimensions refer to current installation instructions.
 Technical changes reserved.



8.85000

Technical information

Overall construction made of stainless steel, glass bead blasted

Corocord® rope special ropes of "Hercules type"
 safety ropes and nets of 19 mm six-strand Corocord® rope of the special "Hercules type", abrasion protected through heating of the six steel strands and melting the polyamide sleeve onto them, standard colour black



aluminium swages
 double-conical aluminium swages with rounded-off ends



S-clamps
 neatly rounded Corocord®S-clamps made of stainless steel, Ø 8 mm



rope connection rotating
 close fitting connection without dangerous openings, with integrated swivel, the bearing consists of one brass bush



brass bush
 for all to and fro movements we use bush bearings which allow for self-lubrication while in use and which can be easily exchanged in case of need



ground anchor
 all parts used for anchoring to the ground made of hot-dip galvanised steel



ball bearing
 connections between wings and body as well as wings and feet using ball bearings



safety ropes with shock absorbers

Dimensions

(small deviations possible)

max. height	4.00 m
sitting height	2.00 m
length	9.50 m
width	6.50 m
weight	860 kg

For more detailed explanation of the quality characteristics see price list.

Play value

Our Big Wooden Plane equally delights both big and little children. They can climb up to the fuselage of the plane via the spring-mounted deck as well as via the rope net at the tail of the plane. The object is enhanced by a climbing ladder and firemen's pole as well as rotating propellers. The child-oriented design is very appealing and, together with the integrated telephone in the form of a call box and the small airline kitchen, entices flyers to diverse role-playing activities. Its strong expressive design character also makes it an attractive centre point of any playground.



Fundamental characteristics

- very special appeal
- eye-catcher of a play area
- attractive meeting point
- incentive for playing: curiosity, role-playing games, experiencing height, hiding
- exercise activity: climbing up and around, observing, jumping

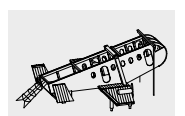
Suitable

- for children from 6 years
- for public playgrounds
parks
exhibitions
leisure parks

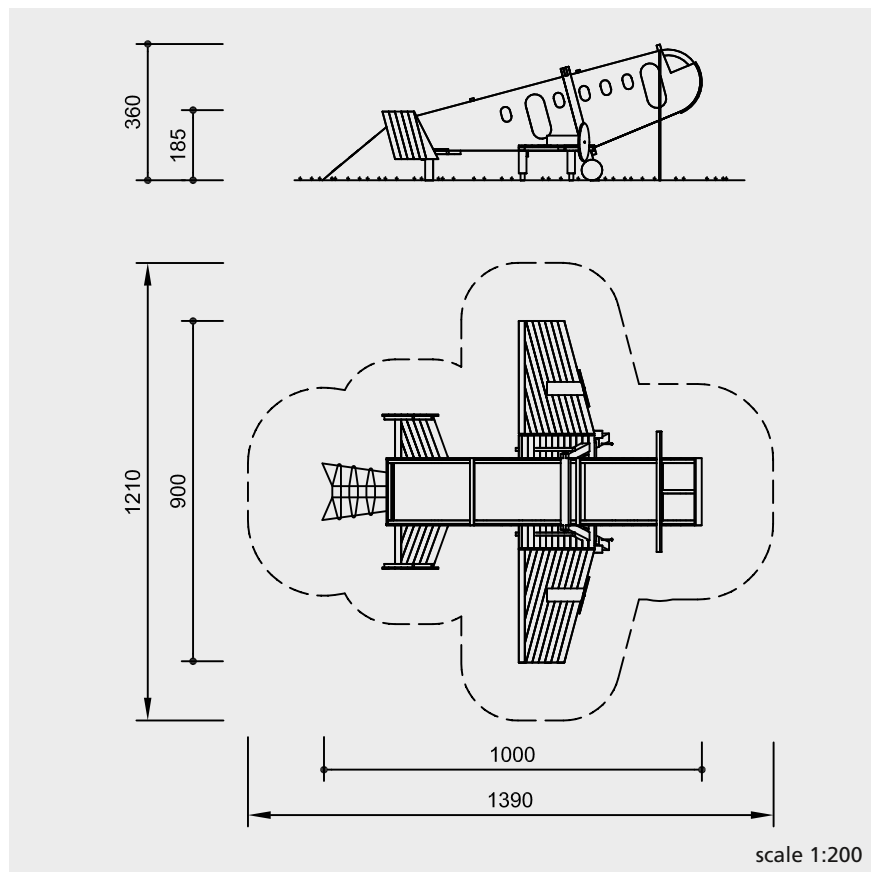
Big Wooden Plane

Copyright © Richter Spielgeräte GmbH 10/15

Design G. Beltzig



8.05000



safety check according to EN 1176

Components

- 1 fuselage
- 4 spring supports
- 2 wings with propellers
- 1 tail wing
- 2 rudders
- 2 wing consoles
- 2 wing supports
- 1 front support frame with fuselage support
- 1 rear support frame
- 2 wheels
- 1 inclined climbing net
- 1 firemen's pole
- 1 cross beam with climbing ladder

Installation information

Surfacing requirements corresponding to a fall height of ≤ 3.00 m (please refer to price list for more detailed information)

Foundations

- Fuselage**
- Blinding layer
 - 1 item 400 x 120 x 20 cm
 - 1 item 240 x 100 x 20 cm
 - excavation depth 120 cm
- Foundations**
- 1 item 400 x 120 x 60 cm
 - 1 item 240 x 100 x 60 cm

- Wings**
- 2 items 200 x 60 x 60 cm
 - excavation depth 100 cm

- Inclined climbing net**
- 2 items 50 x 50 x 40 cm
 - excavation depth 80 cm

- Firemen's pole**
- 1 item 55 x 40 x 30 cm
 - excavation depth 50 cm

- Climbing ladder**
- 1 item 30 x 30 x 30 cm
 - excavation depth 50 cm

Attention:
Exact measurements may vary; for all installation dimensions refer to current installation instructions.
 Technical changes reserved.

Technical information

equipment of non-impregnated mountain larch

de-barked
 posts de-barked posts, Ø 18 - 21 cm



core-free timber
 sawn timbers core-free, thus decreasing occurrences of cracking



tongue and groove
 platform made of 40 mm tongue and groove boarding



plywood
 three-layer waterproof plywood board 30 mm, five-layer waterproof plywood board 40 mm



Corocord® rope
special ropes of "Hercules type"
 climbing net and climbing ladder of 19 mm six-strand Corocord® rope of the special "Hercules type", abrasion-protected through heating of the six steel strands and melting the polyamide sleeve onto them, standard colour red



aluminium swages
 double-conical aluminium swages with rounded-off ends



S-clamps
 neatly rounded Corocord® S-clamps made of stainless steel, Ø 8 mm



firemen's pole of stainless steel, glass bead blasted

spring support galvanised

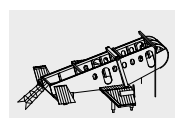
propeller: rotating disc made of precise black and white or coloured print with weather-resistant, special protective paint and antiglare surface

window and door frames made of stainless steel

Dimensions
 (small deviations possible)

height	3.60 m
length	10.00 m
width	9.00 m
weight	4000 kg

Please refer to the price list for a more detailed explanation of the quality characteristics.



8.05000

Play value

Our Play Wall consists of several small house elements. With their different spaces and levels, they offer numerous opportunities for hiding away, climbing up, sliding down and going through openings. The coziness of the little niches also provides children with enough space for imaginative role-play games. The modular Play Wall can be expanded to suit any needs and can be erected in a row or also at right angles. It is not just a unique play space but can also serve as sight and noise protection for playgrounds situated adjacent to roads.



Copyright © Richter Spielgeräte GmbH 10/15

Design G. Beltzig

Fundamental characteristics

- child-oriented dimensions according to ergonomic knowledge
- the space-defining design appeals to the senses
- high-quality design
- numerous play offers
- can be combined with other equipment
- incentive for playing: sand hoists, sand wheel, chains, role-playing games
- movement: climbing, crawling, crouching

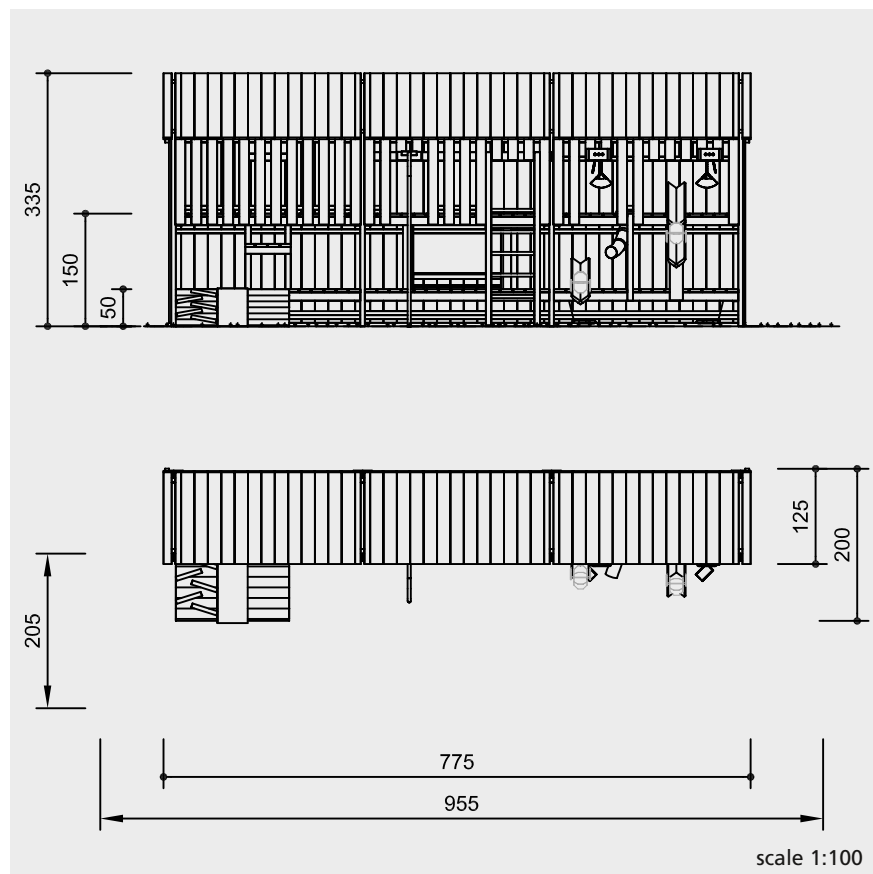
Play Wall Type 01

Suitable

- for children from 3 years of age
- for public playgrounds
- playgrounds situated near houses
- kindergartens/nurseries
- children's homes
- leisure areas of elementary schools



8.50001



safety check according to EN 1176

Components

- 3 play wall modules with roof
- 1 ramp with inclined stainless steel surface and foot holds as climbing aids
- 1 internal platform as climbing aid
- 1 ladder, height 1.50 m
- 2 sand hoists
- 1 sand chute
- 1 top part of sand chute
- 2 sand wheels
- 1 bent sand pipe
- 2 sand shovels
- 1 bent fireman's pole
- 1 drawing board

Installation information

Surfacing requirements corresponding to a fall height of ≤ 1.50 m (please refer to price list for more detailed information)
Sand is required for correct functioning.

Foundations

Play wall
4 items 195 x 100 x 20 cm
excavation depth 60 cm

Ramp
2 items 30 x 30 x 30 cm
excavation depth 50 cm

Firemen's pole
1 item 30 x 30 x 30 cm
excavation depth 60 cm

Attention:

Exact measurements may vary; for all installation dimensions refer to current installation instructions.

Technical changes reserved.

Technical information

wooden parts of non-impregnated mountain larch

core-free timber

sawn timbers core-free, thus decreasing occurrences of cracking



tongue and groove

intermediate floors made of 40 mm tongue and groove boarding, roof and rear wall 30 mm



hardwood rungs

climbing rungs of hardwood, milled and mortised, $\varnothing 42$ mm



ground anchor

all parts used for anchoring to the ground made of hot-dip galvanised steel



chains

suspended on short-link chains, 6 mm, welded before hot-dip galvanisation (stainless steel chains available on request)



assembly frames between the three modules and in the side walls made of hot-dip galvanised steel tubing 60 x 60 mm

firemen's Pole made of stainless steel, glass bead blasted

drawing board

made of HPL high-pressure laminated wood, thickness 10 mm, surface mat, colour ultramarine

stainless steel incline

Dimensions

(small deviations possible)

height	3.35 m
height pylons	0.50 / 1.50 m
length	7.75 m
width	2.00 m
weight	on request

Please refer to the price list for a more detailed explanation of the quality characteristics.



8.50001

Play value

Platforms installed at several levels simply invite children to get engaged in various exercise and role playing games in our Small Play Pyramid. They can climb up to and explore the individual playing levels. When finished, slides and sliding poles allow for a swift getaway to the ground. Totter path, swing and pendulum seat provide further incentives for exercise activities. A windmill installed at the top of the pyramid shines in the light and lets this object attract attention from afar.



Order No. 8.00000 Large Play Pyramid



Copyright © Richter Spielgeräte GmbH 10/15

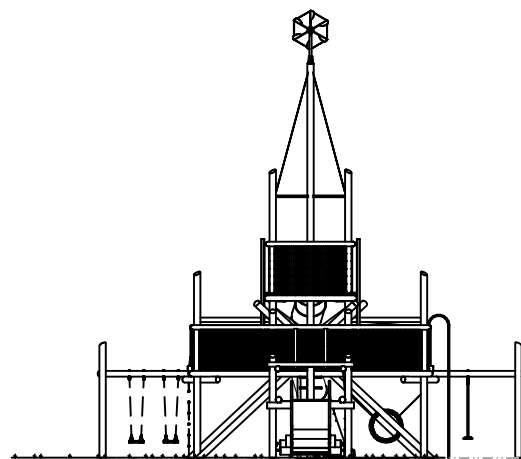
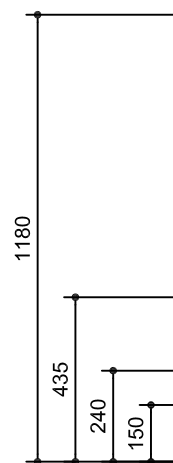
Fundamental characteristics

- impressive design statement
- very special appeal
- eye-catcher of a play area
- attractive meeting point
- incentive for playing: curiosity, role-playing games, experiencing height, hiding
- exercise activity: climbing up and around, sliding

Suitable

- for children from 6 years and young people
- for public playgrounds
- recreational parks
- leisure parks

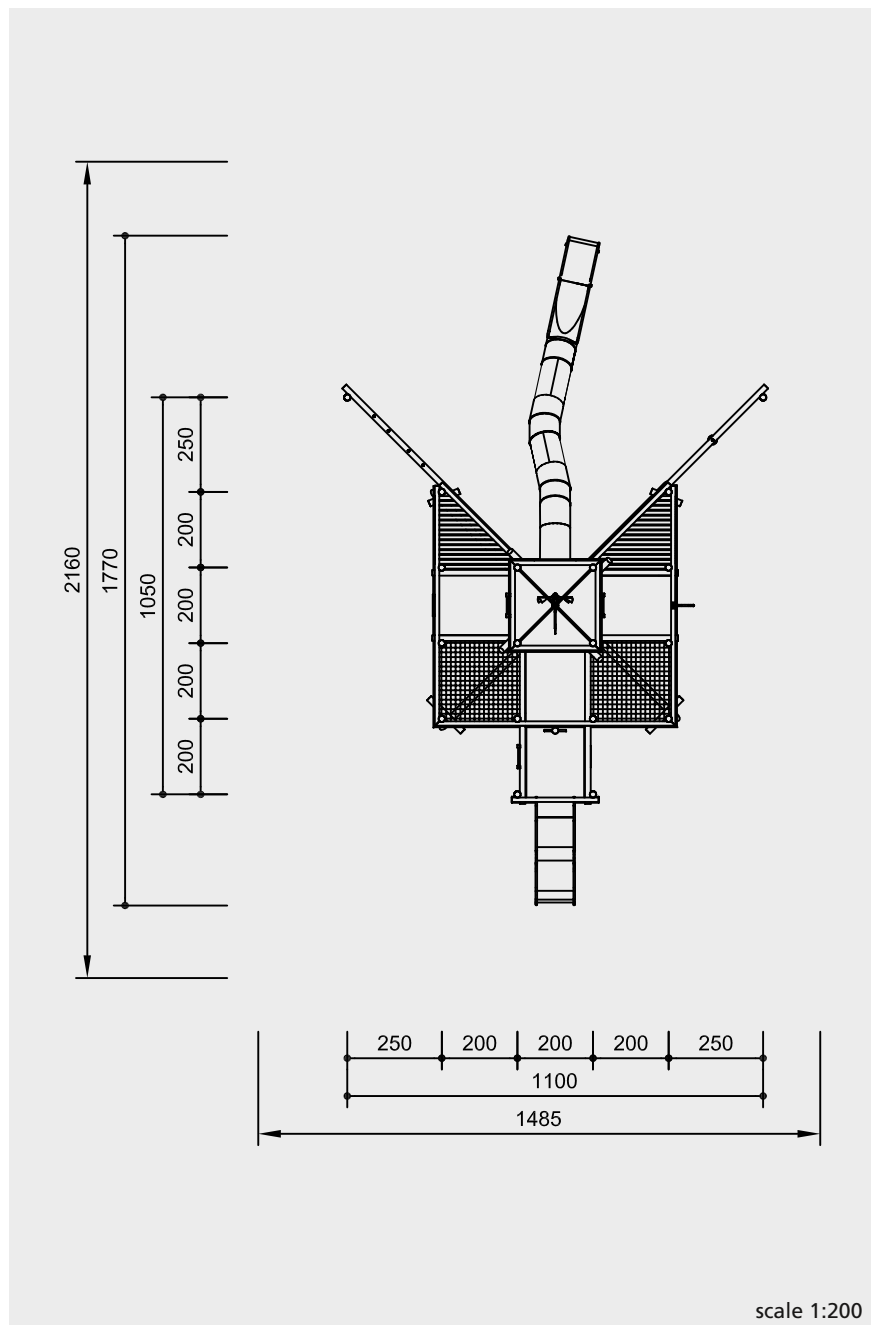
Small Play Pyramid



Design P. Hannes



8.00010



scale 1:200

Safety check according to EN 1176

Components

- 1 basic structure
- 1 tunnel slide, installed height 4.35 m
- 1 stainless steel slide Order No. 3.63320
- 1 large windmill with tensioning cables
- 3 ladders
- 2 boatswain ladders
- 1 crawling tube
- 1 turning roller with holding rope
- 1 rotating beam
- 1 pendulum seat
- 1 double swing
- 1 bent fireman's pole
- 2 horizontal chain nets

Installation information

Surfacing requirements corresponding to a fall height of ≤ 3.00 m (please refer to price list for more detailed information)

Foundations

- basic structure**
- 1 strip foundation
1180 x 80 x 60 cm
excavation depth 95 cm
to be steel-reinforced by customer
- 1 item 1180 x 80 x 15 cm
no separate excavation required
- 1 item 280 x 280 x 60 cm
excavation depth 95 cm
- 1 item 280 x 280 x 15 cm
no separate excavation required

Combination elements on request

Attention:
Exact measurements may vary; for all installation dimensions refer to current assembly instructions.

Technical changes reserved.

Technical information

wooden parts made of non-impregnated mountain larch

de-barked

construction timbers made of de-barked posts, $\varnothing 15 - 18$ cm



angle cut

vertical stand posts with angle cut in the end grain section as constructive wood preservation



core-free timber

sawn timbers core-free, thus decreasing occurrences of cracking



tongue and groove

intermediate platforms made of 40 mm tongue and groove boarding



hardwood rungs

climbing rungs of hardwood, milled and mortised, $\varnothing 42$ mm



rubber seat

rubber swing seat with anatomically correct shape, strong profiled steel insert and soft shock absorbing edge



pendulum seat

with large rubber surface, with a soft protective edge and profiled steel insert



swing joint

drop-forged, hot-dip galvanised swing joint with bush with graphite sleeve for self-lubrication and integrated swivel



universal joint

pendulum seat suspension with hose-sleeved chain connected to drop-forged, hot-dip galvanised joint yoke; the universal joint insert consists of two swing bearings



concealed head

large surface for pressure distribution, prevents water from getting inside, protects the bolt head



ground anchor

all parts used for anchoring to the ground made of hot-dip galvanised steel



chains

suspended on short-link chains 6 mm, welded before hot-dip galvanisation (stainless steel chains on request)



ball bearings

low-maintenance ball bearings



all steel parts made of stainless steel or hot-dip galvanised

barriers made of hot-dip galvanised metal grids

Dimensions

(small deviations possible)

height	11.80 m
platform height	1.50/2.40/4.35 m
length	17.70 m
width	11.00 m
weight	on request

Please refer to the price list for a more detailed explanation of the quality characteristics.



8.00010

Play value

A high tower with a friendly inclined head, that's the Mountain Guard. With the help of various accessories he can also become a gentle king or a forest elf if required. He overlooks the area from a seven meter high vantage point. His small „head room“ allows visitors to look through his eyes and assures a safe descent through two exits. The Mountain Guard offers many different possibilities for climbing up and down and is therefore an interesting challenge for movement and skills. Due to its strong formal expressive character, the Mountain Guard defines the atmosphere of the location and is therefore particularly suited to identify a play area and to be its focal point.

Fundamental characteristics

- harmonious, friendly design
- strong formal expressive character
- very special appeal
- eye-catcher of a play area
- incentive for playing: curiosity, friendly face, climbing offers
- movement: climbing, observing

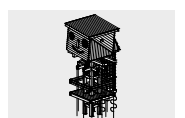
Suitable

- for children from 6 years and young people
- for public playgrounds
- leisure areas
- parks
- exhibitions
- excursion areas

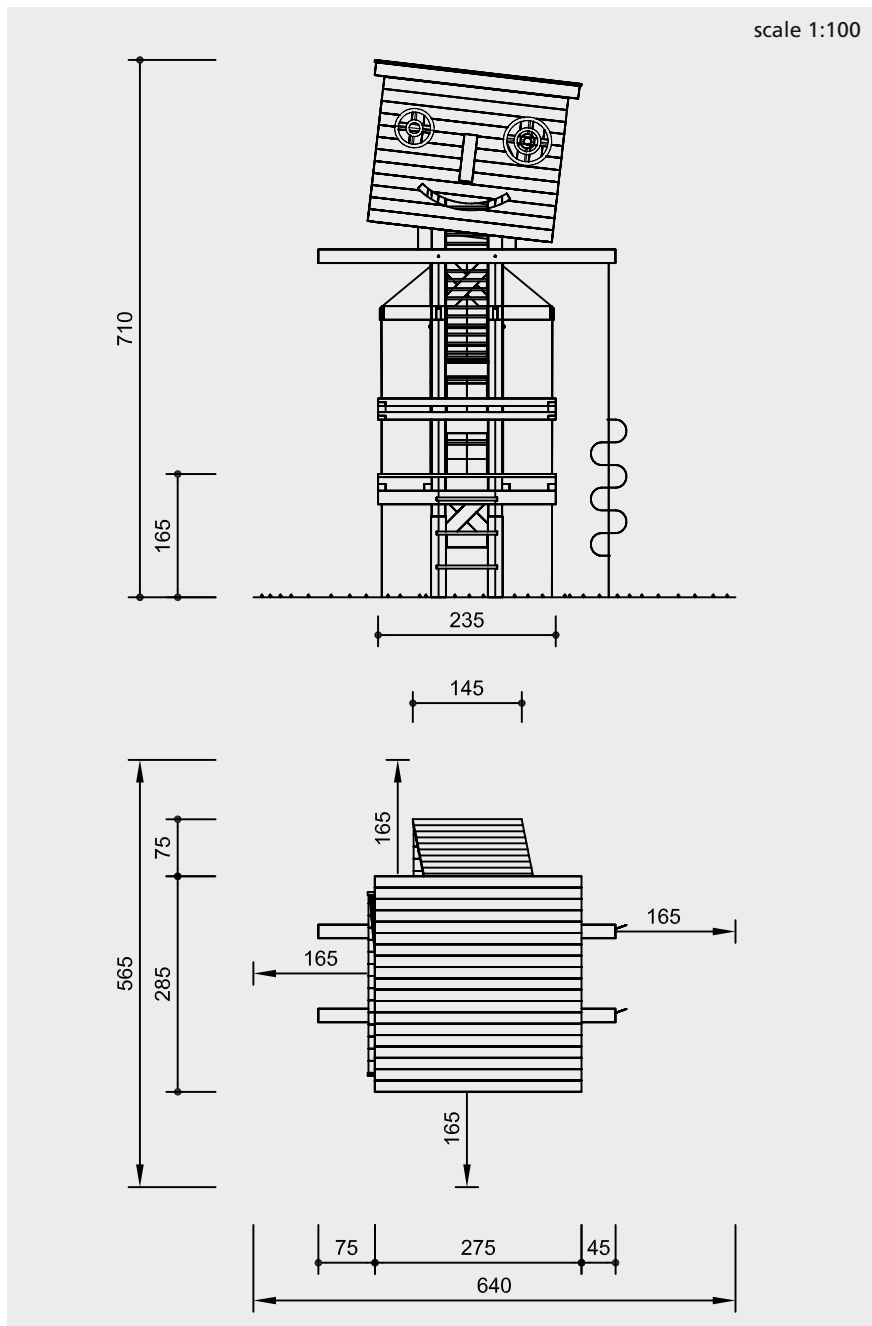


The picture shows a special version with crown.

Mountain Guard



8.79000



scale 1:100

Technical information

equipment of non-impregnated mountain larch

core-free timber
sawn timbers core-free, by that formation of cracks can be reduced



support posts of square timber 18/18 cm, not core-free

carpenter like connections

tongue and groove
platform boards of 40 mm tongue and groove boarding



Corocord® rope special ropes of "Hercules type"
climbing ladders of six-strand Corocord® rope of the special "Hercules type", abrasion protected through heating of the six steel strands and melting the polyamide sleeve onto them; end of rope anchored in the ground through a chain, standard colour rope net tunnel natural, climbing ladders rainbow



aluminium swages
double-conical aluminium swages with rounded-off ends



rope connection fixed
close fitting connection without dangerous openings



ground anchor
all parts used for anchoring to the ground made of hot-dip galvanised steel



chains
suspended on short-link chains, 6 mm, welded before hot-dip galvanisation (stainless steel chains available on request)



fittings hot-dip galvanised

ascent of stainless steel, glass bead blasted, diameter of the rungs 30 mm

moveable telescope of plastic

Safety check according to EN 1176 and „safety in another way“

Components

- 1 complete equipment, consisting of:
 - 1 head with pivoted telescope
 - 1 chimney ascent
 - 1 platform
 - 1 vertical net tunnel
 - 2 climbing ladders

Installation information

Surfacing requirements corresponding to a fall height of ≤ 2.00 m (please refer to price list for more detailed information)

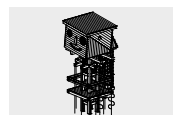
- Foundations
- 1 item 300 x 300 x 20 cm excavation depth 115 cm
 - 1 item 270 x 270 x 50 cm not separate excavation required
 - 1 item 185 x 185 x 20 cm not separate excavation required
 - 2 pieces 30 x 30 x 30 cm excavation depth 50 cm constructive reinforcement on site

Attention:
Exact measurements may vary, for all installation dimensions refer to current installation instructions.
Technical changes reserved.

Dimensions

(small deviations possible)

height	7.10 m
length	3.95 m
width	3.60 m
weight	on request



8.79000

For more detailed explanation of the quality characteristics see price list.

Play value

Even older children need a „den of their own“ where they can withdraw, undisturbed by parents or other children. The way of ascent into the gondolas is by means of a bosun’s ladder, which brings you within 1.50 m of the hatchway. For the remainder of the ascent you have to use a climbing rope. If you don’t want anyone else to follow you up into the gondola, you can pull the rope up inside after you. The Science Fiction Town is an eye-catcher for special play areas.

Fundamental characteristics

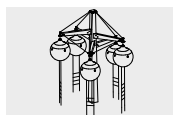
- appealing design
eye-catcher
- incentive for playing: curiosity, climbing ladders, green gondolas
- movement: climbing

Suitable

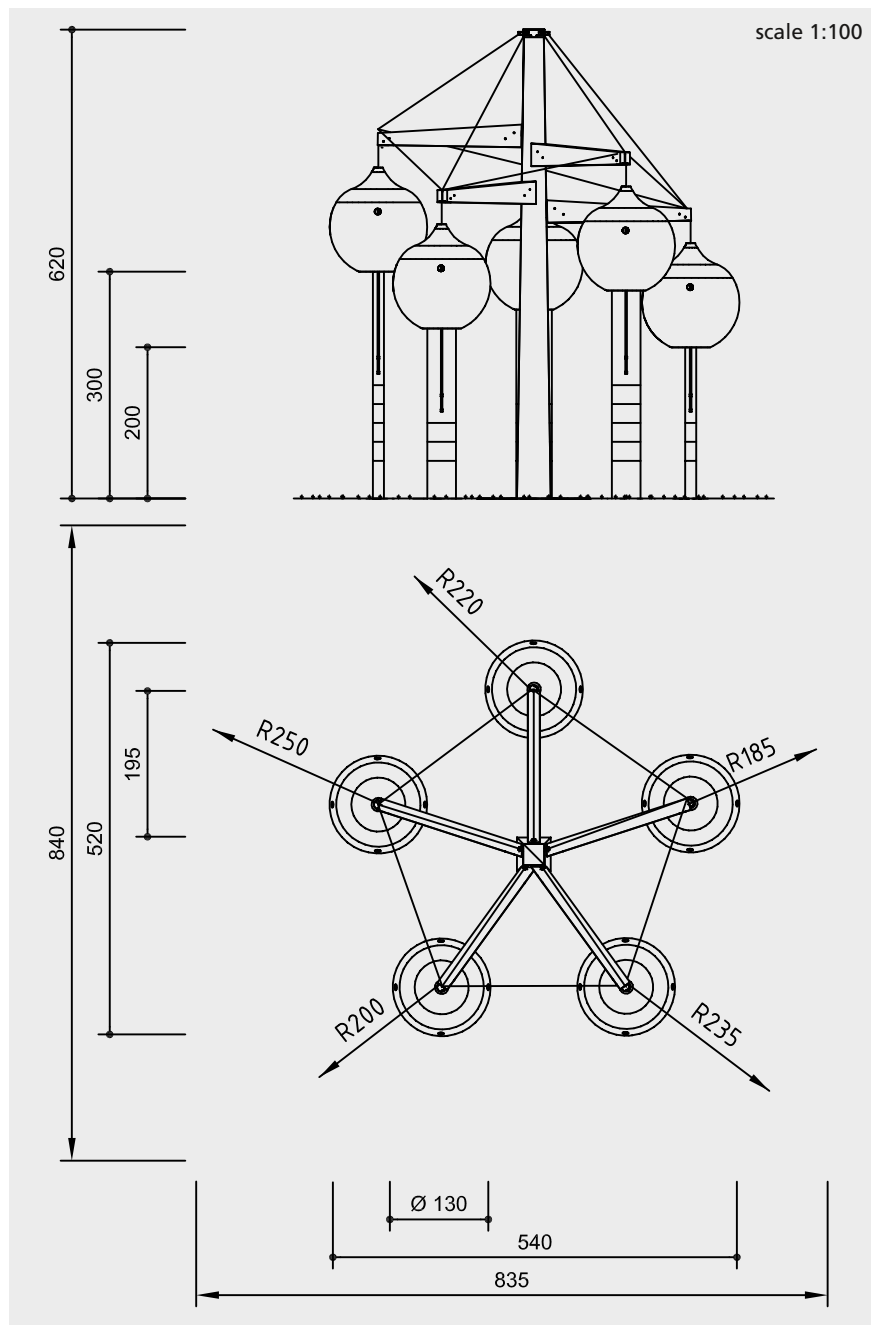
- for children from 10 years and young people
- for public playgrounds
outdoor swimming pools
leisure areas
school playgrounds



Science Fiction Town



8.80500



Safety check according to EN 1176 and „safety in another way“

Components

1 middle mast with 5 arms and 5 gondolas complete with all unbendings, joints and ascents

Installation information

Surfacing requirements corresponding to a fall height of ≤ 3.00 m (please refer to price list for more detailed information)

Foundations

1 item 150 x 150 x 160 cm excavation depth 180 cm
5 items 30 x 60 x 60 cm excavation depth 80 cm

Attention:

Exact measurements may vary, for all installation dimensions refer to current installation instructions.

Technical changes reserved.

Technical information

laminated beams

centre mast and horizontal beams of laminated spruce, laminated according to DIN 1052, centre mast 50 x 50 cm at the base reducing to 30 x 30 cm at the top, horizontal beams from 16 x 30 cm to 16 x 16 cm



Corocord® rope

special ropes of "Hercules type"
Climbing ladders and climbing ropes of 19 mm six-strand Corocord® rope of the special "Hercules type", abrasion protected through heating of the six steel strands and melting the polyamide sleeve onto them; standard colour climbing ladders red, climbing ropes rainbow



aluminium swages

double-conical aluminium swages with rounded-off ends



S-clamps

neatly rounded Corocord®S-clamps made of stainless steel, Ø 8 mm



rope connection rotating

close fitting connection without dangerous openings, with integrated swivel, the bearing consists of one brass bush



all steel parts hot-dip galvanised

gondolas made of GFK, self extinguishing, suspended on universal joints, standard colour: green, other colours on request

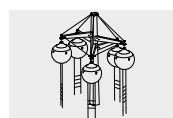
bracings of galvanised steel ropes, Ø 10 mm

Dimensions

(small deviations possible)

height	6.20 m
maximum width	5.40 m
diameter of gondolas	1.30 m
gondolas entrance height	2.00 - 3.00 m
weight	1500 kg

For more detailed explanation of the quality characteristics see price list.



8.80500

Play value

Our Mini-Kado already inspires attention and interest from a long way away. It is an attractive eye-catcher as well as an exciting climbing course. Like the classic "Mikado" game, the coloured sticks are strewn around singly, densely, crosswise or stacked on the play area. This results in simple, rigid combinations as well as jumbled, movable combinations that, together with nets, ropes and platforms, simply invite you to climb and balance on them.



Fundamental characteristics

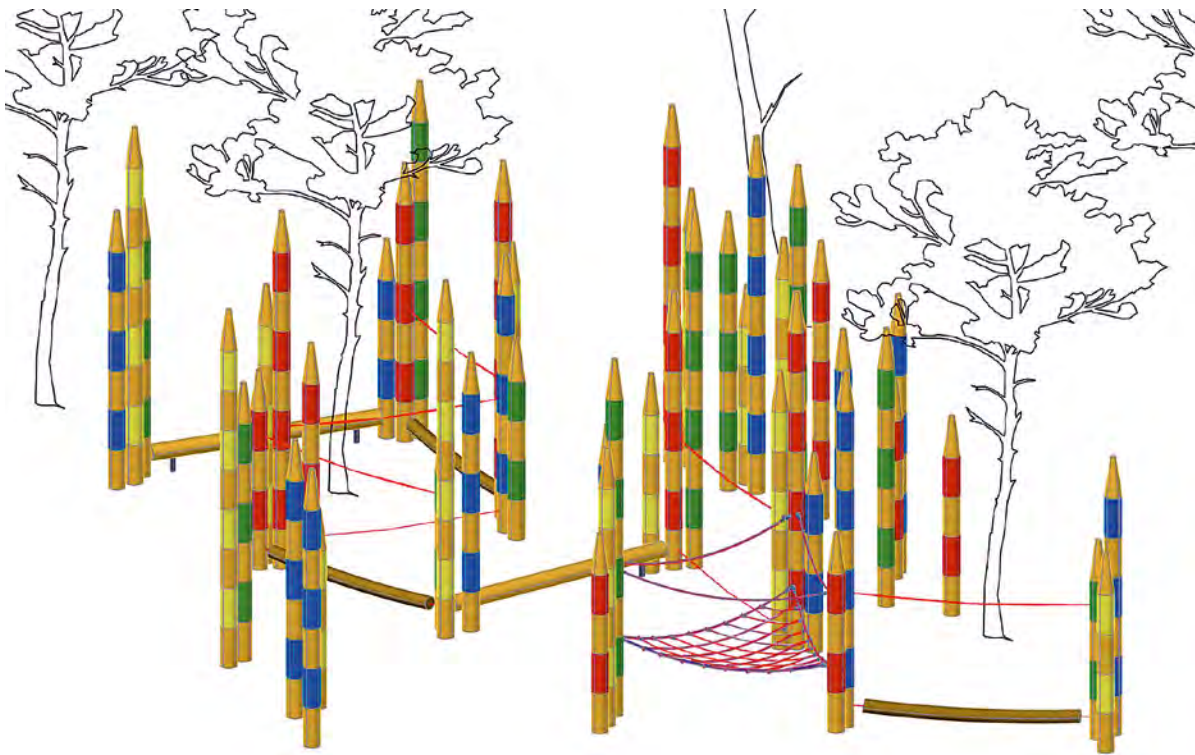
- impressive design statement
- very special appeal
- eye-catcher of a play area
- attractive meeting point
- incentive for playing: curiosity, role-playing games, experiencing height
- exercise activity: climbing up and around, balancing

Suitable

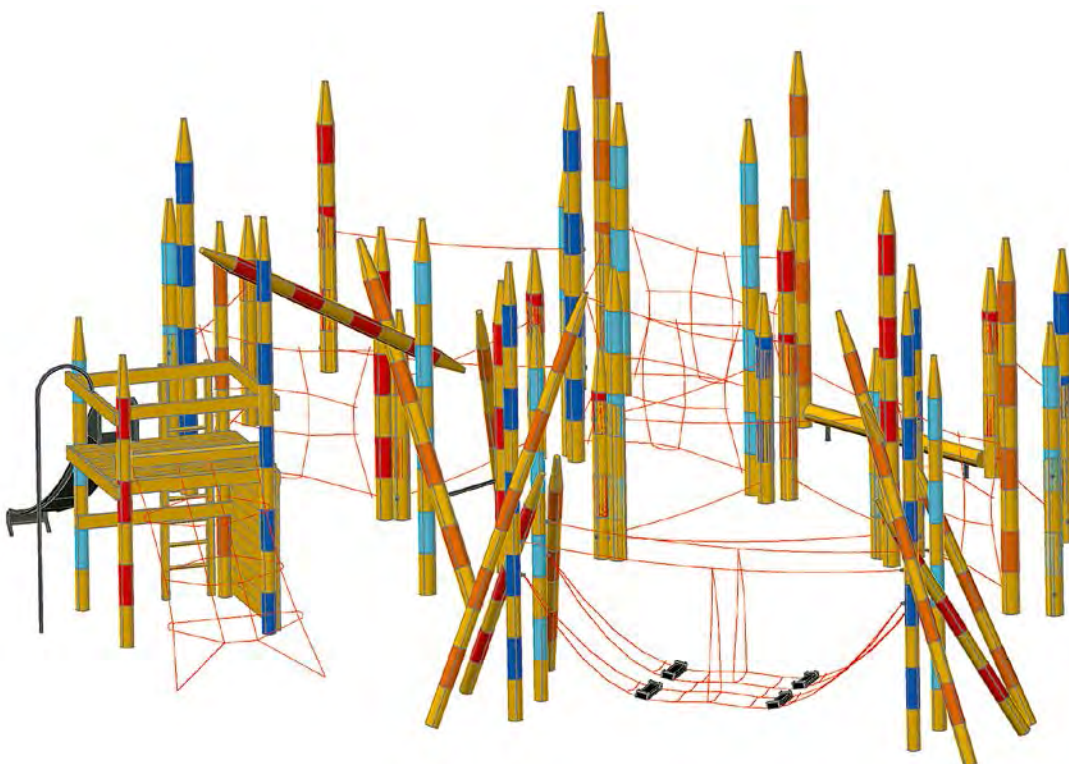
- for children from 6 years and young people
- for public playgrounds
- parks
- exhibitions
- leisure parks

Mini-Kado





Combination examples



Copyright © Richter Spielgeräte GmbH 10/15

Design: keilbach design

Play value

Little York is a particularly exciting world of experience. The special wood system in a modular design is supported by a steel core. The lower viewing platform can be reached via a ladder or a climbing net. The second level features a tunnel slide and serves as a cubby hole to retreat to, making it perfect for various role-playing games. Its futuristic architecture makes this play city into a highly visible and very appealing play space.

Fundamental characteristics

- impressive design statement
- very special appeal
- eye-catcher of a play area
- attractive meeting point
- incentive for playing: curiosity, role-playing games, experiencing height, hiding
- exercise activity: climbing up and around, sliding

Suitable

- for children from 6 years and young people
- for public playgrounds
- recreational parks
- exhibitions
- leisure parks

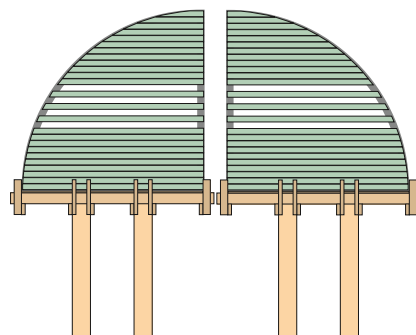
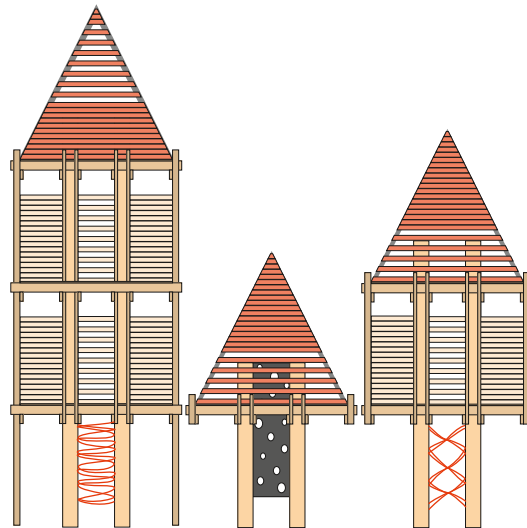
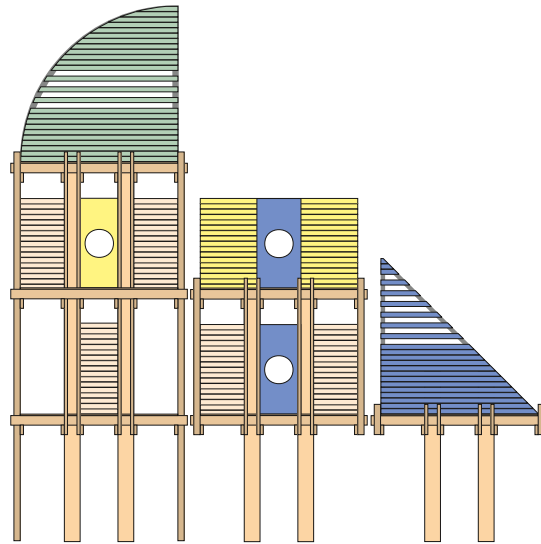


Photos by Daniel Perales

Little York



Combination examples



Play value

Our Giant Elephant can be seen from a long way away. The large animal is an impressive example of play space design. Small and big children immediately recognise the elephant and want to explore the life within. A large play area with net is situated in the body, which invites them to hide away and engage in role-playing games. The tunnel slide in the trunk allows a quick getaway to the ground.



custom-made design with coloured castle



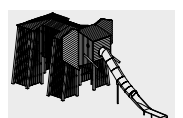
Fundamental characteristics

- impressive design statement
- very special appeal
- eye-catcher of a play area
- attractive meeting point
- large play area underneath the platform
- incentive for playing: curiosity, role-playing games, experiencing height, hiding
- movement: climbing up and around, observing, sliding

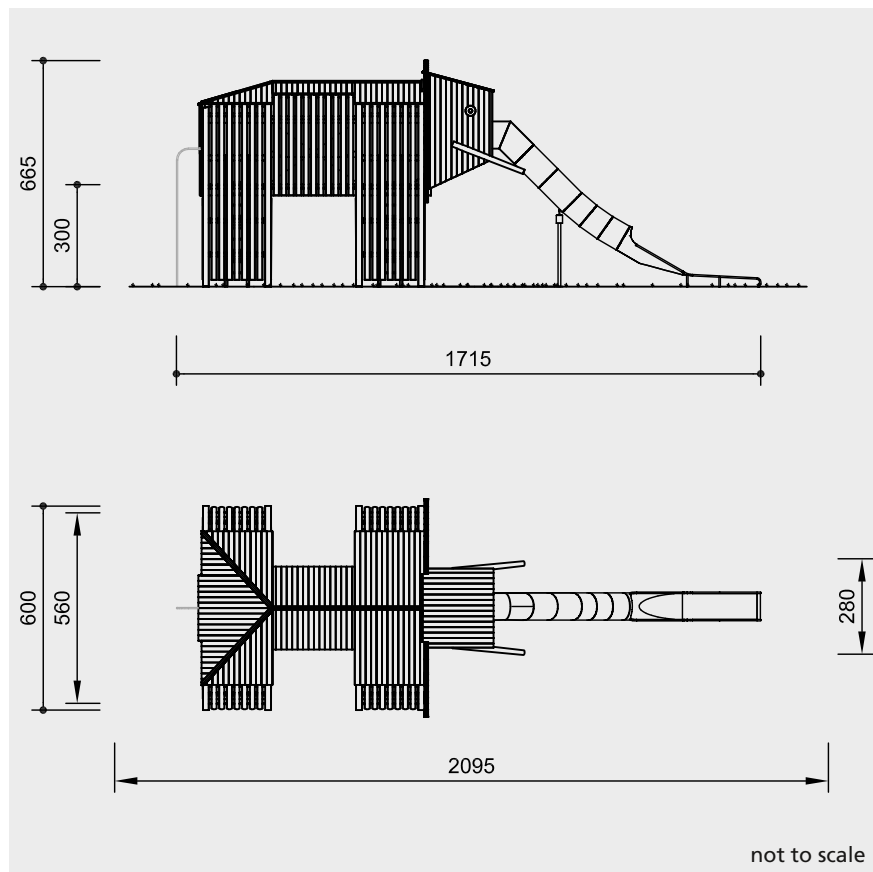
Giant Elephant
with Tunnel Slide

Suitable

- for children from 6 years and young people
- for public playgrounds
parks
exhibitions
leisure parks



8.76000



Safety check according to EN 1176

Components

- 1 giant elephant with 4 ladders
- 1 tunnel slide
- 1 horizontal net approx. 2.20 x 1.70 m
- 1 bent fireman's pole

Installation information

Surfacing requirements corresponding to a fall height of ≤ 3.00 m (please refer to price list for more detailed information)

Foundations

Giant Elephant

4 items 300 x 300 x 60 cm excavation depth 100 cm to be steel-reinforced on site (not included)

Tunnel Slide

3 items 100 x 50 x 40 cm excavation depth 80 cm
1 item 80 x 80 x 40 cm excavation depth 80 cm

Firemen's Pole

1 item 40 x 40 x 30 cm excavation depth 70 cm

Attention:

Exact measurements may vary, for all installation dimensions refer to current installation instructions.
Technical changes reserved.

Technical information

equipment of non-impregnated mountain larch

stand posts of square timber 18/18 cm (not core-free)

high-quality carpentry joints

core-free

sawn timbers core-free, thus decreasing occurrences of cracking



claddings

thickness 4 - 5 cm, de-barked by hand



tongue and groove

platform made of 40 mm tongue and groove boarding



hardwood rungs

climbing rungs of hardwood, milled and mortised, Ø 42 mm



Corocord® rope

special ropes of "Hercules type"
net of 19 mm six-strand Corocord® rope of the special "Hercules type", abrasion-protected through heating of the six steel strands and melting the polyamide sleeve onto them, standard colour red



aluminium swages

double-conical aluminium swages with rounded-off ends



S-clamps

neatly rounded Corocord® S-clamps made of stainless steel, Ø 8 mm



ground anchor

all parts used for anchoring to the ground made of hot-dip galvanised steel



fittings hot-dip galvanised

firemen's pole made of stainless steel, glass bead blasted

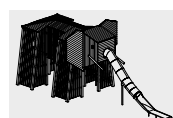
tunnel slide made of stainless steel, slide walls glass bead blasted

Dimensions

(small deviations possible)

height	6.65 m
length	17.15 m
width	6.00 m
weight	on request

Please refer to the price list for a more detailed explanation of the quality characteristics.



8.76000

Play value

The Timberwood Tangle is a construction of long trunks standing around as if collected by chance. The trunks lie, hang or stand more or less even on the play area, they have interconnections and create a dynamic structuring of the area. Depending on their self-confidence and on their degree of self-perception, the climbers can climb up high or stay near the ground. Different offers for play and movement deepen the attraction of the installation.



stand posts for swinging beams made of robinia



The Timberwood Tangle promotes physical skill, perception of body and space. It strengthens the self-confidence of children who take and master the challenge according to their feelings.

Fundamental characteristics

- natural posts
- no pre-determined use, individual mastering and use
- incentive for playing: strong, challenging construction
- movement: climbing, balancing, doing exercise, swinging

Suitable

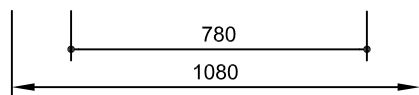
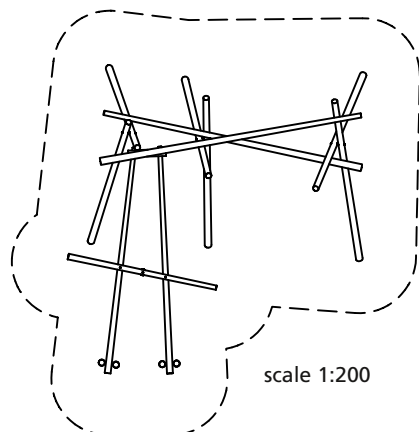
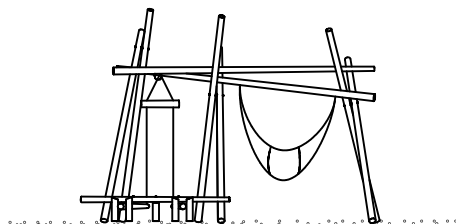
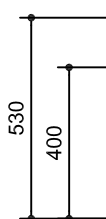
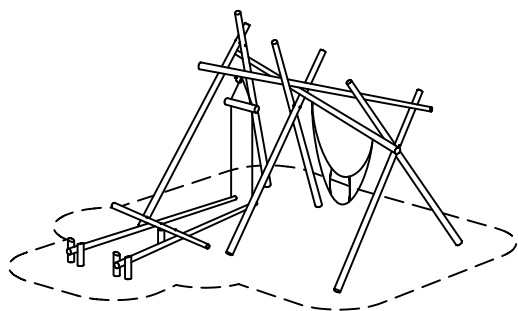
- for children from 6 years and young people
- only for supervised areas of schools, youth centres, sports grounds, leisure areas, parks

Timberwood Tangle
Type 1



6.50000

Timberwood Tangle Type 1
Order No. 6.50000



Technical information

de-barked posts

de-barked posts, Ø 16 - 18 cm, of non-impregnated mountain larch, stand posts for swinging beams made of robinia



Corocord® rope

special ropes of "Hercules type"
 six-strand Corocord® rope of the special "Hercules type", abrasion protected through heating of the six steel strands and melting the polyamide sleeve onto them, standard colour natural



aluminium swages

double-conical aluminium swages with rounded-off ends



S-clamps

rounded Corocord® S-clamps made of stainless steel, Ø 8 mm



swing joint

drop-forged and hot-dip galvanised swing joint with bush with graphite sleeve for self-lubrication and integrated swivel



concealed head

large surface for pressure distribution, prevents water from getting inside, protects the bolt head



adjustable

no projecting threads after re-tightening due to two-piece bolt connection and therefore easy to maintain



ground anchor

parts used for anchoring to the ground made of hot-dip galvanised steel, standposts of swinging beams, however, are made of robinia wood without steel feet



distance fitting

to avoid entrapment of cords



For more detailed explanation of the quality characteristics see price list.

Subject to technical changes. Safety check according to EN 1176 and 'safety in another way'

Components

pre-fabricated support frames with steel feet
 posts
 stand posts for swinging beams made of robinia
 suspended rope construction
 monkey swing fittings

Installation information

Surfacing requirements corresponding to a fall height of ≤ 3.00 m (please refer to price list for more detailed information)

Foundations
 4 items 80 x 80 x 60 cm excavation depth 80 cm
 5 items 80 x 100 x 60 cm excavation depth 80 cm

Dimensions

(small deviations possible)

height 5.30 m
 length 7.80 m
 width 8.20 m

Required space 10.80 x 11.20 m



6.50000

Note

The climbing structure is an individual construction which is only partly pre-assembled in our workshop. Therefore, the installation needs to be carried out by an installation company authorised by us. Technical changes reserved.

Play value

The Timberwood Tangle is a construction of long trunks standing around as if collected by chance. The trunks lie, hang or stand more or less even on the play area, they have interconnections and create a dynamic structuring of the area. Depending on their self-confidence and on their degree of self-perception, the climbers can climb up high or stay near the ground. Different offers for play and movement deepen the attraction of the installation.



The Timberwood Tangle promotes physical skill, perception of body and space. It strengthens the self-confidence of children who take and master the challenge according to their feelings.

Timberwood Tangle
Type 2

Fundamental characteristics

- natural, strong posts
- no pre-determined use, individual mastering and use
- incentive for playing: strong, challenging construction
- movement: climbing, balancing, doing exercise, swinging back and forth

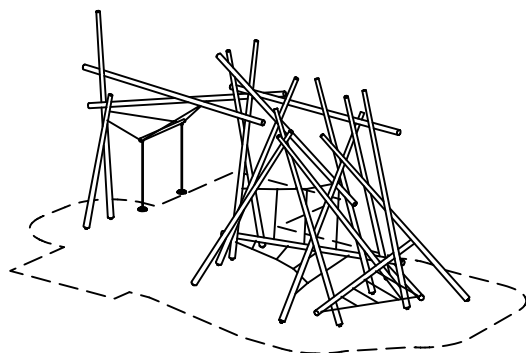
Suitable

- for children from 6 years and young people
- only for supervised areas of schools, youth centres, sports grounds, leisure areas, parks

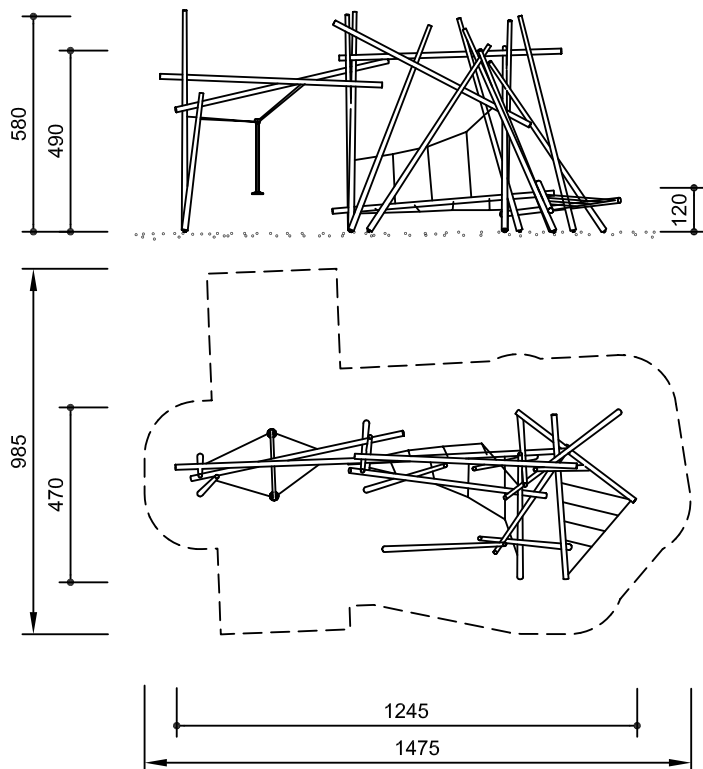


6.50020

Timberwood Tangle Type 2
Order No. 6.50020



scale 1:200



Subject to technical changes. Safety check according to EN 1176 and 'safety in another way'

Components

- pre-fabricated support frames
- with steel feet
- stand posts with steel feet
- posts
- see-saw swing with 2 pendulum seats
- nets
- fittings



6.50020

Installation information

Surfacing requirements corresponding to a fall height of ≤ 3.00 m (please refer to price list for more detailed information)

- Foundations**
- 3 items 80 x 80 x 60 cm
 - 2 items 100 x 100 x 60 cm
 - 1 item 80 x 180 x 60 cm
 - 4 items 80 x 100 x 60 cm
 - 1 item 80 x 130 x 60 cm
 - excavation depth 80 cm each

Technical information

de-barked posts

de-barked posts, \varnothing 16 - 18 cm, of non-impregnated mountain larch



Corocord® rope

special ropes of "Hercules type"

six-strand Corocord® rope of the special "Hercules type", abrasion protected through heating of the six steel strands and melting the polyamide sleeve onto them, standard colour natural



aluminium swages

double-conical aluminium swages with rounded-off ends



S-clamps

rounded Corocord® S-clamps made of stainless steel, \varnothing 8 mm



swing joint

drop-forged and hot-dip galvanised swing joint with bush with graphite sleeve for self-lubrication and integrated swivel



concealed head

large surface for pressure distribution, prevents water from getting inside, protects the bolt head



adjustable

no projecting threads after re-tightening due to two-piece bolt connection and therefore easy to maintain



ground anchor

all parts used for anchoring to the ground made of hot-dip galvanised steel



distance fitting

to avoid entrapment of cords



pendulum seat

with large rubber surface, with a soft, protecting edge and steel insert



chains

suspended on hose-sleeved, short-link chains, 6 mm, welded before hot-dip galvanisation (stainless steel chains available on request)



Dimensions

(small deviations possible)

height	5.80 m
length	12.45 m
width	4.70 m

Required space 14.75 x 9.85 m

Note

The climbing structure is an individual construction which is only partly pre-assembled in our workshop. Therefore, the installation needs to be carried out by an installation company authorised by us.

Technical changes reserved.

For more detailed explanation of the quality characteristics see price list.

Play value

The Timberwood Tangle is a construction of long trunks standing around as if collected by chance. The trunks lie, hang or stand more or less even on the play area, they have interconnections and create a dynamic structuring of the area. Depending on their self-confidence and on their degree of self-perception, the climbers can climb up high or stay near the ground. Different offers for play and movement deepen the attraction of the installation.



The Timberwood Tangle promotes physical skill, perception of body and space. It strengthens the self-confidence of children who take and master the challenge according to their feelings.

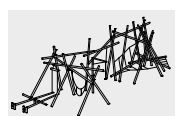
Timberwood Tangle
Type 3

Fundamental characteristics

- natural, strong posts
- no pre-determined use, individual mastering and use
- incentive for playing: strong, challenging construction
- movement: climbing, balancing, doing exercise, oscillating, swinging

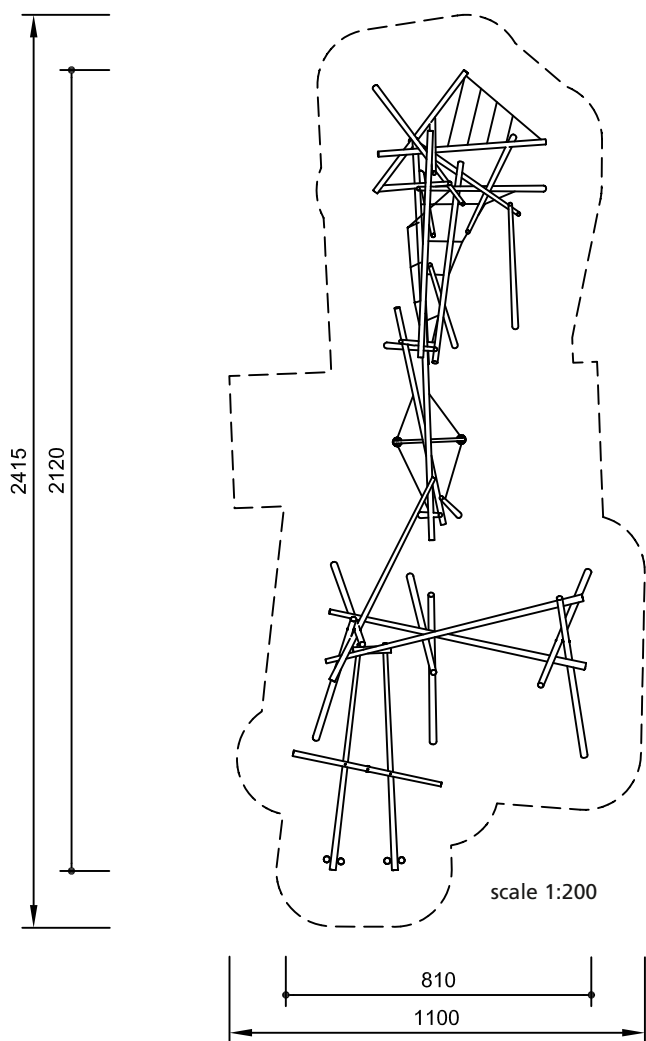
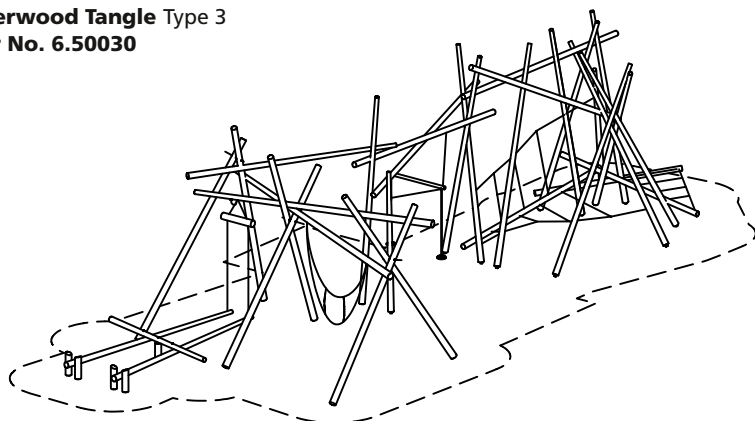
Suitable

- for children from 6 years and young people
- only for supervised areas of schools, youth centres, sports grounds, leisure areas, parks



6.50030

Timberwood Tangle Type 3
Order No. 6.50030



Technical information

de-barked posts

de-barked posts, Ø 16 - 18 cm, of non-impregnated mountain larch



Corocord® rope

special ropes of "Hercules type"

six-strand Corocord® rope of the special "Hercules type", abrasion protected through heating of the six steel strands and melting the polyamide sleeve onto them, standard colour natural



aluminium swages

double-conical aluminium swages with rounded-off ends



S-clamps

rounded Corocord® S-clamps made of stainless steel, Ø 8 mm



swing joint

drop-forged and hot-dip galvanised swing joint with bush with graphite sleeve for self-lubrication and integrated swivel



concealed head

large surface for pressure distribution, prevents water from getting inside, protects the bolt head



adjustable

no projecting threads after re-tightening due to two-piece bolt connection and therefore easy to maintain



ground anchor

parts used for anchoring to the ground made of hot-dip galvanised steel, standposts of swinging beams, however, are made of robinia wood without steel feet



distance fitting

to avoid entrapment of cords



pendulum seat

with large rubber surface, with a soft, protecting edge and steel insert



chains

suspended on hose-sleeved, short-link chains, 6 mm, welded before hot-dip galvanisation (stainless steel chains available on request)



For more detailed explanation of the quality characteristics see price list.

Subject to technical changes. Safety check according to EN 1176 and 'safety in another way'

Components

- pre-fabricated support frames with steel feet
- stand posts with steel feet
- stand posts for swinging beams posts
- suspended rope construction
- see-saw swing with 2 pendulum seats
- nets
- monkey swing
- fittings



6.50030

Installation information

Surfacing requirements corresponding to a fall height of ≤ 3.00 m (please refer to price list for more detailed information)

Foundations

- 7 items 80 x 80 x 60 cm
- 2 items 100 x 100 x 60 cm
- 1 item 80 x 180 x 60 cm
- 9 items 80 x 100 x 60 cm
- 1 item 80 x 130 x 60 cm
- excavation depth 80 cm each

Dimensions

(small deviations possible)

height	5.80 m
length	8.10 m
width	21.20 m

Required space 11.00 x 24.15 m

Note

The climbing structure is an individual construction which is only partly pre-assembled in our workshop. Therefore, the installation needs to be carried out by an installation company authorised by us.

Technical changes reserved.

Play value

This unusual play equipment has a strong artistic expressive character due to the lively design and the graphical effect of the layout of handrails and ramps. It is suitable to be the centre-piece of a wide play area. Children are fascinated by the construction with its higgledy-piggledy small spaces and different levels where one is lying on top or below the other and which cannot be understood at first glance. The multitude of ramps invites children to run and jump on them; it is great fun to play tag or hide and seek in a very special way.



Fundamental characteristics

- appealing design
strong artistic expressive character
attractive meeting point
- incentive for playing: playing tag or
hide and seek
- movement: running, jumping, climbing

Ramp Labyrinth

Suitable

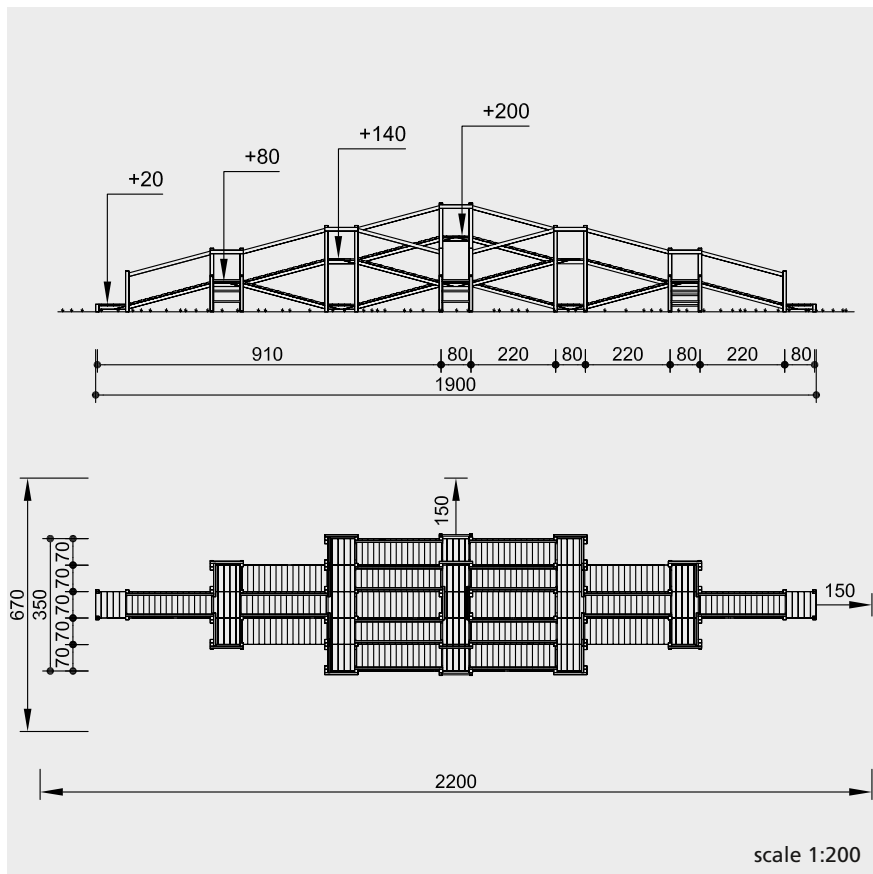
- for children from 5 years
- for public playgrounds
leisure grounds
excursion areas
school playgrounds

Copyright © Richter Spielgeräte GmbH 10/15

Design G. Beltzig



8.95100



Safety check according to EN 1176 and „safety in another way“

Components

- 22 ramps 0.70 x 2.40 m
- 6 platforms 0.70 x 0.70 m, h = 0.20 m
- 2 platforms 0.70 x 2.10 m, h = 0.80 m
- 1 platform 0.70 x 3.50 m, h = 0.80 m
- 2 platforms 0.70 x 3.50 m, h = 1.40 m
- 1 platform 0.70 x 2.10 m, h = 2.00 m
- 3 ladders up to a height of 0.80 m

Installation information

Surfacing requirements corresponding to a fall height of ≤ 1.50 m (please refer to price list for more detailed information)

Foundations per support post 50 x 50 x 50 cm excavation depth 70 cm

Attention:
Exact measurements may vary, for all installation dimensions refer to current installation instructions.
 Technical changes reserved.

Technical information

equipment of non-impregnated mountain larch

core-free timber
 sawn timbers core-free, by that formation of cracks can be reduced



claddings
 thickness 4 - 5 cm, de-barked by hand



tongue and groove
 platform boards of 40 mm tongue and groove boarding



hardwood rungs
 climbing rungs of hardwood, milled and mortised, Ø 42 mm



concealed head
 large surface for pressure distribution, prevents water from getting inside, protects the bolt head



adjustable bolts
 no projecting threads after re-tightening due to two-piece bolt connection and therefore easy to maintain



Dimensions

(small deviations possible)

- length of ramps 2.40 m
- width of floor cladding 0.70 m
- lengths of platforms 0.70 to 3.50 m
- width 0.70 m

For more detailed explanation of the quality characteristics see price list.



8.95100

Play value

The versatile Play Block offers a range of different exercise and play activities and is an attractive meeting point for older children and teenagers. The large platform can only be reached through the chimney or the climbing poles, which is a real challenge. Sliding down on the long wave slide is great fun. The climbing wall is a special attraction; children like to test their strength and skills there.



Fundamental characteristics

- attractive meeting point
a range of different exercise and play activities
- incentive for playing: experiencing height, adventure
- exercise activity: climbing, physical effort, sliding, climbing up

Suitable

- for children from 10 years and young people
- for public playgrounds
school playgrounds
outdoor swimming pools

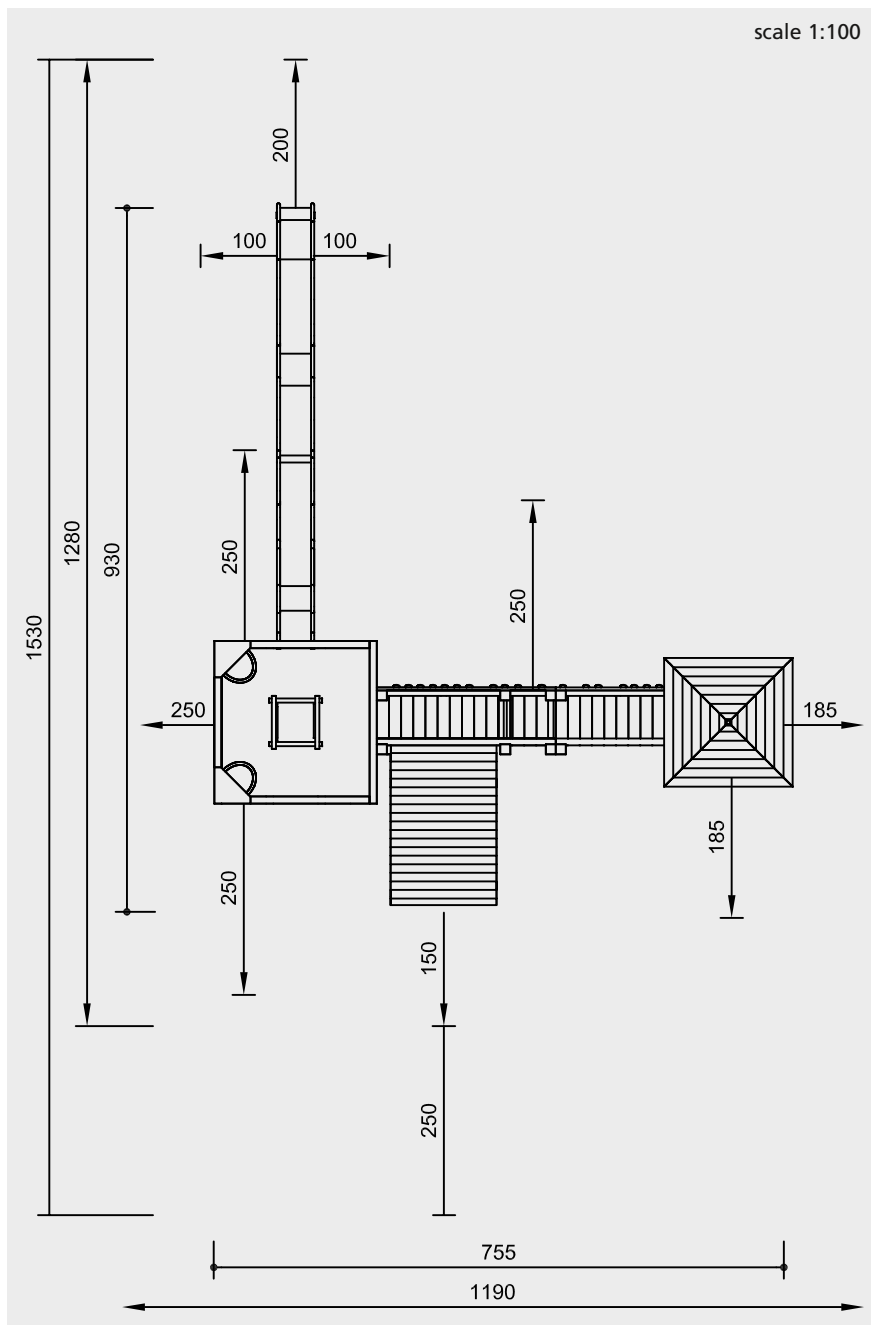
Play Block

© Richter Spielgeräte GmbH 10/15

Design and Copyright



7.78500



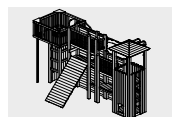
safety check according to EN 1176

Components

- 1 chimney with passageway to platform
- 1 platform 2.15 x 2.15 m
- 2 firemen's pole up to balustrade
- 1 stainless steel slide with 1 wave and higher sides
- Order No 3.63225

- 1 two-part connecting structure with climbing wall
- 1 firemen's pole
- 1 inclined wall
- 1 table
- 1 bench

- 1 square tower with raised roof



7.78500

Installation information

Surfacing requirements corresponding to a fall height of ≤ 3.00 m (please refer to price list for more detailed information)

Foundations

Chimney

- 1 item 130 x 130 x 50 cm excavation depth 70 cm
- 2 items 50 x 50 x 50 cm excavation depth 70 cm

Inclined wall

- 2 items 50 x 50 x 40 cm excavation depth 60 cm

Tower

- 4 items 50 x 50 x 55 cm excavation depth 75 cm

Play block modules

- 4 items 50 x 120 x 60 cm excavation depth 80 cm

Slide

- 1 item 30 x 70 x 30 cm excavation depth 70 cm

Technical information

equipment of non-impregnated mountain larch

core-free

sawn timbers core-free, thus decreasing occurrences of cracking



claddings

thickness 4 - 5 cm, de-barked by hand



tongue and groove

platform floors, chimney and covering of inclined wall made of 40 mm tongue and groove boarding



hardwood rungs

climbing rungs of hardwood, milled and mortised, Ø 42 mm



ground anchor

all parts used for anchoring to the ground made of hot-dip galvanised steel



Tower, refer to Order No. 3.20600

firemen's pole of stainless steel, Ø 42 mm, glass bead blasted

total construction of slides made of stainless steel with a 2-mm-thick sliding surface with higher glass-bead-blasted sides

professional climbing grips made of a mixture of sand/synthetic resin with anti-rotation system against unintended twisting of the grips

Dimensions

(small deviations possible)

Chimney Slide

height	3.95 m
floor height	3.00 m
floor size	2.15 x 2.15 m
tower height	4.50 m
floor heights	0.20 m
	1.05 m
	2.00 m

connecting walkway	4.00 x 1.00 m
inclined wall	install. height 2.00 m
stainless steel slide	install. height 3.00 m
	width 0.45 m

Attention:

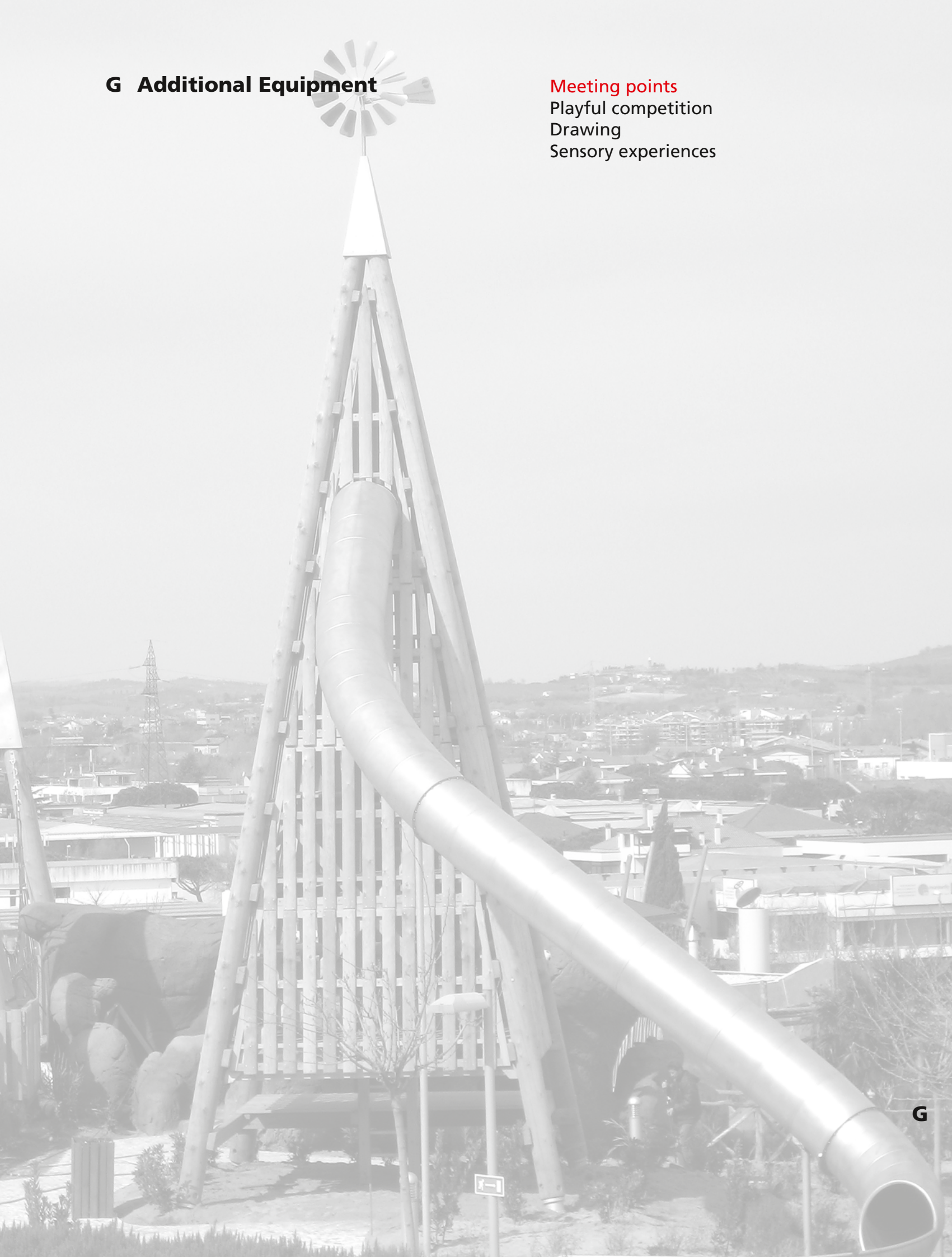
Exact measurements may vary; for all installation dimensions refer to current assembly instructions.

Technical changes reserved.

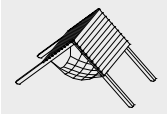
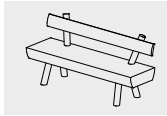
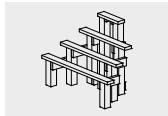
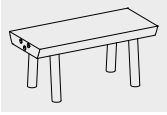


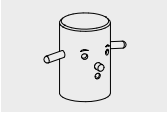


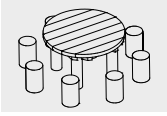
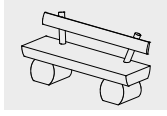

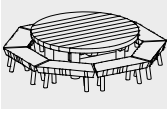
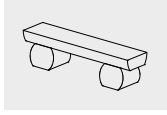


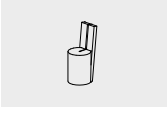
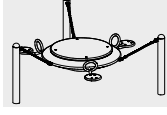

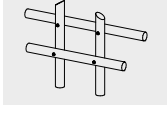
Please refer to the price list for a more detailed explanation of the quality characteristics.

G Additional Equipment

Meeting points
Playful competition
Drawing
Sensory experiences



G 1 Meeting points

Order No. Item	page	Order No. Item	page	Order No. Item	page
 4.19000 Rope Nest	571	 9.20000 Bench with Back	577	 4.40870 Sitting Steps	583
 4.24170 Play Table	573	 9.22000 Bench without Back	577	 7.81000 Town Box	585
 4.24200 Trunk Seat	573	 9.21000 Table	577	 7.82000 Shelter	587
 4.35050 Toddler's Table with 8 Stools	573	 9.30000 Bench on Round Trunk with Back	577	 7.82300 Meeting House with Seating Circle	587
 4.35000 Round Table with 8 Benches	575	 9.31000 Bench on Round Trunk without Back	577		
 4.40000 Round Table	575	 9.70000 Waste Bin	577		
 4.40050 Stool with Back	575	 9.55000 Swinging Table	579		
 4.40051 Stool without Back	575	 7.85000 ff. Sitting Fence	581		

Play value

The roof protects a small rope structure in which children can sit or lie together. A slight relaxing movement of the net can be achieved while the children chat. The rope nest is a small meeting place where children can come to find seclusion.



Fundamental characteristics

- child proportions according to ergonomic knowledge
- shelter
- nicely shaped rope nest made of Corocord® rope

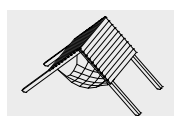
Rope Nest

Suitable

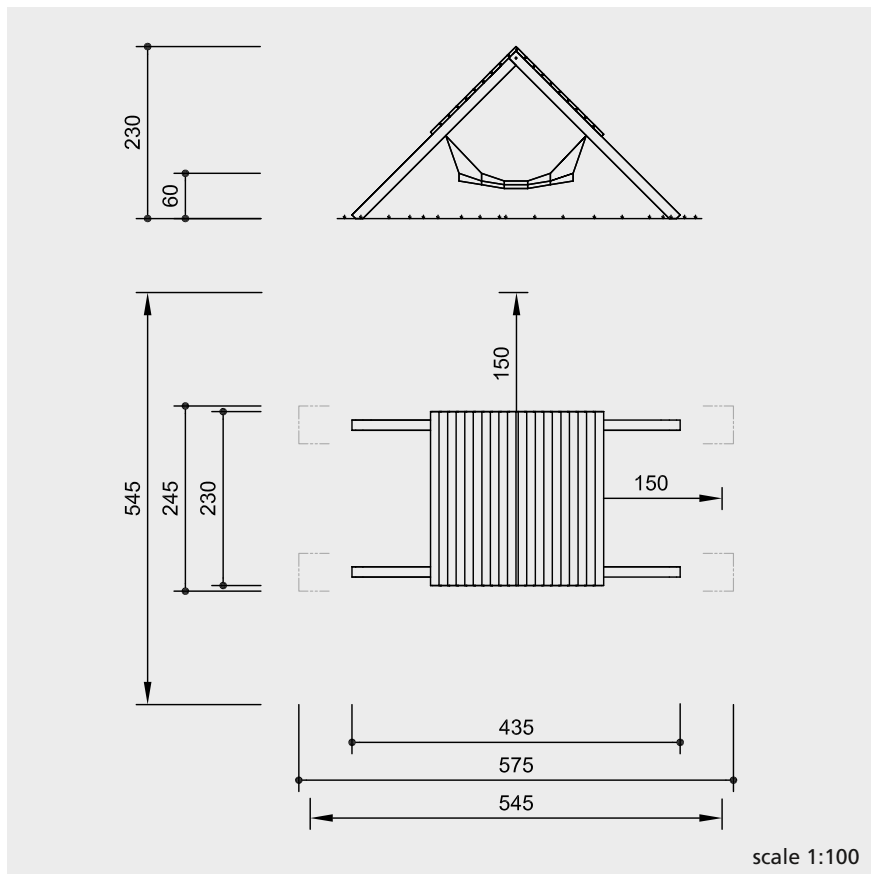
- for older than, but also suitable for children under 3 years
- for public playgrounds
- playgrounds situated near houses
- nurseries
- children's homes
- therapy institutions for children
- school playgrounds

Copyright © Richter Spielgeräte GmbH 10/15

Design G. Beltzig



4.19000



Safety check according to EN 1176

Components

- 1 two-part roof construction
- 1 rope nest with suspension

Installation information

Surfacing requirements corresponding to a fall height of $\leq 0,60$ m (please refer to price list for more detailed information)

Foundations
4 items 50 x 80 x 60 cm
excavation depth 80 cm

Attention:
Exact measurements may vary, for all installation dimensions refer to current installation instructions.

Technical changes reserved.

Technical information

equipment of non-impregnated mountain larch

core-free

sawn timbers core-free, by that formation of cracks can be reduced, support posts of square timber 14/14 cm



tongue and groove

roof of 40 mm tongue and groove boards



Corocord® rope

special ropes of "Hercules type" rope nest of 19 mm Corocord® rope of the special "Hercules type", abrasion protected through heating of the six steel strands and melting the polyamide sleeve onto them, standard colour red



aluminium swages

double-conical aluminium swages with rounded-off ends



S-clamps

neatly rounded Corocord®S-clamps made of stainless steel, \varnothing 8 mm



ground anchor

all parts used for anchoring to the ground made of hot-dip galvanised steel



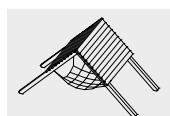
fittings hot-dip galvanised

Dimensions

(small deviations possible)

height	2.30 m
length	4.35 m
width	2.30 m
weight	400 kg

For more detailed explanation of the quality characteristics see price list.



4.19000

Play value

Children love seats that are intended just for them. They use them either according to their original function, or they attribute a new meaning to them depending on what they are playing. Children like to sit down anywhere they are allowed to; they prefer unusual seating such as the Trunk Seat with face. The Toddler's Table promotes communication and can also serve at the same time as a meeting point for an outside facility.

Fundamental characteristics

- natural wooden surface that appeals to the senses
- harmonic design

Suitable

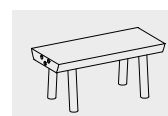
- for small children's areas of:
 - public playgrounds
 - play spaces situated near houses
 - kindergartens
 - parks
- for day nurseries



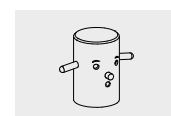
Order No. 4.24170 Play Table Order No. 4.24200 Trunk Seat



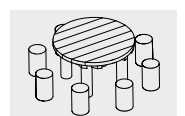
**Play Table
Trunk Seat
Toddler's Table with 8 Stools**



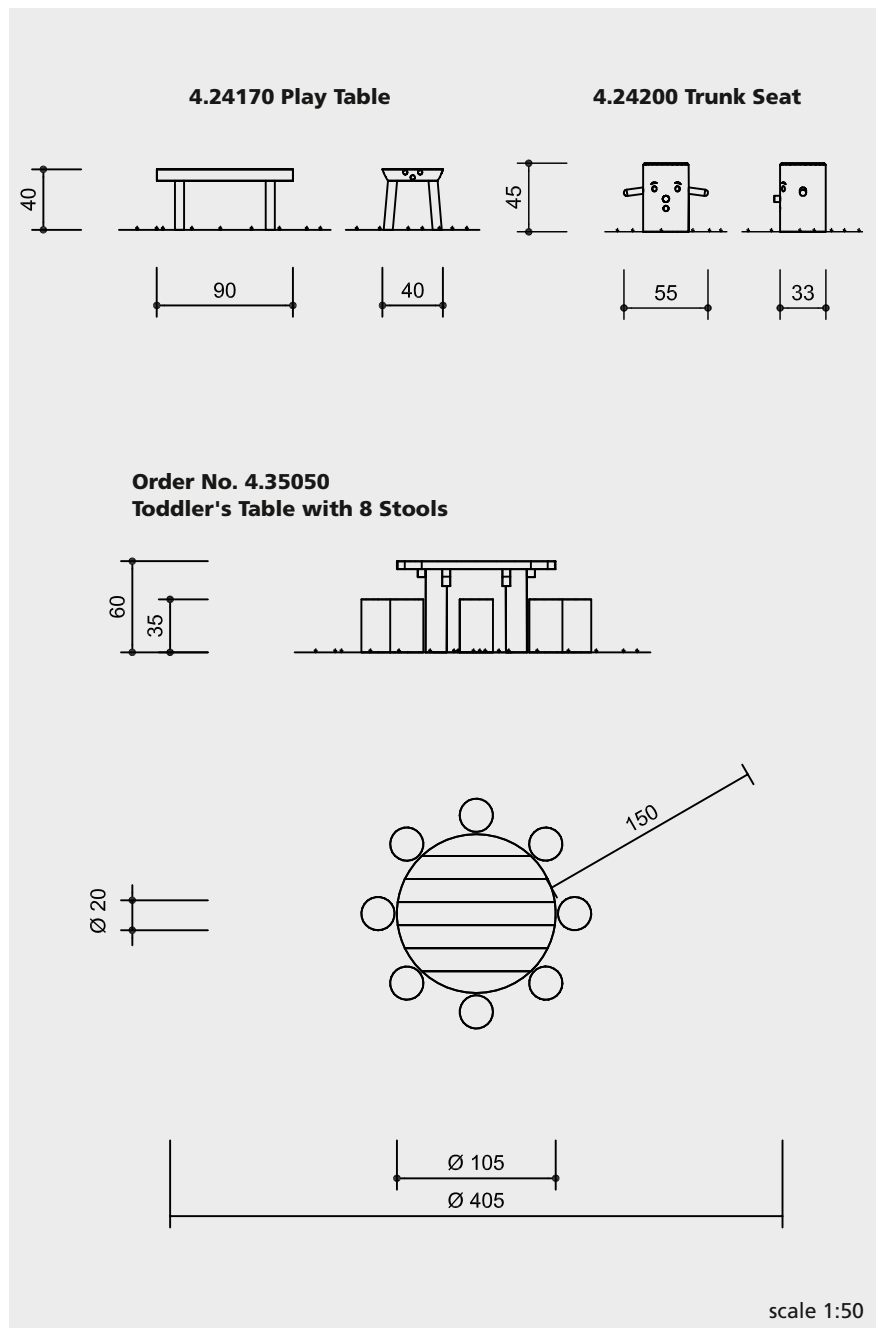
4.24170



4.24200



4.35050



safety check according to EN 1176

Components

Order No. 4.24170
1 play table

Order No. 4.24200
1 trunk seat

Order No. 4.35050
1 round table with 2 foundation irons
8 stools with 1 threaded rod each

Installation information

Surfacing requirements
no requirements

Foundations
(only necessary in order to immobilise the equipment)

Order No. 4.35050
Table
2 items 20 x 20 x 30 cm
excavation depth 50 cm
Stool
8 items 20 x 20 x 30 cm
excavation depth 50 cm

Technical information

equipment of non-impregnated mountain larch

Order No. 4.24170 Play Table

core-free timber
play table made of 10 cm undressed boards, core-free, thus decreasing occurrences of cracking



Order No. 4.24200 Trunk Seat

de-barked
trunk seat de-barked



Order No. 4.35050 Toddler's Table with 8 Stools

de-barked
stools de-barked



core-free timber
sawn timbers core-free, thus decreasing occurrences of cracking



ground anchor
all parts used for anchoring to the ground made of hot-dip galvanised steel



Dimensions

(small deviations possible)

Order No. 4.24170 Play Table
length 0.90 m
height 0.40 m
weight 35 kg

Order No. 4.24200 Trunk Seat
diameter 0.33 m
with ears 0.55 m
height 0.45 m
weight 25 kg

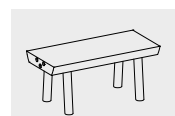
Order No. 4.35050 Toddler's Table with 8 Stools

Table
height 0.60 m
diameter 1.05 m
weight 125 kg

Stool
height 0.35 m
diameter 0.20 m
weight 10 kg

Attention:
Exact measurements may vary; for all installation dimensions refer to current installation instructions.
Technical changes reserved.

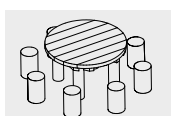
Please refer to the price list for a more detailed explanation of the quality characteristics.



4.24170



4.24200



4.35050

Play value

Children love furniture which is provided especially for them. They prefer unusual seating which they can also use for play activities. The Round Table with 8 Benches encourages communication, and, at the same time, it can be the focal point of an outdoor area. A round table, even a small one, encourages common activities. It allows people to look at each other, thus making it easier to develop a community spirit.



Order No. 4.24200 Trunk Seat/Order No. 4.40000 Round Table/4.40050 Stool with Back



Fundamental characteristics

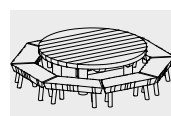
- wooden surface which appeals to the senses
- agreeable design

Suitable

- for older than, but also suitable for children under 3 years
- for all playgrounds and leisure areas

Round Table with 8 Benches

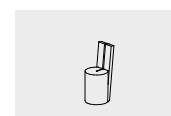
- Round Table**
- Stool with Back**
- Stool without Back**



4.35000



4.40000

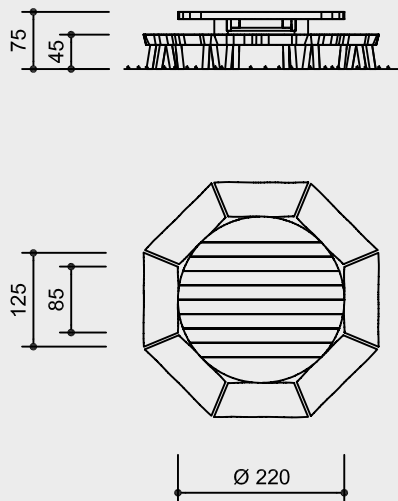


4.40050

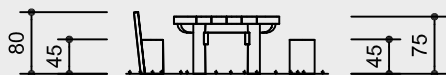


4.40051

Order No. 4.35000
Round Table with
8 Benches



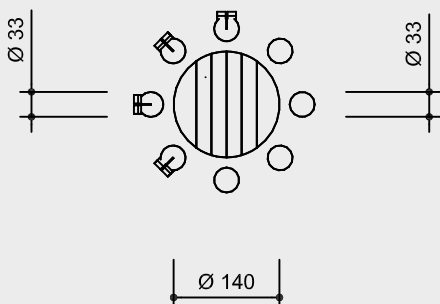
Order No. 4.40000
Round Table



Order No. 4.40050
Stool with Back

Example with 8 Stools

Order No. 4.40051
Stool without Back



scale 1:100

Safety check according to EN 1176

Components

Order No. 4.35000
 1 Round table top
 1 Frame
 8 Benches

Order No. 4.40000
 1 Round table top
 1 Frame

Order No. 4.40050
 1 Stool with Back
 2 foundation irons, attached

Order No. 4.40051
 1 Stool without Back
 2 foundation irons, attached

Installation information

Surfacing requirements
 no requirements

Foundations
 only necessary to immobilise the
 equipment
 per foundation iron 20 x 20 x 30 cm
 excavation depth 50 cm

Attention:
Exact measurements may vary, for
all installation dimensions refer to
current installation instructions.
 Technical changes reserved.

Technical information

all equipment of non-impregnated
 mountain larch

de-barked
 stools de-barked



core-free
 sawn timbers core-free, by that
 formation of cracks can be reduced



ground anchor
 foundation irons of the stools
 of hot-dip galvanised steel



table tops of 10 cm thick boards,
 connected by additional hardwood
 tongue boards

Dimensions
 (small deviations possible)

Order No. 4.35000
Round Table with 8 Benches
Table

diameter 2.20 m
 height 0.75 m
 weight 330 kg

Bench
 length 1.25 m
 seat height 0.45 m
 weight 40 kg each

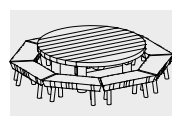
Order No. 4.40000 Round Table

diameter 1.40 m
 height 0.75 m
 weight 175 kg

Order No. 4.40050 Stool with Back
Order No. 4.40051 Stool without
Back

diameter 0.33 m
 seat height 0.45 m
 weight 20/30 kg

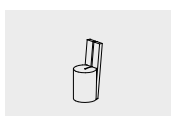
For more detailed explanation of the
 quality characteristics see price list.



4.35000



4.40000



4.40050



4.40051

Play value

Changes between phases of activity and rest are necessary for balanced recreation. This means equipment of both areas and also careful consideration about how rest areas should be designed. Benches and tables can lend an extra ambience to the play area and act as a complementary meeting point.

Fundamental characteristics

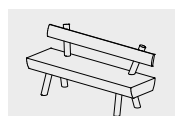
- natural wooden surface for pleasant seating

Suitable

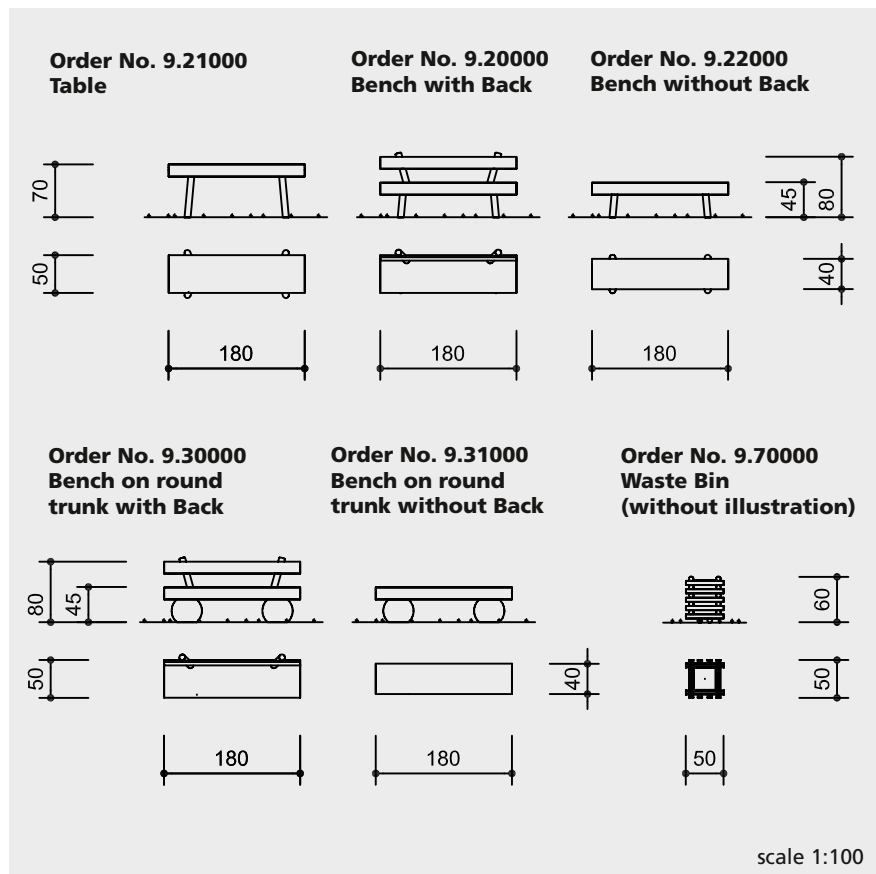
- for all age groups
- for public playgrounds and leisure areas



**Benches
Table**



9.20000 - 9.70000



Safety check according to EN 1176

Components

1 part each

Installation information

Surfacing requirements
no requirements

Foundations
only necessary as anchorage

Attention:
Exact measurements may vary, for all installation dimensions refer to current installation instructions. Technical changes reserved.
Benches and Table also available made of larch.

Technical information

core-free timber

boards and claddings boiler-pressure impregnated according to DIN 68800-3, use class 4



feet of non-impregnated mountain larch, Ø 75 mm

table tops and seat surfaces are of boards, 16 cm thick

Waste Bin of non-impregnated mountain larch, insert of stainless steel, glass bead blasted

Dimensions

(small deviations possible)

Table	
height	0.70 m
length	1.80 m
width	0.50 m
weight	80 kg

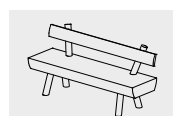
Benches

seat height	0.45 m
length	1.80 m
seat surface	0.35 - 0.45 m
weight	60 - 100 kg

Waste Bin (without illustration)

height	0.60 m
length	0.50 m
width	0.50 m
weight	25 kg

For more detailed explanation of the quality characteristics see price list.



9.20000 - 9.70000

Function and Play value

The Swinging Table is a closed hollow body suspended on chains. It invites one to sit down without immediately revealing its "secret". Only after sitting down, one recognizes a peculiar swinging of the table. One can feel the movement of the water inside the table which reacts in resonance to one's own movement. There is an interplay between the perception and action of the people and the response of the water. It is great fun to experience the unexpected movements of the table together with others. The Swinging Table is a nice offer for pedestrian zones.



This picture shows a special version.



Copyright © Richter Spielgeräte GmbH 10/15

Fundamental characteristics

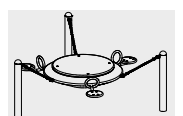
- agreeable design
- unique and original
- feeling of the movement of the water inside the table
- incentive for playing: peculiar seating
- movement: swinging

Suitable

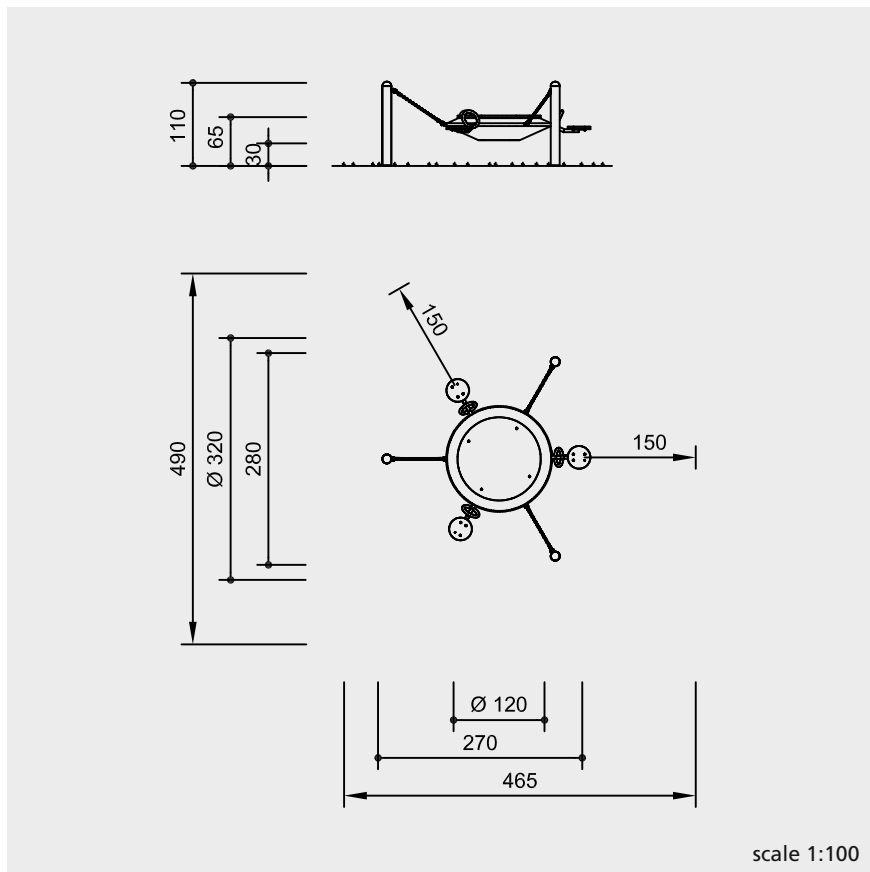
- for children from 6 years and young people
- for public playgrounds
leisure areas
pedestrian zones
- as interesting meeting point

Swinging Table

Design M. Rohrbach



9.55000



Safety check according to EN 1176

Components

- 1 swinging table with 3 connecting chains
- 3 support posts
- 1 canister antifreeze

Installation information

Surfacing requirements corresponding to a fall height of ≤ 1.00 m (please refer to price list for more detailed information)

Foundations
3 items 60 x 80 x 60 cm
excavation depth 80 cm

Attention:
Exact measurements may vary, for all installation dimensions refer to current installation instructions.
Technical changes reserved.

Technical information

Swinging table of stainless steel, glass bead blasted

larch plywood

surfaces of seats and table of three-layer waterproof plywood of non-impregnated mountain larch, 30 mm



universal joint

drop-forged and hot-dip galvanised joint yoke; the universal joint insert consists of two swing bearings



brass bush

suspension: for all to and fro movements we use bush bearings which allow for self-lubrication while in use and which can be easily exchanged in case of need



ground anchor

support posts made of hot-dip galvanised steel



chains

suspended on short-link chains, 7 mm, welded before hot-dip galvanisation (stainless steel chains available on request)

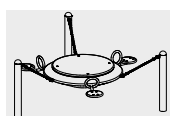


Dimensions

(small deviations possible)

height of support posts	1.10 m
swinging table, diameter	1.20 m
weight without water	300 kg
weight with water	380 kg

For more detailed explanation of the quality characteristics see price list.



9.55000

Play value

For children, playing does not always mean doing something active. Playing might just as well mean being there. For these play phases it is necessary to provide seats or places, especially raised seating. Our Sitting Fence allows „hanging about“ casually, provides a good view and one can talk with the others feeling very „cool“: The fence seat is developed in such a way that it fits well when installed in groups, so that the planner can individually design the intended location.

Fundamental characteristics

- natural wooden surface with big diameters provides comfortable seating
- appealing design
- movement: sitting, balancing

Suitable

- for children from 4 years
- for public playgrounds
- schoolyards
- sport areas
- youth centres

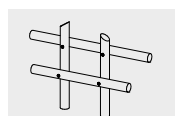


Sitting Fence

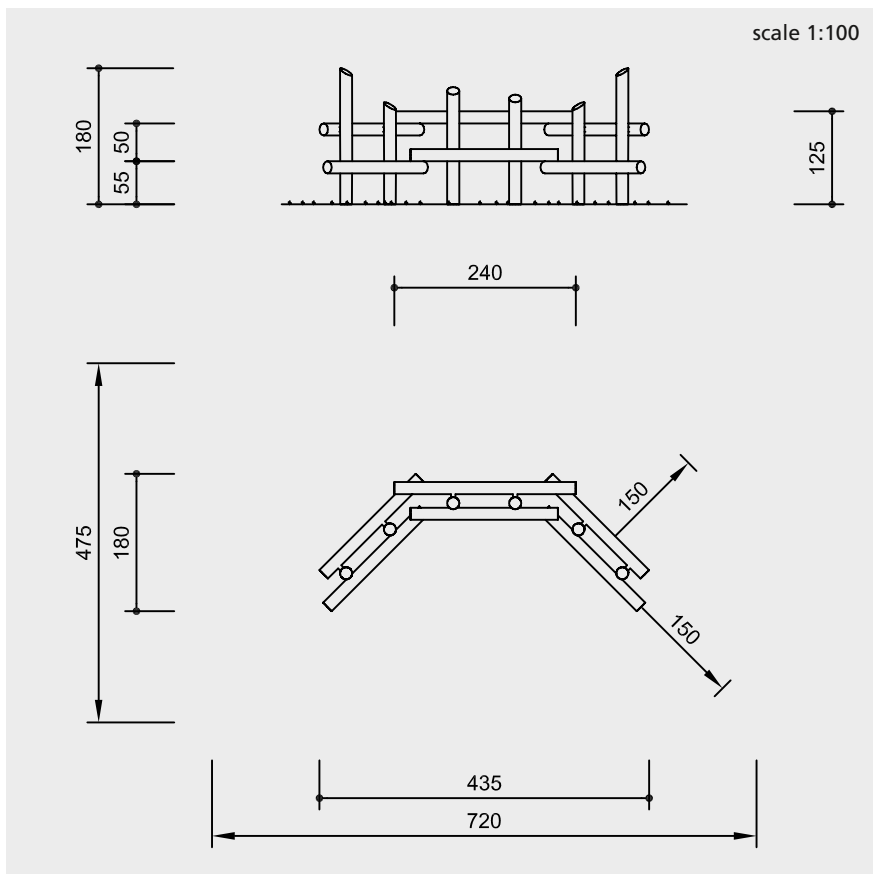


© Richter Spielgeräte GmbH 10/15

Design and Copyright



7.85000 - 7.85030



Safety check according to EN 1176

Technical information

equipment of non-impregnated mountain larch

de-barked posts
de-barked posts, Ø 15 - 18 cm



angle cut
vertical support posts with angle cut in the end grain section as constructive wood preservation



concealed head
large surface for pressure distribution, prevents water from getting inside, protects the bolt head



adjustable
no projecting threads after re-tightening due to two-piece bolt connection and therefore easy to maintain



distance fitting
to avoid entrapment of chords



Dimensions
(small deviations possible)

height	1.80 m
width	2.40 m
weight	
per element	130 kg

For more detailed explanation of the quality characteristics see price list.

Components

Order No. 7.85000
Sitting Fence, single element
2 posts
2 cross beams

Order No. 7.85020
Sitting Fence, double element
4 posts
4 cross beams

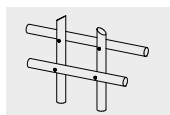
Order No. 7.85030
Sitting Fence, triple element
6 posts
6 cross beams

Installation information

Surfacing requirements corresponding to a fall height of ≤ 1.50 m (please refer to price list for more detailed information)

Foundations per post 1 item 60 x 60 x 50 cm excavation depth 70 cm

Attention:
Exact measurements may vary, for all installation dimensions refer to current installation instructions.
Technical changes reserved.



7.85000 - 7.85030

Play value

These sitting steps can be used to round off a play area for small children. Here, it is possible to relax or to climb. The steps can also be used to display material; they can serve as a bakery or as a seat for small children as well as for adults. The sitting steps are also suitable as a meeting place for a group which can sing or play together. It can also be used as alternative seating for older children.



© Richter Spielgeräte GmbH 10/15

Design and Copyright

Fundamental characteristics

- child proportions according to ergonomic requirements
- agreeable design
- movement: sitting, jumping
- incentive for playing: surface for displaying material, playing together

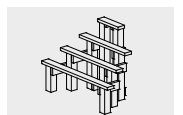
Suitable

- for children from 3 years
- for public playgrounds
- playgrounds near houses
- children's homes
- school playgrounds

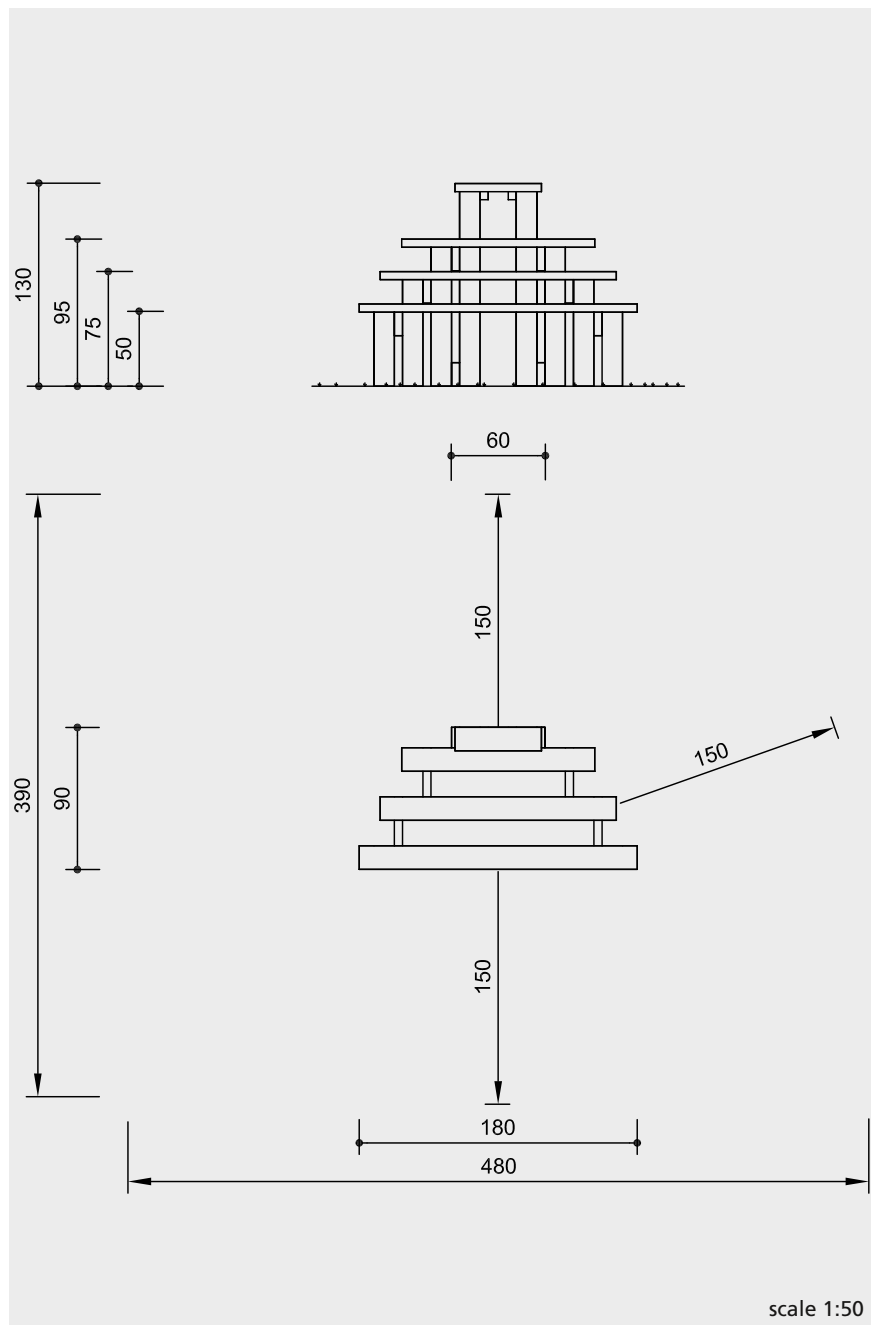
Note

The picture doesn't show the recent design, see back sheet!

Sitting Steps



4.40870



Safety check according to EN 1176

Technical information

equipment of non-impregnated mountain larch

core-free

sawn timbers core-free, by that formation of cracks can be reduced



ground anchor

all parts used for anchoring to the ground made of hot-dip galvanised steel



Dimensions

(small deviations possible)

seat height	0.50 m
	0.75 m
	0.95 m
	1.30 m
length	1.80 m
width	0.90 m
weight	170 kg

For more detailed explanation of the quality characteristics see price list.

Components

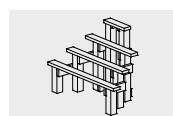
- 1 Sitting Steps
- 3 foundation irons

Installation information

Surfacing requirements corresponding to a fall height of ≤ 1.50 m (please refer to price list for more detailed information)

Foundations
3 items 50 x 50 x 30 cm
excavation depth 50 cm

Attention:
Exact measurements may vary, for all installation dimensions refer to current installation instructions.
Technical changes reserved.



4.40870

Play value

Children and young people consider the Town Box to be a fantastic meeting place. There they feel safe and hidden from the world of the grown-ups. It is also possible for them to rotate the Town Box to change the view and their level of privacy.

Fundamental characteristics

- natural wood surface for pleasant seating
- shelter
- appealing design

Suitable

- for children from 4 years of age
- for public playgrounds
- school playgrounds
- sport areas
- youth centres
- play areas for people with special needs



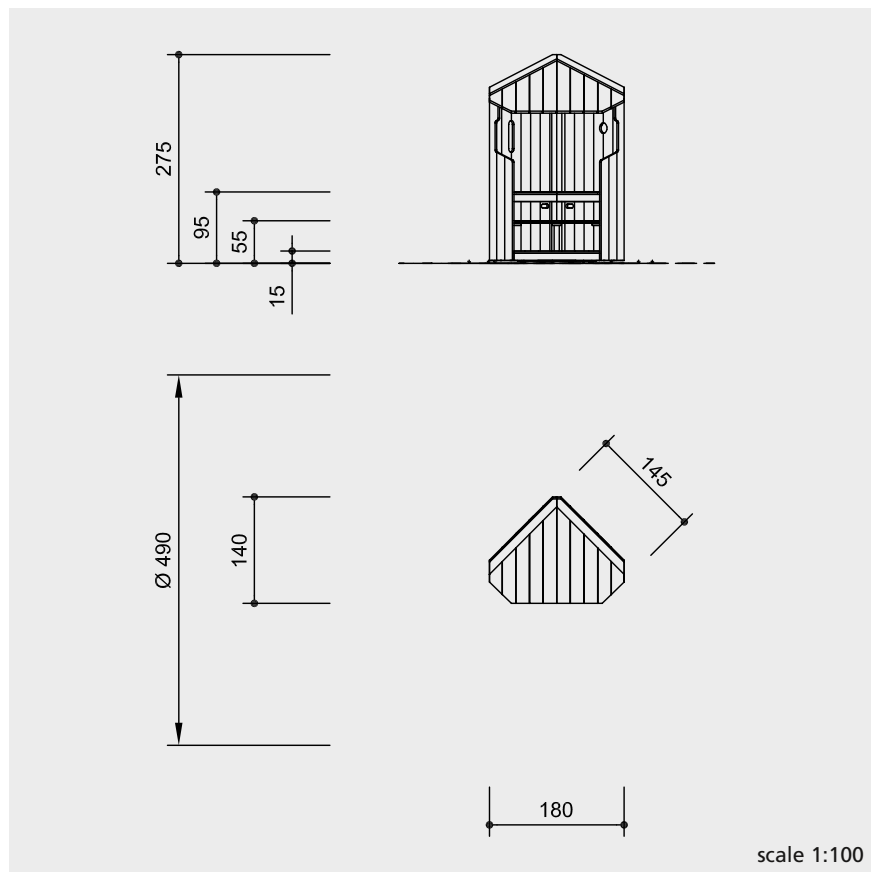
Town Box

Copyright © Richter Spielgeräte GmbH 10/15

Design G. Beltzig



7.81000



safety check according to EN 1176

Components

- 1 town box with turning mechanism
- 1 foundation frame

Also available without turning mechanism, see **Order No. 7.81050** in the price list.

Installation information

Surfacing requirements
no fall height according to standard

Foundations
1 item Ø 100 cm, 40 cm deep
anchoring to the ground with anchor bolts

Attention:
Exact measurements may vary; for all installation dimensions refer to current assembly instructions.
Technical changes reserved.

Technical information

equipment of non-impregnated mountain larch

core-free
sawn timbers core-free, thus decreasing occurrences of cracking



tongue and groove
roof, walls and floor made of 30 mm tongue and groove boarding



plywood
side panels of three-layer waterproof plywood, 30 mm



ground anchor
turning mechanism made of hot-dip galvanised steel



Dimensions
(small deviations possible)

height	2.75 m
length	1.80 m
width	1.40 m
weight	400 kg

Please refer to the price list for a more detailed explanation of the quality characteristics.



7.81000

Play value

This design of the large Shelter with integrated seating circle accentuates an approach for young people. The tyre circle can be gently swung as a group or by individuals. The circular configuration allows each person to see all others. The four half-walls provide sufficient screening and create a sheltered area. Despite this, the room still appears open. A shelter is a „must“ to be included in every playground.



Order No. 7.82300 Meeting House with Seating Circle



Fundamental characteristics

- carpenter roof construction

Suitable

- as meeting point for all age groups
- for public playgrounds
- leisure areas
- excursion areas

Shelter Meeting House with Seating Circle

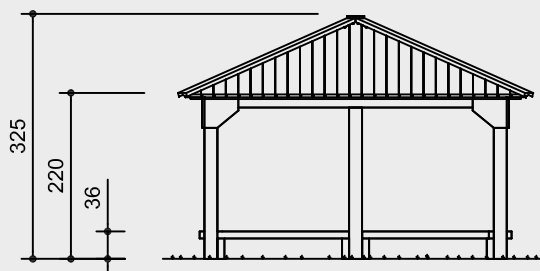


7.82000

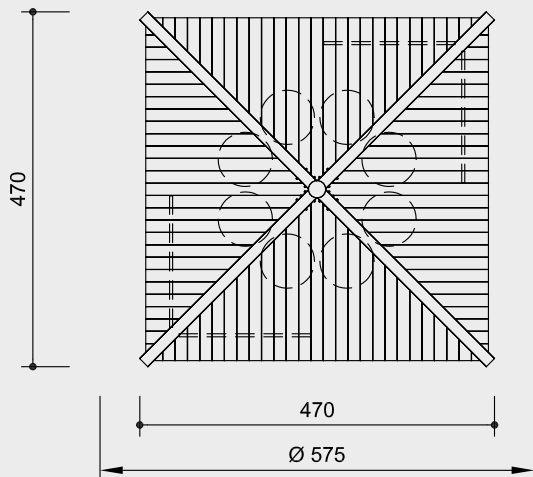
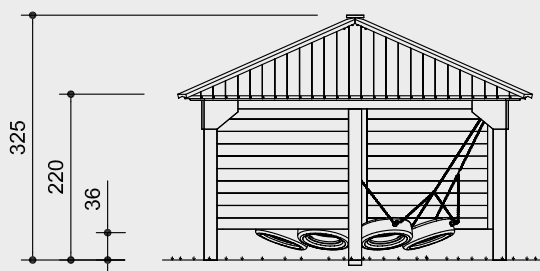


7.82300

Order No. 7.82000 Shelter



Order No. 7.82300 Meeting House with Seating Circle



scale 1:100

Safety check according to EN 1176

Components

Order No. 7.82000 Shelter

- 1 roof of 4 segments
- 8 support posts with steel feet
- 4 integrated benches

Order No. 7.82300

Meeting House with Seating Circle

- 1 roof of 4 segments
- 8 support posts with steel feet
- 4 wall segments
- 1 seating circle of 8 milled-off tyres complete with all suspension attachments

Installation information

Surfacing requirements

Order No. 7.82000

no requirements

Order No. 7.82300

corresponding to a fall height of ≤ 1.00 m

Foundations

- 8 items 50 x 50 x 40 cm
- excavation depth 60 cm
- need to be made before installation with a gap

Attention:

Exact measurements may vary, for all installation dimensions refer to current installation instructions.

Technical changes reserved.

Technical information

Order No. 7.82000 Shelter

equipment of non-impregnated mountain larch

core-free timbers

sawn-timbers core-free, by that formation of cracks can be reduced
support posts of square timber 18/18 cm
4 benches, each 2 m long, 10 cm thick



tongue and groove

roof of 40 mm tongue and groove boarding



strong fastening

bolt connections with milled metal rings for connections which are stressed cross-wise



ground anchor

all parts used for anchoring to the ground made of hot-dip galvanised steel



Order No. 7.82300

Meeting House with Seating Circle

Description of materials as before, but in addition:

tongue and groove

wall of 40 mm tongue and groove boarding



milled off tyres

seating circle with 8 milled off tyres, thus clean, smooth, soft and light



brass bush

for all to and fro movements we use bush bearings which allow for self-lubrication while in use and which can be easily exchanged in case of need



chains

suspended on short-link chains, 7 mm, welded before hot-dip galvanisation (stainless steel chains available on request)



suspended on sturdy hot-dip galvanised joints

Dimensions

(small deviations possible)

Order No. 7.82000/7.82300

surface	4.00 x 4.00 m
eaves height	2.20 m
roof height	3.25 m
weight	

Order No. 7.82000 2500 kg

Order No. 7.82300 3000 kg



7.82000





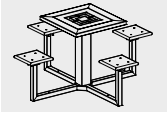
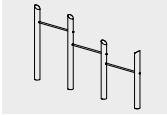



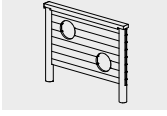

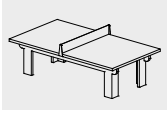
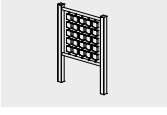
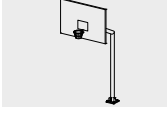
7.82300

For more detailed explanation of the quality characteristics see price list.

G Additional Equipment

- 1 Meeting points
- 2 Playful competition
- 3 Drawing
- 4 Sensory experiences

G 2 Playful competition

Order No. Item	page	Order No. Item	page
 11.01500 Marbles Table	589	 7.89700 Lifting Equipment	599
 9.14000 Morris Table	591	 6.96000 Horizontal Bars	601
 9.14010 Nine Men's Morris Table	591	 6.98000 Goal	601
 9.15000 Four in a Row	593	 6.99000 Ball Wall	601
 9.15100 Ball Labyrinth	595	 7.89000 Table Tennis Table	603
 9.15200 Pairs	597	 6.99100 Basketball Net	603

Function

The Marbles Table can be compared to the popular "Mouse hunt". By moving the marbles table you can drop the marbles in the holes. Skill and coordination are called for, especially if this game is being played by several people.

Barrier-free

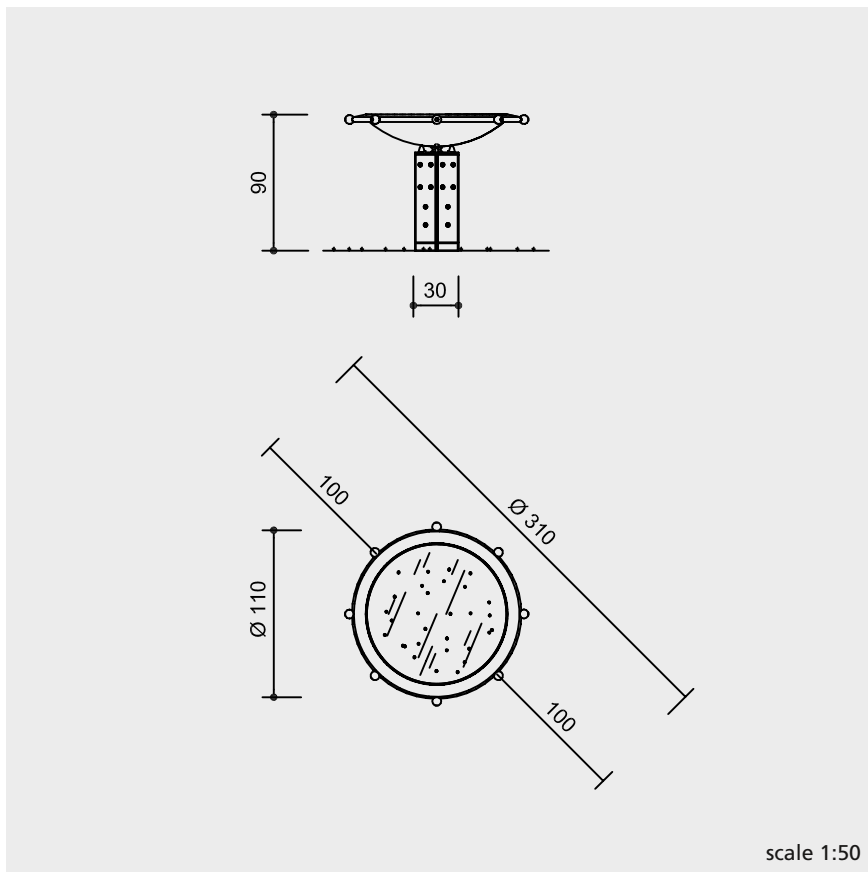
- independent play



Marbles Table



11.01500



Safety check according to EN 1176

Components

- 1 marbles table
- 1 support post including
- 4 foundation anchors

Installation information

- Surfacing
no requirements
- Foundations
1 item 60 x 70 x 40 cm
excavation depth 60 cm

Attention:
Exact measurements may vary, for all installation dimensions refer to current installation instructions.
Technical changes reserved.

Technical information

core-free timber

sawn timbers of non-impregnated mountain larch, core-free, thus decreasing the occurrence of cracking



adjustable

no projecting threads after re-tightening due to two-piece bolt connection and therefore easy to maintain



ground anchor

guidance plate for marbles and foundation anchor made of phenol resin paper based laminate



sandwich construction frame, oiled, non-positive fitting

dish made of stainless steel, glass bead blasted

cover made of single-pane safety glass, 10 mm

marbles Ø 25 mm made of POM (18 pieces)

support made of rubber buffers for controlled rocking movement

handle balls made of polyamide

Dimensions

(small deviations possible)

height	0.90 m
diameter	1.10 m
weight	180 kg

For more detailed explanation of the quality characteristics see price list.



11.01500



Function

Nine Men's Morris is a traditional board game for two people. Our Morris table can also be located in outside areas and is suitable for young and old. The playing pieces do not differ according to colour but rather by the difference in their surfaces – one set of pieces is smooth and the other has circular ridges. They can be very easily slid along the tracks but it is not possible to remove them.

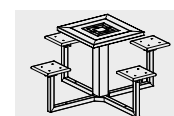
Barrier-free

- independent play

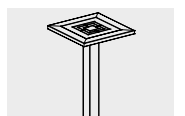
Morris Table
Nine Men's Morris Table
 made of stainless steel

Copyright © Richter Spielgeräte GmbH 10/15

Design E. Schmidmaier



9.14000

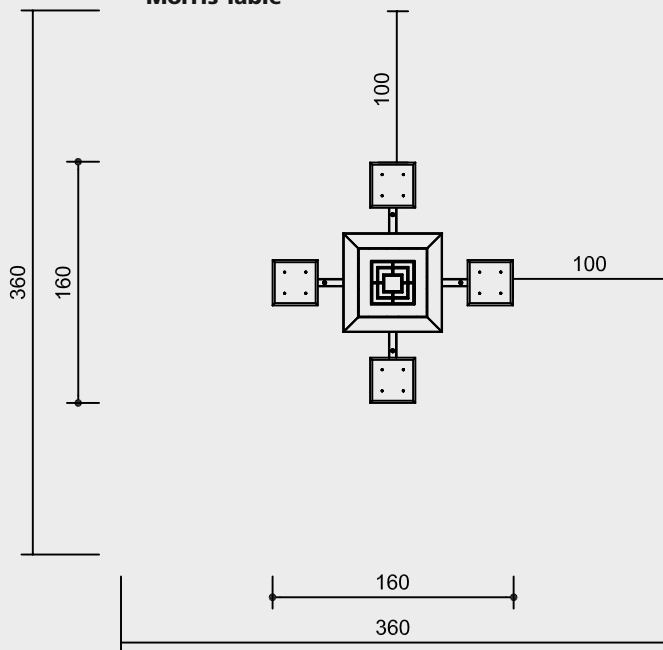


9.14010

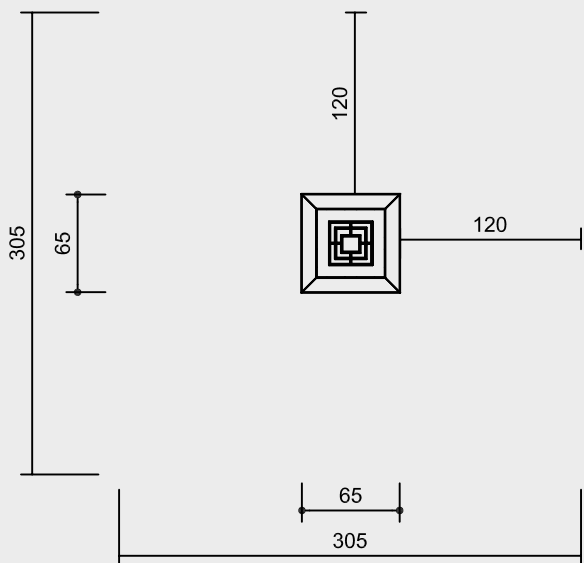
scale 1:50



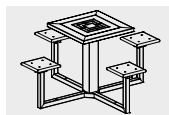
**Order No. 9.14000
Morris Table**



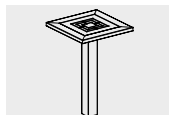
**Order No. 9.14010
Nine Men's Morris Table**



Safety check according to EN 1176



9.14000



9.14010

Technical information

table, playing pieces and seat supports made of stainless steel, glass bead blasted

Nine Men's Morris playing area made of black PA

ground anchor

all parts used for anchoring to the ground made of stainless steel



Order No. 9.14000

seating surface made of polyoxymethylene (POM-C), standard colour black

Dimensions

(small deviations possible)

Order No. 9.14000 Morris Table

height of table	0.80 m
total width	1.60 m
total length	1.60 m
width of table	0.65 m
length of table	0.65 m
seat height	0.50 m
weight	60 kg

Order No. 9.14010 Nine Men's Morris Table

height	1.00 m
width	0.65 m
length	0.65 m
weight	31 kg

Components

Order No. 9.14000

1 Morris table with non-removable stone playing pieces and 4 seats

Order No. 9.14010

1 Nine Men's Morris table with non-removable stone playing pieces

Installation information

Surfacing requirements
no requirements

Foundations

Order No. 9.14000

without foundations, for fixation with bolts

Order No. 9.14010

1 item 50 x 50 x 40 cm
excavation depth 60 cm, for fixation with bolts

Attention:

Exact measurements may vary, for all installation dimensions refer to current installation instructions.

Technical changes reserved.

Equipment also available as „Chess“ or „Catch me if you can“.

For more detailed explanation of the quality characteristics see price list.



Function and Play Value

Four in a row promotes logical thinking and strategic acting. It is played on a vertical, hollow playing field where the players can take turns to move their playing tokens but cannot remove them. The playing field consists of seven vertical columns and six horizontal rows. Each player has 21 playing tokens of the same colour. The player drops a playing token into a column, where it occupies the lowest available free space in the column. The player who first manages to line up at least four of their tokens horizontally, vertically or diagonally is the winner. If the playing field is completely filled in without either of the players managing to create a row of four, the game is called a draw.

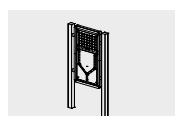
Barrier-free

- independent play

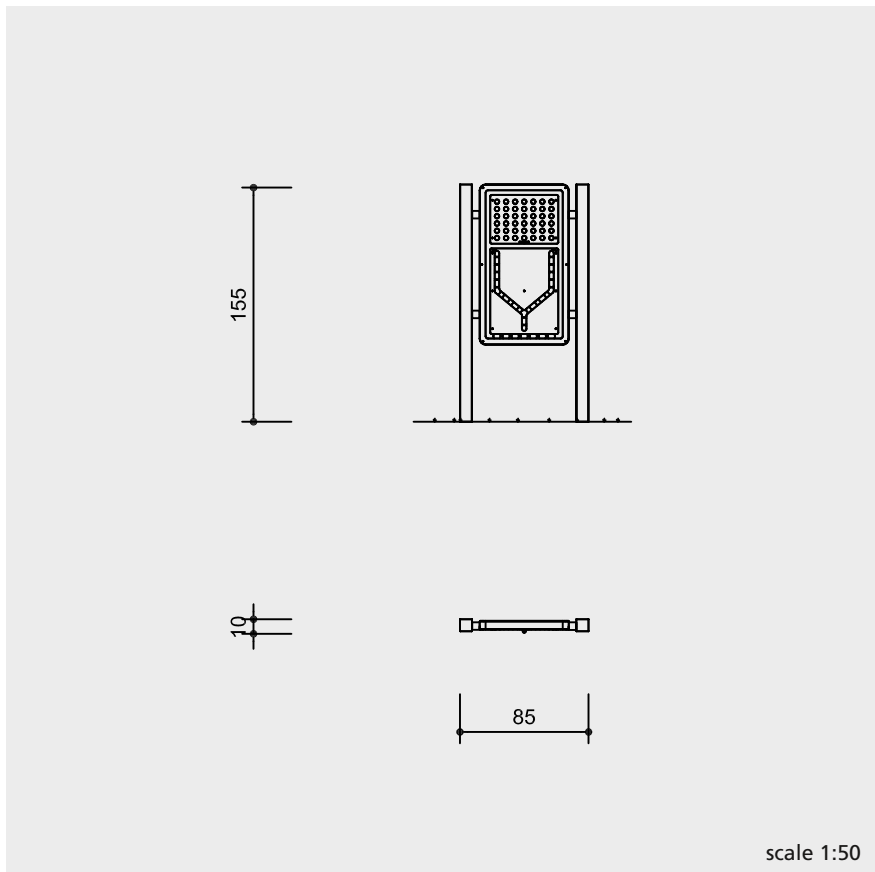
Four in a row

Copyright © Richter Spielgeräte GmbH 10/15

Design F. J. Wagner



9.15000



Safety check according to EN 1176

Technical information

equipment made of matt finished/glass bead blasted (stainless steel)

playing field made of black coloured-through castor oil-based PUR plastic

red and blue playing tokens

ground anchor

all parts used for anchoring to the ground made of stainless steel



Dimensions

(small deviations possible)

height	1.55 m
width	0.85 m
depth	0.10 m
playfield	1.00 x 0.60 m
stand posts	80 x 80 mm
weight	80 kg

For more detailed explanation of the quality characteristics see price list.

Components

1 outer frame with playing field and magazine with 21 playing tokens of each colour

Installation information

Surfacing requirements
no requirements

Recommended space
including safety distances
3.00 x 1.50 m

Foundations
2 items 50 x 50 x 40 cm
excavation depth 60 cm

Attention:

Exact measurements may vary, for all installation dimensions refer to current assembly instructions.

Technical changes reserved.



9.15000



Play value

The rules of the Ball Labyrinth are simple. The round handles are used to tip the playing table to make the ball roll in the corresponding direction. The goal is to get the ball once across the labyrinth. The game is not just fun but also promotes dexterity and patience, something that is particularly important for children and seniors. In addition, the game requires concentration and perfect coordination.

Barrier-free

- independent play

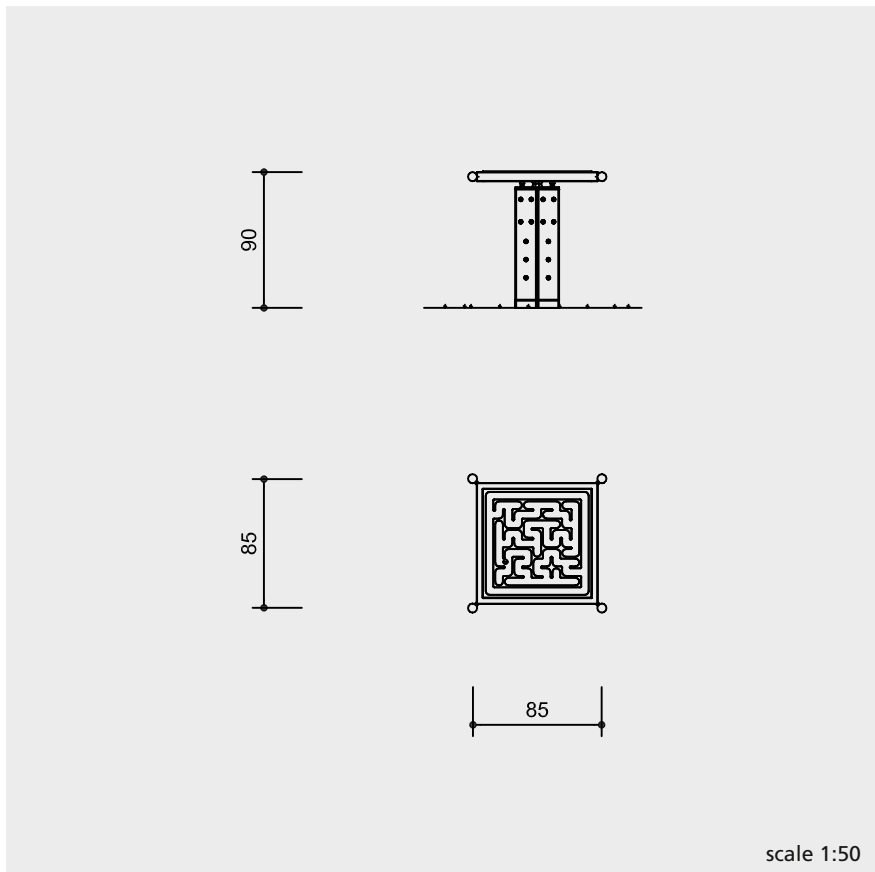
Ball Labyrinth

Copyright © Richter Spielgeräte GmbH  10/15

Design F. J. Wagner



9.15100



safety check according to EN 1176

Components

- 1 ball labyrinth
- 1 support post with
- 4 foundation anchors

Installation information

Surfacing requirements
no requirements

Recommended space
including safety distances
2.90 x 2.90 m

Foundations
1 item 60 x 70 x 40 cm
excavation depth 60 cm

Attention:
Exact measurements may vary; for all installation dimensions refer to current assembly instructions.
Technical changes reserved.

Technical information

core-free
sawn timbers of non-impregnated mountain larch, core-free, thus decreasing occurrences of cracking



adjustable
easy to maintain, no projecting threads after re-tightening due to two-piece bolt connection



ground anchor
foundation anchor made of phenol resin paper based laminate



sandwich construction frame, oiled, non-positive fitting

stainless steel frame, glass bead blasted

guide plate for sphere made of plastic

covered with (toughened) safety glass, 10 mm

play table with bearing on rubber buffers for controlled swinging movements

handle balls made of polyurethane (PUR)

Dimensions

(small deviations possible)

height	0.90 m
length	0.85 m
width	0.85 m
play area	0.72 x 0.72 m
thickness of safety glass	10 mm
weight	100 kg

Please refer to the price list for a more detailed explanation of the quality characteristics.



9.15100



Function and Play Value

This memory game, suitable for outdoors, is a well-known brain teaser. The aim of the game is to find matching pairs of cards, which promotes memory skills. Two players take turns to turn around two wooden tiles with pictures of animals on the back. If the two pictures do not match, they must be turned back around. This is continued until a pair is found. The player who has collected the most pairs at the end is the winner.

Barrier-free

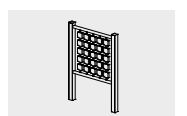
- independent play



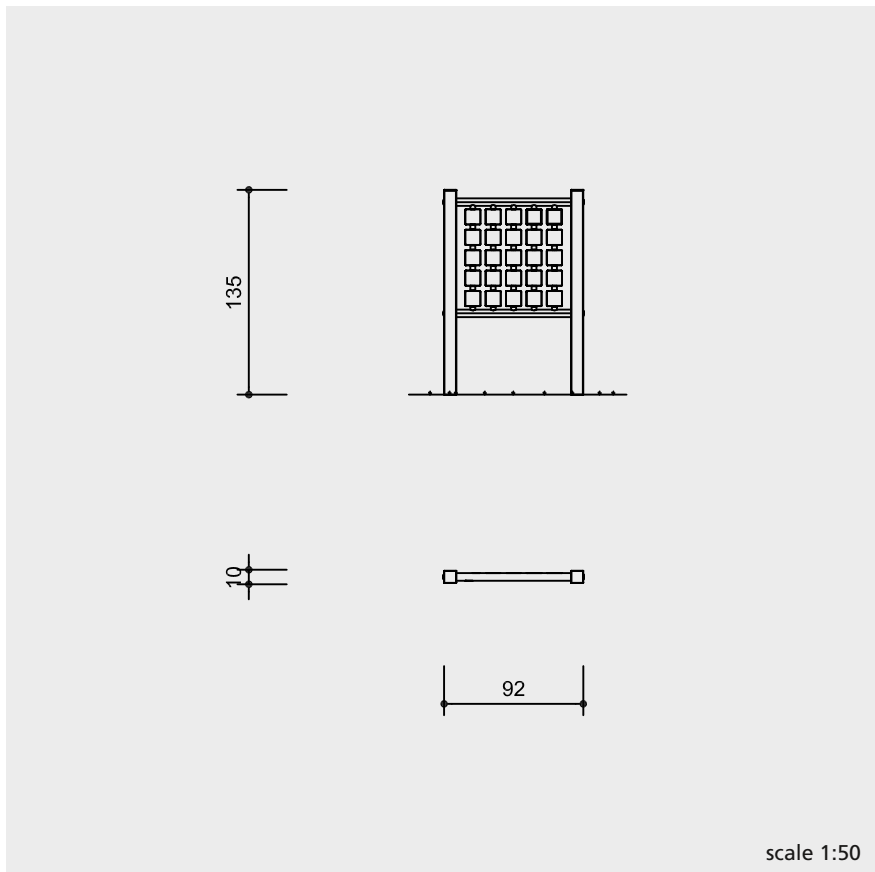
Pairs

Copyright © Richter Spielgeräte GmbH 10/15

Design F. J. Wagner



9.15200



Safety check according to EN 1176

Technical information

12 pairs of turnable timber pieces made of oiled mountain larch with animal theme on one side, mounted in sliding bushes

animal themes made of stainless steel, laser cut and vibratory grinding

frame and standpost made of stainless steel

ground anchor

all parts used for anchoring to the ground made of stainless steel



Dimensions

(small deviations possible)

height	1.35 m
width	0.92 m
depth	0.10 m
play area	0.70 x 0.70 m
weight	45 kg

For more detailed explanation of the quality characteristics see price list.

Components

1 frame with panel

Installation information

Surfacing requirements
no requirements

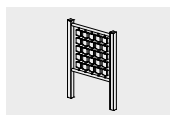
Recommended space
including safety distances
3.00 x 2.00 m

Foundations
2 items 40 x 40 x 40 cm
excavation depth 60 cm

Attention:

Exact measurements may vary, for all installation dimensions refer to current assembly instructions.

Technical changes reserved.



9.15200

Play value

Three wooden weights are placed in both the left - and right - support posts in such a way that the weights are able to slide up and down. One wooden weight on each side is fixed to the horizontal bar, the others become visible and effective as the bar is raised. Teenagers in particular, enjoy measuring and comparing strength. Excess energy can be neutralised, spent by playing on this weight lifting device.

Fundamental characteristics

- unique and original
- constructed in a way that weight increases with higher lifting
- incentive for playing: unknown device, showing strength
- movement: physical effort, lifting, also usable as horizontal bar

Suitable

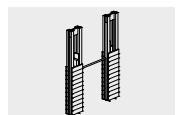
- for children from 8 years and young people
- for public playgrounds
school playgrounds
youth institutions
leisure areas
outdoor swimming pools



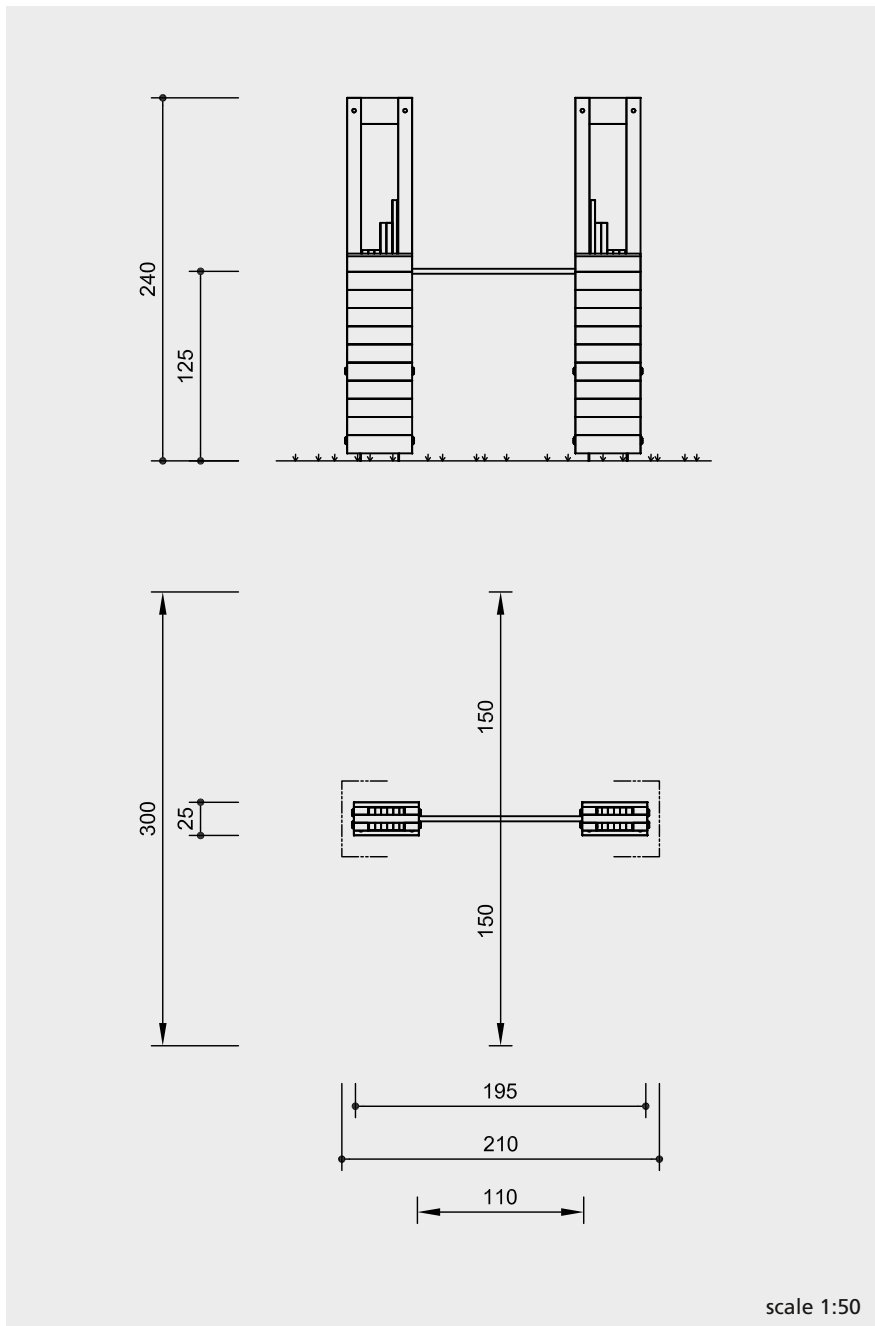
Lifting Equipment

© Richter Spielgeräte GmbH 10/15

Design and Copyright



7.89700



Safety check according to EN 1176

Components

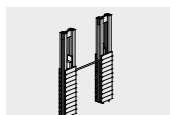
1 equipment item with 6 weights, stainless steel bar and steel feet

Installation information

Surfacing requirements corresponding to a fall height of ≤ 1.50 m (please refer to price list for more detailed information)

Foundations
2 items 50 x 60 x 60 cm
excavation depth 80 cm

Attention:
Exact measurements may vary, for all installation dimensions refer to current installation instructions.
Technical changes reserved.



7.89700

Technical information

equipment of non-impregnated mountain larch

core-free timber
sawn timbers core-free, by that formation of cracks can be reduced



plywood
weights of three-layer or five-layer waterproof plywood



ground anchor
all parts used for anchoring to the ground made of hot-dip galvanised steel



bar of stainless steel, glass bead blasted, diameter 33 mm

impact area of weights damped

Dimensions

(small deviations possible)

height	2.40 m
length	1.95 m
width	0,25 m
range of weights	1.25 - 2.00 m
weights	2 x 11 kg = 22 kg
	2 x 9 kg = 18 kg
	2 x 3.5 kg = 7 kg
total weight	300 kg

For more detailed explanation of the quality characteristics see price list.

Play value

Children like to practice their skills. Therefore, a playground should also provide equipment that is suitable for a range of exercises. The children's degree of success determines, amongst other things, how they see themselves within the group. The horizontal bars are especially suited to allow these sorts of activities, e.g. forward rolls for self-evaluation.

The Ball Wall, made popular on a German television show, allows children to test their ball skills just like the big stars. The Ball Wall encourages playful and exciting competitions.



Order No 6.98000 Goal

Fundamental characteristics

- incentive for playing: repeating familiar activities
- exercise activity: balancing, whole body activities, races, ball skills, gymnastic-like exercises

Suitable

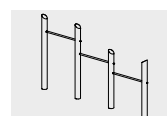
- for children from 4 years of age and teenagers
- for public playgrounds
- playgrounds situated near houses
- school playgrounds
- day-care centres



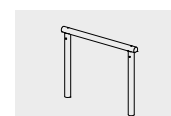
Horizontal Bars in different heights
Goal
Ball Wall



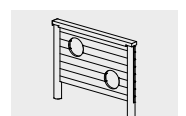
Order No 6.99000 Ball Wall



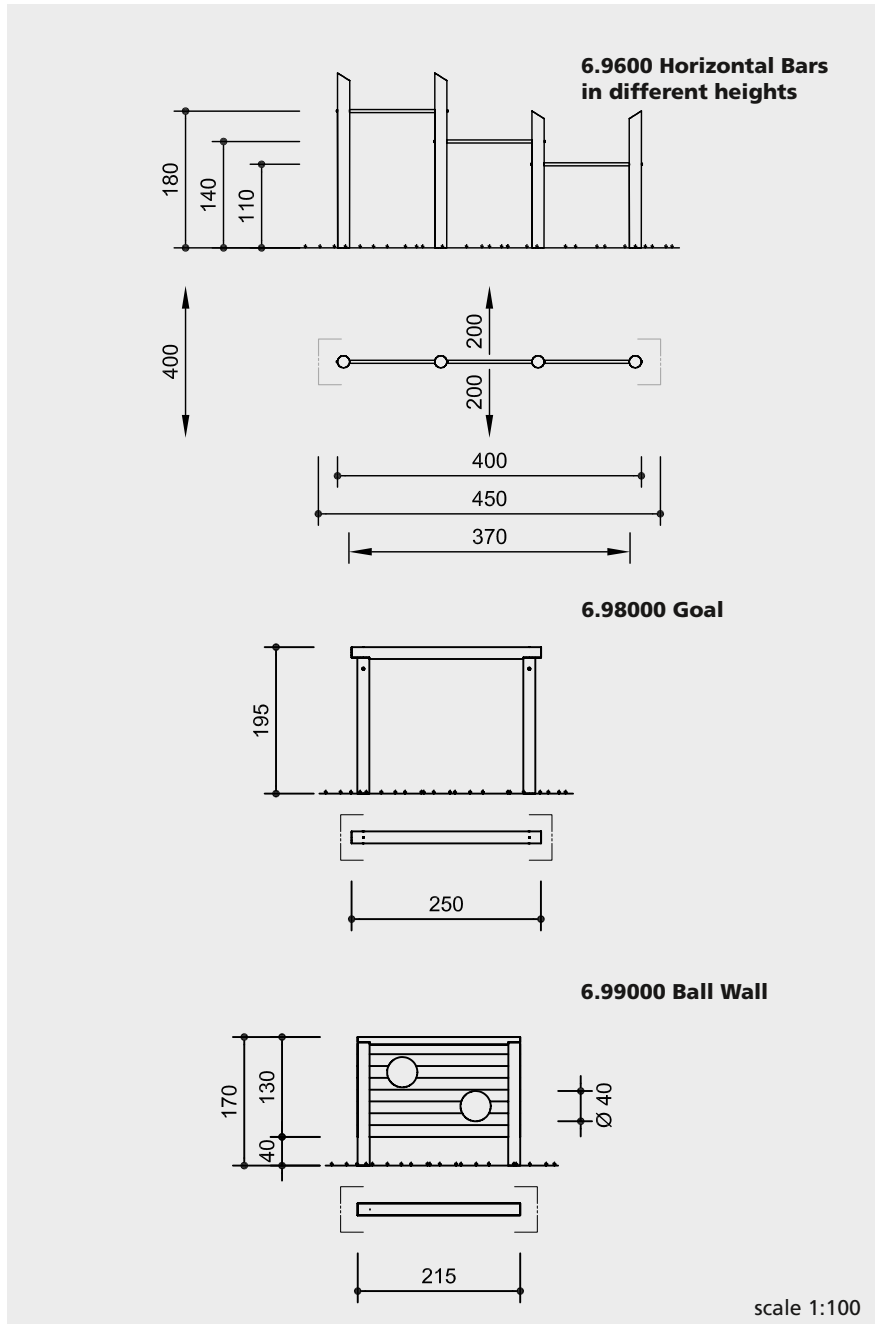
6.96000



6.98000



6.99000



safety check according to EN 1176

Components

6.9600 Horizontal Bars in different heights

4 stand posts
3 horizontal bars, length 1.20 m

6.98000 Goal

2 stand posts
1 cross beam

6.99000 Ball Wall

1 complete piece of equipment

Installation information

Corresponding to a fall height of **Order No. 6.96000** ≤ 2.00 m (please refer to price list for more detailed information)

Foundations

6.96000 4 items 60 x 60 x 60 cm excavation depth 80 cm
6.98000 2 items 60 x 60 x 50 cm excavation depth 70 cm
6.99000 2 items 60 x 60 x 50 cm excavation depth 70 cm

Technical information

de-barked posts

de-barked posts, Ø 15 - 18 cm, of spruce/fir, boiler pressure impregnated according to DIN 68800-3, use class 4



perforated

the earth/air zone of the wood is perforated by small bore holes to ensure that the impregnating agent penetrates this particularly endangered zone



concealed head

large surface for pressure distribution, prevents water from getting inside, protects the bolt head



6.9600 Horizontal Bars in different heights angle cut

vertical stand posts with angle cut in the end grain section as constructive wood preservation



horizontal bars of stainless steel, glass-bead blasted, Ø 30 mm

6.98000 Goal end grain connector

special fitting for adjustable attachment of horizontal bars to vertical wooden posts



6.99000 Ball Wall core-free

sawn timbers of non-impregnated mountain larch, core-free, thus decreasing occurrences of cracking **tongue and groove** wall of 40 mm tongue and groove boarding



Dimensions

(small deviations possible)

6.9600 Horizontal Bars in different heights

heights of horizontal bars
1.10 m/1.40 m/1.80 m
width 4.00 m
weight 200 kg

6.98000 Goal

height 1.95 m
width 2.50 m
weight 100 kg

6.99000 Ball Wall

height 1.70 m
width 2.15 m
weight 150 kg

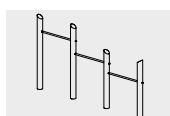
Attention:

Exact measurements may vary; for all installation dimensions refer to current assembly instructions.

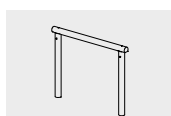
Technical changes reserved.

Equipment also available with steel feet.

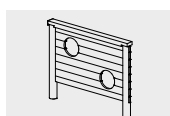
Please refer to the price list for a more detailed explanation of the quality characteristics.



6.96000



6.98000



6.99000

Play value

Table Tennis Tables and Basketball Nets in parks or on playgrounds are often a meeting point for bigger children and adolescents and for this reason should be combined with seating for spectators. Table tennis and basketball provide an opportunity for friendly competition, a stimulus for activity ranging from play to sporting conflict.



Order No. 6.99100 Basketball Net



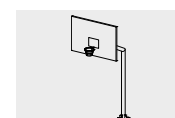
Fundamental characteristics

- incentive for playing: known activities
- movement: physical effort

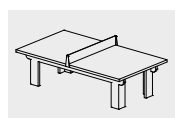
Suitable

- for children from 6 years and young people
- for public playgrounds
playgrounds situated near houses
children's and youth institutions
school playgrounds
pedestrian zones
leisure areas
outdoor swimming pools

**Table Tennis Table
Basketball Net**



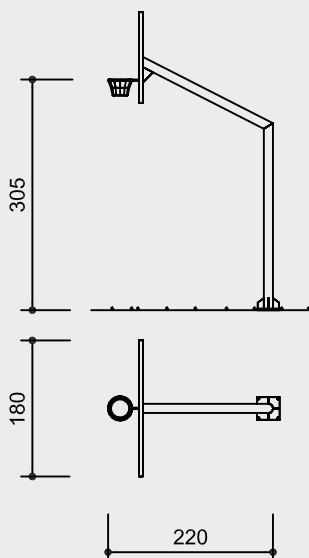
6.99100



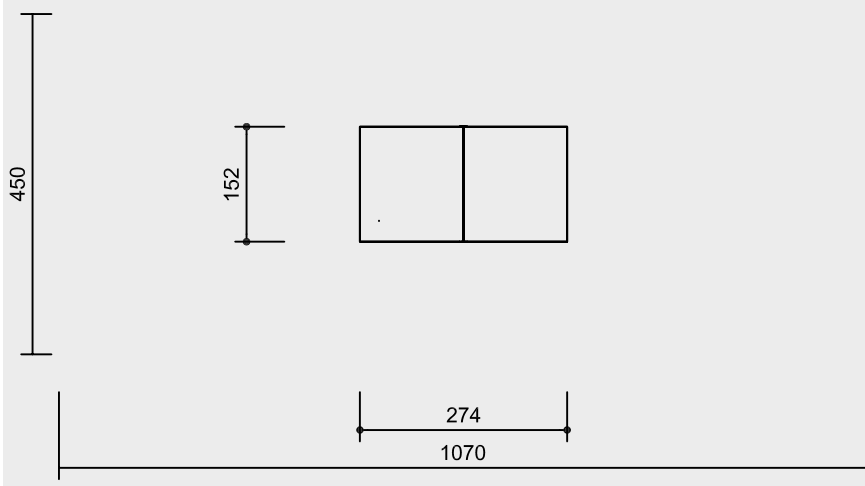
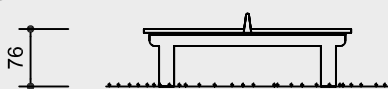
7.89000

Order No. 6.99100
Basketball Net

scale 1:100



Order No. 7.89000
Table Tennis Table



Safety check according to EN 1176

Technical information

Order No. 6.99100
Basketball Net

board of waterproof plywood, 18 mm, lacquered

basket net of stainless steel chains

ground anchor

support tube of hot-dip galvanised steel, Ø 12 cm, thickness 4 mm



Order No. 7.89000
Table Tennis Table

two-part plate of polymer concrete, 30 mm

surface absolutely weatherproof, smooth, does not reflect sunlight, enables precise, fast and quiet play

edges of shatter-proof hardened PVC, 45 mm

substructure of polymer concrete

net and fixings of 4 / 8 mm aluminium

Dimensions

(small deviations possible)

Order No. 6.99100
Basketball Net

basket height	3.05 m
board	1.80 x 1.20 m
distance board/ support post	1.65 m
weight	100 kg

Order No. 7.89000
Table Tennis Table

height	0.76 m
length	2.74 m
width	1.52 m
weight	450 kg

Components

Order No. 6.99100
Basketball Net

- 1 supporting tube
- 1 foundation anchor
- 1 board
- 1 basket with net

Order No. 7.89000
Table Tennis Table

- 1 standing frame with ground anchor
- 2 part table top of acrylic composite
- 1 aluminium net

Installation information

Surfacing requirements
no requirements

Foundations

Order No. 6.99100 Basketball Net
1 item 100 x 80 x 80 cm
excavation depth 80 cm

Order No. 7.89000 Table Tennis Table

no foundations required, but the play surface should be reinforced

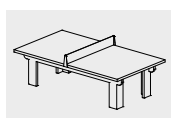
Attention:

Exact measurements may vary, for all installation dimensions refer to current installation instructions.

Technical changes reserved.



6.99100



7.89000

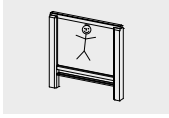
Please refer to the price list for a more detailed explanation of the quality characteristics.

G Additional Equipment

- 1 Meeting points
- 2 Playful competition
- 3 Drawing
- 4 Sensory experiences

G 3 Drawing

Order No.
Item page



4.24450/4.24455 605
Drawing Boards



4.24457 607
Drawing Table



Order No. 4.24450 Drawing Board

Play value

Children's need to scribble and draw on various surfaces can be perfectly guided by installing a drawing board. Kindergarten children in particular feel themselves attracted to the "blackboard" and they use it as an incentive for role-playing games.

Fundamental characteristics

- child proportions according to ergonomic requirements
- natural wooden surface that appeals to the senses
- minimalistic style
- with chalk tray

Suitable

- for small children's areas of: play spaces situated near houses kindergartens
- for day nurseries

Barrier-free

- independent play



Standard version with chalk tray

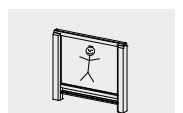


**Drawing Board
Drawing Board**

low version for small children

© Richter Spielgeräte GmbH 10/15

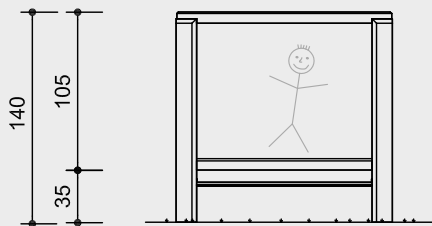
Design and Copyright



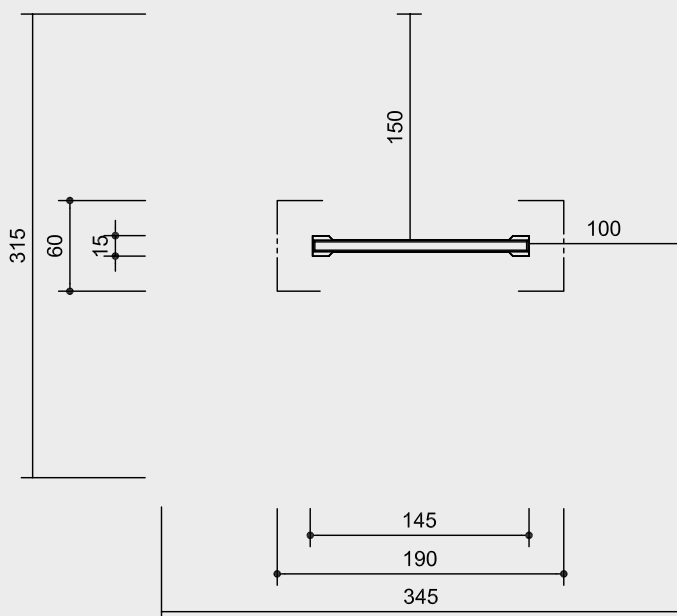
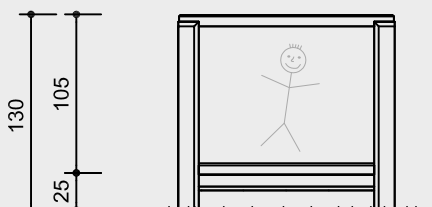
4.24450/4.24455

Order No. 4.24450

scale 1:50



Order No. 4.24455 low version for small children



safety check according to EN 1176

Components

1 drawing board with chalk tray
1 package of liquid chalk pens (6 pieces)

Also available for wall attachment, see **Order No. 4.24460** in the price list.

Installation information

Surfacing requirements
no requirements

Foundations
Order No. 4.24450
2 items 60 x 60 x 60 cm
excavation depth 80 cm

Order No. 4.24455
2 items 60 x 60 x 50 cm
excavation depth 70 cm

Attention:
Exact measurements may vary; for all installation dimensions refer to current assembly instructions.

Technical changes reserved.

Technical information

core-free timber

sawn timbers of non-impregnated mountain larch, core-free, thus decreasing the occurrences of cracking



stand posts of 14/14 cm oak heartwood

drawing board of HPL high-pressure laminated wood, thickness 10 mm

matt surface; colour ultramarine

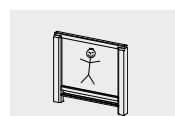
chalk tray made of stainless steel

Dimensions

(small deviations possible)

height	
Order No. 4.24450	1.40 m
Order No. 4.24455	1.30 m
length	1.45 m
width	0.15 m
drawing surface	116 x 92 cm
weight	
Order No. 4.24450	100 kg
Order No. 4.24455	95 kg

Please refer to the price list for a more detailed explanation of the quality characteristics.



4.24450/4.24455

Play value

The Drawing Table is particularly suitable for small children and promotes their scribbling and drawing efforts. Equipped with different coloured chalks, the Drawing Table is a wonderful design element.



© Richter Spielgeräte GmbH 10/15

Fundamental characteristics

- child-oriented dimensions
- natural wooden surface which appeals to the senses
- minimalistic design

Suitable

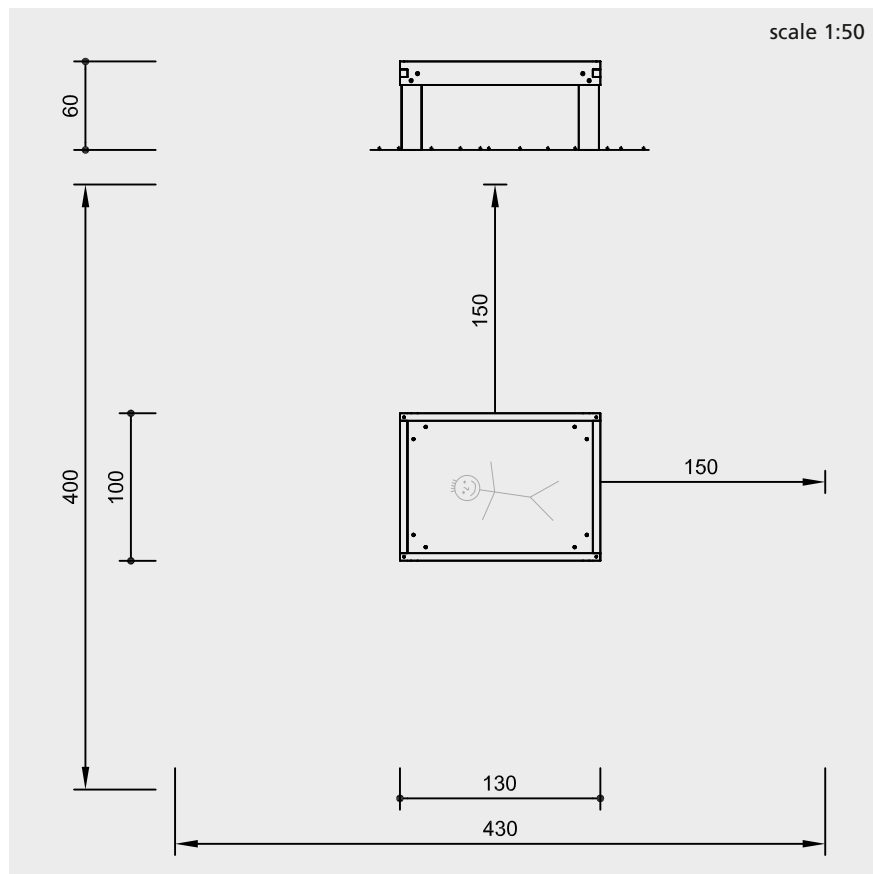
- for small children's areas of: playgrounds situated near houses, kindergartens
- nurseries

Drawing Table

Design and Copyright



4.24457



scale 1:50

Technical information

equipment of non-impregnated mountain larch

core-free timber

sawn timbers core-free, thus decreasing the occurrences of cracking



ground anchor

all parts used for anchoring to the ground made of hot-dip galvanised steel



drawing board of HPL high-pressure laminated wood, thickness 10 mm

surface mat, colour ultramarine

Dimensions

(small deviations possible)

height	0.60 m
length	1.30 m
width	1.00 m
drawing surface	1.20 x 0.85 m
weight	60 kg

For more detailed explanation of the quality characteristics see price list.

Safety check according to EN 1176

Components

- 1 Drawing Table
- 1 package of liquid chalk (6 pieces)
- 4 foundation irons

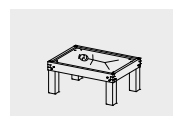
Installation information

Surfacing requirements corresponding to a fall height of ≤ 0.60 m

(please refer to price list for more detailed information)

Foundations (only necessary in order to immobilise the equipment)
 4 items 30 x 30 x 30 cm
 excavation depth 50 cm

Attention:
Exact measurements may vary, for all installation dimensions refer to current installation instructions.
 Technical changes reserved.



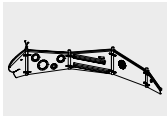
4.24457

G Additional Equipment

- 1 Meeting points
- 2 Playful competition
- 3 Drawing
- 4 **Sensory experiences**

G 4 Sensory experiences

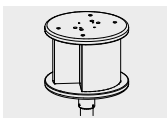
Order No.
Item page



5.00015 609
Caterpillar Type 02



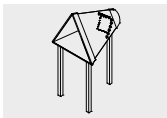
9.10600/9.10700 611
Distorting Mirror



9.41010 613
Mirror Cylinder



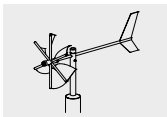
9.40100 615
Open Kaleidoscope



9.40200 617
Star Kaleidoscope



9.63010 ff. 619
Shadow Play



9.65040 ff. 621
Windmills

Play value

The caterpillar is a friendly play offer for small children. The harmonious appearance of the figure and the way in which it is possible to play from both sides offer a lively and pleasant basis for smaller playing spaces. The space partitions promote communicative play, but also make it possible to create borders and divisions of the play areas. This caterpillar type is equipped with coloured discs, a marble run and rotating discs.



Fundamental characteristics

- friendly appearance
- coloured discs
- rotating discs

Suitable

- for small children's areas of:
 - public playgrounds
 - playgrounds situated near houses
 - kindergartens
 - children's homes
 - therapy institutions for children
 - camping sites
- nurseries

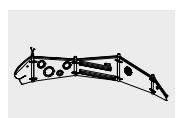
Planning information

The angles of the opposing wall elements and their number can be freely selected to a great extent. Both spread-out as well as more compact floor plans can be constructed. By freely selecting and arranging the individual elements, it is possible to carry out planning according to your requirements. The elements can also be used as partitioning play units without caterpillar head and tail.

Note

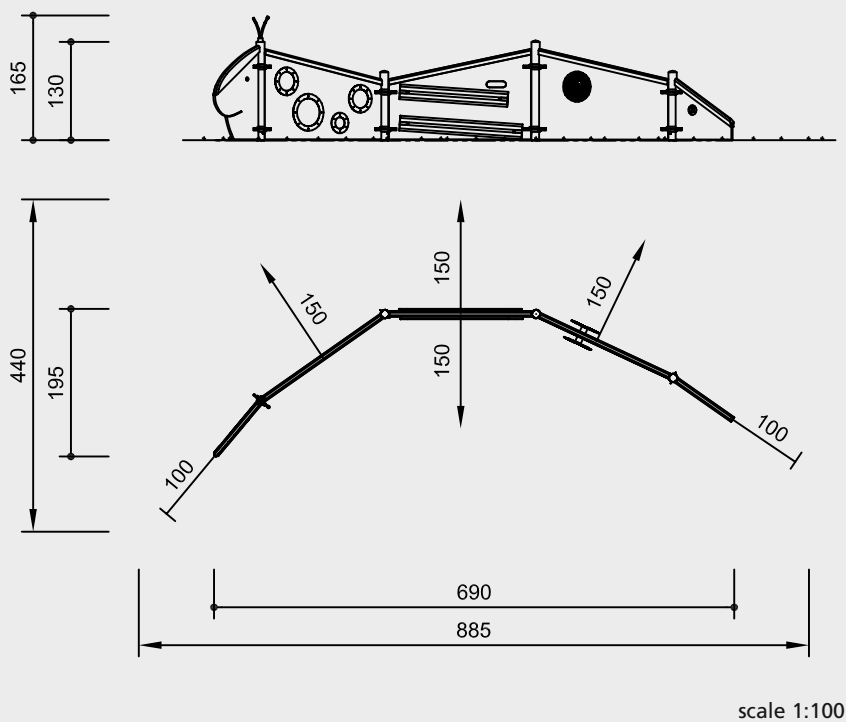
In the standard version, only the head and tail use colour in their design. The elements installed in between are also available with coloured trims at extra charge.

Caterpillar type 02



5.00015

Example of installation



Safety check according to EN 1176

Components

- 1 head with horns
- 1 element: coloured discs
- 1 element: marble run with 6 balls
- 1 element: rotating discs
- 1 tail with bell

Installation information

Surfacing requirements corresponding to a fall height of ≤ 0.60 m (please refer to price list for more detailed information)

Foundations
 4 items 50 x 50 x 40 cm excavation depth 60 cm
 2 items 30 x 30 x 30 cm excavation depth 50 cm

Attention:
Exact measurements may vary, for all installation dimensions refer to current installation instructions.

Technical changes reserved.

Technical information

equipment of non-impregnated mountain larch

core-free
 sawn timbers core-free, thus decreasing the occurrences of cracking



plywood
 wall elements made of waterproof mountain larch plywood board, 30 mm



Corocord® rope special ropes of "Hercules type"
 horns of six-strand Corocord® rope of the special "Hercules type", abrasion-protected through heating of the six steel strands and melting the polyamide sleeve onto them, standard colour rainbow



ground anchor
 posts for bolt on, head and tail with foundation irons made of hot-dip galvanised steel



posts made of stainless steel, glass bead blasted

bell made of brass

colour
 colouring with solvent-free acrylic paints; the wood is processed in a way that allows the structure of the wood to remain clearly visible

Rotating Discs
 disc made of PVC hard integral foam printed-on black and white motif anti-glare surface

ball bearing
 low-maintenance ball bearings maintenance-free ball bearings (long-lasting turning action)



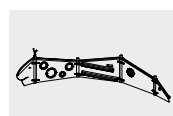
flange and fastening bolts made of stainless steel

Coloured Discs
 made of acrylic glass 3 mm, fastening frame made of stainless steel

Dimensions
 (small deviations possible)

height	1.65 m
height of head	1.30 m
length of the element	
head	1.00 m
middle part	2.00 m
tail	1.00 m
weight	350 kg

For more detailed explanation of the quality characteristics see price list.



5.00015



Function and play value

Stretching, elongating, distorting body contours: The Distorting Mirror allows observers to experience their own body in completely different shapes and figures. Convex, concave or convex at the top and concave at the bottom and vice versa – the Distorting Mirror provides both young and old with a variety of possibilities to explore themselves with an unusual appearance. Sensory perception and fantasy are promoted in an entertaining way and the transformation of your own self and that of other people can be experienced with a sense of enjoyment – laughter included. Whether installed in pedestrian zones, in front of or in public buildings, schools or companies or in leisure areas, a group of Distorting Mirrors serves as a focal point and magnet that really holds your attention.

Fundamental characteristics

- surprising reflections
- promotion of visual perception
- stimulus for communication, social experiences

Suitable

- for all age groups from 4 years
- for entrance areas of public buildings, schools, companies
- for pedestrian zones for public places
- leisure areas, parks
- in waiting areas such as in bus stations, railway stations etc.

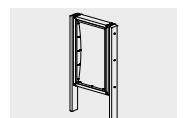


Distorting Mirror

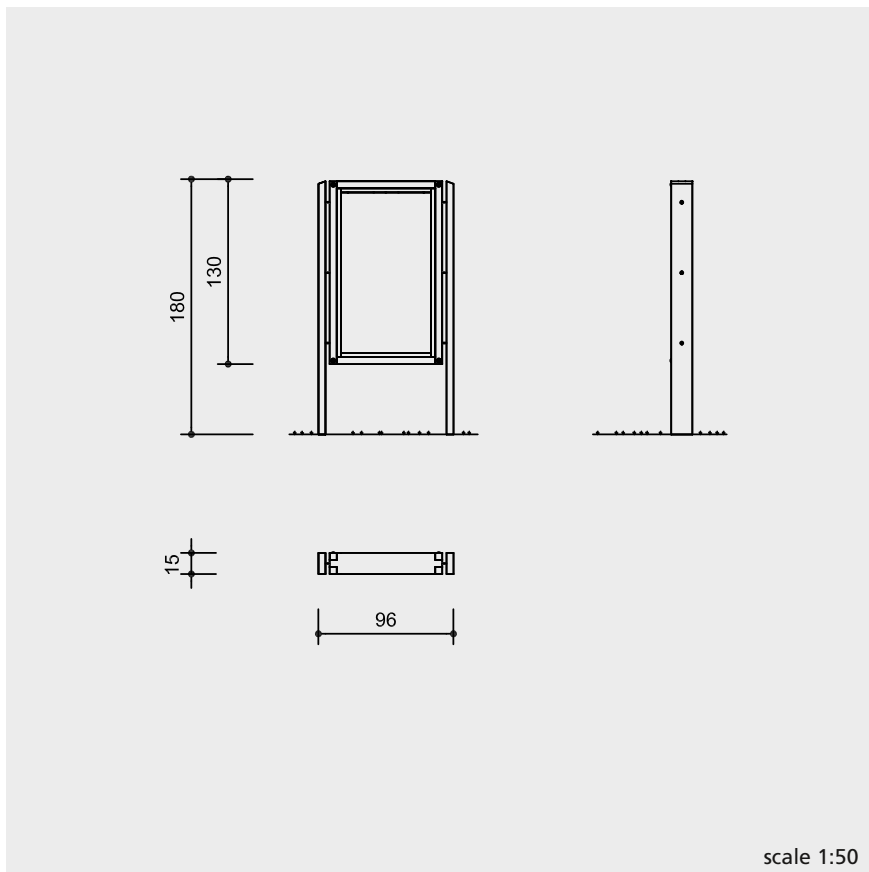


© Richter Spielgeräte GmbH 10/15

Design and Copyright



9.10600



Technical information

of mountain larch, selected according to eight quality criteria, stand posts of oak heartwood 5/15 cm

core-free timber

sawn timbers core-free thus decreasing the occurrence of cracking



mirror made of double-sided, high-gloss polished stainless steel, convex, concave or convex at the top and concave at the bottom as well as vice versa

Dimensions

(small deviations possible)

height	1.80 m
height of frame	1.30 m
length	0.96 m
width	0.15 m
mirror surface	1.20 x 0.70 m
weight	60 kg

For more detailed explanation of the quality characteristics see price list.

Safety check according to EN 1176

Components

1 distorting mirror

Installation information

recommended space including safety distances 6.00 x 2.30 m

foundations 2 items 50 x 50 x 50 cm excavation depth 70 cm

Attention:

Exact measurements may vary, for all installation dimensions refer to current installation instructions.

Technical changes reserved.

The equipment is also available with stand posts made of stainless steel (Order No. 9.10700) or for wall attachment (Order No. 9.10500).



9.10600

Function and play value

The angled surfaces of the Mirror Cylinder with coloured reflections, which vary depending on incidence of light, attract attention from afar. It can be rotated around its own axis which serves as a stimulus for exploration and play. The rotation and the different angles of the mirror sheets create constantly changing mirror reflections, distortions and refractions of light, allowing for concentrated self-observation as well as variable reproduction of the environment. The Mirror Cylinders can be installed at different heights in order to encourage children and adults alike to

watch, marvel and discover.

Due to its straight and clear design the Mirror Cylinder is very suitable for installation in urban areas such as town squares, pedestrian zones, or in front of public buildings. Playgrounds and play gardens will also benefit from the combination of visual play and sensory experience the Mirror Cylinder has to offer.



The Mirror Cylinder is also available in the following versions:

1. coloured version
2. in a group of 3 or 4
3. stacked in a vertical row, e.g. two or three Mirror Cylinders on top of each other.

Alignment of mirror sheets:

Standard angle 90° + 80°

Combinations are possible:

90° + 70°, 90° + 100°, 90° + concave

Arranging the equipment as a group of 3 or 4 creates a very interesting spatial situation, especially through the various angles of the mirror sheets, which adds to the play and experience value.

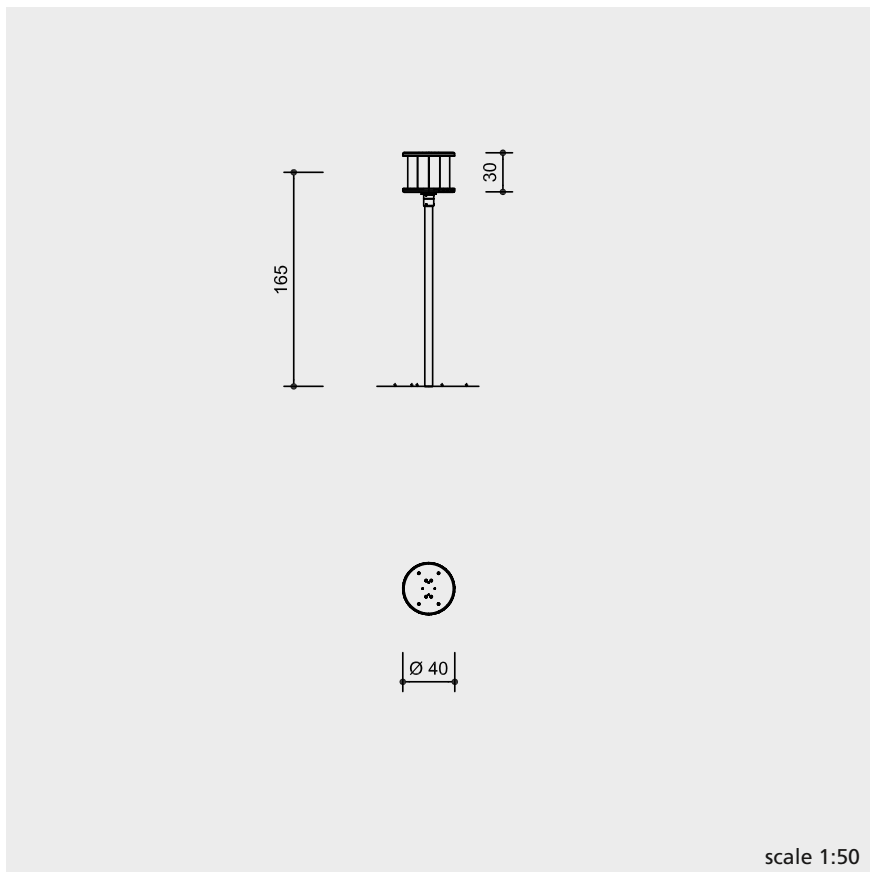
Mirror Cylinder

Copyright © Richter Spielgeräte GmbH 10/15

Design B. Poth-Lengefeld



9.41010



Safety check according to EN 1176

Technical information

support post and mirror sheets made of stainless steel, glass bead blasted

cylinder body made of aluminium, anodised

ground anchor

all parts used for anchoring to the ground made of stainless steel



Dimensions

(small deviations possible)

standard height 1.65 m
 other heights, e.g. for children or wheelchair users available on request

cylinder body	
height	0.30 m
diameter	0.40 m
mirror	0.12 x 0.25 m
weight	45 kg

Please refer to the price list for a more detailed explanation of the quality characteristics.

Components

1 support post with cylinder body for fixation with bolts

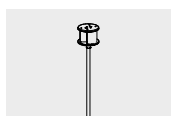
Installation information

Surfacing requirements
 no requirements

recommended space
 including safety distances
 Diameter 3.00 m

foundations
 1 item 40 x 40 x 40 cm
 excavation depth 60 cm

Attention:
Exact measurements may vary, for all installation dimensions refer to current installation instructions.
 Technical changes reserved.



9.41010

Function and Play value

This equipment opens up the secrets of the classic kaleidoscope: three mirrored surfaces are arranged, so that reflections are created, which young and old recognise and once again become fascinated by.

Looking through the kaleidoscope, the images of the still or moving surroundings – furniture, houses, trees, birds etc. - are visibly multiplied.

This typical kaleidoscope multiplication can be observed and understood by the way in which the user manipulates it: small objects in the environment can be captured in the round opening in the mirrored space and individual reflections can be created. By observing the way in which the user's manipulation creates the image, the principle of the kaleidoscope can be made clear to those individuals who are watching and the fascination can be shared.



Fundamental characteristics

- unique and original, appeals to visual senses
- incentive for playing: recognition of the kaleidoscope effect, placing objects inside and reaching into the mirror space
- experience: understanding the correlation between arrangement of reflecting surface and mirror image, playful contact with and understanding of the kaleidoscope principle

Suitable

- for people from 6 years
- for leisure areas, schoolyards
- for places of contemplation or waiting areas
- institutions for people with special needs

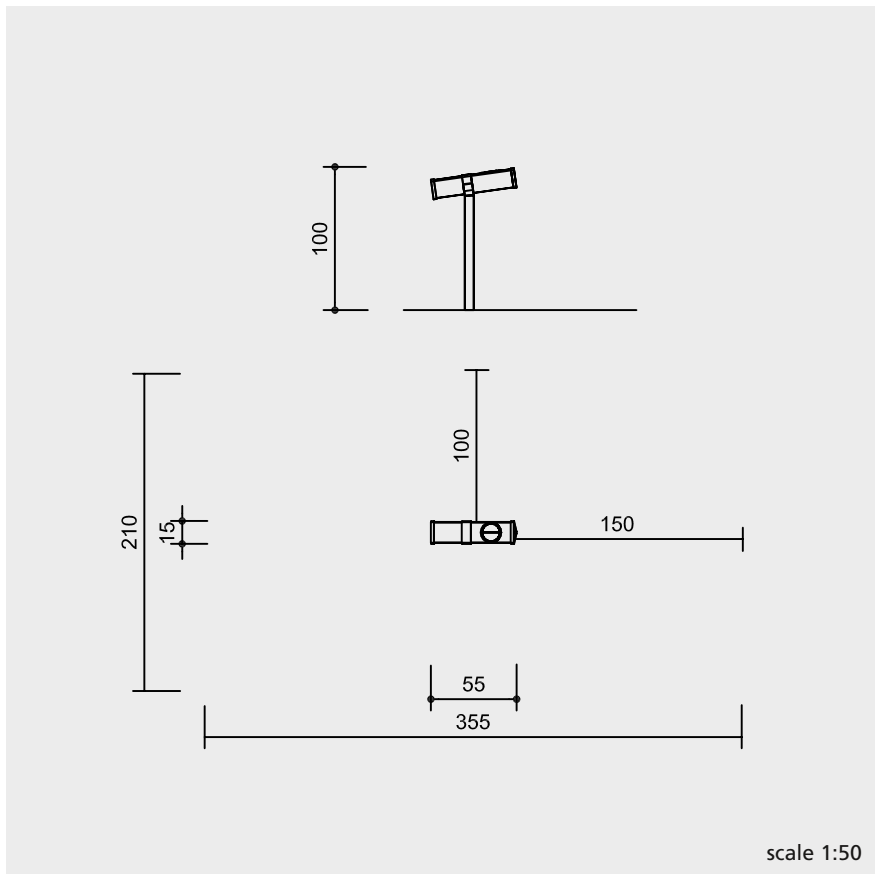


Barrier-free
- independent play

Open Kaleidoscope



9.40100



Safety check according to EN 1176

Technical information

foot and mirror surfaces made of stainless steel, surface edging area bevelled

ground anchor

all parts used for anchoring to the ground made of stainless steel

mirror casing anodised aluminium



Dimensions

(small deviations possible)

height: standard height 1.00 m; other heights on demand (length of the foot variable, the orientation of the kaleidoscope, however, remains the same)

weight 17 kg

Please refer to the price list for a more detailed explanation of the quality characteristics.

Components

1 Open Kaleidoscope
for fixation with bolts

Installation information

Recommended space
3.55 x 2.10 m

Foundations
1 item 40 x 40 x 40 cm
excavation depth 60 cm

Attention:
Exact measurements may vary, for all installation dimensions refer to current installation instructions.
Technical changes reserved.



9.40100



Function and Play value

Looking into this kaleidoscope opens up a new world: the opening in the mirror surface, visible from the outside, now creates a virtual sphere and focuses the attention on the appearance of a polyhedral star. These reflections are created by the arrangement and the opening of the three mirrored surfaces. The Star Kaleidoscope makes it possible to observe the visual transformation from a flat mirror to the appearance of a three-dimensional reflection. Observers of every age can change the reflections by covering and then reopening the surface opening: for training the senses or simply for the pleasure of looking at it.

Fundamental characteristics

- unique and original, appeals to visual senses
- incentive for playing: discovery of virtual sphere and star
- playful covering and reopening of the surfaces (light) openings
- experience: understanding of space and the creation of images in connection with the incidence of light, reflection and surface openings

Suitable

- for people from 6 years
- for leisure areas, schoolyards
- for places of contemplation, public waiting areas and plazas
- institutions for people with special needs

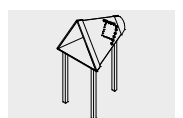


Barrier-free
- independent play

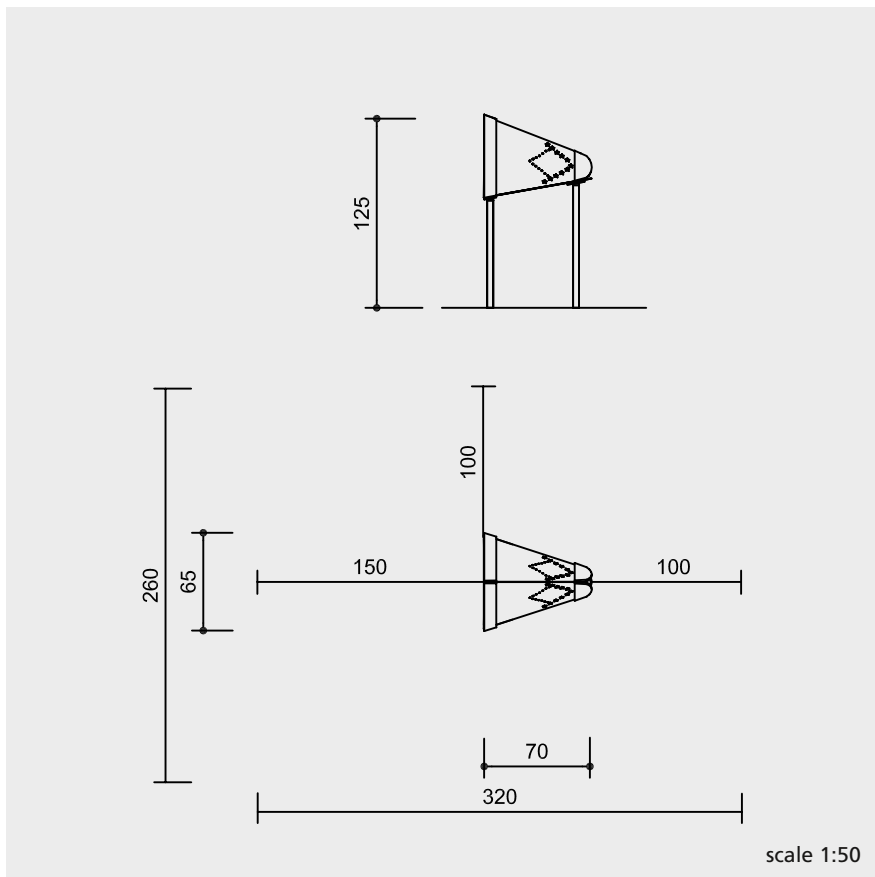
Star Kaleidoscope

Copyright © Richter Spielgeräte GmbH 10/15

Design : T. Brückmann-Olivier & M. Sommer



9.40200



Technical information

foot and mirror surfaces made of stainless steel, surface edging area bevelled

ground anchor

all parts used for anchoring to the ground made of stainless steel



mirror casing anodised aluminium

Dimensions

(small deviations possible)

height: standard height 1.00 m; other heights on demand (the orientation of the kaleidoscope, however, remains the same)

weight 32 kg

Please refer to the price list for a more detailed explanation of the quality characteristics.

Safety check according to EN 1176

Components

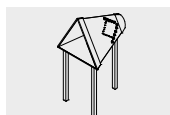
1 Star Kaleidoscope
for fixation for bolts

Installation information

Recommended space
3.20 x 2.60 m

Foundations
1 item 80 x 30 x 40 cm
1 item 30 x 30 x 40 cm
excavation depth each 60 cm

Attention:
Exact measurements may vary, for all installation dimensions refer to current installation instructions.
Technical changes reserved.



9.40200

Function and Play value

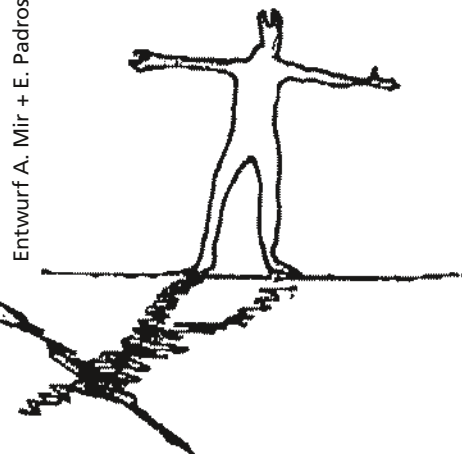
This collection of elements encourages a play with light, shadows and colours that is open to change and manipulation. This play will be different depending on the age of the person that interacts with it, his/her abilities and motivations. The results will also change depending on the weather, the hour of the day or the season of the year. The 360° rotating poles offer kids and adults the possibility of overlapping colours and shadows, and creating new stories and situations.



Copyright © Richter Spielgeräte GmbH 10/15

Entwurf A. Mir + E. Padros - emiliana design studio

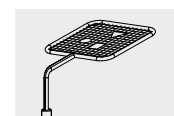
„Shadowplay“ promotes a physical interaction, but also the symbolic and the exploratory play that invites us to understand how and why things happen around us.



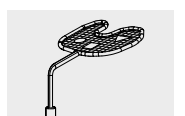
Shadowplay
round
square
amorphous



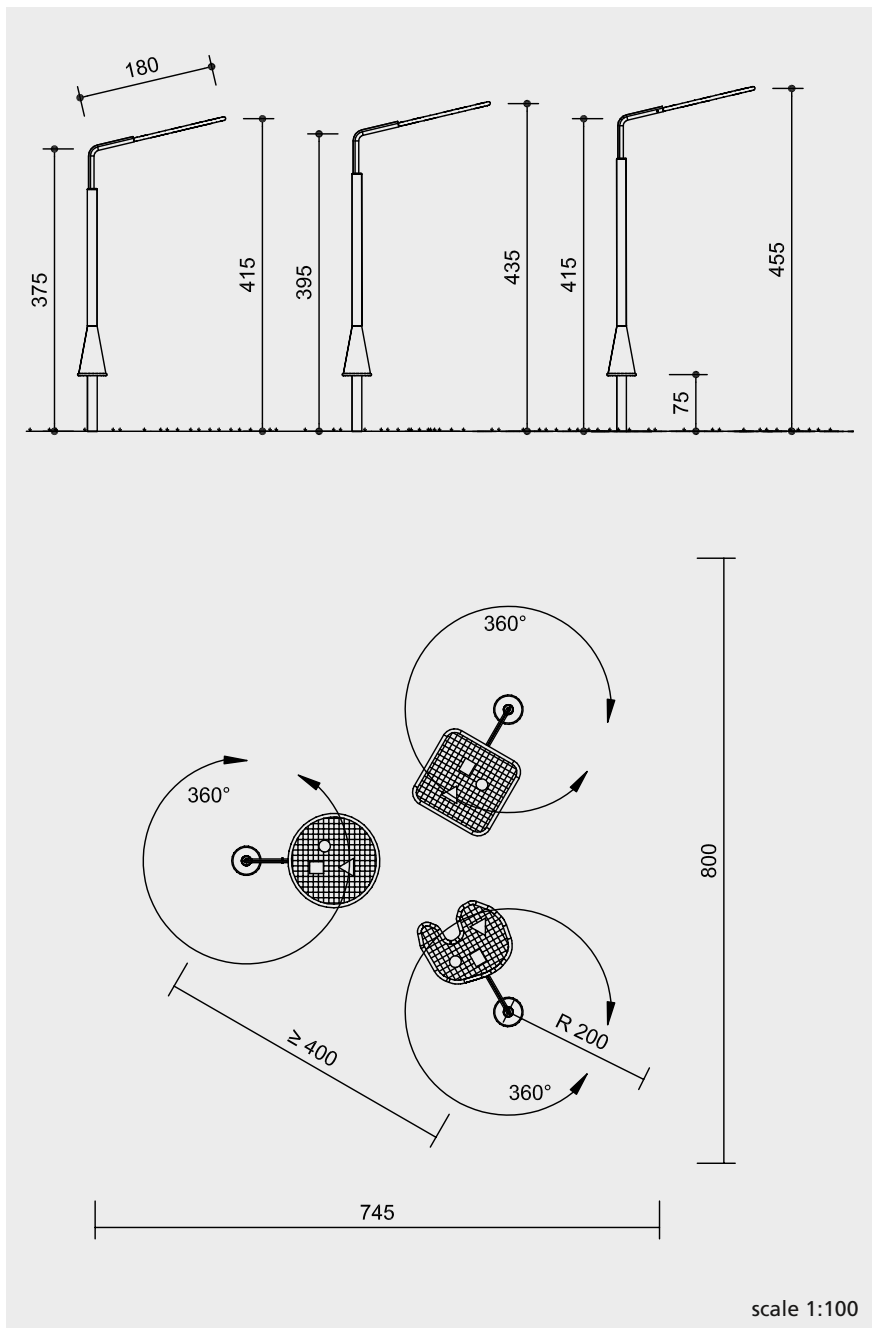
9.63010



9.63020



9.63030



Technical information

post and pylon made of stainless steel

ground anchor

all parts used for anchoring to the ground made of stainless steel

sturdy pivot bearing with lubricating nipple

grid made of metal with filling of coloured acryl glass, possible motive:



Dimensions

(small deviations possible)

depends on type of construction

total height	4.15/4.35/4.55 m
hight of the posts	3.75/3.95/4.15 m
grid diameter	1.80 m
weight	95 kg



Please refer to the price list for a more detailed explanation of the quality characteristics.

Components

1 complete equipment

Installation information

Surfacing requirements
no requirements

Foundations
1 item 100 x 100 x 60 cm
excavation depth 80 cm

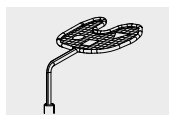
Attention:
Exact measurements may vary, for all installation dimensions refer to current installation instructions.
Technical changes reserved.



9.63010



9.63020



9.63030



Order No. 3.42050 Wind Cone on Pyramid Tower



Order No. 9.65045 Six-fan Windmill on galvanised post

Function and Play value

Windmills, placed on top of our Pyramid Towers or on a post, are suited as a playground marker. They signal that here is something going on. Windmills contribute to the experience of the element air and make the power of wind visible. Installed in groups, currents of air can be observed.

Fundamental characteristics

- high-quality design
- attractive marking of a playground
- coloured design on request

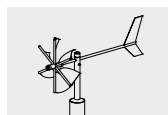


Order No. 9.65085 Light Windmill, coloured, on galvanised post

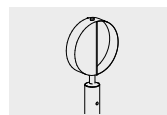
Windmills



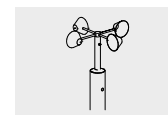
Order No. 9.65062 Wind Disc for attachment



9.65040



9.65060

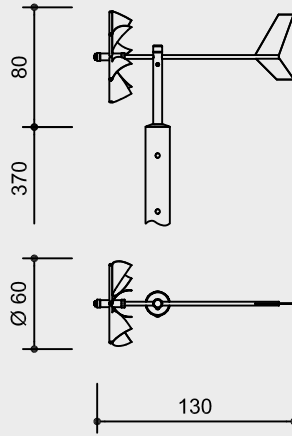
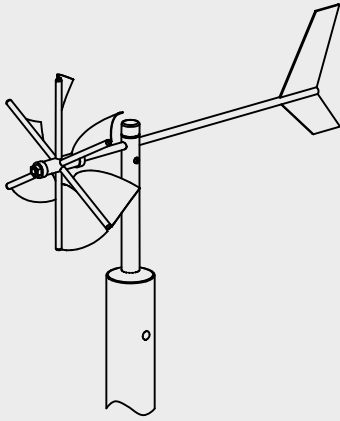


9.65070

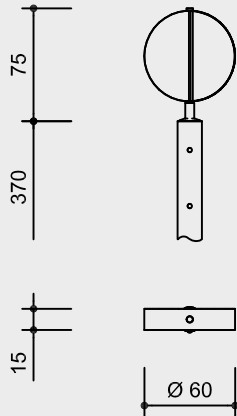
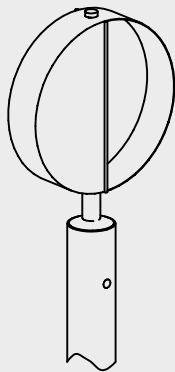


9.65080

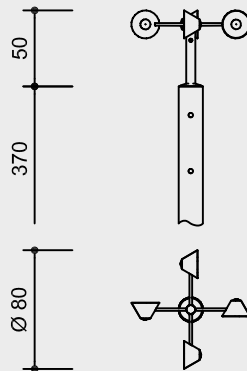
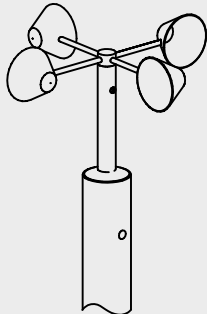
Order No. 9.65040 Six-fan Windmill



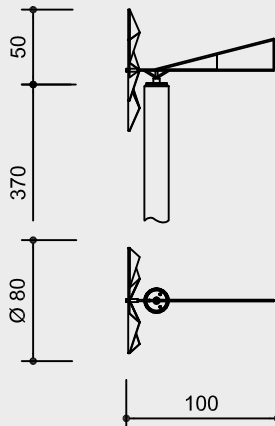
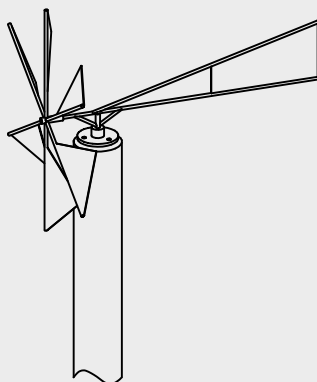
Order No. 9.65060 Wind Disc



Order No. 9.65070 Wind Cone

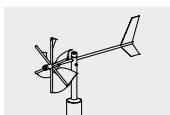


Order No. 9.65080 Light Windmill

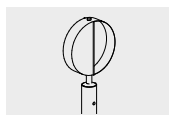


scale 1:50

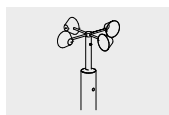
Safety check according to EN 1176



9.65040



9.65060



9.65070



9.65080

Technical information

windmills of stainless steel, glass bead blasted

support posts of wood:

de-barked

de-barked posts, Ø 15 - 18 cm, of spruce/fir, boiler pressure impregnated according to DIN 68800-3, use class 4



ball bearing

windmills and windmill axles mounted on low-maintenance ball bearings



support posts of steel:

post tube Ø 101,6 x 6 mm, hot-dip galvanised

coloured design with acrylic paint used for cars on request

brass bush

the axle of the lightweight windmill is mounted on brass bushes, for all to and fro movements we use bush bearings which allow for self-lubrication while in use and which can be easily exchanged in case of need



Dimensions

(small deviations possible)

height of posts 3.70 m

Order No. 9.65040 Six-fan Windmill

Windmill
height 0.80 m
diameter 0.60 m
length 1.30 m
weight with post 85 kg

Order No. 9.65060 Wind Disc

Windmill
height 0.75 m
diameter 0.60 m
weight with post 85 kg

Order No. 9.65070 Wind Cone

Windmill
height 0.50 m
diameter 0.80 m
weight with post 75 kg

Order No. 9.65080 Light Windmill

Windmill
height 0.50 m
diameter 0.80 m
length 1.00 m
weight with post 70 kg

Components

1 part each

Installation information

Surfacing requirements
no requirements

Foundations
1 item 80 x 80 x 60 cm
excavation depth 80 cm

Attention:

Exact measurements may vary, for all installation dimensions refer to current installation instructions.

Technical changes reserved.

Equipment also available with steel feet.

For more detailed explanation of the quality characteristics see price list.

H Other Useful Information

On the topics of materials:
wood · rope · stainless steel

Materials - Wooden parts

Treating and processing of wood

Wood is a natural, non-homogeneous material which reacts to changes in the surrounding humidity by varying its volume. Humidity makes the wood swell - it increases in volume while any decrease in humidity will make it shrink in volume.

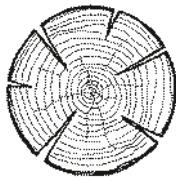
As wood is a non-homogeneous material, these changes in volume will affect some parts of the wood more than others in different directions.

This not only changes the volume but the timber itself can change shape, by buckling, twisting and cracking.

The extent to which wood warps is not equal in all directions:

- in the direction of the fibres (length) insignificant
- in the direction of the medullar ray (from the core outwards) < 5%
- in the direction of year rings < 10 %

The effects of warping are most apparent when the timber has just been cut and the trunk begins to dry. At first no change can be observed in the shape of the timber since it is only free water that is diffused from the cell hollows. When the air humidity becomes so low that the wood

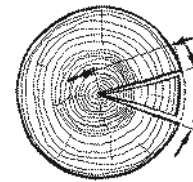


can release moisture into the air around it the wood starts losing humidity from its fibres and cell membranes. This is the time when changes in volume and the shape of the timber occur (shrinkage reaction). The trunk becomes only slightly shorter in length.

Its diameter decreases too - in dry conditions (WH = 0%) up to 5% and often splits in the process. In the direction of the year rings, in other words tangentially, this value is 10%.

What happens?

The atmospheric moisture drops or is very low. The humidity in the wood also drops until it is equal to the degree of humidity in the air. Simultaneously, the wood tries to contract: in length very little, in width (radial-medullar ray) several times greater and in the direction of the



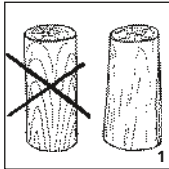
year rings (circumferential/ tangential) double the magnitude of the radial-medullar rays. Due to these variations in shrinking in different directions stresses occur around the neutral core, which can cause the wood to split in the event of great moisture loss. After any drying of the timber, the "piece of pie" in the diagram will be smaller and slimmer.



Round timber poles – de-barked

De-barked means:

Firstly, the timber is turned under two rotating cutter heads with a feeler element placed in front of each tool which carefully limits the amount milled. A maximum of 2 cm is milled all round. Larch is de-barked practically splint free. This way, the natural unevenness of the timber is preserved.



Its lower part remains thicker than its upper end, and if it was oval-shaped this will not change. Likewise, any curves in the timber will merely be slightly flattened.

We chose this type of manufacture because the natural irregular structure does not get lost. These irregular timbers hinder the subsequent processing of the logs in the factory and this does not permit industrial production of play equipment. That is why every product is completely built by hand and dismantled for transportation.

Handcrafted production

1. Careful selection of wood and individual treatment leads to a unique product even if it is a standard item;
2. Our method of assembly allows for good fit when reassembled even though it is not modular;
3. Social comradeship in the workshop leads to 'happy' equipment.

Disadvantages of circular milling

The timber is processed into uniformly shaped trunks by means of a stationary milling cutter with a pre-determined cutting diameter. This method removes any irregularities and provides a raw material that is easily used in production and processed with templates and other facilities. The disadvantage is that the easily impregnated sapwood especially at the lower end of the trunk is milled off leaving the more difficult to impregnate core at the surface. Moreover, wood fibres are cut, which open and take in moisture if the pole is installed upside down.

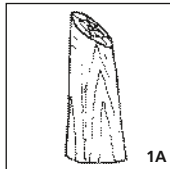
These disadvantages do not occur in de-barking. Therefore, we use de-barked trunks instead of milled trunks – with a few exceptions depending on the technical requirements.



Treating and processing of wood

Angle cut

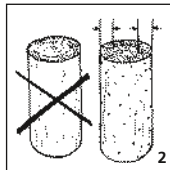
Vertical support posts with angle cut in the end grain section as constructional wood preservation.



This contributes to increased durability of the wood as less moisture content is contained in these problem zones and fungal attacks are not as aggressive. As an additional protection, paraffin wax is painted on to the upper-end grain areas.

Perforated

Whenever we use chemical wood preservation for construction parts which come into contact with the ground, the wood is boiler pressure impregnated according to DIN 68800, hazards class 4.



The particularly endangered earth/air zone of the wood is perforated by a number of small bore holes with a diameter of 3 mm, depth 30 mm, before they are impregnated 40 cm above and below ground level. This ensures that the impregnating agent penetrates the part of the timber that is most prone to fungus. We copied this process from the German Federal Post Office.

Much of the Richter equipment is built using unimpregnated timbers, such as mountain larch, oak, robinia.

Fürstenberg Permadur System

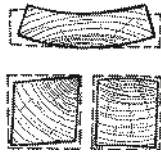
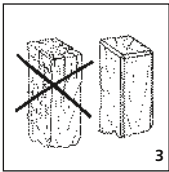
In special cases such as one-legged pieces of equipment and for the climbing forest trunks, we use the **patented Fürstenberg Permadur System** as an additional protective measure in the earth/air zone, which is particularly susceptible to wood-destroying fungi. The service life of the posts is increased by the sheathing method, which cuts off the essential supply of oxygen to the fungi. The plastic protective sheath also serves to prevent the copper and zinc ions – poisonous to the fungi – in the brass foil underneath it from seeping into the soil.



Core-free

As stress around a core is not built up in an open system, but in a closed and, in the present case, ring-shaped system, any change in shape generally results in splitting.

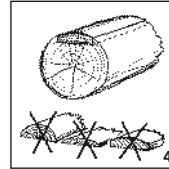
To reduce such formation of cracks in timber used for play equipment, wood is cut in such a way that core-free cross-sections are obtained. But even by eliminating splits as one of the major causes of changes in volume, craftsmen working



the wood still have to consider the shrinking of core-free timber (and swelling if humidity is absorbed - increasing its volume). By using appropriate and professional processing and manufacturing methods these properties inherent in wood become effectively controllable.

Claddings

Claddings are edge boards that are sawn on three sides and that are produced by cutting into thick round timber. The outside of the tree is manually white-peeled on a rotary saw. This way an irregularly structured surface is obtained.



This processing by hand is very costly in production and in subsequent treatment. Using any of the known mechanical processing methods for boards and/or planks aimed at imitating the structure of claddings will result in a lumpy, rustic board without natural structure.

Stability

Besides the formal advantage of the cladding structure, the use of claddings allows a considerable improvement in quality in comparison to the use of timber-halves of soft wood as this way a greater quantity of material per surface area is used. The claddings of towers have a thickness ranging from 3 to 6 cm and a width from 14 to 18 cm, while at the thinnest point of their half-rounding they are still about 1 cm thick enabling, among other things, wide spacing between screws. This adds lateral stability to the sides of the walls and roofs of our play equipment.



Materials - Ropes

Corocord® ropes special ropes of the "Hercules type"

These special ropes consist of six galvanised, steel-wire strands. Each individual strand has a polyamide yarn tightly wrapped around it; edge ropes are additionally reinforced by a steel-wire core. Corocord® ropes are tempered, which means the polyamide yarn is inductively fused around each steel-wire cable, so that when friction removes the surface fibres of the yarn, a hard polyamide coating remains to protect each strand. This process significantly increases the abrasion resistance.



Edge rope



Net rope



Corocord® ropes feel pleasant to the touch and are ideally suited to be gripped by children's hands.

Materials - Stainless steel

Why do we use this material?

Products made of stainless steel have a high-quality appearance. We value the robustness and elegance of stainless steel. The material inspires our designers to create special shapes and concepts.

In particular, water play equipment made of stainless steel facilitates the experience of water as a pure, clear element.

In urban environments, in pedestrian areas or in squares, activity and play equipment made of stainless steel harmonises particularly well with the environment.

Products made of stainless steel in combination with other high-quality materials lend character to a location and are a sign of high standards.



5.42050 Nautilus Snail

Stainless steel has play value

The play value of stainless steel, like wood, can be attributed to its special sensory appeal. Temperature differences can be very clearly felt, the reflection of light is appealing to look at, the possibilities of making noises with stainless steel is very interesting – especially for children.

Stainless steel as a material for water play heightens the experience of water.

We use two kinds of stainless steel

Grade 1.4301 = a corrosion-resistant and iron-based alloy with an iron content of at least 50 %. The alloying element chrome is the most important element for stainless steel because only if the chrome content is more than 12 % is the steel provided with corrosion resistance. The surface is glass bead blasted.

This material is designated as standard under the name "stainless steel" and is non-corrosive under normal environmental conditions

Grade 1.4571 is used by us when strong stresses are placed on equipment such as chlorinated water or sea water. Almost all equipment made from "standard" stainless steel are also available made of grade 1.4571 steel at an additional charge.

