

# CHRISTIE

## Modular Series Single Barbecue Cabinet

Christie's flat-packed Modular Series barbecue cabinets set the standard for pre-fabricated public barbecue surrounds. They are versatile, compact, easy to assemble, and very tough - to withstand continued use in the most demanding locations and harshest environments.



### KEY FEATURES:

- Hygienic stainless-steel benchtop with low-impact corner inserts for added safety
- Heavy duty aluminium, concrete and stainless steel construction for ultimate durability and corrosion resistance
- Customize with panel colours, cooktop or bench only configurations
- Shipped flat-packed for easy site access and reduced freight costs
- Fast, simple assembly by any competent person
- Grease trap for ease of removal and cleaning

Product shown with our CC2 electric cooktop. Single cabinets can also be ordered with our natural gas or reticulated LPG configured cooktops.

Modular barbecue frames and doors come powder coated in Aztec Silver as standard for maximum durability. Custom colours are available at additional cost.

### STANDARD PANEL COLOUR OPTIONS:



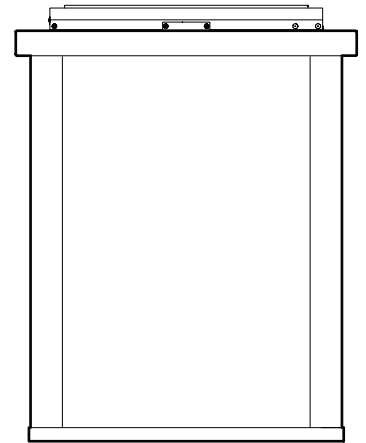
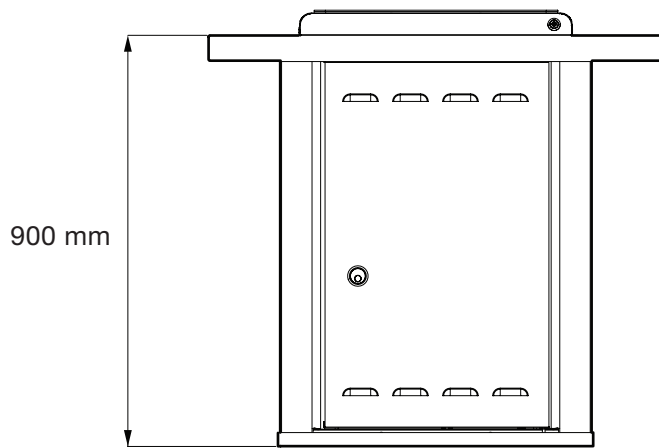
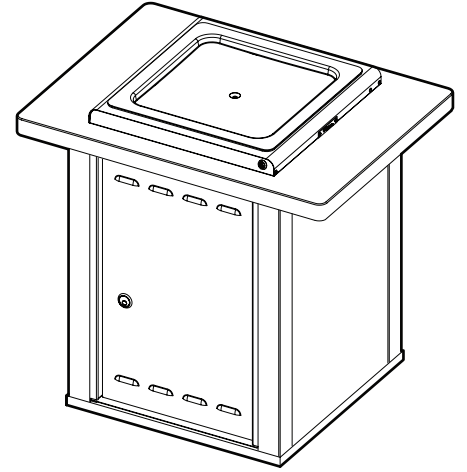
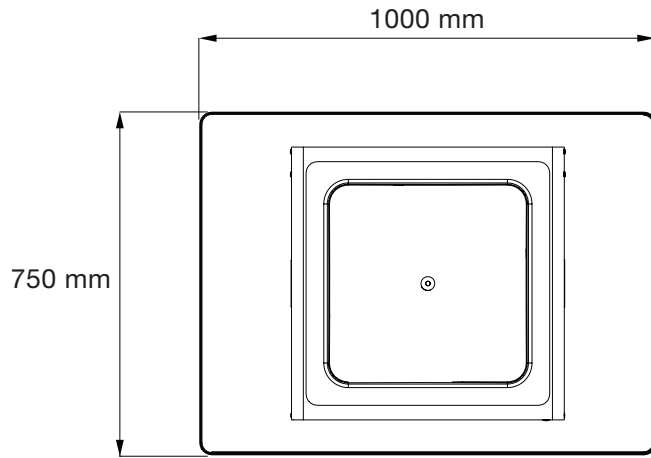
Custom panel colours are available and may incur additional cost.

### OPTIONS:

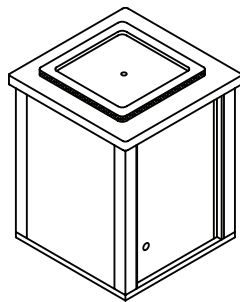


# Christie Modular Series Single Barbecue Cabinet

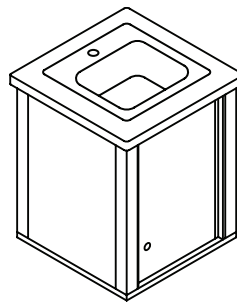
## DIMENSIONS:



## CONFIGURATIONS:



MOD-E-1.1 (Electric)  
MOD-G-1.1 (Gas)



MOD-1.1 Sink