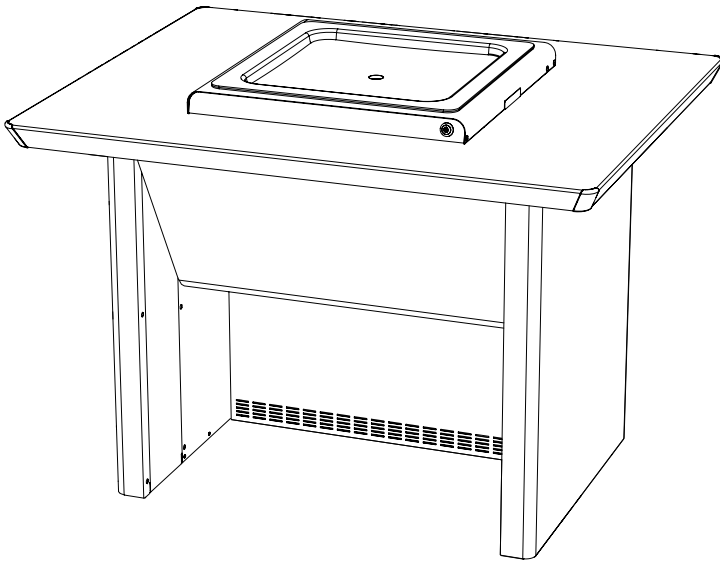


CHRISTIE

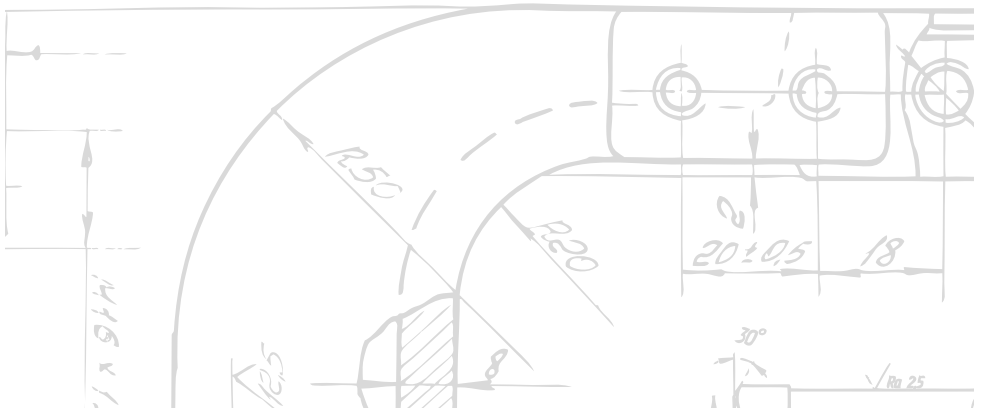
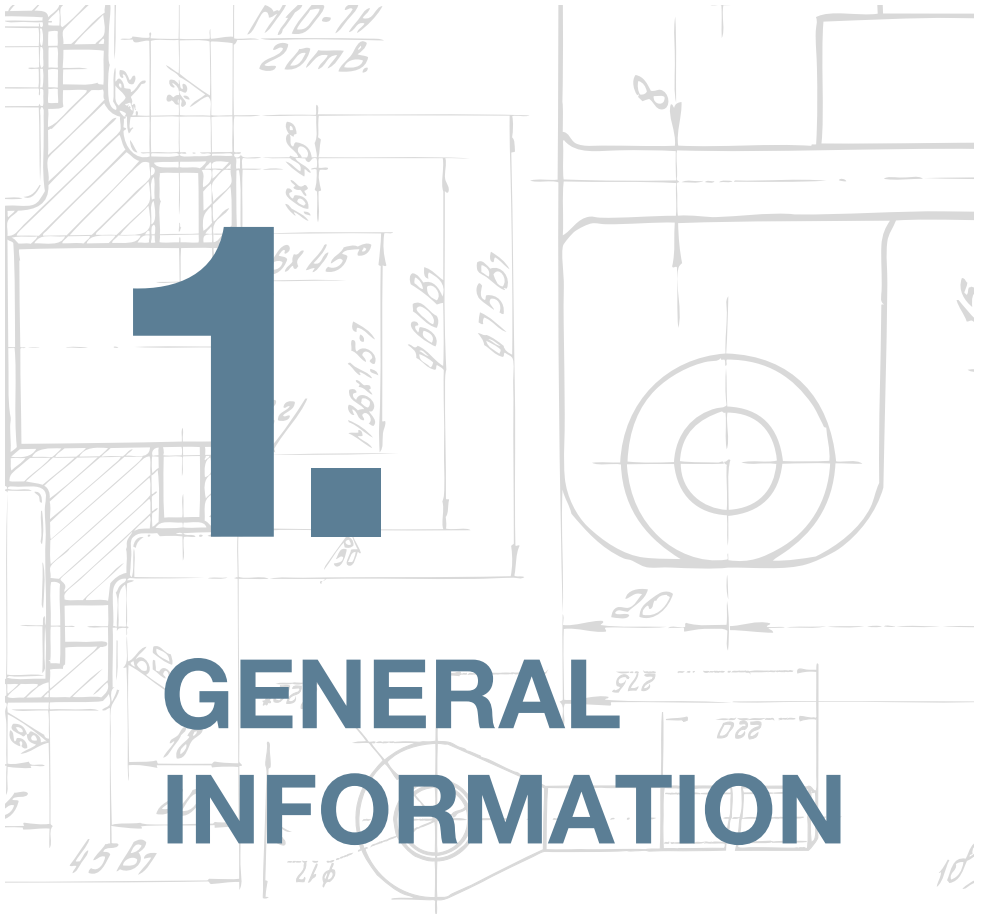
ICON Series Cabinet Standard and Large Product and Assembly Manual



Product number 1560, 1561, 1562, 1563,
1564, 1566, 1567, 1568, 1569, 1570, 1571,
1572, 1573, 1574, 1575

Please read all relevant parts
of this manual carefully before
commencing product assembly.

1	GENERAL INFORMATION	3
1.1	Safety instructions	4
1.2	How to read this manual	4
1.3	Manufacturer liability	5
1.4	Conditions of use	5
1.5	Description	5
1.6	Disposal	5
2	SPECIFICATIONS	6
2.1	Siting Guidelines	7
2.2	Tools required	7
2.3	Specifications	7
3	STANDARD CABINET DIMENSIONS AND INSTALLATION	8
3.1	Standard Cabinet - dimensions Figure 1	9
3.2	Standard Cabinet - services and footings Figure 2, 3	10
3.3	Standard Cabinet - boxed contents and parts identification Figure 4	12
3.4	Assembly and installation Figure 5, 6, 7, 8, 9, 10,11, 12, 13, 14, 15, 16, 17, 18	13
4	LARGE CABINET DIMENSIONS AND INSTALLATION	24
4.1	Large Cabinet - dimensions Figure 19	25
4.2	Large Cabinet - services and footings Figure 20, 21	26
4.3	Large Cabinet - boxed contents and parts identification Figure 22	28
4.4	Assembly and installation Figure 23,24, 25, 26, 27, 28, 29, 30, 31, 32, 33, 34, 35, 36	29
5	OPTIONS AND ACCESSORIES	40
6	CLEANING AND MAINTENANCE	42
6.1	Safety considerations	43
6.2	Environmental considerations	43
6.3	Cleaning and general maintenance	43
6.4	Cleaning waste containers Figure 37	44
7	WARRANTY	46



1.1 Safety instructions

Risk of personal injury

- Altering the product or variation from the original specification may result in injury and void the Product Warranty
- Use personal protection equipment including gloves, safety glasses, and ear protection during installation
- Do not sit or stand on the barbecue cabinet at any time
- For safety reasons, do not store (LPG) gas bottles inside the cabinet at any time

Risk of damage to the product

- During assembly, take suitable precautions against scratching surfaces and components
- Corrosive cleaning products may damage the surfaces and coatings, voiding any warranty claim. Use only non-toxic, pH-neutral cleaning products (with a pH between 6 and 9)
- Products intended for cleaning mild steel may damage stainless steel surfaces and must not be used
- Do not place heavy objects on the benchtop

1.2 How to read this manual

Chapter headings and subheading are listed in the Table of Contents along with the relevant page numbers.

Key words:

- “Must” and “must not” are mandatory instructions
- “Should” and “should not” are advisory instructions

The following icon is used throughout the manual



Warning or Caution icons warn how to prevent personal injury and product damage

1.3 Manufacturer's liability

The manufacturer declines all liability for damage to persons or property caused by:

- The use of non-original spare parts
- Use of the product other than as intended
- Modifying or tampering with any part of the product
- Not observing the instructions contained in this Product and Assembly Manual

1.4 Conditions of use

- The product must be assembled, installed and maintained as per the manufacturer's instructions
- Christie cabinets are intended for use with Christie cooktops only
- Christie Barbecues accepts no responsibility for warranty repairs made without prior authorisation
- This manual should be kept in its entirety for the design life of the product
- The safety instructions in Section 1.1 form part of the Conditions of Use

1.5 Description

- The ICON Series is a robust, durable barbecue cabinet, designed to safely house Christie barbecue cooktops and waste containers
- Cabinets are shipped flat-packed to reduce transportation costs and facilitate site access. They are ready for assembly by following the step-by-step instructions in this manual
- Stainless-steel construction provides ultimate vandal resistance and ease of cleaning and maintenance

1.6 Disposal

- The product does not contain substances considered hazardous to health or the environment, according to current Australian and European directives
- When disposing of the product, please remove and deliver the metal components to an appropriate recycling facility
- Christie appliances are packaged in non-polluting and recyclable materials. Please recycle according to local regulations



2.1 Siting Guidelines

- Barbecue facilities should be installed in plain view, where they can be monitored for safe and appropriate use
- Ensure there are no climbing aids that will allow children access to the cooking surface
- Cabinet doors require a minimum 1000 mm clearance when opened
- Ensure there is at least 1200 mm clearance above barbecue cooking surfaces
- Due to the nature of this product, it requires clear access to all sides. The recommended minimum slab size is 900 mm larger than the cabinet benchtop on all sides
- Recommended slab thickness is 100 mm
- When designing for access and mobility in Australia and New Zealand, please refer to the Australian Standard, AS 1428 (Design for access and mobility)

2.2 Tools required

Important: Do not use an impact driver.

- 10 mm Spanner
- Masonry drill with 8 mm masonry drill bit
- Masonry anchors to suit 8 mm diameter hole (a minimum of 4 anchors required for all cabinets)
- Spanner to suit masonry anchors

2.3 Specifications

Christie ICON Series barbecue cabinets are manufactured entirely from stainless steel for ultimate durability and corrosion resistance.

ICON cabinets are available in #4 brushed stainless steel finish, or powder coated in an extensive range of powder coating colours. The product is designed to allow for several configurations and combinations of sinks and cooktops.

Note: All illustrations and instructions apply only to standard cabinets. Some assembly and parts supplied for custom configurations may vary from what is specified in this manual.

3.

ICON SERIES STANDARD CABINET

dimensions and installation

(For ICON Series Large Cabinet installation, see Section 4)

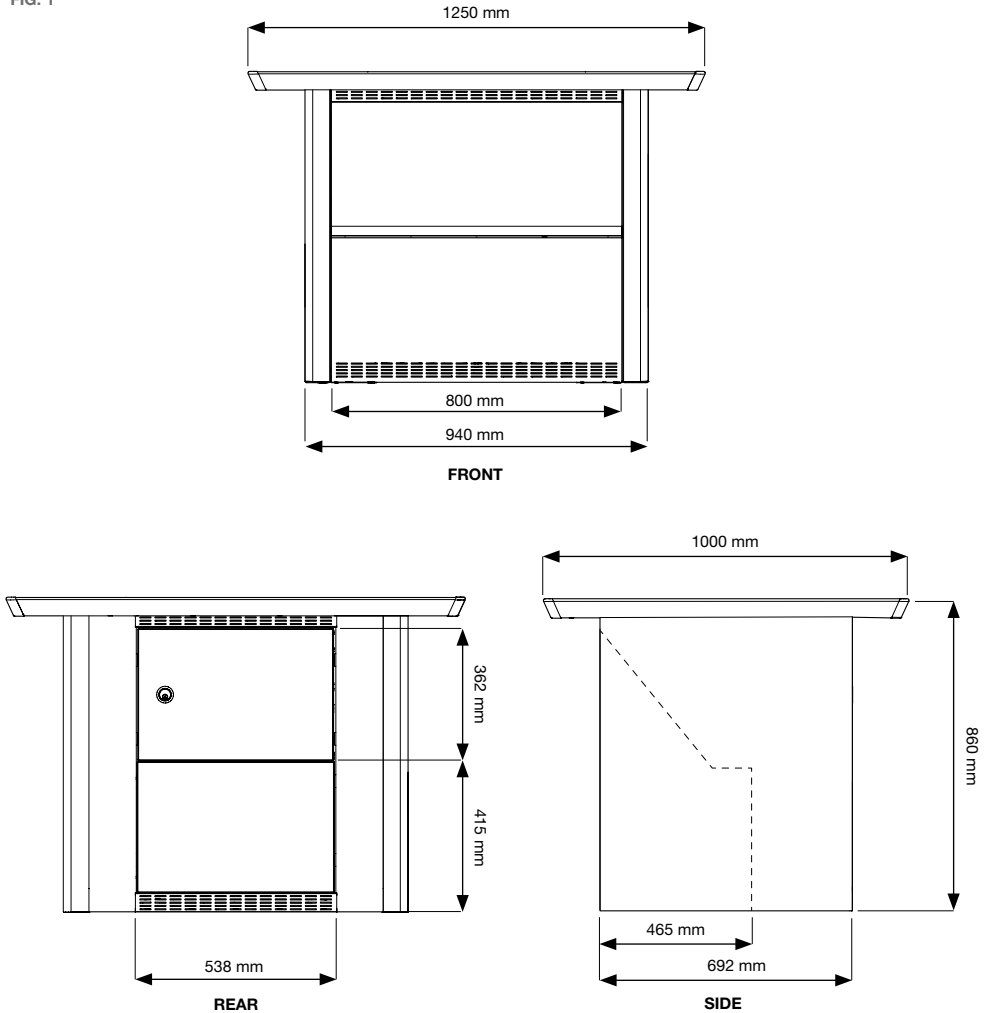
3.1 Standard Cabinet - dimensions

Dimensions: 1250 mm wide x 1000 mm deep x 860 mm high

Weight: 70 kg (without cooktop)

Cooktop cut-out: 495 mm x 495 mm

FIG. 1



3.2 Standard Cabinet - services and footings

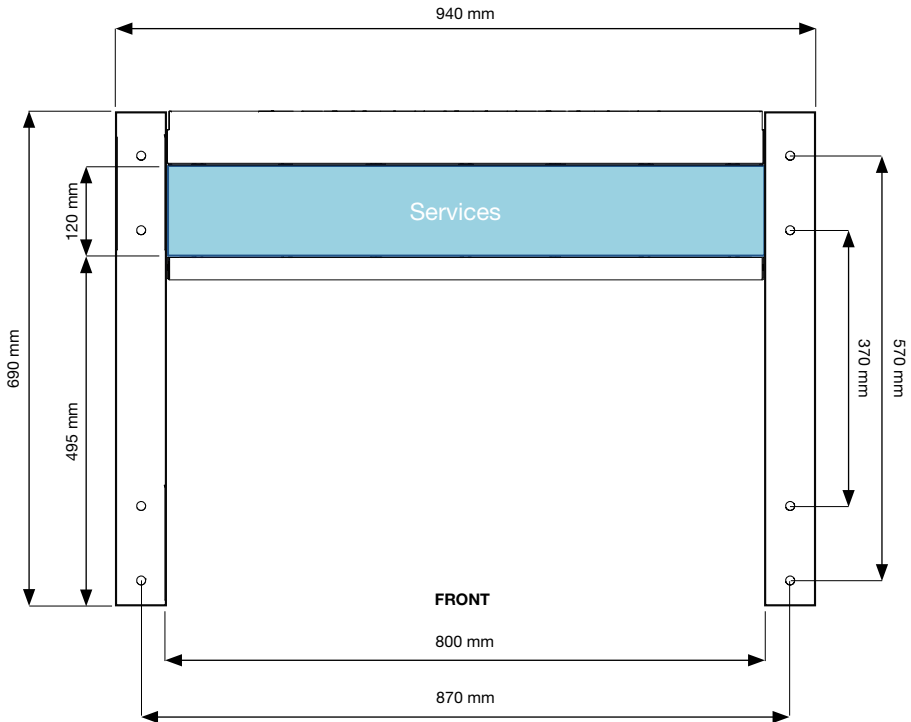


WARNING: All work on underground services must be carried out only by suitably qualified trades people i.e. electricians or gas fitters.

Footings and underground services:

- Bring up underground services (electrical conduits, gas and water pipes and waste outlets) in the highlighted areas only
- Position the gas or electric services relative to the preferred location and orientation of the cooktop(s)

FIG. 2



3.2 Standard Cabinet - services and footings

Terminating the services:

Terminate services for standard cabinet configurations in the locations indicated below. These locations will differ, depending on whether gas or electric cooktops are installed.

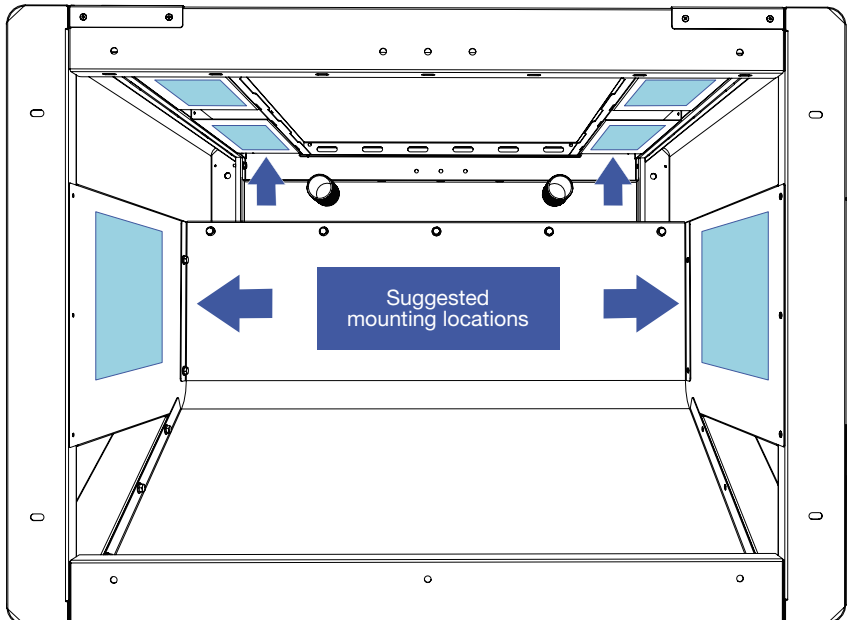
For Christie CC2 Gas Barbecue Cooktop:

- The gas inlet is on the right-hand side when facing the front of the cooktop
- The power supply cable is on the right-hand side when facing the cooktop
- Position the 10A electrical socket (GPO) at least 600 mm above ground (if required)
- Position the battery box on either side of the waste container (if required)

Christie Electric CC2 Barbecue Cooktop:

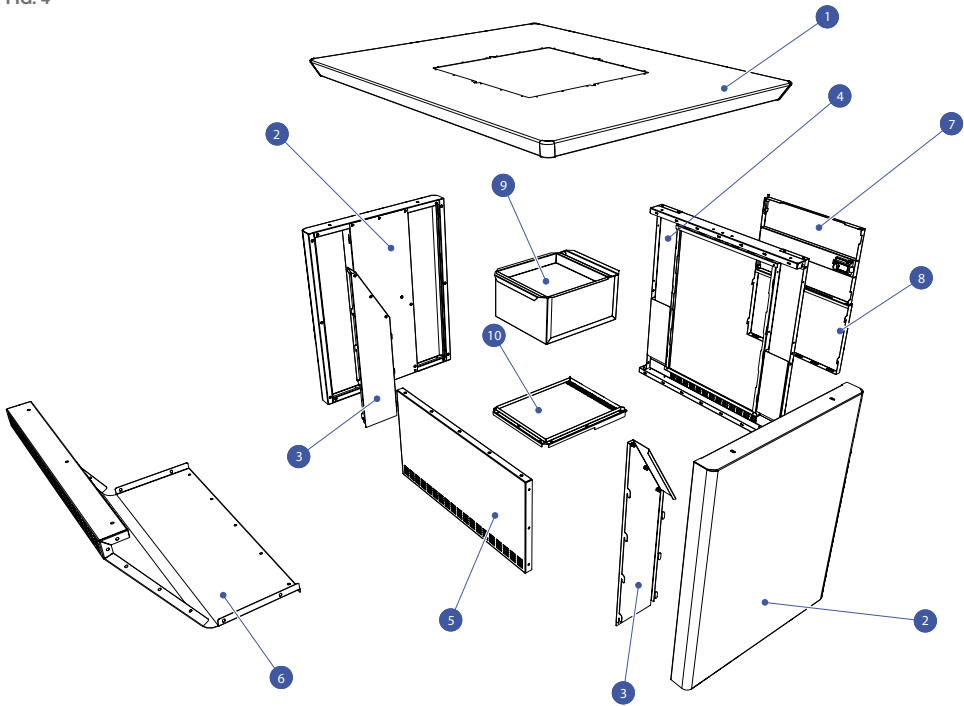
- The 1m electric cable with plug terminates into the left-hand side when facing the front of the cooktop
- Position the 15A electrical socket (GPO) at least 600 mm above ground

FIG. 3



3.3 Standard Cabinet - boxed contents and parts identification

FIG. 4



Christie standard size ICON Cabinets are supplied with the following boxed contents:

1. (1) x Stainless steel benchtop
2. (2) x Side panels
3. (2) x In-fill panels
4. (1) x Rear panel
5. (1) x Foot panel
6. (1) x Knee panel
7. (1) x Door assembly
8. (1) x Lower door panel
9. (1) x Waste collection tray
10. (1) x Waste tray mount
11. (33) x 6 mm Bolts (not shown)
12. (10) x 6 mm Nuts (not shown)
13. (2) x Access door keys (not shown) supplied attached to the door
14. Installation and User Manual (not shown)

3.4 Assembly and installation



Wear suitable personal protective equipment (PPE) at all times.
Please read all relevant installation instructions before assembling the cabinet.

STEP 1

Open the carton and review the boxed contents section relevant to your product model. Check that all listed parts are present. Contact Christie immediately if you notice any discrepancies.

Note: Leave the benchtop inside the carton until step 8

3.4 Assembly and installation

STEP 2

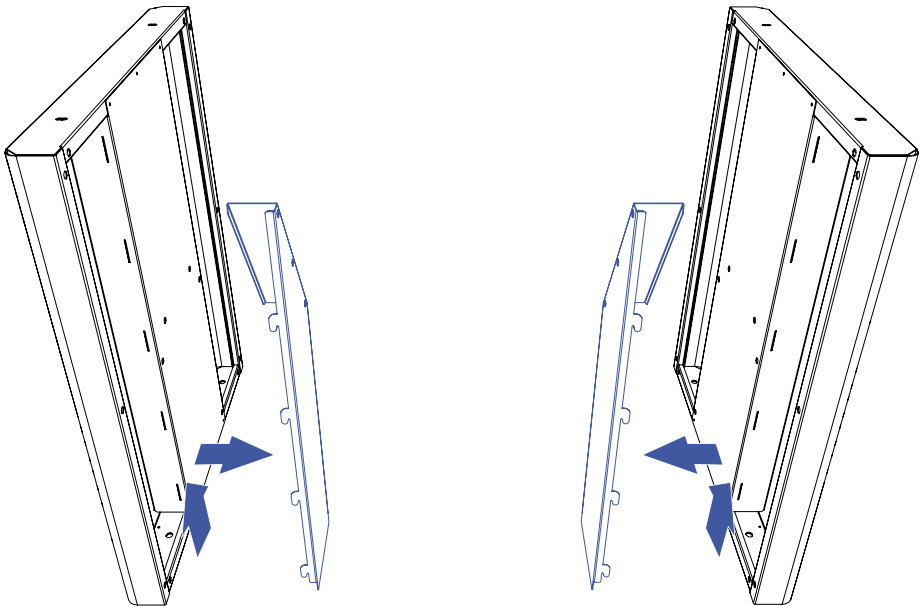


Assemble the cabinet in the final location. Ensure panels are placed in their correct positions before fixing.

1. Locate and unpack the two side panels, foot panel, and rear panel.
2. Remove the in-fill panels from each side panel and set these aside.
3. Assemble the foot panel and side panels. Secure using (4) x M6 bolts. Ensure that the foot panel ventilation slots are on the bottom.
4. Install the rear panel between the two side panels. Secure using (10) x M6 bolts.

Note: Brushed stainless steel cabinets will have a protective film on the outer surface. Peel back the film from internal and adjoining surfaces before assembly.

FIG. 5



3.4 Assembly and installation

FIG. 6

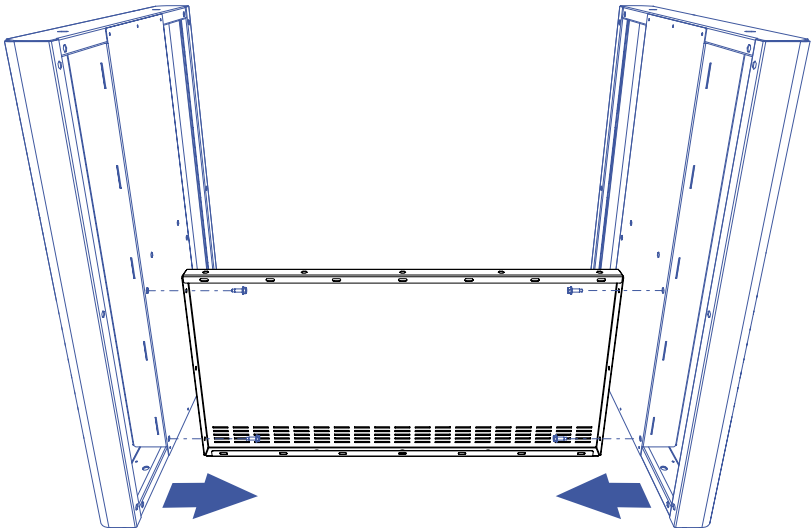
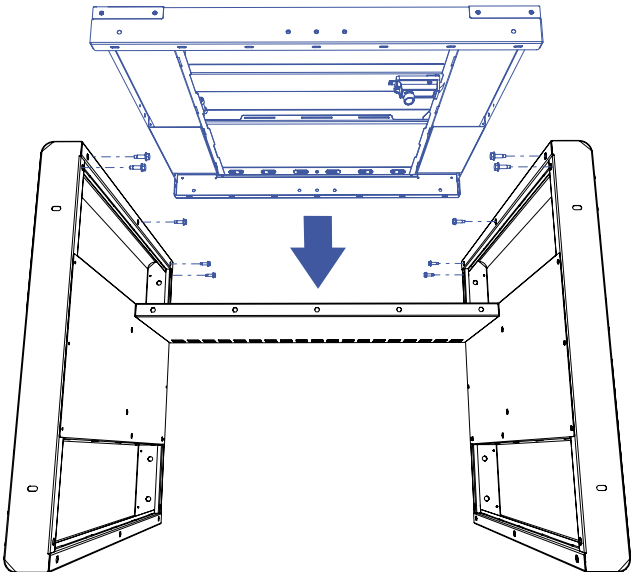


FIG. 7



3.4 Assembly and installation

STEP 3

1. Locate the door keys (provided in a bag with these installation instructions) and open the door.
2. Remove the door by releasing the spring-loaded latch pins. Set aside for reinstallation.
3. Remove the lower door panel by sliding the panel upward and then away from the rear panel. Set aside for reinstallation.

Important: Retain the nylon door washer for reinstallation.

FIG. 8

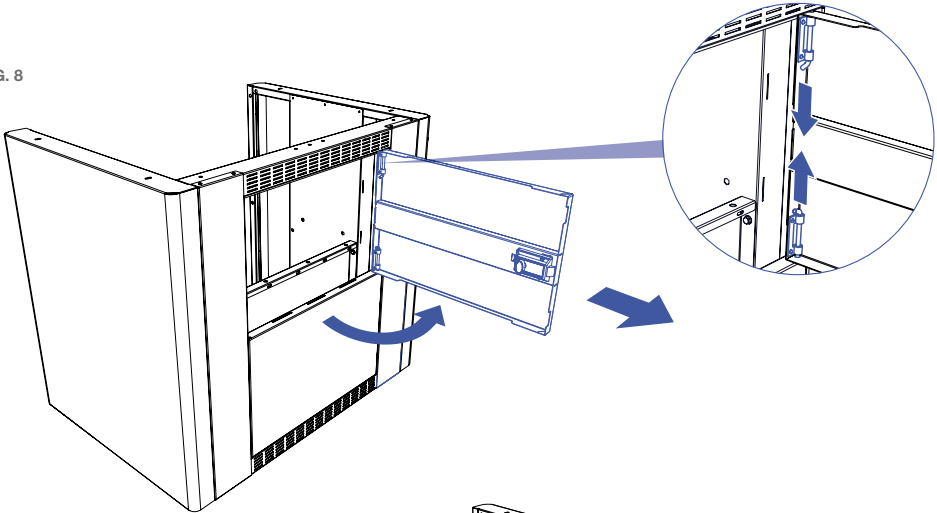
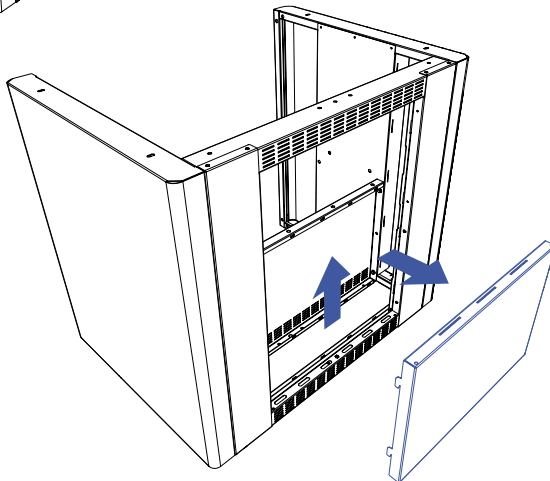


FIG. 9



3.4 Assembly and installation

STEP 4

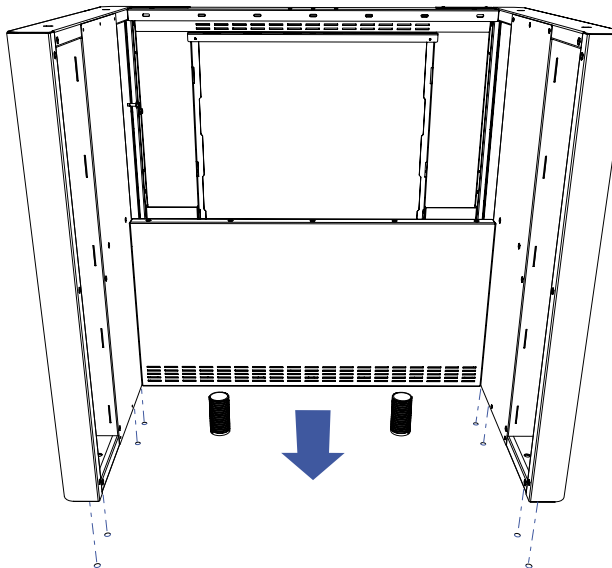


The Cabinet must be square before marking and drilling fixing holes. The internal distance between end panels must be 800 mm (refer FIG 02 in Section 3.2).

1. Place the cabinet in the final fixed position.
2. Tighten all fixings on the rear, side, and foot panels.
3. Mark out the fixing holes.
4. Move the cabinet to one side and drill the fixing holes with an 8 mm drill bit.
5. Move the cabinet back into the final fixing position and align the pre-drilled fixing holes with the frame. Bolt down with suitable masonry anchors.

Important: It is critical to the operation of the appliance that the cabinet is stable and level. Use packers to resolve minor levelling discrepancies or a bed of mortar for larger gaps.

FIG. 10

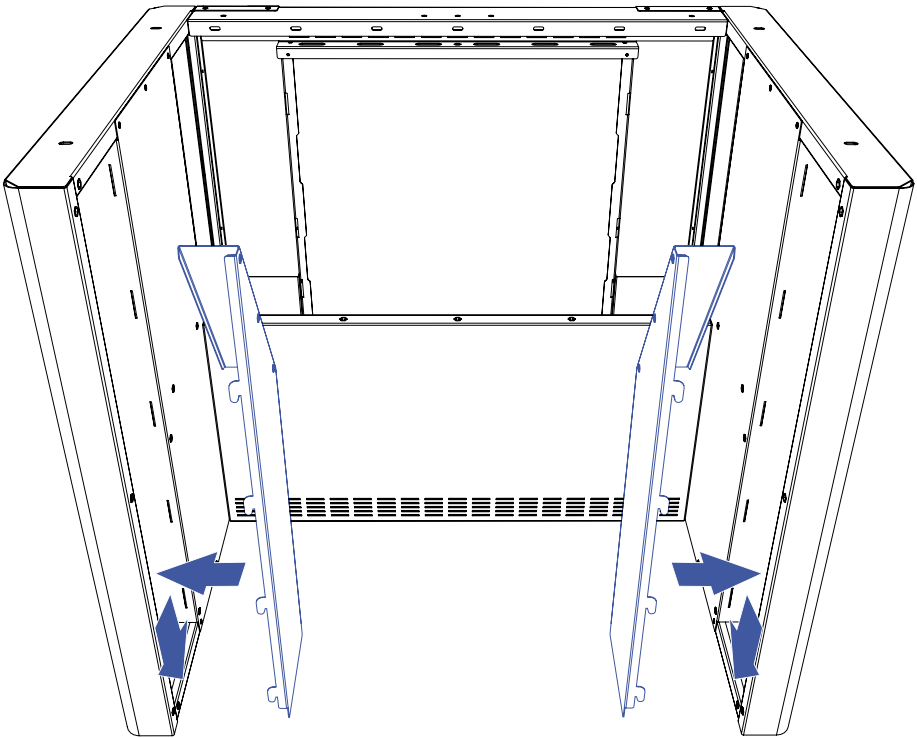


3.4 Assembly and installation

STEP 5

Reinstall the in-fill panels into the corresponding side panels.

FIG. 11



3.4 Assembly and installation

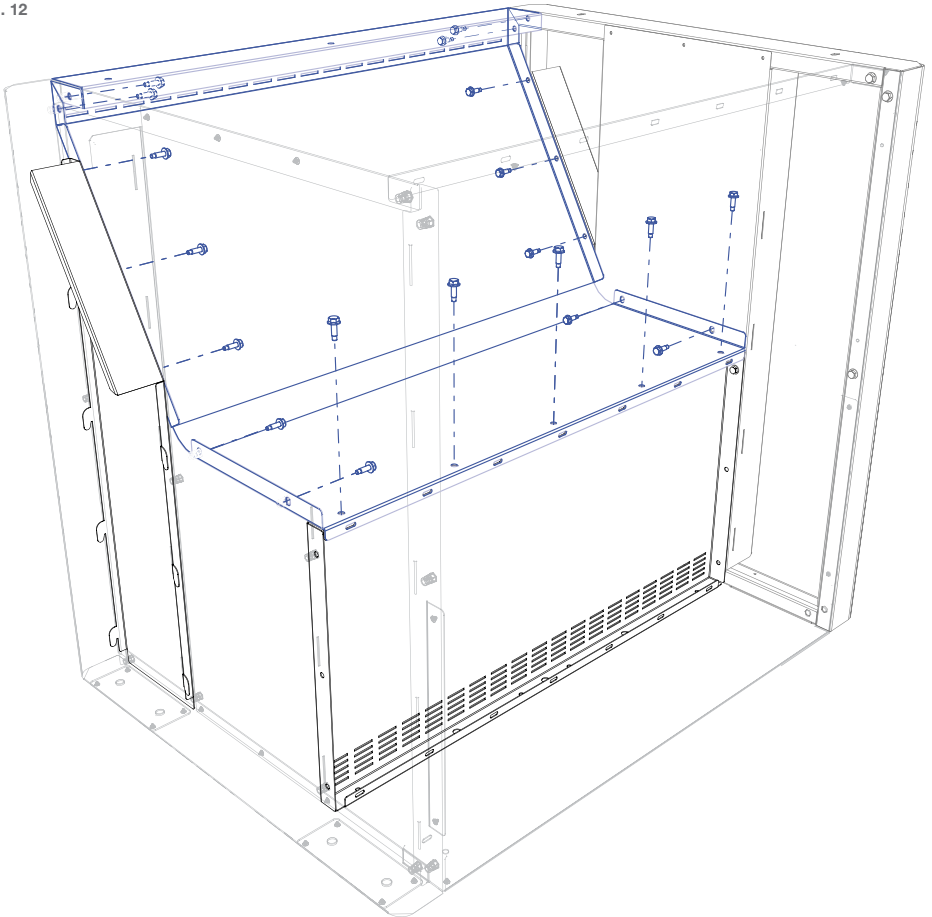
STEP 6

Install the knee panel. Secure using (19) x M6 bolts.

Important: Do not scratch external surfaces when lowering the knee panel.

Note: Brushed stainless steel finish panels will have a protective film. Remove the entire film before installation.

FIG. 12



3.4 Assembly and installation

STEP 7



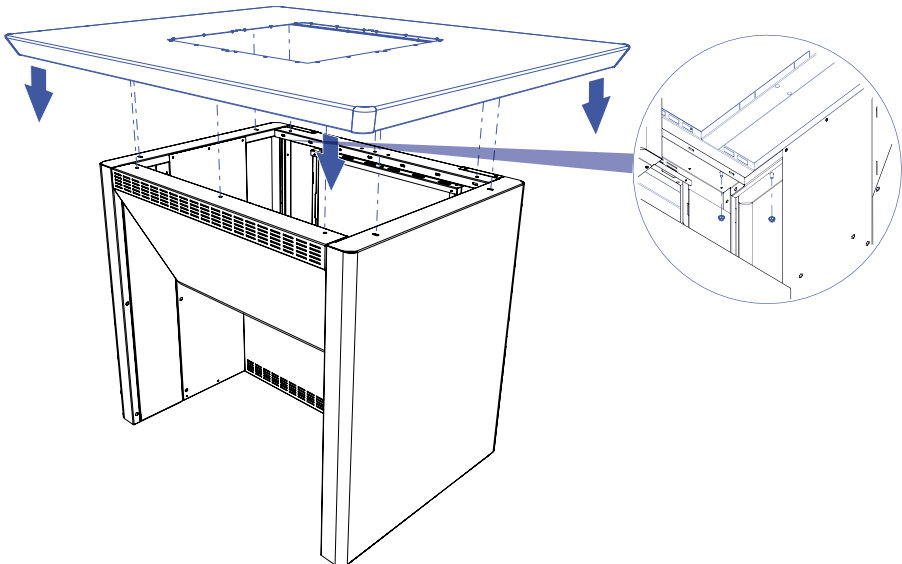
WARNING: Services must only be connected by a suitably qualified person, i.e. electrician or gas fitter.

If your installation has 240v Power outlets (GPO's), install these now. Fix services to internal mounting plates or a secure location. Do not fix to external surfaces (refer FIG 03 in Section 3.2). Complete the gas provisioning (if required).

STEP 8

1. Remove the benchtop from the carton and gently lower it onto the cabinet, ensuring that the pins are inserted into the corresponding fixing holes.
2. Secure the benchtop using the (10) x 6 mm nuts.

FIG. 13



3.4 Assembly and installation

STEP 9



Make sure you have the keys and lock the door latch in the “open” position. The nylon door washer must be installed onto the lower spring-loaded latch pin.

1. Reinstall the lower door panel into the rear panel by inserting the locking tabs into the corresponding holes. Slide down to secure.
2. Reinstall the door by inserting the spring-loaded latch pins into the fixing holes in the frame, while ensuring that the nylon washer is attached to the bottom latch pin.

FIG. 14

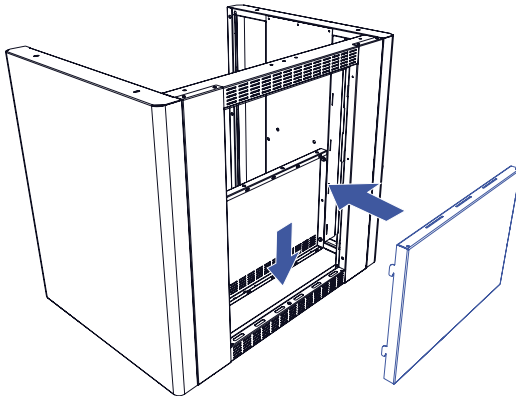
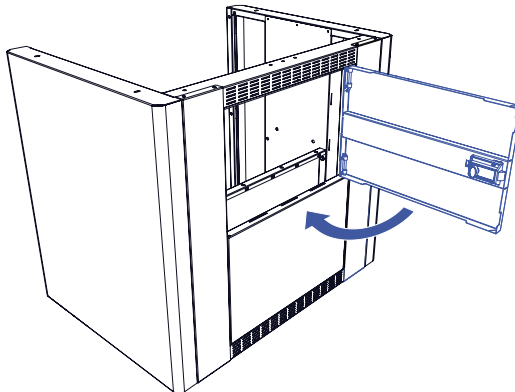


FIG. 15



3.4 Assembly and installation

STEP 10

1. Install the waste container mount, using the locating slots in the lower door panel.
2. Slide the waste container into the mount. If you are using a grease trap, ensure that the overflow faces the cabinet door.
3. Close the door, ensuring that the keys are in your possession.

Important: Ensure that the waste container or grease trap is installed and prepared in accordance with the instructions in Section 7.4 of this manual.

FIG. 16

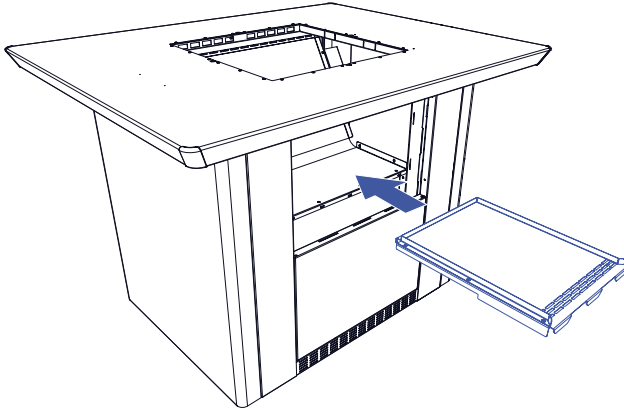
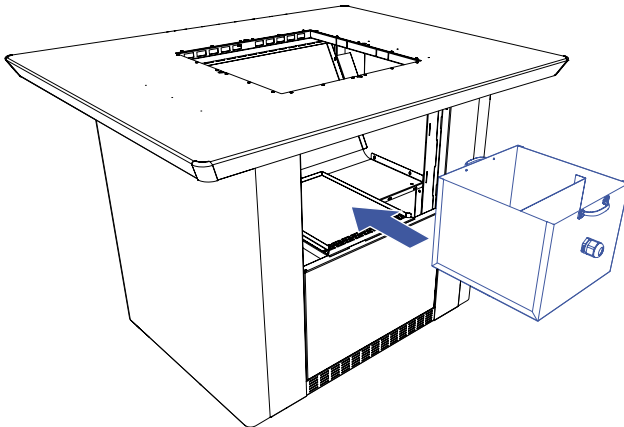


FIG. 17



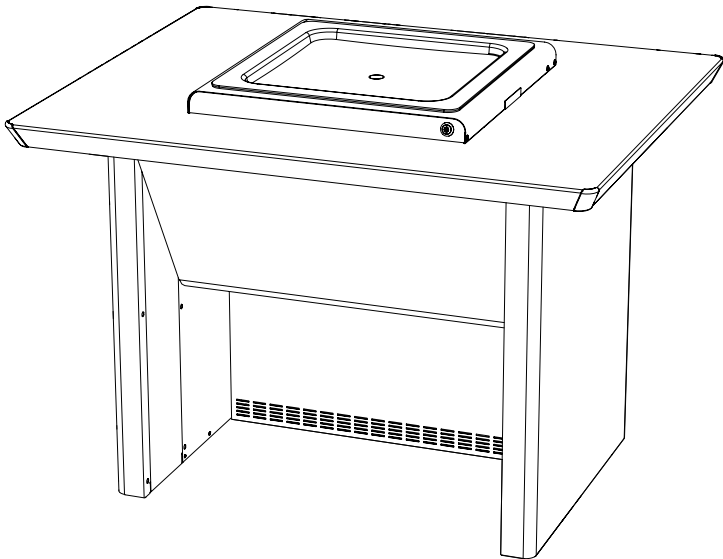
3.4 Assembly and installation

STEP 11

Remove the remaining protective film from all stainless steel surfaces.

Installation of your Standard ICON Cabinet is now complete. Please consult the relevant installation instructions for any additional items, such as the barbecue cooktop

FIG. 18

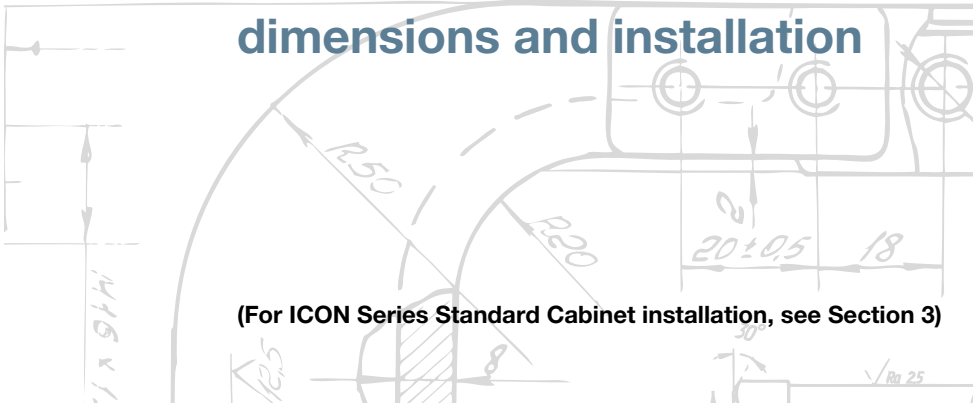


4.

ICON SERIES LARGE CABINET

dimensions and installation

(For ICON Series Standard Cabinet installation, see Section 3)



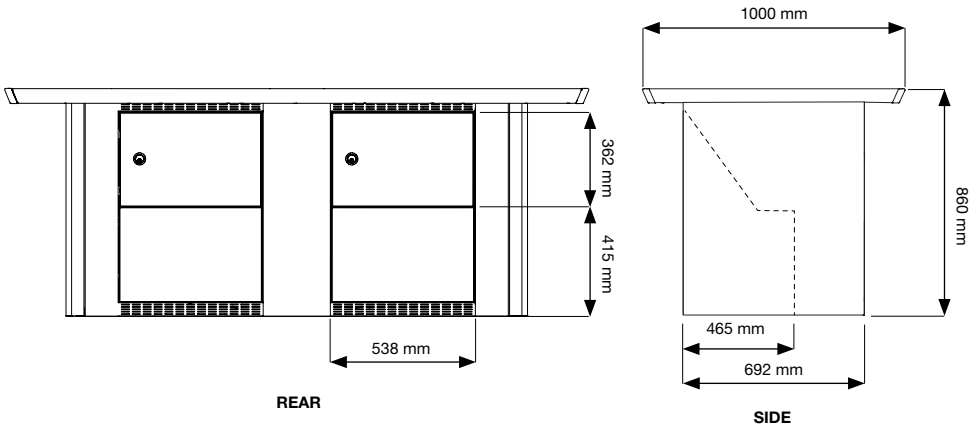
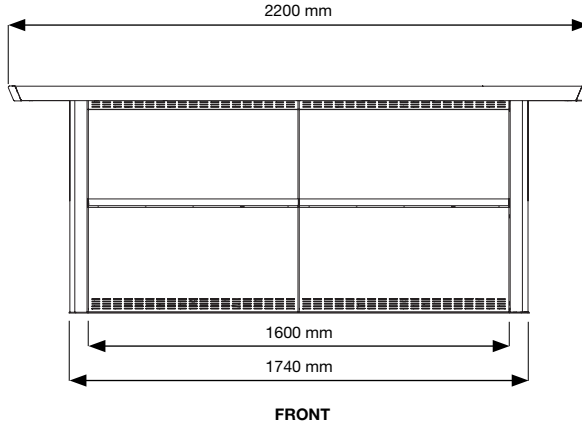
4.1 Large Cabinet - dimensions

Dimensions: 2200 mm width x 1000 mm depth x 860 mm height

Weight: 100 kg (without cooktop)

Cooktop cut-out: 495 mm x 495 mm

FIG. 19



4.2 Large Cabinet - services and footings

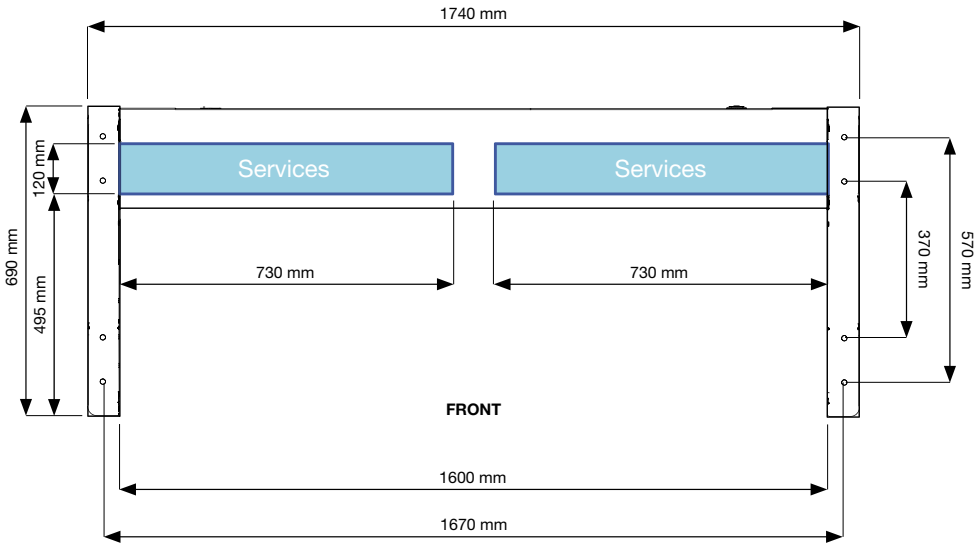


WARNING: All work on underground services must be carried out only by suitably qualified trades people i.e. electricians or gas fitters.

Footings and underground services:

- Bring up underground services (electrical conduits, gas and water pipes and waste outlets) in the highlighted areas only
- You may install up to two cooktops in a Large cabinet
- Gas or electric services must be located relative to the preferred location and orientation of the cooktop(s)

FIG. 20



4.2 Large Cabinet - services and footings

Terminating the services:

Terminate services for standard cabinet configurations in the locations indicated below. These locations will differ, depending on whether gas or electric cooktops are installed.

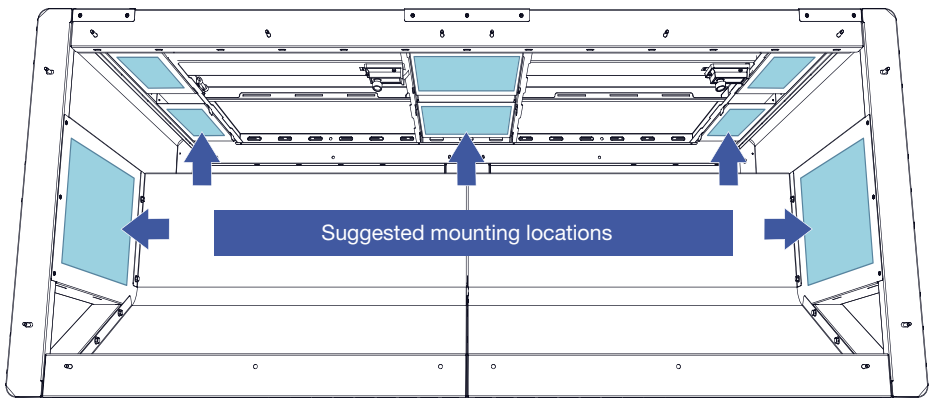
For Christie CC2 Gas Barbecue Cooktop:

- Gas inlet is on the right-hand side when facing the front of the appliance
- Power supply cable is on the right-hand side when facing the appliance
- The 10A electrical socket (GPO) should be positioned at least 600 mm above ground (if required)
- The battery box should be positioned on either side of the waste tray (if required)

Christie Electric CC2 Barbecue Cooktop:

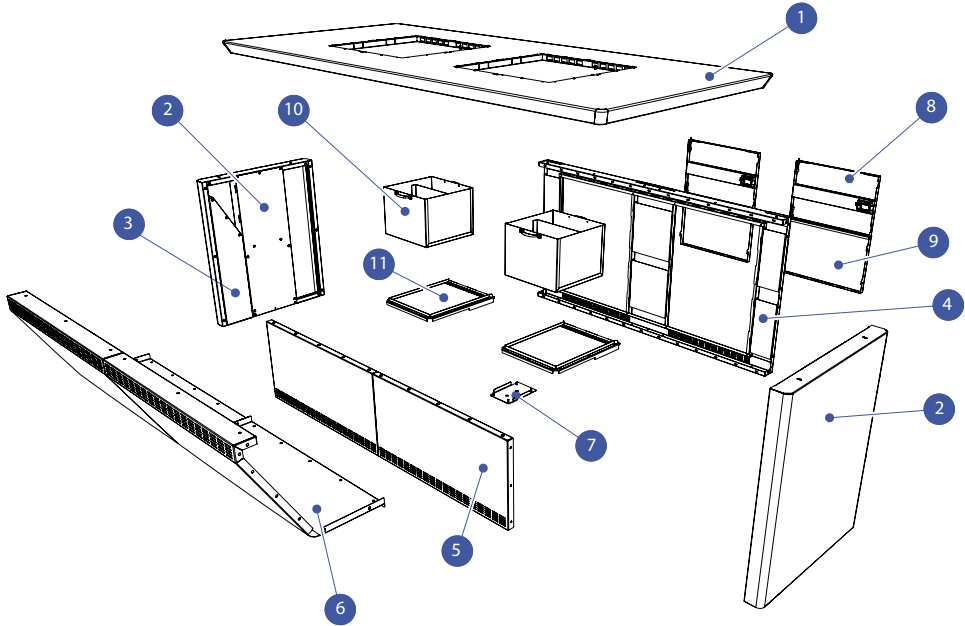
- Electric cable with plug is 1m long and terminates into the left-hand side when facing the front of the appliance
- Position the 15A electrical socket (GPO) at least 600 mm above ground

FIG. 21



4.3 Large Cabinet - boxed contents and parts identification

FIG. 22



Christie standard size ICON Cabinets are supplied with the following boxed contents:

1. (1) x Stainless steel benchtop
2. (2) x Side panels
3. (2) x In-Fil panels
4. (1) x Rear panel
5. (2) x Foot panels
6. (2) x Knee panels
7. (1) x Centre strut
8. (2) x Door assemblies
9. (2) x Lower door panels
10. (2) x Waste collection tray
11. (2) x Waste tray mount
12. (64) x 6 mm Bolts (not shown)
13. (14) x 6 mm Nuts (not shown)
14. (2) x Access door keys (not shown) supplied attached to the door

4.4 Assembly and installation



Wear suitable personal protective equipment (PPE) at all times.
Please read all relevant installation instructions before assembling the cabinet.

STEP 1

Open the carton and review the boxed contents section relevant to your product model. Check that all listed parts are present. Contact Christie immediately if you notice any discrepancies.

Note: Leave the benchtop inside the carton until step 8

STEP 2

Assemble the cabinet in the desired final location. Ensure the panels are placed in the correct positions before fixing.

1. Locate and unpack the two side panels, foot panels, rear panel, and centre strut.
2. Remove the in-fill panels from each side panel and set these aside.
3. Connect the foot panels together. Secure using (3) x M6 bolts and nuts.
4. Assemble the foot panels, centre strut and side panels. Secure using (4) x M6 bolts and (2) x M6 nuts.
5. Install the rear panel between the two side panels and over the centre strut. Secure using (10) x M6 bolts and (2) x M6 nuts.

Note: Brushed stainless steel cabinets will have a protective film on the outer surface. Peel back the film from internal and adjoining surfaces before assembly.

FIG. 23

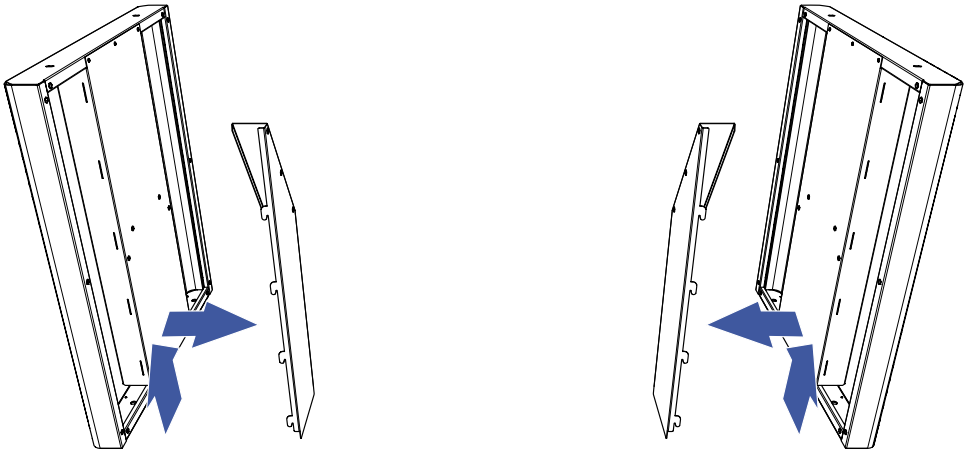


FIG. 24

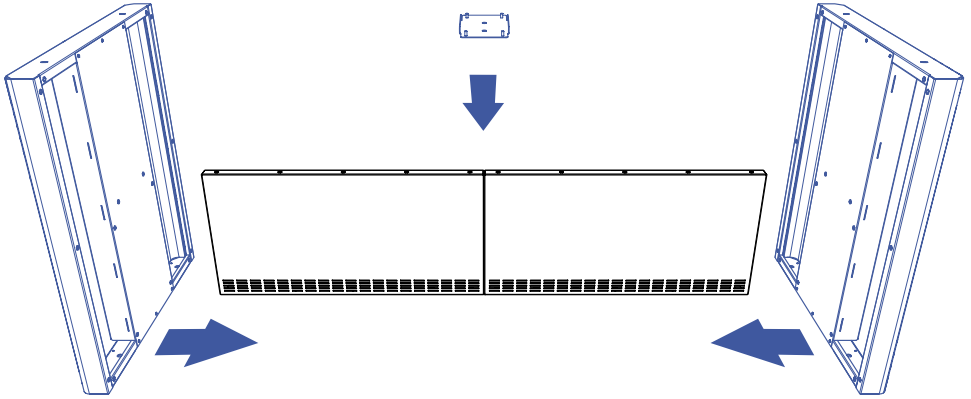
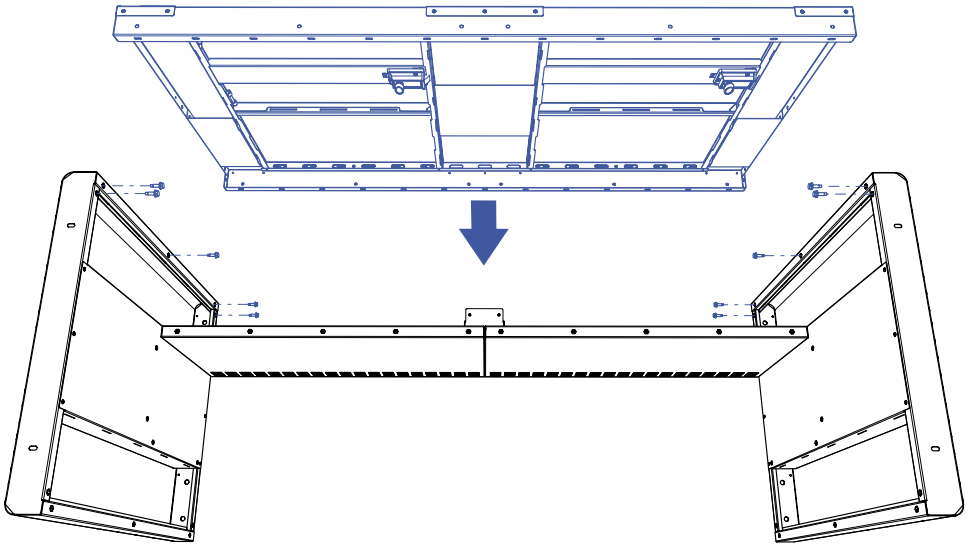


FIG. 25



4.4 Assembly and installation

STEP 3

1. Locate the door keys (provided in a bag with these installation instructions) and open the door.
2. Remove the door by releasing the spring-loaded latch pins. Set aside for reinstallation.
3. Remove the lower door panel by sliding the panel upward and then away from the rear panel. Set aside for reinstallation.

Important: Retain the nylon door washer for reinstallation.

FIG. 26

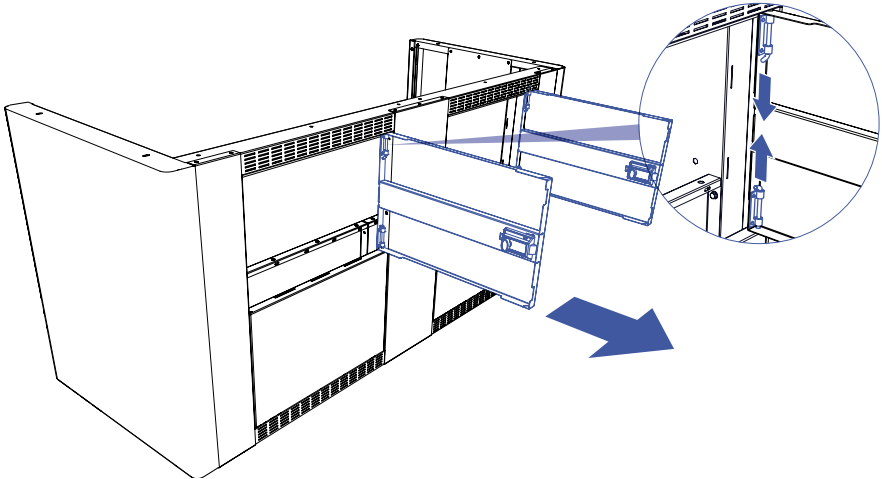
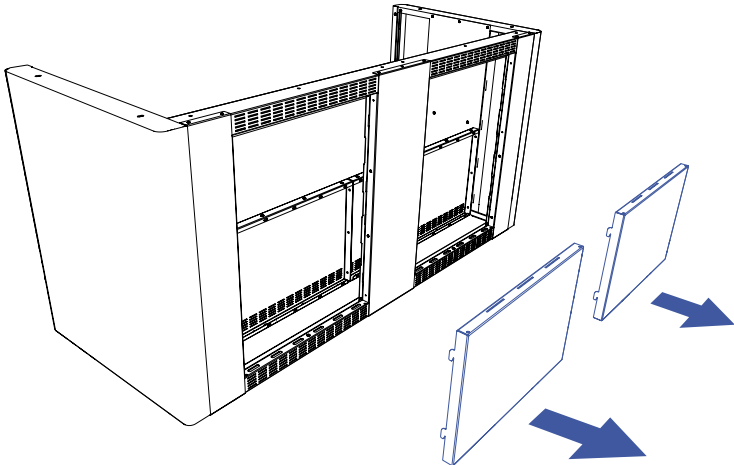


FIG. 27



4.4 Assembly and installation

STEP 4

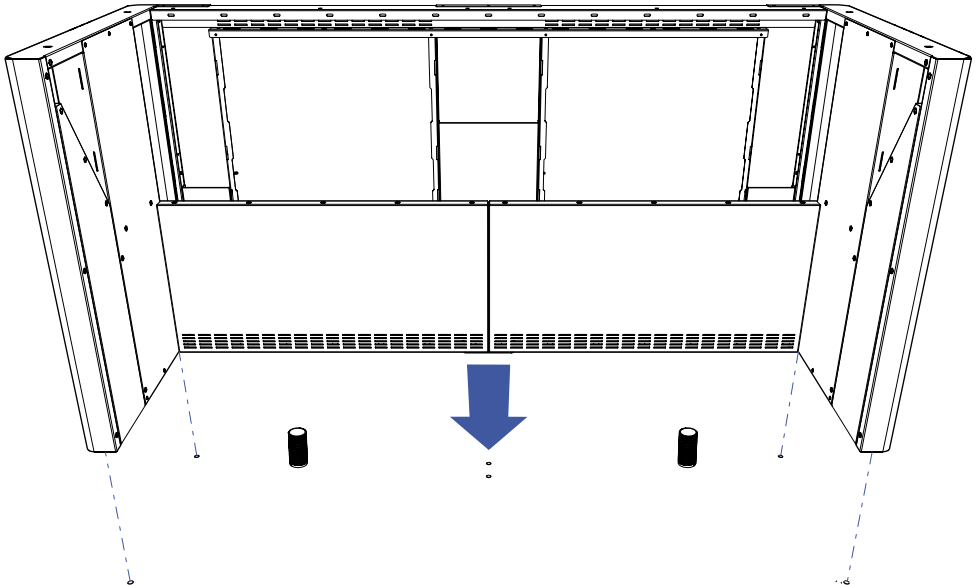


The Cabinet must be square before marking and drilling fixing holes. The internal distance between end panels must be 1600 mm (refer FIG 20 in Section 4.2).

1. Place the cabinet in the desired fixing position.
2. Tighten all fixings on the rear, side, and foot panels.
3. Mark out the fixing holes.
4. Move the cabinet to one side and drill the fixing holes with an 8 mm drill bit.
5. Move the cabinet into the final fixing position and align the pre-drilled fixing holes with the frame. Bolt down with suitable masonry anchors.

Important: It is critical to the operation of the appliance that the cabinet is stable and level. Use packers to resolve minor levelling discrepancies or a bed of mortar for larger gaps.

FIG. 28

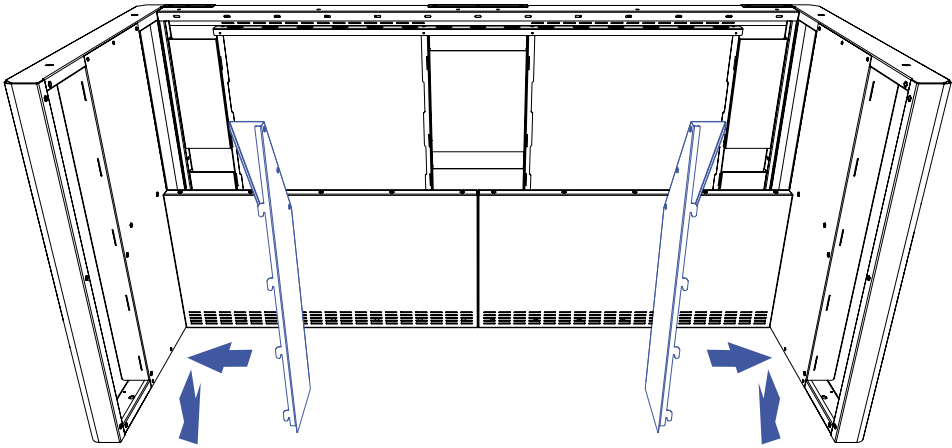


4.4 Assembly and installation

STEP 5

Reinstall the in-fill panels into the corresponding side panels.

FIG. 29



4.4 Assembly and installation

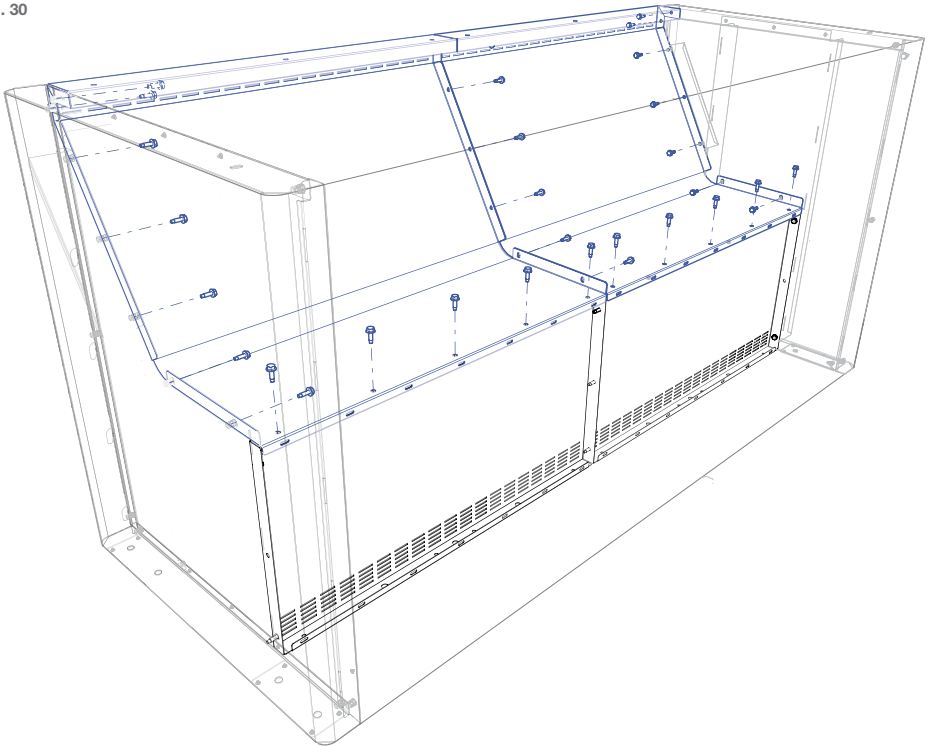
STEP 6

Install the knee panel. Secure using (31) x M6 bolts and (7) x M6 nuts.

Important: Do not scratch external surfaces when lowering the knee panel.

Note: Brushed stainless steel finish panels will have a protective film. Remove the entire film before installation.

FIG. 30



4.4 Assembly and installation

STEP 7



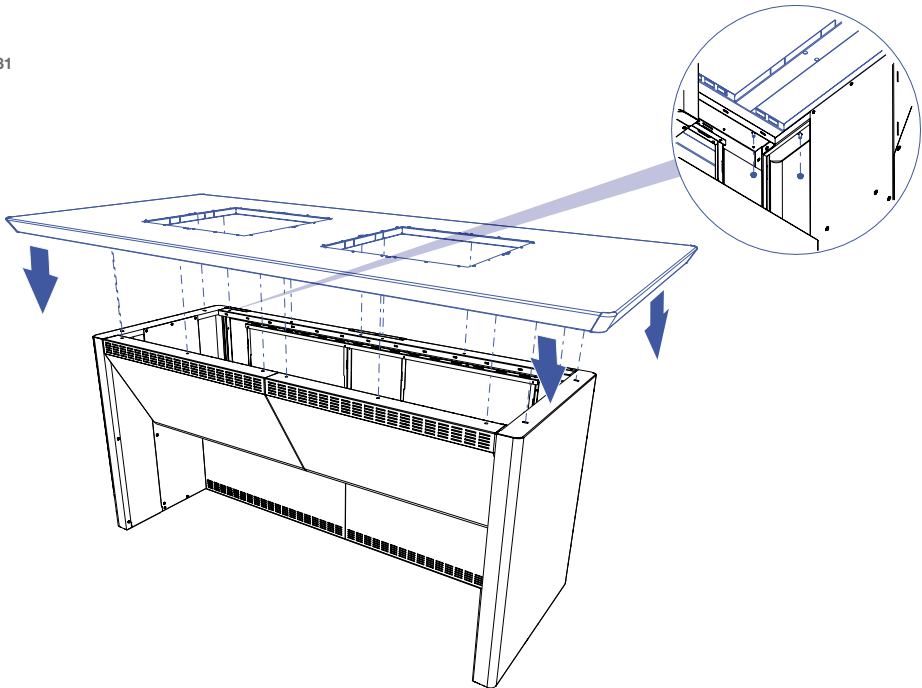
WARNING: Services must only be connected by a suitably qualified person, i.e. electrician or gas fitter.

If your installation has 240v Power outlets (GPO's), install these now. Fix services to internal mounting plates or a secure location. Do not fix to external surfaces (refer FIG 21 in Section 4.2). Complete the gas provisioning (if required).

STEP 8

1. Remove the benchtop from the carton and gently lower it onto the cabinet, ensuring that the pins are inserted into the corresponding fixing holes.
2. Secure the benchtop using the (16) x 6 mm nuts.

FIG. 31



4.4 Assembly and installation

STEP 9



Make sure you have the keys and lock the door latch in the “open” position. The nylon door washer must be installed onto the lower spring-loaded latch pin.

1. Reinstall the lower door panel into the rear panel by inserting the locking tabs into the corresponding holes. Slide down to secure.
2. Reinstall the door by inserting the spring-loaded latch pins into the fixing holes in the frame, while ensuring that the nylon washer is attached to the bottom latch pin.

FIG. 32

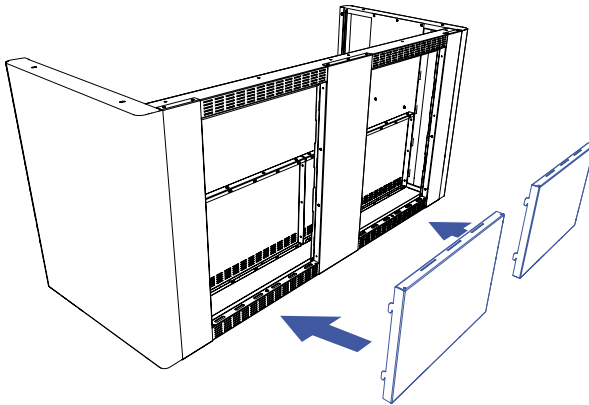
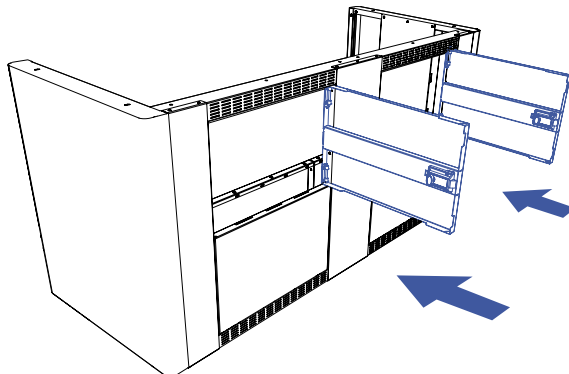


FIG. 33



4.4 Assembly and installation

STEP 10

1. Install the waste container mount using the locating slots in the lower door panel.
2. Slide the waste container into the mount. If you are using a grease trap, ensure that the overflow faces the cabinet door.
3. Close the door, ensuring that the keys are in your possession.

Important: Ensure that the waste container(s) or grease trap(s) are installed and prepared in accordance with the instructions in Section 7.4 of this manual.

FIG. 34

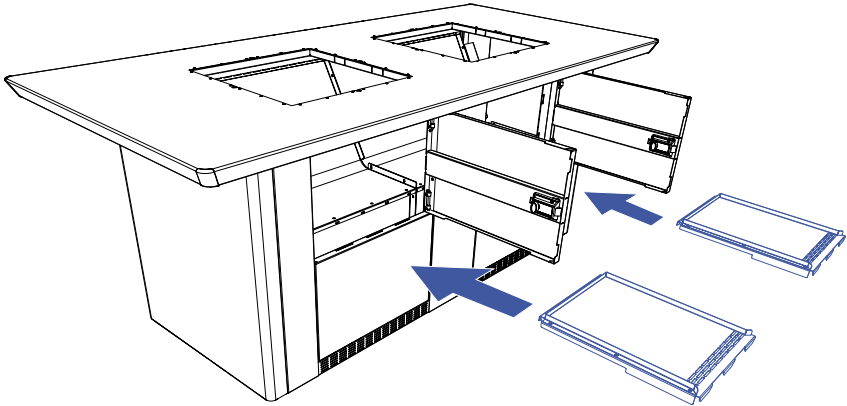
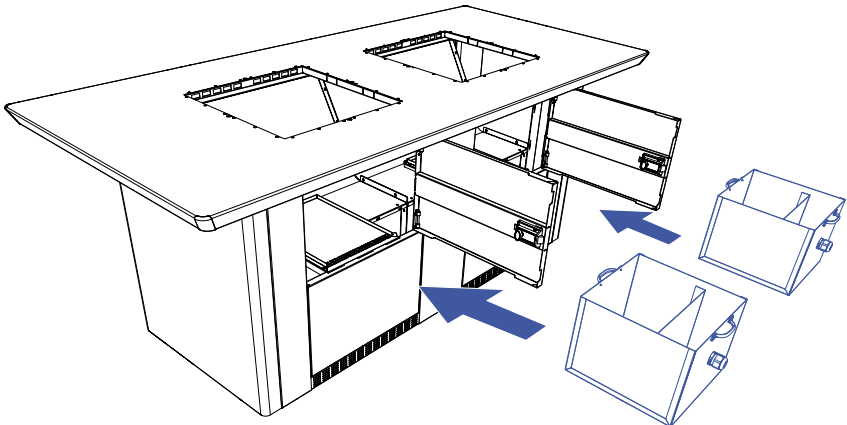


FIG. 35



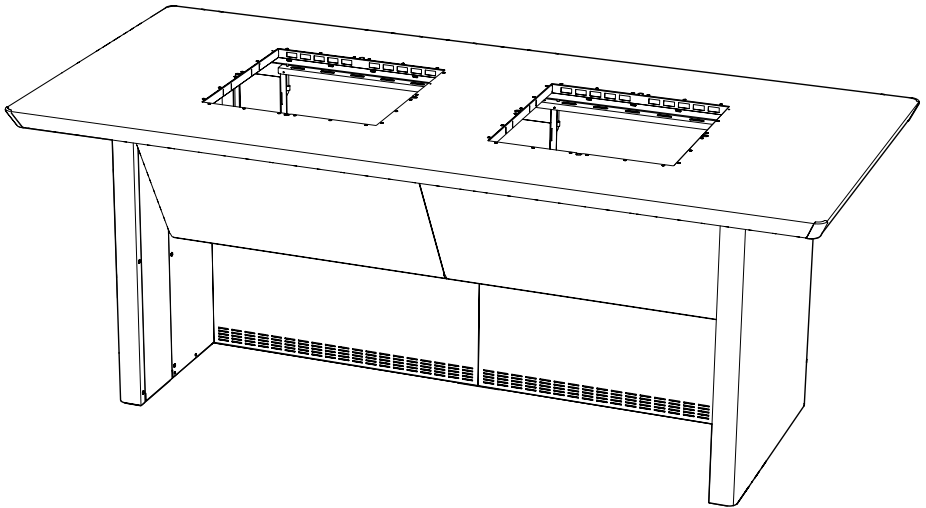
4.4 Assembly and installation

STEP 11

Remove the remaining protective film from all stainless steel surfaces.

Installation of your Standard ICON Cabinet is now complete. Please consult the relevant installation instructions for any additional items, such as the barbecue cooktop(s).

FIG. 36



5.

OPTIONS AND ACCESSORIES



BARBECUE COOKTOPS

1. CC2 Electric Barbecue Cooktop
2. CC2 Gas Barbecue Cooktop: Natural gas, Liquid petroleum gas, or Universal LPG
3. CC2-i Electric Smart Barbecue Cooktop
4. CC2-i Gas Smart Barbecue Cooktop

OPTIONS

1. Sink
2. Hood

COLOUR AND FINISH OPTIONS

Check our website at <https://dachristie.com/barbecues/cabinets> for current off-the-shelf finishes, standard powder coating colour options (lead times apply), and custom colours available at extra cost.



WARNING: Do not use corrosive cleaning products on this appliance. Use only non-toxic products with a neutral pH between 6 and 9.

Corrosive (acidic or alkaline) cleaners may leave a toxic residue on surfaces, damage electronic circuitry, components, labels, and void the Product Warranty. They may also drastically reduce the life expectancy of the product.

6.1 Safety considerations

- Wear gloves and safety glasses to protect against heat and skin irritation
- Beware of hot cooking surfaces and steam
- Follow all relevant Material Safety Data Sheet (MSDS) and Safe Work Guidelines

6.2 Environmental considerations

Your local or national Environmental Protection authority should be contacted for advice on how to safely dispose of fats and oils.

6.3 Cleaning and general maintenance

To preserve the appearance and integrity of your Christie barbecue cabinet, we recommend that the entire structure is cleaned weekly and inspected and serviced every 12 months.

1. Spray the benchtop and sides of the cabinet with a mild detergent or pH-neutral, bio-degradable degreaser
2. Rinse with water, or wipe with a clean cloth or paper towel
3. Sweep and wash down pathways around the barbecue. If contaminated with fat or oil, spray with a mild detergent or pH-neutral bio-degradable degreaser and rinse with water

Note: Stainless steel is a low maintenance material that requires regular cleaning, especially in corrosive environments (up to one kilometre from marine waters and up to five kilometres from a surf beach).

Lack of maintenance may result in surface discoloration or “tea staining”. Caused by superficial corrosion, tea staining does not occur if surfaces are washed regularly. In the event that it does, remove promptly - preferably within 30 days – using a “Scotch Brite” or similar non-steel scourer. Staining should occur less frequently after each removal.

The most effective way to prevent tea staining is to ensure that any asset maintenance schedule includes washing and rinsing, to remove salt and dirt.

6.4 Cleaning waste containers

Waste containers must be emptied on a regular basis. Do not allow the waste container to overflow into the interior of the barbecue cabinet. All fat, grease and oil should be disposed of in accordance with local regulations. Do not dispose of it on the ground, as this will create a health hazard.

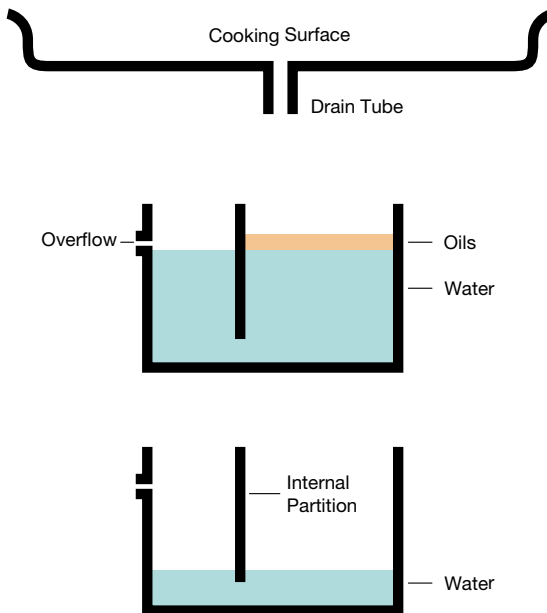
Grease trap

A grease trap is recommended for use in locations where the barbecue is exposed to rain, sprinklers, or other sources of significant water ingress.

The grease trap separates oils and fats from water. Oils float and the internal partition allows water to pass underneath and both chambers of the container to fill, but keeping oils in the large chamber. When the water level reaches the overflow, excess water will drain away and the oils will remain behind.

A container without an internal partition and overflow will progressively fill completely. Oils will overflow, causing cleaning and hygiene problems inside the barbecue cabinet.

FIG. 37



6.4 Cleaning waste containers

1. Before use, fill the grease trap with water to approximately 50 mm above the bottom of the internal partition to ensure that fat, grease and oil will be separated from water
2. Place grease trap inside barbecue cabinet, underneath the grill plate. Align so that the main chamber of the grease trap is directly under the drain tube
3. When emptying, skim the layer of oils and fats off the water. Place the fat in a suitable receptacle and dispose of it in accordance with local regulations. Dispose of the remaining contaminated water into a sewerage or other approved disposal system
4. Clean and wash the grease trap with a mild detergent or pH-neutral, biodegradable degreaser, before replacing it inside barbecue surround. A high-pressure cleaner or steam cleaner may also be used. Extra grease traps can be ordered from Christie, to exchange and clean grease traps thoroughly off site

Grease trap: Fill with until the water is above the bottom of the partition

Waste container: Insert the plastic bag into the container and add approximately 1 cup of water

Waste container

Our optional waste container is suitable for locations where grill plates are not subject to water ingress. Water ingress can be prevented by providing shelter over the barbecues or fitting a Christie barbecue hood to the cooktop.

We sell each waste container with a starter pack of 25 bags. Replacement bags are available for purchase in packs of 100.

1. Inserted the specially designed, heavy duty plastic bag into the container. Fold the bag down over the outside of the container
2. Pour approximately 20mm of water into bag before first use
3. When emptying, lift the bag out of the container. Skim the oils off the water. Place the oils in a suitable receptacle and dispose of it in accordance with local regulations. Dispose of the remaining contaminated water into a sewerage or other approved disposal system



All our products carry guarantees that cannot be excluded under Australian Consumer Law. You are entitled to a replacement or refund for a major failure and for compensation for any other reasonably foreseeable loss or damage. You are also entitled to have the goods repaired or replaced if the goods are of an unacceptable quality that does not amount to a major failure.

The benefits under this warranty are in addition to other rights and remedies imposed by Australian State and Federal legislation that cannot be excluded. Nothing in this warranty is intended to have the effect of excluding, restricting or modifying any condition, warranty, guarantee, right, or remedy provided by law (including the Competition and Consumer Act 2010) and which by law cannot be excluded, restricted, or modified.

D.A. CHRISTIE PTY. LTD. (“the Company”) warrants that the products manufactured by it are of merchantable quality. The warranty is not transferable and applies only to the original purchaser. It does not cover faults which arise from negligent use or accident or misuse or damage or normal wear and tear or the use of the product for any purpose not intended by the Company, or improperly installed, stored or maintained

To the extent permitted by law, the Company’s obligations to the purchaser in respect of a warranty claim, will at the Company’s option, be limited to:

- (a) the repair or replacement of the product;
- (b) paying for the cost of repair or replacement of the product; or
- (c) the supply of an equivalent product of a similar quality, grade and composition.

The duration of the warranty is for a period of 24 months from date of delivery.

The Company accepts no responsibility for repairs made other than by the Company or its accredited agent. The warranty applies only to goods of the Company’s manufacture. Items used in the manufacture of the Company’s products and items not of the Company’s manufacture are sold subject to the warranty given by the manufacturer of those goods.

Where goods are shipped with freight paid by the Company, all claims for goods damaged in transit must be made within 48 hours of the time of delivery. No claim for goods damaged in transit will be accepted after this time.

This warranty does not apply to any of the Company’s products which are modified in any way by a person other than persons authorised by the Company to do so including, but not restricted to, products tampered with, altered, modified, repaired, not cleaned, or not installed in accordance with the Company’s instructions.

This warranty is in addition to and not in substitution for any warranty given by Law.

WARRANTY CLAIM PROCEDURE

1. Warranty service may be obtained by contacting the Company
2. Any claim for warranty must be accompanied by appropriate documentation that provides proof of purchase, details of the alleged defect and serial number
3. The freight to the Company will be at the purchaser's expense but return freight will be at the Company's expense
4. If the Company finds no defect in the product, then the purchaser must pay the Company's usual charges for service work, testing or rehandling
5. Repairs **MUST NOT** be carried out without prior approval of the Company. No responsibility will be accepted for repairs made without authorisation

Date of purchase	
Installed by	
Installation date	
Address/Location	

