

# Instructions for wear checks of play equipment

The equipment must be checked for correct operation and safety, especially the points listed below:

Proof of maintenance

Playground .....

Date of installation .....

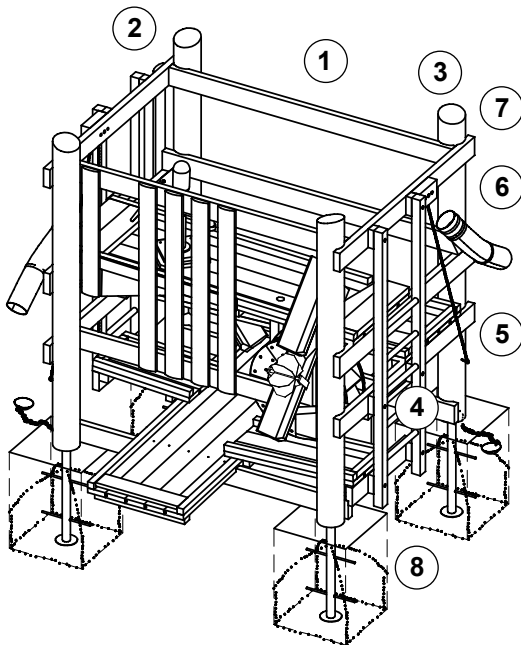
Checks depend on the type of equipment. equipment with moving parts must be checked at least twice a year, static equipment at least once a year.

Intervals for maintenance work and checks generally depend on

- location
- kind of use
- frequency of use
- possible vandalism

For more details see also "General instructions for maintenance of playgrounds".

**Water Building Site**  
Order No. L5.09501



## Wooden parts

1. Check for rot and, if necessary, smooth out splinters and round off sharp edges of cracks.
2. Check that all bolts and screws are tight and retighten if necessary.
3. Recommendation: apply paraffin wax to the upper end grain areas once a year, please refer to Order No. 0.90100, 1 litre.
4. Check the ash wood rungs of the ladders for wear and tear, the remaining diameter must be at least 30 mm.

## Operation

5. Check all functional parts and retighten screws and bolts, if necessary.

## Bearings and chains

6. Check for wear and tear.
7. Check that sand wheel moves smoothly.

## Structural stability

8. In order to check steel feet for corrosion, uncover the foundation once a year.

**Maintenance instruction for Pump see Order No. 5.17510.**

Repair not carried out, it is still possible to play on equipment

Repair not carried out, equipment is taken out of action

All work carried out, everything is in order

Maintenance carried out by:

..... Date .....

Special notes, e.g. for repairs