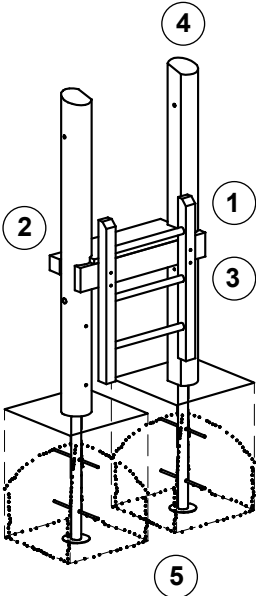


| <h2>Instructions for wear checks of play equipment</h2> | <p>The equipment must be checked for correct operation and safety, especially the points listed below:</p> | <p>Proof of maintenance</p> | |
|---|---|--|--|
| <p>Playground</p> <p>Date of installation</p> <p>Checks depend on the type of equipment. Any equipment with moving parts must be checked at least twice a year, static equipment at least once a year.</p> <p>Intervals for maintenance work and checks generally depend on</p> <ul style="list-style-type: none"> - location - kind of use - frequency of use - possible vandalism <p>For more details see also "General instructions for maintenance of playgrounds".</p> <p>End Frame for Chain Path Order No. L3.66220</p> <p>Order No. 3.66224 in square timber with steel feet</p>  | <div style="border: 1px solid black; padding: 5px; margin-bottom: 10px;">Wooden parts</div> <ol style="list-style-type: none"> 1. Check for rot and, if necessary, smooth splinters and round off sharp edges and cracks. <input type="checkbox"/> 2. Check that all bolts and screws are tight and retighten if necessary. <input type="checkbox"/> 3. Check the ash wood rungs of the ladders for wear and tear, the remaining diameter must be at least 30 mm. <input type="checkbox"/> 4. Recommendation: Apply paraffin wax to the upper end grain areas once a year, please refer to Order No. 0.90100, 1 litre. <input type="checkbox"/> <div style="border: 1px solid black; padding: 5px; margin-bottom: 10px;">Structural stability</div> <ol style="list-style-type: none"> 5. In order to check the steel feet for corrosion, uncover the foundation once a year. <input type="checkbox"/> | <p style="writing-mode: vertical-rl; transform: rotate(180deg);">Special notes, e.g. for repairs</p> | |
| <p>Repair not carried out, it is still possible to play on equipment</p> | <input type="checkbox"/> | | |
| <p>Repair not carried out, equipment is taken out of action</p> | <input type="checkbox"/> | | |
| <p>All work carried out, everything is in order</p> | <input type="checkbox"/> | | |
| <p>Maintenance carried out by:</p> <p>..... Date</p> | | | |