

Instructions for wear checks of play equipment

The equipment must be checked for correct operation and safety, especially the points listed below:

Proof of maintenance

Playground.....

Date of installation

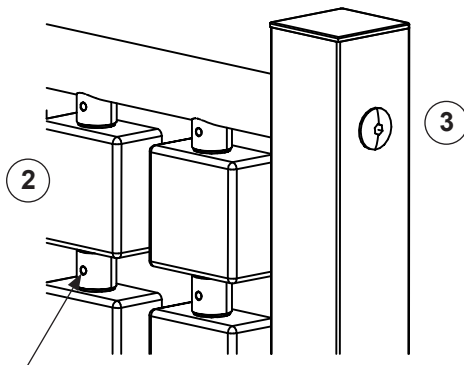
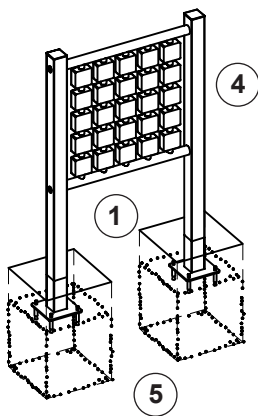
Checks depend on the type of equipment. Any equipment with moving parts must be checked at least twice a year, static equipment at least once a year.

Intervals for maintenance work and checks generally depend on

- the location
- the usage
- the frequency of use
- possible vandalism

For more details see also "General instructions for maintenance of playgrounds".

Pairs
Order No. 9.15200



locking bolt

Playground equipment

1. Check that wooden tiles are in sound condition and move smoothly.
2. If they don't move smoothly, adjust the vertical distance. To do this, loosen the locking bolts on the back of the sleeves and push upward a bit (start at the top).
3. Check that all bolts are tight and retighten if necessary.

Stainless steel

4. Clean with stainless steel spray (www.kim-tec.de) using a clean cloth.

Structural stability

5. In order to check the fixation to the ground, uncover the foundation once a year.

Special notes, e.g. for repairs

Repair not carried out, it is still possible to play on equipment

Repair not carried out, equipment is taken out of action

All work carried out, everything is in order

Maintenance carried out by:

..... Date