

Instructions for wear checks of play equipment

The equipment must be checked for correct operation and safety, especially the points listed below:

Proof of maintenance

Playground.....

Date of installation

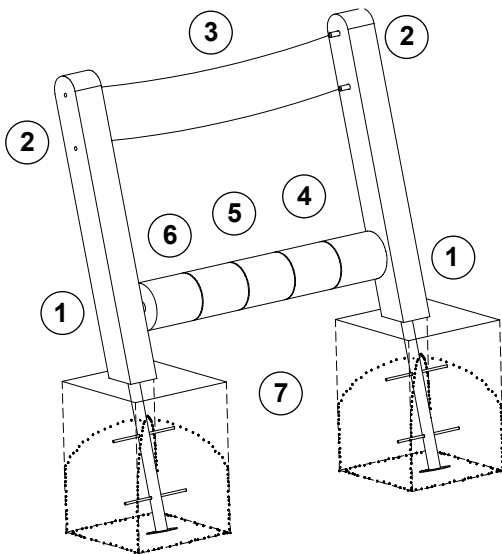
Checks depend on the type of equipment. Any equipment with moving parts must be checked at least twice a year, static equipment at least once a year.

Intervals for maintenance work and checks generally depend on

- location
- usage
- frequency of use
- possible vandalism

For more details see also "General instructions for maintenance of playgrounds".

Sound Roller
Order No. 9.02431



Wooden parts

1. Check for rot and, if necessary, smooth out splinters and round off sharp edges of cracks.
2. Check that all bolts and screws are tight and retighten if necessary

Ropes

3. Check for wear and tear. Replace if steel reinforcement is damaged

Sound roller

4. Check the axle for stability.
 5. Check that the individual rollers move smoothly and create sounds when being turned.
- Note**
Do not grease or lubricate! Otherwise, the rollers could stick together.

6. If no sounds are created, check if the brass sound elements are soiled on the inside and clean them if necessary. To do this, you can remove the axle with the rollers from the posts (remove the flanges).

Note
Since the axle is very heavy, underpin it and then slide each roll off the axle in order to clean it on the inside. The beater must move smoothly.

Structural stability

7. In order to check for stability and corrosion uncover the steel feet once a year.

Special notes, e.g. for repairs

Repair not carried out, it is still possible to play on equipment

Repair not carried out, equipment is taken out of action

All work carried out, everything is in order

Maintenance carried out by:

..... Date