

Instructions for wear checks of play equipment

The equipment must be checked for correct operation and safety, especially the points listed below:

Proof of maintenance

Playground.....

Date of installation

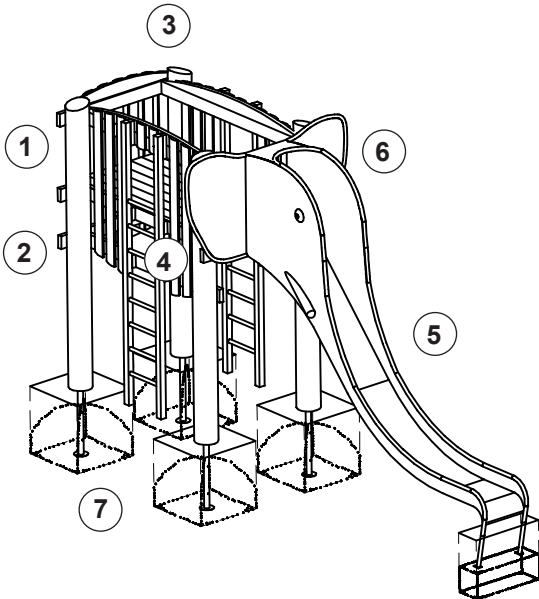
Checks depend on the type of equipment. Any equipment with moving parts must be checked at least twice a year, static equipment at least once a year.

Intervals for maintenance work and checks generally depend on

- the location
- the usage
- the frequency of use
- possible vandalism

For more details see also "General instructions for maintenance of playgrounds".

Elephant with Trunk Slide
Order No. 8.99210



Wooden parts

1. Check for rot and, if necessary, smooth out splinters and round off sharp edges of cracks.
2. Check all bolts and screws are tight and retighten if necessary, retighten if necessary
3. **Recommendation:** apply paraffin wax to the upper end grain areas once a year, please refer to order No. 0.90100, 1 litre.
4. Check the ash wood rungs of the ladders for wear and tear, the remaining diameter must be at least 30 mm.

Slide

5. Check the slide surface for vandalism.
6. Check that the bolts and screws on the platform are tight and retighten if necessary.

Structural stability

7. Uncover the foundation once a year in order to check for rot or corrosion.

Special notes, e.g. for repairs

Repair not carried out, it is still possible to play on equipment

Repair not carried out, equipment is taken out of action

All work carried out, everything is in order

Maintenance carried out by:

..... Date