

# Instructions for wear checks of play equipment

The equipment must be checked for correct operation and safety, especially the points listed below:

Proof of maintenance

Playground .....

Date of installation .....

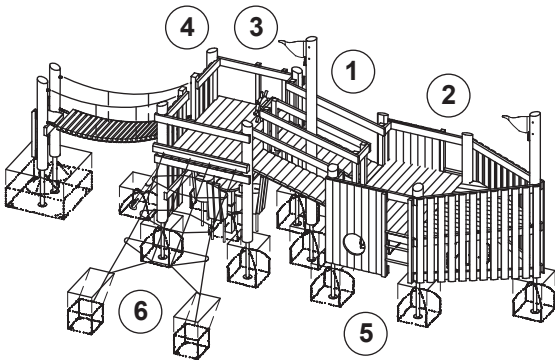
Checks depend on the kind of equipment. Any equipment with moving parts must be checked at least twice a year, static equipment at least once a year.

Intervals for maintenance work and checks generally depend on:

- location
- kind of use
- frequency of use
- possible vandalism

For more details see also „General instructions for maintenance of playgrounds“.

**Small Twin-Masted Ship**  
Order No. 8.02030



## Wooden parts

1. Check for rot and, if necessary, smooth out splinters and round off sharp edges of cracks.
2. Check that all bolts and screws are tight and retighten if necessary.
3. Check steering wheel of function and firm seated, retighten if necessary.
4. **Recommendation:** apply paraffin wax to the upper end grain areas once a year, please refer to Order No. 0.90100, 1 litre.
5. Check the ash wood rungs of the ladder for wear and tear, the remaining diameter must be at least 30 mm.

## Structural stability

6. In order to check for rot at wooden parts and steel feet for corrosion, uncover the foundations once a year.

## Combination equipment

7. Please pay attention to the **separate maintenance notes** of the following combination equipment:

Inclined Climbing Net	3.69160
Mast with Flag	L7.68100
Suspension Bridge	3.66090
Small Round Table	4.10520

**Note**  
Please check that all documents are included!

Special notes (e. g. for repairs):

Repair not carried out, it is still possible to play on equipment

Repair not carried out, equipment ist taken out of action

All work carried out, everything is in order

Maintenance carried out by

..... Date .....