

# Instructions for wear checks of play equipment

The equipment must be checked for correct operation and safety, especially the points listed below:

Proof of maintenance

Playground.....

Date of installation .....

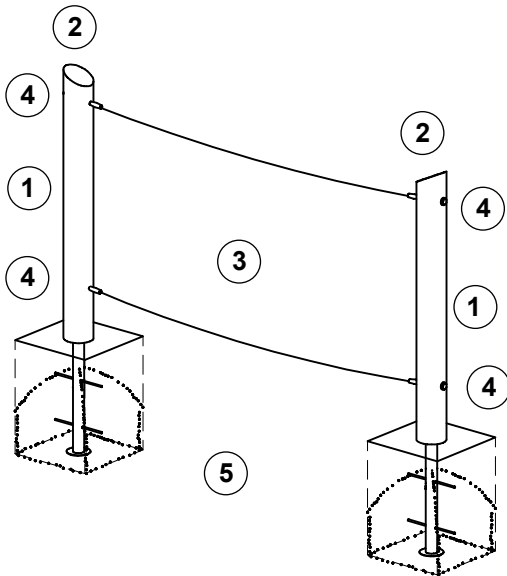
Checks depend on the type of equipment. Any equipment with moving parts must be checked at least twice a year, static equipment at least once a year.

Intervals for maintenance work and checks generally depend on

- the location
- the usage
- the frequency of use
- possible vandalism

For more details see also "General instructions for maintenance of playgrounds".

**Balancing Rope with Holding Rope**  
Order No. L6.51950



## Wooden parts

1. Check for rot and, if necessary, smooth out splinters and round off sharp edges of cracks.
2. **Recommendation:** apply paraffin wax to the upper end grain areas once a year, please refer to order No. 0.90100, 1 litre.

## Ropes and rope connections

3. Check ropes for wear and tear, if the steel reinforcement is damaged, it is imperative it be replaced.
4. Check that ropes are securely connected, retighten screws/bolts if necessary.

## Structural stability

5. Uncover the foundation once a year in order to check for rot or the steel feet for corrosion.

Special notes, e.g. for repairs

Repair not carried out, it is still possible to play on equipment

Repair not carried out, equipment is taken out of action

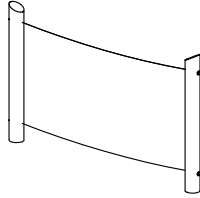
All work carried out, everything is in order

Maintenance carried out by:

For spare parts refer to back of page.

..... Date .....

**Spare parts**  
**Balancing Rope**  
**with Holding Rope**  
**Order No. L6.51950**



Please note that the safety standards of the equipment must not be affected. Therefore, when carrying out repairs it is helpful to **only use original parts**.

**Order No. Spare part**

**0.92189 Balancing or holding rope,**  
**natural coloured**

**0.92190 Balancing or holding rope,**  
**red**

