

Instructions for wear checks of play equipment

The equipment must be checked for correct operation and safety, especially the points listed below:

Proof of maintenance

Playground.....

Date of installation

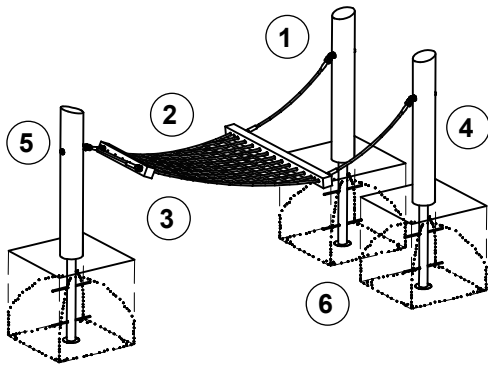
Checks depend on the type of equipment. Any equipment with moving parts must be checked at least twice a year, static equipment at least once a year.

Intervals for maintenance work and checks generally depend on

- the location
- the usage
- the frequency of use
- possible vandalism

For more details see also "General instructions for maintenance of playgrounds".

Net Lounger, red
Order No. 6.44100



Net Lounger

1. Check the connection to the stand posts and retighten if necessary.
2. Check plastic sleeves of rope and net elements for wear; replace any elements whose inner steel strands are damaged.
3. Check the connections of rope and net elements for damage and ensure they are tight, retighten if necessary.

Wooden parts

4. Check for rot and, if necessary, smooth out splinters and round off sharp edges and cracks.
5. Check all bolts and screws are tight and retighten if necessary.

Structural stability

6. Uncover the foundation once a year in order to check for rot or the steel feet for corrosion.

Attention!
Strictly adhere to the maintenance intervals!

Special notes, e.g. for repairs

Repair not carried out, it is still possible to play on equipment

Repair not carried out, equipment is taken out of action

All work carried out, everything is in order

Maintenance carried out by:

..... Date