

Instructions for wear checks of play equipment

The equipment must be checked for correct operation and safety, especially the points listed below:

Proof of maintenance

Playground.....

Date of installation

Checks depend on the type of equipment. Any equipment with moving parts must be checked at least twice a year, static equipment at least once a year.

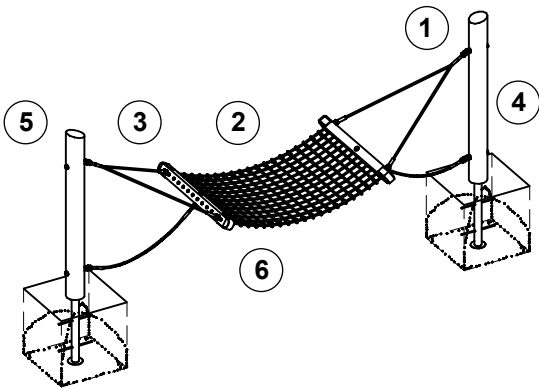
Intervals for maintenance work and checks generally depend on

- the location
- the usage
- the frequency of use
- possible vandalism

For more details see also "General instructions for maintenance of playgrounds".

Hammock red
Order No. 6.44000/
R6.44000/6.44001

Hammock natural coloured
Order No. 6.44010



Hammock

1. Check the connection to the stand posts and retighten if necessary.
2. Check plastic sleeves of rope and net elements for wear; replace any elements whose inner steel strands are damaged.
3. Check the connections of rope and net elements for damage and ensure they are tight, retighten if necessary.

Wooden parts

4. Check for rot and, if necessary, smooth out splinters and round off sharp edges and cracks.
5. Check all bolts and screws are tight and retighten if necessary.

Rubber bumpers

6. Check rubber plates for wear and tear and ensure they are tight, replace them if necessary.

Structural stability

7. Uncover the foundation once a year in order to check for rot or the steel feet for corrosion.

Attention!
Strictly adhere to the maintenance intervals!

Special notes, e.g. for repairs

Repair not carried out, it is still possible to play on equipment	<input type="checkbox"/>	
Repair not carried out, equipment is taken out of action	<input type="checkbox"/>	
All work carried out, everything is in order	<input type="checkbox"/>	
Maintenance carried out by: Date		