

Instructions for wear checks of play equipment

The equipment must be checked for correct operation and safety, especially the points listed below:

Proof of maintenance

Playground.....

Date of installation

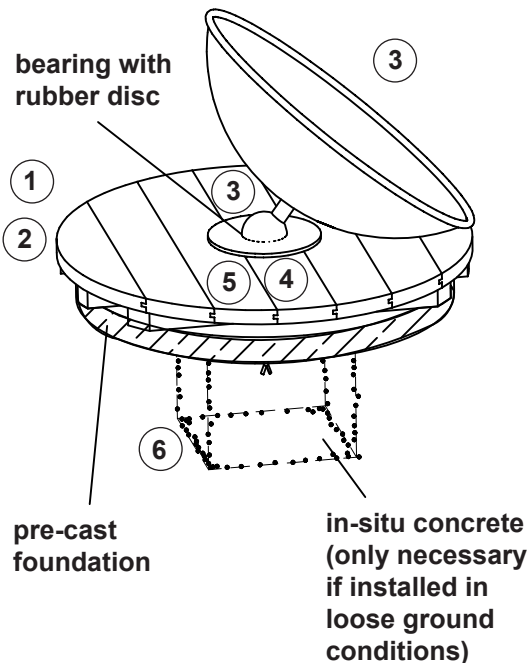
Checks depend on the type of equipment. Any equipment with moving parts must be checked at least twice a year, static equipment at least once a year.

Intervals for maintenance work and checks generally depend on

- the location
- the usage
- the frequency of use
- possible vandalism

For more details see also "General instructions for maintenance of playgrounds".

Wobble Dish
Order No. 6.27300



Wooden parts

1. Check for rot and, if necessary, smooth out splinters and round off sharp edges of cracks.
2. Check that all bolts and screws are tight and retighten if necessary.

Wobbling mechanism

3. Check that the dish rotates smoothly. Unscrew the rubber ring in order to remove any dirt that may have accumulated around the bearing.
4. Check the bearing for wear and tear.
5. Check that the dish is securely connected; retighten the connection if necessary.

Structural stability

6. In order to check the stability of the floor fastening, uncover the foundation once a year.

Special notes, e.g. for repairs

Repair not carried out, it is still possible to play on equipment

Repair not carried out, equipment is taken out of action

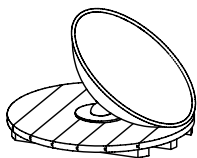
All work carried out, everything is in order

Maintenance carried out by:

For spare parts refer to back of page.

..... Date

Spare parts
Wobble Dish
Order No. 6.27300



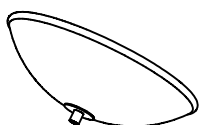
Please note that the safety standards of the equipment must not be affected. Therefore, when carrying out repairs it is helpful to **only use original parts**.

Order No. Spare part

0.92286 bearing



0.92287 stainless steel dish



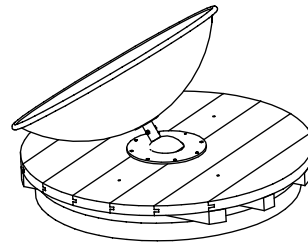
0.92288 universal joint with ball bearings



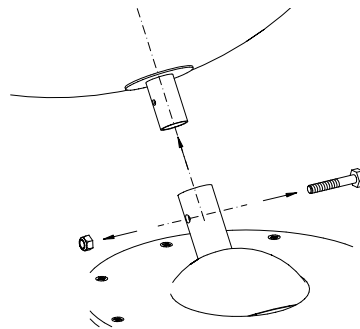
**Exchanging the
universal joint with ball bearings
Order No. 0.92288**

Tools: set of spanners
Torx bits
set of Allen keys
Seeger circlip pliers
set of ratchets with extension

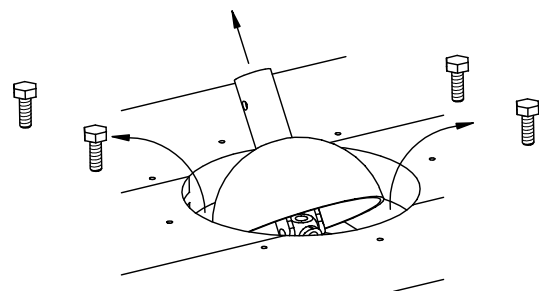
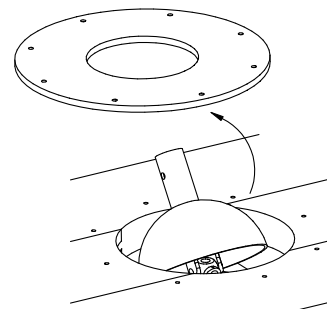
1. Loosen the connection between the wobble dish and the rotating mechanism and remove the wobble dish.



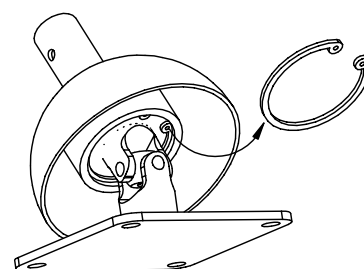
2. Remove the rubber cover (Torx 25). If necessary, clean the cavity in the centre of the floor and expose the rotating mechanism.



3. Loosen the bolts of the foot plate and remove the rotating mechanism (ratchet with extension).



4. Disassemble the Seeger circlip using special pliers.

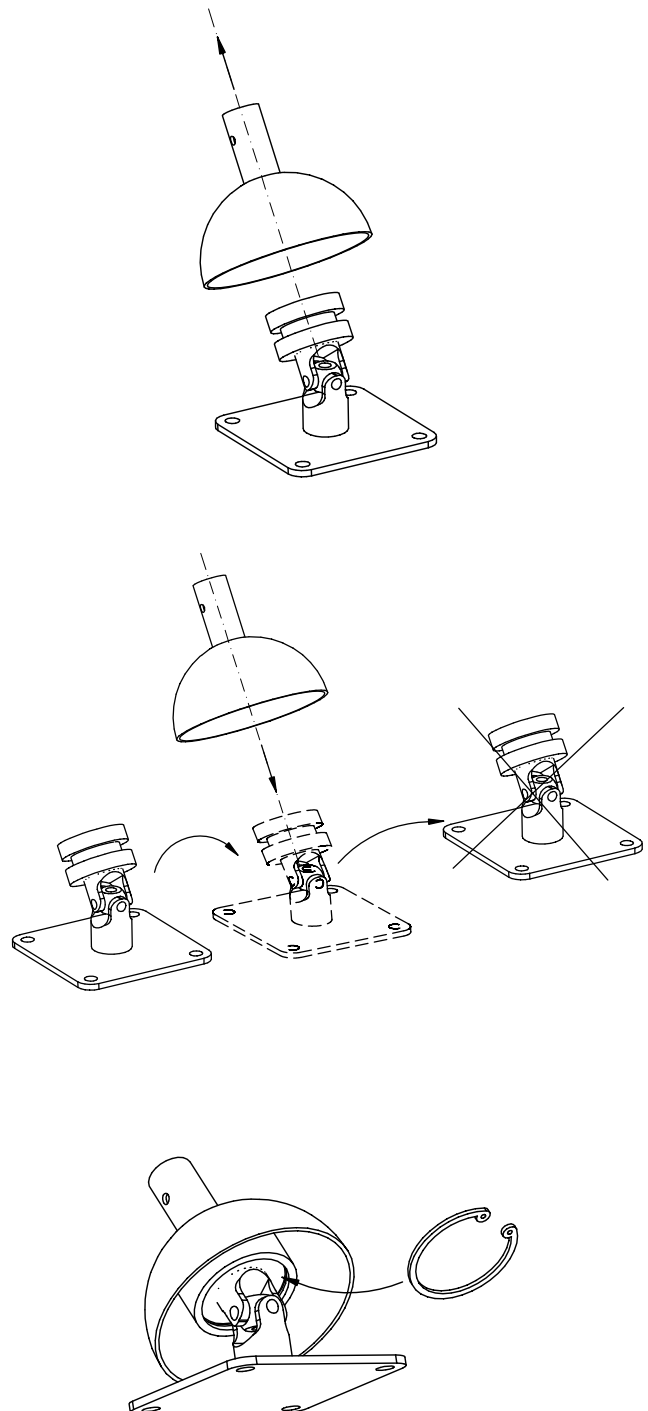


**Exchanging the
universal joint with ball bearings
Order No. 0.92288**

**5. Lift and remove the dome-shaped upper part
from the bearing.**

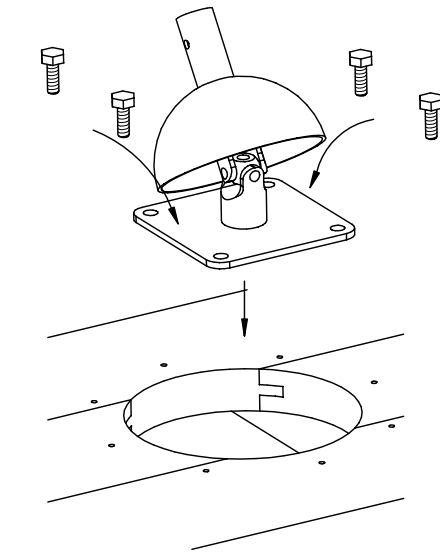
**6. Assemble the new foot plate (incl. universal
joint and ball bearings) and the upper part of
the bearing.**

7. Insert Seeger circlip using special pliers.

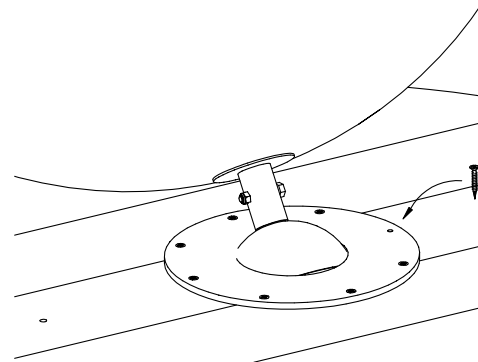


**Exchanging the
universal joint with ball bearings
Order No. 0.92288**

**8. Replace the rotating mechanism and screw
onto the concrete slab.**



**9. Screw on rubber disc and connect the wobble
dish to the rotating mechanism.**



10. Check that the wobble dish rotates smoothly.

