

Instructions for wear checks of play equipment

The equipment must be checked for correct operation and safety, especially the points listed below:

Proof of maintenance

Playground

Date of installation

Checks depend on the kind of equipment. Any equipment with moving parts must be checked at least twice a year, static equipment at least once a year.

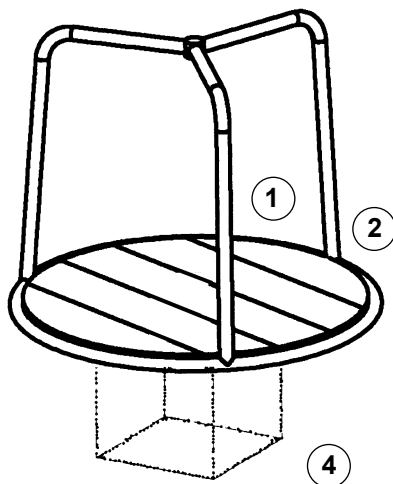
Intervals for maintenance work and checks generally depend on:

- location
- kind of use
- frequency of use
- possible vandalism

For more details see also „General instructions for maintenance of playgrounds“.

Small Carousel
Order No. 6.26501

Small Carousel
made of ruffle sheet
Order No. 6.26504



Wooden parts

1. Check for rot and, if necessary, smooth out splinters and round off sharp edges of cracks.
2. Check that all bolts and screws are tight and retighten if necessary

Rotary mechanism

3. is maintenance-free

Structural stability

4. In order to check the fixation to the ground, uncover the foundation once a year

Special notes (e. g. for repairs):

Repair not carried out, it is still possible to play on equipment

Repair not carried out, equipment ist taken out of action

All work carried out, everything is in order

Maintenance carried out by

..... Date