

# Instructions for wear checks of play equipment

The equipment must be checked for correct operation and safety, especially the points listed below:

Proof of maintenance

Playground .....

Date of installation .....

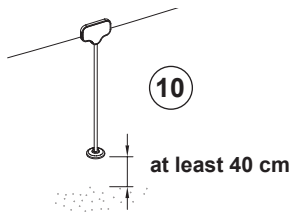
Checks depend on the type of equipment. Any equipment with moving parts must be checked at least twice a year, static equipment at least once a year.

Intervals for maintenance work and checks generally depend on

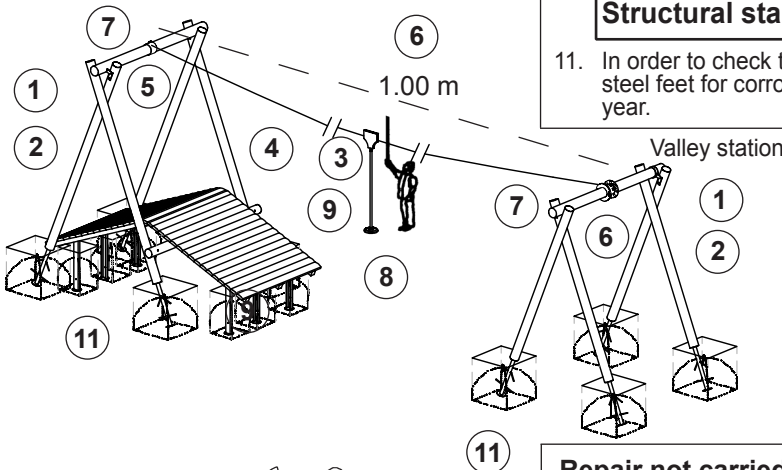
- location
- kind of use
- frequency of use
- possible vandalism

For more details see also "General instructions for maintenance of playgrounds".

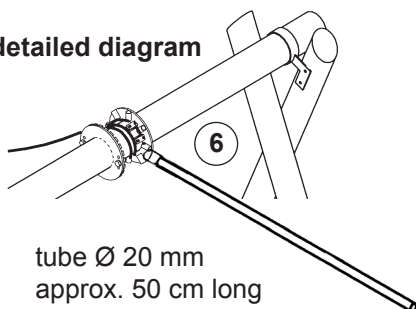
**Cable Way 30 m with starting ramp**  
Order No. 6.01050/L6.01050



Mountain station



detailed diagram



### Wooden parts

1. Check for rot and, if necessary, smooth splinters.
2. Check that all bolts and screws are tight and retighten if necessary.

### Travelling crab

3. Make sure that parts move smoothly and check for damage.

### Carrying cable/cable connection

4. Check rope for damages and replace if necessary.
5. Check articulated cable connection (mountain station) for wear.
6. Check the slack when no load is placed on the cable by measuring the distance between the line of view and the cable with the assistance of a second person performing the measurement at the check point (= 1.00 m). Re-tension the cable according to the detailed diagram.
7. Check distances of the stopper gear sets to the racks and correct it if necessary: Mountain station 60 cm, Valley station 220 cm.

### Pendulum seat/hose sleeve

8. Replace pendulum seat if metal parts are exposed.
9. Make sure hose sits firmly on the chain, check for damage and replace if necessary.
10. Check that ground clearance under the seat = 40 cm with no load placed on the seat (1st check one week after assembly, 2nd check 4 weeks after assembly, after this regular maintenance intervals), adjust ground if necessary.

### Structural stability

11. In order to check the stability of the foundation or the steel feet for corrosion, uncover the foundation once a year.

### Re-tensioning:

Put the tube which has been supplied in place and remove the safety bolts. Tension with no load placed on cable until slack = 1.00 m. Refasten bolts. The cable must be wound around at least twice at the winding position.

Repair not carried out, it is still possible to play on equipment

Repair not carried out, equipment is taken out of action

All work carried out, everything is in order

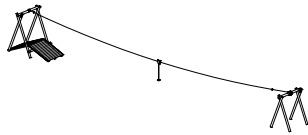
Maintenance carried out by:

..... Date .....

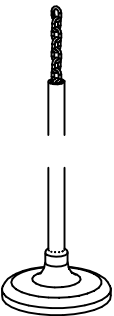
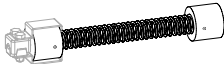
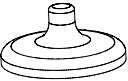


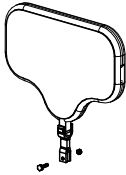
Special notes, e.g. for repairs

For spare parts refer to back of page.

**Spare Parts**  
**Cable way**  
 with starting ramp  
**6.01050/L6.01050**



Please note that the safety standards of the equipment must not be affected. Therefore, when carrying out repairs it is helpful to **only use original parts.**

Order No. Spare part	Order No. Spare part
<p><b>0.95000</b> pendulum seat with suspension chain length 1.50 m</p> 	<p><b>0.95051</b> stopper spring for mountain station</p> <p><b>0.95052</b> stopper spring for valley station</p> 
<p><b>0.94110</b> pendulum seat without disc</p> 	<p><b>0.95015</b> wear buffer for travelling crab</p> 
<p><b>0.94120</b> disc</p> 	<p><b>0.95012</b> travelling crab</p> 
<p><b>0.95020</b> carrying cable 34 m</p> 