

# Instructions for wear checks of play equipment

The equipment must be checked for correct operation and safety, especially the points listed below:

Proof of maintenance

Playground.....

Date of installation .....

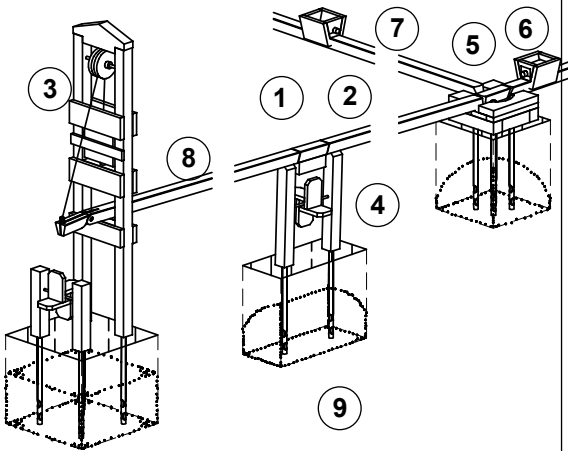
Checks depend on the type of equipment. Any equipment with moving parts must be checked at least twice a year, static equipment at least once a year.

Intervals for maintenance work and checks generally depend on

- location
- usage
- frequency of use
- possible vandalism

For more details see also "General instructions for maintenance of playgrounds".

**Conveyor Track**  
Order No. 5.09400ff.



## Wooden parts

1. Check for rot and, if necessary, smooth out splinters and round off sharp edges of cracks.
2. Check that all bolts and screws are tight and retighten if necessary.

## Bearings and chains

3. Check for wear and tear.
4. Check that sand wheels move smoothly.

## Point

5. Check that axle move smoothly.
6. Check polyamide roll for wear and tear, replace if necessary.

## Container wagons

7. Ensure that wagons move smoothly and check for wear and tear. Replace if necessary.

## Brakes

8. Check for wear and tear.

## Structural stability

9. In order to check for rot at wooden parts or steel feet for corrosion, uncover the foundations once a year.

Special notes, e.g. for repairs

Repair not carried out, it is still possible to play on equipment	<input type="checkbox"/>	
Repair not carried out, equipment is taken out of action	<input type="checkbox"/>	
All work carried out, everything is in order	<input type="checkbox"/>	

Maintenance carried out by:  
..... Date .....