

Instructions for wear checks of play equipment

The equipment must be checked for correct operation and safety, especially the points listed below:

Proof of maintenance

Playground.....

Date of installation

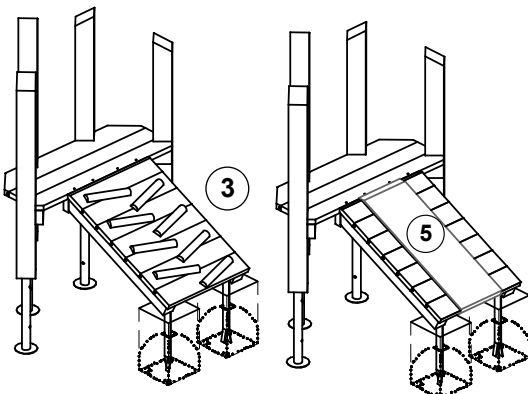
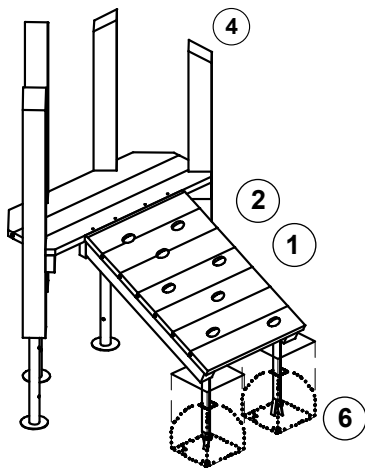
Checks depend on the type of equipment. Any equipment with moving parts must be checked at least twice a year, static equipment at least once a year.

Intervals for maintenance work and checks generally depend on

- location
- usage
- frequency of use
- possible vandalism

For more details see also "General instructions for maintenance of playgrounds".

Incline Wall
for Totter Trail
Order No. 4.03133
Order No. 4.03134
Order No. 4.03135



Wooden parts

1. Check for rot and, if necessary, smooth out splinters and round off sharp edges and cracks
2. Check for firm and exact fit
3. Check climbing woods for firm fit
4. **Recommendation:** apply paraffin wax to the end grain areas once a year, especially near the ground; please refer to Order No. 0.90100, 1 litre.

Stainless steel surface

5. Check the surface for vandalism

Structural stability

6. Uncover the foundations once a year to check the steel feet for corrosion

Repair not carried out, it is still possible to play on equipment

Repair not carried out, equipment is taken out of action

All work carried out, everything is in order

Maintenance carried out by:

..... Date

Special notes, e.g. for repairs