

# Instructions for wear checks of play equipment

The equipment must be checked for correct operation and safety, especially the points listed below:

Proof of maintenance

Playground .....

Date of installation .....

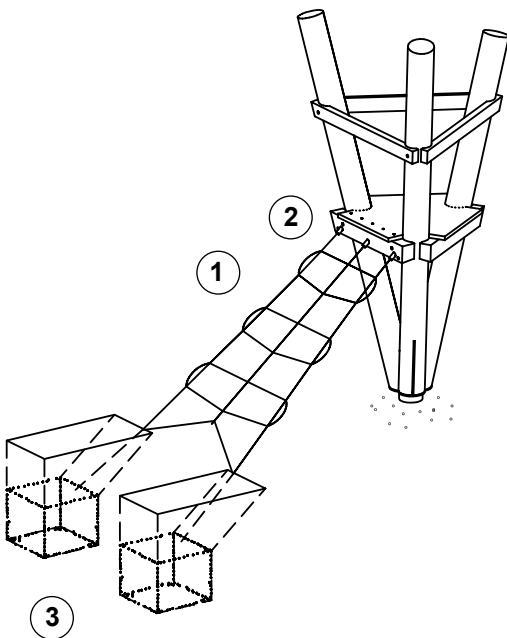
Checks depend on the type of equipment. Any equipment with moving parts must be checked at least twice a year, static equipment at least once a year.

Intervals for maintenance work and checks generally depend on

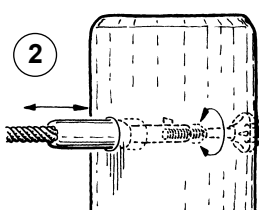
- location
- kind of use
- frequency of use
- possible vandalism

For more details see also "General instructions for maintenance of playgrounds".

**Inclined Climbing Net**  
for triangular platform  
**Order No. 3.69840/3.69841/3.69844**



detailed diagram



## Climbing net

1. Check the net for wear and tear, if the steel reinforcement is damaged it is imperative it be replaced.
2. Check that connections to triangular platform are tight and re-tension if necessary (see detailed diagram).

## Structural stability

3. Uncover the foundation once a year and check the connection (tensioning hook) to the anchoring chain, re-tension if necessary.

Repair not carried out, it is still possible to play on equipment

Repair not carried out, equipment is taken out of action

All work carried out, everything is in order

Maintenance carried out by:

..... Date .....

Special notes, e.g. for repairs