

Instructions for wear checks of play equipment

The equipment must be checked for correct operation and safety, especially the points listed below:

Proof of maintenance

Playground

Date of installation

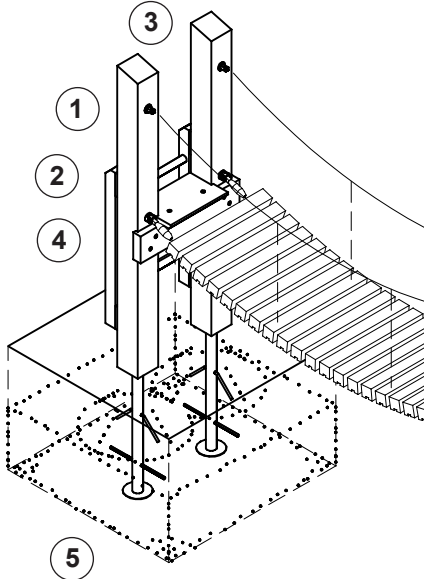
Checks depend on the type of equipment. Any equipment with moving parts must be checked at least twice a year, static equipment at least once a year.

Intervals for maintenance work and checks generally depend on

- the location
- the usage
- the frequency of use
- possible vandalism

For more details see also "General instructions for maintenance of playgrounds".

End frame with ladder for Suspension Bridge
Order No. 3.66033



Wooden parts

1. Check for rot and, if necessary, smooth splinters and sharp edges for cracks.
2. Check that all bolts and screws are tight and re-tighten if necessary.
3. Recommendation: apply paraffin wax to the upper end grain areas once a year, please refer to order No. 0.90100, 1 litre.
4. Check the ash wood rungs of the ladder for wear and tear, the remaining diameter must be at least 30 mm.

Structural stability

5. In order to check the steel feet for corrosion, uncover the foundations once a year.

Special notes, e.g. for repairs

Repair not carried out, it is still possible to play on equipment

Repair not carried out, equipment is taken out of action

All work carried out, everything is in order

Maintenance carried out by:

..... Date