

Instructions for wear checks of play equipment

The equipment must be checked for correct operation and safety, especially the points listed below:

Proof of maintenance

Playground

Date of installation

Checks depend on the type of equipment. Any equipment with moving parts must be checked at least twice a year, static equipment at least once a year.

Intervals for maintenance work and checks generally depend on

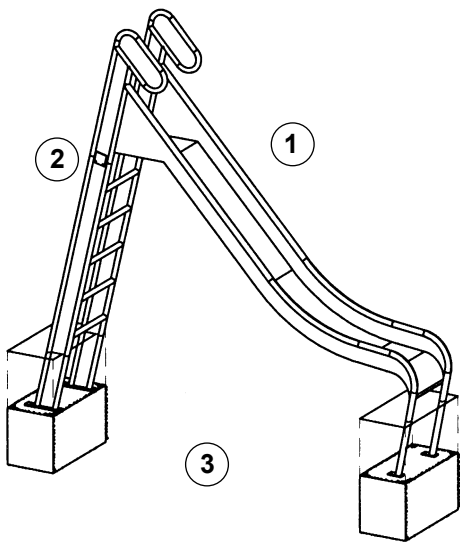
- location
- kind of use
- frequency of use
- possible vandalism

For more details see also "General instructions for maintenance of playgrounds".

Free Standing Slide

Height 1.50 / 1.80 / 2.00 m

Order No. 3.65600/3.65610/3.65620/
3.65800/3.65810/3.65820



Slide surface

1. Check for vandalism.
2. Check that all bolts and screws are tight and retighten if necessary.

Structural stability

3. In order to check the stability of the foundation or the steel feet for corrosion, uncover the foundation once a year.

Special notes, e.g. for repairs

Repair not carried out, it is still possible to play on equipment

Repair not carried out, equipment is taken out of action

All work carried out, everything is in order

Maintenance carried out by:

..... Date