

Instructions for wear checks of play equipment

The equipment must be checked for correct operation and safety, especially the points listed below:

Proof of maintenance

Playground

Date of installation

Checks depend on the type of equipment. Any equipment with moving parts must be checked at least twice a year, static equipment at least once a year.

Intervals for maintenance work and checks generally depend on

- location
- kind of use
- frequency of use
- possible vandalism

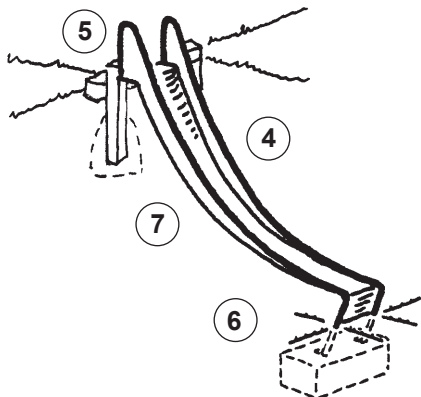
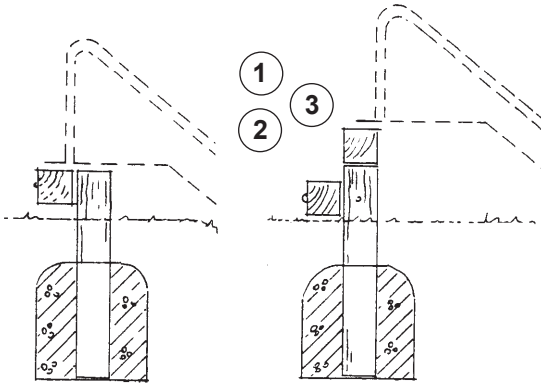
For more details see also "General instructions for maintenance of playgrounds".

Slide Support

Order No. 3.65250/3.65251/
3.65350/3.65351/3.65450/3.65451

with step

Order No. 3.65200/3.65201/
3.65300/3.65301/3.65400/3.65401



Wooden parts

1. Check for rot and, if necessary, smooth out splinters and round off sharp edges of cracks.
2. Check that all bolts and screws are tight and retighten if necessary.
3. **Recommendation:** apply paraffin wax to the upper end grain areas once a year, please refer to Order No. 0.90100, 1 litre.

Slide

4. Check the slide surface for vandalism.
5. Check that all bolts and screws are tight and retighten if necessary.

Structural stability

6. In order to check for rot at wooden parts and steel feet for corrosion, uncover the foundations once a year.
7. Check that the surface of the ground has not changed in such a way that there are unacceptable risks (e. g. exposed foundations), refill surfacing material, if required.

Repair not carried out, it is still possible to play on equipment

Repair not carried out, equipment is taken out of action

All work carried out, everything is in order

Maintenance carried out by:

..... Date

Special notes, e.g. for repairs