

Instructions for wear checks of play equipment

The equipment must be checked for correct operation and safety, especially the points listed below:

Proof of maintenance

Playground.....

Date of installation

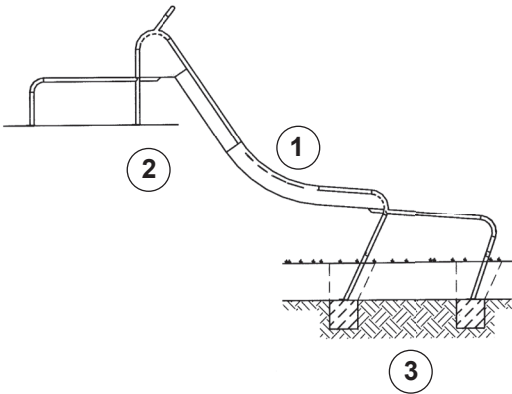
Checks depend on the type of equipment. Any equipment with moving parts must be checked at least twice a year, static equipment at least once a year.

Intervals for maintenance work and checks generally depend on

- the location
- the usage
- the frequency of use
- possible vandalism

For more details see also "General instructions for maintenance of playgrounds".

Stainless Steel Slide
for wheelchair users
Order No. 3.63323
Order No. 3.63303
Order No. 3.63302



Sliding surface

1. Check for vandalism
2. Check that bolts and screws on main equipment are tight and reighten if necessary

Structural stability

3. Uncover the foundation once a year in order to check the structural stability or the steel feet for corrosion

Special notes, e.g. for repairs

Repair not carried out, it is still possible to play on equipment

Repair not carried out, equipment is taken out of action

All work carried out, everything is in order

Maintenance carried out by:

..... Date