

Instructions for wear checks of play equipment

The equipment must be checked for correct operation and safety, especially the points listed below:

Proof of maintenance

Playground.....

Date of installation

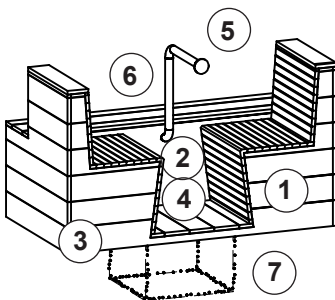
Checks depend on the type of equipment. Any equipment with moving parts must be checked at least twice a year, static equipment at least once a year.

Intervals for maintenance work and checks generally depend on

- the location
- the usage
- the frequency of use
- possible vandalism

For more details see also "General instructions for maintenance of playgrounds".

Rowing Machine
Order No. 11.50101



Wooden parts

1. Check for rot and, if necessary, smooth out splinters and round off sharp edges of cracks.

Resistance system

2. Check the connection between the bracket and the resistance. Make sure there is no play.
3. Ensure that radial damper consistently provides the set resistance.
4. Check radial damper for cracks as well as for wear and tear, replace if necessary.
5. Check that radial damper moves smoothly.

Rowing bar

6. Check that bolts and screws are tight and retighten if necessary.

Structural stability

7. Uncover the foundation once a year in order to check the fixation to the ground.

Special notes, e.g. for repairs

Repair not carried out, it is still possible to play on equipment

Repair not carried out, equipment is taken out of action

All work carried out, everything is in order

Maintenance carried out by:

..... Date