

Instructions for wear checks of play equipment

The equipment must be checked for correct operation, especially the points listed below:

Proof of maintenance

Location.....

Date of installation

Checks depend on the type of equipment. Any equipment with moving parts must be checked at least twice a year, static equipment at least once a year.

Intervals for maintenance work and checks generally depend on

- location
- frequency of use
- possible vandalism

Mechanism

1. Check that lid can be slid easily. It must not be possible to take the lid off.

Stainless steel

2. Clean with stainless steel spray using a clean cloth.

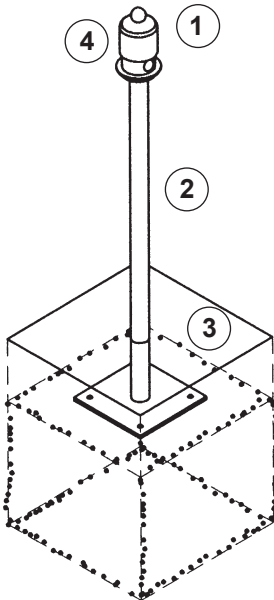
Structural stability

3. Check anchoring to the ground every 12 months.

Refilling of scent oils

4. Please pay attention to the notes on page 2.

Scented Organ
Order No. 10.61000/10.61030
10.61050



Special notes, e.g. for repairs

Repair not carried out, it is still possible to play on equipment

Repair not carried out, equipment is taken out of action

All work carried out, everything is in order

Maintenance carried out by:

..... Date

Filling the scent oils

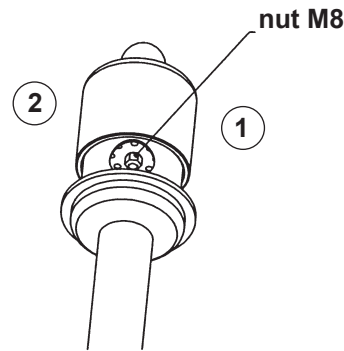
Note

We recommend refilling only when you notice that the scent oils have disappeared.

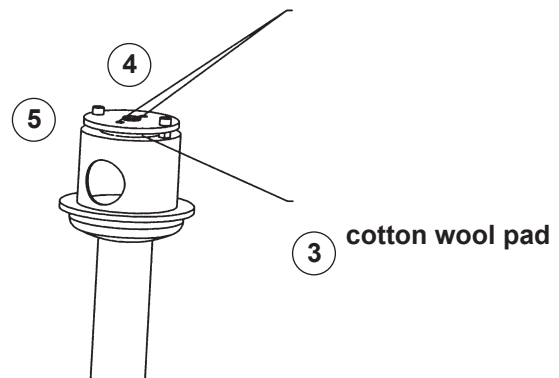
Dosing of the scent oils should be carried out extremely carefully so as to avoid any irritation caused by too intense scents/ smells. We recommend an amount of 2 - 5 drops.

Refilling

1. Lift the cover and loosen the M8 nut inside.
2. Remove the cover.
3. If necessary, replace the cotton wool pad.
4. Pour a few drops of the scent oil onto the cotton wool pad through the top outer holes.
5. Replace the cover and screw the nut up.



holes for scent oils



scent oils

Pillar No. 1

(shortest/innermost scent pillar):
Rosewood

Pillar No. 2

Peppermint

Pillar No. 3

Sage

Pillar No. 4

Cinnamon

Pillar No. 5

Lemon

Pillar No. 6

Clove

Pillar No. 7

Aniseed

Pillar No. 8

Birch sap

Pillar No. 9

(tallest/outermost scent pillar):
Bitter almond

Height of pillars

Pillar No.	Height (cm)
1	90
2	95
3	100
4	105
5	110
6	115
7	120
8	125
9	130

