

**Play value**

Changes between phases of activity and rest are necessary for balanced recreation. This means equipment of both areas and also careful consideration about how rest areas should be designed. Benches and tables can lend an extra ambience to the play area and act as a complementary meeting point.



Order No. 9.70000 Waste Bin



© Richter Spielgeräte GmbH 06/22

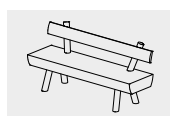
**Fundamental characteristics**

- Natural wooden surface for pleasant seating

**Recommended for**

- Kindergarten children
- School children
- Young people
- Adults
- Older people
- Public play areas without supervision, such as playgrounds, parks or similar

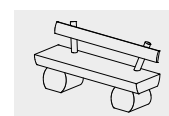
**Benches  
Table  
Waste Bin**



L9.20000 / L9.22000



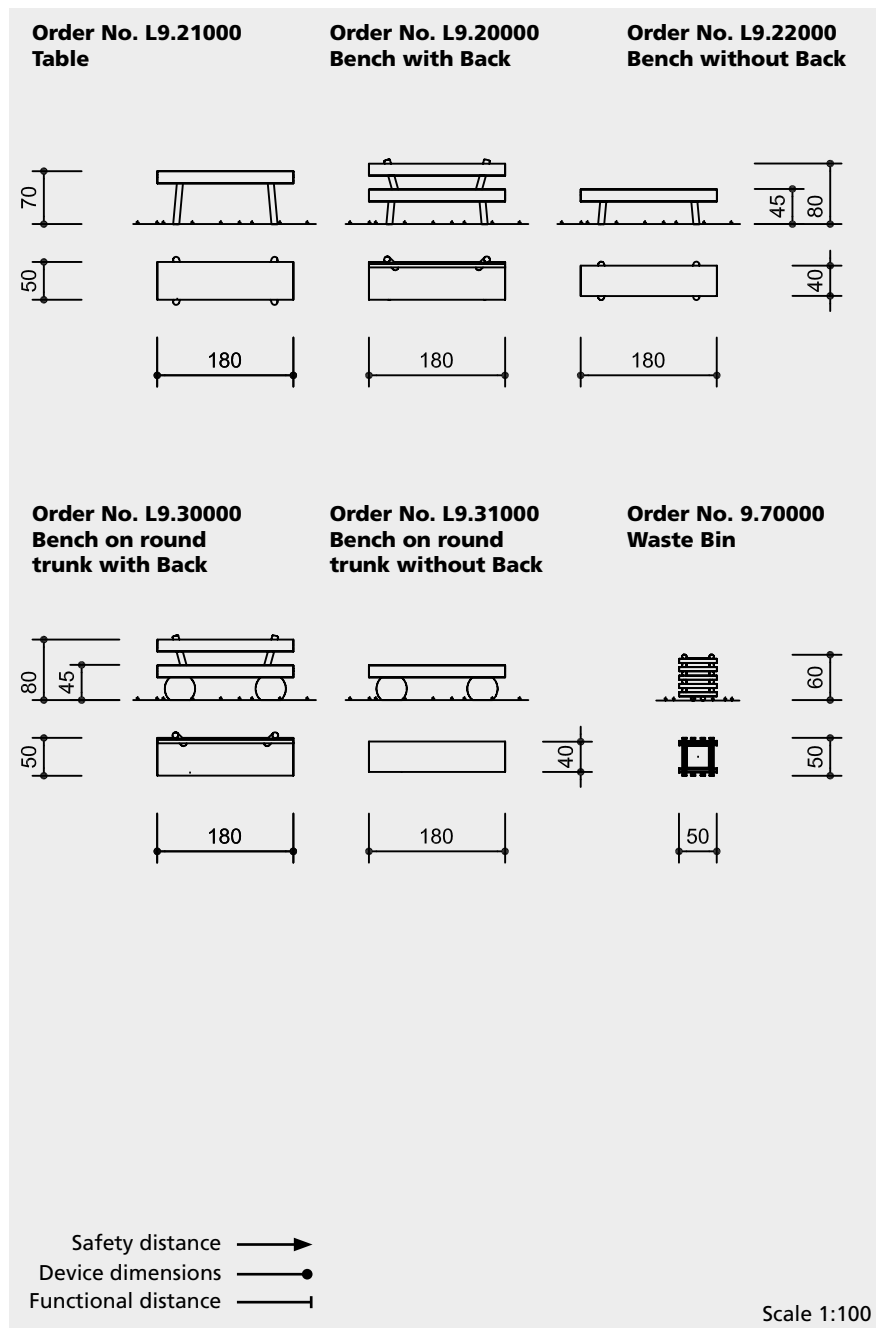
L9.21000



L9.30000 / L9.31000



9.70000



Safety check according to DIN EN 1176

**Components**

1 Part each

**Installation information**

Surfacing requirements  
 No requirements

Foundations  
 Only necessary as anchorage

**Attention:**  
**Exact measurements may vary;**  
**for all installation dimensions refer**  
**to current assembly instructions.**  
 Technical changes reserved.

**Technical information**

Equipment made of non-impregnated mountain larch

**Order No. L9.20000 - L9.31000 Benches and Table**

**Core-free**  
 Sawn-timbers core-free, thus decreasing occurrences of cracking and undesired changes in shape



**For more detailed explanation of the quality characteristics see price list.**

Feet Ø 75 mm

Table tops and seat surfaces made of boards, 14 cm thick

**Order No. 9.70000 Waste Bin**

**Core-free**  
 Sawn-timbers core-free, thus decreasing occurrences of cracking and undesired changes in shape



**Ground anchor**  
 All parts used for anchoring to the ground are made of hot-dip galvanised steel or stainless steel



**For more detailed explanation of the quality characteristics see price list.**

Insert made of stainless steel, glass bead blasted

**Dimensions**

(small deviations possible)

**Order No. L9.21000 Table**

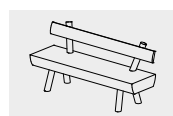
Height	0.70 m
Length	1.80 m
Width	0.50 m
Weight	80 kg

**Benches**

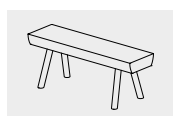
Seat height	0.45 m
Length	1.80 m
Seat surface	0.35 - 0.45 m
Weight	60 - 100 kg

**Order No. 9.70000 Waste Bin**

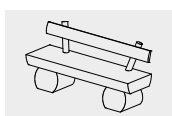
Height	0.60 m
Length	0.50 m
Width	0.50 m
Weight	25 kg



L9.20000 / L9.22000



L9.21000



L9.30000 / L9.31000



9.70000