

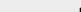
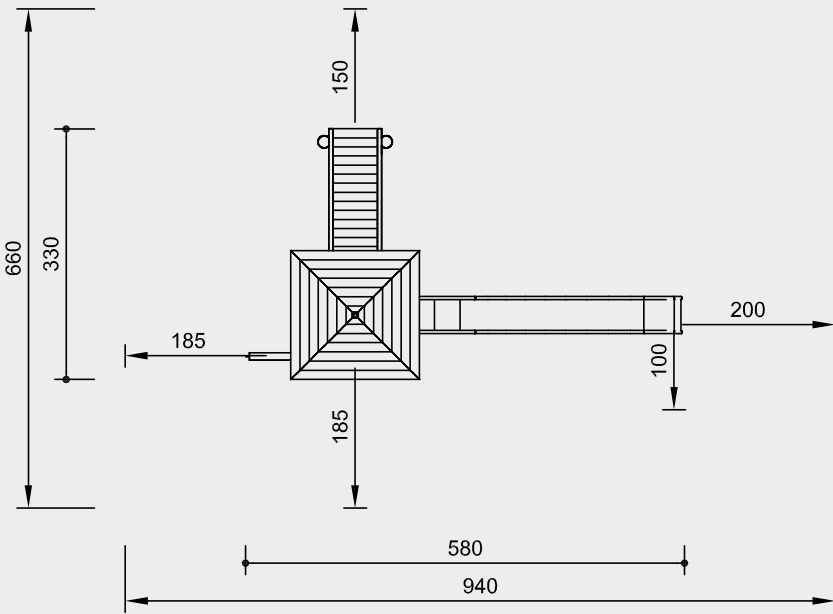
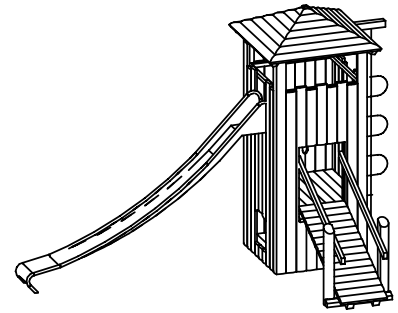


**Order No. L2.30001**  
**Tower Combination 30 made of larch**

Safety distance   
 Device dimensions   
 Functional distance 



**Order No. L2.30001**  
**Tower Combination 30 made of larch**



**Components**

**Order No.**

- |  |                 |
|--|-----------------|
| 1 Square Tower with roof with steel feet | <b>L3.20600</b> |
| 1 Climbing Ladder with beam              | <b>3.69410</b>  |
| 1 Support Frame for Bridge               | <b>3.66353</b>  |
| 1 Bridge 2.00 m                          | <b>3.66425</b>  |
| 1 End Frame for ramp with steel feet     | <b>3.66411</b>  |
| 1 Stainless Steel Slide                  | <b>3.63420</b>  |




Scale 1:100

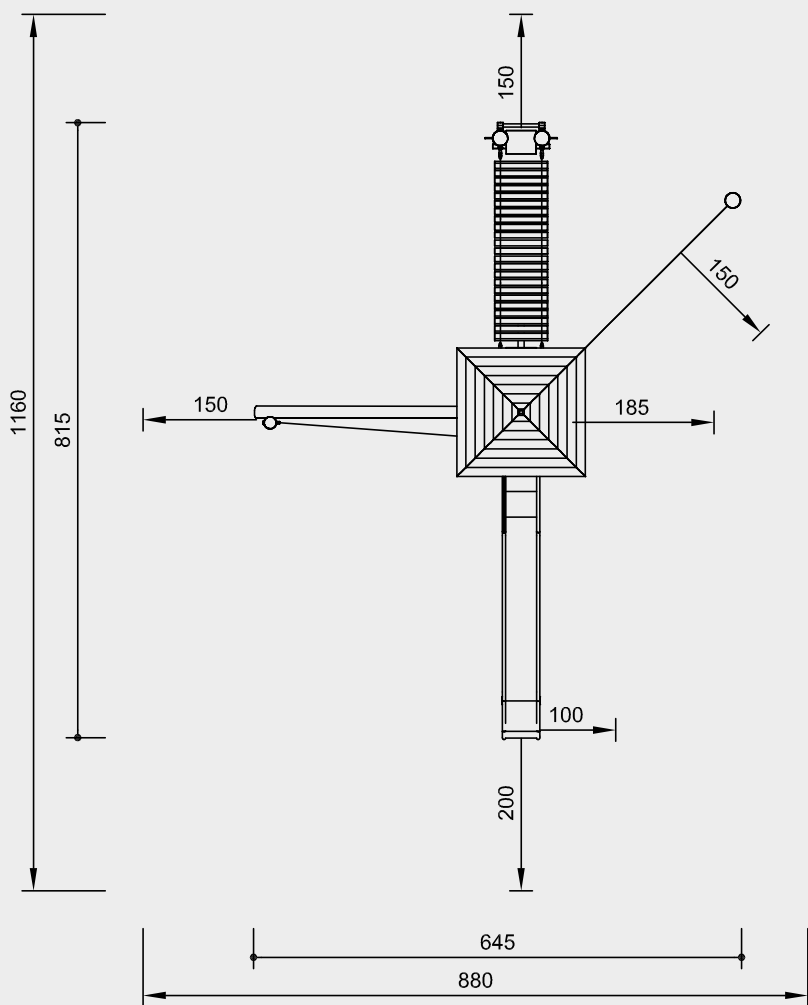
Safety check according to DIN EN 1176



**L2.30001**

**Order No. L2.33101**  
**Tower Combination 331 made of larch**

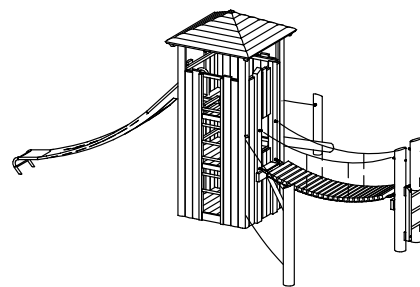
Safety distance   
 Device dimensions   
 Functional distance 



Scale 1:100

Safety check according to DIN EN 1176

**Order No. L2.33101**  
**Tower Combination 331 made of larch**



**Components**

**Order No.**

- |   |                 |
|---|-----------------|
| 1 Square Tower with roof with steel feet          | <b>L3.20600</b> |
| 1 Support Frame for Suspension Bridge             | <b>3.66005</b>  |
| 1 Running Boards for Suspension Bridge 3.00 m     | <b>3.66090</b>  |
| 1 End Frame with steel foot and ladder            | <b>L3.66030</b> |
| 1 Inclined Balancing Beam with steel foot         | <b>3.68301</b>  |
| 1 Stainless Steel Slide                           | <b>3.63420</b>  |
| 1 Balancing Rope with steel foot and holding rope | <b>L3.69010</b> |



**L2.33101**