

**Play value**

Our Ball Track is a very special experience. Multiple starting points, a ball basin, an adjustable disc as well as an exiting course allow for varied and stimulating play. Tracking and observing the ball all the way to the finish and then sending it off again, is great fun and gets young and old moving. In addition, the direction of the ball can be changed with the adjustable disc.



The colours of the standard version differ from those shown in the photos.



© Richter Spielgeräte GmbH 08/24

**Fundamental characteristics**

- Self-explanatory, attractive design
- Simple physical principles and processes are imparted in a playful manner
- Incentive for playing: observing, experimenting, communicating, exercising

**Recommended for**

- Kindergarten children
- School children
- Only supervised play areas
- Leisure parks

**Barrier-free**

- Independent play

**Components**

**Order No. 9.19100**

- 6 Tracks
- 1 Adjustable disc
- 2 Balls

**Order No. 9.19200**

- 7 Tracks
- 1 Ball basin
- 1 Adjustable disc
- 2 Balls

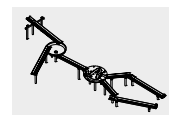
**Order No. 9.19500**

- 7 Tracks
- 1 Ball basin
- 1 Adjustable disc
- 1 Finish plate
- 2 Balls

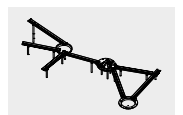
**Small Ball Track, Type 1**  
**Small Ball Track, Type 2**  
**Medium Ball Track**



9.19100




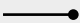
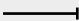
9.19200

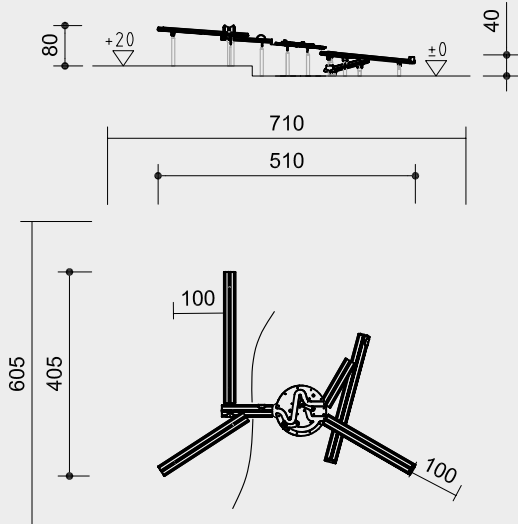


9.19500

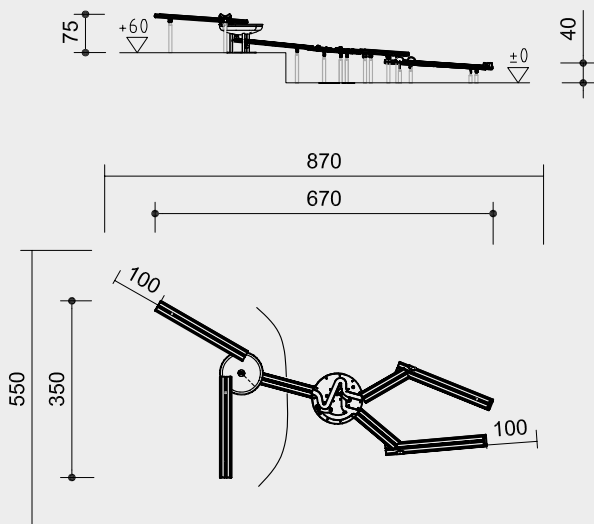
Design F. Dorband / K. H. Thiele

**Order No. 9.19100 Small Ball Track, Type 1**

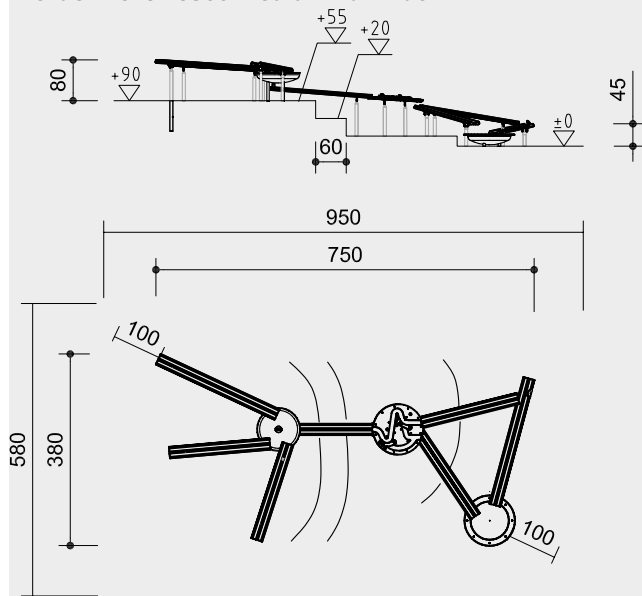
Safety distance   
 Device dimensions   
 Functional distance 



**Order No. 9.19200 Small Ball Track, Type 2**



**Order No. 9.19500 Medium Ball Track**



Safety check according to DIN EN 1176

Scale 1:150

**Technical information**

Tracks made of non-impregnated mountain larch

**Core-free**

Sawn-timbers core-free, thus decreasing occurrences of cracking and undesired changes in shape



**Ground anchor**

All parts used for anchoring to the ground are made of hot-dip galvanised steel or stainless steel



**For more detailed explanation of the quality characteristics see price list.**

Ball basin and finish plate made of stainless steel, glass-bead blasted

Adjustable disc of high pressure laminate, 10 mm

Rubber elements made of elevator belt, PAH-free, laminated with textile  
 Balls made of PVC.

**Dimensions**

(small deviations possible)

**Order No. 9.19100 Small Ball Track, Type 1**

Height	0.80 m
Length	5.10 m
Width	4.05 m
Weight	165 kg

**Order No. 9.19200 Small Ball Track, Type 2**

Height	0.75 m
Length	6.70 m
Width	3.50 m
Weight	200 kg

**Order No. 9.19500 Medium Ball Track**

Height	0.80 m
Length	7.50 m
Width	3.80 m
Weight	245 kg

**Installation information**

Surfacing requirements corresponding to a fall height of  $\leq 0.60$  m (please refer to price list for more detailed information)

**Foundations**

**Order No. 9.19100**

- 11 items 50 x 50 x 40
- 1 item 70 x 70 x 40
- Excavation depth 60 cm

**Order No. 9.19200**

- 11 items 50 x 50 x 40
- 1 items 70 x 70 x 40
- 1 items 60 x 60 x 40
- Excavation depth 60 cm

**Order No. 9.19500**

- 13 items 50 x 50 x 40,
- 1 items 70 x 70 x 40
- 2 items 60 x 60 x 40
- Excavation depth 60 cm

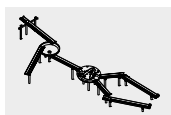
**Attention:**

**Exact measurements may vary; for all installation dimensions refer to current assembly instructions.**

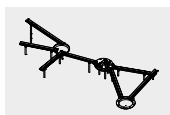
Technical changes reserved.



9.19100



9.19200



9.19500