



Photo © Paul Upward



Order No. 9.08500 Kling Klang Disc with support post

**Play value**

The Kling Klang Disc is a play offer for people of all age groups. By turning of the disc, the spheres start moving and touch the obstacles inside, thus producing an amiable „kling-klang“ sound. It is not only fun to discover the different nuances of sound, but also to observe the way of the rolling spheres. The Kling Klang Disc is available for wall attachment or with support post.

**Fundamental characteristics**

- Unique and original
- Pleasant design
- Visual and aural experience
- Incentive for playing: turning disc, spheres, curiosity
- Experience: sounds, cause and effect

**Recommended for**

- School children
- Supervised play areas, such as kindergartens, schools, after-school programmes or similar
- Public play areas without supervision, such as playgrounds, parks or similar

**Barrier-free**

- Independent play



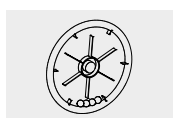
Order No. 9.08000 Kling Klang Disc for wall attachment, Photo © Daniel Perales

**Kling Klang Disc for wall attachment  
Kling Klang Disc with support post**

Acoustic effect	soft
Vandalism	not vulnerable



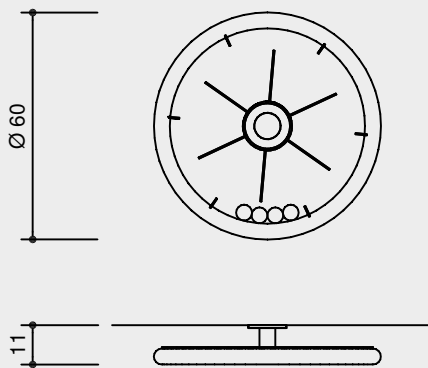
Order No. 9.08000 Kling Klang Disc for wall attachment, Photo © Daniel Perales



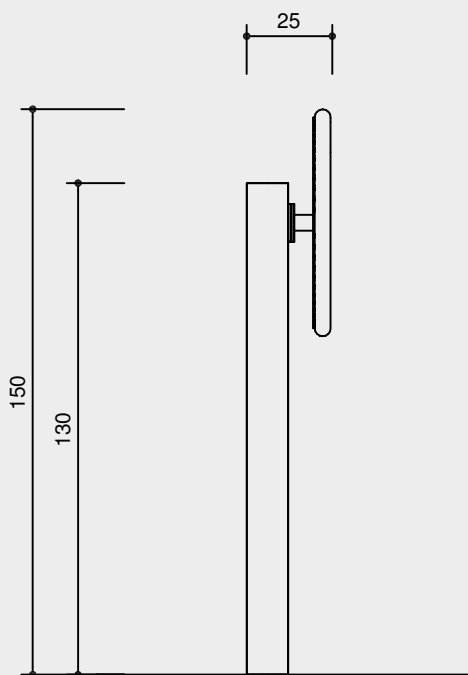
9.08000 / 9.08500

**Order No. 9.08000**  
**Kling Klang Disc for wall attachment**

Safety distance   
 Device dimensions   
 Functional distance 



**Order No. 9.08500**  
**Kling Klang Disc with support post**



Scale 1:20

Safety check according to DIN EN 1176

**Components**

**Order No. 9.08000**

1 Kling Klang Disc

**Order No. 9.08500**

1 Kling Klang Disc  
 1 Support post for dowelling,  
 with 4 heavy duty anchors

**Installation information**

Recommended space  
 diameter 1.50 m

Foundations

**Order No. 9.08500**

**Kling Klang Disc  
 with support post**

1 item 50 x 50 x 40 cm  
 Excavation depth 60 cm, for dowelling

**Attention:**

**Exact measurements may vary;  
 for all installation dimensions refer  
 to current assembly instructions.**

Technical changes reserved.

**Technical information**

Sound disc made of stainless steel,  
 glass bead blasted

**Roller bearings**

High-quality roller bearings made  
 of chrome steel or stainless steel for  
 rotating elements, easy to maintain and  
 exchange, sealed



**For more detailed explanation of the  
 quality characteristics see price list.**

**Order No. 9.08500**

**Kling Klang Disc  
 with support post**

As above, but in addition with

**Ground anchor**

All parts used for anchoring to the  
 ground are made of hot-dip galvanised  
 steel or stainless steel



**For more detailed explanation of the  
 quality characteristics see price list.**

Transparent cover disc made of Makrolon

Spheres made of hard plastic

**Dimensions**

(small deviations possible)

**Order No. 9.08000**

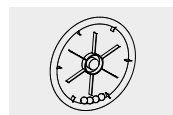
**Kling Klang Disc for wall attachment**

Diameter	0.60 m
Depth	0.11 m
Weight	30 kg

**Order No. 9.08500**

**Kling Klang Disc with support post**

Diameter	0.60 m
Depth	0.25 m
Height of support post	1.30 m
Weight	100 kg



9.08000 / 9.08500