

Play value

Three wooden columns with pump handles are placed around a central post. Raising and lowering the levers produces air pressure which drives sound elements. Pumping produces different triads. Playing together with the Wind Pump produces elementary experience of rhythm and tone using simple hand movements. This attractive play equipment is an appealing enhancement of parks and leisure areas. It is just as suited as a central feature of play areas.



© Richter Spielgeräte GmbH 06/22

Wind Pumps

Fundamental characteristics

- Unique and original
- Harmonic design
- Incentive for playing: interesting installation, curiosity
- Movement: pumping

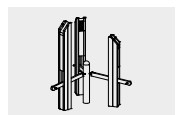
Acoustic effect	strong / pipes
Vandalism	not vulnerable

Recommended for

- School children
- Supervised play areas, such as kindergartens, schools, after-school programmes or similar
- Public play areas without supervision, such as playgrounds, parks or similar

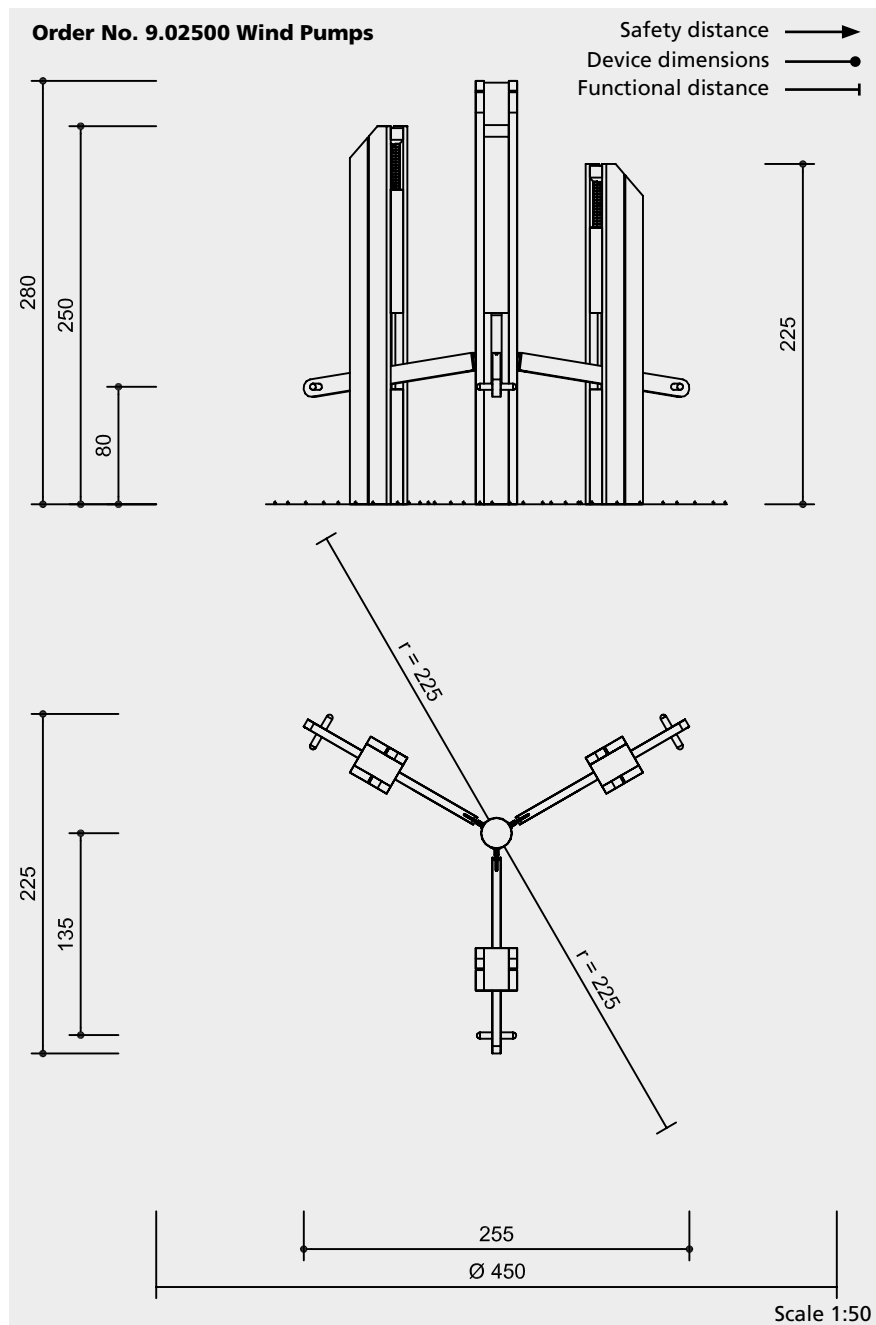
Barrier-free

- Independent play



9.02500

Design F. Dorband / K. H. Thiele



Safety check according to DIN EN 1176

Components

- 3 Individual pumps with integrated sound elements and steel feet
- 1 Central column with 3 levers and steel foot

Installation information

Surfacing requirements
no requirements

Foundations
4 items 50 x 50 x 60 cm
Excavation depth 80 cm

Attention:
Exact measurements may vary; for all installation dimensions refer to current assembly instructions.
 Technical changes reserved.

Technical information

Equipment made of non-impregnated mountain larch

Peeled white

Palisades peeled white means that bark, cambium and sapwood are removed, the natural shape of the trunk is preserved and can be experienced



Core-free

Sawn-timbers core-free, thus decreasing occurrences of cracking and undesired changes in shape



Ground anchor

All parts used for anchoring to the ground are made of hot-dip galvanised steel or stainless steel



For more detailed explanation of the quality characteristics see price list.

1 piston pump per column each with 2 pipes, tuned to the pentatonic scale

Hot-dip galvanised fittings

Dimensions

(small deviations possible)

Height	2.80 m
Weight	300 kg



9.02500