



Play value

Our Elephant with Trunk Slide can be seen from a long way away. The large animal is an impressive example of play space design. Small and big children immediately recognise the elephant and want to explore the life within. A large play area is situated in the body, which invites them to hide away and engage in role-playing games. The slide in the trunk allows a quick getaway to the ground.

Fundamental characteristics

- Impressive design statement
- Very special appeal
- Eye-catcher of a play area
- Attractive meeting point
- Large play area underneath the platform
- Incentive for playing: curiosity, role-playing games, experiencing height, hiding
- Movement: climbing up and around, observing, sliding

Recommended for

- School children
- Young people
- Public play areas without supervision, such as playgrounds, parks or similar
- Leisure parks

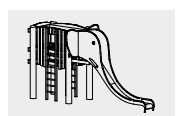


Elephant with Trunk Slide



© Richter Spielgeräte GmbH 06/22

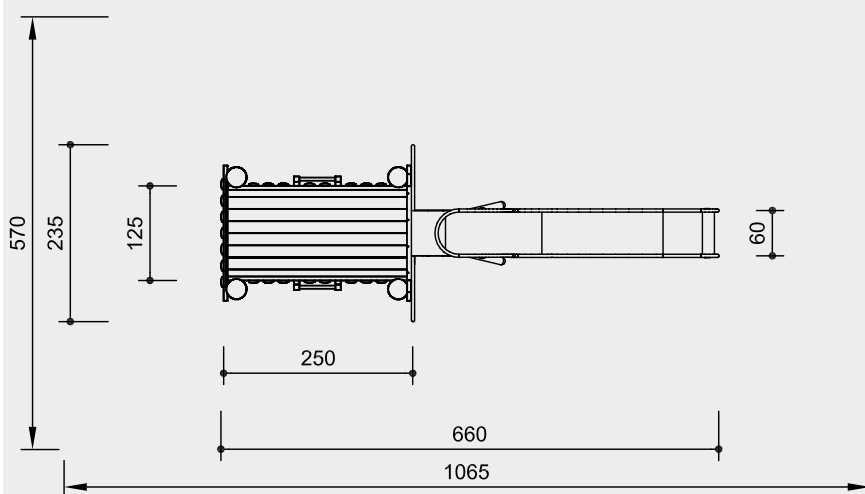
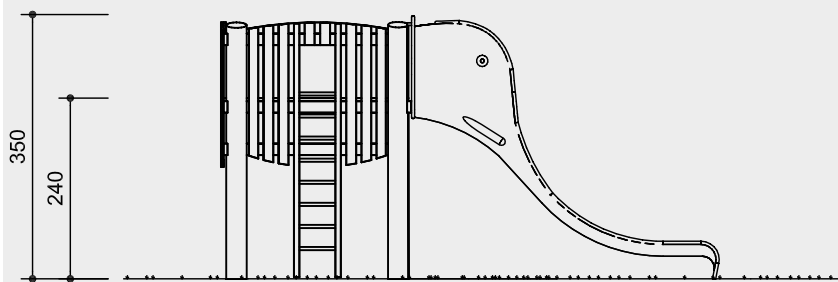
Design G. Beltzig



8.99210

Order No. 8.99210
Elephant with Trunk Slide

Safety distance →
 Device dimensions ●
 Functional distance —



Scale 1:100

Safety check according to DIN EN 1176

Components

- 1 Platform with 2 ladders and 4 steel feet
- 1 Trunk slide

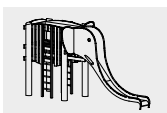
Installation information

Surfacing requirements corresponding to a fall height of ≤ 3.00 m (please refer to price list for more detailed information)

Foundations

- Elephant**
- 4 items 80 x 80 x 60 cm
- Excavation depth 80 cm
- Trunk Slide**
- 1 item 90 x 30 x 30 cm
- Excavation depth 70 cm

Attention:
Exact measurements may vary;
for all installation dimensions refer to current assembly instructions.
 Technical changes reserved.



8.99210

Technical information

Equipment made of non-impregnated mountain larch

Peeled white

Palisades peeled white means that bark, cambium and sapwood are removed, the natural shape of the trunk is preserved and can be experienced



Bevel cut

Vertical stand posts with bevelled end grain section as constructive wood preservation measure



Core-free

Sawn-timbers core-free, thus decreasing occurrences of cracking and undesired changes in shape



Claddings

Claddings made of mountain larch (4 – 5 cm). Peeled white by hand, natural tree surface remains tangible and perceptible



Tongue and groove

Tongue and groove planks made of 4 cm solid wood, highly resilient, no trickling of dust / sand, protection against direct rain



Hardwood rungs

Climbing rungs made of hardwood (ash) Ø 4.2 cm, milled and mortised, secured against twisting, easy to grip and not cold for children to touch



Ground anchor

All parts used for anchoring to the ground are made of hot-dip galvanised steel or stainless steel



For more detailed explanation of the quality characteristics see price list.

Trunk slide made of stainless steel, side of the slide glass bead blasted

Dimensions

(small deviations possible)

Height	3.50 m
Height of platform	2.40 m
Floor size	2.50 x 1.25 m
Length	6.60 m
Width	2.35 m