

**Play value**

Our Comes Around is an aesthetically convincing as well as comfortable sitting area. The two staggered halfshell-shaped niches each have a bench and invite the children to retreat or take a short breather before resuming play. There's also room for role-playing games, and older children use the Comes Around to hang out and keep watch.



Order No. 7.83001 Comes Around 01, double version



Order No. 7.83001 Comes Around 01 and Order No. 7.83002 Comes Around 02

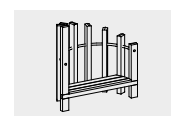
**Fundamental characteristics**

- Child-friendly dimensions according to ergonomic findings
- Natural wooden surfaces which appeal to the senses
- Incentive for playing: rest, retreat, observe, and role-playing games thanks to two partitioned rooms
- Movement: balancing, jumping off

**Recommended for**

- School children
- Young people
- Supervised play areas, such as kindergartens, schools, after-school programmes or similar
- Public play areas without supervision, such as playgrounds, parks or similar
- Private play areas without supervision, such as campsites or similar

**Comes Around**



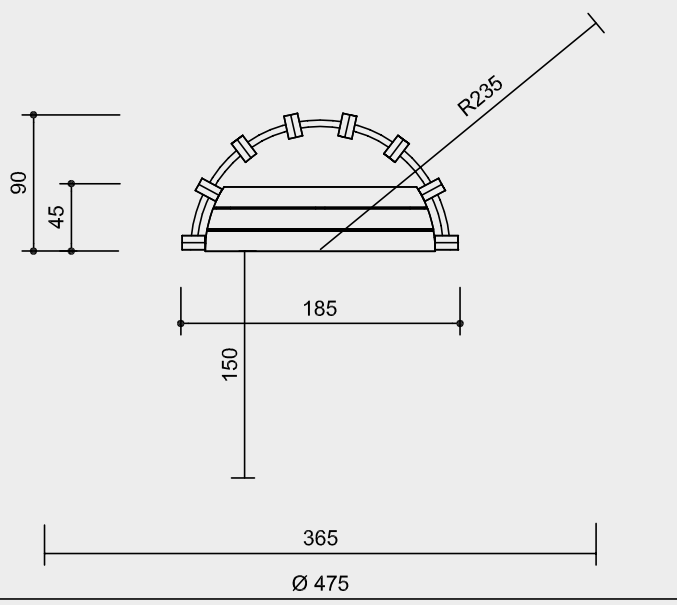
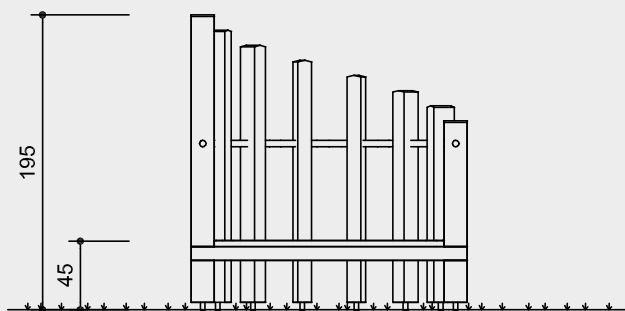
7.83001



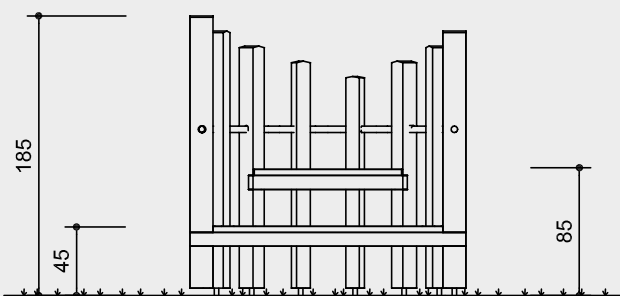
7.83002

**Order No. 7.83001**  
**Comes Around 01**

Safety distance   
Device dimensions   
Functional distance 



**Order No. 7.83002**  
**Comes Around 02**



Scale 1:50

Safety check according to DIN EN 1176

**Technical information**

Equipment made of non-impregnated mountain larch

**Bevel cut**

Vertical stand posts with bevelled end grain section as constructive wood preservation measure



**Core-free**

Sawn-timbers core-free, thus decreasing occurrences of cracking and undesired changes in shape



**Ground anchor**

All parts used for anchoring to the ground are made of hot-dip galvanised steel or stainless steel



**For more detailed explanation of the quality characteristics see price list.**

Stainless steel connecting bar

**Dimensions**

(small deviations possible)

**Order No. 7.83001**  
**Comes Around 01**

Height	1.95 m
Length	1.85 m
Width	0.90 m

**Order No. 7.83002**  
**Comes Around 02**

Height	1.85 m
Length	1.85 m
Width	0.90 m

**Components**

1 Part complete

**Installation information**

Surfacing requirements corresponding to a fall height of  $\leq 0.60$  m (please refer to price list for more detailed information)

Foundations  
2 items 40 x 40 x 40 cm  
Excavation depth 60 cm  
1 item 40 x 75 x 40 cm  
Excavation depth 60 cm

**Attention:**

**Exact measurements may vary; for all installation dimensions refer to current assembly instructions.**  
Technical changes reserved.



7.83001



7.83002