



Special version

Play value

The complex Octagonal Tower with its attractive shape is particularly suited to identify a play area. It has a very special appeal and is often the centre-piece of a playground. Adventure games and role playing can develop around it and together with it. Combination equipment such as the standard Climbing Rope, the Net or the Slide increase the incentive for play. Children feel good in gaining height and in observing the world from above from a completely different perspective. This makes them feel they are the „King of the Castle“.

Fundamental characteristics

- Unique and original
- Agreeable design
- Incentive for playing: experience height
- Movement: climbing

Recommended for

- School children
- Young people
- Public play areas without supervision, such as playgrounds, parks or similar
- Swimming pools without supervision, such as outdoor pools, adventure pools or similar



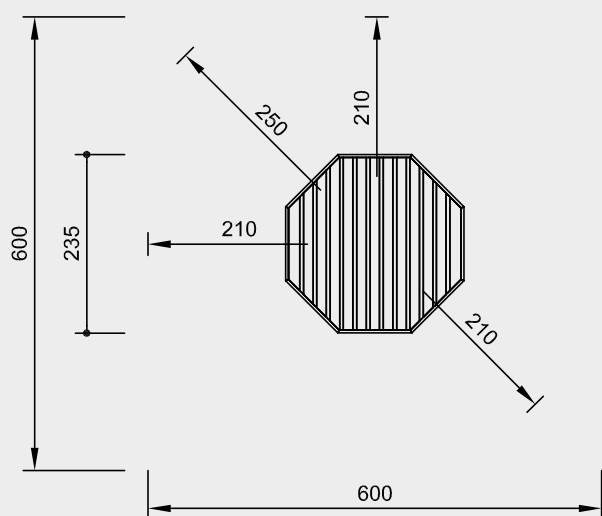
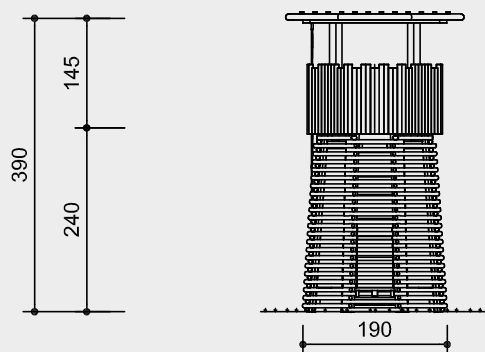
Octagonal Tower with climbing rope



7.79000

Order No. 7.79000
Octagonal Tower with climbing rope

Safety distance →
 Device dimensions ●
 Functional distance —|



Scale 1:100

Safety check according to DIN EN 1176

Components

- 1 Tower with inside ladder ascent and entrance to the basket
- 1 Basket top
- 1 Roof with climbing rope
- 8 Steel feet

Installation information

Surfacing requirements corresponding to a fall height of ≤ 3.00 m (please refer to price list for more detailed information)

Foundations
 7 items 40 x 40 x 50 cm
 Excavation depth 70 cm
 1 item 60 x 40 x 50 cm
 Excavation depth 70 cm

Attention:
Exact measurements may vary;
for all installation dimensions refer
to current assembly instructions.
 Technical changes reserved.

Technical information

Equipment made of non-impregnated mountain larch

Core-free

Sawn-timbers core-free, thus decreasing occurrences of cracking and undesired changes in shape



Hardwood rungs

Climbing rungs made of hardwood (ash) Ø 4.2 cm, milled and mortised, secured against twisting, easy to grip and not cold for children to touch



Richter Hercules type rope

Richter Hercules type rope, a combination of galvanised six-strand steel cables and polyester yarn, diameter > 20 mm, laid and glued with very good abrasion resistance, strong sheathing even in the case of damage by puncturing



Aluminium rope pressing

Aluminium rope pressing, cylindrically pressed, with rounded ends



Rope connection fixed

Fixed rope connection without dangerous openings. Screw connection adjustable and countersunk in the wood



Ground anchor

All parts used for anchoring to the ground are made of hot-dip galvanised steel or stainless steel



For more detailed explanation of the quality characteristics see price list.

Standard colour rope: rainbow

Dimensions

(small deviations possible)

Height	3.90 m
Platform height	2.40 m
Ground surface diameter	1.90 m
Weight	1300 kg



7.79000