

**Play value**

Children like to exercise on all manner of things and particularly enjoy a mobile ground surface on which skill they can be tested. In order to get the rocking plank moving, it is necessary to jump up and down vigorously - the harder the better here.

**Fundamental characteristics**

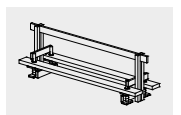
- Incentive for playing: handrail, springs, see-sawing surface
- Movement: jumping, rocking, wobbling

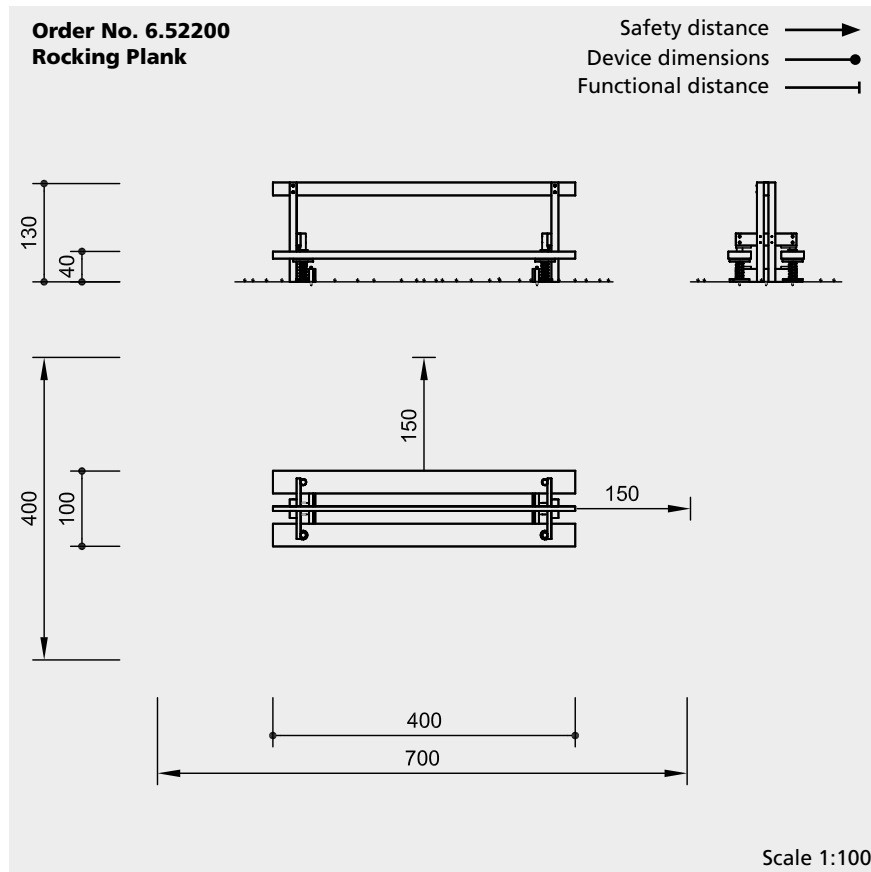
**Recommended for**

- School children
- Young people
- Supervised play areas, such as kindergartens, schools, after-school programmes or similar
- Public play areas without supervision, such as playgrounds, parks or similar



**Rocking Plank**





Safety check according to DIN EN 1176

#### Components

- 2 Support frames with 2 springs each
- 2 Planks
- 1 Handrail
- 4 Foundation irons

#### Installation information

Surfacing requirements corresponding to a fall height of  $\leq 0.60$  m (please refer to price list for more detailed information)

Foundations  
2 items 50 x 120 x 27 cm  
Excavation depth 50 cm

**Attention:**  
**Exact measurements may vary;**  
**for all installation dimensions refer**  
**to current assembly instructions.**  
Technical changes reserved.

#### Technical information

Equipment made of non-impregnated mountain larch

#### Core-free

Sawn-timbers core-free, thus decreasing occurrences of cracking and undesired changes in shape



#### Ground anchor

All parts used for anchoring to the ground are made of hot-dip galvanised steel or stainless steel



**For more detailed explanation of the quality characteristics see price list.**

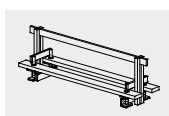
Round timbers of ash,  $\varnothing$  80 mm

Springs powder coated,  
Standard colour red

#### Dimensions

(small deviations possible)

Height	1.30 m
Length	4.00 m
Width	1.00 m
Height of boards	0.40 m
Weight	300 kg



6.52200