



Order No. 6.31000 Hexagonal Rocking Plate

**Play value**

The flat metal plates with the fixed approach ramps and a moving part, for turning and rocking, require no foundations. They are light enough to move with a trailer but heavy enough so that they cannot be moved by vandals. Their stability also allows wheelchair users and people with cycles and mopeds to drive on and over them. The ground plates of metal are a discreet but effective play item for pedestrian areas, schoolyards and playgrounds and stimulate active play.

**Fundamental characteristics**

- Unique and original
- Offer for active play with integrative character
- Also suitable for wheelchair users
- Incentive for playing: surprising element on the ground
- Movement: rocking (side to side)

**Recommended for**

- Kindergarten children
- School children
- Young people
- Supervised play areas, such as kindergartens, schools, after-school programmes or similar
- Public play areas without supervision, such as playgrounds, parks or similar

**Barrier-free**

- Special exercise experience
- With a carer



Order No. 6.30000 Rocking Plate, Photo © Valentin Luthiger

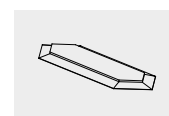


Order No. 6.30000 Rocking Plate, Photo © Valentin Luthiger

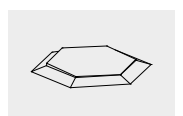
**Note**

An adequate surface design helps to avoid passers-by stepping on the plates unintentionally and thus improves safety.

**Rocking Plate Hexagonal Rocking Plate**

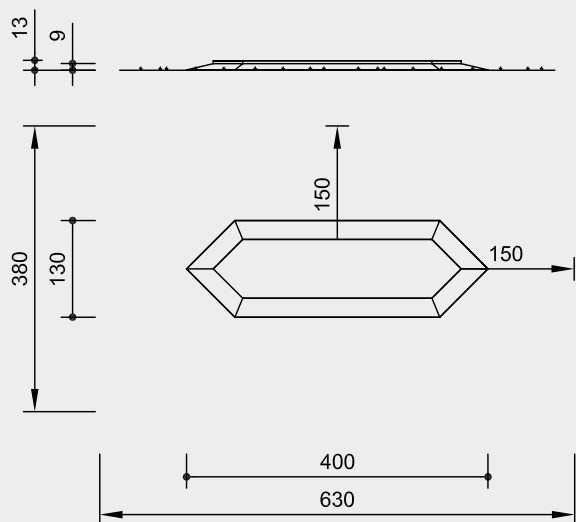


6.30000



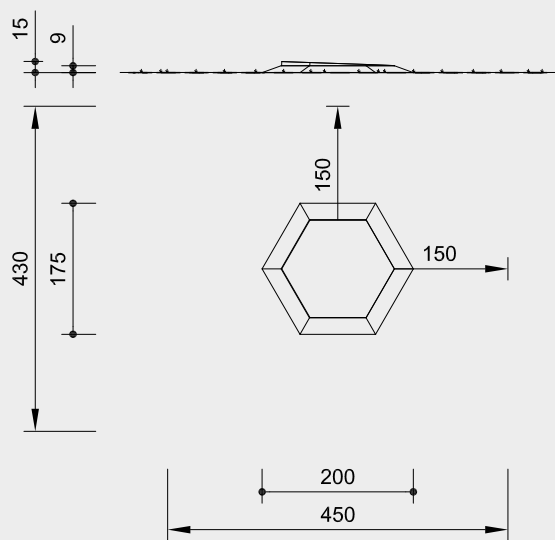
6.31000

**Order No. 6.30000**  
**Rocking Plate**



Safety distance ———→  
Device dimensions ———●  
Functional distance ———|

**Order No. 6.31000**  
**Hexagonal Rocking Plate**



Scale 1:100

Safety check according to DIN EN 1176

**Components**

1 Part each

**Installation information**

Surfacing requirements corresponding to a fall height of  $\leq 0,60$  m (please refer to price list for more detailed information)

Foundations  
no foundations necessary

**Attention:**  
**Exact measurements may vary, for all installation dimensions refer to current installation instructions.**  
Technical changes reserved.

**Technical information**

Steel construction, hot-dip galvanised, padded underneath with vulcanised foam rubber to reduce sound level

**Roller bearings**

High-quality roller bearings made of chrome steel or stainless steel for rotating elements, easy to maintain and exchange, sealed



**For more detailed explanation of the quality characteristics see price list.**

**Dimensions**

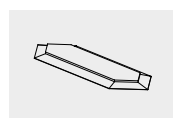
(small deviations possible)

**Order No. 6.30000**  
**Rocking Plate**

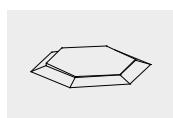
Height	0.09 / 0.13 m
Length	4.00 m
Width	1.30 m
Weight	275 kg

**Order No. 6.31000**  
**Hexagonal Rocking Plate**

Height	0.09 / 0.15 m
Length	2.00 m
Width	1.75 m
Weight	230 kg



6.30000



6.31000