

**Play value**

The Wobble Dish can hold from one to three small children and provides wobbling, swinging enjoyment. When the children shift their weight they can swing to and fro, can whirl in a circle or roll while the dish moves on its central point of support. Thereby, an overlapping effect can occur and things do not always move as they could be expected to. However, that is just what makes it fun, also for smaller children. Coordination of movements and readiness to take risks are experienced through play.



Photo © Angel Rodriguez Ballesteros



Photo © Angel Rodriguez Ballesteros



**Fundamental characteristics**

- The universal joint mounting allows for use also on public playgrounds
- Incentive for playing: sitting into
- Movement: turning around, wobbling about, shifting one's weight

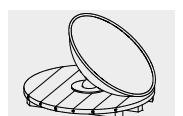
**Recommended for**

- Kindergarten children
- Supervised play areas, such as kindergartens, schools, after-school programmes or similar
- Public play areas without supervision, such as playgrounds, parks or similar

**Planning information**

To prevent the underground parts of the mechanism from being damaged, we advise against installing the equipment in sand.

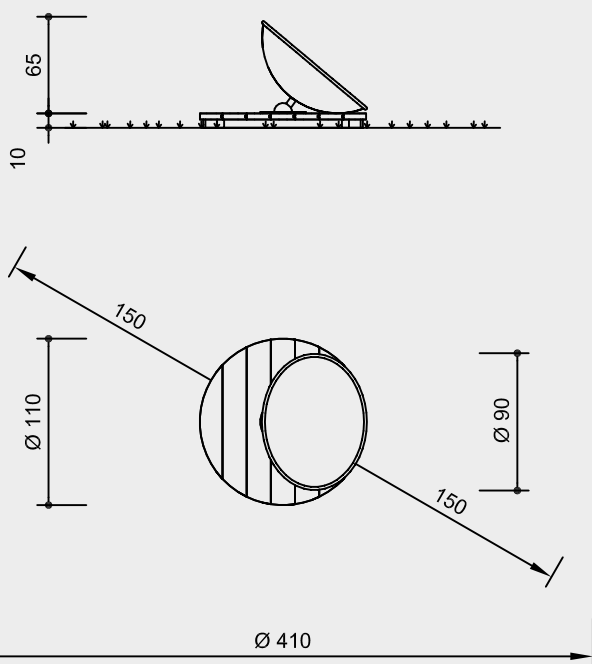
**Wobble Dish**



6.27300

**Order No. 6.27300**  
**Wobble Dish**

Safety distance →  
Device dimensions —●—  
Functional distance —|—



Scale 1:50

Safety check according to DIN EN 1176

**Components**

- 1 Wobble Dish with  
1 pre-fabricated foundation made of reinforced concrete C35/45

**Installation information**

Surfacing requirements corresponding to a fall height of  $\leq 0.60$  m (please refer to price list for more detailed information)

Foundations  
Excavation for pre-fabricated foundation  $\varnothing 1.05 \times 0.07$  m  
For installation in loose material an additional anchorage in in-situ concrete is necessary (on site).

**Attention:**  
**Exact measurements may vary, for all installation dimensions refer to current installation instructions.**  
Technical changes reserved.

**Technical information**

Base made of non-impregnated mountain larch

**Core-free**  
Sawn-timbers core-free, thus decreasing occurrences of cracking and undesired changes in shape



**Tongue and groove**  
Tongue and groove planks made of 4 cm solid wood, highly resilient, no trickling of dust / sand, protection against direct rain



**Roller bearings**  
High-quality roller bearings made of chrome steel or stainless steel for rotating elements, easy to maintain and exchange, sealed



**For more detailed explanation of the quality characteristics see price list.**

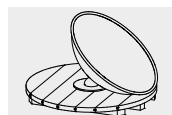
Dish and cover of bearing made of 2 mm thick stainless steel, glass bead blasted, with grip rim

The rotating joint is covered with a rubber ring for finger protection

**Dimensions**

(small deviations possible)

Height	0.75 m
Diameter	1.10 m
Weight	190 kg



**6.27300**