



Photo © Anton Donikov

Play value

During play, children love to imitate movement patterns and work operations belonging to the adult world. Our Excavator with wheelchair access takes into account the special needs of those with restricted mobility yet offers the opportunity to experience shovelling activities. And if water is close by, the Excavator offers an especially intensive playing experience. Ground-level access to the Excavator is possible via a ramp. The side swivelling movement of the Excavator arm is controlled by a hand-wheel, while the shovel is steered using two hand levers installed at the left and right. With a radius of reach of 2.40 m, the Excavator enables access to an extensive play area.

Fundamental characteristics

- Improves body co-ordination
- Incentive for playing: pivoting, turning, shovelling
- Movement: physical effort

Recommended for

- Supervised play areas, such as schools, after-school programmes or similar

Barrier-free

- Independent play

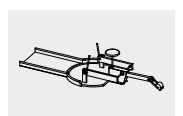


Photo © Anton Donikov

Excavator with wheelchair access

Planning information

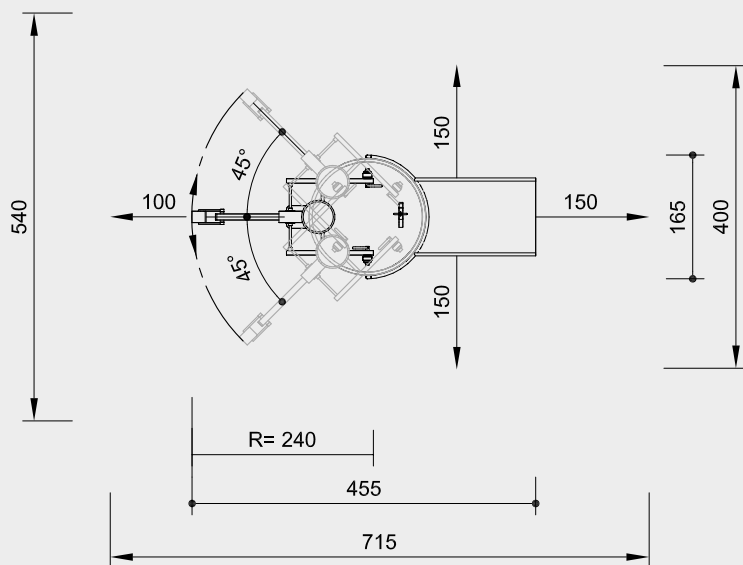
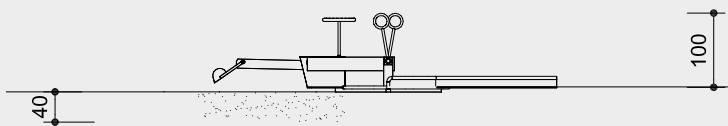
Access to the equipment must be created according to the disability and the basics for barrier-free construction.



5.30100

Order No. 5.30100
Excavator with wheelchair access

Safety distance 
 Device dimensions 
 Functional distance 



Scale 1:100

Safety check according to DIN EN 1176

Components

- 1 Excavator with wheelchair access

Installation information

Surfacing requirements corresponding to a fall height of ≤ 0.60 m (please refer to price list for more detailed information)

Foundations
 1 item 250 x 110 x 40 cm
 Excavation depth 95 cm

Attention:
Exact measurements may vary;
for all installation dimensions refer to current assembly instructions.
 Technical changes reserved.

Technical information

Equipment made of hot-dip galvanised steel profiles

Sintered bush

For all reciprocating movements we use sintered plain bearings which are self-lubricating in use and can easily be exchanged if necessary



Ground anchor

All parts used for anchoring to the ground are made of hot-dip galvanised steel or stainless steel



Roller bearings

High-quality roller bearings made of chrome steel or stainless steel for rotating elements, easy to maintain and exchange, sealed

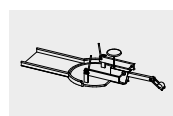


For more detailed explanation of the quality characteristics see price list.

Dimensions

(small deviations possible)

Radius of reach	2.40 m
Swivel range	90°
Weight	760 kg



5.30100