



Order No. 5.28034 Rectangular Flap



Order No. 5.28033 Round Flap

Play value

Children particularly enjoy damming water. Opening the flaps gives them the opportunity to learn about the power of water in a playful way. It is most fun when natural materials such as mud, leaves and small sticks are used to dam the water. However, this is often not possible or desired. Therefore, complementary elements such as locks or flaps are required.

Fundamental characteristics

- Easy handling
- Sturdy construction

Recommended for

- Kindergarten children
- Supervised play areas, such as kindergartens, schools, after-school programmes or similar
- Public play areas without supervision, such as playgrounds, parks or similar

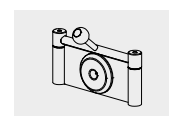


Order No. 5.28034 Rectangular Flap, Photo © Paul Upward

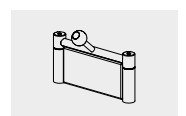
**Round Flap
Rectangular Flap**



Order No. 5.28034 Rectangular Flap



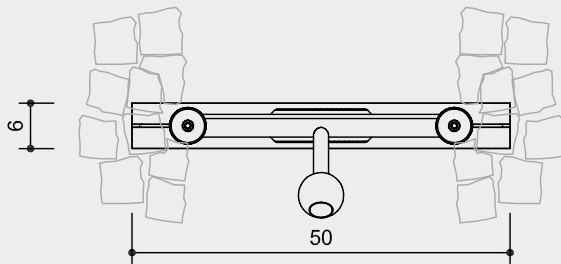
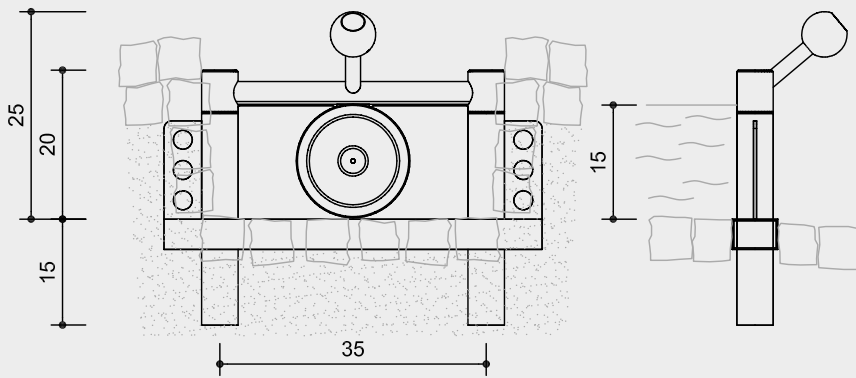
5.28033



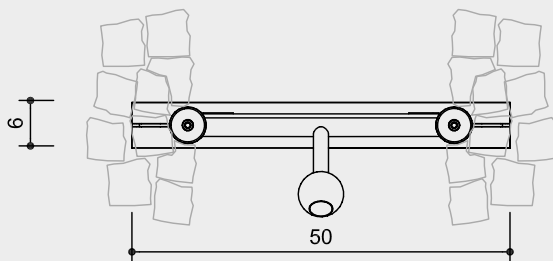
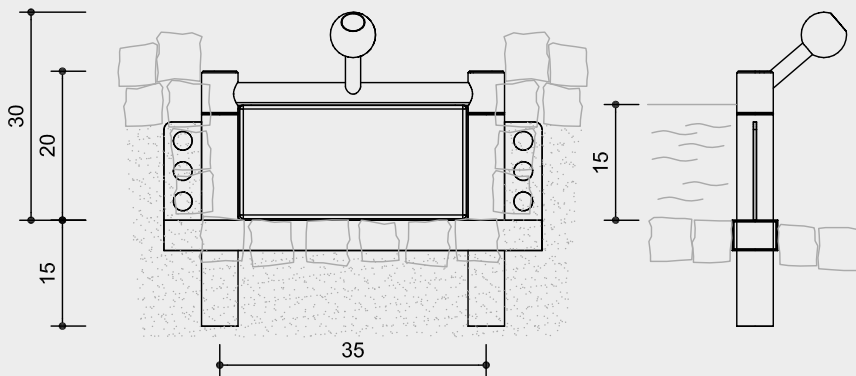
5.28034

Order No. 5.28033
Round Flap

Safety distance →
Device dimensions ●
Functional distance —



Order No. 5.28034
Rectangular Flap



Scale 1:10

Safety check according to DIN EN 1176

Technical information

Rotating frames made of stainless steel, glass-bead blasted

Ground anchor

All parts used for anchoring to the ground are made of hot-dip galvanised steel or stainless steel



Roller bearings

High-quality roller bearings made of chrome steel or stainless steel for rotating elements, easy to maintain and exchange, sealed



For more detailed explanation of the quality characteristics see price list.

Flaps and ball heads made of impact-resistant, coloured-through PUR plastic parts, black

Dimensions

(small deviations possible)

Order No. 5.28033

Round Flap

Height	0.25 m
Width	0.50 m
Damming height	0.15 m
Weight	9 kg

Order No. 5.28034

Rectangular Flap

Height	0.30 m
Width	0.50 m
Damming height	0.15 m
Weight	9 kg

Components

1 Part each
Registered Design
40 2020 202 215.6 Germany

Installation information

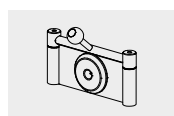
Surfacing requirements
Recommendation: Surface of reinforced watercourse

All equipment can be easily installed into any artificial watercourse.

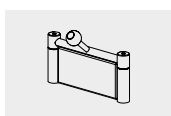
Foundations
According to installation situation.

Attention:
Exact measurements may vary;
for all installation dimensions refer to current assembly instructions.
Technical changes reserved.

For use in aggressive environments such as salt or chlorine water, the equipment is also available in marine grade steel (V4A).



5.28033



5.28034