

**Play value**

Our Water Combination „Small Fish“ offers very special fun for big and small children. Installed in sand and equipped with a staircase, platform, a mushroom spring, water channels and a bucket wheel, it gives free reign to childhood fantasy in different role-playing games. Moreover the senses are stimulated and creativity is promoted by the elements water and sand. The two colourfully painted fish on the outer side of the platform also provide small playgrounds with an appealing and inviting appearance.



**Water Combination "Small Fish"**

**Fundamental characteristics**

- Child-oriented dimensions according to ergonomic requirements
- The space-defining design and the natural surface appeal to the senses
- High-quality design
- Combination for role-playing games, „work“ play and activity
- Exercise activity: climbing up and around, pumping, jumping

**Recommended for**

- School children
- Supervised play areas, such as kindergartens, schools, after-school programmes or similar
- Public play areas without supervision, such as playgrounds, parks or similar“

**Planning information**

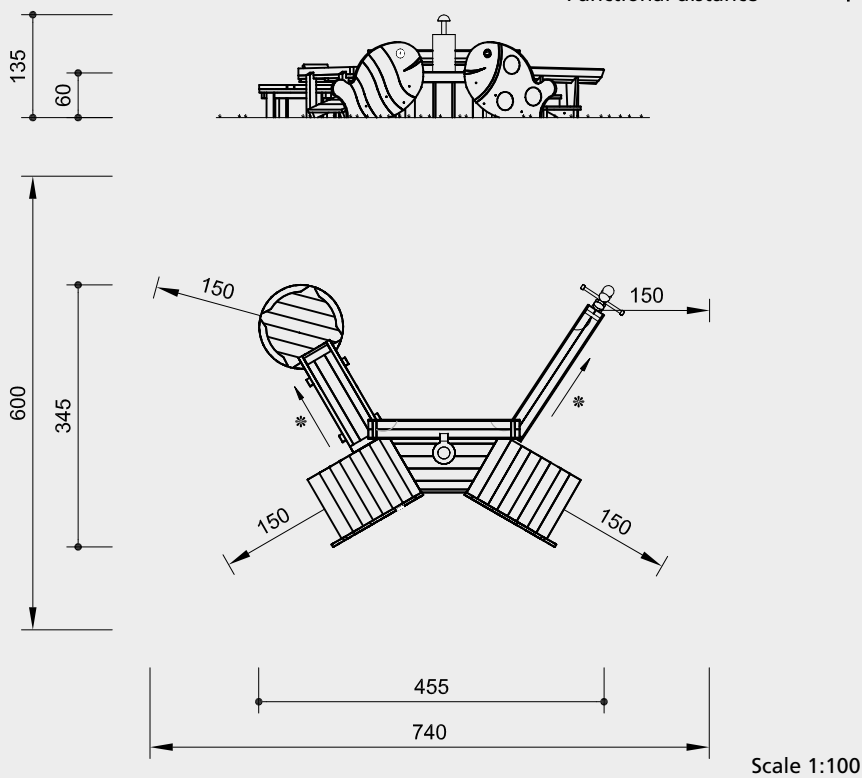
Equipment marked with a pointing arrow \* must be installed with a gradient of approx. 2% (= 2 cm on 1 m). This means that for planning, not only the height of the equipment but also the gradient must be taken into consideration.

Individual solutions for the water supply must be devised, depending on the plans. Up-to-date details on the connection for the water supply and other technical information is available to download as a table at our website [www.richter-spielgeraete.de](http://www.richter-spielgeraete.de).



**Order No. 5.10010**  
**Water Combination "Small Fish"**

Safety distance →  
 Device dimensions ●  
 Functional distance —



Scale 1:100

Safety check according to DIN EN 1176

**Components**

- 1 Staircase
- 1 Ramp  
each with fish-shaped side panel
- 1 Pedestal
- 1 Mushroom spring for „Small Fish“  
with Winter lid
- 1 Small bucket wheel,  
**Order No. 5.15910**
- 2 Triangular Channel with steel feet
- 1 Channel with steel feet and Shutter
- 1 Round mud table with steel feet

**Installation information**

Surfacing requirements  
**Platform**  
 corresponding to a fall height of ≤ 0.60 m  
 (please refer to price list for more  
 detailed information)  
**Water mud equipment**  
 No fall height according to standard;  
 staircase-like constructions may require  
 an examination of the fall height.  
 Recommendation: sand with drainage or  
 pavement with gully and corresponding  
 landscaping. Take into account that sand  
 is required for „playing in the mud“.

- Foundations
- Fish**  
6 items 30 x 30 x 30 cm  
Excavation depth 50 cm
  - Triangular Channel**  
2 items 50 x 50 x 50 cm  
Excavation depth 70 cm
  - Horizontal Channel**  
2 items 50 x 50 x 40 cm  
Excavation depth 60 cm
  - Channel with Shutter**  
2 items 50 x 90 x 50 cm  
Excavation depth 70 cm
  - Mud Table**  
2 items 50 x 100 x 50 cm  
Excavation depth 70 cm
  - Small Bucket Wheel**  
1 item 50 x 90 x 30 cm  
Excavation depth 70 cm

**Attention:**  
**Exact measurements may vary; for**  
**all installation dimensions refer to**  
**current assembly instructions.**  
 Technical changes reserved.

**Technical information**

Equipment made of non-impregnated  
 mountain larch

**Core-free**  
 Sawn-timbers core-free, thus decreasing  
 occurrences of cracking and undesired  
 changes in shape



**Tongue and groove**  
 Tongue and groove planks made of  
 4 cm solid wood, highly resilient, no  
 trickling of dust / sand, protection  
 against direct rain



**Plywood**  
 Plywood made of mountain larch,  
 three-layer (3 cm) or five-layer (4 cm).  
 High dimensional stability,  
 waterproof, glued according to  
 DIN EN 13353:2011



**Ground anchor**  
 All parts used for anchoring to the  
 ground are made of hot-dip galvanised  
 steel or stainless steel



**Roller bearings**  
 High-quality roller bearings made  
 of chrome steel or stainless steel for  
 rotating elements, easy to maintain and  
 exchange, sealed



**For more detailed explanation of the  
 quality characteristics see price list.**

**Colour**  
 Solvent-free acrylic paints are used for  
 colouring; the wood is painted in a way  
 which allows the structure of the wood  
 to remain clearly visible

**For a description of the mushroom  
 spring and small bucket wheel, ple-  
 ase refer to the separate catalogue  
 pages.**

**Dimensions**  
 (small deviations possible)

Height	1.35 m
Platform height	0.60 m
Length	4.55 m
Width	3.45 m
Weight	600 kg

