



Photo © Daniel Perales

Play value

The abstracted shape of the sheep is no problem for children. At once, they recognize them as standing and resting sheep by their posture, the expression of their faces and the characteristic look of their ears. The sheep become part of role play, are used for riding or as alternative seats. When they are installed in a group, the play area gets a friendly warm atmosphere.

Fundamental characteristics

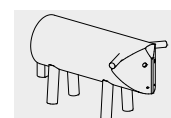
- Appealing, child-orientated design
- Tactile experience of wood
- Abstracted design
- Incentive for playing: friendly appearance, ears

Recommended for

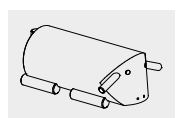
- Children under 3 years
- Kindergarten children
- Supervised play areas, such as kindergartens, schools, after-school programmes or similar
- Public play areas without supervision, such as playgrounds, parks or similar



Sheep, standing
Sheep, resting

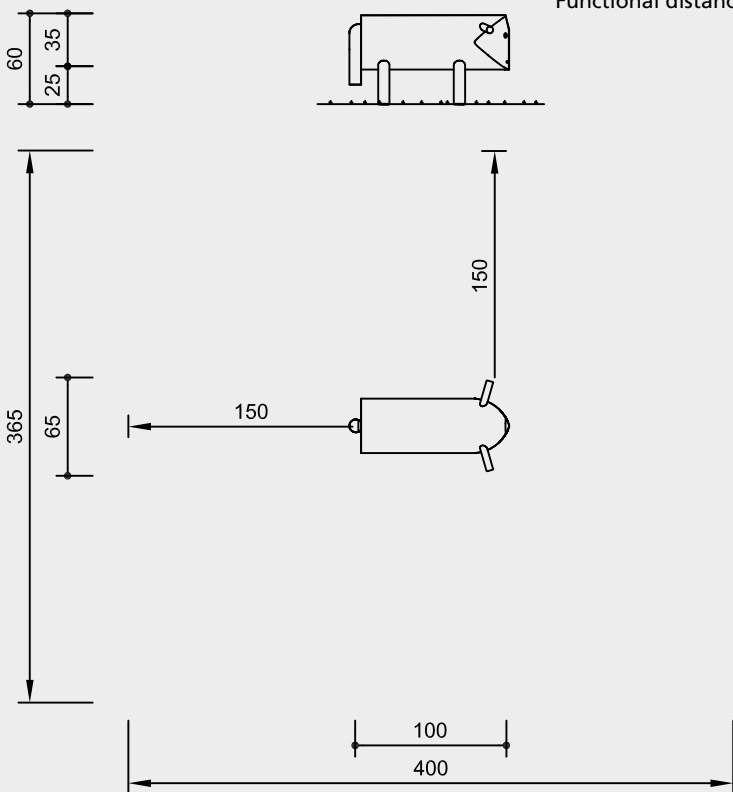


4.24195

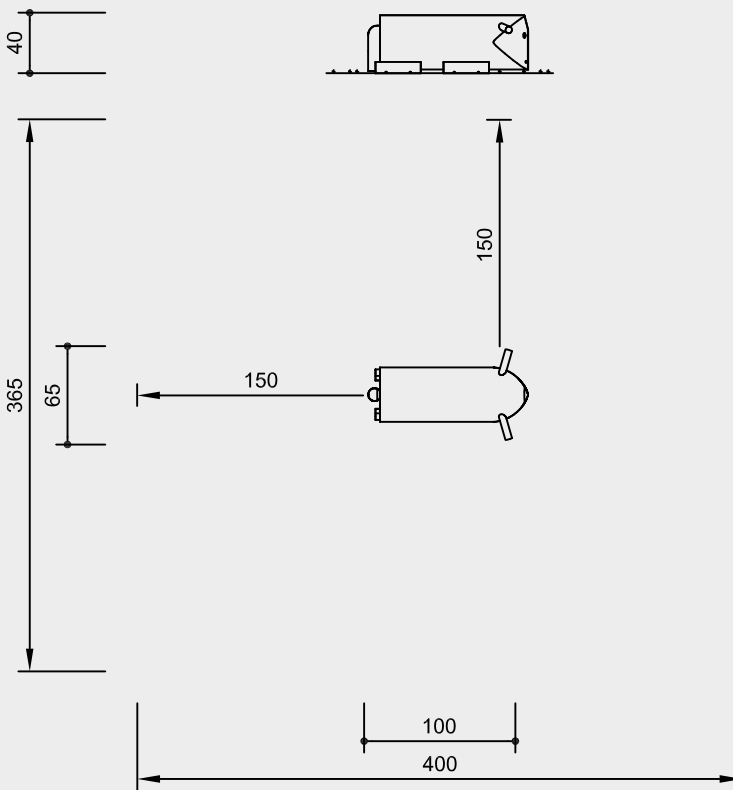


4.24196

Order No. 4.24195
Sheep, standing

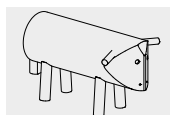


Order No. 4.24196
Sheep, resting

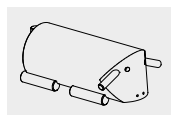


Scale 1:50

Safety check according to DIN EN 1176



4.24195



4.24196

Technical information

Equipment made of non-impregnated mountain larch

Peeled white

Palisades peeled white means that bark, cambium and sapwood are removed, the natural shape of the trunk is preserved and can be experienced



Ground anchor

All parts used for anchoring to the ground are made of hot-dip galvanised steel or stainless steel



Relief cut

Targeted relief cut as an effective measure against cracks caused by drying. The cut defines the position of the stress equalization in the trunk and minimises natural cracking



For more detailed explanation of the quality characteristics see price list.

Dimensions

(small deviations possible)

Order No. 4.24195
Sheep, standing

Height	0.60 m
Length	1.00 m
Width	0.65 m
Weight	80 kg

Order No. 4.24196
Sheep, resting

Height	0.40 m
Length	1.00 m
Width	0.65 m
Weight	75 kg

Components

Order No. 4.24195

- 1 Sheep, standing
- 4 Foundation irons

Order No. 4.24196

- 1 Sheep, resting
- 2 Foundation irons

Installation information

Surfacing requirements corresponding to a fall height of ≤ 0.60 m (please refer to price list for more detailed information)

Foundations (only necessary to immobilise the equipment)

Order No. 4.24195

Sheep, standing
2 items 50 x 30 x 15 cm
Excavation depth 35 cm

Order No. 4.24195

Sheep, standing
2 items 30 x 30 x 30 cm
Excavation depth 50 cm

Attention:

Exact measurements may vary; for all installation dimensions refer to current assembly instructions.

Technical changes reserved.