



Special version, roof with boards

Play value

Even as basic equipment, the Platform House has Platform, House, Slide and Inclined Climbing Net as well as basic furnishings like a table and benches and is a versatile, independent small playground. It provides incentives for role-playing games and numerous exercise activities.

Fundamental characteristics

- Child-oriented dimensions according to ergonomic requirements
- Natural wooden surface which appeals to the senses
- Constructional advantage: strong planking of the platform creates large, „support-free“ play space underneath the platform
- Compact playground with a small footprint, suitable when space is at stake
- Combination for role-playing games, „work“ play and activity
- Movement: climbing, sliding, crawling, crouching, using physical strength

Recommended for

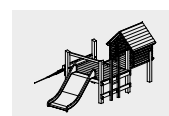
- Kindergarten children
- School children
- Supervised play areas, such as kindergartens, schools, after-school programmes or similar
- Public play areas without supervision, such as playgrounds, parks or similar



Photos © Paul Upward



Platform House 4904
Platform House 4906



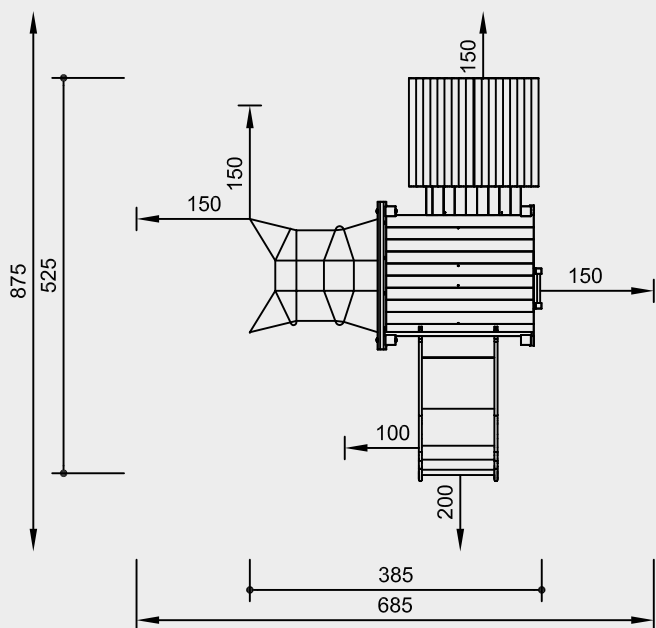
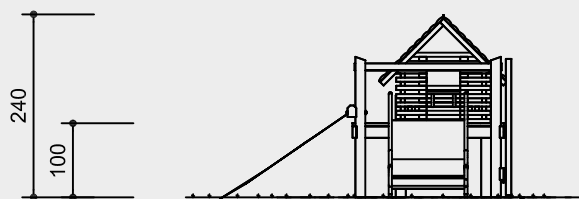
4.14904



4.14906

Order No. 4.14904
Platform House 4904

Safety distance 
Device dimensions 
Functional distance 



Scale 1:100

Safety check according to DIN EN 1176

Components

- 1 Platform 1.60 x 2.00 m with steel feet
- 1 Platform house with steel feet
floor dimensions 1.25 x 1.80 m
- 1 Ladder
- 1 Inclined climbing net,
Order No. 3.69140
- 1 Stainless steel slide with ground anchor,
Order No 3.63300

Installation information

Surfacing requirements corresponding to a fall height of ≤ 1.00 m (please refer to price list for more detailed information)

- Foundations**
- Platform House**
6 items 60 x 60 x 60 cm
Excavation depth 80 cm
 - Inclined Climbing Net**
2 items 50 x 50 x 40 cm
Excavation depth 80 cm

Slide
Excavation depth for ground anchor 55 cm

Attention:
Exact measurements may vary;
for all installation dimensions refer
to current assembly instructions.
Technical changes reserved.



4.14904



4.14906

Technical information

Equipment made of non-impregnated mountain larch

Bevel cut

Vertical stand posts with bevelled end grain section as constructive wood preservation measure



Core-free

Sawn-timbers core-free, thus decreasing occurrences of cracking and undesired changes in shape



Tongue and groove

Tongue and groove planks made of 4 cm solid wood, highly resilient, no trickling of dust / sand, protection against direct rain



Hardwood rungs

Climbing rungs made of hardwood (ash) \varnothing 4.2 cm, milled and mortised, secured against twisting, easy to grip and not cold for children to touch



Richter Hercules type rope

Richter Hercules type rope, a combination of galvanised six-strand steel cables and polyester yarn, diameter > 20 mm, laid and glued with very good abrasion resistance, strong sheathing even in the case of damage by puncturing



Aluminium rope pressing

Aluminium rope pressing, cylindrically pressed, with rounded ends



S-connectors

S-connectors \varnothing 8.1 mm, made of high-quality stainless steel, rounded



Ground anchor

All parts used for anchoring to the ground are made of hot-dip galvanised steel or stainless steel



For more detailed explanation of the quality characteristics see price list.

House floor made of 25 mm tongue and groove boards

Total construction of the slide made of stainless steel, thickness of the sides 2 mm, thickness of sliding surface 2.5 mm

Order No 4.14904

Without handrails all round

Order No 4.14906

Handrails all round

Abmessungen

(geringe Abweichungen möglich)

Height	2.40 m
Length	3.85 m
Width	5.25 m
Platform height	1.00 m
Platform length	2.00 m
Weight	650 kg