

**Play value**

Our little Sand Play Ship is both a sand box and a sailing ship. Big and small can slip into the role of pirates, sailors and captains and, at the same time, play, build sandcastles and play at baking in the sand in the hull. Not only can the sail be used as a sunshade, it also serves as a cover for the sand box. Even in the snow our little ship is fun.



Order No. 4.07601 Sand Play Ship with Sails

**Fundamental characteristics**

- Child-oriented dimensions
- Natural wooden surface which appeals to the senses
- Emotionally appealing design
- Friendly appearance
- Sunshade
- Incentive for playing: Role-playing games

**Recommended for**

- Children under 3 years
- Kindergarten children
- Supervised play areas, such as kindergartens, schools, after-school Programmes or similar
- Public play areas without supervision, such as playgrounds, parks or similar

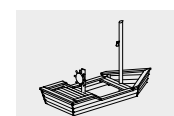
**Attention:**

Sand Play Ship with Sails only suitable for supervised areas!

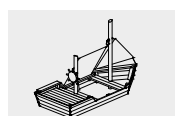
**Barrier-free**

- With a carer
- Independent play

**Sand Play Ship  
Sand Play Ship with Sails**



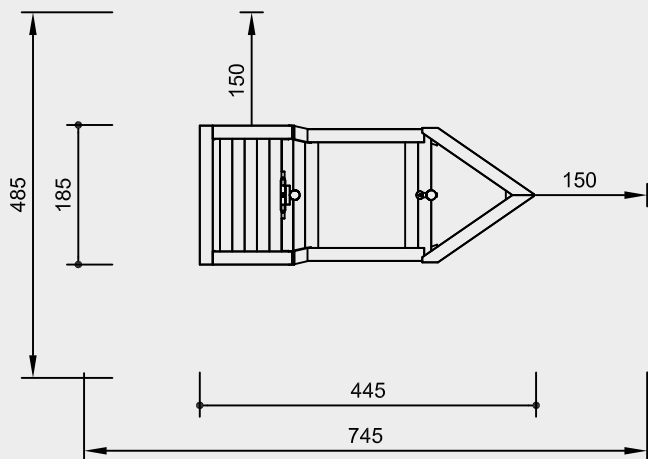
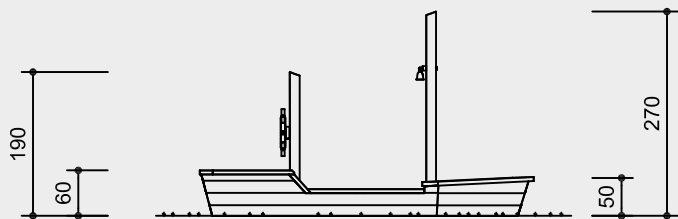
4.07501



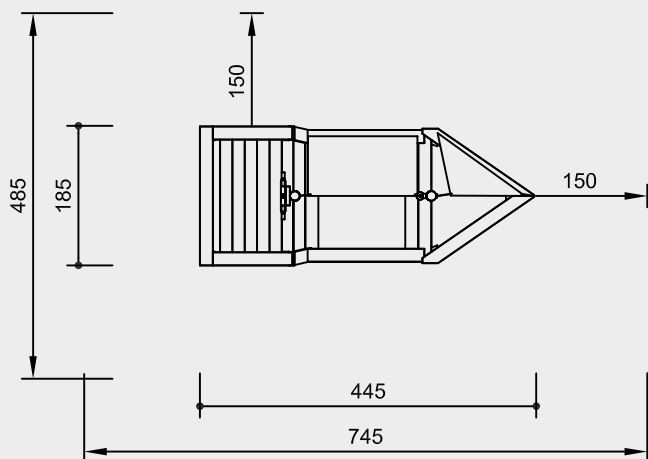
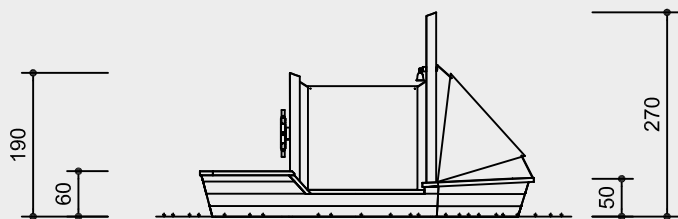
4.07601

**Order No. 4.07501**  
**Sand Play Ship**

Safety distance →  
Device dimensions ●  
Functional distance —



**Order No. 4.07601**  
**Sand Play Ship with Sails**



Scale 1:100

Safety check according to DIN EN 1176

**Attention:**  
**Exact measurements may vary;**  
**for all installation dimensions refer**  
**to current assembly instructions.**  
Technical changes reserved.



4.07501



4.07601

**Technical information**

Equipment made of non-impregnated mountain larch

**Peeled white**

Palisades peeled white means that bark, cambium and sapwood are removed, the natural shape of the trunk is preserved and can be experienced



**Bevel cut**

Vertical stand posts with bevelled end grain section as constructive wood preservation measure



**Core-free**

Sawn-timbers core-free, thus decreasing occurrences of cracking and undesired changes in shape



**Ground anchor**

All parts used for anchoring to the ground are made of hot-dip galvanised steel or stainless steel



**Chains**

Chains made of hot-dip galvanized steel (1.4301 / 1.4571 at extra charge) welded before galvanising, short-linked, without eyelets on the connecting parts, easy to exchange and shorten



**For more detailed explanation of the quality characteristics see price list.**

Fittings hot-dip galvanised  
Bell made of brass

**Order No. 4.07601**  
**Sand Play Ship with Sails**

Sail made of weatherproof plastic fabric (PVC)

**Dimensions**

(small deviations possible)

Height	2.70 m
Seat height	0.60 m
Length	4.45 m
Width	1.85 m
Weight	600 kg

**Components**

**Order No. 4.07501**  
**Sand Play Ship**

- 1 Ship's hull
- 2 Masts
- 1 Steering wheel
- 3 Shovels with chain
- 1 Bell
- 4 Anchor irons

**Order No. 4.07601**  
**Sand Play Ship with Sails**

As before but in addition with 2 sails

**Installation information**

Surfacing requirements corresponding to a fall height of  $\leq 0.60$  m (please refer to price list for more detailed information)  
Sand is required for correct functioning.

**Foundations**

- 1 item 60 x 60 x 40 cm
- Excavation depth 80 cm
- 4 items 40 x 40 x 30 cm
- Excavation depth 50 cm