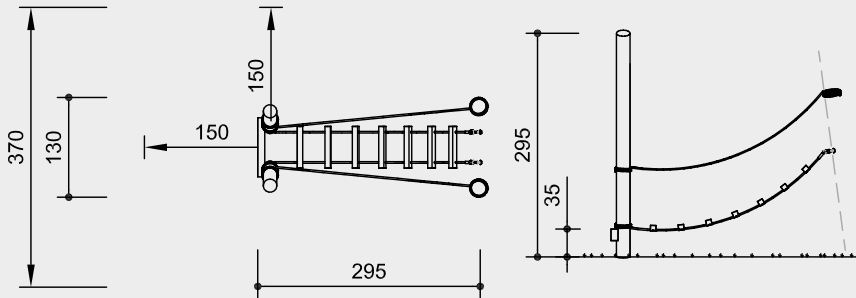
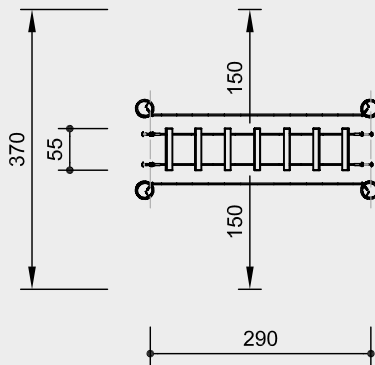
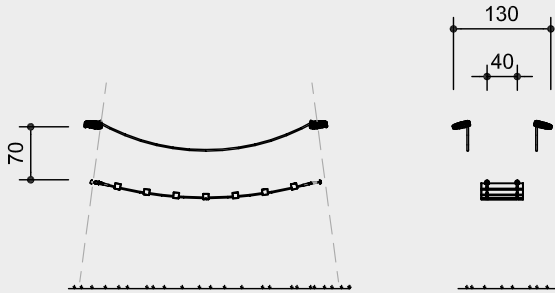


**Order No. 3.69823**  
**End Frame incl. Rope Ascent**  
**with Walking Timbers**

Safety distance ———→  
 Device dimensions ———●  
 Functional distance ———|



**Order No. 3.69825**  
**Rope Crossing with Walking Timbers**  
 Length 3.00 m



Scale 1:100

Safety check according to DIN EN 1176

**Components**

- Order No. 3.69823**  
 1 End frame with steel feet  
 1 Ladder with walkway  
 2 Handrails

- Order No. 3.69825**  
 1 Crossing with walkway  
 2 Handrails  
 2 Distance battens

**Dimensions**  
 (small deviations possible)

<b>Order No. 3.69823</b>	
Height	2.95 m
Length	2.95 m
Width	1.30 m
Weight	150 kg

<b>Order No. 3.69825</b>	
Length	2.90 m
Width	0.55 m
Weight	15 kg

**Installation information**

Surfacing requirements corresponding to a fall height of ≤ 1.50 m (please refer to price list for more detailed information)

Foundations  
**Order No. 3.69823**  
 1 item 100 x 100 x 60 cm  
 Excavation depth 80 cm

**Attention:**  
**Exact measurements may vary;**  
**for all installation dimensions refer**  
**to current assembly instructions.**  
 Technical changes reserved.

**Technical information**

**Order No. 3.69823**

**Peeled white**

Palisades peeled white means that bark, cambium and sapwood are removed, the natural shape of the trunk is preserved and can be experienced



**Bevel cut**

Vertical stand posts with bevelled end grain section as constructive wood preservation measure



**Core-free**

Sawn-timbers core-free, thus decreasing occurrences of cracking and undesired changes in shape



**Richter Hercules type rope**

Richter Hercules type rope, a combination of galvanised six-strand steel cables and polyester yarn, diameter > 20 mm, laid and glued with very good abrasion resistance, strong sheathing even in the case of damage by puncturing



**Aluminium rope pressing**

Aluminium rope pressing, cylindrically pressed, with rounded ends



**Rope connection with joint**

Close-fitting connection with joint, without dangerous openings, with sintered bush and adjustable screw connection



**Ground anchor**

All parts used for anchoring to the ground are made of hot-dip galvanised steel or stainless steel



Standard colour rope: natural

**Order No. 3.69825**

**Core-free**

Sawn-timbers core-free, thus decreasing occurrences of cracking and undesired changes in shape



**Richter Hercules type rope**

Richter Hercules type rope, a combination of galvanised six-strand steel cables and polyester yarn, diameter > 20 mm, laid and glued with very good abrasion resistance, strong sheathing even in the case of damage by puncturing



**Aluminium rope pressing**

Aluminium rope pressing, cylindrically pressed, with rounded ends



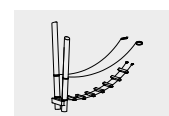
**Rope connection with joint**

Close-fitting connection with joint, without dangerous openings, with sintered bush and adjustable screw connection



**For more detailed explanation of the quality characteristics see price list.**

Standard colour rope: natural


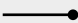



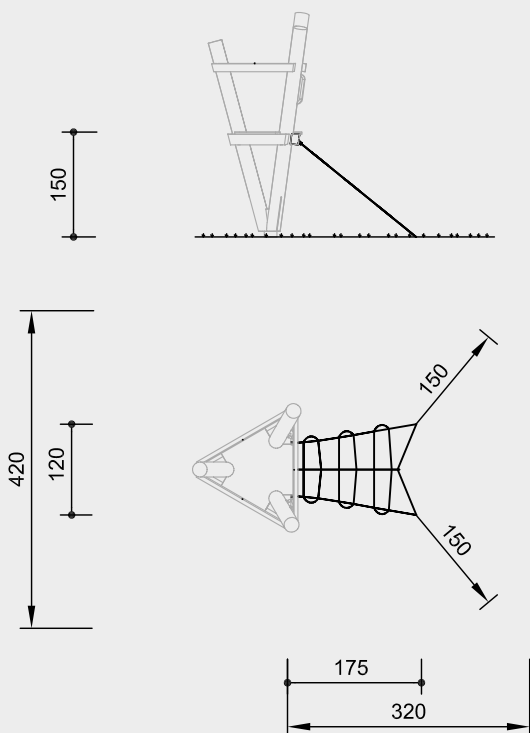
3.69823



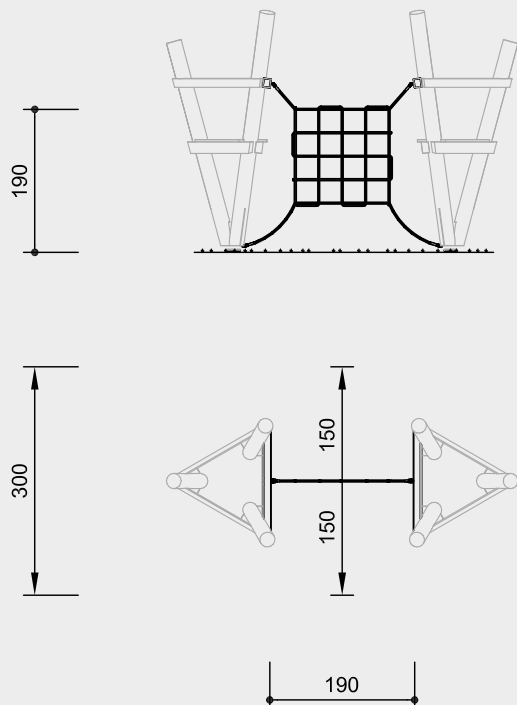
3.69825

**Order No. 3.69840**  
**Inclined Climbing Net**

Safety distance   
Device dimensions   
Functional distance 



**Order No. 3.69850**  
**Vertical Climbing Net**



**Technical information**

**Richter Hercules type rope**

Richter Hercules type rope, a combination of galvanised six-strand steel cables and polyester yarn, diameter > 20 mm, laid and glued with very good abrasion resistance, strong sheathing even in the case of damage by puncturing



**Aluminium rope pressing**

Aluminium rope pressing, cylindrically pressed, with rounded ends



**S-connectors**

S-connectors Ø 8.1 mm, made of high-quality stainless steel, rounded



**Chains**

Chains made of hot-dip galvanized steel (1.4301 / 1.4571 at extra charge) welded before galvanising, short-linked, without eyelets on the connecting parts, easy to exchange and shorten



**For more detailed explanation of the quality characteristics see price list.**

Standard colour rope: natural

**Dimensions**

(small deviations possible)

**Order No. 3.69840**

Length	1.75 m
Width	1.20 m
Installation height	1.50 m
Weight	40 kg

**Order No. 3.69850**

Height	1.90 m
Length	1.90 m
Weight	50 kg

**Components**

**Order No. 3.69840**

1 Inclined climbing net, anchor irons with chains and tensioning devices

**Order No. 3.69850**

1 Vertical climbing net  
1 Distance batten

**Installation information**

Surfacing requirements corresponding to a fall height of ≤ 1.50 m (please refer to price list for price)  
Foundations

**Order No. 3.69840**

2 items 50 x 50 x 40 cm  
Excavation depth 80 cm

**Attention:**

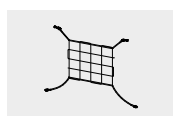
**Exact measurements may vary; for all installation dimensions refer to current assembly instructions.**  
Technical changes reserved.

Scale 1:100

Safety check according to DIN EN 1176



**3.69840**



**3.69850**