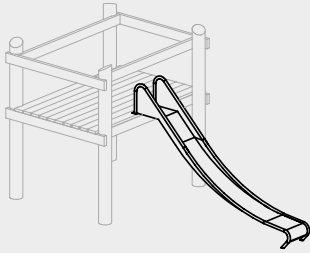



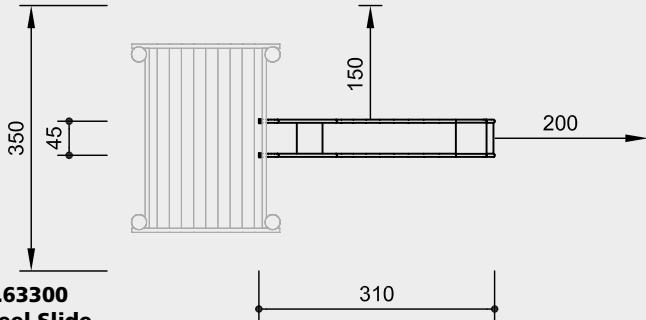


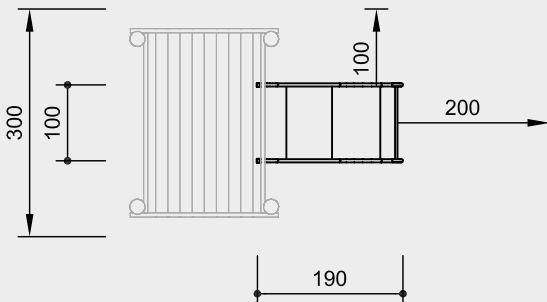
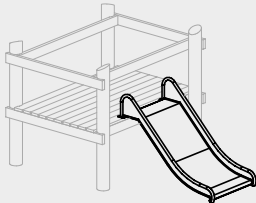
**Order No. 3.63020**  
**Stainless Steel Slide**  
**for attachment to platform 1.50 m**



Safety distance   
 Device dimensions   
 Functional distance 



**Order No. 3.63300**  
**Stainless Steel Slide**  
**for attachment to platform 1.00 m**



Scale 1:100

Safety check according to DIN EN 1176

**Components**

- 1 Slide with ground anchor

**Installation information**

Surfacing requirements corresponding to a fall height determined by installation height otherwise depending on the installation conditions (please refer to price list for more detailed information)

Foundations  
 Excavation depth for ground anchor 55 cm

**Attention:**  
**Exact measurements may vary;**  
**for all installation dimensions refer to current assembly instructions.**  
 Technical changes reserved.

**Technical information**

Slides made of stainless steel, glass bead blasted  
 Handrail tube Ø 42 mm  
 Ground anchor of oak heartwood

**Order No. 3.63020**

**One-piece construction**

Total construction of the slide made of 2 mm stainless steel, drawn in box form, surface glass bead blasted, without welding seam between sliding surface and side cheek



**Ground anchor**

All parts used for anchoring to the ground are made of hot-dip galvanised steel or stainless steel



**For more detailed explanation of the quality characteristics see price list.**

**Order No 3.63300**

Slide walls 2 mm,  
 Thickness of sliding surface 3 mm,

**Dimensions**

(small deviations possible)

**Order No 3.63020**

Sliding width 0.45 m  
 Weight 53 kg

**Order No 3.63300**

Sliding width 1.00 m  
 Weight 65 kg

**Note**

The slides shown on this page are examples from our standard slide range.

**Note on installation**

Avoid orientation of the slide to the south (heating up of material).

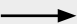




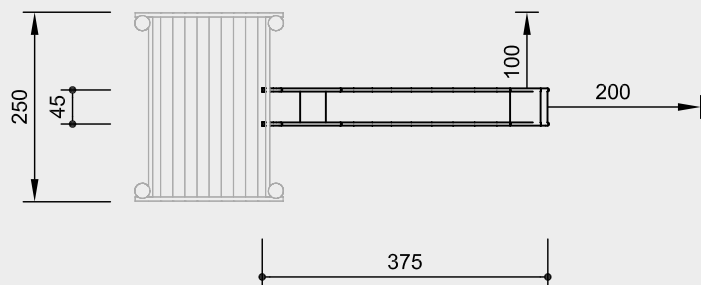
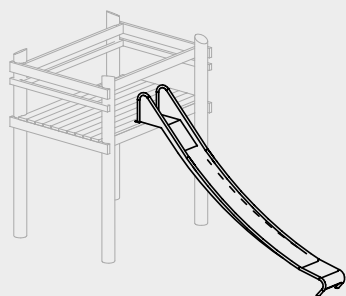
3.63300



3.63020

**Order No. 3.63420**  
**Stainless Steel Slide**  
**for attachment to platform 2.00 m**

Safety distance   
 Device dimensions   
 Functional distance 



Scale 1:100

Safety check according to DIN EN 1176

**Components**

- 1 Slide with ground anchor

**Installation information**

Surfacing requirements corresponding to a fall height determined by installation height otherwise depending on the installation conditions (please refer to price list for more detailed information)

Foundations  
 Excavation depth for ground anchor 55 cm

**Attention:**  
**Exact measurements may vary;**  
**for all installation dimensions refer to current assembly instructions.**  
 Technical changes reserved.

**Technical information**

Slides made of stainless steel, glass bead blasted  
 Handrail tube Ø 42 mm  
 Ground anchor of oak heartwood

**One-piece construction**

Total construction of the slide made of 2 mm stainless steel, drawn in box form, surface glass bead blasted, without welding seam between sliding surface and side cheek



**Ground anchor**

All parts used for anchoring to the ground are made of hot-dip galvanised steel or stainless steel



**For more detailed explanation of the quality characteristics see price list.**

**Dimensions**

(small deviations possible)

Sliding width	0.45 m
Weight	69 kg

**Note**

The slides shown on this page are examples from our standard slide range.

**Note on installation**

Avoid orientation of the slide to the south (heating up of material).



3.63420