


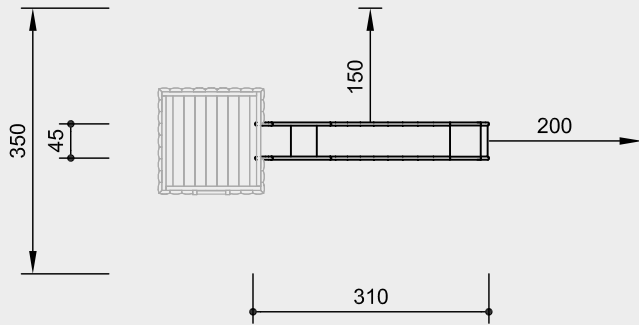
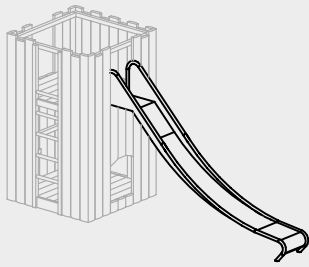


Order No. 3.63020
Stainless Steel Slide
for attachment to Square Tower 1.50 m

Safety distance 
 Device dimensions 
 Functional distance 



Scale 1:100

Safety check according to DIN EN 1176

Technical information

Slide made of stainless steel,
 glass bead blasted
 Handrail tube Ø 42 mm
 Ground anchor made of oak heartwood

One-piece construction

Total construction of the slide made of
 2 mm stainless steel, drawn in box form,
 surface glass bead blasted, without
 welding seam between sliding surface
 and side cheek



**For more detailed explanation of the
 quality characteristics see price list.**

Dimensions

(small deviations possible)

Sliding width	0.45 m
Sliding length	2.85 m
Weight	53 kg

© Richter Spielgeräte GmbH 06/22

Components

- 1 Slide with ground anchor

Installation information

Surfacing requirements
 fall height determined by installation
 height, otherwise depending on the
 installation situation
 (please refer to price list for more
 detailed information)

Foundations
 Excavation depth
 for ground anchor 55 cm

Attention:
Exact measurements may vary;
for all installation dimensions refer
to current assembly instructions.
 Technical changes reserved.


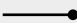

Note
 This Slide shown on this page is an
 example from our standard slide range.

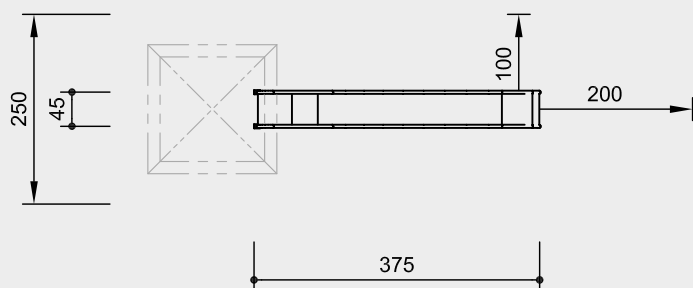
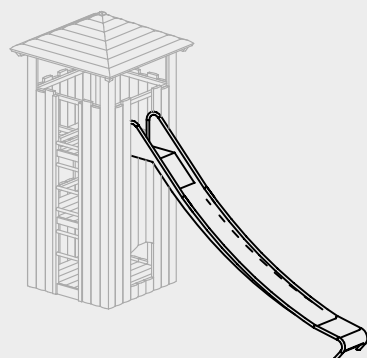
Note on installation
 Avoid orientation of the slide to the
 south (heating up of material).



3.63020

Order No. 3.63420
Stainless Steel Slide
for attachment to Square Tower
with Roof 2.00 m

Safety distance 
 Device dimensions 
 Functional distance 



Scale 1:100

Safety check according to DIN EN 1176

Components

- 1 Slide with ground anchor

Installation information

Surfacing requirements
 fall height determined by installation
 height, otherwise depending on the
 installation situation
 (please refer to price list for more
 detailed information)

Foundations
 Excavation depth
 for ground anchor 55 cm

Attention:
Exact measurements may vary;
for all installation dimensions refer
to current assembly instructions.
 Technical changes reserved.

Note
 This Slide shown on this page is an
 example from our standard slide range.

Note on installation
 Avoid orientation of the slide to the
 south (heating up of material).

Technical information

Slide made of stainless steel,
 glass bead blasted
 Handrail tube Ø 42 mm
 Ground anchor made of oak heartwood

One-piece construction

Total construction of the slide made of
 2 mm stainless steel, drawn in box form,
 surface glass bead blasted, without
 welding seam between sliding surface
 and side cheek



**For more detailed explanation of the
 quality characteristics see price list.**

Dimensions

(small deviations possible)

Sliding width	0.45 m
Sliding length	3.65 m
Weight	69 kg



3.63420