



Play value

The Triangular Podium is an interesting combination element for play centres. Its unusual shape and the inclined support posts contribute to the outstanding appearance.

Fundamental characteristics

- Sturdy wooden construction with natural posts

Recommended for

- School children
- Supervised play areas, such as schools, after-school programmes or similar
- Public play areas without supervision, such as playgrounds, parks or similar

Order No. 3.29700 Middle Triangular Podium, height 1.50 m

Middle Triangular Podium
Small Triangular Podium
Big Triangular Podium



3.29700

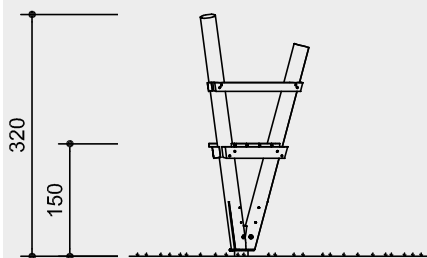


3.29710

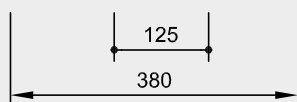
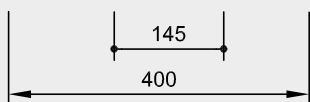
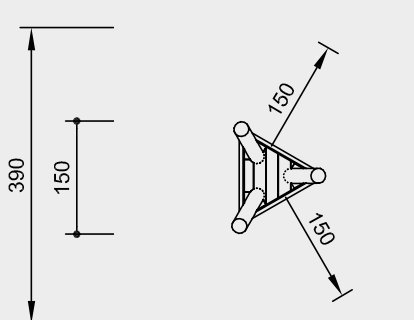
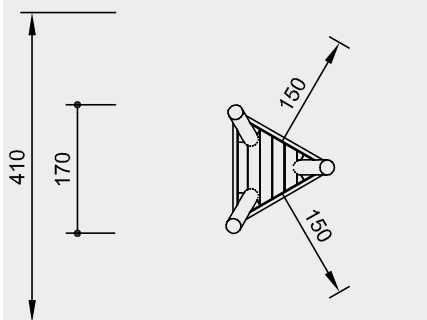
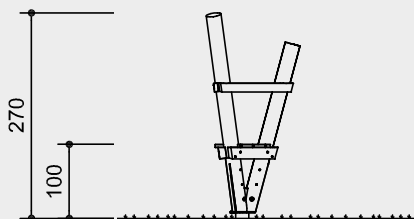


3.29740

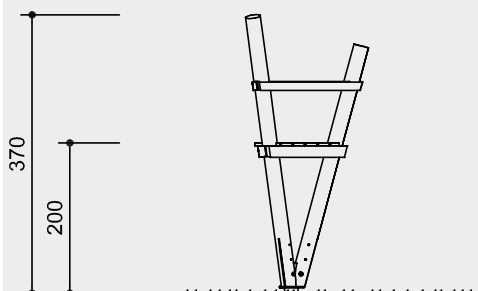
Order No. 3.29700
Middle Triangular Podium



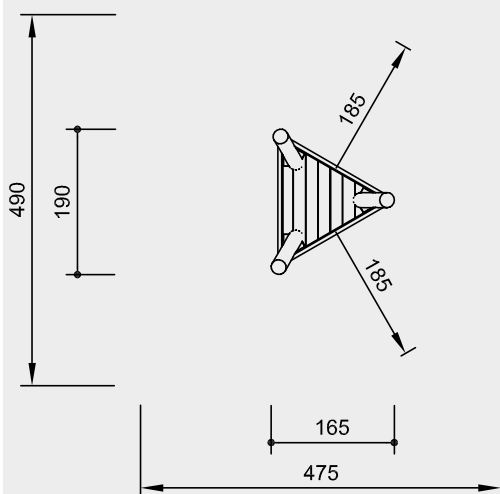
Order No. 3.29710
Small Triangular Podium



Order No. 3.29740
Big Triangular Podium

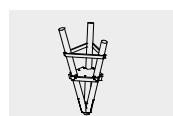


Safety distance →
Device dimensions ●
Functional distance —



Scale 1:100

Safety check according to DIN EN 1176



3.29700



3.29710



3.29740

Technical information

Equipment made of non-impregnated mountain larch

Peeled white

Palisades peeled white means that bark, cambium and sapwood are removed, the natural shape of the trunk is preserved and can be experienced



Core-free

Sawn-timbers core-free, thus decreasing occurrences of cracking and undesired changes in shape



Tongue and groove

Tongue and groove planks made of 4 cm solid wood, highly resilient, no trickling of dust / sand, protection against direct rain



Ground anchor

All parts used for anchoring to the ground are made of hot-dip galvanised steel or stainless steel



For more detailed explanation of the quality characteristics see price list.

Dimensions

(small deviations possible)

Order No. 3.29700

Middle Triangular Podium

Height	3.20 m
Floor height	1.50 m
Weight	250 kg

Order No. 3.29710

Small Triangular Podium

Height	2.70 m
Floor height	1.00 m
Weight	220 kg

Order No. 3.29740

Big Triangular Podium

Height	3.70 m
Floor height	2.00 m
Weight	290 kg

Components

1 Wooden construction with steel foot

Installation information

Surfacing requirements corresponding to a fall height of

Order No. 3.29700 ≤ 1.50 m

Order No. 3.29710 ≤ 1.00 m

Order No. 3.29740 ≤ 2.00 m

(please refer to price list for more detailed information)

Foundations

Order No. 3.29700

1 item 120 x 120 x 60 cm
Excavation depth 100 cm

Order No. 3.29710

1 item 100 x 100 x 60 cm
Excavation depth 100 cm

Order No. 3.29740

1 item 120 x 120 x 60 cm
Excavation depth 100 cm

Attention:

Exact measurements may vary, for all installation dimensions refer to current installation instructions.

Technical changes reserved.