



Play value

The whole body is used here. Physical well-being is soon experienced. At the beginning it is not easy to understand what happens when two people swing on the partner swing. Enjoyment comes with the discovery that when one person swings, the other, without having to do anything, also swings. However it can also happen that in spite of great effort someone does not start to swing. And that only makes the enjoyment even greater when on the connected system of coupled swinging, the swing momentum returns powerfully.

Recommended for

- School children
- Young people
- Supervised play areas, such as schools, after-school programmes or similar



Pyramid Partner Swing

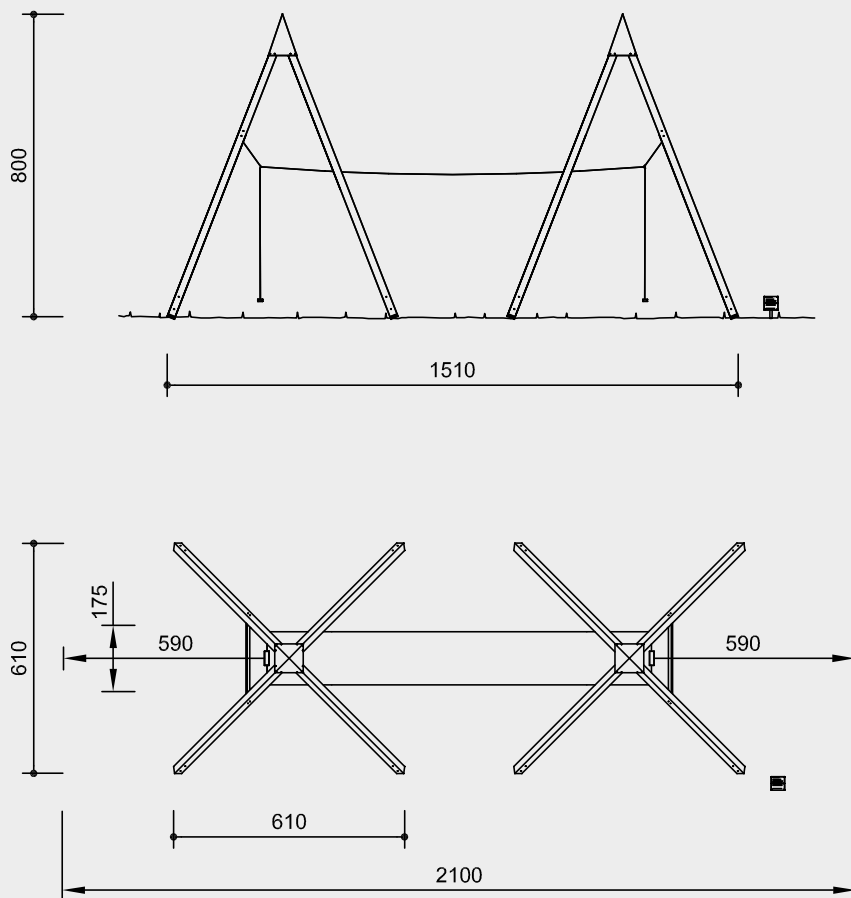
Vandalism	not vulnerable
Supervision	recommended
Explanation Board	included
Installation	outdoors
Safety check (DIN EN 1176)	has been completed
Installation in concrete	not possible



10.93000

Order No. 10.93000
Pyramid Partner Swing

Safety distance 
 Device dimensions 
 Functional distance 



Scale 1:200

Safety check according to DIN EN 1176

Components

- 1 Complete swing frame with swing suspension and steel feet
- 1 Explanation Board with support for dowelling and 4 heavy duty anchors

Trademark

30 2005 500 000 Germany
 40-0682207 South Korea

Installation information

Surfacing requirements corresponding to a fall height of ≤ 3.00 m (please refer to price list for more detailed information)

Foundations
 8 items 80 x 80 x 60 cm
 Excavation depth 80 cm
Explanation Board
 1 item 40 x 40 x 40 cm
 Excavation depth 60 cm

Attention:
Exact measurements may vary, for all installation dimensions refer to current installation instructions.
 Technical changes reserved.

Technical information

Beams made of laminated mountain larch, glued according to EN 14080:2013

Laminated wood beams

Laminated wood beams made of non-impregnated larch, glued according to EN 14080:2013; for very large timber cross-sections; comparatively low shrinkage, almost completely free of cracks



Swing seat

Ergonomically shaped swing seat made of rubber with soft shock absorbing edge. Durable due to strong profiled steel insert



Double rope connection

Connection for complicated swing and swivel motion



Ground anchor

All parts used for anchoring to the ground are made of hot-dip galvanized steel or stainless steel



Chains

Chains made of hot-dip galvanized steel (1.4301 / 1.4571 at extra charge) welded before galvanising, short-linked, without eyelets on the connecting parts, easy to exchange and shorten



For more detailed explanation of the quality characteristics see price list.

Joints and suspension hot-dip galvanized

Connecting ropes made of PP rope, \varnothing 16 mm, 3 strands, weather-resistant, standard colour: natural

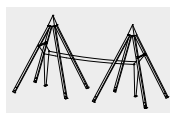
Top of stainless steel

Support for Explanation Board made of stainless steel

Dimensions

(small deviations possible)

For one pyramid	
Height	8.00 m
Length	6.10 m
Length total	15.10 m
Width	6.10 m
Weight total	2.000 kg



10.93000