

Play value

During development of the embryo, the ear helps to regulate and balance the bodily functions between the mother and the unborn child. After birth the ear carries on its regulating function as a balancing organ. Due to lack of exercise and movement this ability can become retarded in many people. This can be experienced by standing on the Balancing Board and closing the eyes. You have to „hold on“ with your eyes. Maintaining balance on the Balancing Boards therefore is a game which promotes the activity of the individual organ at the same time as it revitalises for the whole body. It promotes balance for the individual as well as in relationship with others and the environment. The connection between the functions of hearing and balancing becomes clear if participants try to balance in an extremely sound-proofed chamber. It can only be done with difficulty. The Balancing Boards can also be used for therapeutic purposes where the Balancing Discs provide the experience of balance and loss of balance.



Order No. 10.71100 / 10.71200 Small Balancing Discs

**Small Balancing Board
Small Balancing Discs**

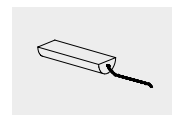
Recommended for

- Kindergarten children
- School children
- Young people
- Supervised play areas, such as kindergartens, schools, after-school programmes or similar
- Public play areas without supervision, such as playgrounds, parks or similar



Order No. 10.71200 Small Balancing Disc

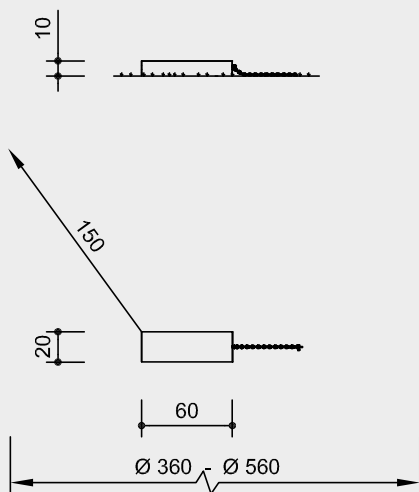
Vandalism	not vulnerable
Supervision	not necessary
Explanation Board	not necessary
Installation	indoors and outdoors
Safety check (DIN EN 1176)	standard compliant
Installation in concrete	possible



10.71000

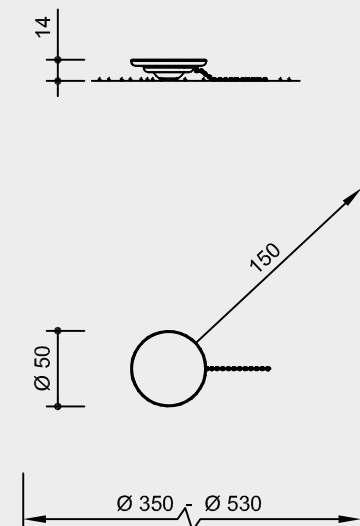
10.71100 / 10.71200

Order No. 10.71000
Small Balancing Board

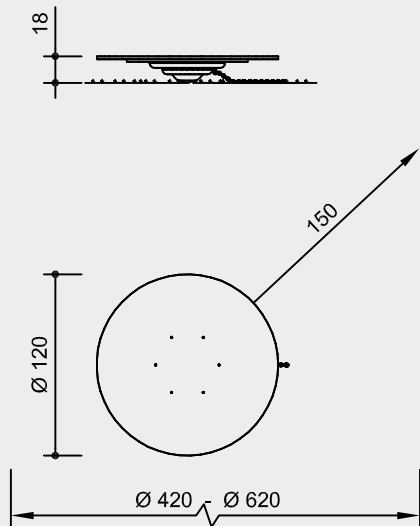


Safety distance →
 Device dimensions —●—
 Functional distance —|—

Order No. 10.71100
Small Balancing Disc
 for 1 Person



Order No. 10.71200
Small Balancing Disc
 for 2 - 3 Persons



Scale 1:50

Technical information

Balancing block made of solid ash wood with anti-slip tread

Core-free

Sawn-timbers core-free, thus decreasing occurrences of cracking and undesired changes in shape



Ground anchor

All parts used for anchoring to the ground are made of hot-dip galvanised steel or stainless steel



For more detailed explanation of the quality characteristics see price list.

Balancing disc made of waterproof bonded plywood with anti-slip tread and solid waterproof bonded ash wood

Secured against theft by ground fastening with rotating joint made of stainless steel, ground anchor and galvanised, close-link chain twist-proof

Dimensions

(small deviations possible)

Order No. 10.71000
Small Balancing Board

Length	0.60 m
Width	0.20 m
Height	0.10 m
Weight	10 kg

Order No. 10.71100
Small Balancing Disc

Diameter	0.50 m
Height	0.14 m
Weight	15 kg

Order No. 10.71200
Small Balancing Disc

Diameter	1.20 m
Height	0.18 m
Weight	25 kg

Attention:

Exact measurements may vary; for all installation dimensions refer to current assembly instructions.
 Technical changes reserved.

Components

Order No. 10.71000

1 Small Balancing Board including chain and fastening material

Order No. 10.71100

1 Small Balancing Disc for 1 person including chain and fastening material

Order No. 10.71200

1 Small Balancing Disc for 2 - 3 persons including chain and fastening material

Trademark

30 2005 500 000 Germany
 40-0682207 South Korea

Explanation board on request

Installation information

Surfacing requirements corresponding to a fall height of ≤ 0.60 m (please refer to price list for more detailed information)

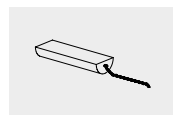
Recommended space with safety distance

Order No. 10.71000
 with chain Ø 5.60 m
 without chain Ø 3.60 m

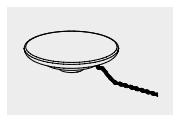
Order No. 10.71100
 with chain Ø 5.30 m
 without chain Ø 3.50 m

Order No. 10.71200
 with chain Ø 6.20 m
 without chain Ø 4.20 m

Foundations
 1 item 30 x 30 x 20 cm
 Excavation depth 50 cm



10.71000



10.71100 / 10.71200