

**Play value**

The Sound Arch which consists of 5 wooden sound tubes can be played from both sides at the same time. This has the effect of particularly encouraging the participants to play together and listen to each other.

**Recommended for**

- Kindergarten children
- School children
- Young people
- Adults
- Older people
- Supervised play areas such as kindergartens, schools, after school programmes or similar
- Public play areas without supervision such as playgrounds, parks or similar

**Barrier-free**

- Independent play



**Sound Arch**

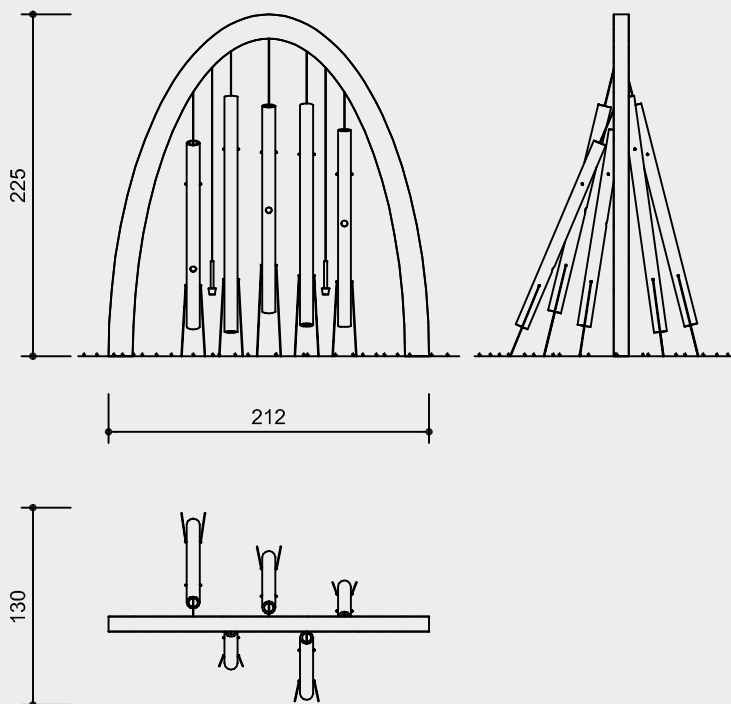
Acoustic effect	soft
Vandalism	slightly vulnerable
Supervision	not necessary
Explanation Board	not necessary
Installation	indoors and outdoors
Safety check (DIN EN 1176)	not necessary
Installation in concrete	possible



10.53200

**Order No. 10.53200**  
**Sound Arch**

Safety distance →  
Device dimensions ●  
Functional distance —



Scale 1:50

**Technical information**

Bow made of non-impregnated mountain larch

**Core-free**

Sawn-timbers core-free, thus decreasing occurrences of cracking and undesired changes in shape



**Laminated wood beams**

Laminated wood beams made of non-impregnated larch, glued according to EN 14080:2013; for very large timber cross-sections; comparatively low shrinkage, almost completely free of cracks



**Ground anchor**

All parts used for anchoring to the ground are made of hot-dip galvanised steel or stainless steel



**For more detailed explanation of the quality characteristics see price list.**

Special suspension with low vibration absorption made of stainless steel and brass

Beater with rubber head, suspension made of stainless steel cable

Binary sound tubes of milled and turned cherry wood bonded together

**Components**

- 1 Wooden bow with steel feet for dowelling
- 5 Sound tubes with tensioning cables and base plates for dowelling each, with 18 heavy duty anchors
- 2 Beaters

**Trademark**

30 2005 500 000 Germany  
40-0682207 South Korea

Explanation board on request

**Installation information**

Recommended space  
4.50 x 3.00 m

Foundations  
2 items 50 x 50 x 50 cm  
Excavation depth 70 cm  
1 item 175 x 30 x 30 cm  
Excavation depth 50 cm  
1 item 100 x 30 x 30 cm  
Excavation depth 50 cm

**Attention:**

**Exact measurements may vary; for all installation dimensions refer to current assembly instructions.**

Technical changes reserved.

**Dimensions**

(small deviations possible)

Height	2.25 m
Width	2.12 m
Depth	1.30 m
Weight	110 kg



**10.53200**