



Play value

If you look through the prism in daylight the most wonderful colours can be seen: red, orange, yellow, green, blue, indigo, violet. Smaller dark objects in the surrounding area appear to be totally colourful, lines look as if they are curved, and, in the boundary between sunlit and shadowed areas, coloured fringes appear. Because the light does not pass through the prism in a straight line it is possible to transpose the image of the dark surface over that of the light surface by turning the prism. The brightness of light and the shadows of dark are seen as the source of all colour appearances. The figure on the explanation board includes in delivery makes it easier to find the optimal spot.

Recommended for

- School children
- Young people
- Adults
- Older people
- Public play areas without supervision, such as playgrounds, parks or similar

Barrier-free

- Independent play

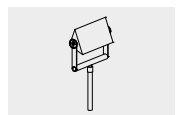


Photo © Valentin Luthiger



Water Prism

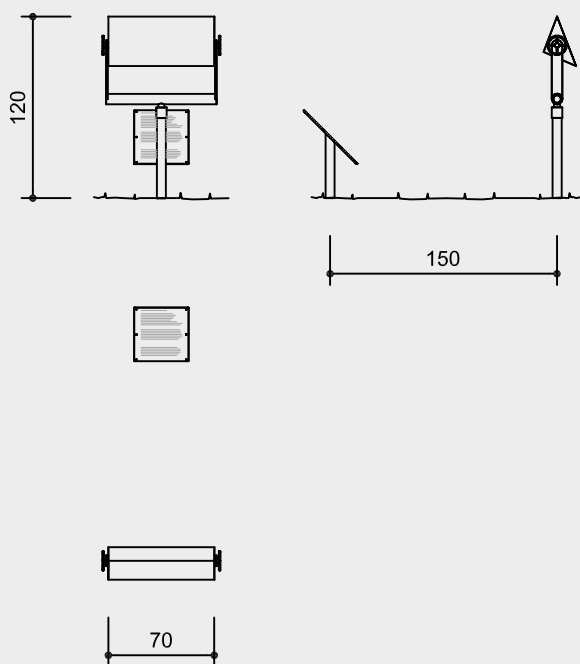
Vandalism	vulnerable in non-supervised areas
Supervision	not necessary
Explanation Board	included
Installation	indoors and outdoors
Safety check (DIN EN 1176)	not necessary
Installation in concrete	possible



10.31000

Order No. 10.31000
Water Prism

Safety distance 
 Device dimensions 
 Functional distance 



Scale 1:50

Technical information

Equipment made of stainless steel

Ground anchor

All parts used for anchoring to the ground are made of hot-dip galvanised steel or stainless steel



For more detailed explanation of the quality characteristics see price list.

Large-format acrylic glass prism on vertically and horizontally rotatable stainless steel support

Special algae-free glycol mixture, frostproof to approx. -25° C

Support for Explanation Board made of stainless steel

Dimensions

(small deviations possible)

Height		1.20 m
Prism	0.70 x 0.35 x 0.25 m	
Weight		80 kg

Components

- 1 Complete piece of equipment
- 1 Explanation Board with support for dowelling and 4 heavy duty anchors

Trademark

30 2005 500 000 Germany
 40-0682207 South Korea

Installation information

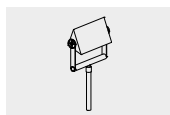
Recommended space
 circle diameter 3.00 m

Foundations
 2 items 40 x 40 x 40 cm
 Excavation depth 60 cm

Attention:

Exact measurements may vary; for all installation dimensions refer to current assembly instructions.

Technical changes reserved.



10.31000